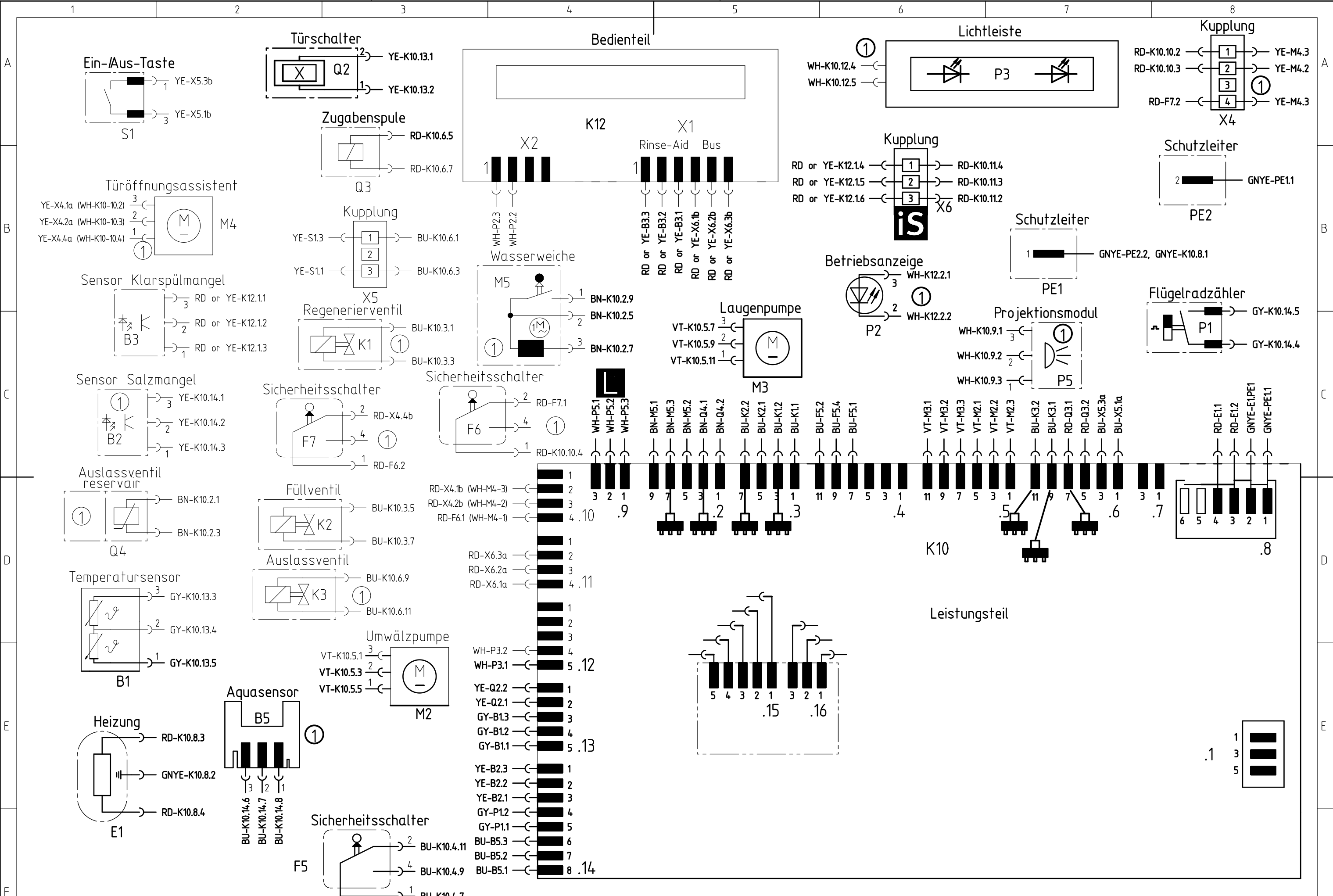


Intended changes opposing release specimen or specification offer must be advised in time and may only be introduced following written clearance. Deviating designs will be refused.

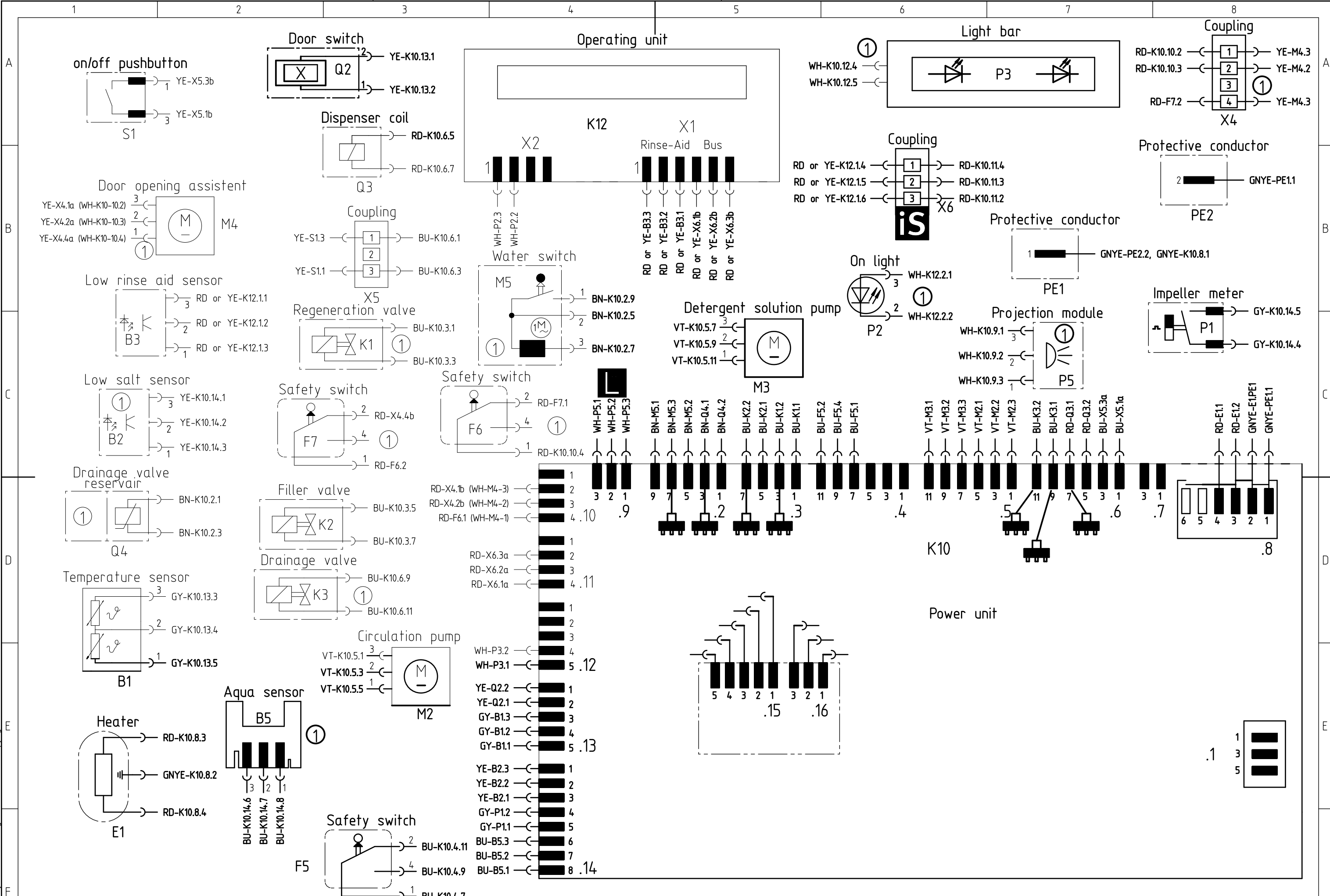
The reproduction, transmission or use of this document or its contents is not permitted without express authority. Offenders will be liable for damages. All rights including rights created by patent grant or registration of a utility model or design are reserved. Copyright reserved.



① je nach Ausstattung vorhanden

Intended changes opposing release specimen or specification offer must be advised in time and may only be introduced following written clearance. Deviating designs will be refused.

 The reproduction, transmission or use of this document or its contents is not permitted without express authority. Offenders will be liable for damages. All rights including rights created by patent grant or registration of a utility model or design are reserved. Copyright reserved.



① Fitted depending on features

Designation Connection Diagram 640 / 440 LM3 Basis-L	LCS EN	Document No. 5600 0001187833	Rev C	Sheet-No. 1 of 1
		Material No. 9000809147		