

Parts Catalog

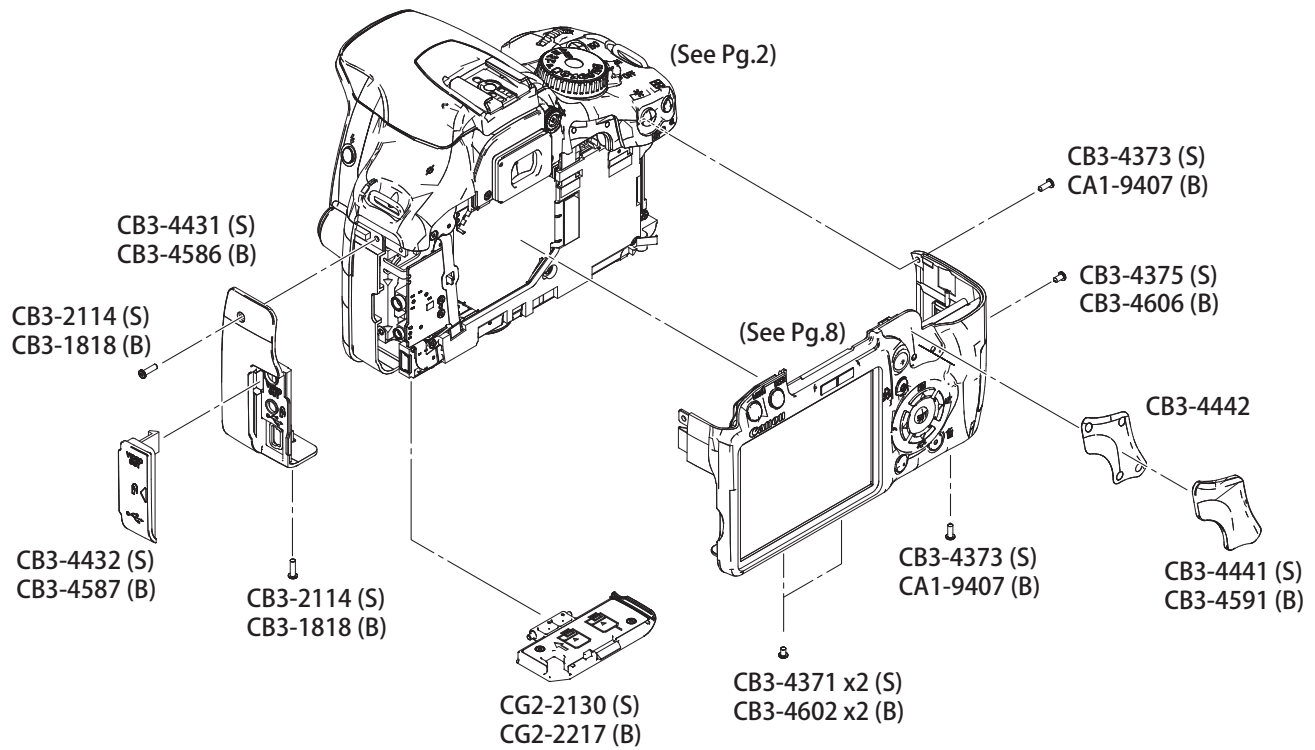
Canon

**EOS KISS X2
EOS DIGITAL REBEL XSi
EOS 450D**

**REF. NO. C12-6182
C12-6183, 4
C12-6185, 6**

PARTS CATALOG

CANON DIGITAL CAMERA EOS KISS X2
EOS DIGITAL REBEL XSi
EOS 450D

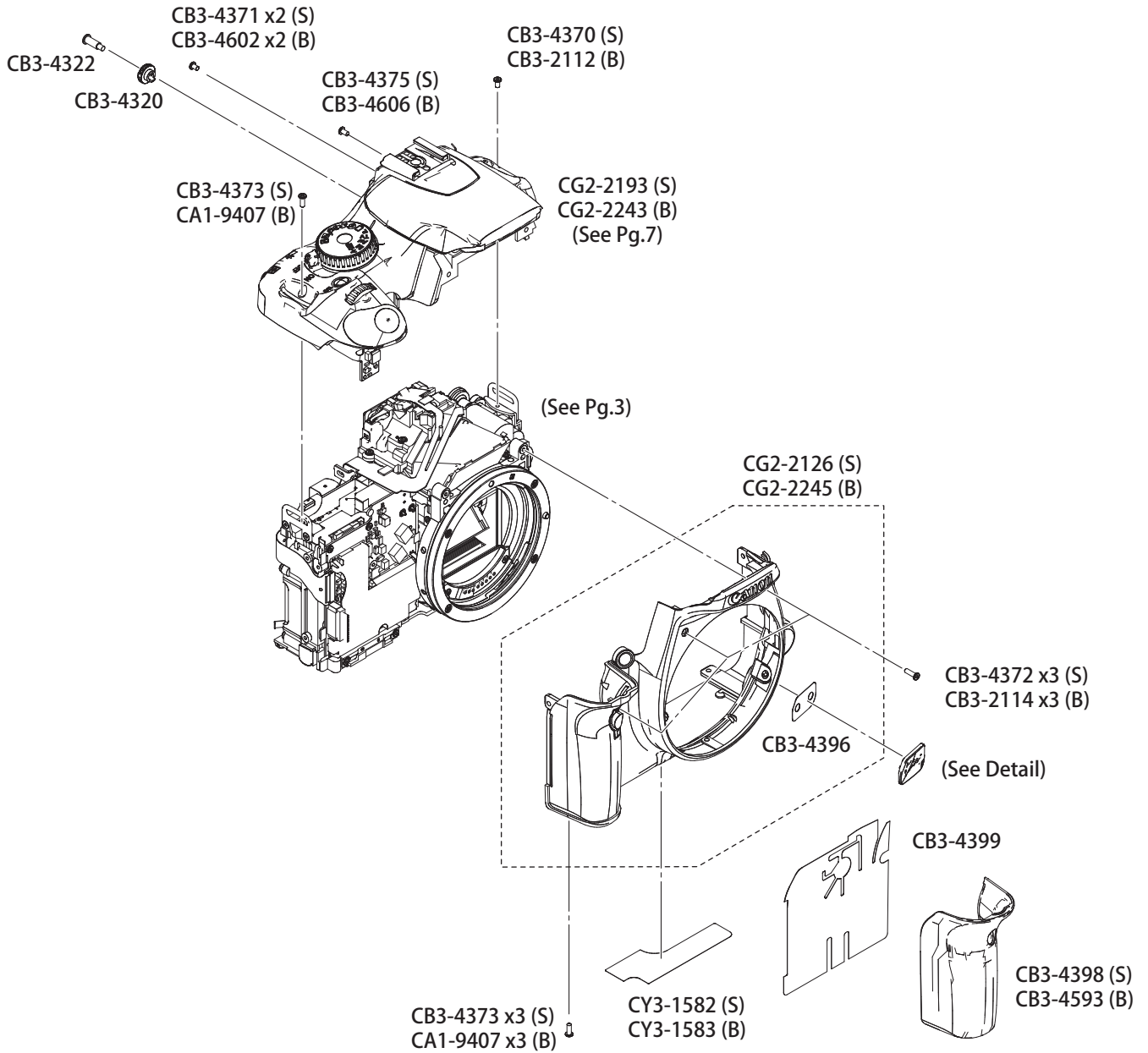


P A R T S L I S T

REF. NO. C12-6182
 C12-6183, 4
 C12-6185, 6

NEW	PARTS NO.	CLASS	QTY	DESCRIPTION
	CA1-9407-000 000	F	2	SCREW, CROSS-RECESS, PH
	CB3-1818-000 000	F	2	SCREW
	CB3-2114-000 000	F	2	SCREW
*	CB3-4371-000 000	C	2	SCREW, M1.7X2.5 (SILVER)
*	CB3-4373-000 000	C	2	SCREW, M1.7X5 (SILVER)
*	CB3-4375-000 000	C	1	SCREW, M1.7X3.5 (SILVER)
*	CB3-4431-000 000	C	1	COVER, I/F TERMINAL (SILVER)
*	CB3-4432-000 000	C	1	CAP, I/F TERMINAL (SILVER)
*	CB3-4441-000 000	B	1	COVER, BACK HOLDING (SILVER)
*	CB3-4442-000 000	B	1	TAPE, DOUBLE SIDE (BACK)
*	CB3-4586-000 000	C	1	COVER, I/F TERMINAL (BLACK)
*	CB3-4587-000 000	C	1	CAP, I/F TERMINAL (BLACK)
*	CB3-4591-000 000	B	1	COVER, BACK HOLDING (BLACK)
*	CB3-4602-000 000	C	2	SCREW, M1.7X2.5 (BLACK)
*	CB3-4606-000 000	C	1	SCREW, M1.7X3.5 (BLACK)
*	CG2-2130-000 000	B	1	COVER ASS'Y, BATTERY (SILVER)
*	CG2-2217-000 000	B	1	COVER ASS'Y, BATTERY (BLACK)

CANON DIGITAL CAMERA EOS KISS X2
EOS DIGITAL REBEL XSi
EOS 450D



Detail

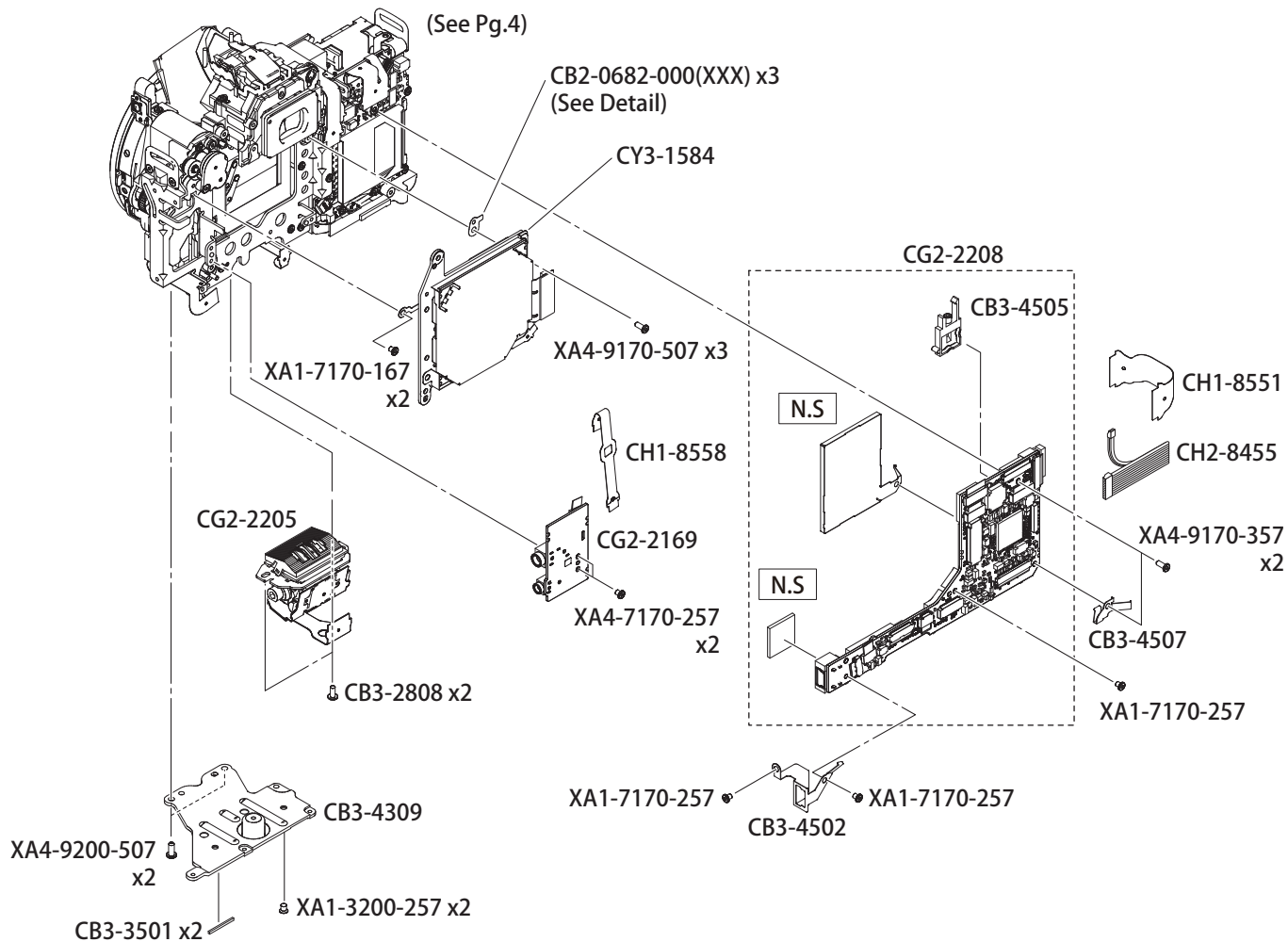
	SILVER	BLACK
EOS KISS X2	—	CB3-4594
EOS DIGITAL REBEL XSi	CB3-4751	CB3-4752
EOS 450D	CB3-4753	CB3-4754

P A R T S L I S T

REF. NO. C12-6182
 C12-6183, 4
 C12-6185, 6

NEW	PARTS NO.	CLASS	QTY	DESCRIPTION
	CA1-9407-000 000	F	4	SCREW, CROSS-RECESS, PH
	CB3-2112-000 000	F	1	SCREW
	CB3-2114-000 000	F	3	SCREW
*	CB3-4320-000 000	C	1	DIAL, DIOPTER ADJUSTING
*	CB3-4322-000 000	C	1	SCREW, SHAFT M2X8.9
*	CB3-4370-000 000	C	1	SCREW, M1.7X3 (SILVER)
*	CB3-4371-000 000	C	2	SCREW, M1.7X2.5 (SILVER)
*	CB3-4372-000 000	C	3	SCREW, M1.7X6 (SILVER)
*	CB3-4373-000 000	C	4	SCREW, M1.7X5 (SILVER)
*	CB3-4375-000 000	C	1	SCREW, M1.7X3.5 (SILVER)
*	CB3-4396-000 000	B	1	TAPE, DOUBLE SIDE (NAME)
*	CB3-4398-000 000	B	1	COVER, GRIP HOLDING (SILVER)
*	CB3-4399-000 000	B	1	TAPE, DOUBLE SIDE (GRIP)
*	CB3-4593-000 000	B	1	COVER, GRIP HOLDING (BLACK)
*	CB3-4594-000 000	C	1	PLATE, NAME JAPAN (BLACK)
*	CB3-4602-000 000	C	2	SCREW, M1.7X2.5 (BLACK)
*	CB3-4606-000 000	C	1	SCREW, M1.7X3.5 (BLACK)
*	CB3-4751-000 000	C	1	PLATE, NAME USA (SILVER)
*	CB3-4752-000 000	C	1	PLATE, NAME USA (BLACK)
*	CB3-4753-000 000	C	1	PLATE, NAME EURO (SILVER)
*	CB3-4754-000 000	C	1	PLATE, NAME EURO (BLACK)
*	CG2-2126-000 000	B	1	COVER ASS'Y, FRONT (SILVER)
*	CG2-2193-000 000	B	1	COVER ASS'Y TOP (SILVER)
*	CG2-2243-000 000	B	1	COVER ASS'Y, TOP (BLACK)
*	CG2-2245-000 000	B	1	COVER ASS'Y, FRONT (BLACK)
*	CY3-1582-000 000	C	1	LABEL, BODY NUMBER (SILVER)
*	CY3-1583-000 000	C	1	LABEL, BODY NUMBER (BLACK)

CANON DIGITAL CAMERA EOS KISS X2
EOS DIGITAL REBEL XSi
EOS 450D



CB2-0682-000 (XXX) Detail

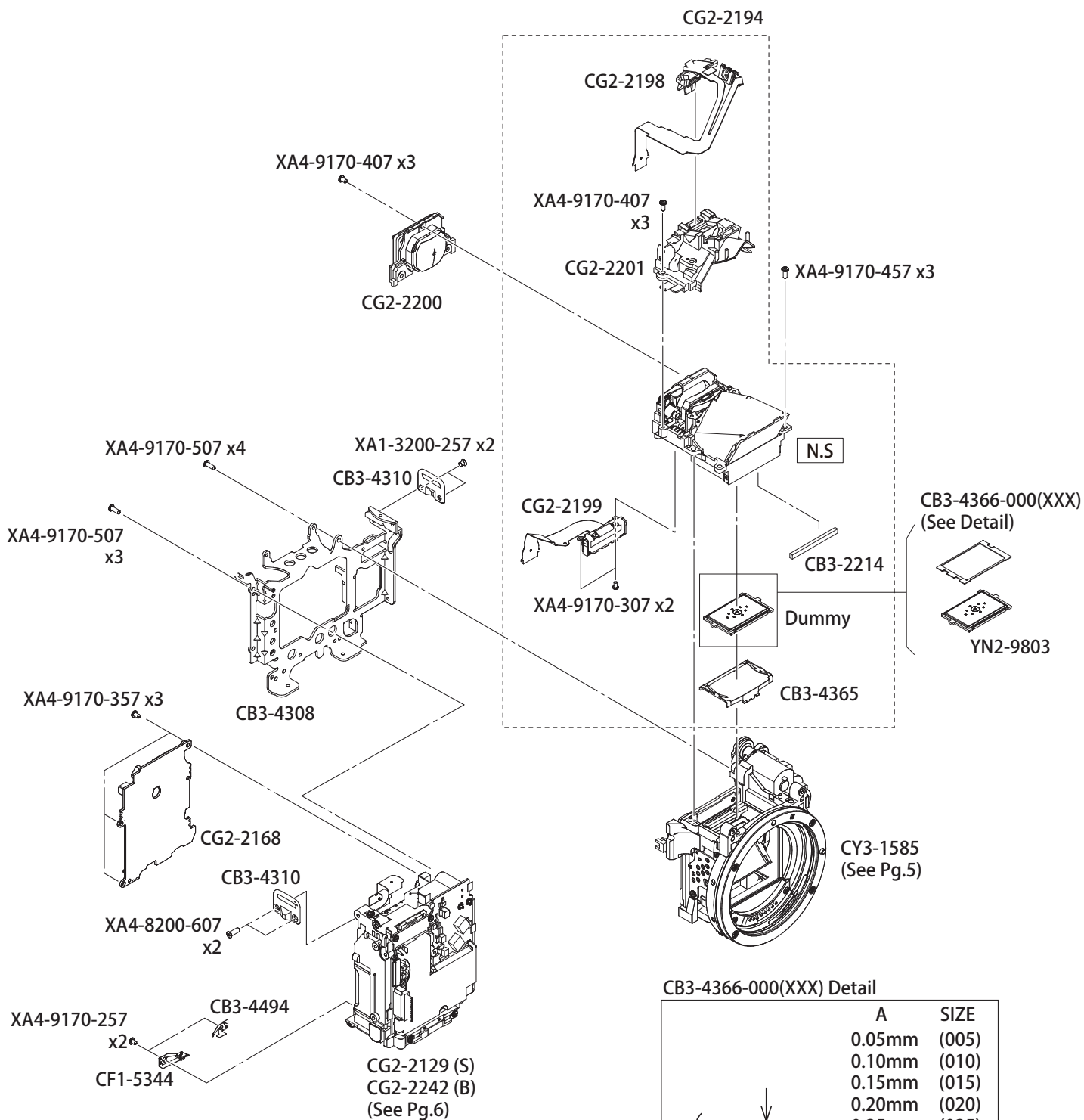
A	SIZE
0.03mm	(003)
0.05mm	(005)
0.08mm	(008)
0.10mm	(010)
0.12mm	(012)
0.15mm	(015)
0.18mm	(018)
0.20mm	(020)
0.25mm	(025)
0.30mm	(030)
0.35mm	(035)

P A R T S L I S T

REF. NO. C12-6182
 C12-6183, 4
 C12-6185, 6

NEW	PARTS NO.	CLASS	QTY	DESCRIPTION
	CB2-0682-000 (XXX)	C	3	WASHER, FB ADJ.
	CB3-2808-000 000	C	2	SCREW
	CB3-3501-000 000	C	2	SEAL, BOTTOM
*	CB3-4309-000 000	C	1	PLATE, TRIPOD SOCKET
*	CB3-4502-000 000	C	1	PLATE, SHIELD (USB)
*	CB3-4505-000 000	C	1	HOLDER, FIBER CABLE
*	CB3-4507-000 000	C	1	PLATE, GND
*	CG2-2169-000 000	B	1	PCB ASS'Y, I/F
*	CG2-2205-000 000	C	1	FPC ASS'Y, AF
*	CG2-2208-000 000	B	1	PCB ASS'Y, MAIN
*	CH1-8551-000 000	C	1	FPC, DCST-M
*	CH1-8558-000 000	C	1	FPC, I/F-M
*	CH2-8455-000 000	C	1	WIRE, LEAD MAIN-DCST & ASD
*	CY3-1584-000 000	B	1	CMOS SENSOR ASS'Y
	XA1-3200-257 000	F	2	SCREW
	XA1-7170-167 000	F	2	SCREW, CROSS-RECESS, PH
	XA1-7170-257 000	F	3	SCREW, CROSS-RECESS, PH
*	XA4-7170-257 000	F	2	SCREW, CROSS-RECESS, PH
	XA4-9170-357 000	F	2	SCREW, CROSS-RECESS, PH
	XA4-9170-507 000	F	3	SCREW, CROSS-RECESS, PH
	XA4-9200-507 000	F	2	SCREW, CROSS-RECESS, PH S

CANON DIGITAL CAMERA EOS KISS X2
EOS DIGITAL REBEL XSi
EOS 450D



CB3-4366-000(XXX) Detail

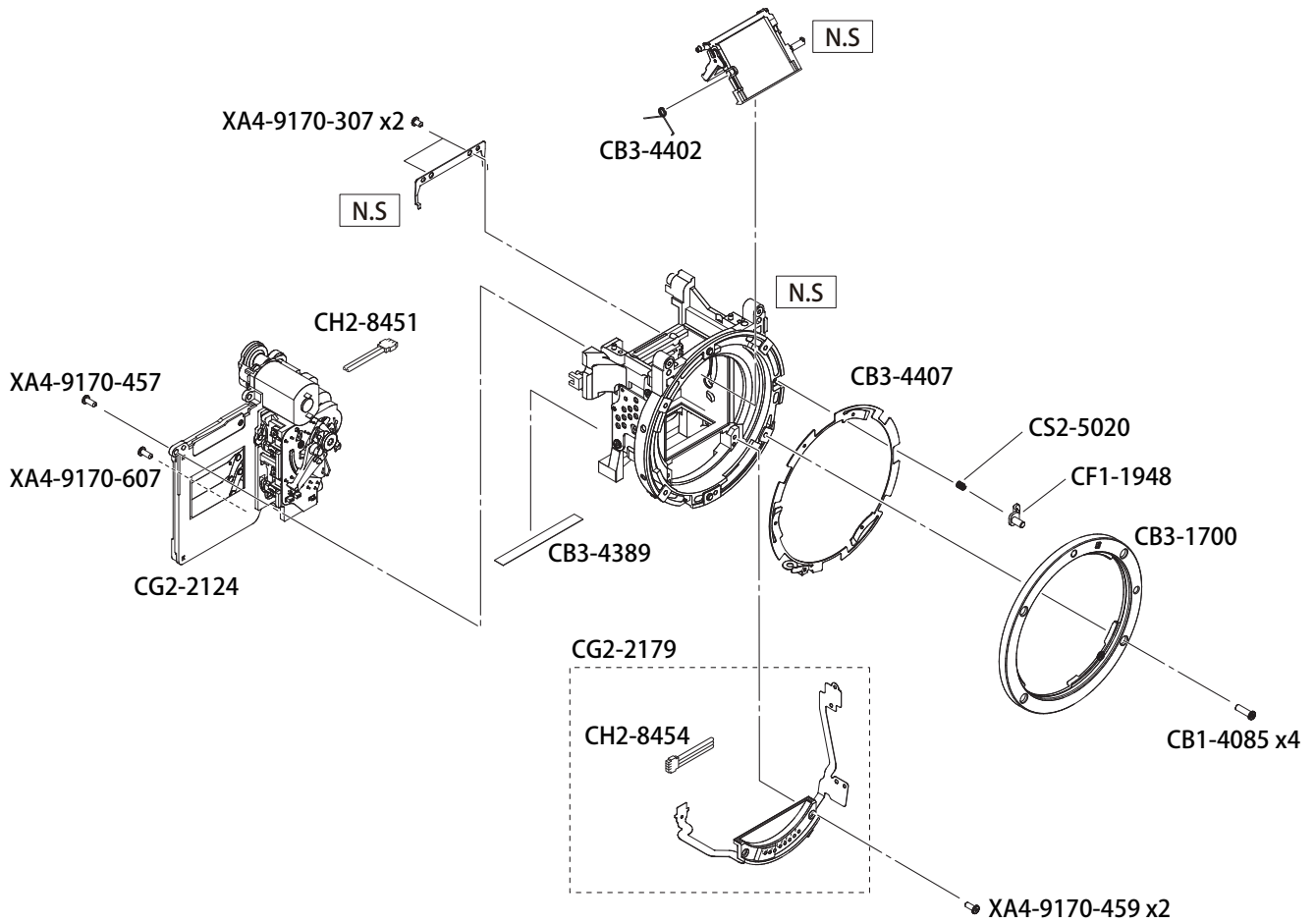
A	SIZE
0.05mm	(005)
0.10mm	(010)
0.15mm	(015)
0.20mm	(020)
0.25mm	(025)
0.30mm	(030)
0.35mm	(035)
0.40mm	(040)
0.45mm	(045)
0.50mm	(050)

P A R T S L I S T

REF. NO. C12-6182
 C12-6183, 4
 C12-6185, 6

NEW	PARTS NO.	CLASS	QTY	DESCRIPTION
	CB3-2214-000 000	C	1	CUSHION, MIRROR
*	CB3-4308-000 000	C	1	PLATE, MAIN BODY
*	CB3-4310-000 000	C	2	HOLDER, STRAP
*	CB3-4365-000 000	C	1	SPRING, FOCUSING SCREEN
*	CB3-4366-000 (XXX)	C	1	WASHER, FINDER BACK ADJ.
*	CB3-4494-000 000	C	1	CONTACT, BATTERY COVER
*	CF1-5344-000 000	C	1	CONTACT ASS'Y, BATTERY COVER
*	CG2-2129-000 000	B	1	PCB ASS'Y, BOX W/LI BATTERY, S
*	CG2-2168-000 000	B	1	PCB ASS'Y, ASD
*	CG2-2194-000 000	C	1	FINDER ASS'Y
*	CG2-2198-000 000	B	1	FPC ASS'Y, AE/SI
*	CG2-2199-000 000	C	1	FPC ASS'Y, ILC
*	CG2-2200-000 000	B	1	COVER ASS'Y, EYEPIECE
*	CG2-2201-000 000	C	1	HOLDER ASS'Y, AE/SI
*	CG2-2242-000 000	B	1	PCB ASS'Y, BOX W/LI BATTERY, B
*	CY3-1585-000 000	B	1	MIRROR BOX ASS'Y
	XA1-3200-257 000	F	2	SCREW
*	XA4-8200-607 000	F	2	SCREW
	XA4-9170-257 000	F	2	SCREW, CROSS-RECESS, PH
	XA4-9170-307 000	F	2	SCREW, CROSS-RECESS, PH
	XA4-9170-357 000	F	3	SCREW, CROSS-RECESS, PH
	XA4-9170-407 000	F	6	SCREW, CROSS-RECESS, PH
	XA4-9170-457 000	F	3	SCREW, CROSS-RECESS, PH
	XA4-9170-507 000	F	7	SCREW, CROSS-RECESS, PH
*	YN2-9803-000 000	B	1	SCREEN, FOCUSING

CANON DIGITAL CAMERA EOS KISS X2
EOS DIGITAL REBEL XSi
EOS 450D

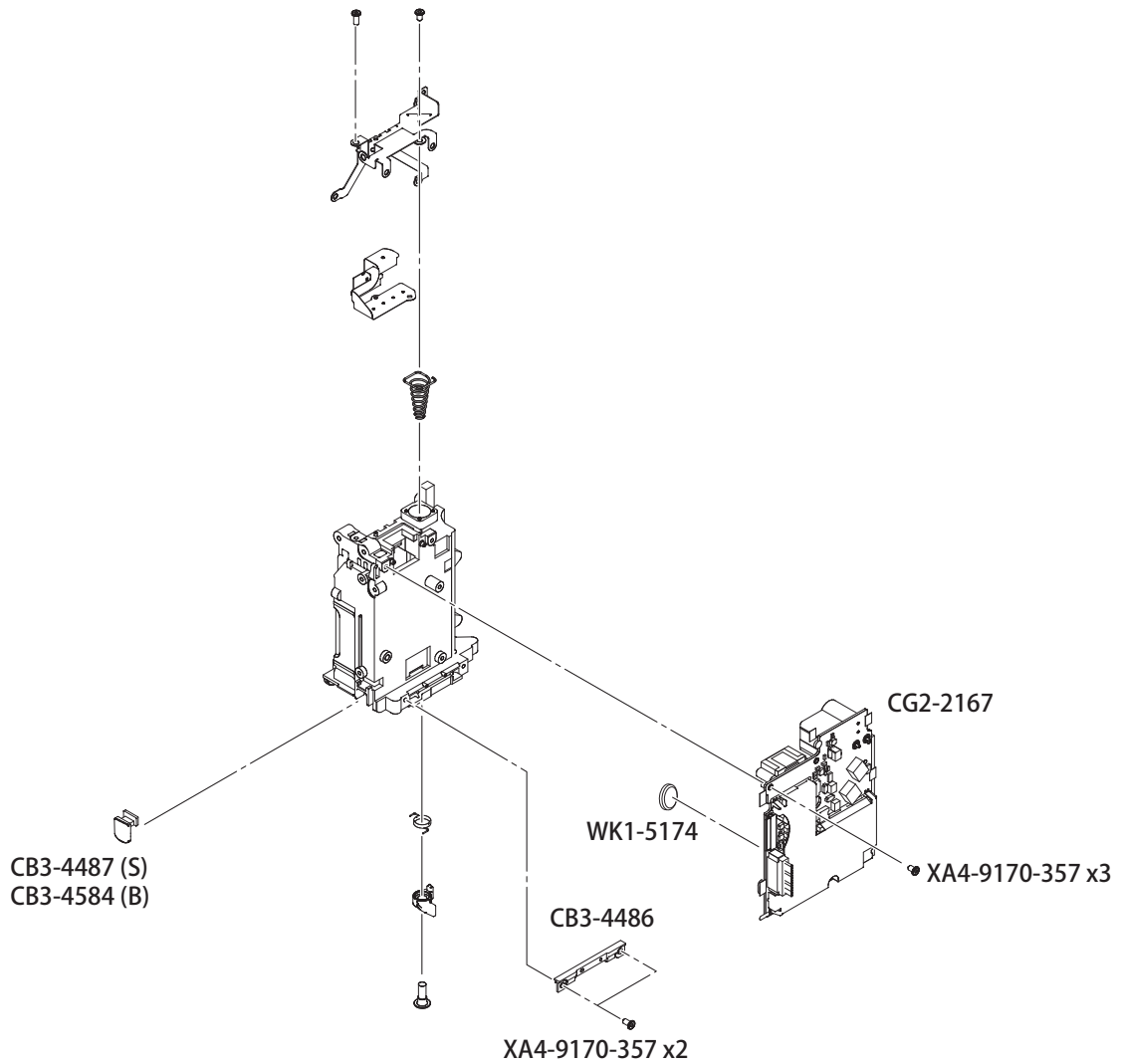


P A R T S L I S T

REF. NO. C12-6182
 C12-6183, 4
 C12-6185, 6

NEW	PARTS NO.	CLASS	QTY	DESCRIPTION
	CB1-4085-000 000	C	4	SCREW, M2X6.5
	CB3-1700-000 000	C	1	MOUNT
*	CB3-4389-000 000	B	1	TAPE, SHUTTER DUST
*	CB3-4402-000 000	C	1	SPRING, MIRROR
*	CB3-4407-000 000	C	1	SPRING, MOUNT
	CF1-1948-000 000	C	1	LENS LOCK PIN ASS'Y
*	CG2-2124-000 000	B	1	SHUTTER ASS'Y
*	CG2-2179-000 000	C	1	CONTACT ASS'Y, MOUNT
*	CH2-8451-000 000	C	1	WIRE, LEAD MOTOR
*	CH2-8454-000 000	C	1	WIRE, LEAD MOUNT CONTACT
	CS2-5020-000 000	C	1	SPRING, COIL
	XA4-9170-307 000	F	2	SCREW, CROSS-RECESS, PH
	XA4-9170-457 000	F	1	SCREW, CROSS-RECESS, PH
	XA4-9170-459 000	F	2	SCREW, CROSS-RECESS, PH
	XA4-9170-607 000	F	1	SCREW, CROSS-RECESS, PH

CANON DIGITAL CAMERA EOS KISS X2
EOS DIGITAL REBEL XSi
EOS 450D



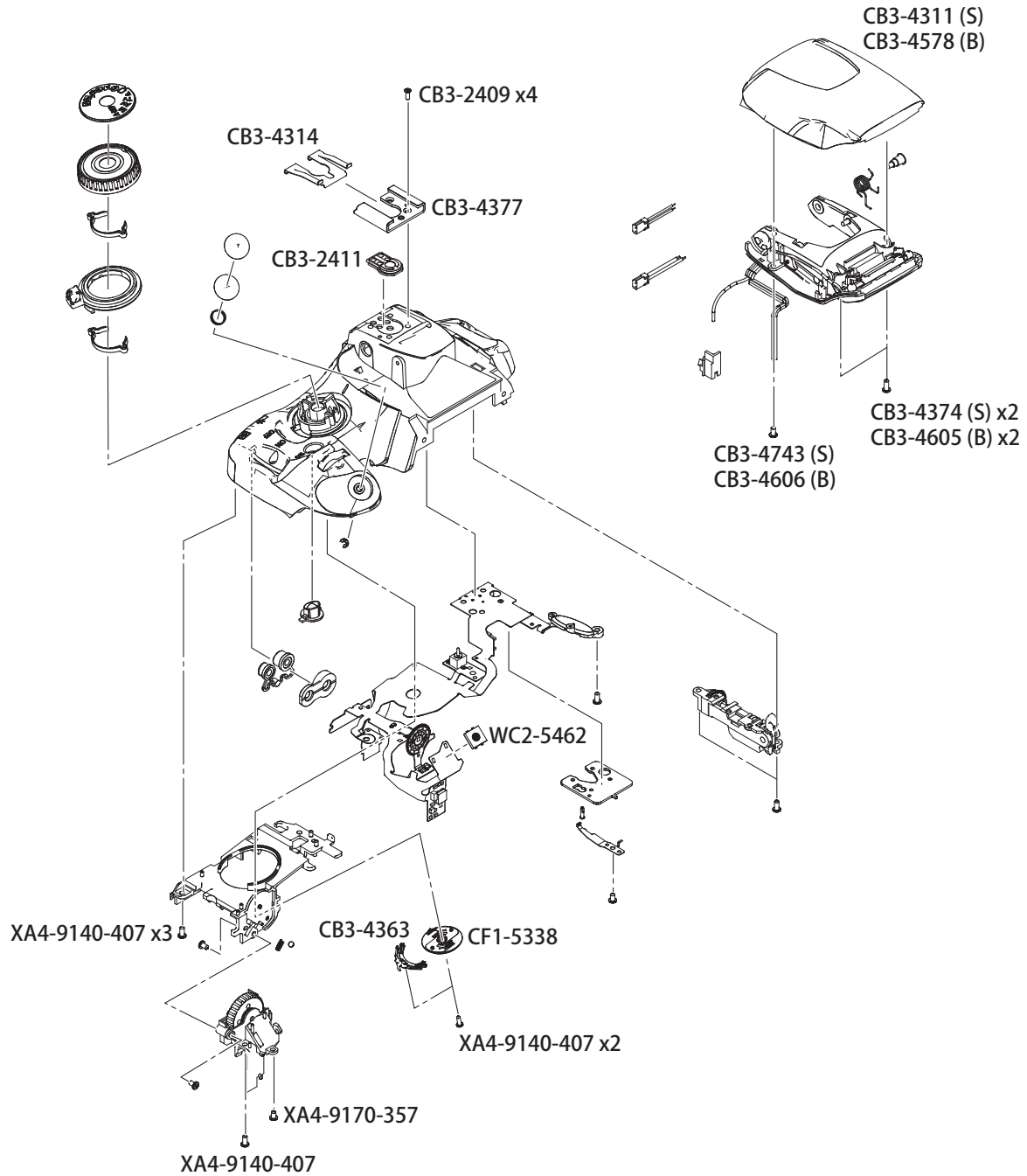
Those parts illustrated without parts numbers are **[N.S.]** parts.
部品番号が記載されていないイラストは全て **[N.S.]** 部品です。

PARTS LIST

REF. NO. C12-6182
C12-6183, 4
C12-6185, 6

NEW	PARTS NO.	CLASS	QTY	DESCRIPTION
*	CB3-4486-000 000	C	1	HOLDER, BATTERY COVER
*	CB3-4487-000 000	C	1	COVER, CABLE (SILVER)
*	CB3-4584-000 000	C	1	COVER, CABLE (BLACK)
*	CG2-2167-000 000	B	1	PCB ASS'Y, DCST
*	WK1-5174-000 000	N	1	BATTERY, LITHIUM <2ND>
	XA4-9170-357 000	F	5	SCREW, CROSS-RECESS, PH

CANON DIGITAL CAMERA EOS KISS X2
EOS DIGITAL REBEL XSi
EOS 450D



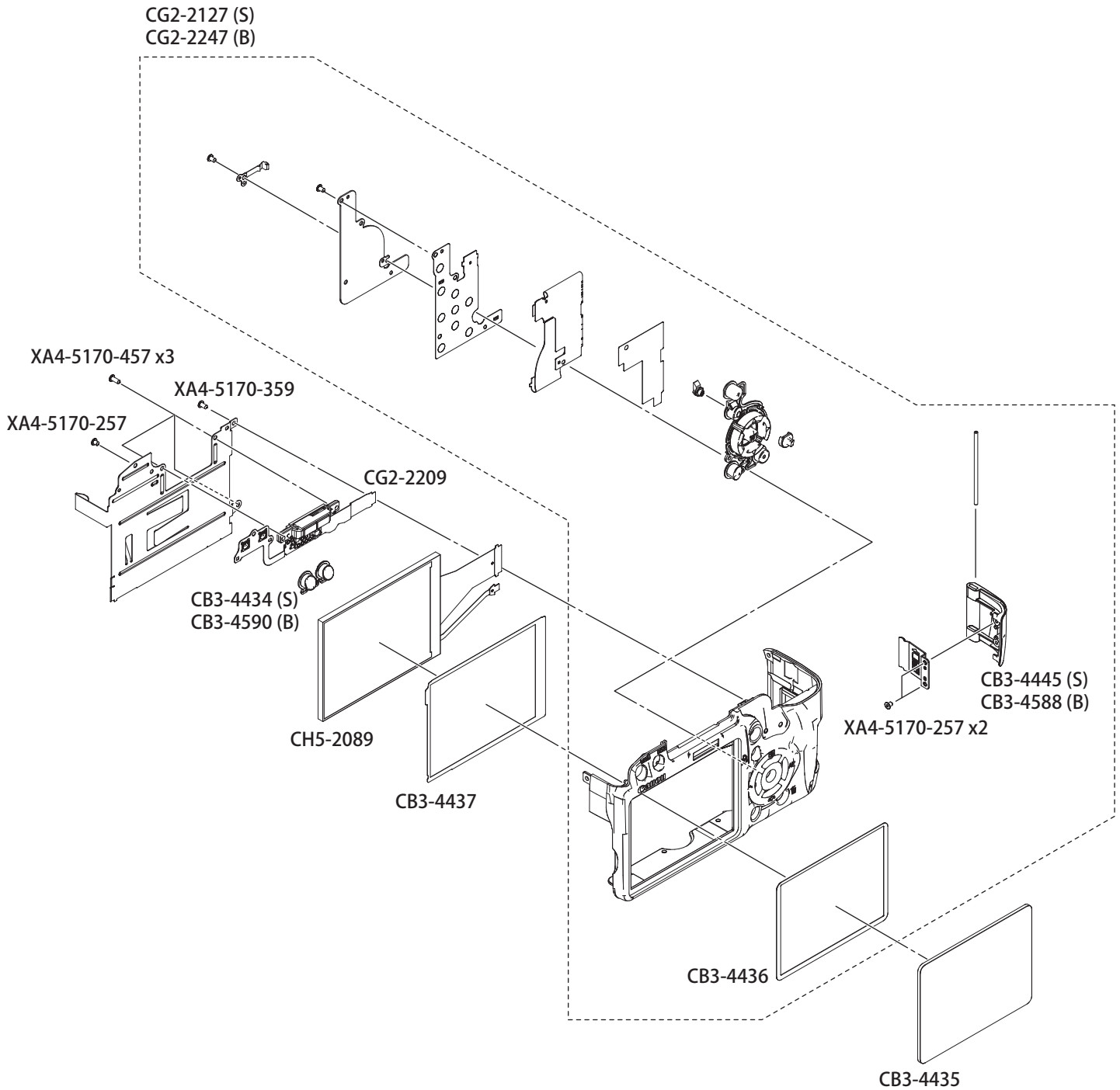
Those parts illustrated without parts numbers are [N.S] parts.
部品番号が記載されていないイラストは全て [N.S] 部品です。

PARTS LIST

REF. NO. C12-6182
 C12-6183, 4
 C12-6185, 6

NEW	PARTS NO.	CLASS	QTY	DESCRIPTION
	CB3-2409-000 000	C	4	SCREW, M2.5X3.8
	CB3-2411-000 000	C	1	BASE, ACCESSORY SHOE
*	CB3-4311-000 000	N	1	COVER, FLASH (SILVER)
*	CB3-4314-000 000	B	1	SPRING, ACCESSORY SHOE
*	CB3-4363-000 000	C	1	CONTACT, POWER ON/OFF
*	CB3-4374-000 000	C	2	SCREW, M1.7X4.5 (SILVER)
*	CB3-4377-000 000	C	1	SHOE, ACCESSORY
*	CB3-4578-000 000	N	1	COVER, FLASH (BLACK)
*	CB3-4605-000 000	C	2	SCREW, M1.7X4.5 (BLACK)
*	CB3-4606-000 000	C	1	SCREW, M1.7X3.5 (BLACK)
*	CB3-4743-000 000	C	1	SCREW M1.7X3.5 (SILVER)
*	CF1-5338-000 000	C	1	CONTACT ASS'Y, MODE DIAL
	WC2-5462-000 000	C	1	SWITCH, PUSH BUTTON (RELEASE)
	XA4-9140-407 000	F	6	SCREW
	XA4-9170-357 000	F	1	SCREW, CROSS-RECESS, PH

CANON DIGITAL CAMERA EOS KISS X2
EOS DIGITAL REBEL XSi
EOS 450D



Those parts illustrated without parts numbers are [N.S] parts.
部品番号が記載されていないイラストは全て [N.S] 部品です。

P A R T S L I S T

REF. NO. C12-6182
 C12-6183, 4
 C12-6185, 6

NEW	PARTS NO.	CLASS	QTY	DESCRIPTION
*	CB3-4434-000 000	C	1	BUTTON, MENU/DISP. (SILVER)
*	CB3-4435-000 000	B	1	WINDOW, TFT DISPLAY
*	CB3-4436-000 000	B	1	TAPE, DOUBLE SIDE (TFT WINDOW)
*	CB3-4437-000 001	B	1	TAPE, DOUBLE SIDE (TFT)
*	CB3-4445-000 000	C	1	COVER, SD SLOT (SILVER)
*	CB3-4588-000 000	C	1	COVER, SD SLOT (BLACK)
*	CB3-4590-000 000	C	1	BUTTON, MENU/DISP. (BLACK)
*	CG2-2127-000 000	B	1	COVER ASS'Y, BACK (SILVER)
*	CG2-2209-000 000	C	1	FPC ASS'Y, DOS
*	CG2-2247-000 000	B	1	COVER ASS'Y, BACK (BLACK)
*	CH5-2089-000 000	C	1	LCD ASS'Y, TFT
	XA4-5170-257 000	F	3	SCREW, CROSS-RECESS, FFH
	XA4-5170-359 000	F	1	SCREW
	XA4-5170-457 000	F	3	SCREW

Accessories Section

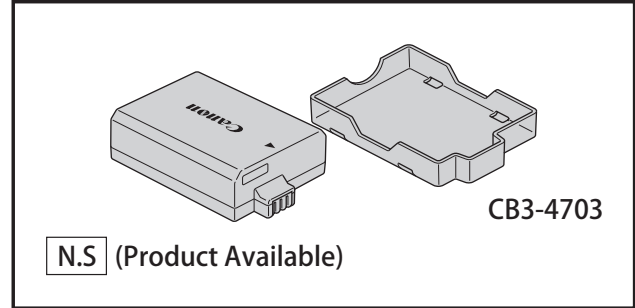
BATTERY CHARGER LC-E5

REF. NO. C51-0031



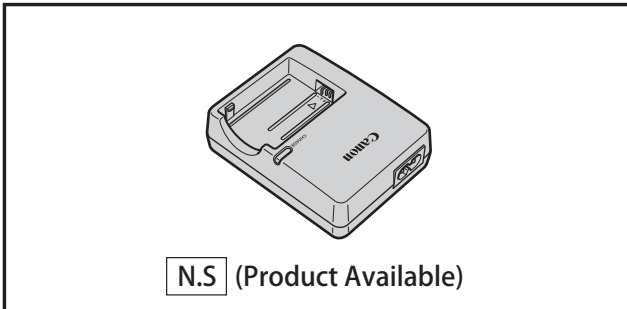
BATTERY PACK LP-E5

REF. NO. C51-0051(JPN)
C51-0052(CHN)
C51-0053(OTH)



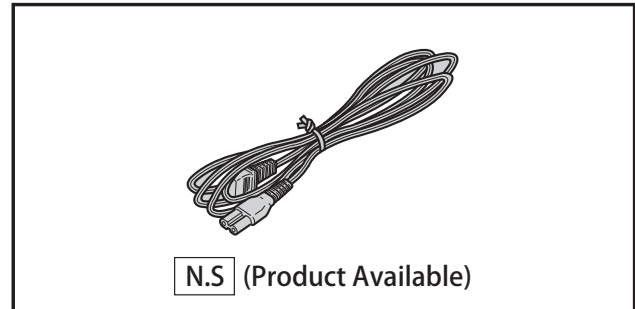
BATTERY CHARGER LC-E5E

REF. NO. C51-0032



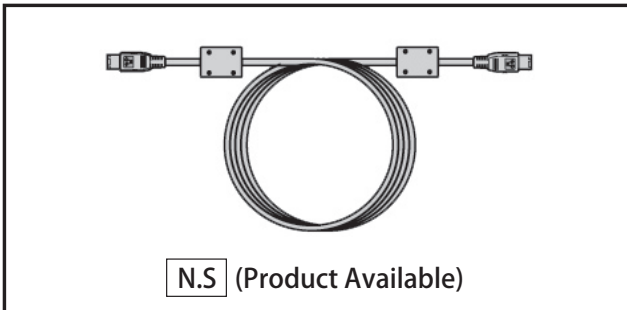
AC POWER CABLE

REF. NO. D82-0643(EUR)
D82-0645-001(AUS)
C50-8221(CHN)



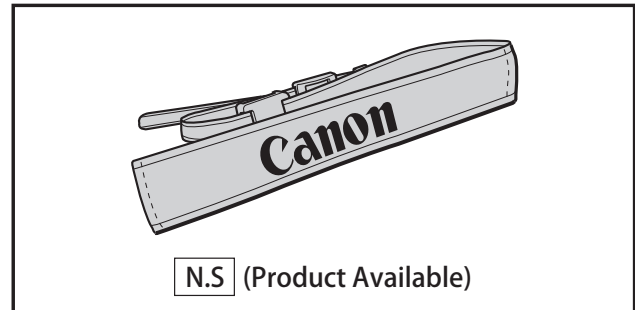
INTERFACE CABLE IFC-200 U

REF. NO. C50-8241



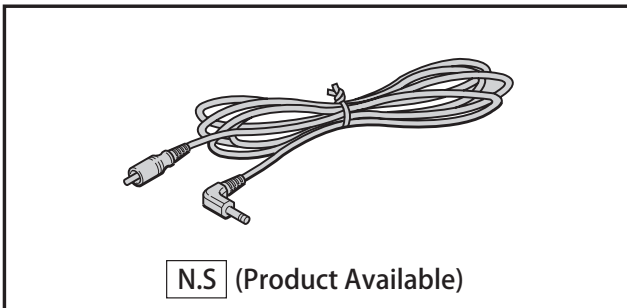
WIDE STRAP EW-100DB III

REF. NO. C46-2251



VIDEO CABLE VC-100

REF. NO. C50-8231



PARTS LIST

REF. NO. C12-6182
C12-6183, 4
C12-6185, 6

NEW	PARTS NO.	CLASS	QTY	DESCRIPTION
*	CB3-4703-000 000	C	1	COVER, BATTERY

INDEX OF PARTS LIST

REF. NO. C12-6182

C12-6183, 4

C12-6185, 6

NEW	PARTS NO.	PAGE	NEW	PARTS NO.	PAGE
	CA1-9407-000 000	1, 2	*	CB3-4432-000 000	1
	CB1-4085-000 000	5	*	CB3-4434-000 000	8
	CB2-0682-000 (XXX)	3	*	CB3-4435-000 000	8
	CB3-1700-000 000	5	*	CB3-4436-000 000	8
	CB3-1818-000 000	1	*	CB3-4437-000 001	8
	CB3-2112-000 000	2	*	CB3-4441-000 000	1
	CB3-2114-000 000	1, 2, 4	*	CB3-4442-000 000	1
	CB3-2409-000 000	7	*	CB3-4445-000 000	8
	CB3-2411-000 000	7	*	CB3-4486-000 000	6
	CB3-2808-000 000	3	*	CB3-4487-000 000	6
	CB3-3501-000 000	3	*	CB3-4494-000 000	4
*	CB3-4308-000 000	4	*	CB3-4502-000 000	3
*	CB3-4309-000 000	3	*	CB3-4505-000 000	3
*	CB3-4310-000 000	4	*	CB3-4507-000 000	3
*	CB3-4311-000 000	7	*	CB3-4578-000 000	7
*	CB3-4314-000 000	7	*	CB3-4584-000 000	6
*	CB3-4320-000 000	2	*	CB3-4586-000 000	1
*	CB3-4322-000 000	2	*	CB3-4587-000 000	1
*	CB3-4363-000 000	7	*	CB3-4588-000 000	8
*	CB3-4365-000 000	4	*	CB3-4590-000 000	8
*	CB3-4366-000 (XXX)	4	*	CB3-4591-000 000	1
*	CB3-4370-000 000	2	*	CB3-4593-000 000	2
*	CB3-4371-000 000	1, 2	*	CB3-4594-000 000	2
*	CB3-4372-000 000	2	*	CB3-4602-000 000	1, 2
*	CB3-4373-000 000	1, 2	*	CB3-4605-000 000	7
*	CB3-4374-000 000	7	*	CB3-4606-000 000	1, 2, 7
*	CB3-4375-000 000	1, 2	*	CB3-4703-000 000	9
*	CB3-4377-000 000	7	*	CB3-4743-000 000	7
*	CB3-4389-000 000	5	*	CB3-4751-000 000	2
*	CB3-4396-000 000	2	*	CB3-4752-000 000	2
*	CB3-4398-000 000	2	*	CB3-4753-000 000	2
*	CB3-4399-000 000	2	*	CB3-4754-000 000	2
*	CB3-4402-000 000	5		CF1-1948-000 000	5
*	CB3-4407-000 000	5	*	CF1-5338-000 000	7
*	CB3-4431-000 000	1	*	CF1-5344-000 000	4

INDEX OF PARTS LIST

REF. NO. C12-6182
 C12-6183, 4
 C12-6185, 6

NEW	PARTS NO.	PAGE	NEW	PARTS NO.	PAGE
*	CG2-2124-000 000	5	*	WK1-5174-000 000	6
*	CG2-2126-000 000	2		XA1-3200-257 000	3, 4
*	CG2-2127-000 000	8		XA1-7170-167 000	3
*	CG2-2129-000 000	4		XA1-7170-257 000	3
*	CG2-2130-000 000	1		XA4-5170-257 000	8
*	CG2-2167-000 000	6		XA4-5170-359 000	8
*	CG2-2168-000 000	4		XA4-5170-457 000	8
*	CG2-2169-000 000	3	*	XA4-7170-257 000	3
*	CG2-2179-000 000	5	*	XA4-8200-607 000	4
*	CG2-2193-000 000	2		XA4-9140-407 000	7
*	CG2-2194-000 000	4		XA4-9170-257 000	4
*	CG2-2198-000 000	4		XA4-9170-307 000	4, 5
*	CG2-2199-000 000	4		XA4-9170-357 000	3, 4, 6, 7
*	CG2-2200-000 000	4		XA4-9170-407 000	4
*	CG2-2201-000 000	4		XA4-9170-457 000	4, 5
*	CG2-2205-000 000	3		XA4-9170-459 000	5
*	CG2-2208-000 000	3		XA4-9170-507 000	3, 4
*	CG2-2209-000 000	8		XA4-9170-607 000	5
*	CG2-2217-000 000	1		XA4-9200-507 000	3
*	CG2-2242-000 000	4	*	YN2-9803-000 000	4
*	CG2-2243-000 000	2			
*	CG2-2245-000 000	2			
*	CG2-2247-000 000	8			
*	CH1-8551-000 000	3			
*	CH1-8558-000 000	3			
*	CH2-8451-000 000	5			
*	CH2-8454-000 000	5			
*	CH2-8455-000 000	3			
*	CH5-2089-000 000	8			
	CS2-5020-000 000	5			
*	CY3-1582-000 000	2			
*	CY3-1583-000 000	2			
*	CY3-1584-000 000	3			
*	CY3-1585-000 000	4			
	WC2-5462-000 000	7			