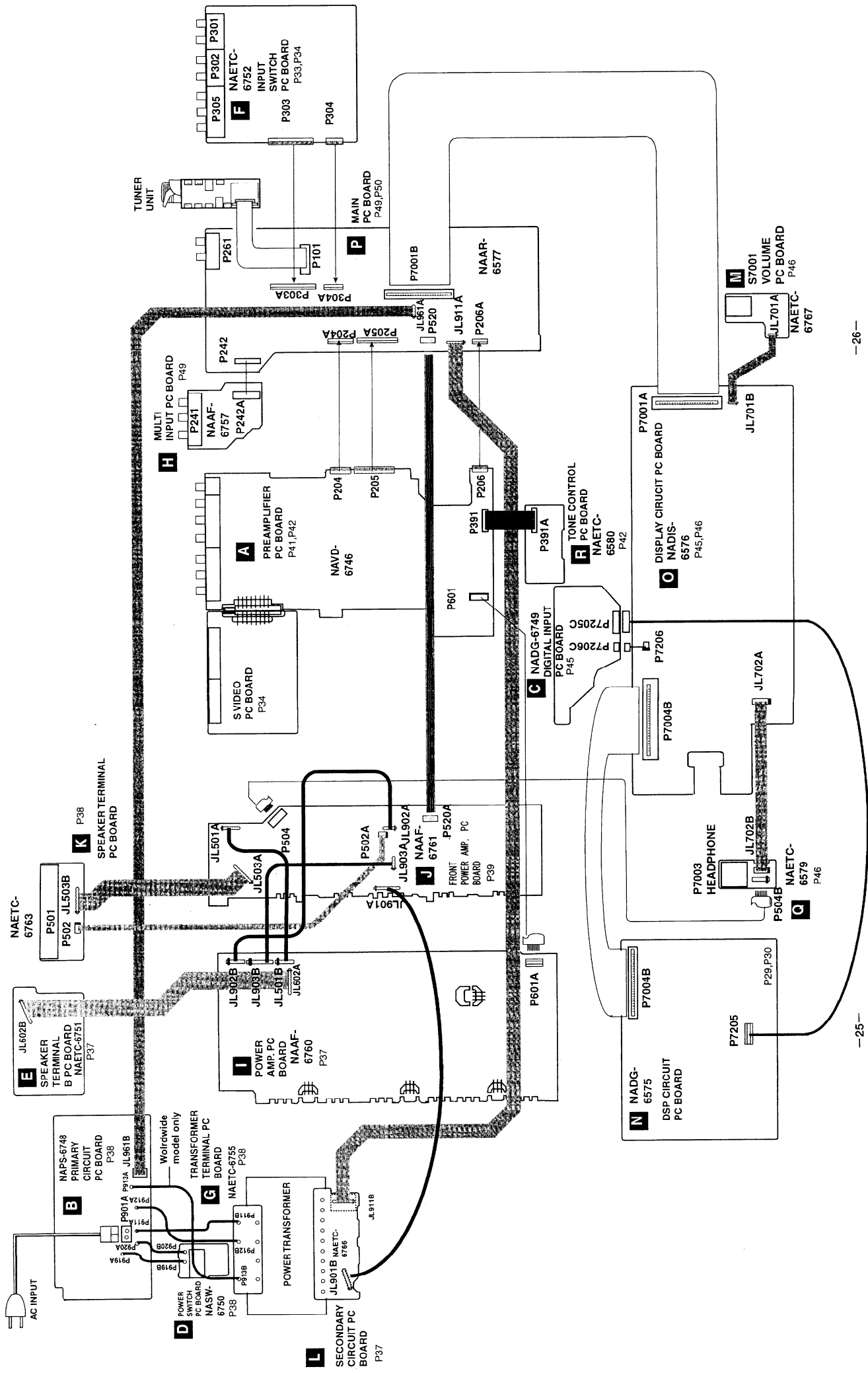
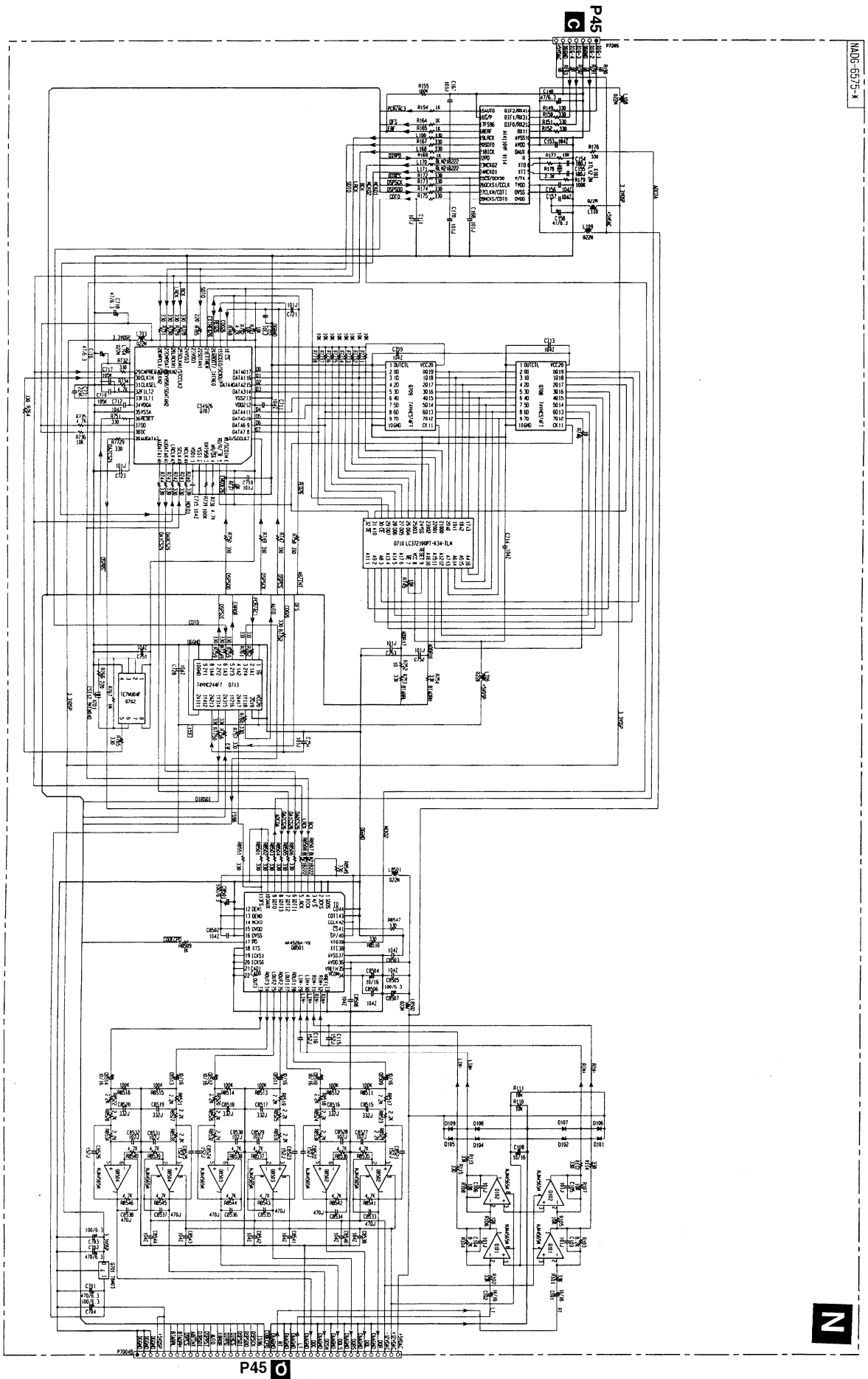


WIRING VIEW



SCHEMATIC DIAGRAM 1

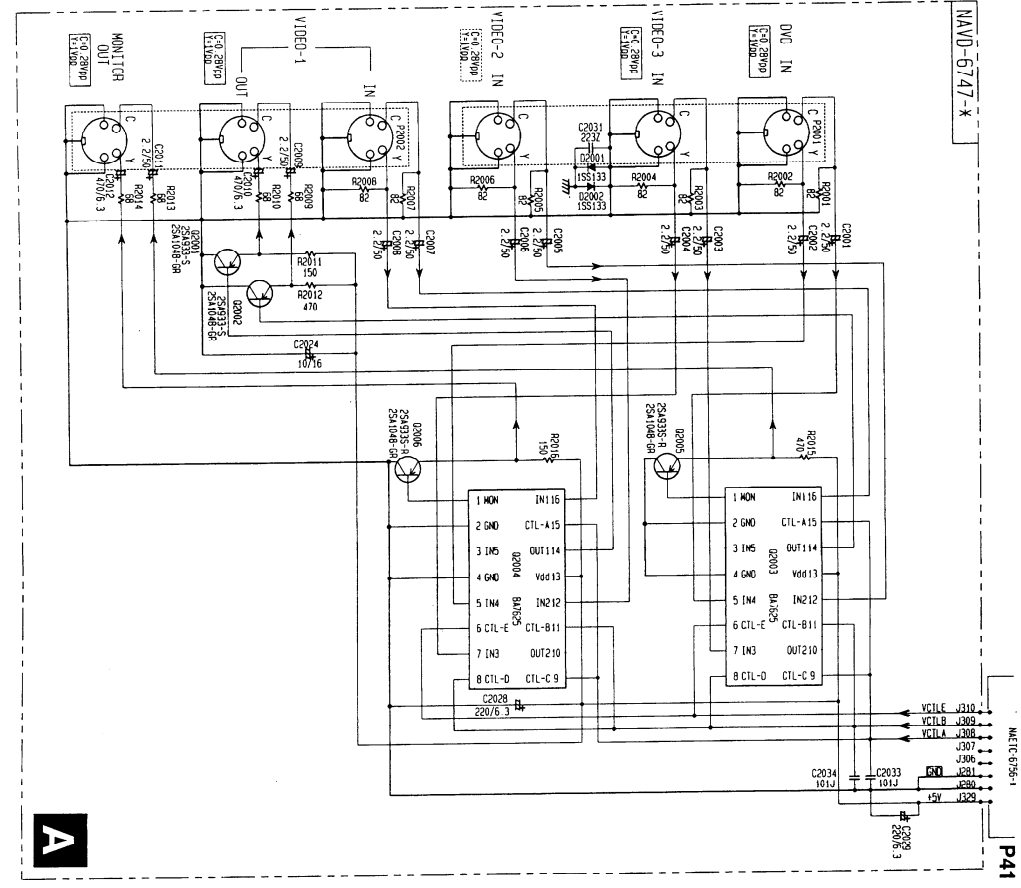
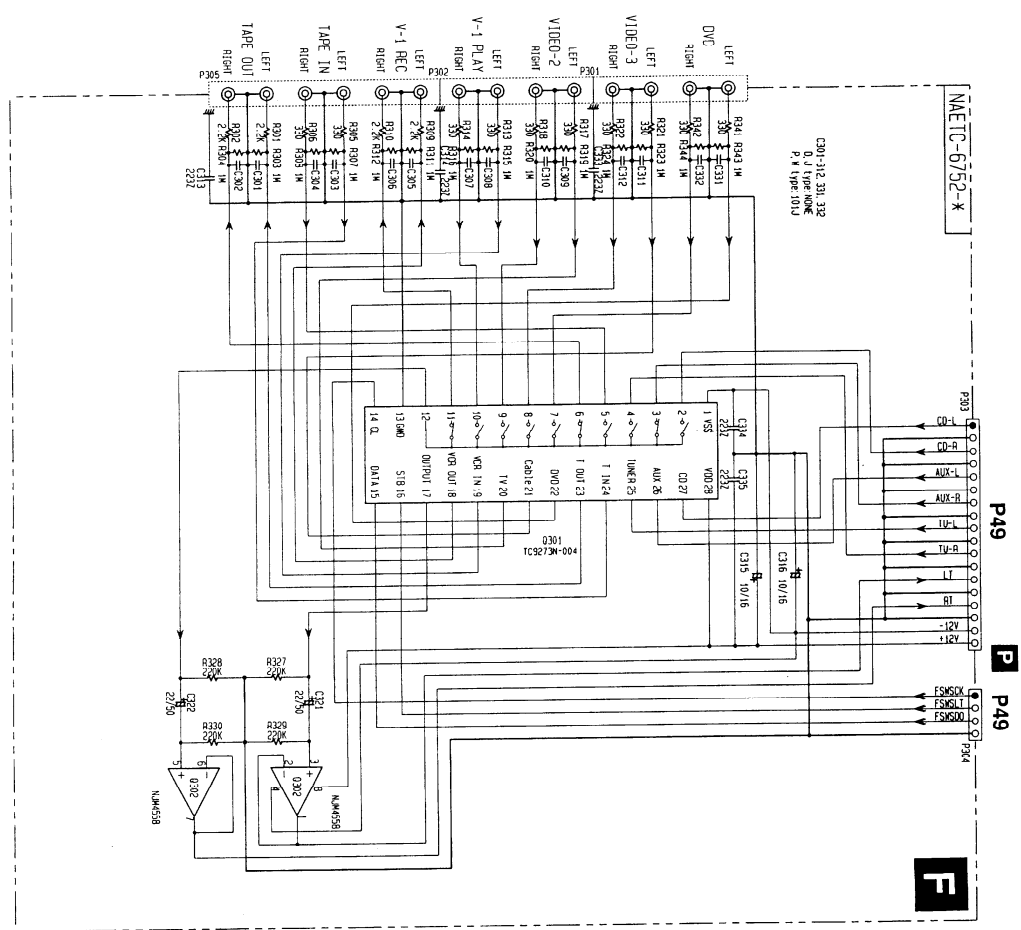
TX-DSS75X TX-DSS75X



MA66-6575-X

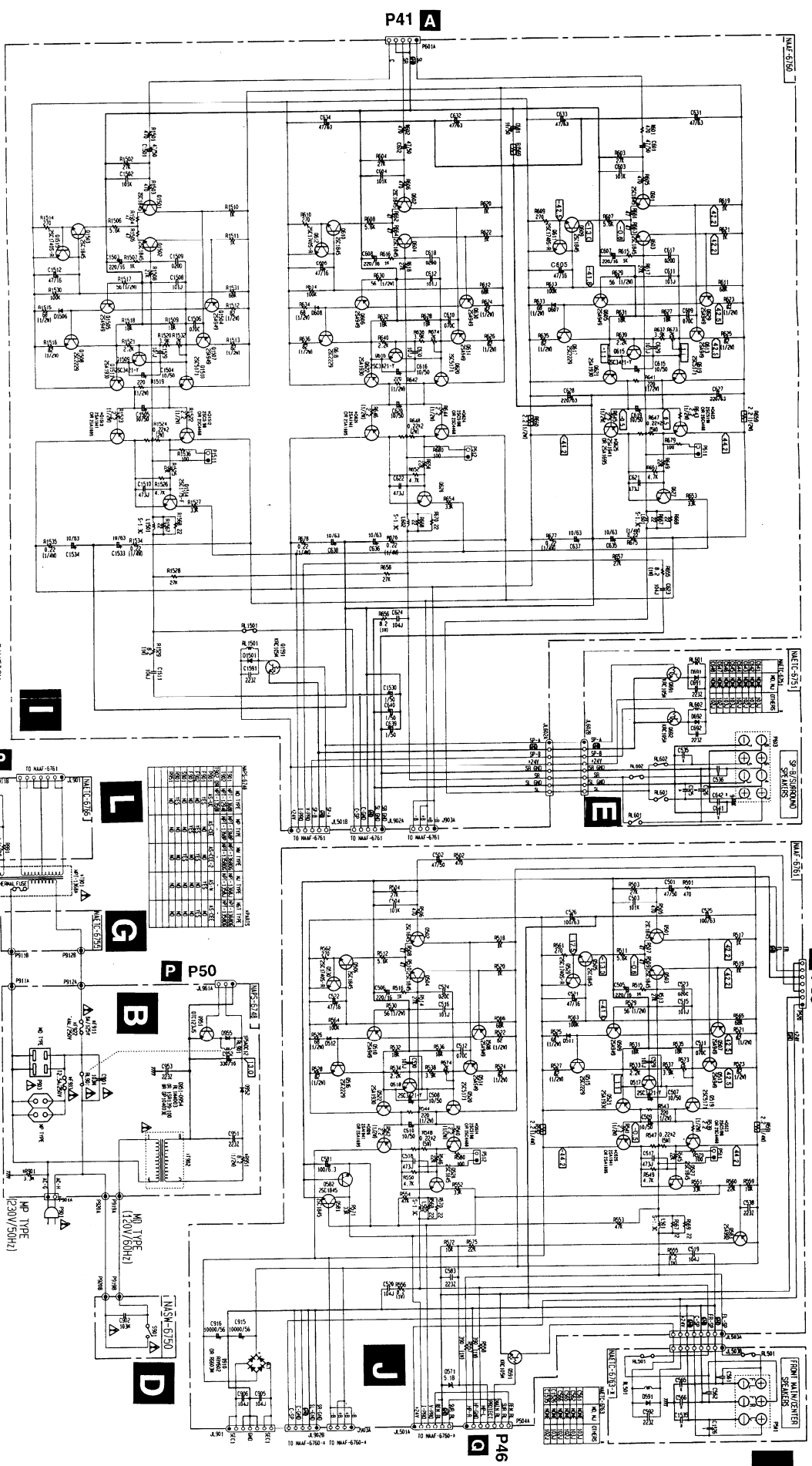
A B C D E F G

SCHEMATIC DIAGRAM 2



SCHEMATIC DIAGRAM 3

A B C D E F G



CAUTION
 ADJUSTING POTENTIOMETER
 TO ADJUST THE
 FREQUENCY OF THE
 SQUARE WAVE GENERATOR
 TO THE FREQUENCY
 OF THE SIGNAL TO BE
 TRANSMITTED.

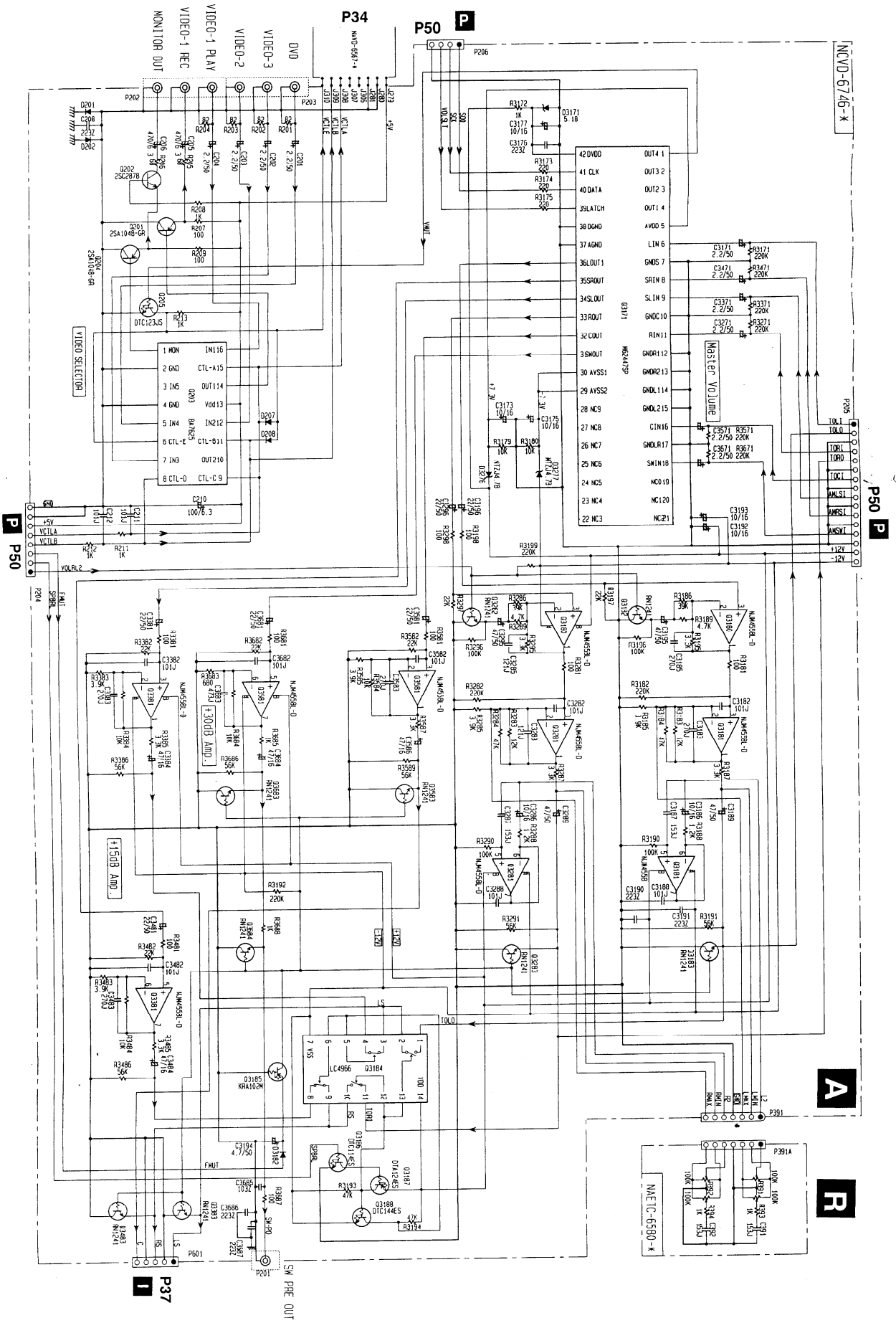
ATTENTION
 THE SIGNAL OUTPUT OF THE 555
 TIMERS IS A SQUARE WAVE
 WITH A FREQUENCY OF
 APPROXIMATELY 1000 Hz.
 THIS SIGNAL IS NOT TO BE
 TRANSMITTED TO ANY OTHER
 PART OF THE SYSTEM.
 THE SIGNAL IS ONLY TO BE
 USED FOR TESTING PURPOSES.
 SEE SECTION 10 FOR
 TESTING PROCEDURES.

NOTE: THE SIGNAL OUTPUT OF THE 555
 TIMERS IS A SQUARE WAVE
 WITH A FREQUENCY OF
 APPROXIMATELY 1000 Hz.
 THIS SIGNAL IS NOT TO BE
 TRANSMITTED TO ANY OTHER
 PART OF THE SYSTEM.
 THE SIGNAL IS ONLY TO BE
 USED FOR TESTING PURPOSES.
 SEE SECTION 10 FOR
 TESTING PROCEDURES.

NOTE: THE SIGNAL OUTPUT OF THE 555
 TIMERS IS A SQUARE WAVE
 WITH A FREQUENCY OF
 APPROXIMATELY 1000 Hz.
 THIS SIGNAL IS NOT TO BE
 TRANSMITTED TO ANY OTHER
 PART OF THE SYSTEM.
 THE SIGNAL IS ONLY TO BE
 USED FOR TESTING PURPOSES.
 SEE SECTION 10 FOR
 TESTING PROCEDURES.

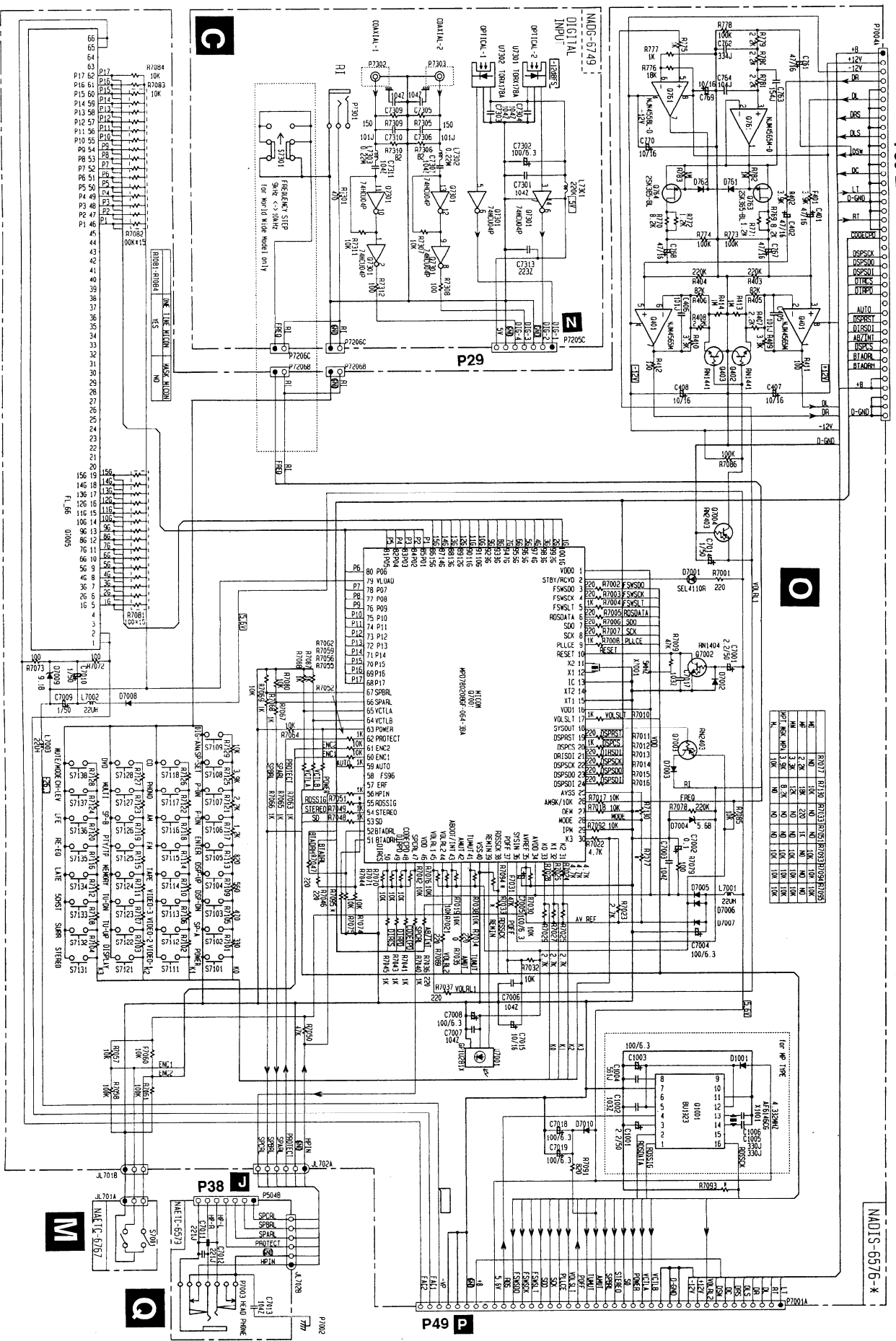
NOTE: THE SIGNAL OUTPUT OF THE 555
 TIMERS IS A SQUARE WAVE
 WITH A FREQUENCY OF
 APPROXIMATELY 1000 Hz.
 THIS SIGNAL IS NOT TO BE
 TRANSMITTED TO ANY OTHER
 PART OF THE SYSTEM.
 THE SIGNAL IS ONLY TO BE
 USED FOR TESTING PURPOSES.
 SEE SECTION 10 FOR
 TESTING PROCEDURES.

SCHEMATIC DIAGRAM 4

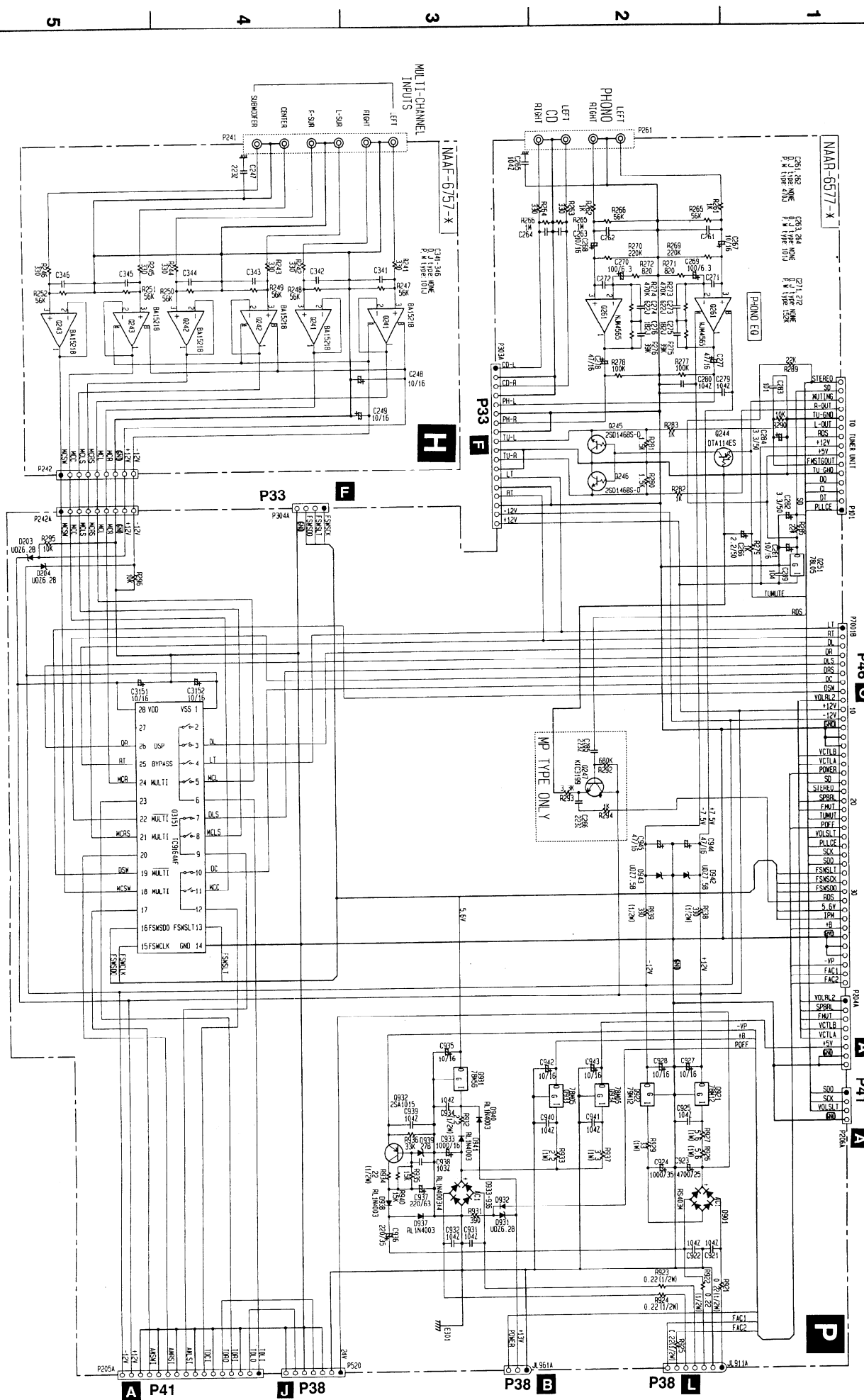


SCHEMATIC DIAGRAM 5

P30 N



SCHEMATIC DIAGRAM 6



A B C D E F G

5

4

3

2

1