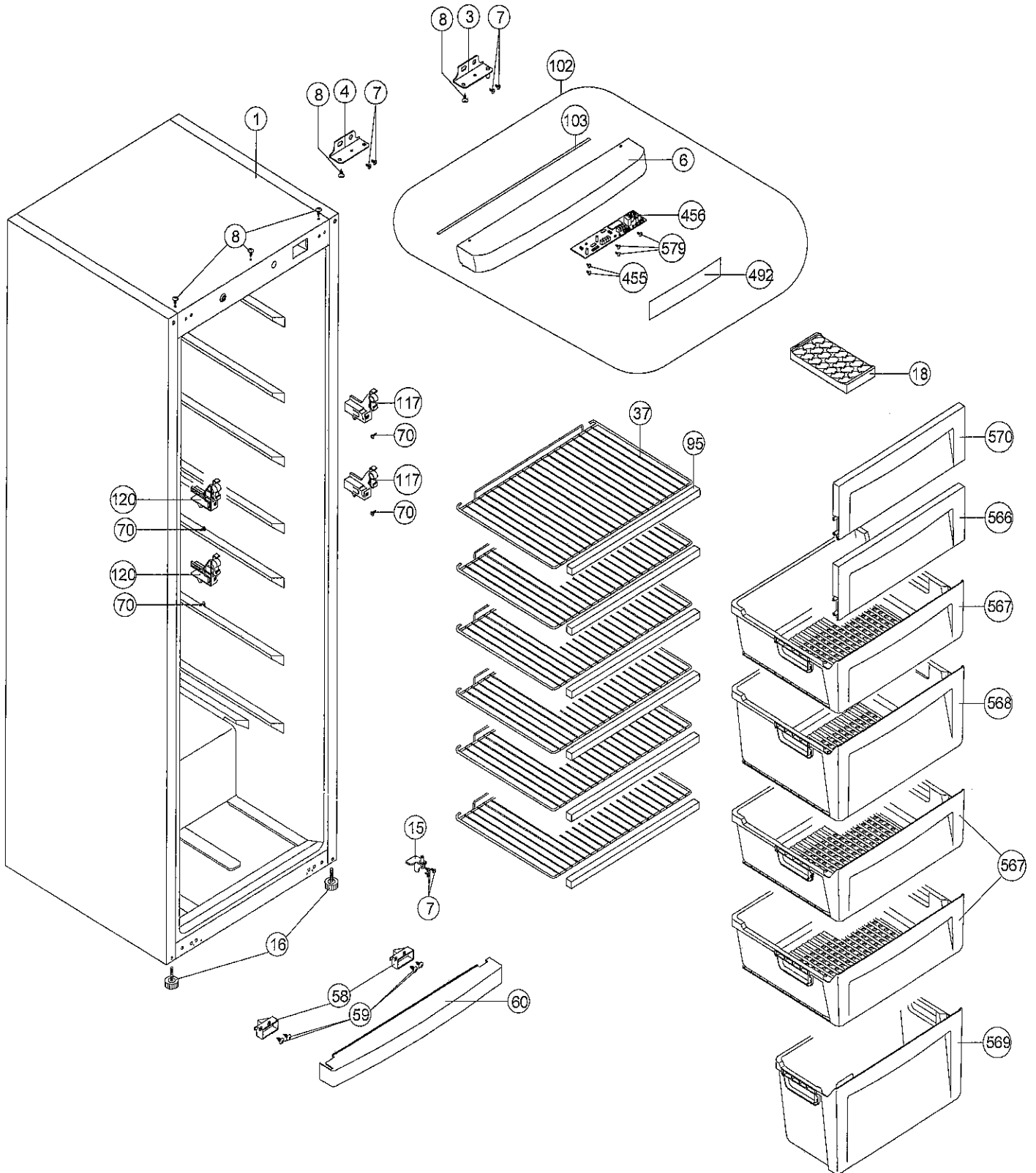
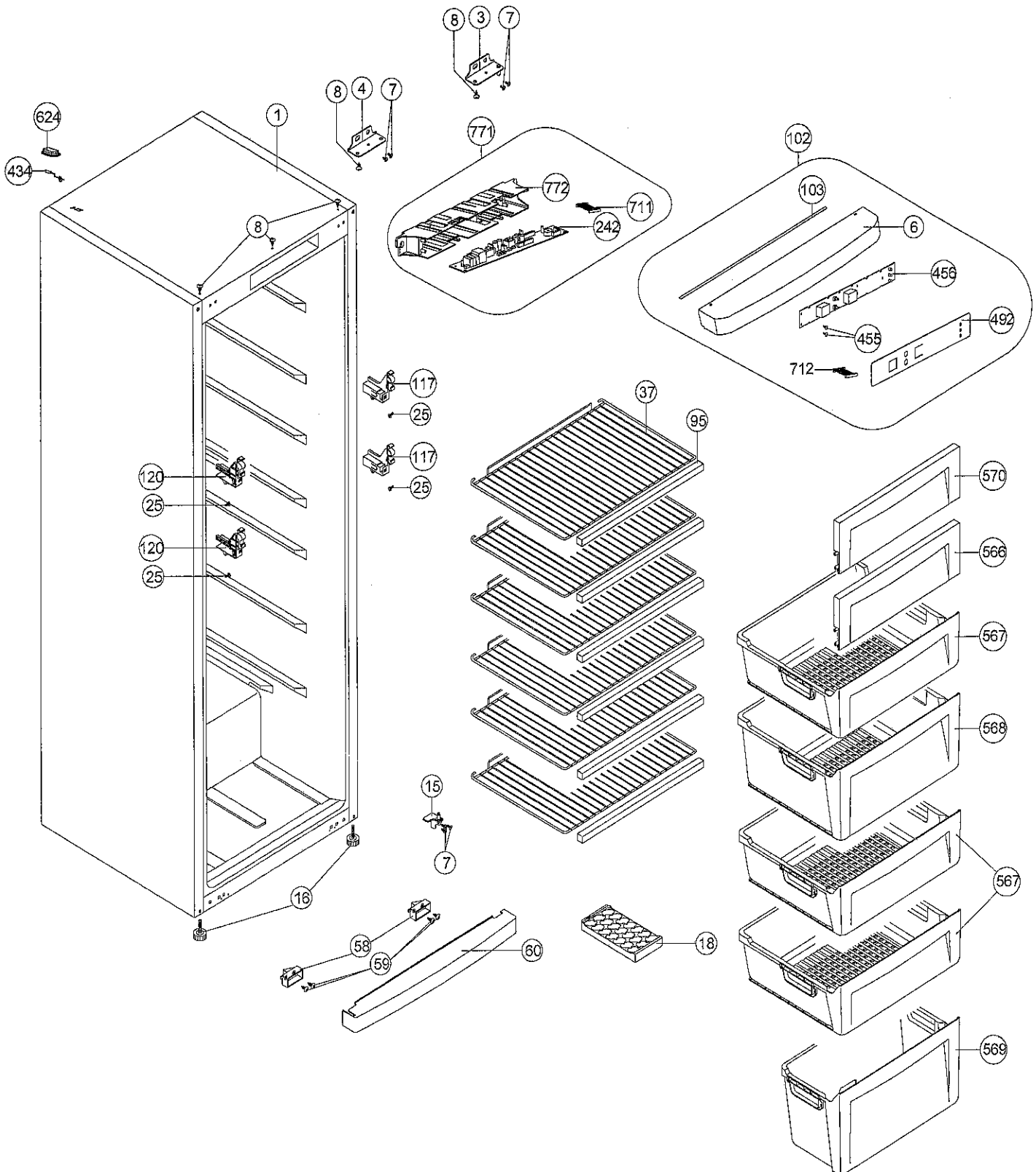


BEFORE 26.02.2013



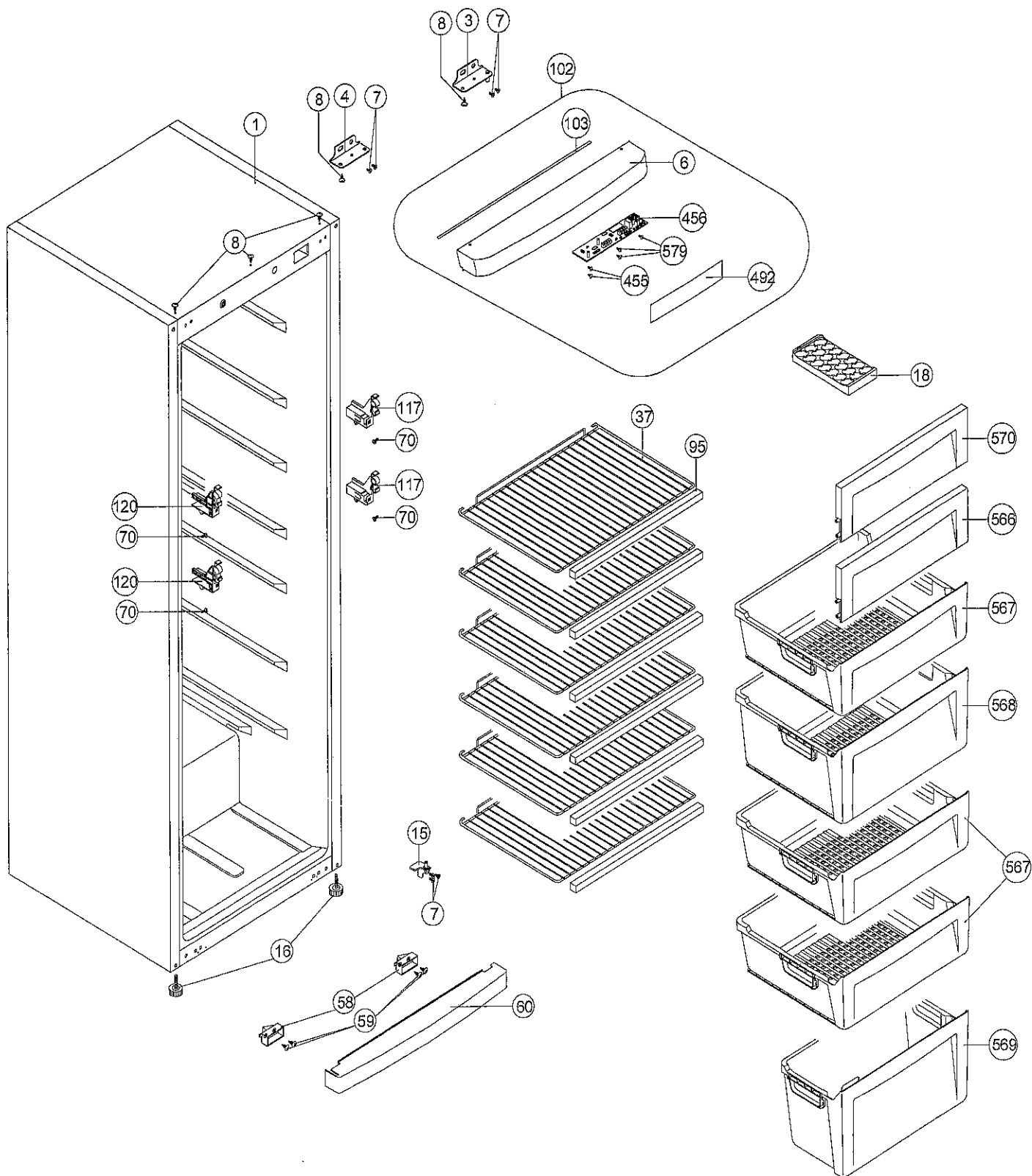
JUNE 2016

BETWEEN 26.02.2013 and 15.04.2014

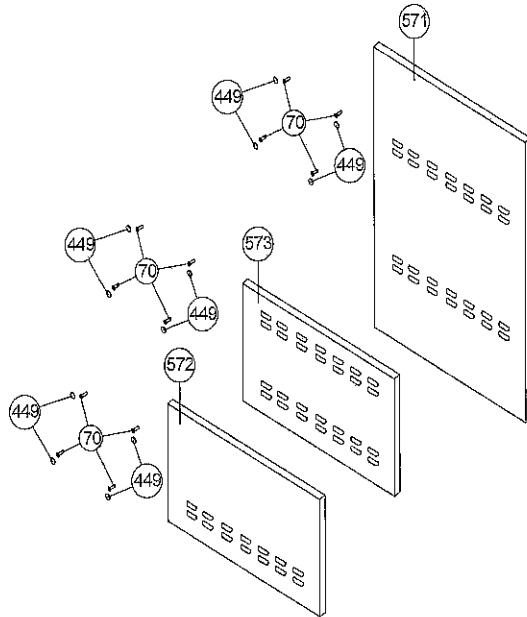
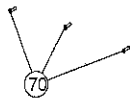
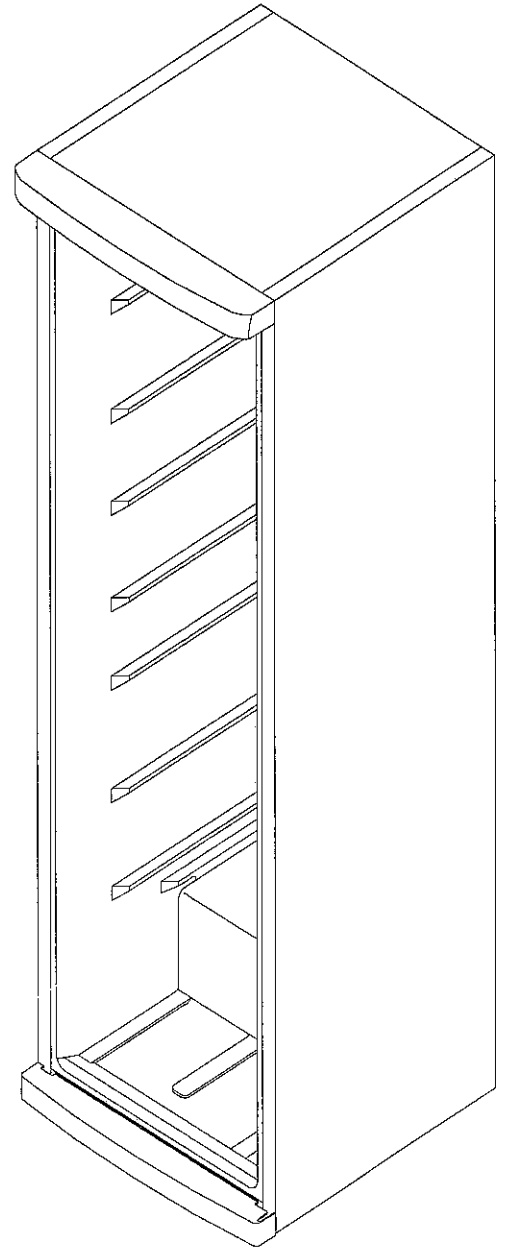
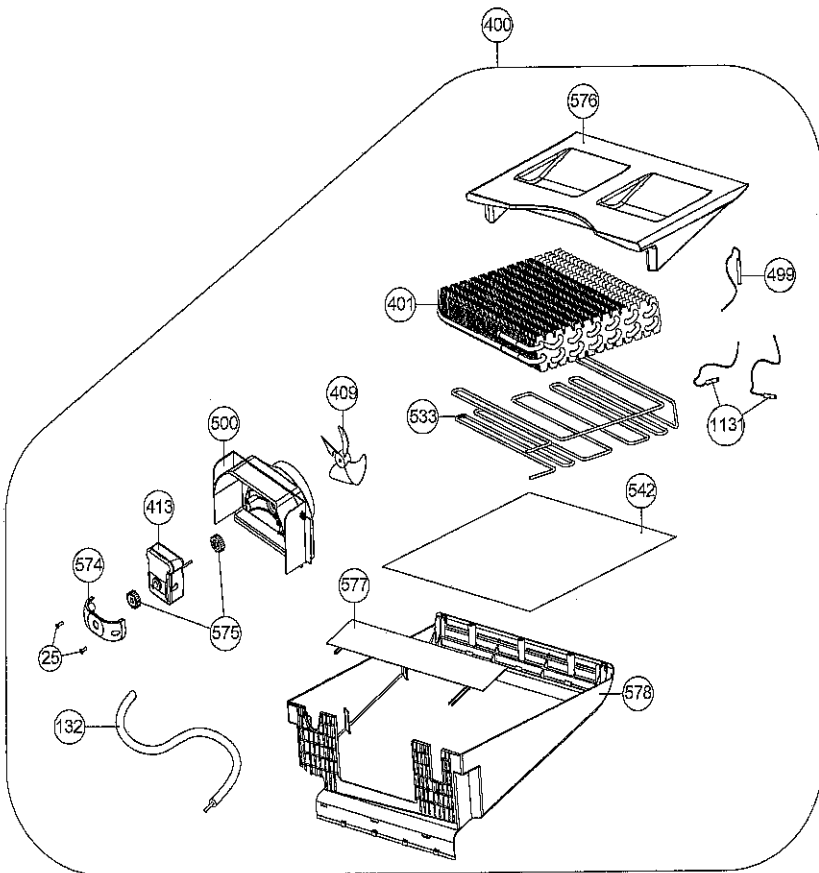


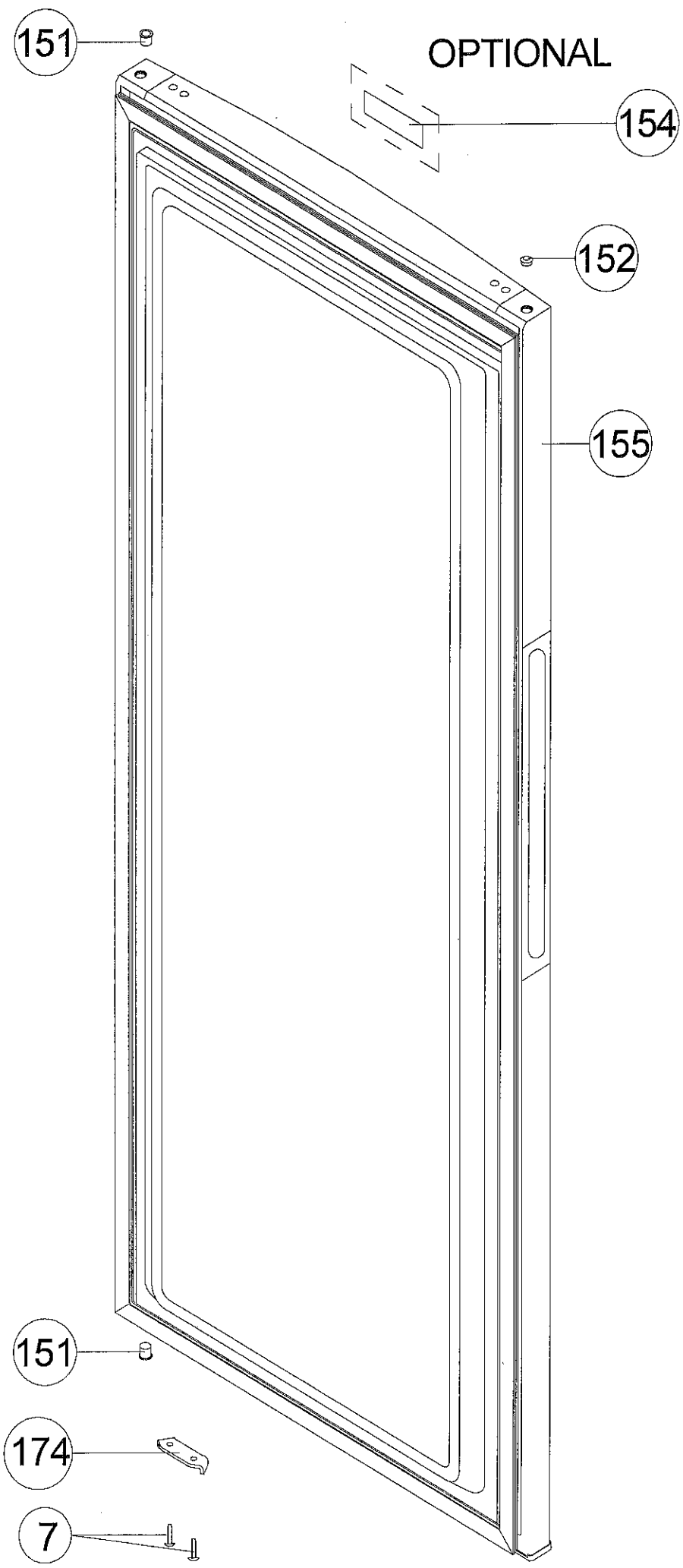
JUNE 2016

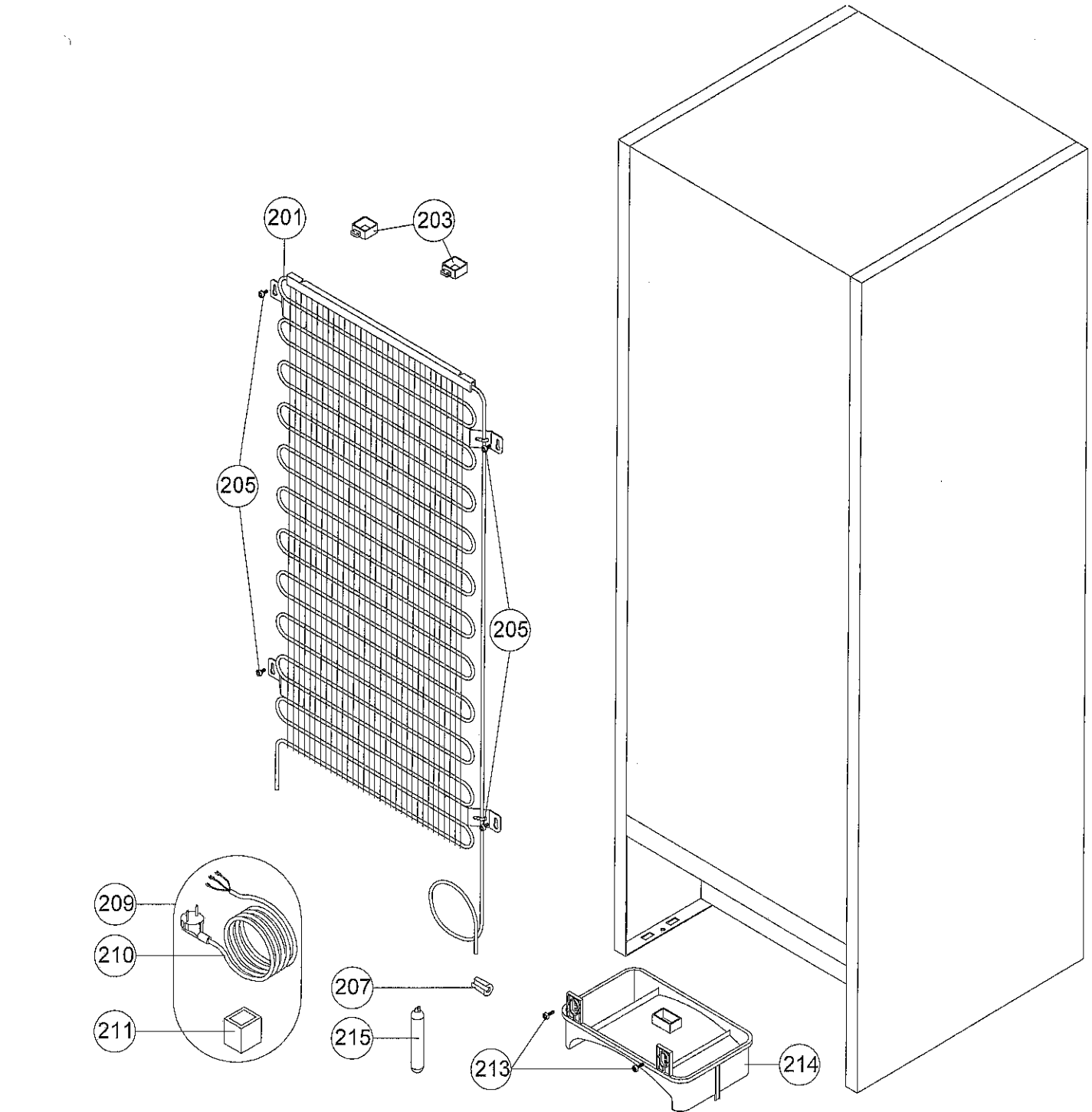
AFTER 15.04.2014



JUNE 2016







OPTIONAL

