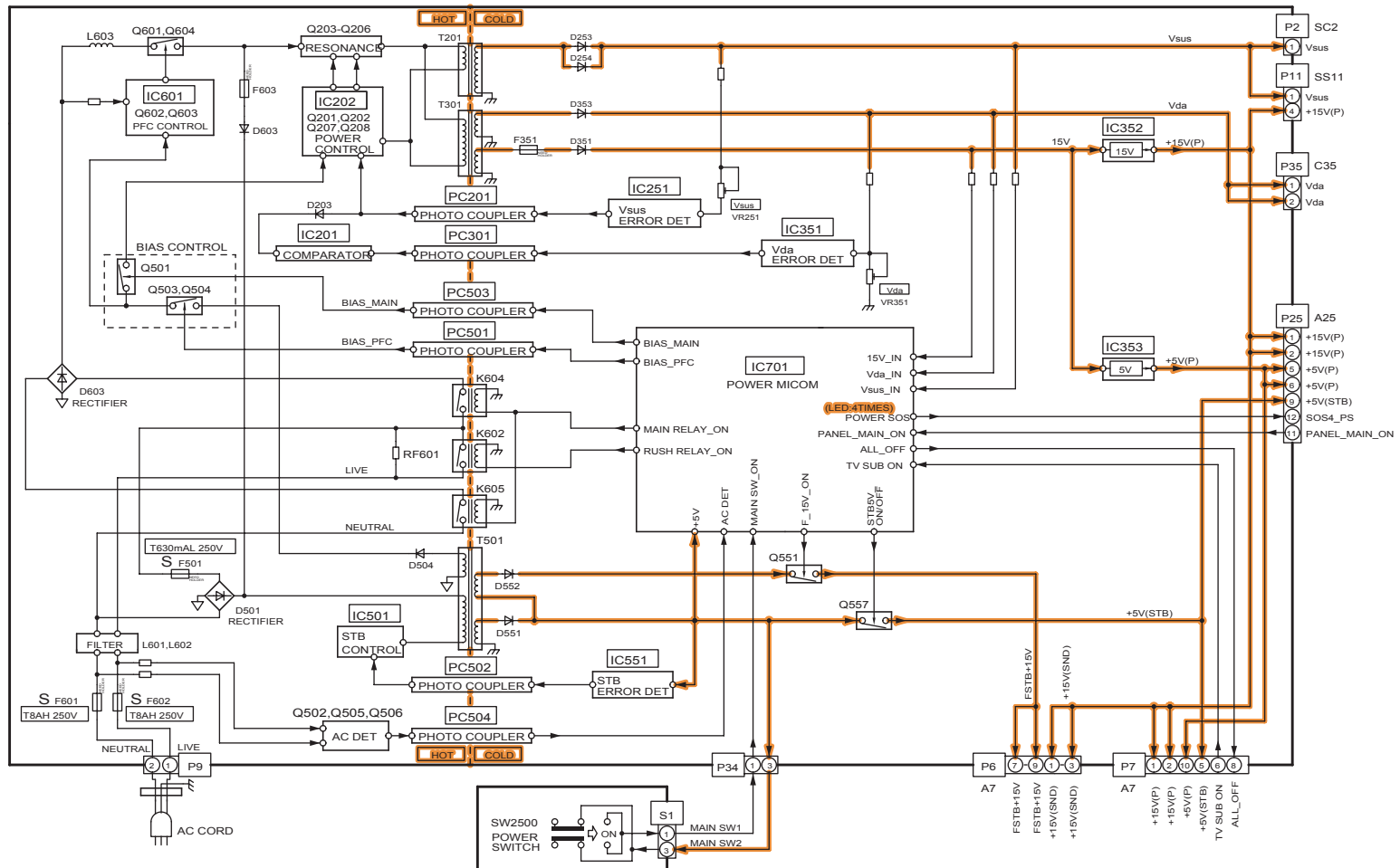


P POWER SUPPLY



S POWER SWITCH