

Service
Service
Service



Service Manual

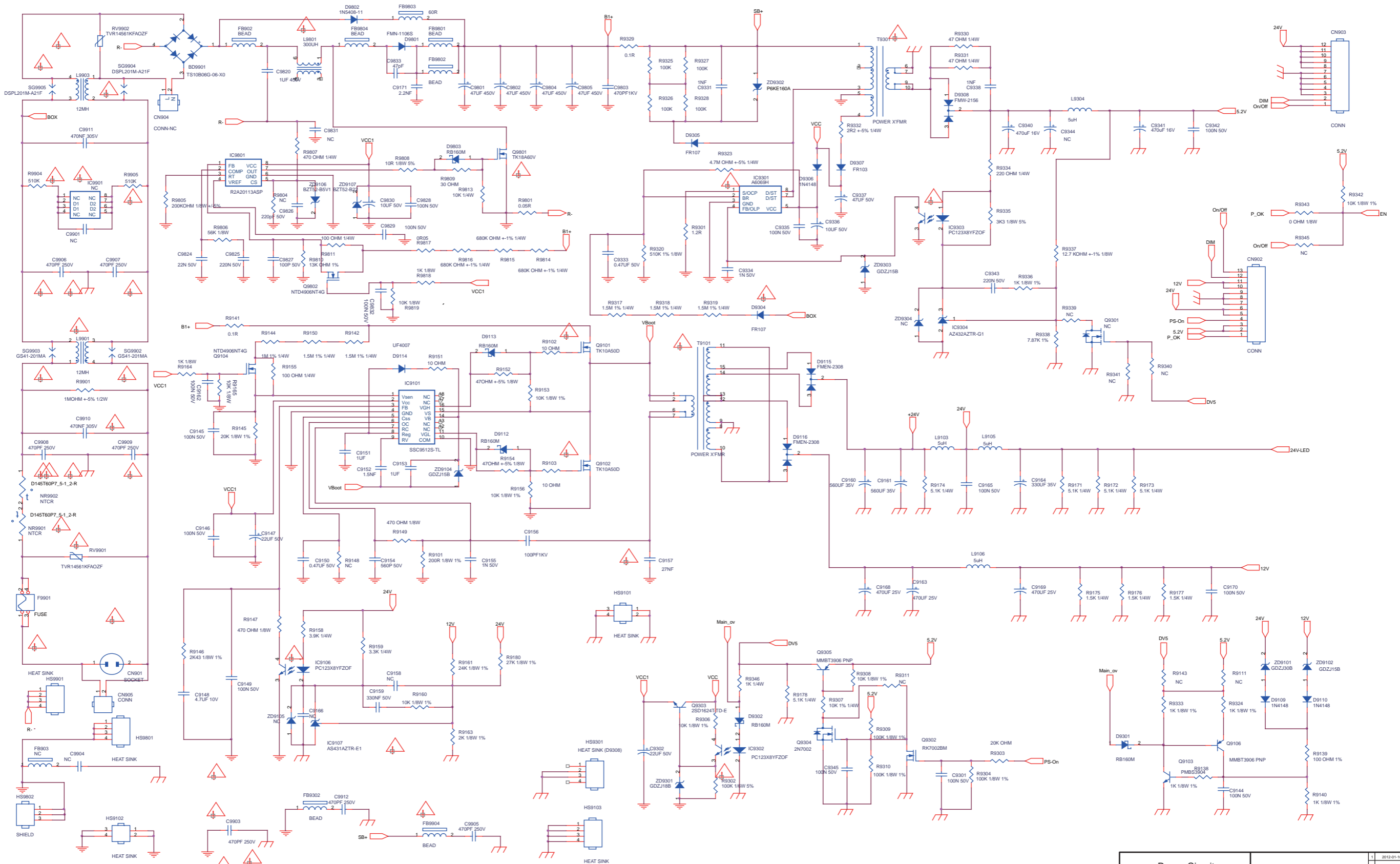
Contents	Page	Contents	Page
1. Revision List	2	11. Styling Sheets	<i>Drawing</i>
2. Technical Specs, Diversity, and Connections	2	4000 series 26"	220
3. Precautions, Notes, and Abbreviation List	7	4000 series 32"	221
4. Mechanical Instructions	11	4000 series 37"	222
5. Service Modes, Error Codes, and Fault Finding	20	4000 series 42"	223
6. Alignments	39	4000 series 47"	224
7. Circuit Descriptions	47	5000 series 32"	225
8. IC Data Sheets	55	5000 series 40"	226
9. Block Diagrams	<i>Drawing</i>	5000 series 46"	227
Wiring diagram 4000 series 26"	71	5000 series 55"	228
Wiring diagram 4000 series 32"	72		
Wiring diagram 4000 series 37"	73		
Wiring diagram 4000 series 42"	74		
Wiring diagram 4000 series 47"	75		
Wiring diagram 4300 series 42"	76		
Wiring diagram 5000 & 5500 series 32"	77		
Wiring diagram 5000 & 5500 series 40"	78		
Wiring diagram 5000 & 5500 series 46"	79		
Wiring diagram 5000 series 55"	80		
Block Diagram Video	81		
Block Diagram Audio	82		
Block Diagram Control & Clock Signals	83		
Block Diagram I2C	84		
Supply Lines Overview	85		
10. Circuit Diagrams and PWB Layouts	<i>Drawing</i>		
A 715G5194 PSU 32" & 37" 3500/4000 series	86	PWB	90-91
A01 715G5246 PSU 42" 3500/4000 series	92		95-96
A 272217190638	97		99-100
A 272217190639	101		103-104
B 313912365313 SSB	105		140-141
B 313912365333 - 313912365334 SSB	142		177-178
B 313912365401	179		208-209
J 272217190529 Sensor board	210		211
J 272217190532 Sensor board	212		213
J 715G5255 Sensor board	214		215
E 2722171 90545, 90547, 90549, 90552, 90558			
Keyboard control panel	216		217
E 715G5252 Keyboard control panel	218		219

10.2 A01 715G5246 PSU 42" 3500/4000 series
10-2-1 Power Circuit

A01

Power Circuit

A01



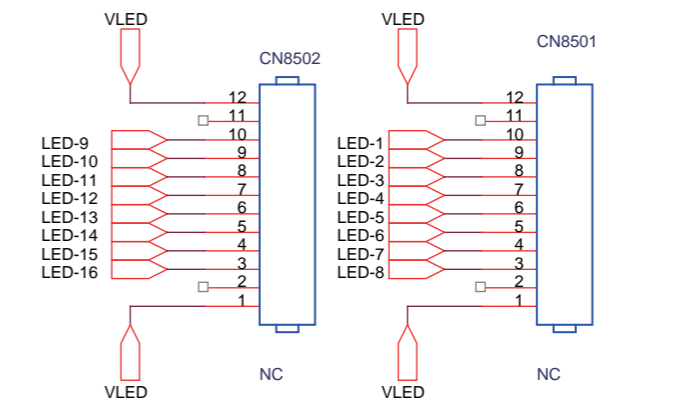
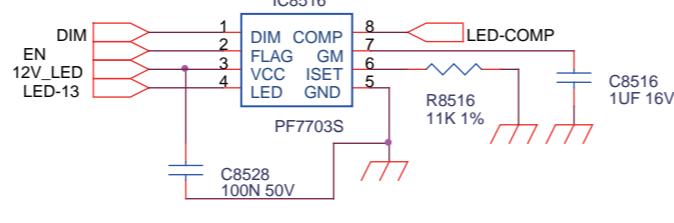
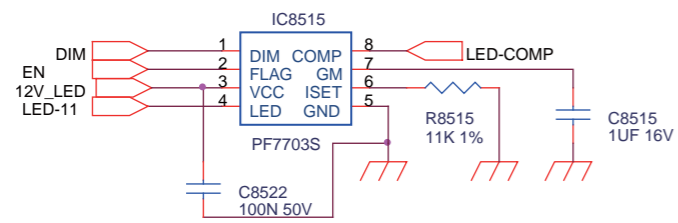
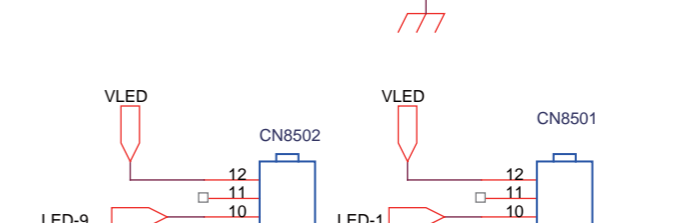
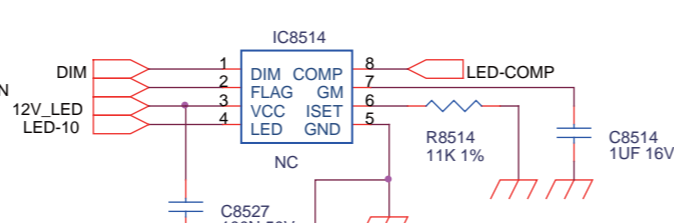
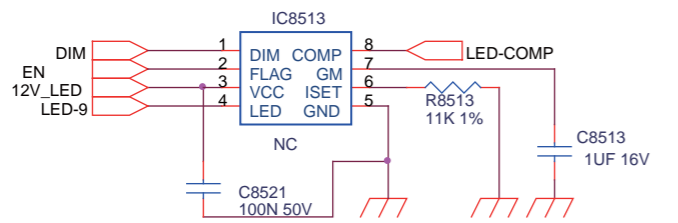
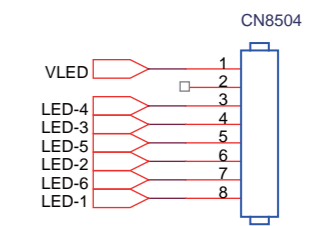
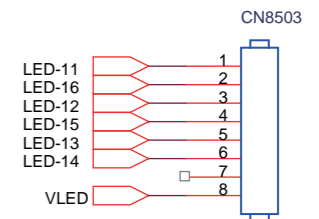
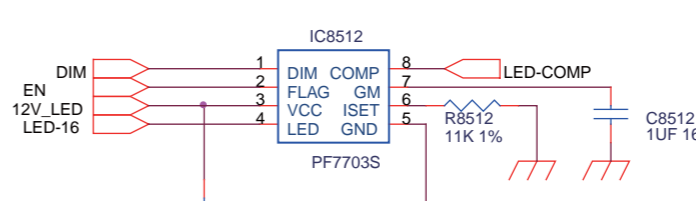
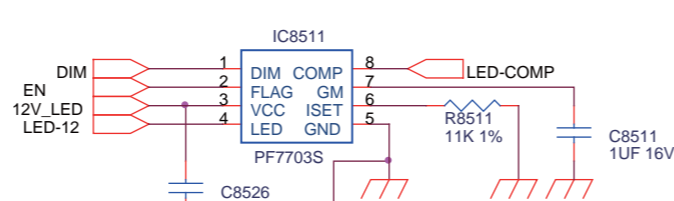
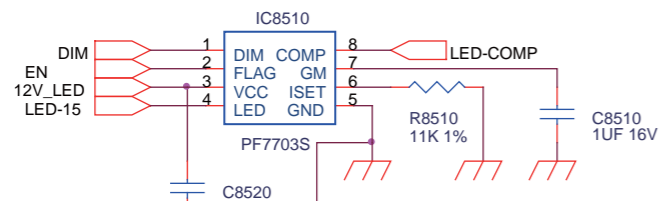
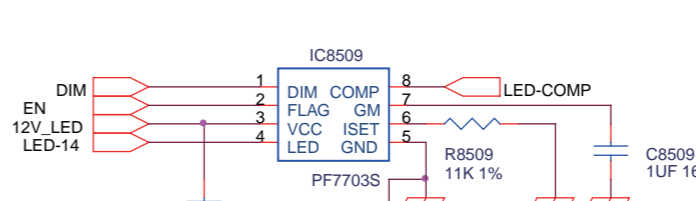
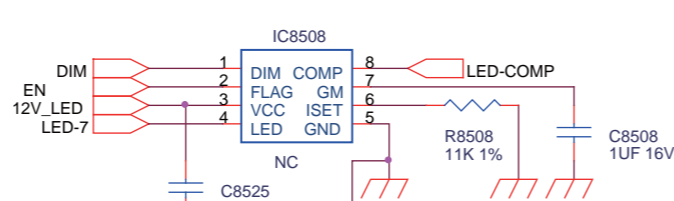
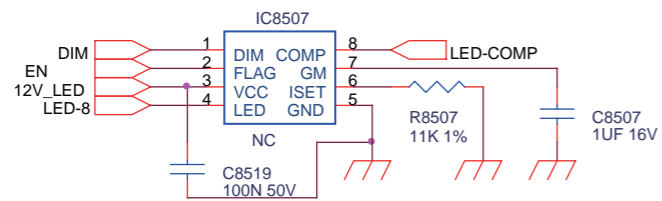
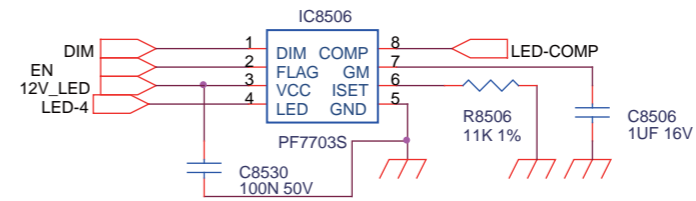
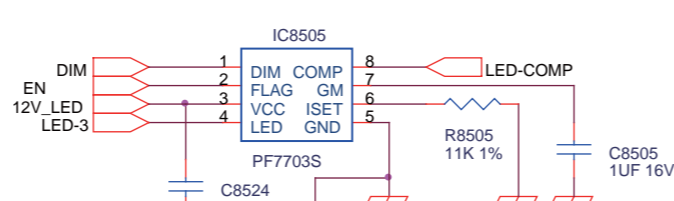
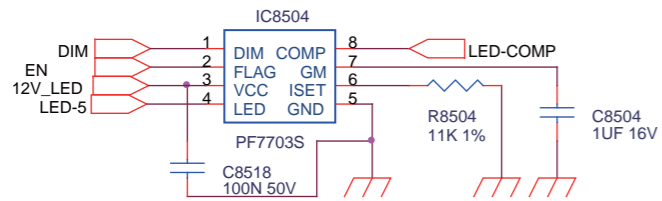
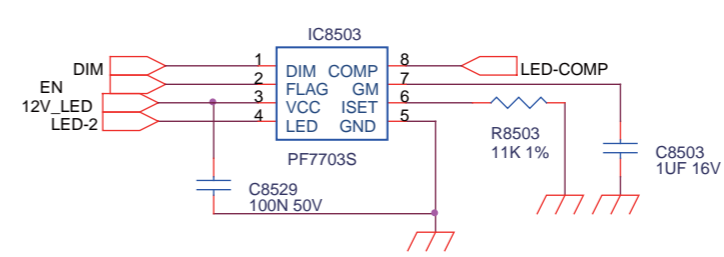
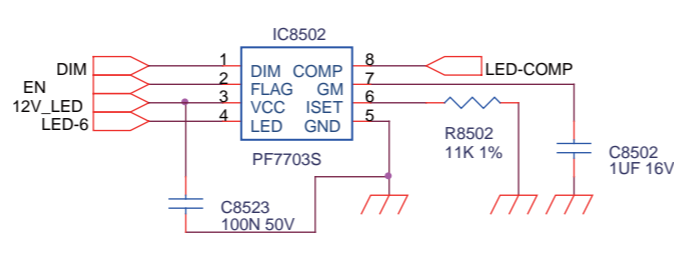
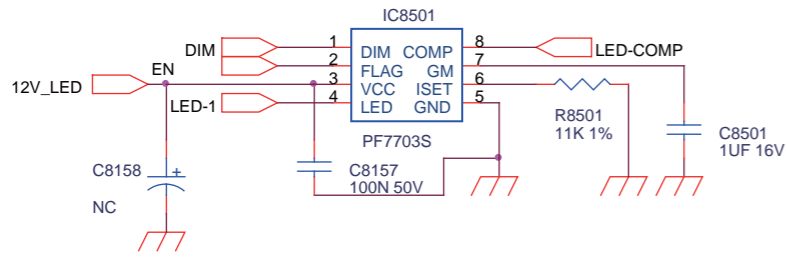
Power Circuit	715G5246	1	2012-01-10

19240_506_120213.eps
120320

A03

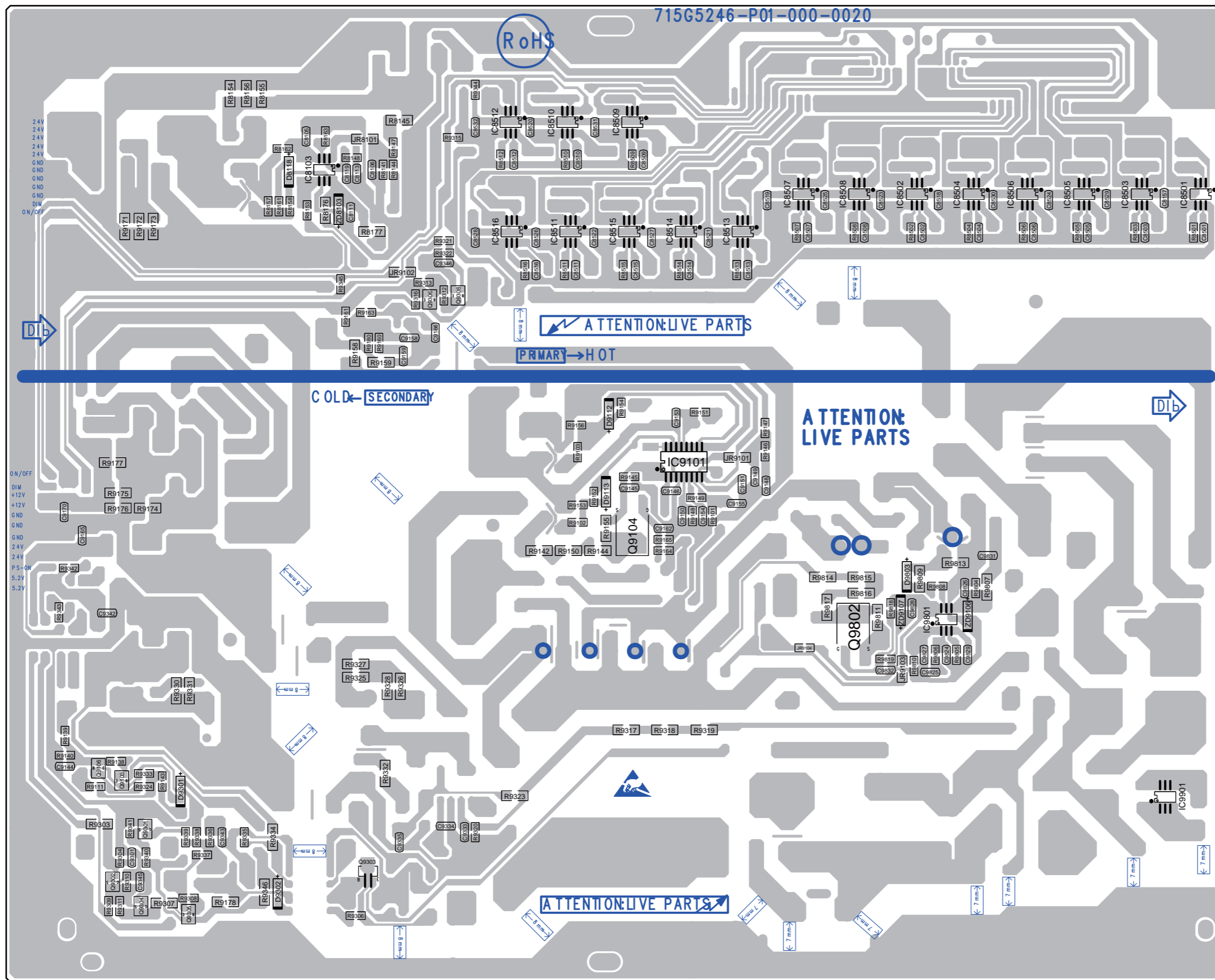
LED Driver

A03



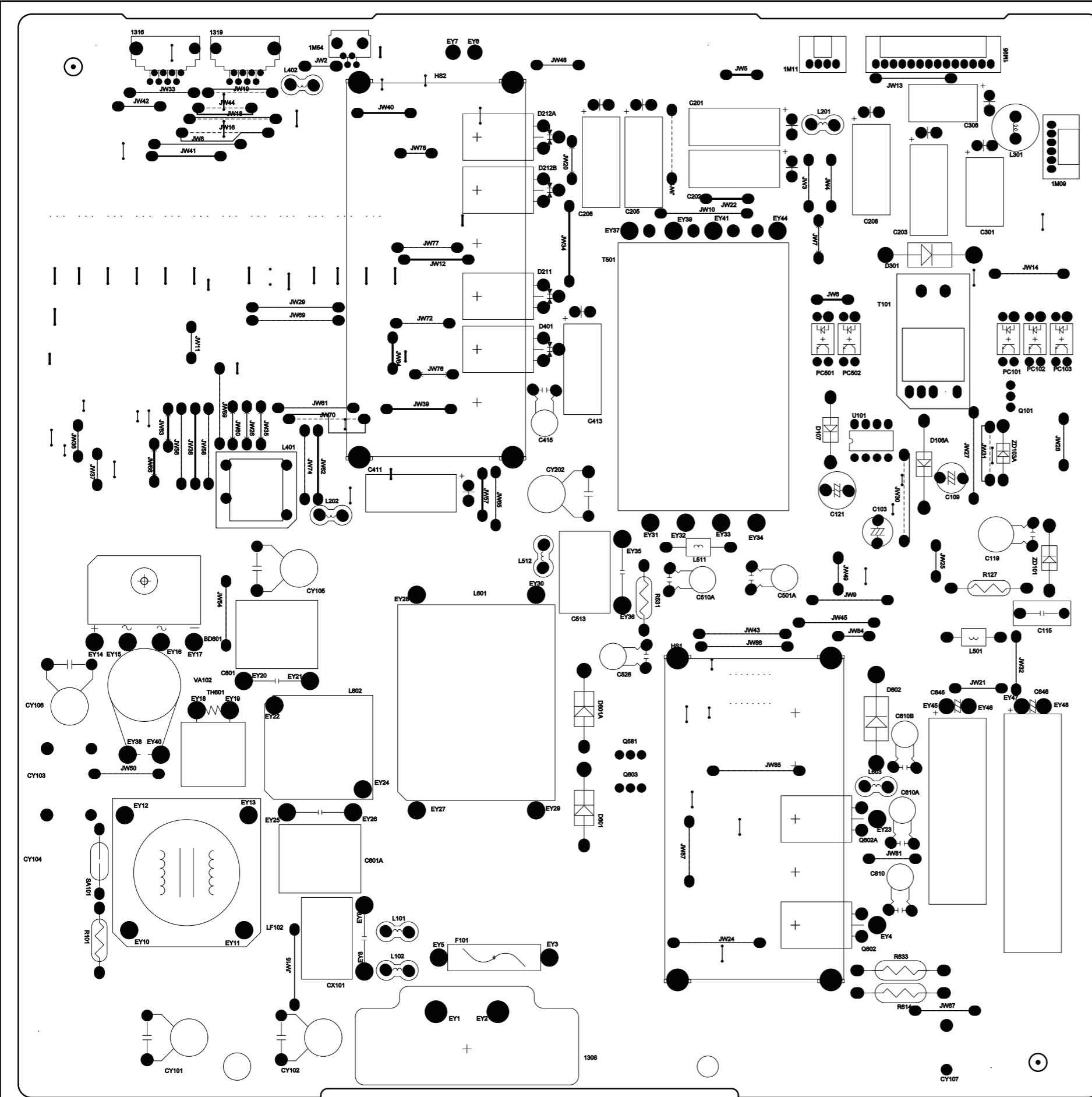
LED Driver	715G5246	1	2012-01-10

10-2-5 Power layout bottom



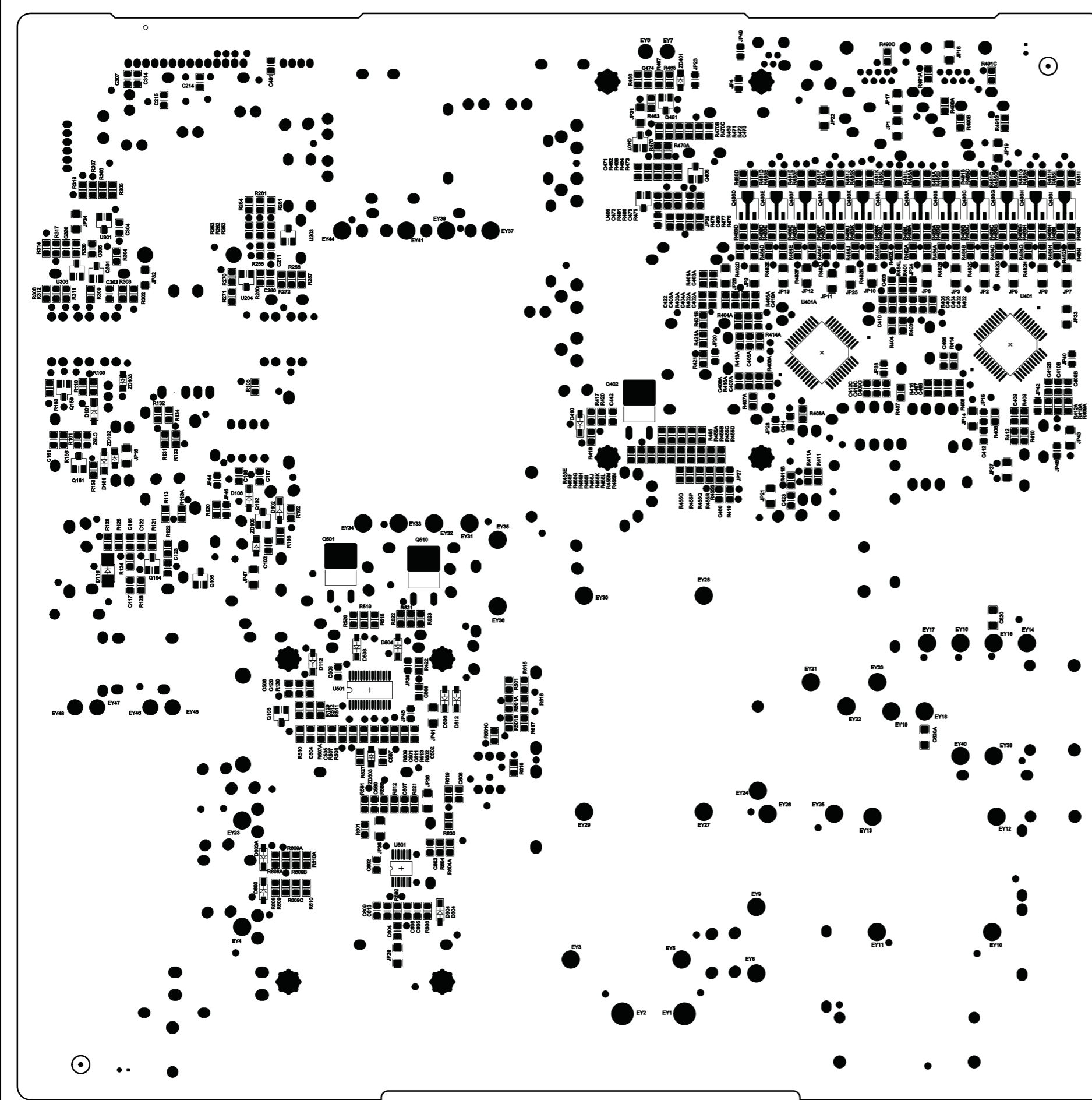
Power layout bottom	715G5246	1	2011-12-22

10-3-3 Layout top



Layout top	2722 171 90638 PLDH-P106B	3	2011-08-18

10-3-4 Layout bottom



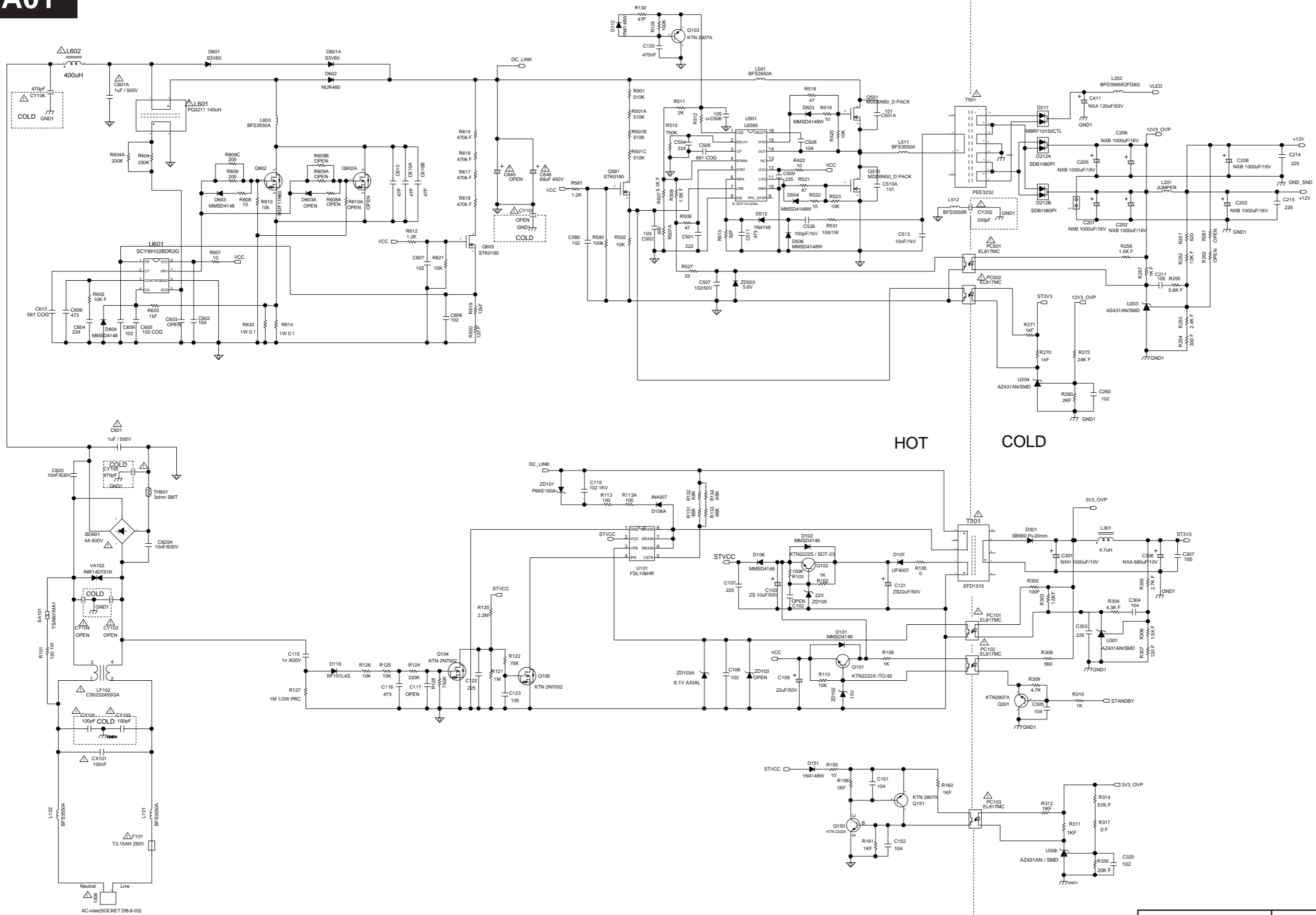
Layout bottom	2722 171 90638 PLDH-P106B	3	2011-08-18

10.4 A 272217190639
10-4-1 A01, PSL

A01

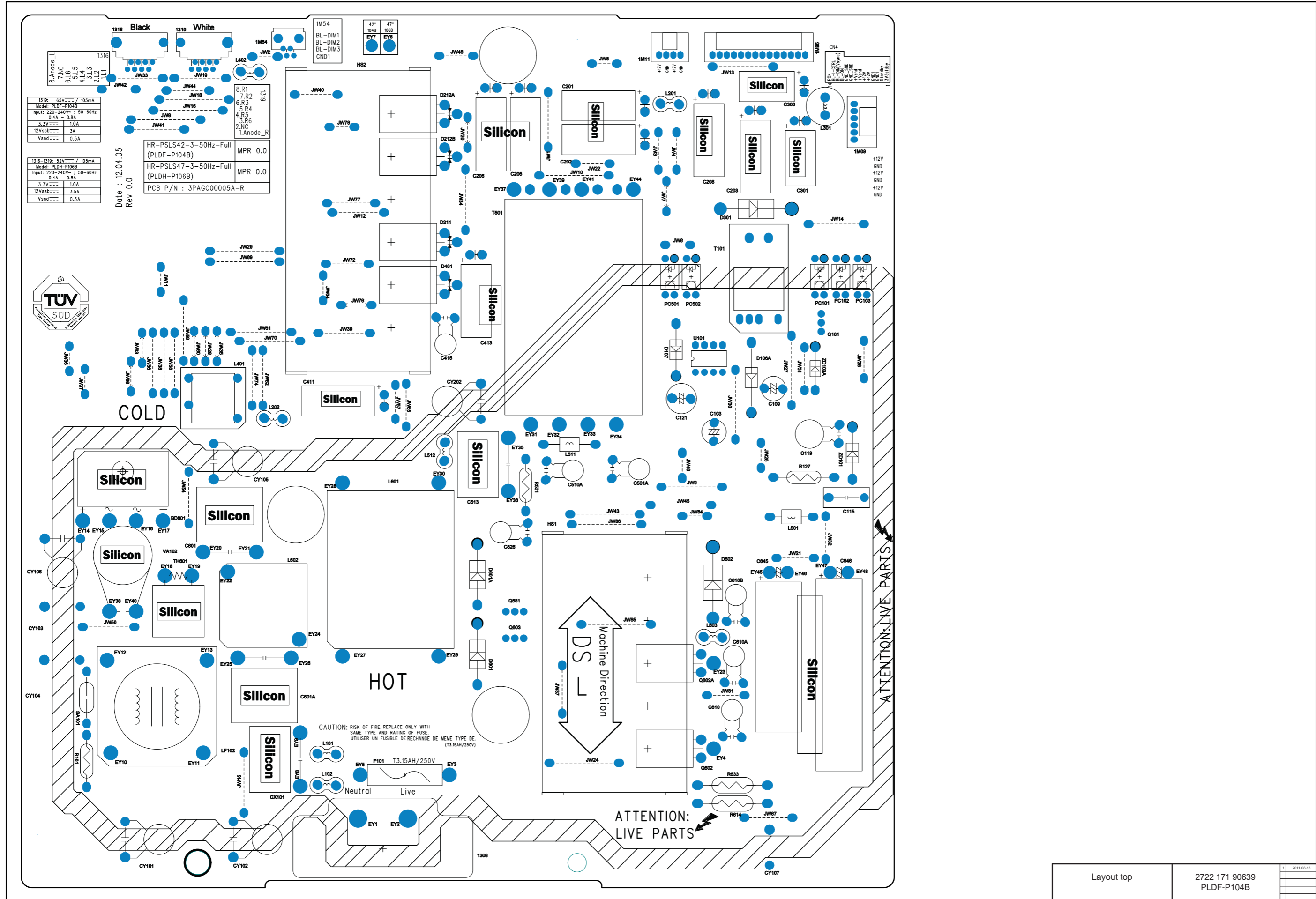
Power Supply Unit with Integrated Led Driver

A01



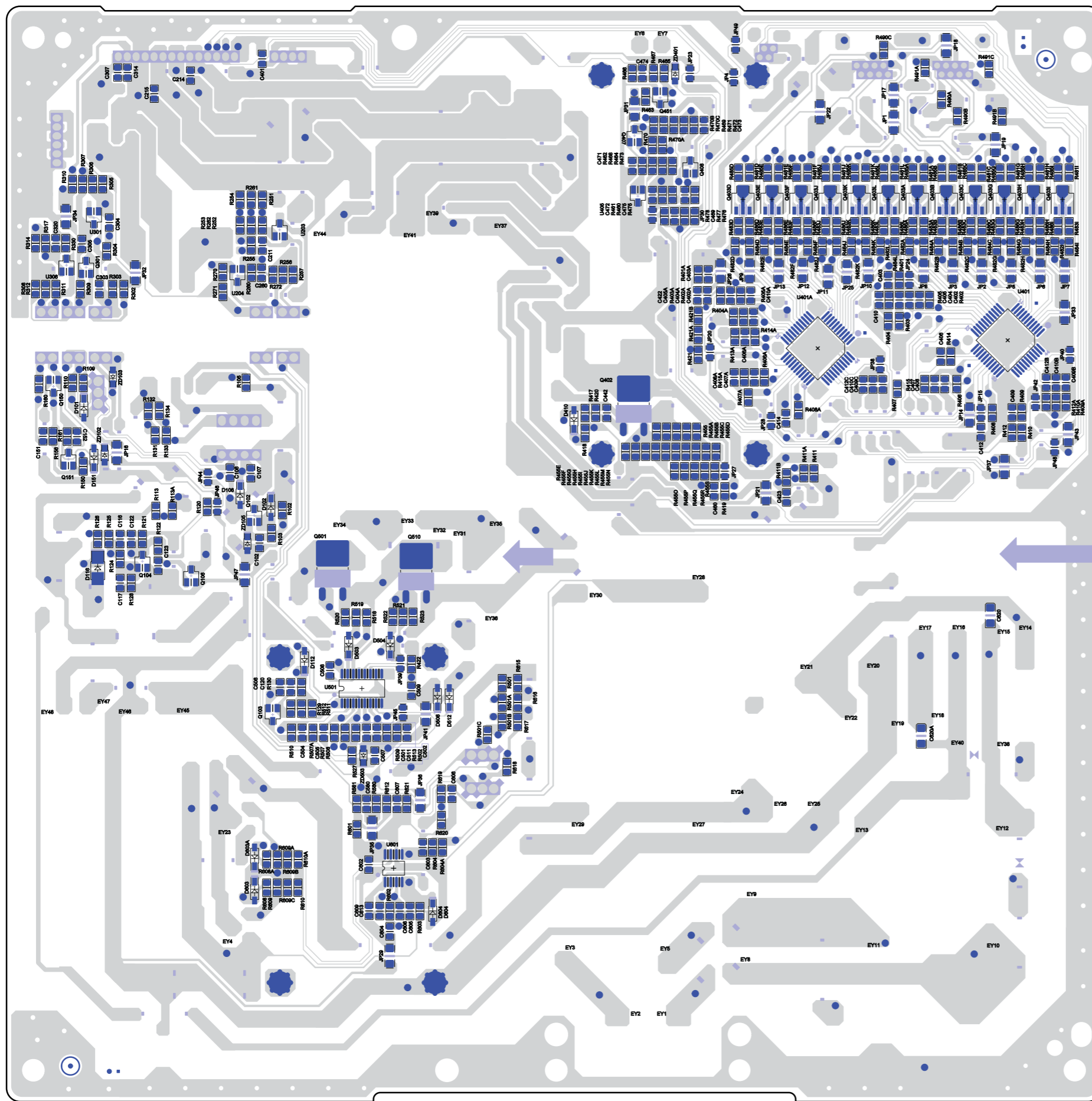
Power Supply Unit with Integrated Led Driver	2722 171 90639 PLDF-P104B	1	2011-08-18

10-4-3 Layout top



Layout top	2722 171 90639 PLDF-P104B	2011-08-18
------------	------------------------------	------------

10-4-4 Layout bottom

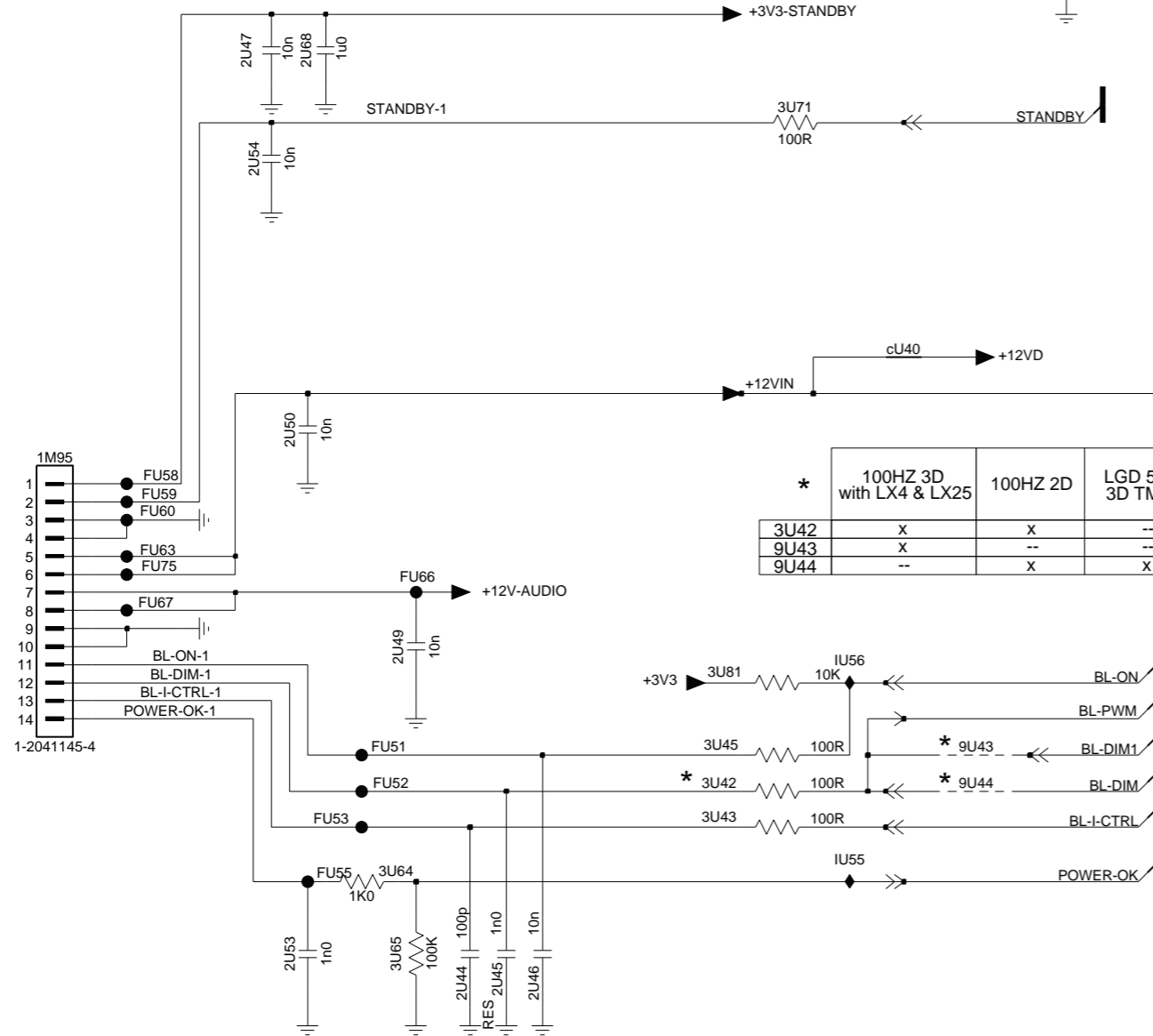
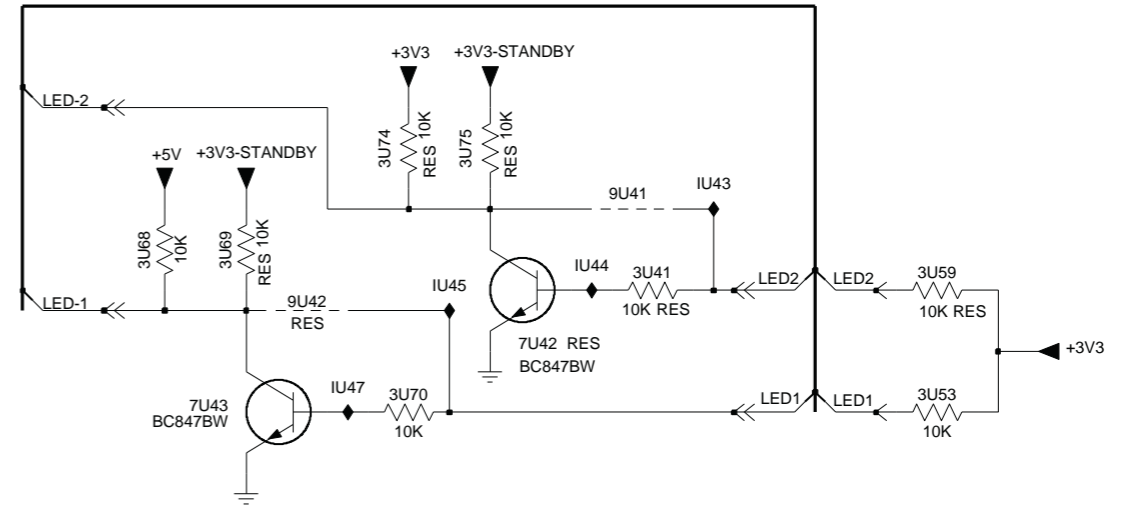
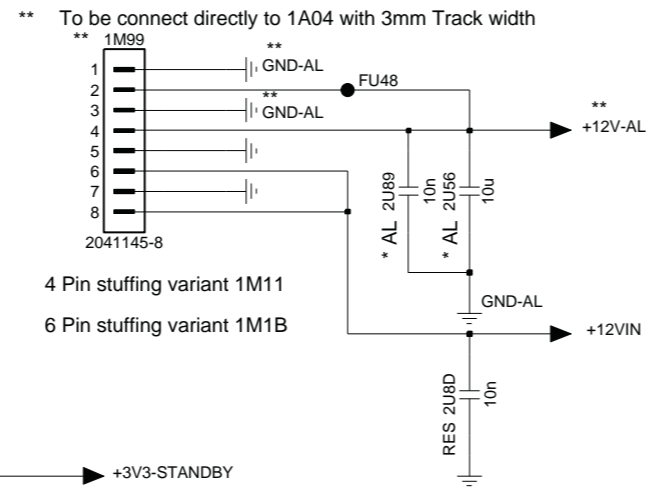
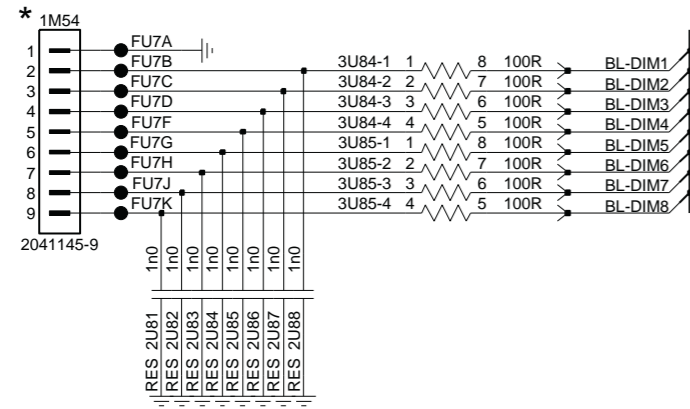


Layout bottom	2722 171 90639 PLDF-P104B	1 2011-08-18

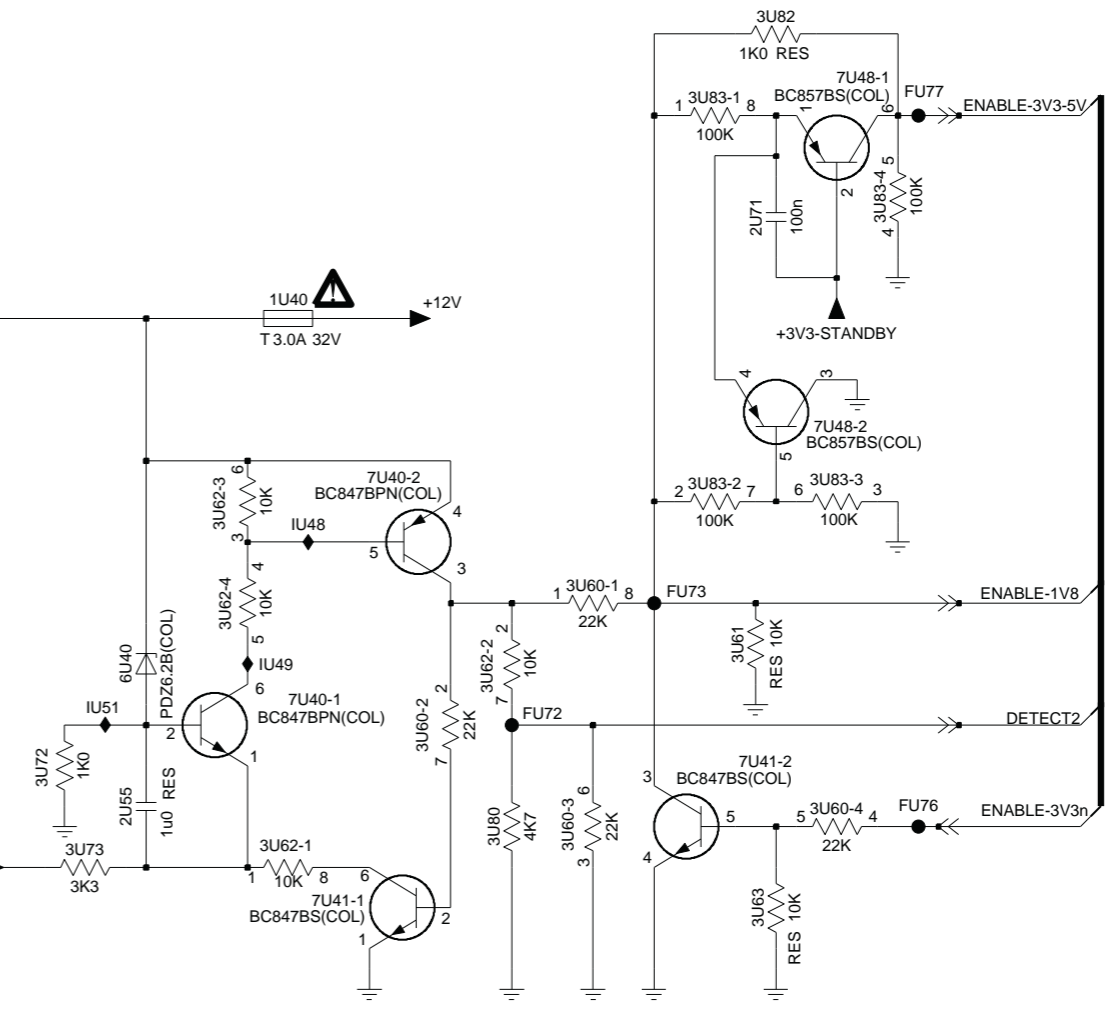
10.5 B 313912365313 SSB
10-5-1 Power connectors

B01A Power connectors

B01A



	100HZ 3D with LX4 & LX25	100HZ 2D	LGD 50HZ 3D TM100
3U42	X	X	--
9U43	X	--	--
9U44	--	X	X



Power connectors	3139 123 6533	4	2012-04-23
		3	2011-12-12
		2	2011-08-25