

Service
Service
Service



Philips Consumer Lifestyle

Service Manual

PRODUCT INFORMATION

Iron

- Coated soleplate
- Steam rate max. 80 g/min
- Steam tip
- Steam trigger
- Iron pilot light
- Vertical steam
- Overheat safety stop (Thermal fuse)

Stand

- Inox boiler pressure max. 3.5 bar
- Boiler volume max. 800 ml
- Steam ready in 6 minutes
- Hose cord storage compartment
- Hose cord length 1.7 m
- Power cord length 1.9 m
- Power on light
- Overheat safety stop (Thermal fuse)
- Iron pad

EMF & Service Information

- This product meets the requirements regarding interference suppression on radio & TV.
- After the product has been repaired, it should function properly & has to meet the safety requirements as officially laid down at this moment.

TECHNICAL INFORMATION

Voltage	: 230 V
Frequency	: 50 - 60 Hz
Power - Iron	: 800 W
- Boiler	: 1370 W
Dimension	: 260 mm x 385 mm x 375 mm
Weight	: 3.9 kg

Water advice

If the tap water in your area is very hard, it is advisable to mix the tap water with an equal amount of demineralised water.

Iron pad

A heat resistant iron pad is provided for resting the iron during operation.

- GROMMET
- INLAY
- BACKPLATE
- MICROSWITCH
- LAMP ASSY

Remove Screw A
 Pull the GROMMET outwards.

Note:
 Follow direction of arrow 1 in Picture below.

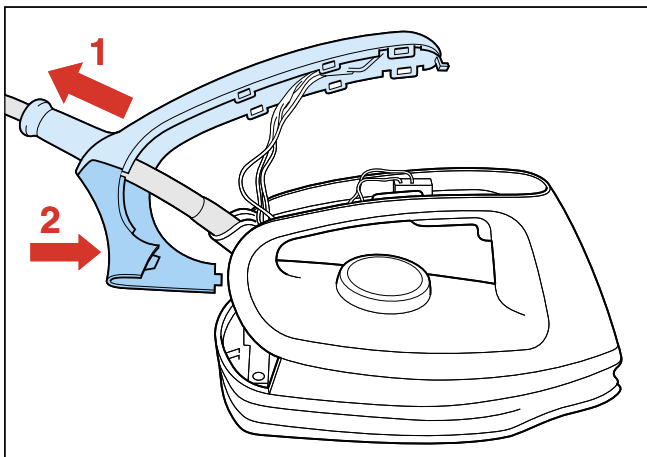
This will disassemble INLAY-GROMMET-BACKPLATE together.

Note:
 Disassemble BACKPLATE by pressing in the direction of arrow 2 in Picture below.

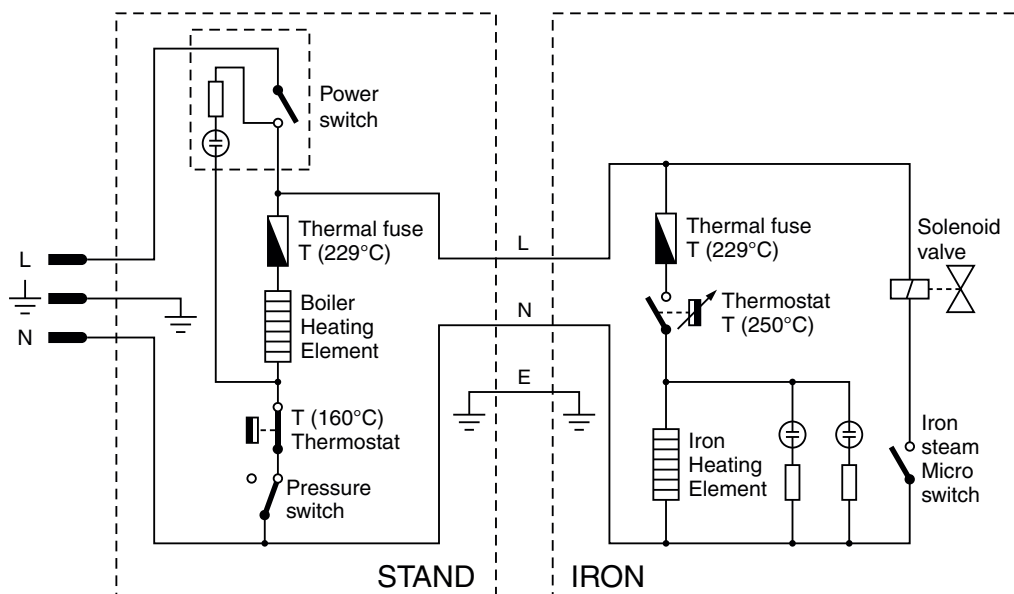
Remove Screw B
 Disassemble Microswitch holder
 Disassemble MICROSWITCH

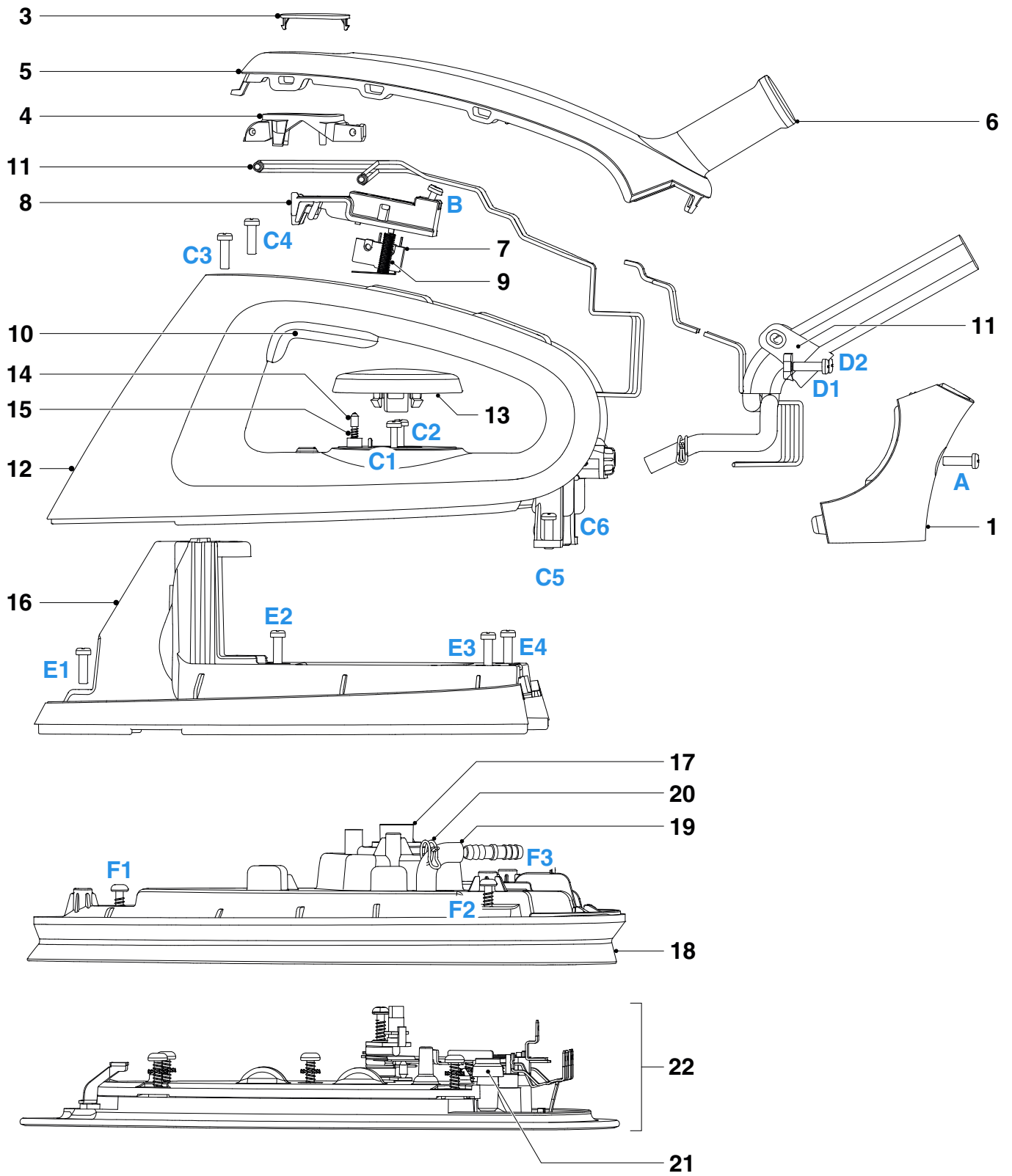
- THERMOSTAT DIAL
- IRON HOUSING
- IRON SUB-HOUSING
- SOLEPLATE COVER
- SOLEPLATE ASSY

Remove Screws C1 – C6
 Remove Screws D1, D2
 Disassemble IRON HOUSING
 Remove Screws E1 – E4
 Disassemble IRON SUB-HOUSING
 Remove Screws F1 – F3
 Disassemble SOLEPLATE COVER



Pos	Service code	Description
1	4239 022 60350	Backplate
2	4239 022 60140	Iron cord clamp
3	4239 022 60360	Inlay deco
4	4239 022 60160	Light ring
5	4239 022 60370	Inlay
6	4239 022 60380	Grommet
7	4239 022 60190	Microswitch
8	4239 022 60200	Switch holder
9	4239 022 60210	Trigger spring
10	4239 022 60390	Trigger
11	4239 022 60230	Lamp assy
12	4239 022 60400	Iron housing
13	4239 022 60410	Thermostat dial
14	4239 022 60260	Dial sounder
15	4239 022 60270	Compression spring
16	4239 022 60420	Iron sub-housing
17	4239 022 60290	Thermostat bush
18	4239 022 60430	Soleplate cover
19	4239 022 60310	Braided rubber hose
20	4239 022 60320	Hose clip
21	4239 022 60330	Ryton ring
22	4239 022 60440	Soleplate mounted assy





SAFETY CAP ASSY
STAND HOUSING BASE
STAND HOUSING SIDE
HOSE-CORD STORAGE COMPARTMENT
POWER CORD
HOSE-CORD ASSY
CONNECTION BOX
BOILER ASSY
ELECTROVALVE
IRON TRAY
ROCKER SWITCH
STAND HOUSING TOP

Remove SAFETY CAP ASSY

Note:

Empty water in boiler

- Turn Stand assy upside down
- Remove Screws G1 – G7
- Disassemble STAND HOUSING BASE
- Disassemble STAND HOUSING SIDE
- Remove Screws H1 – H3
- Disassemble HOSE-CORD STORAGE COMPARTMENT
- Remove Screws J1 – J3
- Disassemble Cord clamp
- Disassemble POWER CORD
- Disassemble HOSE-CORD ASSY
- Disassemble CONNECTION BOX
- Disassemble BOILER ASSY
- Remove Screws K1 – K6
- Disassemble IRON TRAY
- Remove Screws N1, N2
- Disassemble ROCKER SWITCH BRACKET
- Disassemble ROCKER SWITCH

Pos	Service code	Description
30	4239 022 60630	Stand housing base
31	4239 022 60640	Rubber foot
32	4239 022 60650	Hose-cord storage compartment
33	4239 022 60860	Stand housing side
34	4239 022 60670	Hose-cord clamp
35	4239 022 60680	Stand housing top
36	4239 022 60870	Iron tray
38	4239 022 60880	Silicon for tray
39	4239 022 60710	Connection box
40	4239 022 60890	Safety cap assy
45	4239 022 60730	Safety valve rubber
46	4239 022 60740	Rocker switch bracket
47	4239 022 60900	Rocker switch
53	4239 022 60760	Boiler assy
54	4239 022 60770	Power cord
55	4239 022 60780	Hose-cord assy
56	4239 022 60790	Electrovalve
57	4239 022 60910	Iron pad

