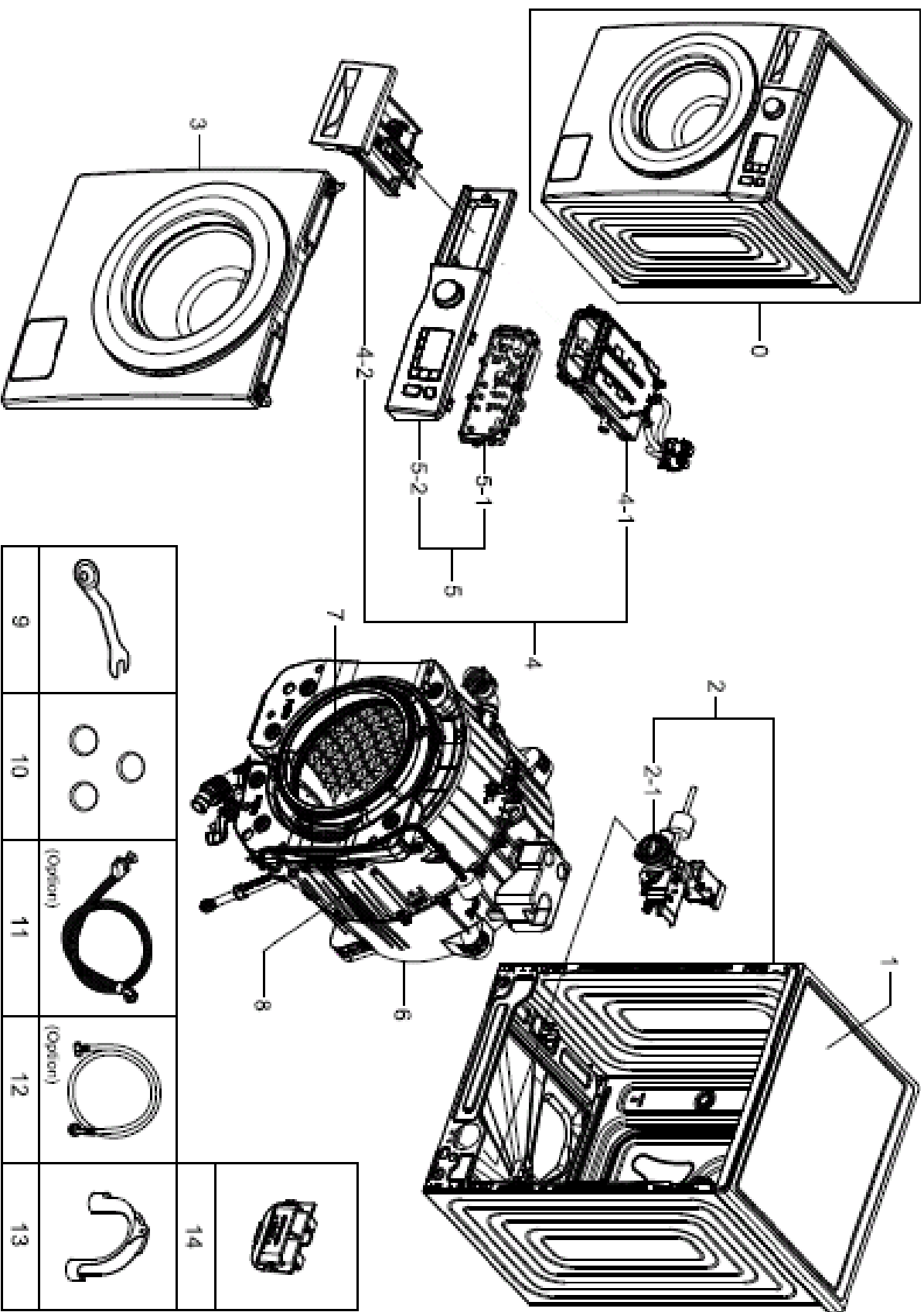


# 1. Main

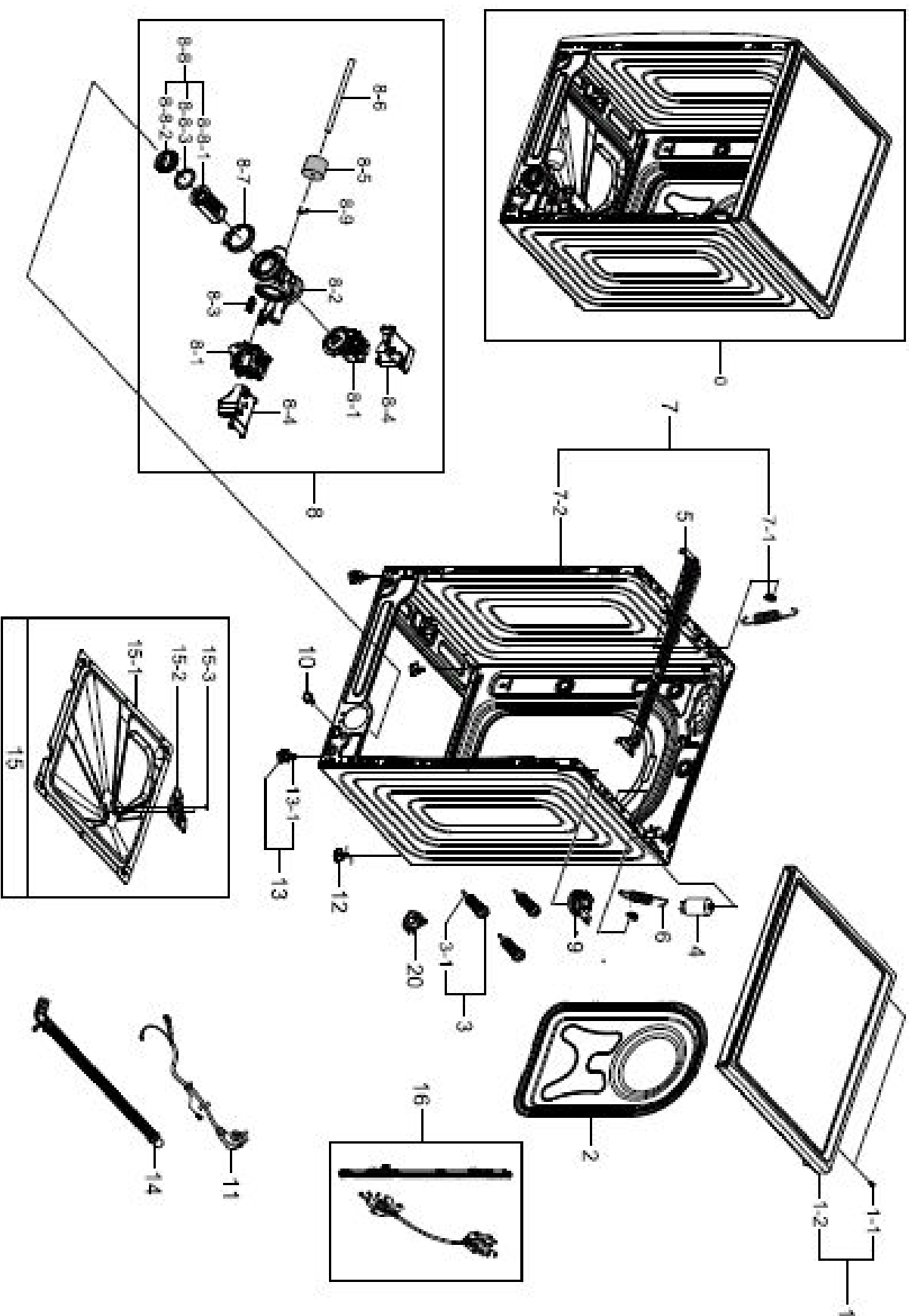
Exploded View



9					
10					
11		(Option)			
12		(Option)			
13					
14					

# 1.1. Frame & Cover Parts

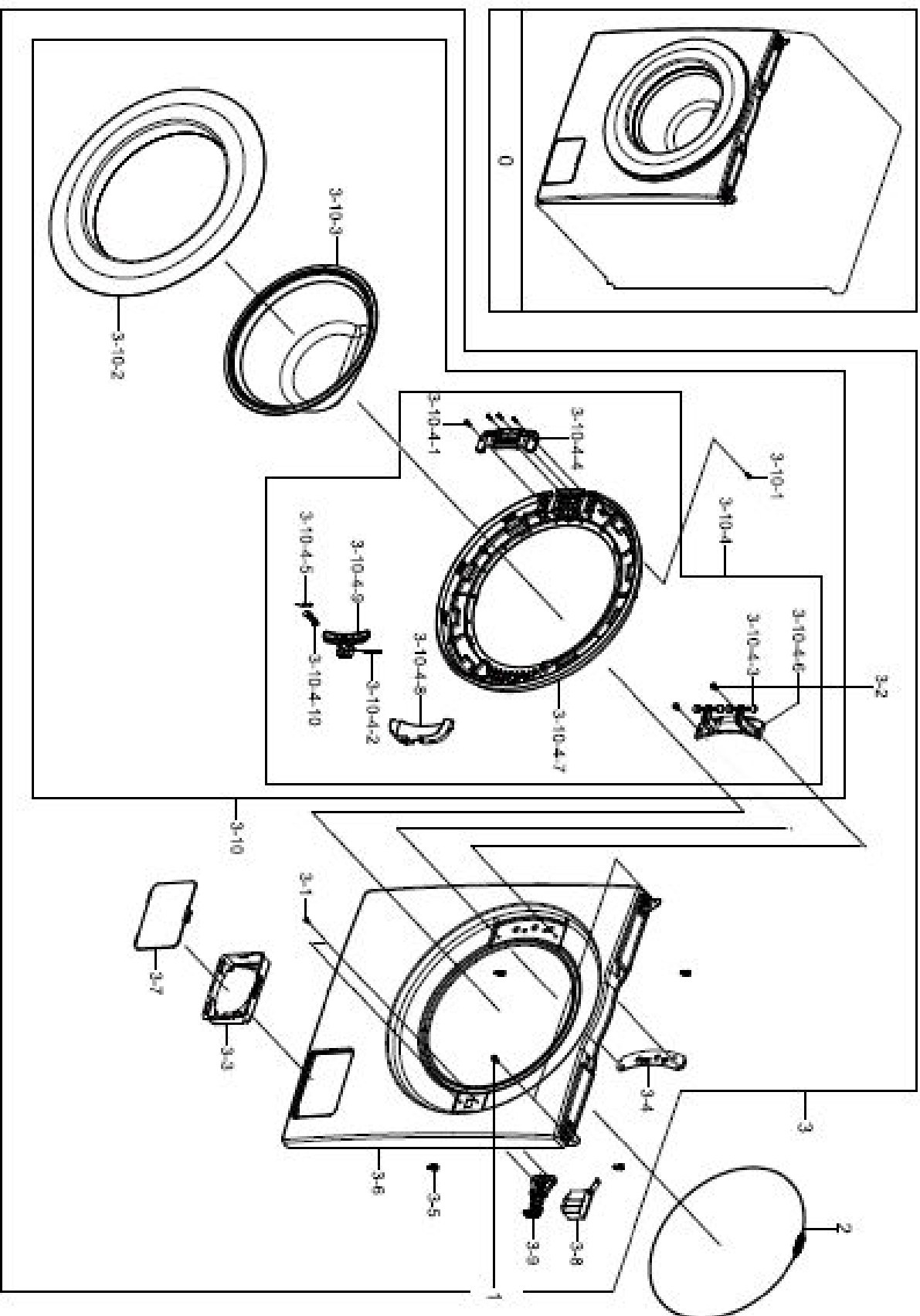
Exploded View





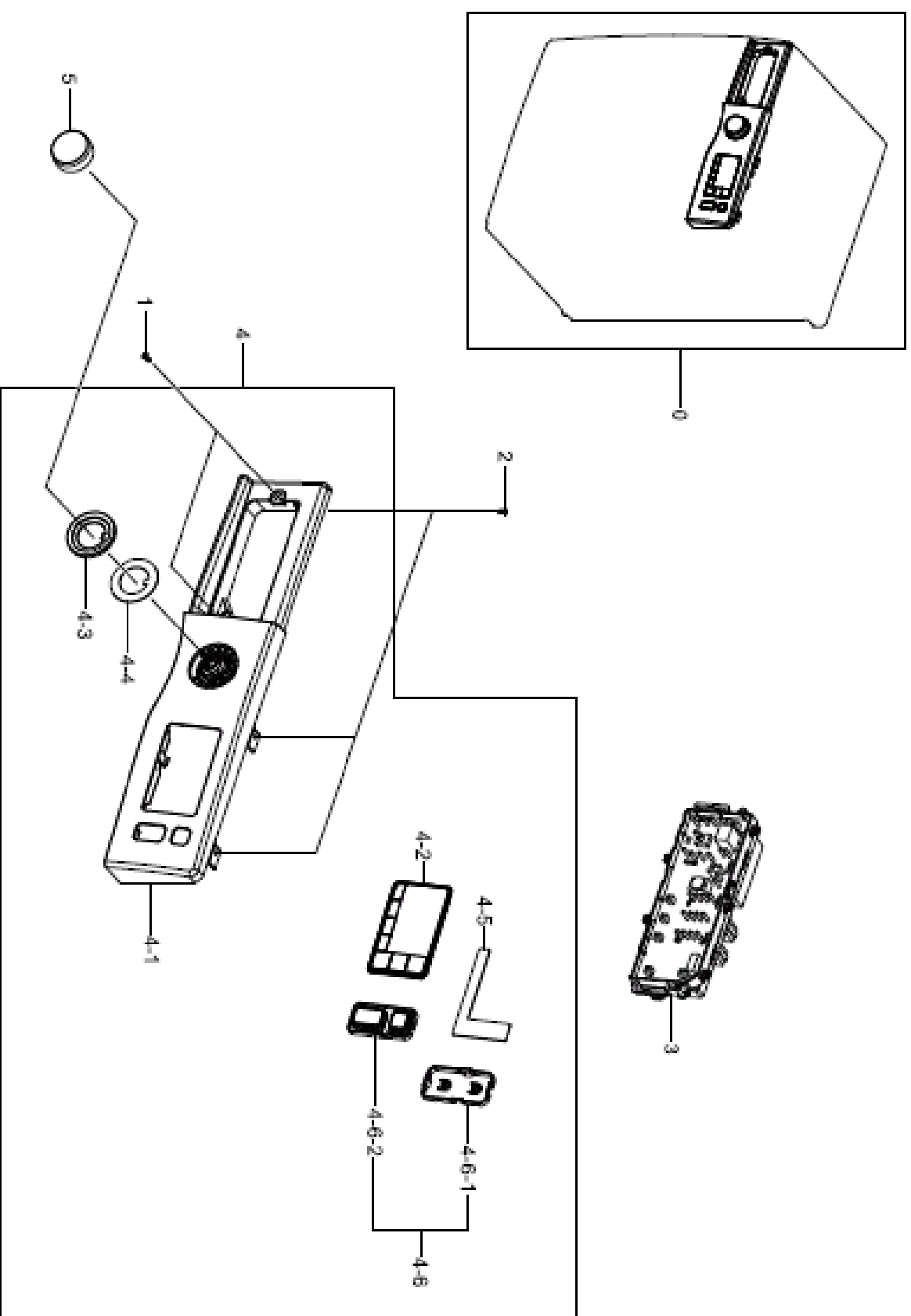
### 1.3. Assy Front

Exploded View



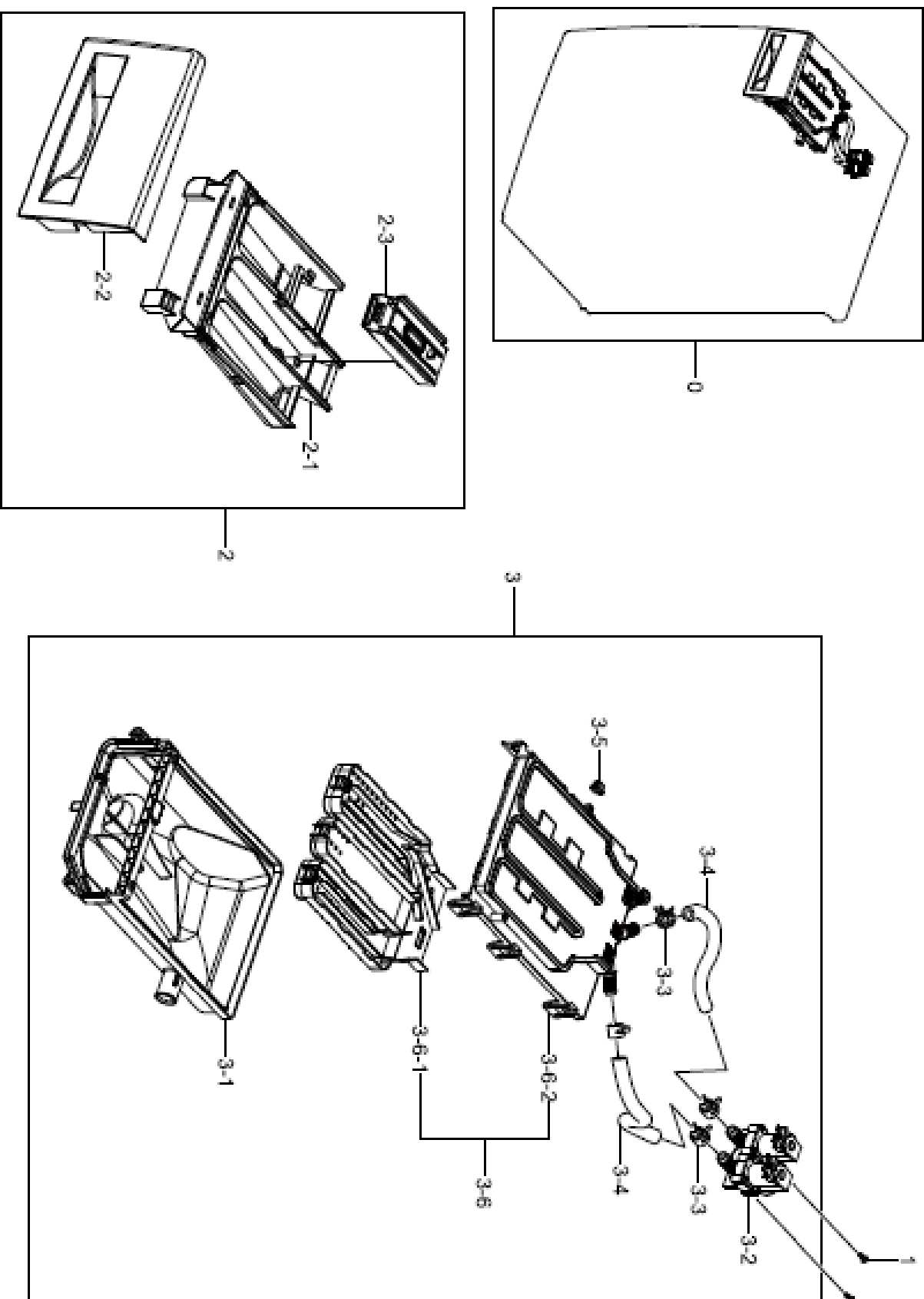
## 1.4. Assy Panel Control

### Exploded View



# 1.5. Assy Drawer

Exploded View











Exploded Views and Parts List

---

## 1.6. Small Parts

---

Exploded View

							
1	2	3	4	5	6	7	8