

Service
Service
Service

First Generation



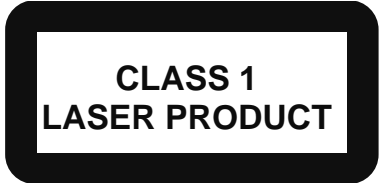
Service Manual

TABLE OF CONTENTS

| | Page |
|--|------|
| Technical Specifications | 1-2 |
| Safety Instruction, Warning & Notes..... | 1-3 |
| Mechanical and Dismantling Instructions | 2 |
| Software Version & Upgrades, Region Code Change..... | 3 |
| Trouble Shooting Chart | 4 |
| Set Wiring Diagram | 5 |
| Electrical Diagrams and PCB layouts..... | 6 |
| Set Mechanical Exploded view & Parts List | 7 |
| Revision List | 8 |

This service manual is for BDP3100/5100 First Generation model, which is different from the second generation BDP3100/5100 model.

For First Generation model, the serial number begins with KX 1A xxxxxxxxxx and SM 1A xxxxxxxxxx..
(Chipset Type: MT8530FEFG, OPU: SANYO 412V)



© Copyright 2010 Philips Consumer Electronics B.V. Eindhoven, The Netherlands
All rights reserved. No part of this publication may be reproduced, stored in a retrieval system or transmitted, in any form or by any means, electronic, mechanical, photocopying, or otherwise without the prior permission of Philips.

3141 785 34615

Version 1.5



PHILIPS

1. Technical Specifications, Directions for Use

Index of this chapter:

[1.1 Technical Specifications](#)

[1.2 Directions for Use](#)

Notes:

- Figures can deviate due to the different set executions.
- Specifications are indicative (subject to change).

1.1 Technical Specifications

For on-line product support please use the following website:

http://www.p4c.philips.com/cgi-bin/dcbint/cpproduct_selector.pl

Here is product information available, as well as getting started, user manuals, frequently asked questions and software & drivers.

1.2 Directions for Use

You can download this information from the following websites:

<http://www.philips.com/support>

<http://www.p4c.philips.com>

2. Safety Instructions, Warnings, Notes, and Abbreviation List

Index of this chapter:

[2.1 Safety Instructions](#)

[2.2 Warnings](#)

[2.3 Notes](#)

[2.4 Abbreviation List](#)

2.1 Safety Instructions

Safety regulations require the following **during** a repair:

- Connect the set to the Mains/AC Power via an isolation transformer (> 800 VA).
- Replace safety components, indicated by the symbol ▲, only by components identical to the original ones. Any other component substitution (other than original type) may increase risk of fire or electrical shock hazard.

Safety regulations require that **after** a repair, the set must be returned in its original condition. Pay in particular attention to the following points:

- Route the wire trees correctly and fix them with the mounted cable clamps.
- Check the insulation of the Mains/AC Power lead for external damage.
- Check the strain relief of the Mains/AC Power cord for proper function.
- Check the electrical DC resistance between the Mains/AC Power plug and the secondary side (only for sets that have a Mains/AC Power isolated power supply):
 1. Unplug the Mains/AC Power cord and connect a wire between the two pins of the Mains/AC Power plug.
 2. Set the Mains/AC Power switch to the "on" position (keep the Mains/AC Power cord unplugged!).
 3. Measure the resistance value between the pins of the Mains/AC Power plug and the metal shielding of the tuner or the aerial connection on the set. The reading should be between 4.5 MΩ and 12 MΩ.
 4. Switch "off" the set, and remove the wire between the two pins of the Mains/AC Power plug.
- Check the cabinet for defects, to prevent touching of any inner parts by the customer.

2.2 Warnings

- All ICs and many other semiconductors are susceptible to electrostatic discharges (ESD ⚡). Careless handling during repair can reduce life drastically. Make sure that, during repair, you are connected with the same potential as the mass of the set by a wristband with resistance. Keep components and tools also at this same potential.
- Be careful during measurements in the high voltage section.
- Never replace modules or other components while the unit is switched "on".
- When you align the set, use plastic rather than metal tools. This will prevent any short circuits and the danger of a circuit becoming unstable.

2.3 Notes

2.3.1 General

- Measure the voltages and waveforms with regard to the chassis (= tuner) ground (⊥), or hot ground (↕), depending on the tested area of circuitry. The voltages and waveforms shown in the diagrams are indicative. Measure them in the Service Default Mode (see chapter 5) with a colour bar signal and stereo sound (L: 3 kHz, R: 1 kHz unless stated otherwise) and picture carrier at 475.25 MHz for PAL, or 61.25 MHz for NTSC (channel 3).

- Where necessary, measure the waveforms and voltages with (⊥) and without (↕) aerial signal. Measure the voltages in the power supply section both in normal operation (⊕) and in stand-by (⓪). These values are indicated by means of the appropriate symbols.

2.3.2 Schematic Notes

- All resistor values are in ohms, and the value multiplier is often used to indicate the decimal point location (e.g. 2K2 indicates 2.2 kΩ).
- Resistor values with no multiplier may be indicated with either an "E" or an "R" (e.g. 220E or 220R indicates 220 Ω).
- All capacitor values are given in micro-farads ($\mu = \times 10^{-6}$), nano-farads ($n = \times 10^{-9}$), or pico-farads ($p = \times 10^{-12}$).
- Capacitor values may also use the value multiplier as the decimal point indication (e.g. 2p2 indicates 2.2 pF).
- An "asterisk" (*) indicates component usage varies. Refer to the diversity tables for the correct values.
- The correct component values are listed in the Spare Parts List. Therefore, always check this list when there is any doubt.

2.3.3 BGA (Ball Grid Array) ICs

Introduction

For more information on how to handle BGA devices, visit this URL: www.atyourservice.ce.philips.com (needs subscription, not available for all regions). After login, select "Magazine", then go to "Repair downloads". Here you will find Information on how to deal with BGA-ICs.

BGA Temperature Profiles

For BGA-ICs, you **must** use the correct temperature-profile, which is coupled to the 12NC. For an overview of these profiles, visit the website www.atyourservice.ce.philips.com (needs subscription, but is not available for all regions)

You will find this and more technical information within the "Magazine", chapter "Repair downloads".

For additional questions please contact your local repair help desk.

2.3.4 Lead-free Soldering

Due to lead-free technology some rules have to be respected by the workshop during a repair:

- Use only lead-free soldering tin Philips SAC305 with order code 0622 149 00106. If lead-free solder paste is required, please contact the manufacturer of your soldering equipment. In general, use of solder paste within workshops should be avoided because paste is not easy to store and to handle.
- Use only adequate solder tools applicable for lead-free soldering tin. The solder tool must be able:
 - To reach a solder-tip temperature of at least 400°C.
 - To stabilize the adjusted temperature at the solder-tip.
 - To exchange solder-tips for different applications.
- Adjust your solder tool so that a temperature of around 360°C - 380°C is reached and stabilized at the solder joint. Heating time of the solder-joint should not exceed ~ 4 sec. Avoid temperatures above 400°C, otherwise wear-out of tips will increase drastically and flux-fluid will be destroyed. To avoid wear-out of tips, switch "off" unused equipment or reduce heat.
- Mix of lead-free soldering tin/parts with leaded soldering tin/parts is possible but PHILIPS recommends strongly to **avoid** mixed regimes. If this cannot be avoided, carefully clear the solder-joint from old tin and re-solder with new tin.

Safety Instructions, Warnings, Notes, and Abbreviation List

2.3.5 Alternative BOM identification

It should be noted that on the European Service website, "Alternative BOM" is referred to as "Design variant".

The **third digit** in the serial number (example: KX2B0835000001) indicates the number of the alternative B.O.M. (Bill Of Materials) that has been used for producing the specific AV set. In general, it is possible that the same AV model on the market is produced with e.g. two different types of display, coming from two different suppliers. This will then result in sets which have the same CTN (Commercial Type Number; e.g. MCM394/12) but which have a different B.O.M. number.

Also, it is possible that same model on the market is produced with two production centers, however their partslist is the same. In such case, no alternative B.O.M. will be created.

By looking at the third digit of the serial number, one can identify which B.O.M. is used for the set he is working with. If the third digit of the serial number contains the number "1" (example: KX1B033500001), then the set has been manufactured according to B.O.M. number 1. If the third digit is a "2" (example: KX2B033500001), then the set has been produced according to B.O.M. no. 2. This is important for ordering the correct spare parts!
For the third digit, the numbers 1...9 and the characters A...Z can be used, so in total: 9 plus 26= 35 different B.O.M.s can be indicated by the third digit of the serial number.

Identification: The bottom line of a type plate gives a 14-digit serial number. Digits 1 and 2 refer to the production centre (e.g. LM is Arts), digit 3 refers to the B.O.M. code, digit 4 refers to the Service version change code, digits 5 and 6 refer to the production year, and digits 7 and 8 refer to production week (in example below it is 2008 week 50). The 6 last digits contain the serial number.



Figure 2-1 Serial number (example)

2.3.6 Module Level Repair (MLR) or Component Level Repair (CLR)

If a board is defective, consult your repair procedure to decide if the board has to be exchanged or if it should be repaired on component level.

If your repair procedure says the board should be exchanged completely, do not solder on the defective board. Otherwise, it cannot be returned to the O.E.M. supplier for back charging!

2.3.7 Practical Service Precautions

- **It makes sense to avoid exposure to electrical shock.** While some sources are expected to have a possible dangerous impact, others of quite high potential are of limited current and are sometimes held in less regard.
- **Always respect voltages.** While some may not be dangerous in themselves, they can cause unexpected reactions that are best avoided. Before reaching into a powered TV set, it is best to test the high voltage insulation. It is easy to do, and is a good service precaution.

2.4 Abbreviation List

| | |
|----------|--|
| 0/6/12 | SCART switch control signal on AV board. 0 = loop through (AUX to TV), 6 = play 16 : 9 format, 12 = play 4 : 3 format |
| 2DNR | Spatial (2D) Noise Reduction |
| 3DNR | Temporal (3D) Noise Reduction |
| AARA | Automatic Aspect Ratio Adaptation: algorithm that adapts aspect ratio to remove horizontal black bars; keeps the original aspect ratio |
| ACI | Automatic Channel Installation: algorithm that installs TV channels directly from a cable network by means of a predefined TXT page |
| ADC | Analogue to Digital Converter |
| AFC | Automatic Frequency Control: control signal used to tune to the correct frequency |
| AGC | Automatic Gain Control: algorithm that controls the video input of the feature box |
| AM | Amplitude Modulation |
| ANR | Automatic Noise Reduction: one of the algorithms of Auto TV |
| AP | Asia Pacific |
| AR | Aspect Ratio: 4 by 3 or 16 by 9 |
| ASF | Auto Screen Fit: algorithm that adapts aspect ratio to remove horizontal black bars without discarding video information |
| ATSC | Advanced Television Systems Committee, the digital TV standard in the USA |
| ATV | See Auto TV |
| Auto TV | A hardware and software control system that measures picture content, and adapts image parameters in a dynamic way |
| AV | External Audio Video |
| AVC | Audio Video Controller |
| AVIP | Audio Video Input Processor |
| B/G | Monochrome TV system. Sound carrier distance is 5.5 MHz |
| BLR | Board-Level Repair |
| BTSC | Broadcast Television Standard Committee. Multiplex FM stereo sound system, originating from the USA and used e.g. in LATAM and AP-NTSC countries |
| B-TXT | Blue TeleteXT |
| C | Centre channel (audio) |
| CEC | Consumer Electronics Control bus: remote control bus on HDMI connections |
| CL | Constant Level: audio output to connect with an external amplifier |
| CLR | Component Level Repair |
| COLUMBUS | COLOR LUMinance Baseband Universal Sub-system |
| ComPair | Computer aided rePair |
| CP | Connected Planet / Copy Protection |
| CSM | Customer Service Mode |
| CTI | Color Transient Improvement: manipulates steepness of chroma transients |
| CVBS | Composite Video Blanking and Synchronization |
| DAC | Digital to Analogue Converter |
| DBE | Dynamic Bass Enhancement: extra low frequency amplification |
| DDC | See "E-DDC" |

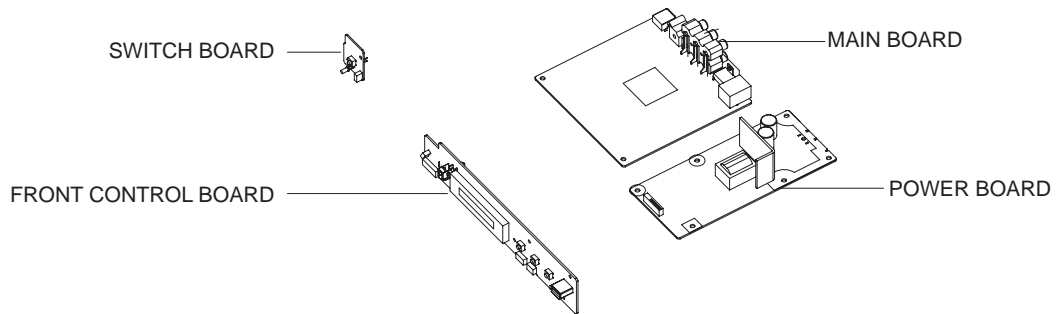
Safety Instructions, Warnings, Notes, and Abbreviation List

| | | | |
|------------------|--|---------|---|
| D/K | Monochrome TV system. Sound carrier distance is 6.5 MHz | | lines. The fields are written in "pairs", causing line flicker. |
| DFI | Dynamic Frame Insertion | IR | Infra Red |
| DFU | Directions For Use: owner's manual | IRQ | Interrupt Request |
| DMR | Digital Media Reader: card reader | ITU-656 | The ITU Radio communication Sector (ITU-R) is a standards body subcommittee of the International Telecommunication Union relating to radio communication. ITU-656 (a.k.a. SDI), is a digitized video format used for broadcast grade video. |
| DMSD | Digital Multi Standard Decoding | | Uncompressed digital component or digital composite signals can be used. |
| DNM | Digital Natural Motion | | The SDI signal is self-synchronizing, uses 8 bit or 10 bit data words, and has a maximum data rate of 270 Mbit/s, with a minimum bandwidth of 135 MHz. |
| DNR | Digital Noise Reduction: noise reduction feature of the set | | |
| DRAM | Dynamic RAM | | |
| DRM | Digital Rights Management | | |
| DSP | Digital Signal Processing | | |
| DST | Dealer Service Tool: special remote control designed for service technicians | | |
| DTCP | Digital Transmission Content Protection; A protocol for protecting digital audio/video content that is traversing a high speed serial bus, such as IEEE-1394 | ITV | Institutional TeleVision; TV sets for hotels, hospitals etc. |
| DVB-C | Digital Video Broadcast - Cable | JOP | Jaguar Output Processor |
| DVB-T | Digital Video Broadcast - Terrestrial | LS | Last Status; The settings last chosen by the customer and read and stored in RAM or in the NVM. They are called at start-up of the set to configure it according to the customer's preferences |
| DVD | Digital Versatile Disc | | Latin America |
| DVI(-d) | Digital Visual Interface (d= digital only) | | Liquid Crystal Display |
| E-DDC | Enhanced Display Data Channel (VESA standard for communication channel and display). Using E-DDC, the video source can read the EDID information from the display. | LATAM | Light Emitting Diode |
| EDID | Extended Display Identification Data (VESA standard) | LCD | Monochrome TV system. Sound carrier distance is 6.5 MHz. L' is Band I, L is all bands except for Band I |
| EEPROM | Electrically Erasable and Programmable Read Only Memory | LED | Local REgression approximation |
| EMI | Electro Magnetic Interference | L/L' | noise reduction |
| EPLD | Erasable Programmable Logic Device | LORE | LG.Philips LCD (supplier) |
| EU | Europe | LPL | Loudspeaker |
| EXT | EXTernal (source), entering the set by SCART or by cinches (jacks) | LS | Loudspeaker |
| FBL | Fast BLanking: DC signal accompanying RGB signals | LVDS | Low Voltage Differential Signalling |
| FDS | Full Dual Screen (same as FDW) | Mbps | Mega bits per second |
| FDW | Full Dual Window (same as FDS) | M/N | Monochrome TV system. Sound carrier distance is 4.5 MHz |
| FLASH | FLASH memory | MIPS | Microprocessor without Interlocked Pipeline-Stages; A RISC-based microprocessor |
| FM | Field Memory or Frequency Modulation | | Matrix Output Processor |
| FPGA | Field-Programmable Gate Array | MOP | Metal Oxide Silicon Field Effect Transistor, switching device |
| FTV | Flat TeleVision | MOSFET | Motion Pictures Experts Group |
| Gb/s | Giga bits per second | MPEG | Multi Platform InterFace |
| G-TXT | Green TeleteXT | MPIF | MUTE Line |
| H | H_sync to the module | MUTE | MUTE Line |
| HD | High Definition | NC | Not Connected |
| HDD | Hard Disk Drive | NICAM | Near Instantaneous Compounded Audio Multiplexing. This is a digital sound system, mainly used in Europe. |
| HDCP | High-bandwidth Digital Content Protection: A "key" encoded into the HDMI/DVI signal that prevents video data piracy. If a source is HDCP coded and connected via HDMI/DVI without the proper HDCP decoding, the picture is put into a "snow vision" mode or changed to a low resolution. For normal content distribution the source and the display device must be enabled for HDCP "software key" decoding. | NTC | Negative Temperature Coefficient, non-linear resistor |
| HDMI | High Definition Multimedia Interface | NTSC | National Television Standard Committee. Color system mainly used in North America and Japan. Color carrier NTSC M/N= 3.579545 MHz, NTSC 4.43= 4.433619 MHz (this is a VCR norm, it is not transmitted off-air) |
| HP | HeadPhone | | Non-Volatile Memory: IC containing TV related data such as alignments |
| I | Monochrome TV system. Sound carrier distance is 6.0 MHz | O/C | Open Circuit |
| I ² C | Inter IC bus | OSD | On Screen Display |
| I ² D | Inter IC Data bus | OTC | On screen display Teletext and Control; also called Artistic (SAA5800) |
| I ² S | Inter IC Sound bus | P50 | Project 50: communication protocol between TV and peripherals |
| IF | Intermediate Frequency | PAL | Phase Alternating Line. Color system mainly used in West Europe (color carrier= 4.433619 MHz) and South America (color carrier PAL M= |
| Interlaced | Scan mode where two fields are used to form one frame. Each field contains half the number of the total amount of | | |

Safety Instructions, Warnings, Notes, and Abbreviation List

| | | | |
|------------------|---|---------|---|
| | 3.575612 MHz and PAL N= 3.582056 MHz) | V | V-sync to the module |
| PCB | Printed Circuit Board (same as "PWB") | VCR | Video Cassette Recorder |
| PCM | Pulse Code Modulation | VESA | Video Electronics Standards Association |
| PDP | Plasma Display Panel | VGA | 640x480 (4:3) |
| PFC | Power Factor Corrector (or Pre-conditioner) | VL | Variable Level out: processed audio output toward external amplifier |
| PIP | Picture In Picture | VSB | Vestigial Side Band; modulation method |
| PLL | Phase Locked Loop. Used for e.g. FST tuning systems. The customer can give directly the desired frequency | WYSIWYR | What You See Is What You Record: record selection that follows main picture and sound |
| POR | Power On Reset, signal to reset the uP | | 1280x768 (15:9) |
| Progressive Scan | Scan mode where all scan lines are displayed in one frame at the same time, creating a double vertical resolution. | WXGA | Quartz crystal |
| | | XTAL | 1024x768 (4:3) |
| PTC | Positive Temperature Coefficient, non-linear resistor | Y | Luminance signal |
| PWB | Printed Wiring Board (same as "PCB") | Y/C | Luminance (Y) and Chrominance (C) signal |
| PWM | Pulse Width Modulation | YPbPr | Component video. Luminance and scaled color difference signals (B-Y and R-Y) |
| QRC | Quasi Resonant Converter | | Component video |
| QTNR | Quality Temporal Noise Reduction | YUV | |
| QVCP | Quality Video Composition Processor | | |
| RAM | Random Access Memory | | |
| RGB | Red, Green, and Blue. The primary color signals for TV. By mixing levels of R, G, and B, all colors (Y/C) are reproduced. | | |
| RC | Remote Control | | |
| RC5 / RC6 | Signal protocol from the remote control receiver | | |
| RESET | RESET signal | | |
| ROM | Read Only Memory | | |
| R-TXT | Red TeleteXT | | |
| SAM | Service Alignment Mode | | |
| S/C | Short Circuit | | |
| SCART | Syndicat des Constructeurs d'Appareils Radiorécepteurs et Téléviseurs | | |
| SCL | Serial Clock I ² C | | |
| SCL-F | CLock Signal on Fast I ² C bus | | |
| SD | Standard Definition | | |
| SDA | Serial Data I ² C | | |
| SDA-F | DAta Signal on Fast I ² C bus | | |
| SDI | Serial Digital Interface, see "ITU-656" | | |
| SDRAM | Synchronous DRAM | | |
| SECAM | SEequence Couleur Avec Mémoire. Color system mainly used in France and East Europe. Color carriers= 4.406250 MHz and 4.250000 MHz | | |
| SIF | Sound Intermediate Frequency | | |
| SMPS | Switched Mode Power Supply | | |
| SoC | System on Chip | | |
| SOG | Sync On Green | | |
| SOPS | Self Oscillating Power Supply | | |
| S/PDIF | Sony Philips Digital InterFace | | |
| SRAM | Static RAM | | |
| SRP | Service Reference Protocol | | |
| SSB | Small Signal Board | | |
| STBY | STand-BY | | |
| SVGA | 800x600 (4:3) | | |
| SVHS | Super Video Home System | | |
| SW | Software | | |
| SWAN | Spatial temporal Weighted Averaging Noise reduction | | |
| SXGA | 1280x1024 | | |
| TFT | Thin Film Transistor | | |
| THD | Total Harmonic Distortion | | |
| TMDS | Transmission Minimized Differential Signalling | | |
| TXT | TeleteXT | | |
| TXT-DW | Dual Window with TeleteXT | | |
| UI | User Interface | | |
| uP | Microprocessor | | |
| UXGA | 1600x1200 (4:3) | | |

PCBS LOCATION



VERSION VARIATIONS

| Type / Versions | | BDP3100 | | | | | | | | BDP3080 | BDP5100 | | | | |
|---|----------------|---------|-----|-----|-----|-----|-----|-----|------|---------|---------|-----|-----|-----|-----|
| | | /05 | /12 | /51 | /55 | /93 | /96 | /98 | X/78 | /98 | /05 | /12 | /51 | /93 | /98 |
| Board in used | Service policy | | | | | | | | | | | | | | |
| ASSY-POWER BOARD | | M | M | M | C/M | C/M | C/M | C/M | C/M | C/M | M | M | M | C/M | C/M |
| ASSY-MAIN BOARD | | M | M | M | C/M | C/M | C/M | C/M | C/M | C/M | M | M | M | C/M | C/M |
| ASSY-SWITCH BOARD | | M | M | M | M | M | M | M | M | M | M | M | M | M | M |
| ASSY-FRONT CONTROL BOARD | | M | M | M | C/M | C/M | C/M | C/M | C/M | C/M | M | M | M | C/M | C/M |
| * TIPS: C -- Component Lever Repair. M -- Module Lever Repair X -- Used | | | | | | | | | | | | | | | |

Mechanical and Dismantling Instructions

Dismantling Instruction

Detailed information please refer to the model set.

The following guidelines show how to dismantle the player.

Step1: Remove 6 screws around the Top Cover, and then remove the Top Cover (Figure 1).



Figure 1

Step2: If it is necessary to dismantle Loader or Front Panel, the Front door should be removed first. (Figure 2)

Note: Make sure to operate gently otherwise the guider would be damaged.



Please kindly note that dismantle the front door assembly carefully to avoid damage tray and the front door.

Figure 2

Mechanical and Dismantling Instructions

Dismantling Instruction

Detailed information please refer to the model set.

Step3: If the tray can't open in normal way, you can make it through the instruction as below (Figure 3).

Note: Make sure to operate gently otherwise the guider would be damaged.



Figure 3

Step4: Dismantling Front Panel, disconnect the connectors (J3, CN502), need release 3 snaps of Front Panel and 2 snaps of bottom cabinet , then gently pull the Panel out from the set. (Figure 4 - Figure 6)

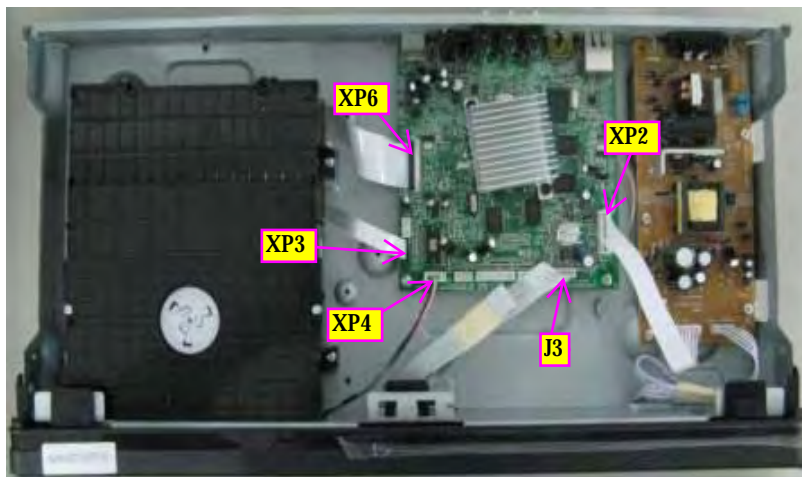


Figure 4

Mechanical and Dismantling Instructions

Dismantling Instruction

Detailed information please refer to the model set.

Step5: Dismantling Loader, disconnect the 3 connectors (XP6, XP3, XP4) aiming in the below figure, and remove 4 screws that connects the loader and the bottom cabinet. (Figure 4-5)

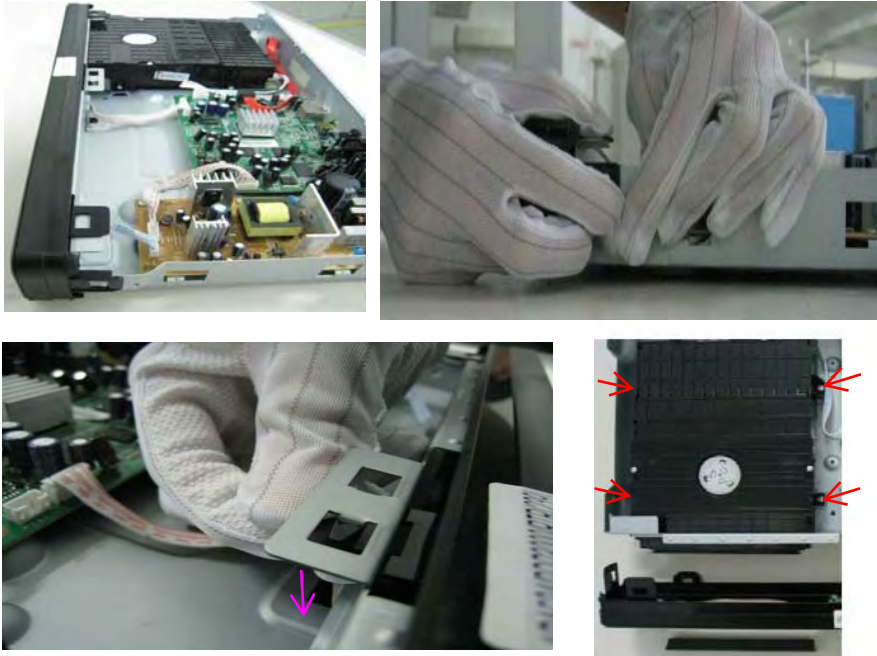


Figure 5

Step6: Dismantling Main Board, first disconnect the connector (XP2), and then remove 6 screws. (Figure 6)

Step7: Disconnect connector (CN504, CN502) and remove 6 screws on Power Board to dismantle the Power Board. (Figure 6)



Figure 6

Software check and upgrade

Preparation to upgrade software

- 1) Start the CD burning software & create a folder named "UPG_ALL",
- 2) Then copy the Bin file (BDP_3100_S_B.bin) OR (BDP_5100_S_B.bin) into it,
- 3) Burn the data onto the blank CD or USB.
- 4) If the model is BDP3100, must use (BDP_3100_S_X.bin) to upgrade
If the model is BDP5100, must use (BDP_5100_S_X.bin) to upgrade
X(A;B;C) If the model BD code is A,,X=A;BD code is B,X=B;BD code is C,X=C

A. Procedure for software upgrade

A) Upgrade software via Disc

- 1) Power on the set and insert the prepared Upgrade CDR.
- 2) The set will start reading disc & response with the following display TV screen:
Now searching for upgrade software!
Please wait...!

Still

- 3) Press <OK> button to confirm, then screen will display :

An upgrade software has been found!
Start upgrade with version:WKXXX.X?

Cancel

Start

- 4) Press Right cursor button to choose "Start", then press <OK>;
- 5) The software will upgrade and screen will display as below:
Upgrade is ongoing, Please wait...
Please do not unplug or switch off the device.
- 6) The screen will display as below when upgrading complete:
Upgrade has completed successfully!
Power off after 5s.

Power Off

- 5) Restart the set.

B) Upgrade software via network:

- 1) Setup the network connection (See "Getting started">"Set up network").
- 2) In the Home menu, select <Setting>-<Advanced Setup>-<Software Download>-<Network>.
- * You are prompted to start upgrading processes if upgrade media is detected.
- 3) Follow the instructions on the TV screen to confirm update operation.
- * Once software update is complete, this player automatically turns off to standby.
- 4) Disconnect the power cord for a few seconds and connect again to turn on the player.

C) Update software via USB Flash Drive:

- 1) Go to www.philips.com/support to check if the latest software version is available for this player.
- 2) Download the software onto a USB flash drive.
- 3) Insert the USB flash drive to the USB jack of the rear panel.
- 4) In the Home menu, select <Setup>-<Advanced Setup>-<Software Update>-<USB>.
- 5) Follow the instructions on the TV screen to confirm update operation.
- * Once software update is complete, this player automatically turns to standby.
- 6) Disconnect the power cord for a few seconds and connect again to turn on the player.

B. Read out the software versions to confirm upgrading

- 1) Power on the set and open the tray door.
- 2) Press <Home> button on the remote control.
- 3) Select <Setup>, then press <OK>.
- 4) Select <Advanced Setup>, press right cursor to choose <Version Info.>, then press <OK>, the software version and other information will display on the TV screen as below:
Model:BDP3XXX or BDP5XXX
Versions:

<http://www.philips.com/support>
MAC:XX-XX-XX-XX-XX-XX

Caution: The set must not be power off during upgrading, otherwise the Main board will be damaged entirely.

Remark: The region code can not be manual changed.

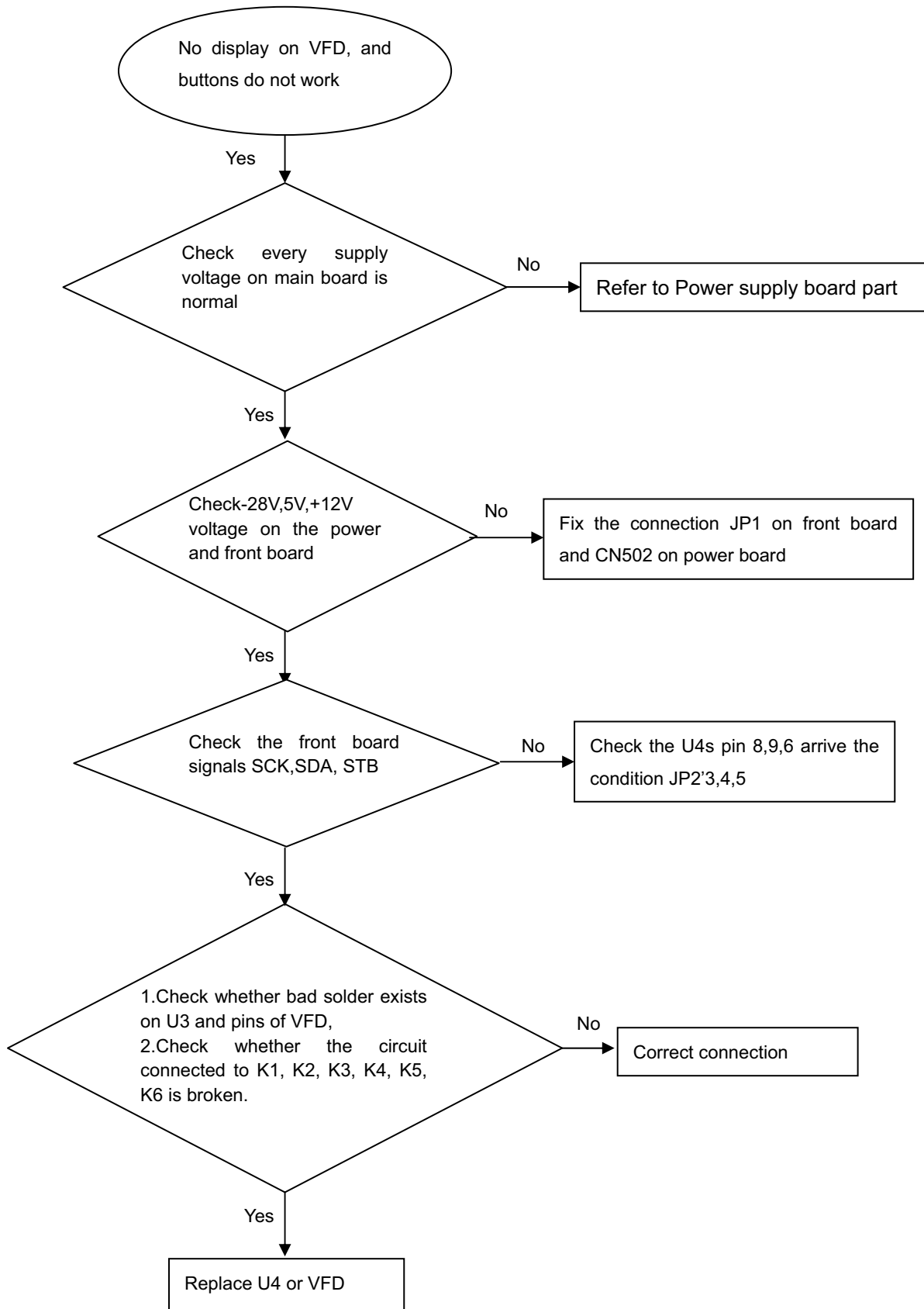
Loader repair Instruction for BDP3100/5100/ 3080/98

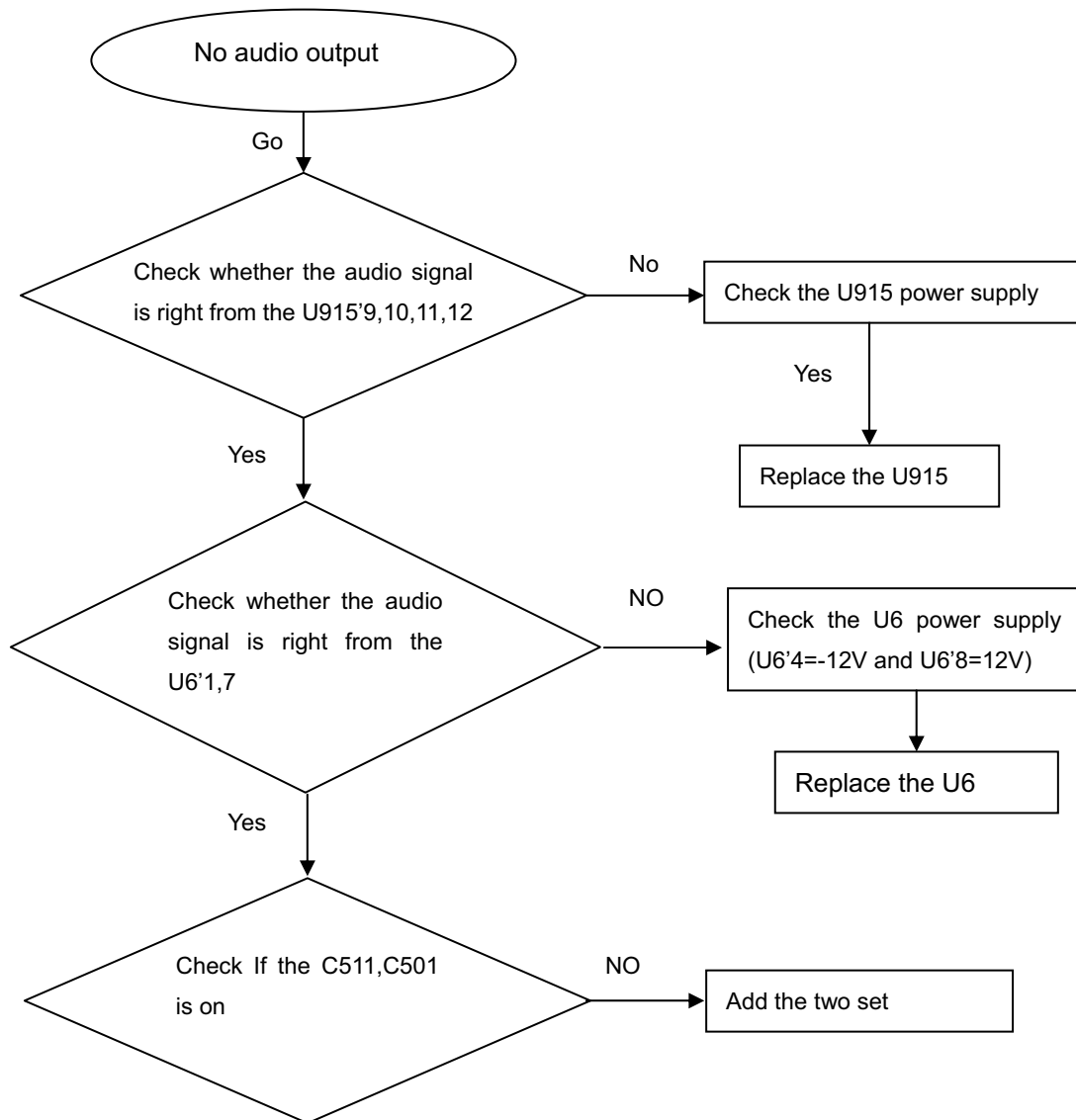
Preliminaries (at O.E.M. supplier site)

After scanning BARCODE on the new LOADER in supplier – TCL factory, print the one-dimensional code which generated by scanner and computer on label, then paste it into LOADER. If FA test passed , break off the protection point under the LOADER.

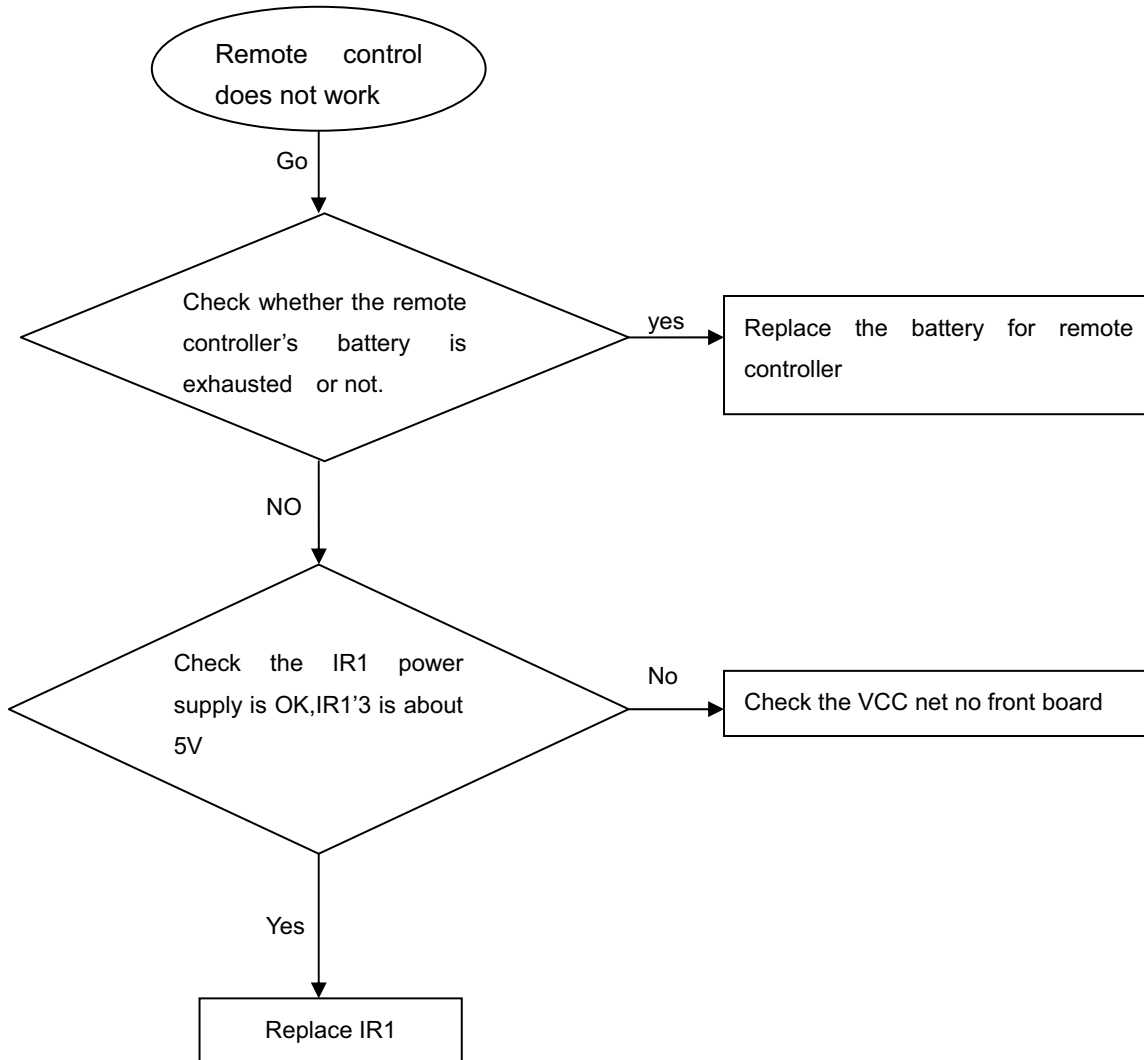
Repair Procedure in workshop

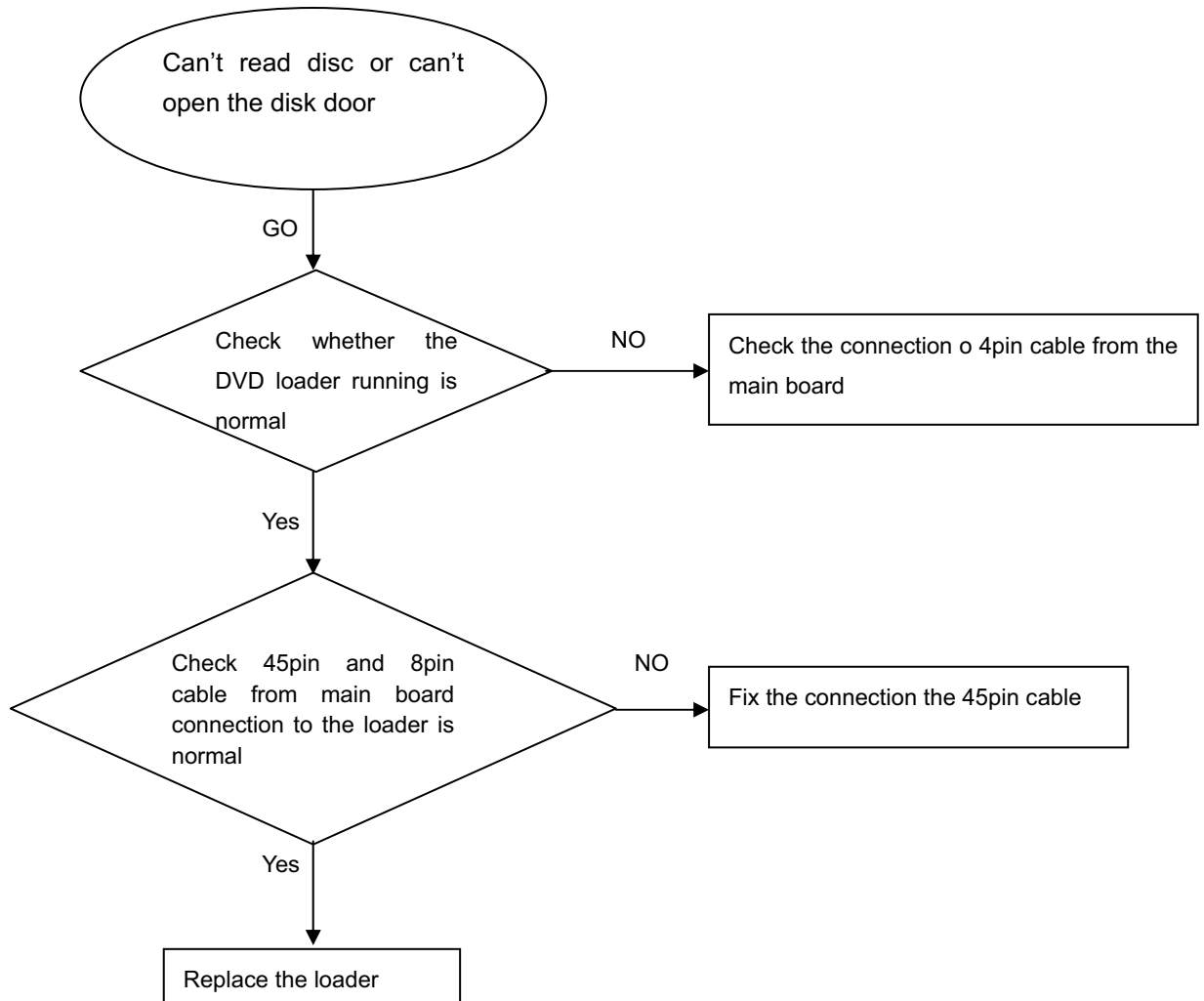
1. In region's workshop, to install loader in the machine then weld the open protection point. Keep the set to connect the TV and power on, press keys "5" "1" "7" "7" on Remote Control when in the HOME menu, then the menu will be displayed.
2. Select "Enter Barcode Info" from the menu, input the BARCODE of the LOADER and wait until the OSD displays "PASS", press "STOP" key on Remote Control to go back to the menu.
3. Select "Laser check", confirm whether the cable is connected and welded protection point is ok.
4. Restart the set, test CD, DVD, BD discs. If ok, the LOADER replacing procedure is finish.

No display on VFD, and buttons do not work

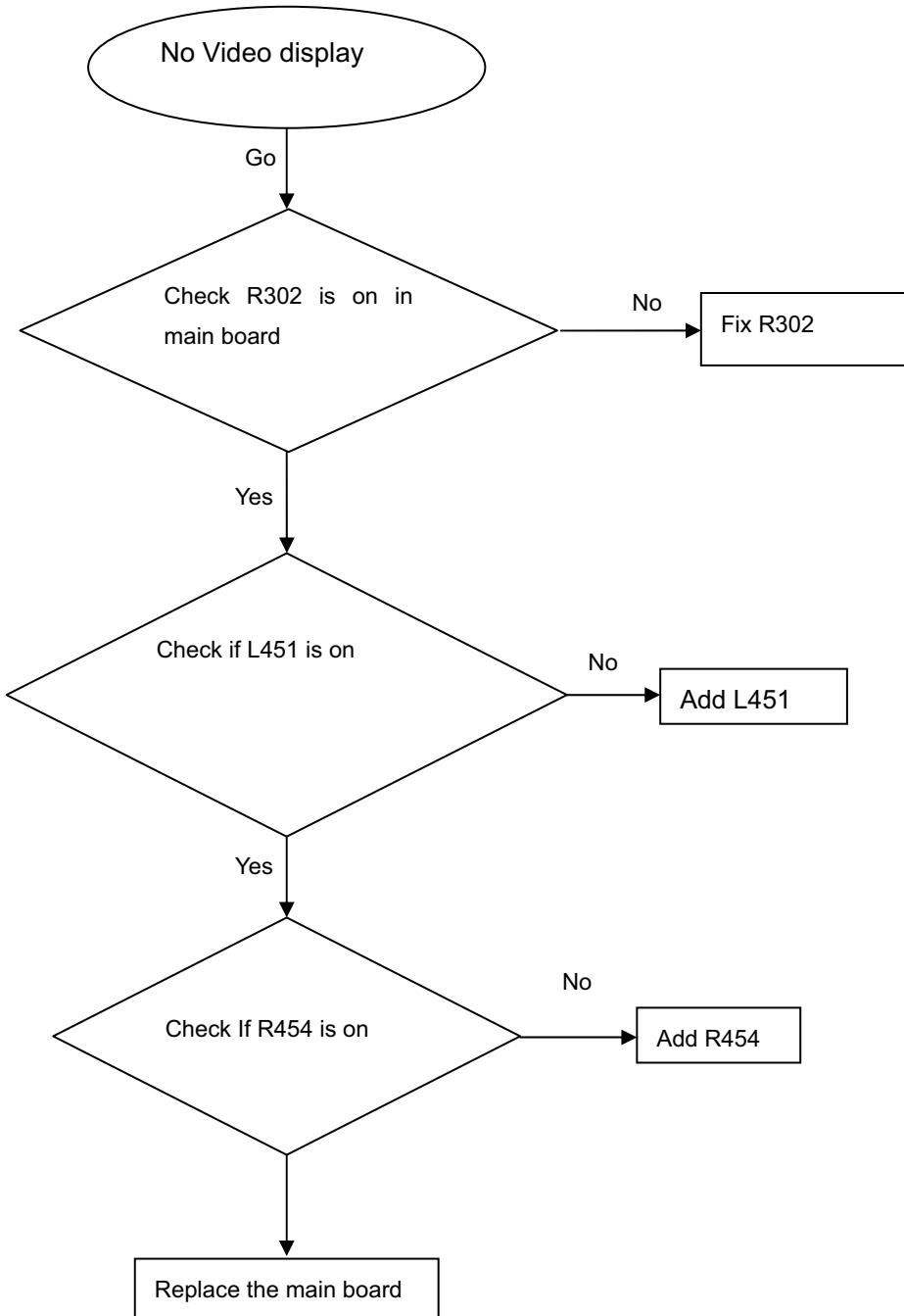
No audio output

Remote control does not work

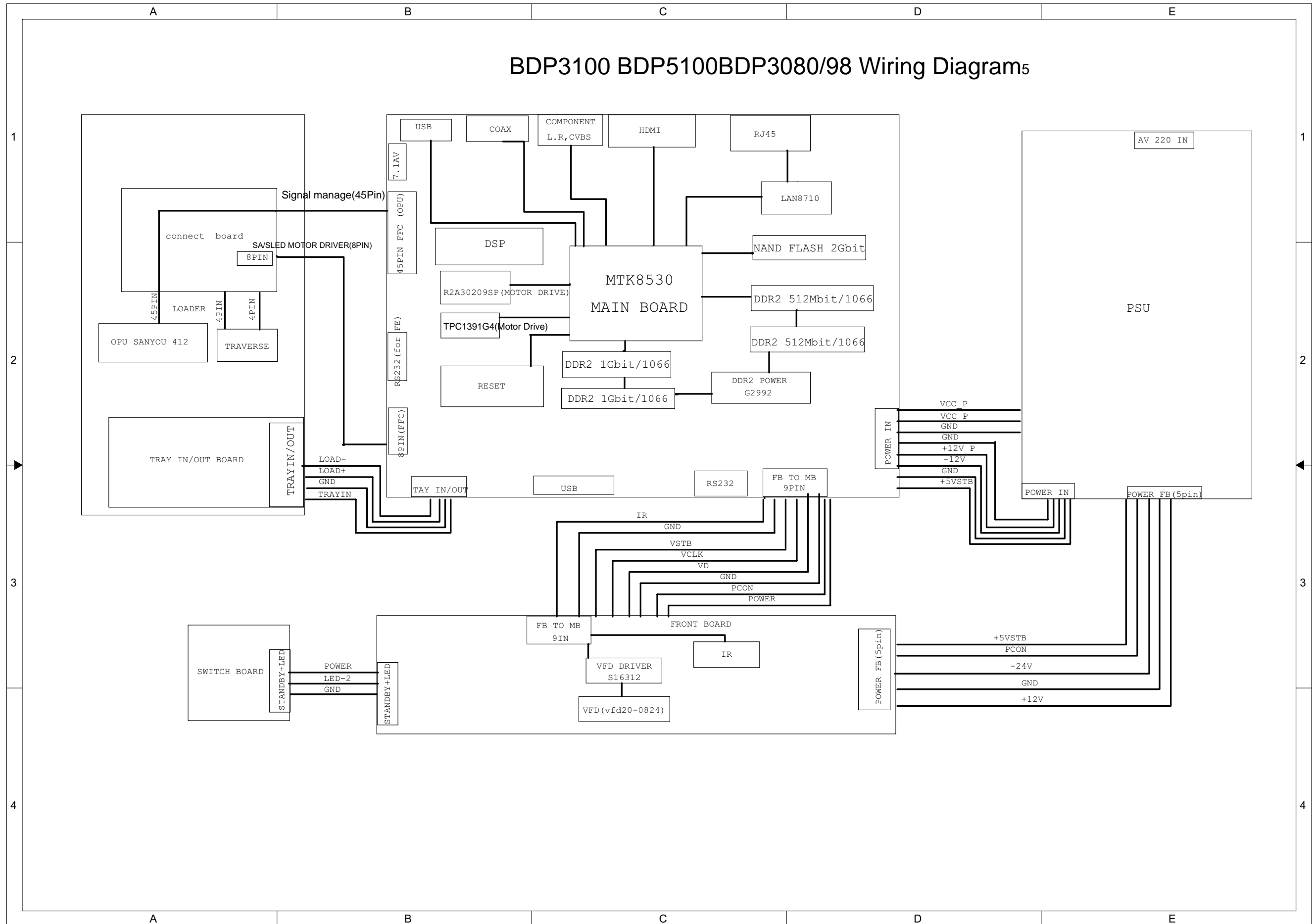


Can't read disc or can't open the disk door

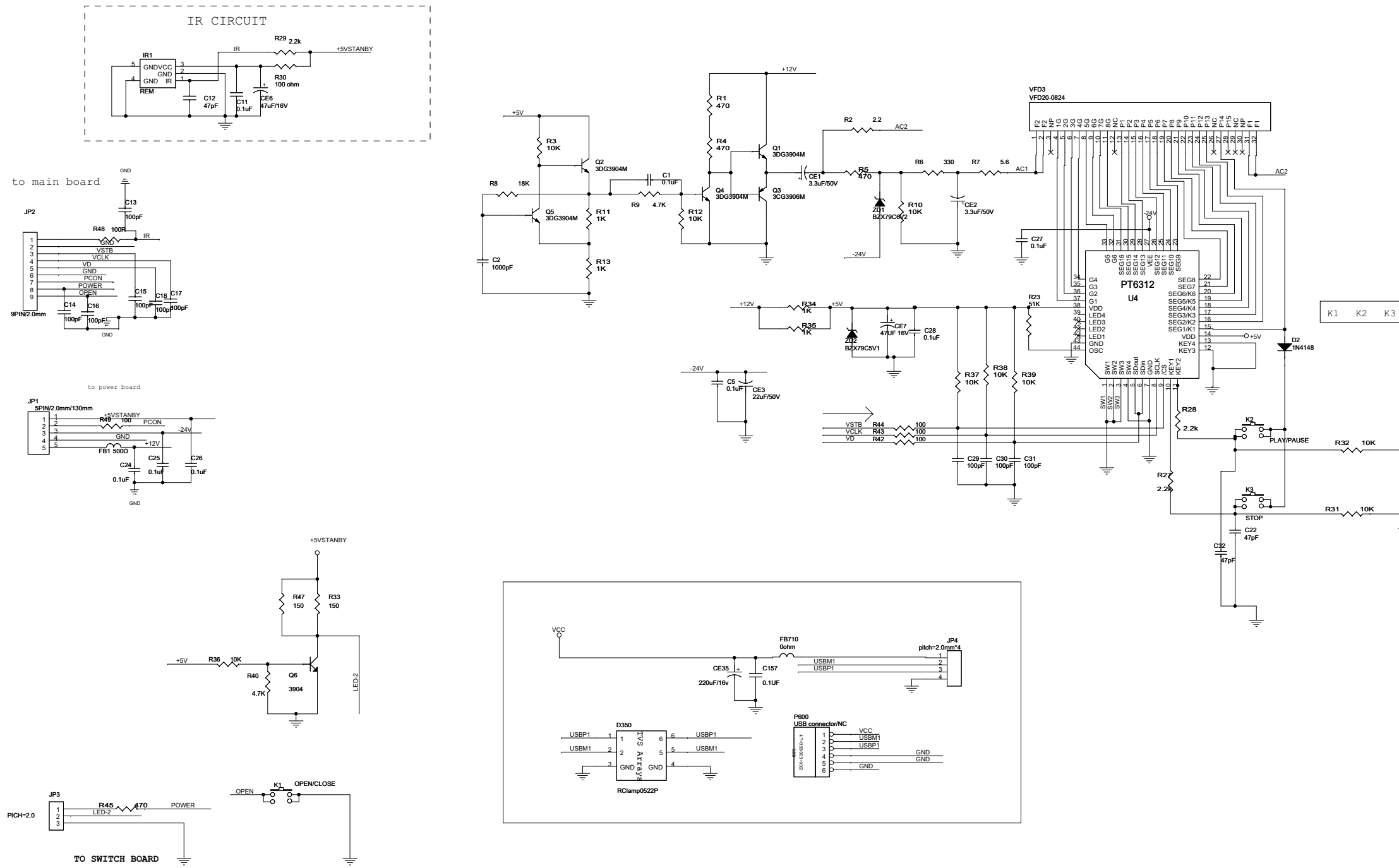
No video display



BDP3100 BDP5100BDP3080/98 Wiring Diagrams



Front Board Circuit Diagram:

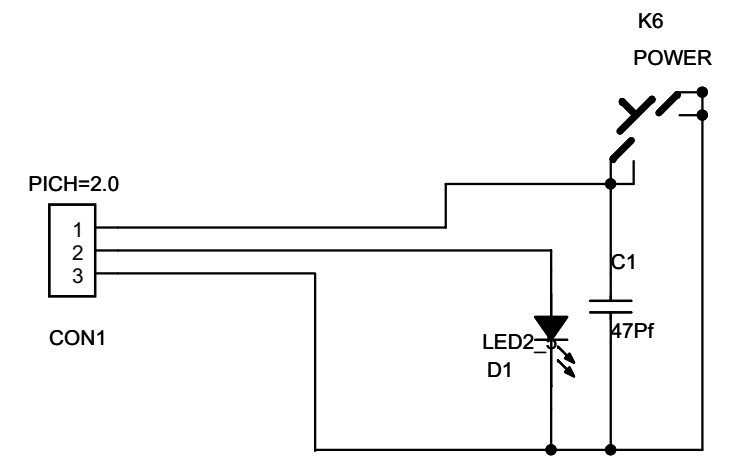


A B C D E

Switch Board Circuit Diagram:

1
2
3
4

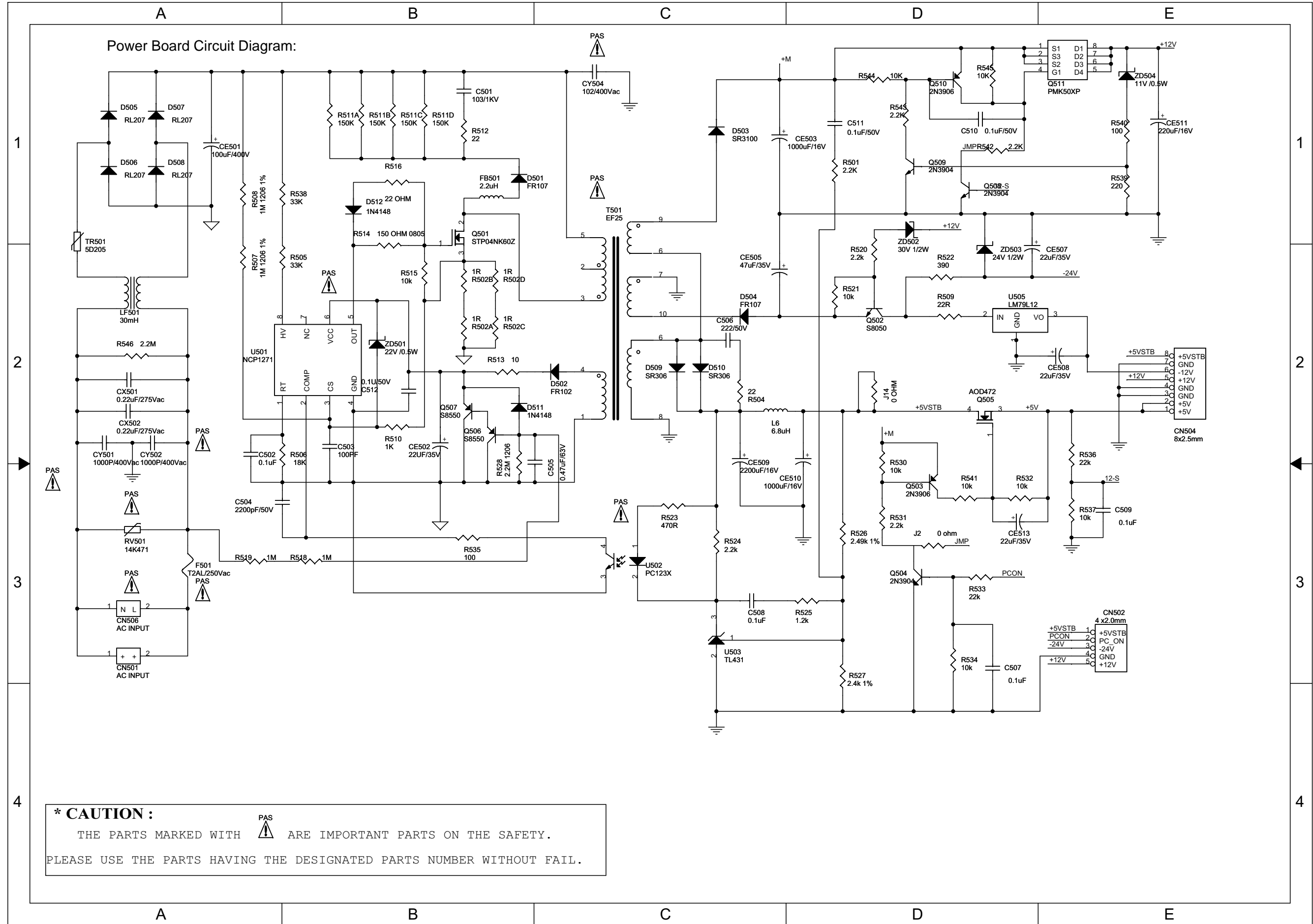
1
2
3
4




SWITCH BOARD

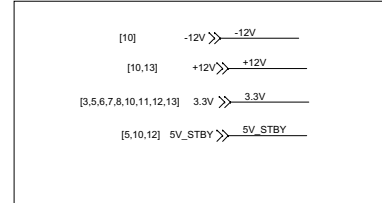
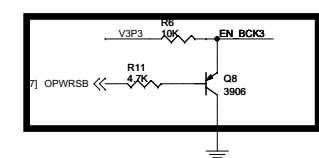
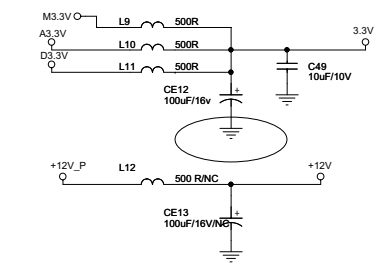
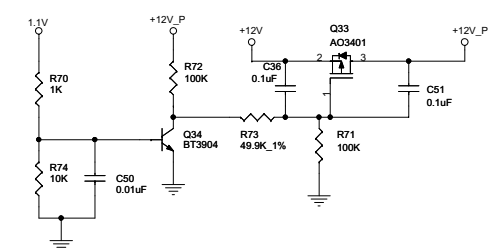
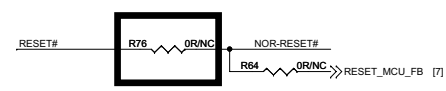
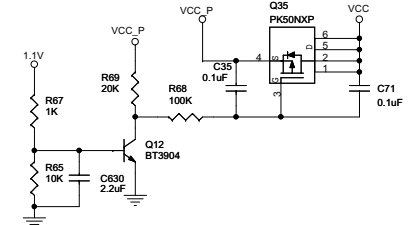
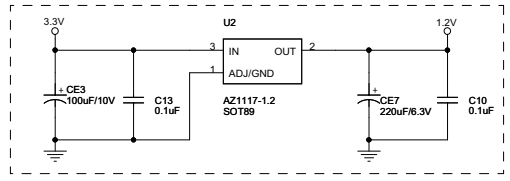
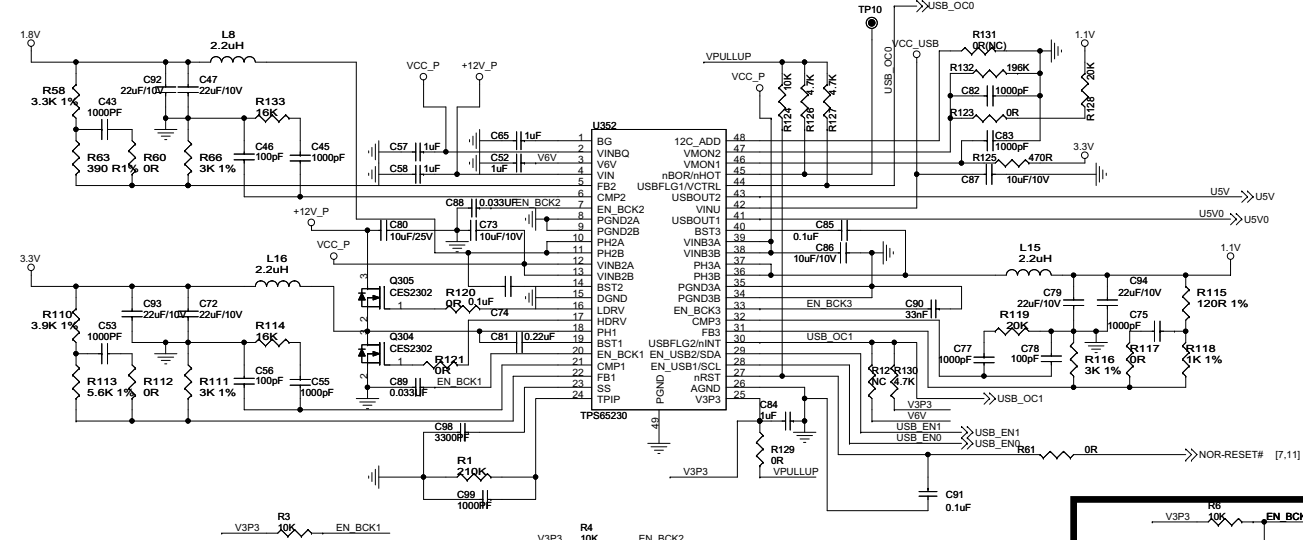
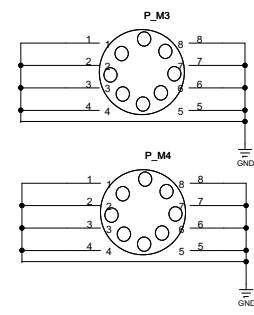
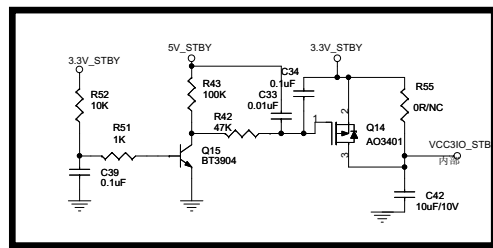
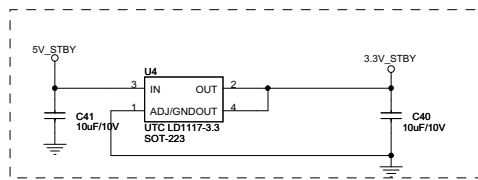
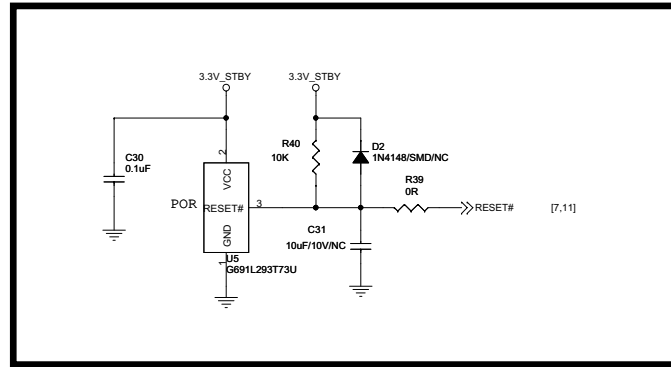
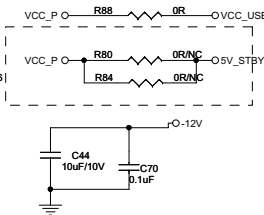
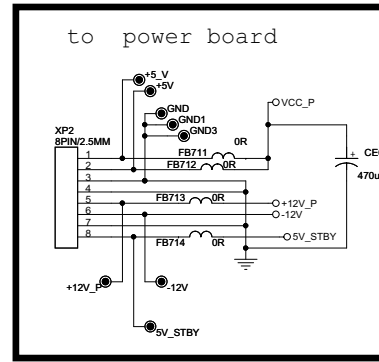
A B C D E

Power Board Circuit Diagram:

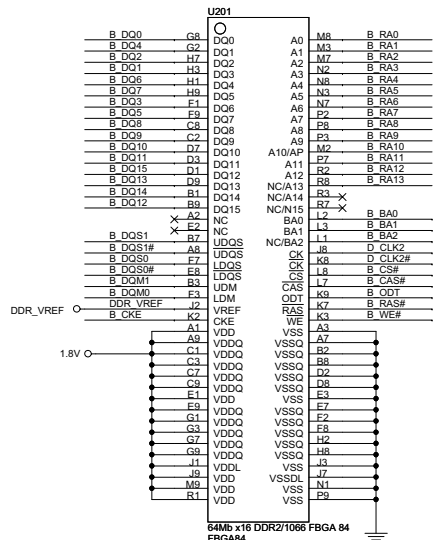
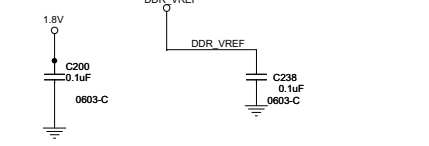
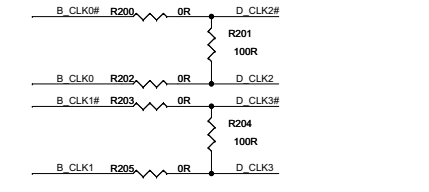
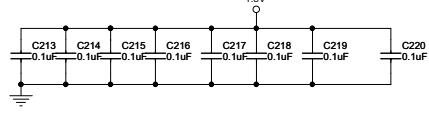
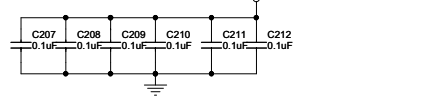
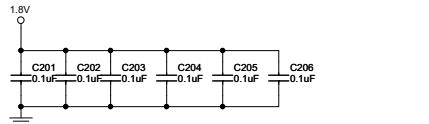
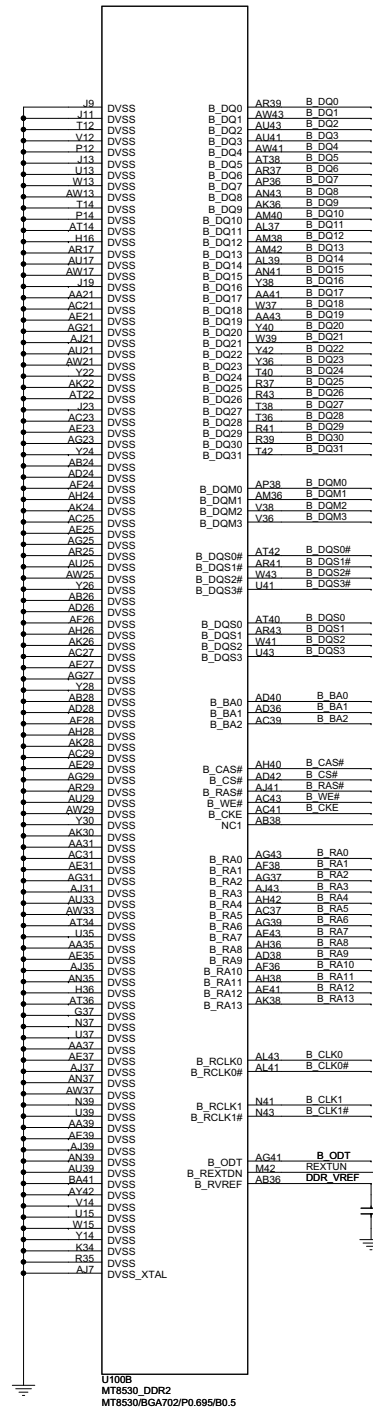


*** CAUTION :**
 THE PARTS MARKED WITH  ARE IMPORTANT PARTS ON THE SAFETY.
 PLEASE USE THE PARTS HAVING THE DESIGNATED PARTS NUMBER WITHOUT FAIL.

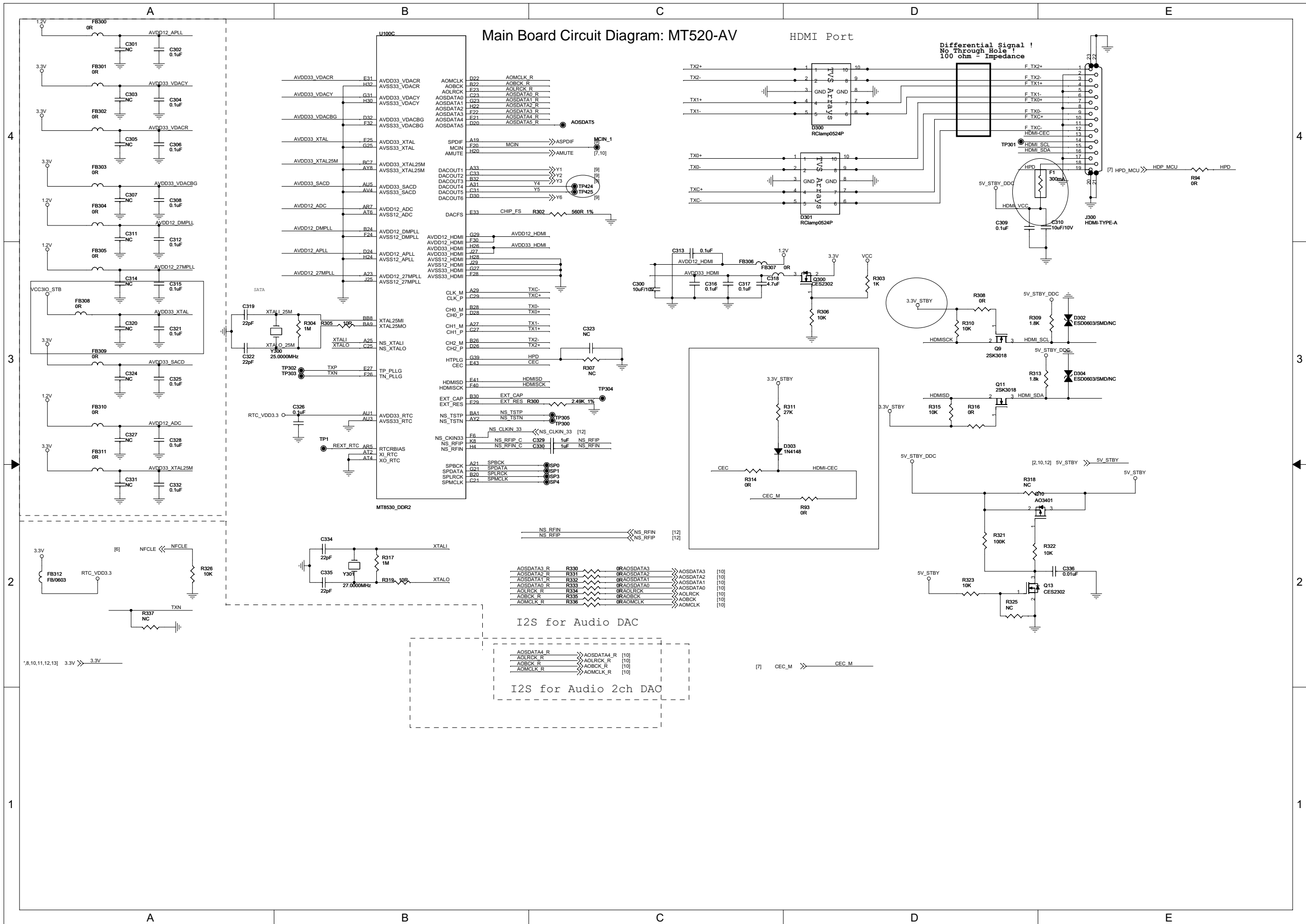
Main Board Circuit Diagram: POWER



Main Board Circuit Diagram: MT530-DDR Part2



Main Board Circuit Diagram: MT520-AV



AVDD33_VDACR E31 AVDD33_VDACR AOMCLK D22 AOMCLK R [10]

AVSS33_VDACR H32 AVSS33_VDACR AOBCK R [10]

AVDD33_VDACY G31 AVDD33_VDACY AOLRCK R [10]

AVSS33_VDACY H30 AVSS33_VDACY AOSDATA0 R [10]

AVDD33_VDACBG D32 AVDD33_VDACBG AOSDATA1 R [10]

AVSS33_VDACBG F32 AVSS33_VDACBG AOSDATA2 R [10]

AVDD33_XTAL E26 AVDD33_XTAL AVSS33_XTAL AOSDATA3 R [10]

AVSS33_XTAL G25 AVSS33_XTAL AOSDATA4 R [10]

AVDD33_XTAL25M BC7 AVDD33_XTAL25M AOSDATA5 R [10]

AVSS33_XTAL25M AY8 AVSS33_XTAL25M AOSDATA5 R [10]

AVDD33_SACD AU5 AVDD33_SACD DACOUT1 A33 DACOUT1 Y1 [9]

AVSS33_SACD AV4 AVSS33_SACD DACOUT2 B32 DACOUT2 Y2 [9]

AVDD12_ADC AR7 AVDD12_ADC DACOUT3 B32 DACOUT3 Y3 [9]

AVSS12_ADC AT6 AVSS12_ADC DACOUT4 C31 DACOUT4 Y4 [9]

AVDD12_DMPLL B24 AVDD12_DMPLL DACOUT5 D30 DACOUT5 Y5 [9]

AVSS12_DMPLL F24 AVSS12_DMPLL DACOUT6 D30 DACOUT6 Y6 [9]

AVDD12_APLL D24 AVDD12_APLL DACFS E33 CHIP FS R302 560R 1% [9]

AVSS12_APLL H24 AVSS12_APLL DACFS E33 CHIP FS R302 560R 1% [9]

AVDD12_27MPLL A23 AVDD12_27MPLL AVDD12_HDMI G29 AVDD12_HDMI [9]

AVSS12_27MPLL J25 AVSS12_HDMI F30 AVSS12_HDMI [9]

AVDD33_HDMI H26 AVDD33_HDMI [9]

AVSS12_HDMI H28 AVSS12_HDMI [9]

AVSS12_HDMI H28 AVSS12_HDMI [9]

AVSS33_HDMI E28 AVSS33_HDMI [9]

AVSS33_HDMI E28 AVSS33_HDMI [9]

CLK_M A29 TXC- [9]

CLK_F C29 TXC+ [9]

CH0_M B28 TXD [9]

CH0_F D28 TXD+ [9]

CH1_M A27 TX1 [9]

CH1_F C27 TX1+ [9]

CH2_M B26 TX2 [9]

CH2_F D26 TX2+ [9]

HTPLG G39 HPD [9]

CEC E43 CEC [9]

HDMISD E41 HDMISD [9]

HDMISCK E40 HDMISCK [9]

EXT_CAP B30 EXT CAP [9]

EXT_RES E29 EXT RES R300 2.49K 1% [9]

NS_TSTP BA1 NS_TSTP [9]

NS_TSTN AY2 NS_TSTN [9]

NS_CLKIN_33 E6 NS_CLKIN_33 [12]

NS_RFIP_C K8 NS_RFIP_C C329 1uF NS_RFIP [10]

NS_RFIP_H4 NS_RFIP_H4 C330 1uF NS_RFIP [10]

A21 SPBCK G21 SPBCK [10]

G21 SPDATA G21 SPDATA [10]

B20 SPLRCK B20 SPLRCK [10]

C21 SPBCK C21 SPBCK [10]

C21 SPLRCK C21 SPLRCK [10]

C21 SPBCK C21 SPBCK [10]

C21 SPLRCK C21 SPLRCK [10]

AOSDATA3 R R330 GRAOSDATA3 AOSDATA3 [10]

AOSDATA2 R R331 GRAOSDATA2 AOSDATA2 [10]

AOSDATA1 R R332 GRAOSDATA1 AOSDATA1 [10]

AOSDATA0 R R333 GRAOSDATA0 AOSDATA0 [10]

AOLRCK R R334 GRAOLRCK AOLRCK [10]

AOBCK R R335 GRAOBCK AOBCK [10]

AOMCLK R R336 GRAOMCLK AOMCLK [10]

AOSDATA4 R AOSDATA4_R [10]

AOLRCK R AOLRCK_R [10]

AOBCK R AOBCK_R [10]

AOMCLK R AOMCLK_R [10]

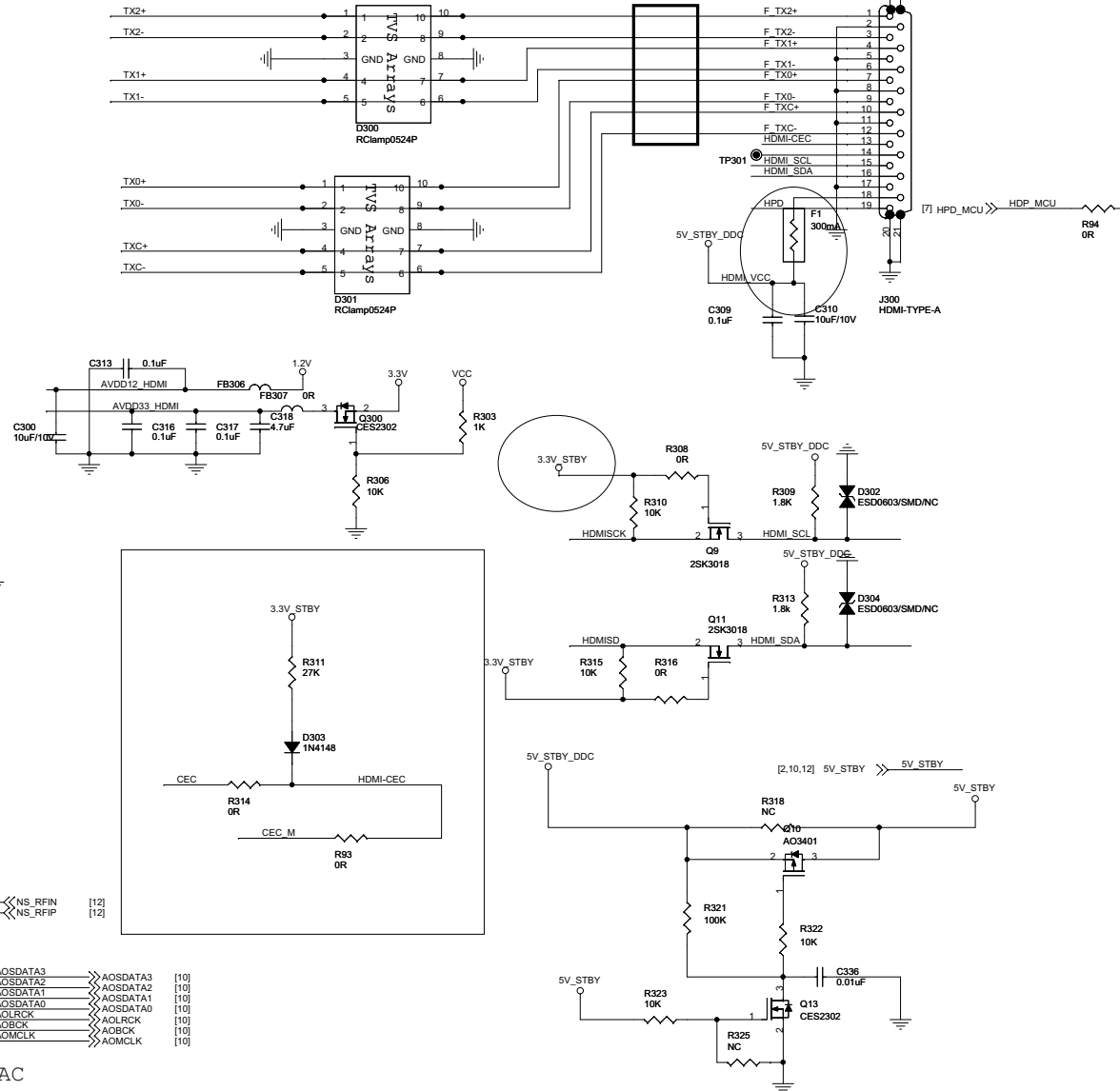
I2S for Audio DAC

I2S for Audio 2ch DAC

CEC_M CEC_M [7]

Differential Signal!
No Through Hole!
100 ohm Impedance

HDMI Port

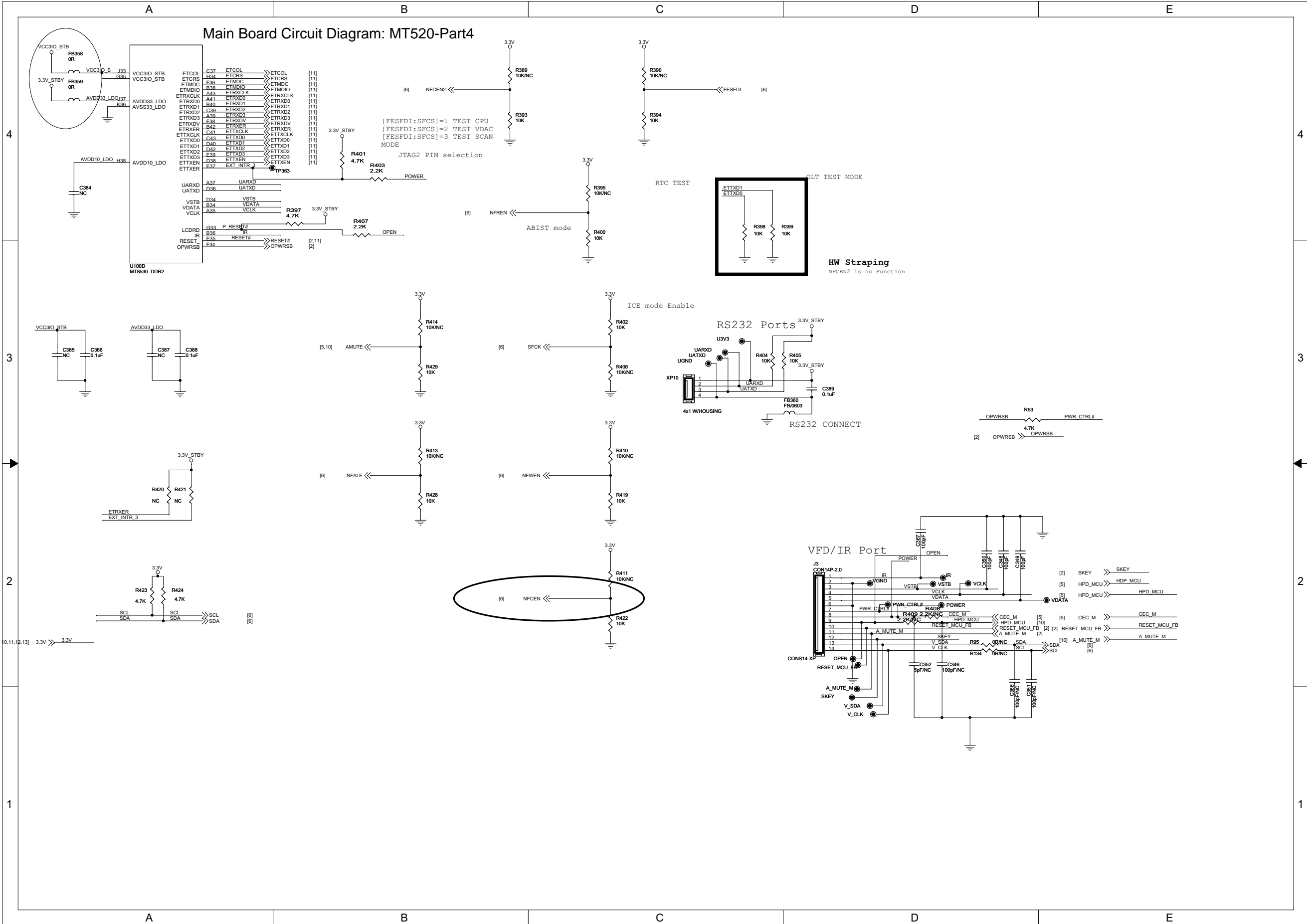


I2S for Audio DAC

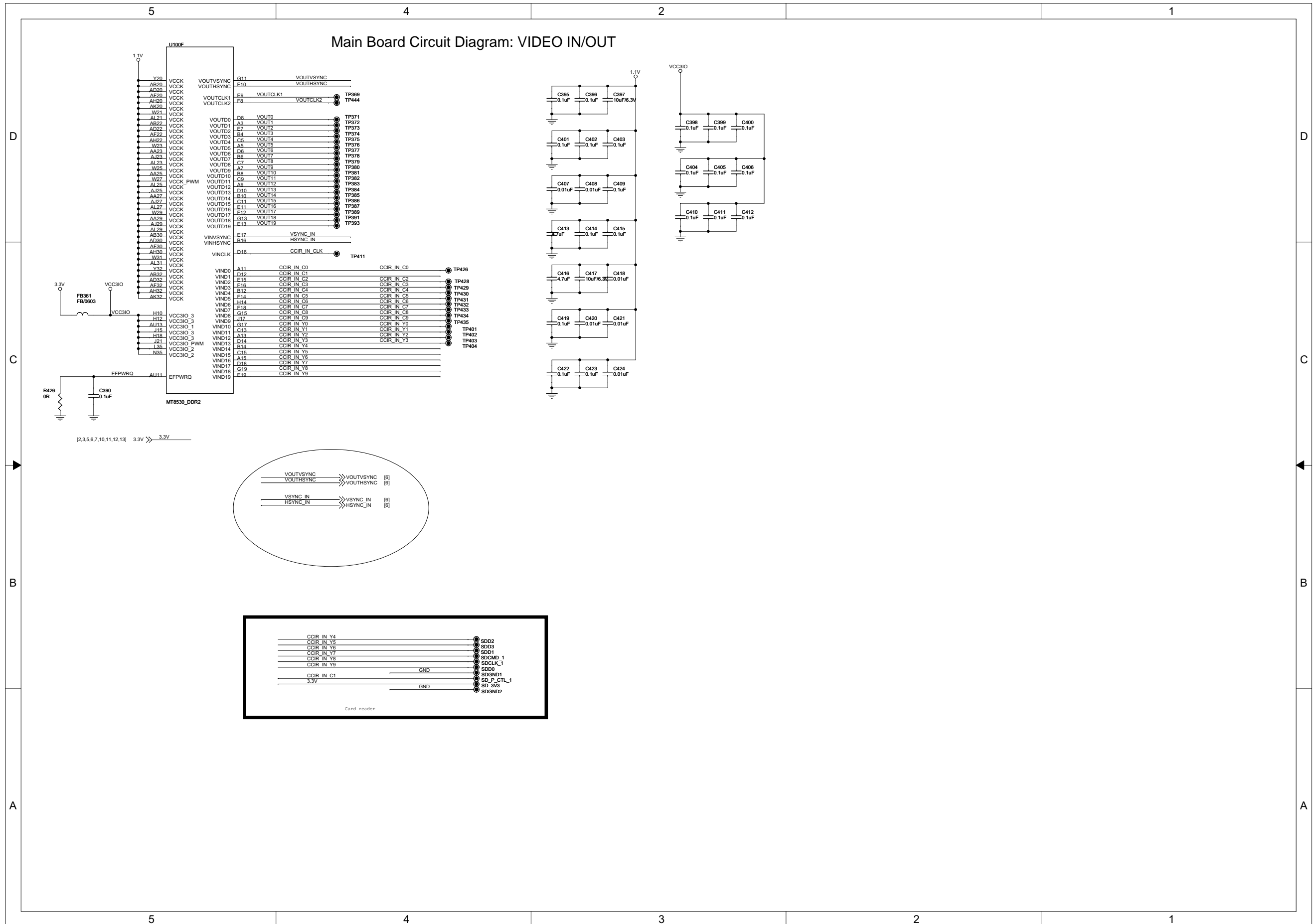
I2S for Audio 2ch DAC

[7] CEC_M CEC_M

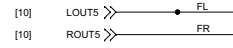
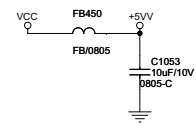
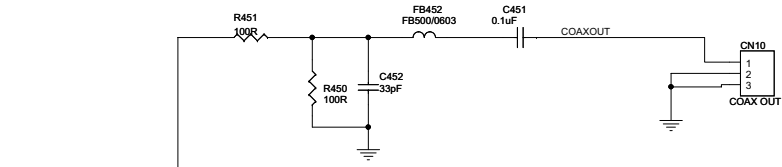
Main Board Circuit Diagram: MT520-Part4



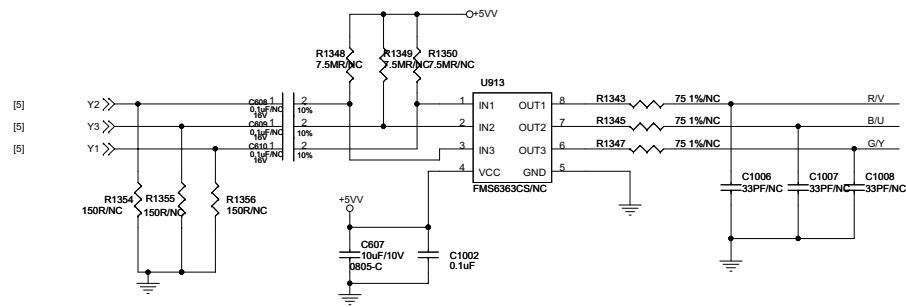
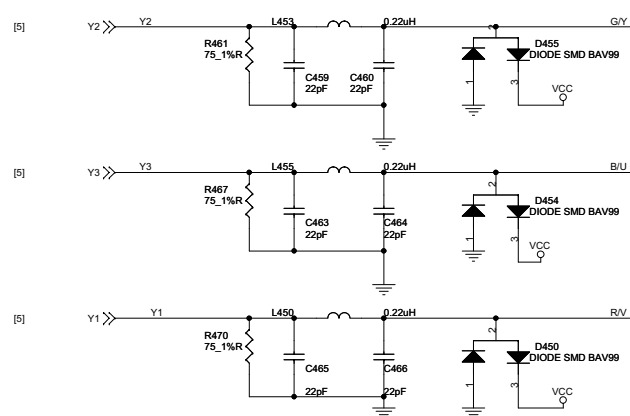
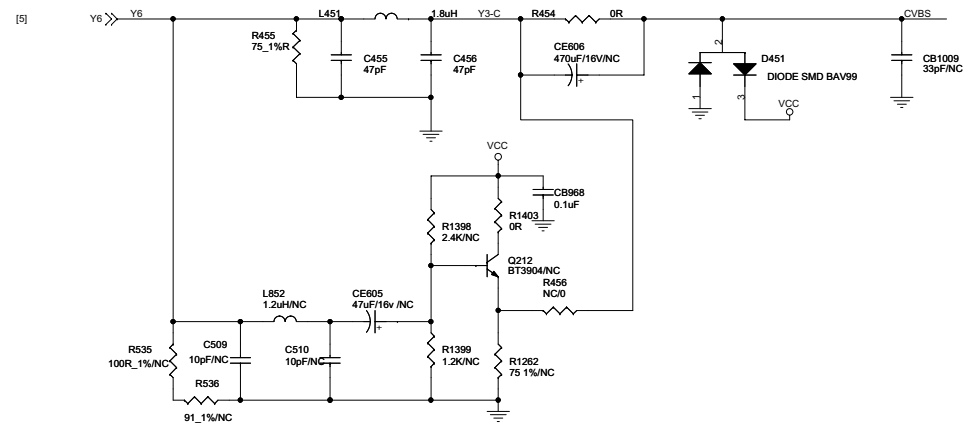
Main Board Circuit Diagram: VIDEO IN/OUT



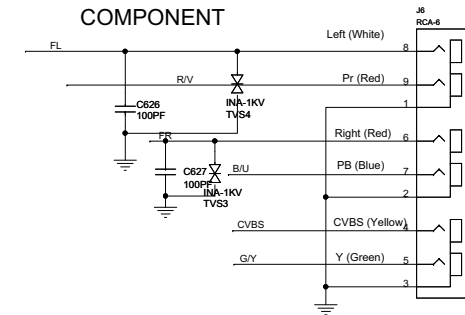
Main Board Circuit Diagram: VIDEO/OUTPUT & SPDIF OUT

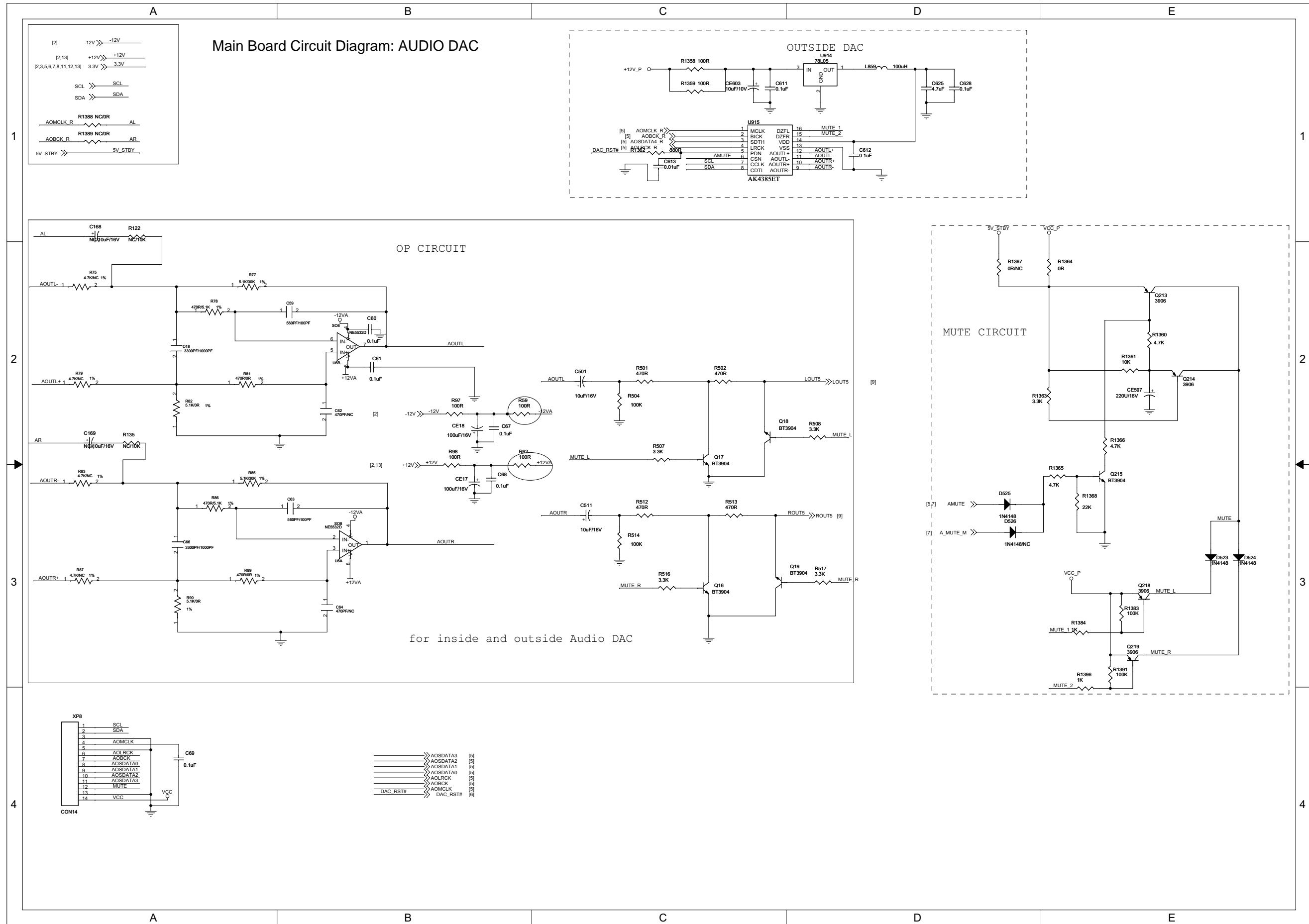


SPDIF OUTOUT

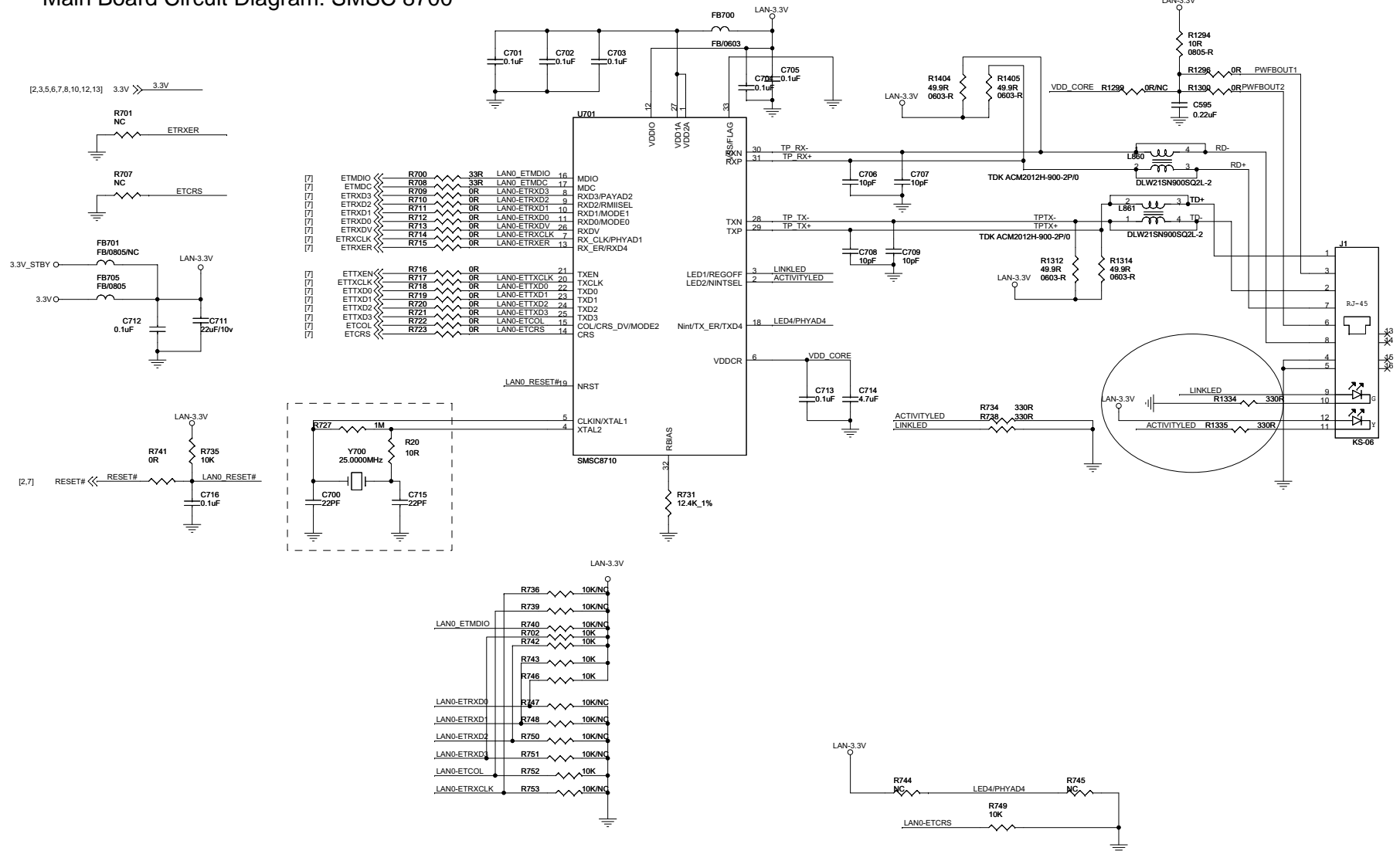


COMPONENT





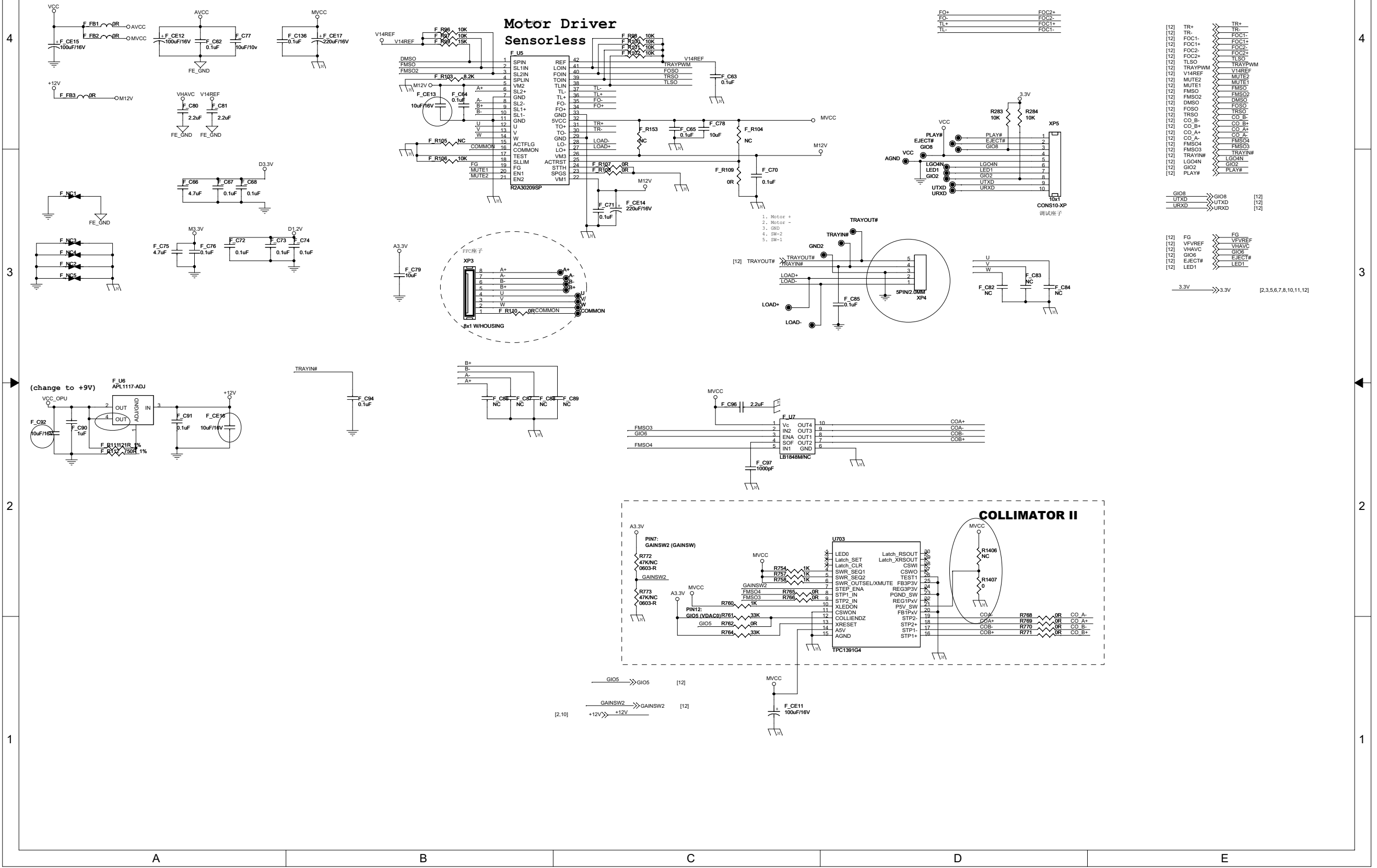
Main Board Circuit Diagram: SMSC 8700



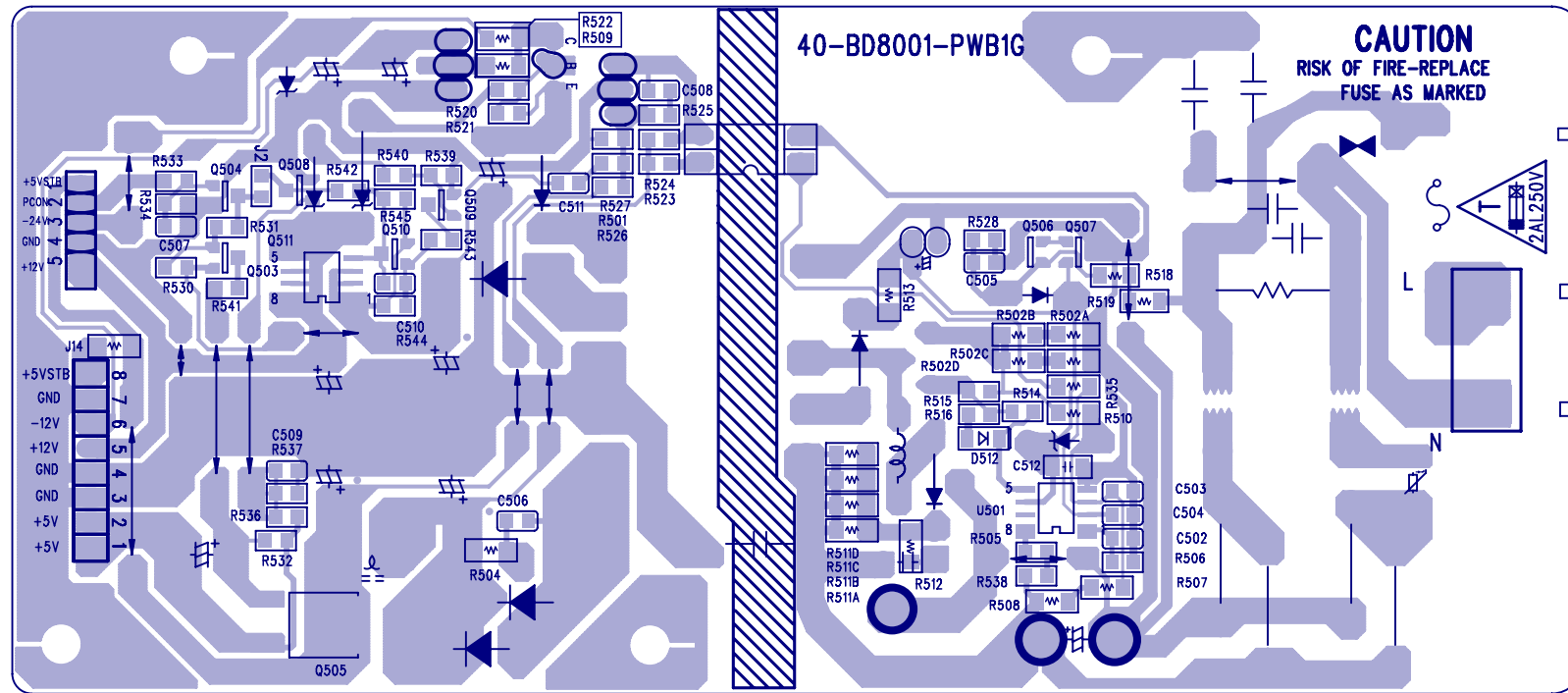
D
C
B
A

D
C
B
A

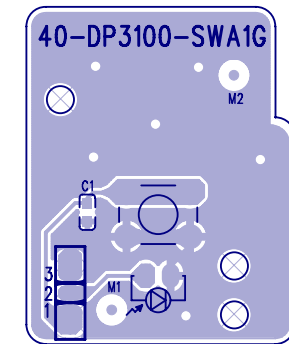
Main Board Circuit Diagram: POWER REGULATOR



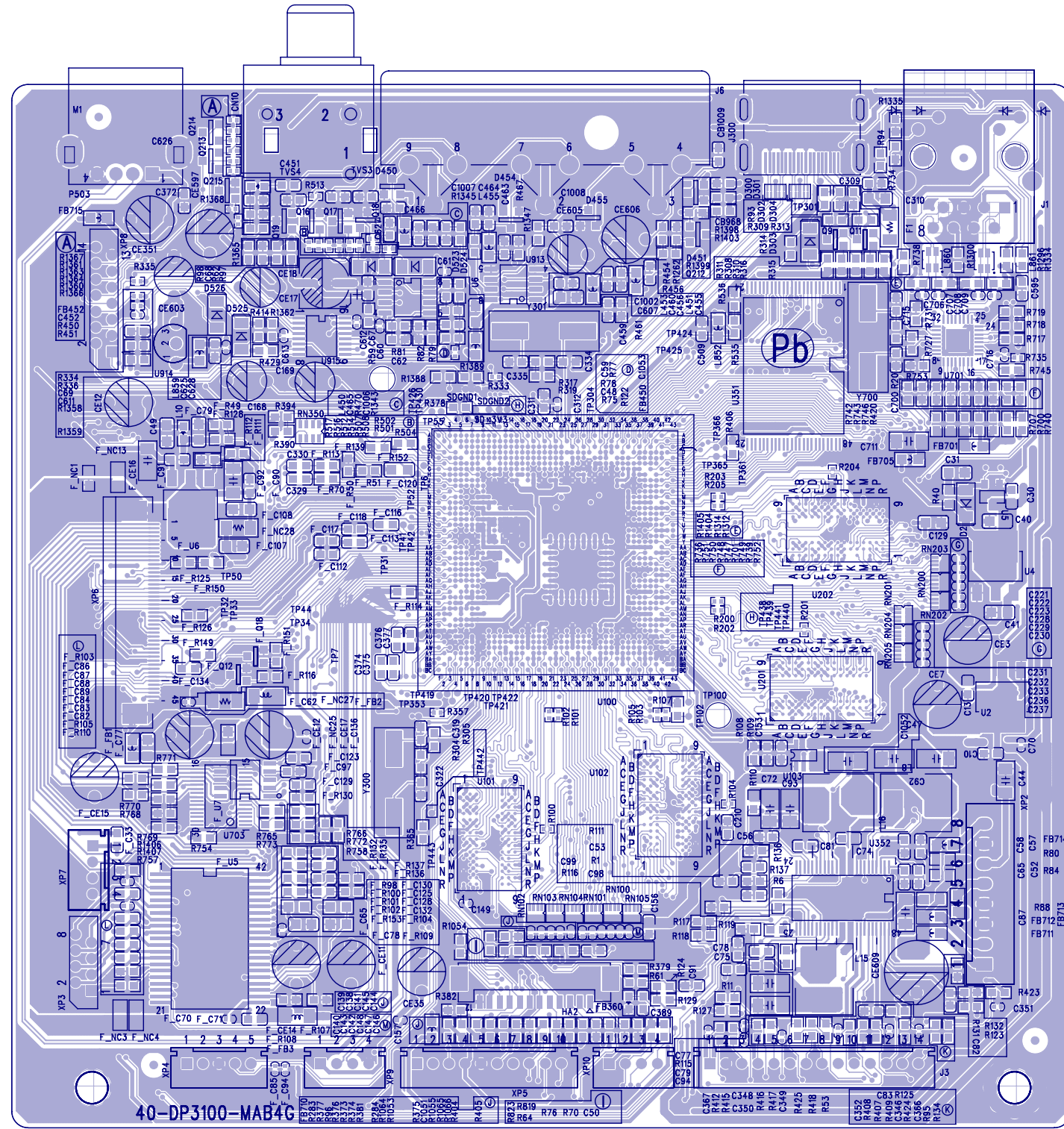
Power Board Print-layout (Bottom side):



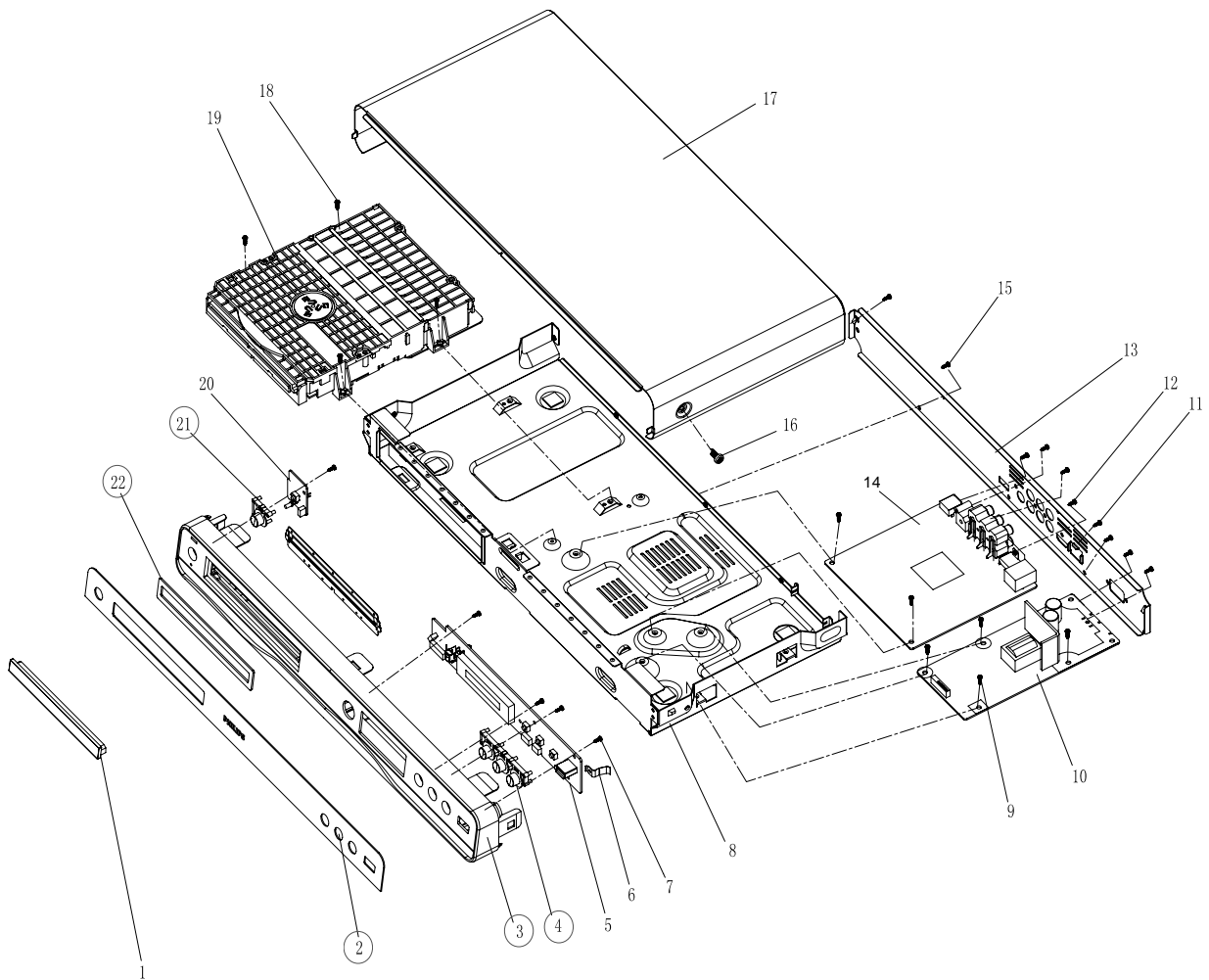
Switch Board Print-layout (Bottom side):



Main Board Print-layout (Top side):



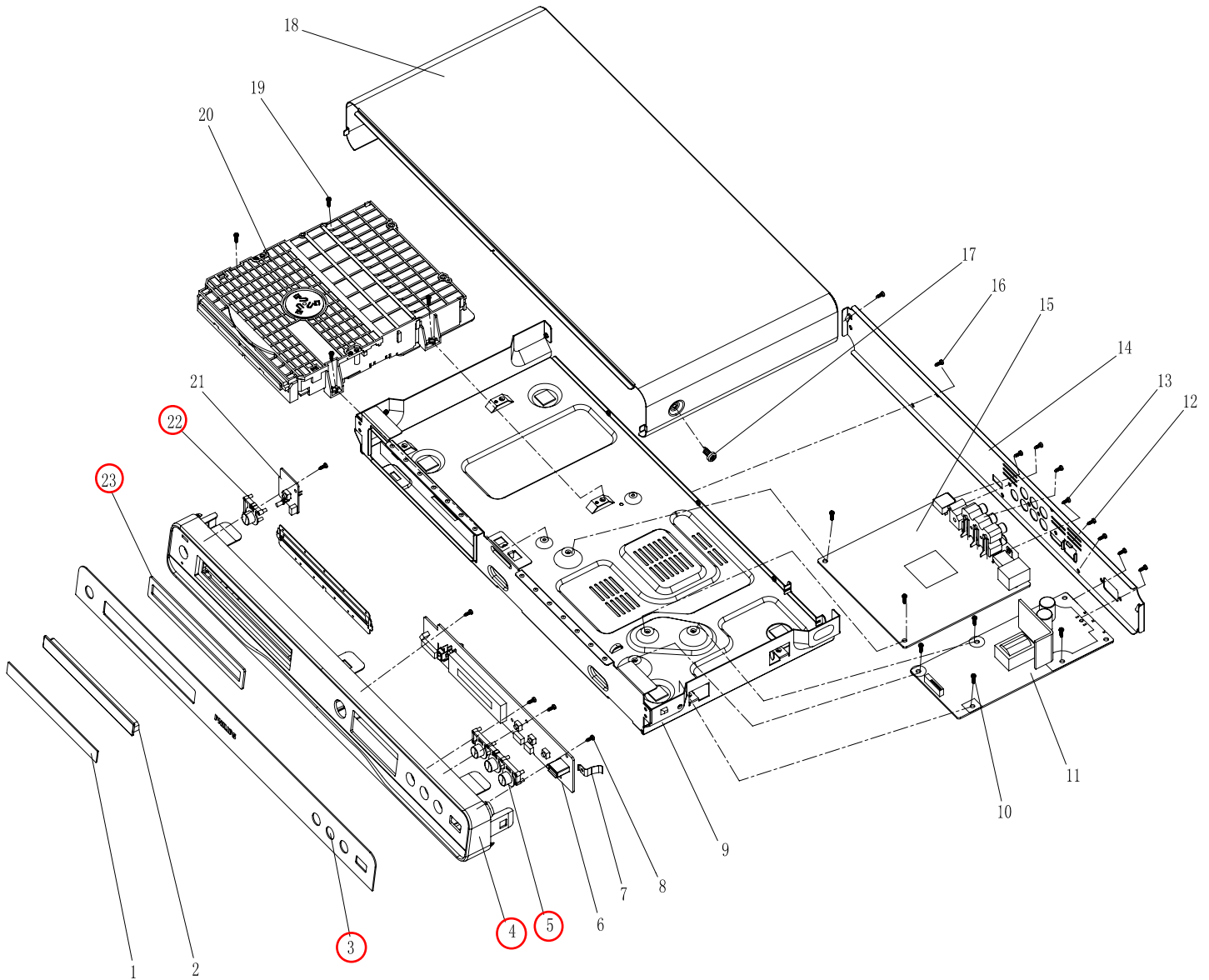
Exploded view for BDP3100/12/05/51/55/93/96/98/x78 , BDP3080/98



It is a general mechanical exploded view for BDP3100, BDP3080/98 pls refer to the model set for detailed information. ASSY1 includes components: 2.3.4.21.22

Exploded view for BDP5100/12/93/98/05:

EXPLODED VIEW FOR BDP5100/12/93/98/05



It is a general mechanical exploded view for BDP5100/12, pls refer to the model set for detailed information. ASSY1 includes components: 3,4,5,22,23

EXPLODED VIEW FOR BDP5100/12/93/98/05
 ASS'Y 1 includes components 3,4,5,22,23

PARTS LIST: BDP3100/12

| No. | 12NC No. | Description | Q'ty |
|---------|--------------|--------------------------------|------|
| 1 | 996510031264 | FRONT DOOR | 1 |
| ⚠ 10 | 996510031266 | ASSY-POWER BOARD | 1 |
| 13 | 996510031274 | BACK PLATE | 1 |
| 14 | 996510031443 | ASSY-MAIN BOARD | 1 |
| 17 | 996510031271 | TOP COVER | 1 |
| 19 | 996510031268 | BLU-RAY DISK LOADER | 1 |
| 20 | 996510031267 | ASSY-SWITCH BOARD | 1 |
| 5 | 996510031273 | ASSY-FE BD | 1 |
| 8 | 996510031272 | BOTTOM PLATE | 1 |
| AVCABLE | 996500020384 | AUDIO/VIDEO CABLE 1 | 1 |
| Assy1 | 996510031265 | ASSY-FRONT PANEL | 1 |
| CN504 | 996510000546 | 8PIN HS | 1 |
| JP1 | 996510025834 | CABLE 5P 130MM FH-JC20 | 1 |
| JP2 | 996510029488 | CABLE 9P 140MM FH-JC20 | 1 |
| JP3 | 996510031263 | FLAT WIRE 3P L200 PH-3Y/SAN-3P | 1 |
| JP4 | 996510031269 | USB CABLE 4PIN 2MM300MMPH/JC20 | 1 |
| ⚠ PCORD | 996510001537 | POWER CORD 1.5M | 1 |
| RC | 996510041223 | REMOTE CONTROL | 1 |

Screws List


| No | 12NC No. | Description | Q'ty |
|-------|----------|------------------------|------|
| 7 | — | S/T SCREW B 2.6 X 6 BF | 7 |
| 9 | — | S/T SCREW | 6 |
| 11/16 | — | S/T SCREW B 3 X 8 BF | 3/2 |
| 12 | — | M/C SCREW 3 X 6 B | 2 |
| 15 | — | S/T SCREW B3 X 6 BF | 9 |
| 18 | — | S/T SCREW B 3 X 7 BF | 4 |

SAFETY PRECAUTION

The parts identified by  mark are critical for safety. Replace only with part number specified.

The mounting position of replacement is to be identical with originals. The substitute replacement parts which do not have the same safety characteristics as specified in the parts list may create shock, fire or other hazards.

PARTS LIST: BDP3100/05

| No. | 12NC No. | Description | Q'ty |
|--|--------------|--------------------------------|------|
| 1 | 996510031264 | FRONT DOOR | 1 |
|  10 | 996510031266 | ASSY-PW BD | 1 |
| 13 | 996510031274 | BACK PLATE | 1 |
| 14 | 996510031458 | ASSY-MAIN BOARD /05 | 1 |
| 17 | 996510031271 | TOP COVER | 1 |
| 19 | 996510031268 | BLU-RAY DISK LOADER | 1 |
| 20 | 996510031267 | ASSY-SW BD | 1 |
| 5 | 996510031273 | ASSY-FE BD | 1 |
| 8 | 996510031272 | BOTTOM PLATE | 1 |
| AVCABLE | 996500020384 | AUDIO/VIDEO CABLE 1 | 1 |
| Assy1 | 996510031265 | ASSY-FRONT PANEL | 1 |
| CN504 | 996510000546 | 8PIN HS | 1 |
| JP1 | 996510025834 | CABLE 5P 130MM FH-JC20 | 1 |
| JP2 | 996510029488 | CABLE 9PIN 140MM FH-JC20 | 1 |
| JP3 | 996510031263 | FLAT WIRE 3P L200 PH-3Y/SAN-3P | 1 |
| JP4 | 996510031269 | USB CABLE 4PIN 2MM300MMPH/JC20 | 1 |
| PCORD | 996510026331 | POWER CORD | 1 |
| RC | 996510041223 | REMOTE CONTROL | 1 |

Screws List


| No | 12NC No. | Description | Q'ty |
|-------|----------|------------------------|------|
| 7 | — | S/T SCREW B 2.6 X 6 BF | 7 |
| 9 | — | S/T SCREW | 6 |
| 11/16 | — | S/T SCREW B 3 X 8 BF | 3/2 |
| 12 | — | M/C SCREW 3 X 6 B | 2 |
| 15 | — | S/T SCREW B3 X 6 BF | 9 |
| 18 | — | S/T SCREW B 3 X 7 BF | 4 |

SAFETY PRECAUTION

The parts identified by  mark are critical for safety. Replace only with part number specified.

The mounting position of replacement is to be identical with originals. The substitute replacement parts which do not have the same safety characteristics as specified in the parts list may create shock, fire or other hazards.

PARTS LIST: BDP3100/51

| No. | 12NC No. | Description | Q'ty |
|--|--------------|--------------------------------|------|
| 1 | 996510031264 | FRONT DOOR | 1 |
|  10 | 996510031266 | ASSY-POWER BOARD | 1 |
| 13 | 996510031274 | BACK PLATE | 1 |
| 14 | 996510031378 | ASSY-MAIN BOARD | 1 |
| 17 | 996510031271 | TOP COVER | 1 |
| 19 | 996510031268 | BLU-RAY DISK LOADER | 1 |
| 20 | 996510031267 | ASSY-SWITCH BOARD | 1 |
| 5 | 996510031273 | ASSY-FRONT CONTROL BOARD | 1 |
| 8 | 996510031272 | BOTTOM PLATE | 1 |
| AVCABLE | 996500020384 | AUDIO/VIDEO CABLE | 1 |
| Assy1 | 996510031265 | ASSY-FRONT PANEL | 1 |
| CN504 | 996510000546 | 8PIN HS | 1 |
| JP1 | 996510025834 | CABLE 5P 130MM FH-JC20 | 1 |
| JP2 | 996510029488 | CABLE 9PIN 140MM FH-JC20 | 1 |
| JP3 | 996510031263 | FLAT WIRE 3P L200 PH-3Y/SAN-3P | 1 |
| JP4 | 996510031377 | USB CABLE 4PIN L200MM | 1 |
| PCORD | 996510001537 | POWER CORD | 1 |
| RC | 996510041223 | REMOTE CONTROL | 1 |
| XP3 | 996510031379 | 8PIN WIRE PH1.0MM L100MM B | 1 |

Screws List


| No | 12NC No. | Description | Q'ty |
|-------|----------|------------------------|------|
| 7 | — | S/T SCREW B 2.6 X 6 BF | 7 |
| 9 | — | S/T SCREW | 6 |
| 11/16 | — | S/T SCREW B 3 X 8 BF | 3/2 |
| 12 | — | M/C SCREW 3 X 6 B | 2 |
| 15 | — | S/T SCREW B3 X 6 BF | 9 |
| 18 | — | S/T SCREW B 3 X 7 BF | 4 |

SAFETY PRECAUTION

The parts identified by  mark are critical for safety. Replace only with part number specified.

The mounting position of replacement is to be identical with originals. The substitute replacement parts which do not have the same safety characteristics as specified in the parts list may create shock, fire or other hazards.

PARTS LIST: BDP5100/12

| No. | 12NC No. | Description | Q'ty |
|--|--------------|--------------------------------|------|
|  11 | 996510031266 | ASSY-PW BD | 1 |
| 14 | 996510031556 | BACK PLATE | 1 |
| 15 | 996510031541 | ASSY-MAIN BOARD | 1 |
| 18 | 996510031557 | TOP COVER | 1 |
| 20 | 996510031268 | BLU-RAY DISK LOADER | 1 |
| 21 | 996510031267 | ASSY-SW BD | 1 |
| 6 | 996510031273 | ASSY-FE BD | 1 |
| 9 | 996510031272 | BOTTOM PLATE | 1 |
| ASSY2 | 996510031558 | ASSY FRONT DOOR | 1 |
| AVCABLE | 996500020384 | AUDIO/VIDEO CABLE 1.5M | 1 |
| Assy1 | 996510031573 | ASSY FRONT PANEL | 1 |
| CN504 | 996510000546 | 8PIN HS | 1 |
| JP1 | 996510025834 | CABLE 5P 130MM FH-JC20 | 1 |
| JP2 | 996510029488 | CABLE 9PIN 140MM FH-JC20 | 1 |
| JP3 | 996510031263 | FLAT WIRE 3P L200 PH-3Y/SAN-3P | 1 |
| JP4 | 996510031377 | USB CABLE 4PIN L200MM | 1 |
| PCORD | 996510001537 | POWER CORD | 1 |
| RC | 996510041223 | REMOTE CONTROL | 1 |
| XP3 | 996510031379 | 8PIN WIRE PH1.0MM L100MM B | 1 |

Screws List

| No | 12NC No. | Description | Q'ty |
|-------|----------|------------------------|------|
| 7 | — | S/T SCREW B 2.6 X 6 BF | 7 |
| 9 | — | S/T SCREW | 6 |
| 11/16 | — | S/T SCREW B 3 X 8 BF | 3/2 |
| 12 | — | M/C SCREW 3 X 6 B | 1 |
| 15 | — | S/T SCREW B3 X 6 BF | 9 |
| 18 | — | S/T SCREW B 3 X 7 BF | 4 |

SAFETY PRECAUTION

The parts identified by  mark are critical for safety. Replace only with part number specified.

The mounting position of replacement is to be identical with originals. The substitute replacement parts which do not have the same safety characteristics as specified in the parts list may create shock, fire or other hazards.

BDP3100/55 SERVICE PARTLIST

ELECTRICAL PARTLIST

| No | 12NC No. | Description | Q'ty |
|------|--------------|---------------------|------|
| △ 11 | 996510031266 | ASSY-PW BD | 1 |
| 21 | 996510031267 | ASSY-SW BOARD | 1 |
| 6 | 996510031273 | ASSY-FE BD | 1 |
| 15 | 996510031262 | ASSY-MAIN BD | 1 |
| 20 | 996510031268 | BLU-RAY DISK LOADER | 1 |

ASSY-MAIN BD COMPONENT PARTLIST

| No | 12NC No. | Description | Q'ty |
|------|--------------|----------------------------|------|
| D300 | 996510026638 | 4-CHANNEL ESD SOLUTION | 1 |
| D301 | 996510026638 | 4-CHANNEL ESD SOLUTION | 1 |
| D5 | 996510020926 | IC PDS5V0S1BA | 1 |
| D6 | 996510020926 | IC PDS5V0S1BA | 1 |
| D7 | 996510020926 | IC PDS5V0S1BA | 1 |
| D8 | 996510020926 | IC PDS5V0S1BA | 1 |
| FU5 | 996510032919 | SPINDLE MOTOR & ACTUATOR | 1 |
| FU6 | 996510032911 | IC CW1117 | 1 |
| TVS3 | 996510026617 | IC PGB1010603 | 1 |
| TVS4 | 996510026617 | IC PGB1010603 | 1 |
| U100 | 996510032915 | BD DECODE IC MT8530 | 1 |
| U101 | 996510032917 | 64X16MB DDR2 SDRAM | 1 |
| U102 | 996510032917 | 64X16MB DDR2 SDRAM | 1 |
| U103 | 996510032912 | REGULATOR G2992B | 1 |
| U2 | 996510032951 | IC AZ1117 LDO 3.3V-1.2V | 1 |
| U201 | 996510032918 | IC NY512M DDR2 1066MHZ | 1 |
| U202 | 996510032918 | IC NY512M DDR2 1066MHZ | 1 |
| U351 | 996510032916 | 2GB NAND FLASH | 1 |
| U352 | 996510032943 | IC TPS652 PWR MANAGEMENT | 1 |
| U4 | 996510031778 | IC 3.3V | 1 |
| U5 | 996510026642 | IC G691L2 | 1 |
| U6 | 996510010924 | Dual operational amplifier | 1 |
| U701 | 996510032913 | IC SMSC8710 HSSOP | 1 |
| U703 | 996510032929 | MOTOR DRIVER IC TP1391 | 1 |
| U914 | 996510026625 | IC 78L050 | 1 |
| U915 | 996510026652 | IC 4385DA DAC | 1 |

ASSY-FE BD COMPONENT PARTLIST

| NO | 12NC NO. | Description | Q'ty |
|------|--------------|--------------------------------|------|
| IR1 | 996510026624 | IR RECEIVER MODULE2.7-5.5V12mm | 1 |
| U4 | 996500026619 | VFD DRIVER IC CS16312EN | 1 |
| VFD3 | 996510026633 | VFD DISPLAY | 1 |

ASSY-PW BD COMPONENT PARTLIST

| NO | 12NC NO. | Description | Q'ty |
|-------|--------------|--|------|
| D501 | 996510011047 | DIODE IN4007 | 1 |
| D502 | 996510013568 | DIODE FR107 | 1 |
| D503 | 996500025702 | DIODE SR3100 | 1 |
| D504 | 996510013568 | DIODE FR107 | 1 |
| D505 | 996510009725 | DIODE 2A1000V | 1 |
| D506 | 996510009725 | DIODE 2A1000V | 1 |
| D507 | 996510009725 | DIODE 2A1000V | 1 |
| D508 | 996510009725 | DIODE 2A1000V | 1 |
| D509 | 996500027866 | DIODE SR360 3A/60V | 1 |
| D510 | 996500027866 | DIODE SR360 3A/60V | 1 |
| D511 | 996510002996 | DIODE 1N4148 (SWITCHING) | 1 |
| L6 | 996510032944 | COIL 3.3UH 6*8MM | 1 |
| LF501 | 996510026639 | COMMON INDUCTANCE | 1 |
| T501 | 996510030215 | TRANSFORMER (BCK-03EF25) | 1 |
| U501 | 996510030211 | PWM IC NCP1271B | 1 |
| U502 | 996500024838 | PC123X9YFZ | 1 |
| U503 | 996510032928 | IC TL431A | 1 |
| U505 | 996510032914 | POSITIVE VOLTAGE REGULATORS | 1 |
| ZD501 | 996510007898 | DIODE ZENER 24V 1/2W 5% | 1 |
| ZD502 | 996500015716 | DIODE ZENER 33V 1/2W 5% | 1 |
| ZD503 | 996510007898 | DIODE ZENER 24V 1/2W 5% | 1 |
| ZD504 | 996510032942 | DIODE ZENER BZX79-C11 11V _i ±5% | 1 |

MECHANICAL PARTLIST

| No | 12NC No. | Description | Q'ty |
|-----------|--------------|--------------------------------|------|
| △ 13 | 996510032947 | BACK PLATE | 1 |
| △ 18 | 996510031271 | TOP COVER | 1 |
| △ 9 | 996510031272 | BOTTOM PLATE | 1 |
| △ AVCABLE | 996500020384 | AUDIO/VIDEO CABLE | 1 |
| FrPanel | 996510032941 | FRONT PANEL | 1 |
| △ PC | 996510001175 | POWER CORD | 1 |
| CN504 | 996510000546 | 8PIN HS | 1 |
| JP1 | 996510025834 | CABLE 5P 130MM FH-JC20 | 1 |
| JP2 | 996510032945 | 8PIN LINE | 1 |
| JP3 | 996510031263 | FLAT WIRE 3P L200 PH-3Y/SAN-3P | 1 |
| JP4 | 996510032946 | 4PIN CABLE | 1 |
| RC | 996510041223 | REMOTE CONTROL | 1 |
| XP3 | 996510031379 | 8PIN WIRE PH1.0MM L100MM B | 1 |

Screws List

| No | 12NC No. | Description | Q'ty |
|-------|----------|------------------------|------|
| 7 | — | S/T SCREW B 2.6 X 6 BF | 7 |
| 9 | — | S/T SCREW | 6 |
| 11/16 | — | S/T SCREW B 3 X 8 BF | 3/2 |
| 12 | — | M/C SCREW 3 X 6 B | 1 |
| 15 | — | S/T SCREW B3 X 6 BF | 9 |
| 18 | — | S/T SCREW B 3 X 7 BF | 4 |

BDP3100/93 SERVICE PARTLIST

ELECTRICAL PARTLIST

| No | 12NC No. | Description | Q'ty |
|------|--------------|---------------------|------|
| △ 11 | 996510031266 | ASSY-PW BD | 1 |
| 21 | 996510031267 | ASSY-SW BOARD | 1 |
| 6 | 996510031273 | ASSY-FE BD | 1 |
| 15 | 996510031262 | ASSY-MAIN BD | 1 |
| 20 | 996510031268 | BLU-RAY DISK LOADER | 1 |

ASSY-MAIN BD COMPONENT PARTLIST

| No | 12NC No. | Description | Q'ty |
|------|--------------|----------------------------|------|
| D300 | 996510026638 | 4-CHANNEL ESD SOLUTION | 1 |
| D301 | 996510026638 | 4-CHANNEL ESD SOLUTION | 1 |
| D5 | 996510020926 | IC PESD5V0S1BA | 1 |
| D6 | 996510020926 | IC PESD5V0S1BA | 1 |
| D7 | 996510020926 | IC PESD5V0S1BA | 1 |
| D8 | 996510020926 | IC PESD5V0S1BA | 1 |
| FU5 | 996510032919 | SPINDLE MOTOR & ACTUATOR | 1 |
| FU6 | 996510032911 | IC CW1117 | 1 |
| TVS3 | 996510026617 | IC PGB1010603 | 1 |
| TVS4 | 996510026617 | IC PGB1010603 | 1 |
| U100 | 996510032915 | BD DECODE IC MT8530 | 1 |
| U101 | 996510032917 | 64X16MB DDR2 SDRAM | 1 |
| U102 | 996510032917 | 64X16MB DDR2 SDRAM | 1 |
| U103 | 996510032912 | REGULATOR G2992B | 1 |
| U2 | 996510032951 | IC AZ1117 LDO 3.3V-1.2V | 1 |
| U201 | 996510032918 | IC NY512M DDR2 1066MHZ | 1 |
| U202 | 996510032918 | IC NY512M DDR2 1066MHZ | 1 |
| U351 | 996510032916 | 2GB NAND FLASH | 1 |
| U352 | 996510032943 | IC TPS652 PWR MANAGEMENT | 1 |
| U4 | 996510031778 | IC 3.3V | 1 |
| U5 | 996510026642 | IC G691L2 | 1 |
| U6 | 996510010924 | Dual operational amplifier | 1 |
| U701 | 996510032913 | IC SMSC8710 HSSOP | 1 |
| U703 | 996510032929 | MOTOR DRIVER IC TP1391 | 1 |
| U914 | 996510026625 | IC 78L050 | 1 |
| U915 | 996510026652 | IC 4385DA DAC | 1 |

ASSY-FE BD COMPONENT PARTLIST

| No | 12NC No. | Description | Q'ty |
|------|--------------|--------------------------------|------|
| IR1 | 996510026624 | IR RECEIVER MODULE2.7-5.5V12mm | 1 |
| U4 | 996500026619 | VFD DRIVER IC CS16312EN | 1 |
| VFD3 | 996510026633 | VFD DISPLAY | 1 |

ASSY-PW BD COMPONENT PARTLIST

| No | 12NC NO. | Description | Q'ty |
|-------|--------------|--|------|
| D501 | 996510011047 | DIODE IN4007 | 1 |
| D502 | 996510013568 | DIODE FR107 | 1 |
| D503 | 996500025702 | DIODE SR3100 | 1 |
| D504 | 996510013568 | DIODE FR107 | 1 |
| D505 | 996510009725 | DIODE 2A1000V | 1 |
| D506 | 996510009725 | DIODE 2A1000V | 1 |
| D507 | 996510009725 | DIODE 2A1000V | 1 |
| D508 | 996510009725 | DIODE 2A1000V | 1 |
| D509 | 996500027866 | DIODE SR360 3A/60V | 1 |
| D510 | 996500027866 | DIODE SR360 3A/60V | 1 |
| D511 | 996510002996 | DIODE 1N4148 (SWITCHING) | 1 |
| L6 | 996510032944 | COIL 3.3UH 6*8MM | 1 |
| LF501 | 996510026639 | COMMON INDUCTANCE | 1 |
| T501 | 996510030215 | TRANSFORMER (BCK-03EF25) | 1 |
| U501 | 996510030211 | PWM IC NCP1271B | 1 |
| U502 | 996500024838 | PC123X9YFZ | 1 |
| U503 | 996510032928 | IC TL431A | 1 |
| U505 | 996510032914 | POSITIVE VOLTAGE REGULATORS | 1 |
| ZD501 | 996510007898 | DIODE ZENER 24V 1/2W 5% | 1 |
| ZD502 | 996500015716 | DIODE ZENER 33V 1/2W 5% | 1 |
| ZD503 | 996510007898 | DIODE ZENER 24V 1/2W 5% | 1 |
| ZD504 | 996510032942 | DIODE ZENER BZX79-C11 11V _i ±5% | 1 |

MECHANICAL PARTLIST

| No | 12NC No. | Description | Q'ty |
|-----------|--------------|--------------------------------|------|
| △ 13 | 996510032952 | BACK PLATE | 1 |
| △ 18 | 996510031271 | TOP COVER | 1 |
| A | 996510032957 | GIFT BOX | 1 |
| △ AVCABLE | 996500020384 | AUDIO/VIDEO CABLE | 1 |
| FrPanel | 996510032941 | FRONT PANEL | 1 |
| △ PC | 996510009517 | POWER CORD | 1 |
| B | 996510032955 | USER MANUAL | 1 |
| C | 996510019880 | Worldwideguarantcard | 1 |
| CN504 | 996510000546 | 8PIN HS | 1 |
| CN504 | 996510032954 | QSG | 1 |
| D | 996510018311 | ACCESSORY BAG | 1 |
| E | 996510032956 | POLY BAG | 4 |
| F | 996510027111 | PAPER PAD | 1 |
| G | 996510027106 | PAPER PAD | 1 |
| H | 996500033761 | SERVICE GUARANTEE | 1 |
| I | 996500042132 | SERVICE HOT LINE | 1 |
| JP1 | 996510025834 | CABLE 5P 130MM FH-JC20 | 1 |
| JP2 | 996510032945 | 8PIN LINE | 1 |
| JP3 | 996510031263 | FLAT WIRE 3P L200 PH-3Y/SAN-3P | 1 |
| JP4 | 996510032946 | 4PIN CABLE | 1 |
| RC | 996510041223 | REMOTE CONTROL | 1 |
| XP3 | 996510031379 | 8PIN WIRE PH1.0MM L100MM B | 1 |

Screws List

| No | 12NC No. | Description | Q'ty |
|-------|----------|------------------------|------|
| 7 | — | S/T SCREW B 2.6 X 6 BF | 7 |
| 9 | — | S/T SCREW | 6 |
| 11/16 | — | S/T SCREW B 3 X 8 BF | 3/2 |
| 12 | — | M/C SCREW 3 X 6 B | 1 |
| 15 | — | S/T SCREW B3 X 6 BF | 9 |
| 18 | — | S/T SCREW B 3 X 7 BF | 4 |

BDP3100/98 SERVICE PARTLIST

ELECTRICAL PARTLIST

| No | 12NC No. | Description | Q'ty |
|------|--------------|---------------------|------|
| △ 11 | 996510031266 | ASSY-PW BD | 1 |
| 21 | 996510031267 | ASSY-SW BOARD | 1 |
| 6 | 996510031273 | ASSY-FE BD | 1 |
| 15 | 996510031262 | ASSY-MAIN BD | 1 |
| 20 | 996510031268 | BLU-RAY DISK LOADER | 1 |

ASSY-MAIN BD COMPONENT PARTLIST

| No | 12NC No. | Description | Q'ty |
|------|--------------|----------------------------|------|
| D300 | 996510026638 | 4-CHANNEL ESD SOLUTION | 1 |
| D301 | 996510026638 | 4-CHANNEL ESD SOLUTION | 1 |
| D5 | 996510020926 | IC PESD5V0S1BA | 1 |
| D6 | 996510020926 | IC PESD5V0S1BA | 1 |
| D7 | 996510020926 | IC PESD5V0S1BA | 1 |
| D8 | 996510020926 | IC PESD5V0S1BA | 1 |
| FU5 | 996510032919 | SPINDLE MOTOR & ACTUATOR | 1 |
| FU6 | 996510032911 | IC CW1117 | 1 |
| TVS3 | 996510026617 | IC PGB1010603 | 1 |
| TVS4 | 996510026617 | IC PGB1010603 | 1 |
| U100 | 996510032915 | BD DECODE IC MT8530 | 1 |
| U101 | 996510032917 | 64X16MB DDR2 SDRAM | 1 |
| U102 | 996510032917 | 64X16MB DDR2 SDRAM | 1 |
| U103 | 996510032912 | REGULATOR G2992B | 1 |
| U2 | 996510032951 | IC AZ1117 LDO 3.3V-1.2V | 1 |
| U201 | 996510032918 | IC NY512M DDR2 1066MHZ | 1 |
| U202 | 996510032918 | IC NY512M DDR2 1066MHZ | 1 |
| U351 | 996510032916 | 2GB NAND FLASH | 1 |
| U352 | 996510032943 | IC TPS652 PWR MANAGEMENT | 1 |
| U4 | 996510031778 | IC 3.3V | 1 |
| U5 | 996510026642 | IC G691L2 | 1 |
| U6 | 996510010924 | Dual operational amplifier | 1 |
| U701 | 996510032913 | IC SMSC8710 HSSOP | 1 |
| U703 | 996510032929 | MOTOR DRIVER IC TP1391 | 1 |
| U914 | 996510026625 | IC 78L050 | 1 |
| U915 | 996510026652 | IC 4385DA DAC | 1 |

ASSY-FE BD COMPONENT PARTLIST

| NO | 12NC NO. | Description | Q'ty |
|------|--------------|--------------------------------|------|
| IR1 | 996510026624 | IR RECEIVER MODULE2.7-5.5V12mm | 1 |
| U4 | 996500026619 | VFD DRIVER IC CS16312EN | 1 |
| VFD3 | 996510026633 | VFD DISPLAY | 1 |

ASSY-PW BD COMPONENT PARTLIST

| NO | 12NC NO. | Description | Q'ty |
|-------|--------------|--|------|
| D501 | 996510011047 | DIODE IN4007 | 1 |
| D502 | 996510013568 | DIODE FR107 | 1 |
| D503 | 996500025702 | DIODE SR3100 | 1 |
| D504 | 996510013568 | DIODE FR107 | 1 |
| D505 | 996510009725 | DIODE 2A1000V | 1 |
| D506 | 996510009725 | DIODE 2A1000V | 1 |
| D507 | 996510009725 | DIODE 2A1000V | 1 |
| D508 | 996510009725 | DIODE 2A1000V | 1 |
| D509 | 996500027866 | DIODE SR360 3A/60V | 1 |
| D510 | 996500027866 | DIODE SR360 3A/60V | 1 |
| D511 | 996510002996 | DIODE 1N4148 (SWITCHING) | 1 |
| L6 | 996510032944 | COIL 3.3UH 6*8MM | 1 |
| LF501 | 996510026639 | COMMON INDUCTANCE | 1 |
| T501 | 996510030215 | TRANSFORMER (BCK-03EF25) | 1 |
| U501 | 996510030211 | PWM IC NCP1271B | 1 |
| U502 | 996500024838 | PC123X9YFZ | 1 |
| U503 | 996510032928 | IC TL431A | 1 |
| U505 | 996510032914 | POSITIVE VOLTAGE REGULATORS | 1 |
| ZD501 | 996510007898 | DIODE ZENER 24V 1/2W 5% | 1 |
| ZD502 | 996500015716 | DIODE ZENER 33V 1/2W 5% | 1 |
| ZD503 | 996510007898 | DIODE ZENER 24V 1/2W 5% | 1 |
| ZD504 | 996510032942 | DIODE ZENER BZX79-C11 11V _i ±5% | 1 |

MECHANICAL PARTLIST

| No | 12NC No. | Description | Q'ty |
|-----------|--------------|--------------------------------|------|
| △ B | 996510032953 | BACK PLATE | 1 |
| △ 18 | 996510031271 | TOP COVER | 1 |
| △ A | 996510031272 | BOTTOM PLATE | 1 |
| △ AVCABLE | 996500020384 | AUDIO/VIDEO CABLE 1 | 1 |
| CN504 | 996510000546 | 8PIN HS | 1 |
| JP1 | 996510025834 | CABLE 5P 130MM FH-JC20 | 1 |
| JP2 | 996510032945 | 8PIN LINE | 1 |
| JP3 | 996510031263 | FLAT WIRE 3P L200 PH-3Y/SAN-3P | 1 |
| JP4 | 996510032946 | 4PIN CABLE | 1 |
| △ PC | 996510001537 | POWER CORD | 1 |
| RC | 996510041223 | REMOTE CONTROL | 1 |
| XP3 | 996510031379 | 8PIN WIRE PH1.0MM L100MM B | 1 |

Screws List

| No | 12NC No. | Description | Q'ty |
|-------|----------|------------------------|------|
| 7 | — | S/T SCREW B 2.6 X 6 BF | 7 |
| 9 | — | S/T SCREW | 6 |
| 11/16 | — | S/T SCREW B 3 X 8 BF | 3/2 |
| 12 | — | M/C SCREW 3 X 6 B | 1 |
| 15 | — | S/T SCREW B3 X 6 BF | 9 |
| 18 | — | S/T SCREW B 3 X 7 BF | 4 |

BDP3100X/78 SERVICE PARTLIST

ELECTRICAL PARTLIST

| No | 12NC No. | Description | Q'ty |
|------|--------------|---------------------|------|
| △ 10 | 996510031266 | ASSY-PW BD | 1 |
| 20 | 996510031267 | ASSY-SW BOARD | 1 |
| 5 | 996510031273 | ASSY-FE BD | 1 |
| 14 | 996510031262 | ASSY-MAIN BD | 1 |
| 19 | 996510031268 | BLU-RAY DISK LOADER | 1 |

ASSY-MAIN BD COMPONENT PARTLIST

| No | 12NC No. | Description | Q'ty |
|------|--------------|----------------------------|------|
| D300 | 996510026638 | 4-CHANNEL ESD SOLUTION | 1 |
| D301 | 996510026638 | 4-CHANNEL ESD SOLUTION | 1 |
| D5 | 996510020926 | IC PESD5V0S1BA | 1 |
| D6 | 996510020926 | IC PESD5V0S1BA | 1 |
| D7 | 996510020926 | IC PESD5V0S1BA | 1 |
| D8 | 996510020926 | IC PESD5V0S1BA | 1 |
| FU5 | 996510032919 | SPINDLE MOTOR & ACTUATOR | 1 |
| FU6 | 996510032911 | IC CW1117 | 1 |
| TVS3 | 996510026617 | IC PGB1010603 | 1 |
| TVS4 | 996510026617 | IC PGB1010603 | 1 |
| U100 | 996510032915 | BD DECODE IC MT8530 | 1 |
| U101 | 996510032917 | 64X16MB DDR2 SDRAM | 1 |
| U102 | 996510032917 | 64X16MB DDR2 SDRAM | 1 |
| U103 | 996510032912 | REGULATOR G2992B | 1 |
| U2 | 996510032951 | IC AZ1117 LDO 3.3V-1.2V | 1 |
| U201 | 996510032918 | IC NY512M DDR2 1066MHZ | 1 |
| U202 | 996510032918 | IC NY512M DDR2 1066MHZ | 1 |
| U351 | 996510032916 | 2GB NAND FLASH | 1 |
| U352 | 996510032943 | IC TPS652 PWR MANAGEMENT | 1 |
| U4 | 996510031778 | IC 3.3V | 1 |
| U5 | 996510026642 | IC G691L2 | 1 |
| U6 | 996510010924 | Dual operational amplifier | 1 |
| U701 | 996510032913 | IC SMSC8710 HSSOP | 1 |
| U703 | 996510032929 | MOTOR DRIVER IC TP1391 | 1 |
| U914 | 996510026625 | IC 78L050 | 1 |
| U915 | 996510026652 | IC 4385DA DAC | 1 |

ASSY-FE BD COMPONENT PARTLIST

| No | 12NC No. | Description | Q'ty |
|------|--------------|--------------------------------|------|
| IR1 | 996510026624 | IR RECEIVER MODULE2.7-5.5V12mm | 1 |
| U4 | 996500026619 | VFD DRIVER IC CS16312EN | 1 |
| VFD3 | 996510026633 | VFD DISPLAY | 1 |

ASSY-PW BD COMPONENT PARTLIST

| No | 12NC No. | Description | Q'ty |
|-------|--------------|--|------|
| D501 | 996510011047 | DIODE IN4007 | 1 |
| D502 | 996510013568 | DIODE FR107 | 1 |
| D503 | 996500025702 | DIODE SR3100 | 1 |
| D504 | 996510013568 | DIODE FR107 | 1 |
| D505 | 996510009725 | DIODE 2A1000V | 1 |
| D506 | 996510009725 | DIODE 2A1000V | 1 |
| D507 | 996510009725 | DIODE 2A1000V | 1 |
| D508 | 996510009725 | DIODE 2A1000V | 1 |
| D509 | 996500027866 | DIODE SR360 3A/60V | 1 |
| D510 | 996500027866 | DIODE SR360 3A/60V | 1 |
| D511 | 996510002996 | DIODE 1N4148 (SWITCHING) | 1 |
| L6 | 996510032944 | COIL 3.3UH 6*8MM | 1 |
| LF501 | 996510026639 | COMMON INDUCTANCE | 1 |
| T501 | 996510030215 | TRANSFORMER (BCK-03EF25) | 1 |
| U501 | 996510030211 | PWM IC NCP1271B | 1 |
| U502 | 996500024838 | PC123X9YFZ | 1 |
| U503 | 996510032928 | IC TL431A | 1 |
| U505 | 996510032914 | POSITIVE VOLTAGE REGULATORS | 1 |
| ZD501 | 996510007898 | DIODE ZENER 24V 1/2W 5% | 1 |
| ZD502 | 996500015716 | DIODE ZENER 33V 1/2W 5% | 1 |
| ZD503 | 996510007898 | DIODE ZENER 24V 1/2W 5% | 1 |
| ZD504 | 996510032942 | DIODE ZENER BZX79-C11 11V _i ±5% | 1 |

MECHANICAL PARTLIST

| No | 12NC No. | Description | Q'ty |
|---------|--------------|--------------------------------|------|
| 13 | 996510031274 | BACK PLATE | 1 |
| 17 | 996510031271 | TOP COVER | 1 |
| 1 | 996510031264 | FRONT DOOR | 1 |
| AVCABLE | 996500020384 | AUDIO/VIDEO CABLE 1 | 1 |
| △ PCORD | 996510001175 | POWER CORD | 1 |
| 8 | 996510031272 | BOTTOM PLATE | 1 |
| Assy1 | 996510031265 | ASSY-FRONT PANEL | 1 |
| CN504 | 996510000546 | 8PIN HS | 1 |
| JP1 | 996510025834 | CABLE 5P 130MM FH-JC20 | 1 |
| JP2 | 996510029488 | CABLE 9PIN 140MM FH-JC20 | 1 |
| JP3 | 996510031263 | FLAT WIRE 3P L200 PH-3Y/SAN-3P | 1 |
| JP4 | 996510031269 | USB CABLE 4PIN 2MM300MMPH/JC20 | 1 |
| RC | 996510041223 | REMOTE CONTROL | 1 |

Screws List

| No | 12NC No. | Description | Q'ty |
|-------|----------|------------------------|------|
| 7 | — | S/T SCREW B 2.6 X 6 BF | 7 |
| 9 | — | S/T SCREW | 6 |
| 11/16 | — | S/T SCREW B 3 X 8 BF | 3/2 |
| 12 | — | M/C SCREW 3 X 6 B | 1 |
| 15 | — | S/T SCREW B3 X 6 BF | 9 |
| 18 | — | S/T SCREW B 3 X 7 BF | 4 |

BDP3100/96 SERVICE PARTLIST

ELECTRICAL PARTLIST

| No | 12NC No. | Description | Q'ty |
|------|--------------|------------------|------|
| 15 | 996510034431 | ASSY-MAIN BOARD | 1 |
| 21 | 996510031267 | ASSY-SW BOARD | 1 |
| 6 | 996510031273 | ASSY-FE BOARD | 1 |
| △ 11 | 996510031266 | ASSY-PW BD | 1 |
| 20 | 996510034417 | ASA BOARD P021-C | 1 |
| OPU | 996510031268 | OPU | 1 |

ASSY-MAIN BD COMPONENT PARTLIST

| NO | 12NC NO. | Description | Q'ty |
|------|--------------|------------------------------|------|
| D300 | 996510026638 | 4-CHANNEL ESD SOLUTION | 1 |
| D301 | 996510026638 | 4-CHANNEL ESD SOLUTION | 1 |
| D5 | 996510020926 | IC PDS5V0S1BA | 1 |
| D6 | 996510020926 | IC PDS5V0S1BA | 1 |
| D7 | 996510020926 | IC PDS5V0S1BA | 1 |
| D8 | 996510020926 | IC PDS5V0S1BA | 1 |
| FU5 | 996510032919 | SPINDLE MOTOR & ACTUATOR | 1 |
| FU6 | 996510032911 | IC CW1117 | 1 |
| TVS3 | 996510026617 | IC PGB1010603 | 1 |
| TVS4 | 996510026617 | IC PGB1010603 | 1 |
| U100 | 996510032915 | BD DECODE IC MT8530 | 1 |
| U101 | 996510032917 | 64X16MB DDR2 SDRAM | 1 |
| U102 | 996510032917 | 64X16MB DDR2 SDRAM | 1 |
| U103 | 996510032912 | REGULATOR G2992B | 1 |
| U2 | 996510032951 | IC AZ1117 LDO 3.3V-1.2V | 1 |
| U201 | 996510032918 | IC NY512M DDR2 1066MHZ | 1 |
| U202 | 996510032918 | IC NY512M DDR2 1066MHZ | 1 |
| U351 | 996510034432 | IC 2GB NAND FLASH BDP3100/96 | 1 |
| U352 | 996510032943 | IC TPS652 PWR MANAGEMENT | 1 |
| U4 | 996510031778 | IC 3.3V | 1 |
| U5 | 996510026642 | IC G691L2 | 1 |
| U6 | 996510010924 | Dual operational amplifier | 1 |
| U701 | 996510032913 | IC SMSC8710 HSSOP | 1 |
| U703 | 996510032929 | MOTOR DRIVER IC TP1391 | 1 |
| U914 | 996510026625 | IC 78L050 | 1 |
| U915 | 996510026652 | IC 4385DA DAC | 1 |
| Y300 | 996510026621 | CRYSTAL 25MHZ | 1 |
| Y301 | 996510026628 | CRYSTAL 27MHZ | 1 |
| Y700 | 996510026621 | CRYSTAL 25MHZ | 1 |

ASSY-FE BD COMPONENT PARTLIST

| NO | 12NC NO. | Description | Q'ty |
|------|--------------|--------------------------------|------|
| IR1 | 996510026624 | IR RECEIVER MODULE2.7-5.5V12mm | 1 |
| U4 | 996500026619 | VFD DRIVER IC CS16312EN | 1 |
| VFD3 | 996510026633 | VFD DISPLAY | 1 |

ASSY-PW BD COMPONENT PARTLIST

| NO | 12NC NO. | Description | Q'ty |
|--------|--------------|--|------|
| D501 | 996510011047 | DIODE IN4007 | 1 |
| D502 | 996510013568 | DIODE FR107 | 1 |
| D503 | 996500025702 | DIODE SR3100 | 1 |
| D504 | 996510013568 | DIODE FR107 | 1 |
| D505 | 996510009725 | DIODE 2A1000V | 1 |
| D506 | 996510009725 | DIODE 2A1000V | 1 |
| D507 | 996510009725 | DIODE 2A1000V | 1 |
| D508 | 996510009725 | DIODE 2A1000V | 1 |
| D509 | 996500027866 | DIODE SR360 3A/60V | 1 |
| D510 | 996500027866 | DIODE SR360 3A/60V | 1 |
| D511 | 996510002996 | DIODE 1N4148 (SWITCHING) | 1 |
| L6 | 996510032944 | COIL 3.3UH 6*8MM | 1 |
| LF501 | 996510026639 | COMMON INDUCTANCE | 1 |
| △ T501 | 996510030215 | TRANSFORMER (BCK-03EF25) | 1 |
| U501 | 996510030211 | PWM IC NCP1271B | 1 |
| U502 | 996500024838 | PC123X9YFZ | 1 |
| U503 | 996510032928 | IC TL431A | 1 |
| U505 | 996510032914 | POSITIVE VOLTAGE REGULATORS | 1 |
| ZD501 | 996510007898 | DIODE ZENER 24V 1/2W 5% | 1 |
| ZD502 | 996500015716 | DIODE ZENER 33V 1/2W 5% | 1 |
| ZD503 | 996510007898 | DIODE ZENER 24V 1/2W 5% | 1 |
| ZD504 | 996510032942 | DIODE ZENER BZX79-C11 11V _i ±5% | 1 |

MECHANICAL PARTLIST

| No | 12NC No. | Description | Q'ty |
|---------|--------------|--------------------------------|------|
| 14 | 996510032953 | BACK PLATE | 1 |
| 18 | 996510031271 | TOP COVER | 1 |
| 9 | 996510031272 | BOTTOM PLATE | 1 |
| AVCABLE | 996500020384 | AUDIO/VIDEO CABLE 1 | 1 |
| Assy1 | 996510031265 | ASSY-FRONT PANEL | 1 |
| CN504 | 996510000546 | 8PIN HS | 1 |
| JP1 | 996510025834 | CABLE 5P 130MM FH-JC20 | 1 |
| JP2 | 996510032945 | 8PIN LINE | 1 |
| JP3 | 996510031263 | FLAT WIRE 3P L200 PH-3Y/SAN-3P | 1 |
| JP4 | 996510032946 | 4PIN CABLE | 1 |
| △ PC | 996510027102 | POWER CORD | 1 |
| RC | 996510041223 | REMOTE CONTROL | 1 |
| XP3 | 996510031379 | 8PIN WIRE PH1.0MM L100MM B | 1 |

Screws List

| No | 12NC No. | Description | Q'ty |
|----|----------|----------------------------|------|
| 8 | — | S/T SCREW B 2.6 X 6 BF | 6 |
| 10 | — | TRIANGLE M/C SCREW B 3 X 6 | 6 |
| 12 | — | S/T SCREW B 3 X 8 BF | 4 |
| 13 | — | M/C SCREW 3 X 6 B | 1 |
| 16 | — | S/T SCREW B3 X 6 BF | 7 |
| 17 | — | S/T SCREW B3 X 6 BF | 2 |
| 19 | — | S/T SCREW B 3 X 7 BF | 4 |

BDP5100/93 SERVICE PARTLIST

ELECTRICAL PARTLIST

| No | 12NC No. | Description | Q'ty |
|------|--------------|-----------------|------|
| 15 | 996510034426 | ASSY-MAIN BOARD | 1 |
| 21 | 996510031267 | ASSY-SW BOARD | 1 |
| 6 | 996510031273 | ASSY-FE BOARD | 1 |
| △ 11 | 996510031266 | ASSY-PW BD | 1 |
| 20 | 996510034417 | ASA BOARD | 1 |

ASSY-MAIN BD COMPONENT PARTLIST

| NO | 12NC NO. | Description | Q'ty |
|------|--------------|------------------------------|------|
| D300 | 996510026638 | 4-CHANNEL ESD SOLUTION | 1 |
| D301 | 996510026638 | 4-CHANNEL ESD SOLUTION | 1 |
| D5 | 996510020926 | IC PDS5V0S1BA | 1 |
| D6 | 996510020926 | IC PDS5V0S1BA | 1 |
| D7 | 996510020926 | IC PDS5V0S1BA | 1 |
| D8 | 996510020926 | IC PDS5V0S1BA | 1 |
| FU5 | 996510032919 | SPINDLE MOTOR & ACTUATOR | 1 |
| FU6 | 996510032911 | IC CW1117 | 1 |
| TVS3 | 996510026617 | IC PGB1010603 | 1 |
| TVS4 | 996510026617 | IC PGB1010603 | 1 |
| U100 | 996510034419 | IC MT8530 BD DECODE | 1 |
| U101 | 996510032917 | 64X16MB DDR2 SDRAM | 1 |
| U102 | 996510032917 | 64X16MB DDR2 SDRAM | 1 |
| U103 | 996510032912 | REGULATOR G2992B | 1 |
| U2 | 996510032951 | IC AZ1117 LDO 3.3V-1.2V | 1 |
| U201 | 996510032918 | IC NY512M DDR2 1066MHZ | 1 |
| U202 | 996510032918 | IC NY512M DDR2 1066MHZ | 1 |
| U351 | 996510034429 | IC 2GB NAND FLASH BDP5100/93 | 1 |
| U352 | 996510032943 | IC TPS652 PWR MANAGEMENT | 1 |
| U4 | 996510031778 | IC 3.3V | 1 |
| U5 | 996510026642 | IC G691L2 | 1 |
| U6 | 996510010924 | Dual operational amplifier | 1 |
| U701 | 996510032913 | IC SMSC8710 HSSOP | 1 |
| U703 | 996510032929 | MOTOR DRIVER IC TP1391 | 1 |
| U914 | 996510026625 | IC 78L050 | 1 |
| U915 | 996510026652 | IC 4385DA DAC | 1 |

ASSY-FE BD COMPONENT PARTLIST

| NO | 12NC NO. | Description | Q'ty |
|------|--------------|--------------------------------|------|
| IR1 | 996510026624 | IR RECEIVER MODULE2.7-5.5V12mm | 1 |
| U4 | 996500026619 | VFD DRIVER IC CS16312EN | 1 |
| VFD3 | 996510026633 | VFD DISPLAY | 1 |

ASSY-PW BD COMPONENT PARTLIST

| NO | 12NC NO. | Description | Q'ty |
|--------|--------------|--|------|
| D501 | 996510011047 | DIODE IN4007 | 1 |
| D502 | 996510013568 | DIODE FR107 | 1 |
| D503 | 996500025702 | DIODE SR3100 | 1 |
| D504 | 996510013568 | DIODE FR107 | 1 |
| D505 | 996510009725 | DIODE 2A1000V | 1 |
| D506 | 996510009725 | DIODE 2A1000V | 1 |
| D507 | 996510009725 | DIODE 2A1000V | 1 |
| D508 | 996510009725 | DIODE 2A1000V | 1 |
| D509 | 996500027866 | DIODE SR360 3A/60V | 1 |
| D510 | 996500027866 | DIODE SR360 3A/60V | 1 |
| D511 | 996510002996 | DIODE 1N4148 (SWITCHING) | 1 |
| L6 | 996510032944 | COIL 3.3UH 6*8MM | 1 |
| LF501 | 996510026639 | COMMON INDUCTANCE | 1 |
| △ T501 | 996510030215 | TRANSFORMER (BCK-03EF25) | 1 |
| U501 | 996510030211 | PWM IC NCP1271B | 1 |
| U502 | 996500024838 | PC123X9YFZ | 1 |
| U503 | 996510032928 | IC TL431A | 1 |
| U505 | 996510032914 | POSITIVE VOLTAGE REGULATORS | 1 |
| ZD501 | 996510007898 | DIODE ZENER 24V 1/2W 5% | 1 |
| ZD502 | 996500015716 | DIODE ZENER 33V 1/2W 5% | 1 |
| ZD503 | 996510007898 | DIODE ZENER 24V 1/2W 5% | 1 |
| ZD504 | 996510032942 | DIODE ZENER BZX79-C11 11V _i ±5% | 1 |

MECHANICAL PARTLIST

| No | 12NC No. | Description | Q'ty |
|---------|--------------|--------------------------------|------|
| 14 | 996510034428 | BACK PLATE | 1 |
| 18 | 996510031557 | TOP COVER | 1 |
| 9 | 996510031272 | BOTTOM PLATE | 1 |
| ASSY2 | 996510031558 | ASSY FRONT DOOR | 1 |
| AVCABLE | 996500020384 | AUDIO/VIDEO CABLE 1 | 1 |
| Assy1 | 996510031573 | ASSY FRONT PANEL | 1 |
| BAG | 996510018311 | ACCESSORY BAG | 1 |
| CN504 | 996510000546 | 8PIN HS | 1 |
| GIFTBOX | 996510034424 | GIFT BOX | 1 |
| HOTLINE | 996500042132 | SERVICE HOT LINE | 1 |
| JP1 | 996510025834 | CABLE 5P 130MM FH-JC20 | 1 |
| JP2 | 996510032945 | 8PIN LINE | 1 |
| JP3 | 996510031263 | FLAT WIRE 3P L200 PH-3Y/SAN-3P | 1 |
| JP4 | 996510032946 | 4PIN CABLE | 1 |
| LPAD | 996510027106 | PAPER PAD | 1 |
| MANUAL | 996510034427 | USER MANUAL | 1 |
| OPU | 996510031268 | BLU-RAY DISK LOADER | 1 |
| △ PC | 996510009517 | POWER CORD | 1 |
| POLYBAG | 996510032956 | POLY BAG | 1 |
| QSG | 996510034425 | QSG | 1 |
| RC | 996510041223 | REMOTE CONTROL | 1 |
| RPAD | 996510027111 | PAPER PAD | 1 |
| SG | 996500033761 | SERVICE GUARANTEE | 1 |
| WC | 996510019880 | Worldwideguarantcard | 1 |
| XP3 | 996510031379 | 8PIN WIRE PH1.0MM L100MM B | 1 |

Screws List

| No | 12NC No. | Description | Q'ty |
|----|----------|----------------------------|------|
| 8 | — | S/T SCREW B 2.6 X 6 BF | 6 |
| 10 | — | TRIANGLE M/C SCREW B 3 X 6 | 6 |
| 12 | — | S/T SCREW B 3 X 8 BF | 4 |
| 13 | — | M/C SCREW 3 X 6 B | 1 |
| 16 | — | S/T SCREW B3 X 6 BF | 7 |
| 17 | — | S/T SCREW B3 X 6 BF | 2 |
| 19 | — | S/T SCREW B 3 X 7 BF | 4 |

BDP5100/98 SERVICE PARTLIST

ELECTRICAL PARTLIST

| No | 12NC No. | Description | Q'ty |
|------|--------------|-----------------|------|
| 15 | 996510034422 | ASSY-MAIN BOARD | 1 |
| 21 | 996510031267 | ASSY-SW BOARD | 1 |
| 6 | 996510031273 | ASSY-FE BOARD | 1 |
| △ 11 | 996510031266 | ASSY-PW BD | 1 |
| 20 | 996510034417 | ASA BOARD | 1 |
| OPU | 996510031268 | OPU | 1 |

ASSY-MAIN BD COMPONENT PARTLIST

| NO | 12NC NO. | Description | Q'ty |
|------|--------------|------------------------------|------|
| D300 | 996510026638 | 4-CHANNEL ESD SOLUTION | 1 |
| D301 | 996510026638 | 4-CHANNEL ESD SOLUTION | 1 |
| D5 | 996510020926 | IC PPSD5V0S1BA | 1 |
| D6 | 996510020926 | IC PPSD5V0S1BA | 1 |
| D7 | 996510020926 | IC PPSD5V0S1BA | 1 |
| D8 | 996510020926 | IC PPSD5V0S1BA | 1 |
| FU5 | 996510032919 | SPINDLE MOTOR & ACTUATOR | 1 |
| FU6 | 996510032911 | IC CW1117 | 1 |
| TVS3 | 996510026617 | IC PGB1010603 | 1 |
| TVS4 | 996510026617 | IC PGB1010603 | 1 |
| U100 | 996510034419 | IC MT8530 BD DECODE | 1 |
| U101 | 996510032917 | 64X16MB DDR2 SDRAM | 1 |
| U102 | 996510032917 | 64X16MB DDR2 SDRAM | 1 |
| U103 | 996510032912 | REGULATOR G2992B | 1 |
| U2 | 996510032951 | IC AZ1117 LDO 3.3V-1.2V | 1 |
| U201 | 996510032918 | IC NY512M DDR2 1066MHZ | 1 |
| U202 | 996510032918 | IC NY512M DDR2 1066MHZ | 1 |
| U351 | 996510034421 | IC 2GB NAND FLASH BDP5100/98 | 1 |
| U352 | 996510032943 | IC TPS652 PWR MANAGEMENT | 1 |
| U4 | 996510031778 | IC 3.3V | 1 |
| U5 | 996510026642 | IC G691L2 | 1 |
| U6 | 996510010924 | Dual operational amplifier | 1 |
| U701 | 996510032913 | IC SMSC8710 HSSOP | 1 |
| U703 | 996510032929 | MOTOR DRIVER IC TP1391 | 1 |
| U914 | 996510026625 | IC 78L050 | 1 |
| U915 | 996510026652 | IC 4385DA DAC | 1 |

ASSY-FE BD COMPONENT PARTLIST

| NO | 12NC NO. | Description | Q'ty |
|------|--------------|--------------------------------|------|
| IR1 | 996510026624 | IR RECEIVER MODULE2.7-5.5V12mm | 1 |
| U4 | 996500026619 | VFD DRIVER IC CS16312EN | 1 |
| VFD3 | 996510026633 | VFD DISPLAY | 1 |

ASSY-PW BD COMPONENT PARTLIST

| NO | 12NC NO. | Description | Q'ty |
|--------|--------------|--|------|
| D501 | 996510011047 | DIODE IN4007 | 1 |
| D502 | 996510013568 | DIODE FR107 | 1 |
| D503 | 996500025702 | DIODE SR3100 | 1 |
| D504 | 996510013568 | DIODE FR107 | 1 |
| D505 | 996510009725 | DIODE 2A1000V | 1 |
| D506 | 996510009725 | DIODE 2A1000V | 1 |
| D507 | 996510009725 | DIODE 2A1000V | 1 |
| D508 | 996510009725 | DIODE 2A1000V | 1 |
| D509 | 996500027866 | DIODE SR360 3A/60V | 1 |
| D510 | 996500027866 | DIODE SR360 3A/60V | 1 |
| D511 | 996510002996 | DIODE 1N4148 (SWITCHING) | 1 |
| L6 | 996510032944 | COIL 3.3UH 6*8MM | 1 |
| LF501 | 996510026639 | COMMON INDUCTANCE | 1 |
| △ T501 | 996510030215 | TRANSFORMER (BCK-03EF25) | 1 |
| U501 | 996510030211 | PWM IC NCP1271B | 1 |
| U502 | 996500024838 | PC123X9YFZ | 1 |
| U503 | 996510032928 | IC TL431A | 1 |
| U505 | 996510032914 | POSITIVE VOLTAGE REGULATORS | 1 |
| ZD501 | 996510007898 | DIODE ZENER 24V 1/2W 5% | 1 |
| ZD502 | 996500015716 | DIODE ZENER 33V 1/2W 5% | 1 |
| ZD503 | 996510007898 | DIODE ZENER 24V 1/2W 5% | 1 |
| ZD504 | 996510032942 | DIODE ZENER BZX79-C11 11V _i ±5% | 1 |

MECHANICAL PARTLIST

| No | 12NC No. | Description | Q'ty |
|---------|--------------|--------------------------------|------|
| 14 | 996510034423 | BACK PLATE | 1 |
| 18 | 996510031557 | TOP COVER | 1 |
| 9 | 996510031272 | BOTTOM PLATE | 1 |
| ASSY2 | 996510031558 | ASSY FRONT DOOR | 1 |
| AVCABLE | 996500020384 | AUDIO/VIDEO CABLE 1 | 1 |
| Assy1 | 996510031573 | ASSY FRONT PANEL | 1 |
| CN504 | 996510000546 | 8PIN HS | 1 |
| J300 | 996510018621 | HDMI Cable | 1 |
| JP1 | 996510025834 | CABLE 5P 130MM FH-JC20 | 1 |
| JP2 | 996510032945 | 8PIN LINE | 1 |
| JP3 | 996510031263 | FLAT WIRE 3P L200 PH-3Y/SAN-3P | 1 |
| JP4 | 996510032946 | 4PIN CABLE | 1 |
| △ PC | 996510034418 | POWER CORD | 1 |
| RC | 996510041223 | REMOTE CONTROL | 1 |
| XP3 | 996510031379 | 8PIN WIRE PH1.0MM L100MM B | 1 |

Screws List

| No | 12NC No. | Description | Q'ty |
|----|----------|----------------------------|------|
| 8 | — | S/T SCREW B 2.6 X 6 BF | 6 |
| 10 | — | TRIANGLE M/C SCREW B 3 X 6 | 6 |
| 12 | — | S/T SCREW B 3 X 8 BF | 4 |
| 13 | — | M/C SCREW 3 X 6 B | 1 |
| 16 | — | S/T SCREW B3 X 6 BF | 7 |
| 17 | — | S/T SCREW B3 X 6 BF | 2 |
| 19 | — | S/T SCREW B 3 X 7 BF | 4 |

BDP3080/98 SERVICE PARTLIST

ELECTRICAL PARTLIST

| No | 12NC NO. | Description | Qty |
|------|--------------|------------------|-----|
| 14 | 996510034416 | ASSY-MAIN BOARD | 1 |
| 20 | 996510031267 | ASSY-SW BOARD | 1 |
| 5 | 996510031273 | ASSY-FE BOARD | 1 |
| △ 10 | 996510031266 | ASSY-PW BD | 1 |
| 19 | 996510034417 | ASA BOARD P021-C | 1 |
| OPU | 996510031268 | OPU | 1 |

ASSY-MAIN BD COMPONENT PARTLIST

| NO | 12NC NO. | Description | Qty |
|------|--------------|------------------------------|-----|
| D300 | 996510026638 | 4-CHANNEL ESD SOLUTION | 1 |
| D301 | 996510026638 | 4-CHANNEL ESD SOLUTION | 1 |
| D5 | 996510020926 | IC PDS5V0S1BA | 1 |
| D6 | 996510020926 | IC PDS5V0S1BA | 1 |
| D7 | 996510020926 | IC PDS5V0S1BA | 1 |
| D8 | 996510020926 | IC PDS5V0S1BA | 1 |
| FU5 | 996510032919 | SPINDLE MOTOR & ACTUATOR | 1 |
| FU6 | 996510032911 | IC CW1117 | 1 |
| TVS3 | 996510026617 | IC PGB1010603 | 1 |
| TVS4 | 996510026617 | IC PGB1010603 | 1 |
| U100 | 996510032915 | BD DECODE IC MT8530 | 1 |
| U101 | 996510032917 | 64X16MB DDR2 SDRAM | 1 |
| U102 | 996510032917 | 64X16MB DDR2 SDRAM | 1 |
| U103 | 996510032912 | REGULATOR G2992B | 1 |
| U2 | 996510032951 | IC AZ1117 LDO 3.3V-1.2V | 1 |
| U201 | 996510032918 | IC NY512M DDR2 1066MHZ | 1 |
| U202 | 996510032918 | IC NY512M DDR2 1066MHZ | 1 |
| U351 | 996510034415 | IC 2GB NAND FLASH BDP3080/98 | 1 |
| U352 | 996510032943 | IC TPS652 PWR MANAGEMENT | 1 |
| U4 | 996510031778 | IC 3.3V | 1 |
| U5 | 996510026642 | IC G691L2 | 1 |
| U6 | 996510010924 | Dual operational amplifier | 1 |
| U701 | 996510032913 | IC SMSC8710 HSSOP | 1 |
| U703 | 996510032929 | MOTOR DRIVER IC TP1391 | 1 |
| U914 | 996510026625 | IC 78L050 | 1 |
| U915 | 996510026652 | IC 4385DA DAC | 1 |

ASSY-FE BD COMPONENT PARTLIST

| NO | 12NC NO. | Description | Qty |
|------|--------------|--------------------------------|-----|
| IR1 | 996510026624 | IR RECEIVER MODULE2.7-5.5V12mm | 1 |
| U4 | 996500026619 | VFD DRIVER IC CS16312EN | 1 |
| VFD3 | 996510026633 | VFD DISPLAY | 1 |

ASSY-PW BD COMPONENT PARTLIST

| NO | 12NC NO. | Description | Qty |
|--------|--------------|--|-----|
| D501 | 996510011047 | DIODE IN4007 | 1 |
| D502 | 996510013568 | DIODE FR107 | 1 |
| D503 | 996500025702 | DIODE SR3100 | 1 |
| D504 | 996510013568 | DIODE FR107 | 1 |
| D505 | 996510009725 | DIODE 2A1000V | 1 |
| D506 | 996510009725 | DIODE 2A1000V | 1 |
| D507 | 996510009725 | DIODE 2A1000V | 1 |
| D508 | 996510009725 | DIODE 2A1000V | 1 |
| D509 | 996500027866 | DIODE SR360 3A/60V | 1 |
| D510 | 996500027866 | DIODE SR360 3A/60V | 1 |
| D511 | 996510002996 | DIODE 1N4148 (SWITCHING) | 1 |
| L6 | 996510032944 | COIL 3.3UH 6*8MM | 1 |
| LF501 | 996510026639 | COMMON INDUCTANCE | 1 |
| △ T501 | 996510030215 | TRANSFORMER (BCK-03EF25) | 1 |
| U501 | 996510030211 | PWM IC NCP1271B | 1 |
| U502 | 996500024838 | PC123X9YFZ | 1 |
| U503 | 996510032928 | IC TL431A | 1 |
| U505 | 996510032914 | POSITIVE VOLTAGE REGULATORS | 1 |
| ZD501 | 996510007898 | DIODE ZENER 24V 1/2W 5% | 1 |
| ZD502 | 996500015716 | DIODE ZENER 33V 1/2W 5% | 1 |
| ZD503 | 996510007898 | DIODE ZENER 24V 1/2W 5% | 1 |
| ZD504 | 996510032942 | DIODE ZENER BZX79-C11 11V _i ±5% | 1 |

MECHANICAL PARTLIST

| No | 12NC No. | Description | Qty |
|-----------|--------------|--------------------------------|-----|
| 13 | 996510032953 | BACK PLATE | 1 |
| 17 | 996510031271 | TOP COVER | 1 |
| 8 | 996510031272 | BOTTOM PLATE | 1 |
| ASSY1 | 996510031265 | ASSY-FRONT PANEL | 1 |
| △ AVCABLE | 996500020384 | AUDIO/VIDEO CABLE 1 | 1 |
| CN504 | 996510000546 | 8PIN HS | 1 |
| JP1 | 996510025834 | CABLE 5P 130MM FH-JC20 | 1 |
| JP2 | 996510032945 | 8PIN LINE | 1 |
| JP3 | 996510031263 | FLAT WIRE 3P L200 PH-3Y/SAN-3P | 1 |
| JP4 | 996510032946 | 4PIN CABLE | 1 |
| △ PC | 996510034418 | POWER CORD | 1 |
| RC | 996510041223 | REMOTE CONTROL | 1 |
| XP3 | 996510031379 | 8PIN WIRE PH1.0MM L100MM B | 1 |

Screws List

| No | 12NC No. | Description | Qty |
|----|----------|----------------------------|-----|
| 8 | — | S/T SCREW B 2.6 X 6 BF | 6 |
| 10 | — | TRIANGLE M/C SCREW B 3 X 6 | 6 |
| 12 | — | S/T SCREW B 3 X 8 BF | 4 |
| 13 | — | M/C SCREW 3 X 6 B | 1 |
| 16 | — | S/T SCREW B3 X 6 BF | 7 |
| 17 | — | S/T SCREW B3 X 6 BF | 2 |
| 19 | — | S/T SCREW B 3 X 7 BF | 4 |

BDP5100/05 SERVICE PARTLIST

ELECTRICAL PARTLIST

| No | 12NC No. | Description | Q'ty |
|------|--------------|-----------------|------|
| 15 | 996510036394 | ASSY-MAIN BOARD | 1 |
| 21 | 996510031267 | ASSY-SW BOARD | 1 |
| 6 | 996510031273 | ASSY-FE BOARD | 1 |
| △ 11 | 996510031266 | ASSY-PW BD | 1 |
| 20 | 996510034417 | ASA BOARD | 1 |

ASSY-MAIN BD COMPONENT PARTLIST

| NO | 12NC NO. | Description | Q'ty |
|------|--------------|----------------------------|------|
| D300 | 996510026638 | 4-CHANNEL ESD SOLUTION | 1 |
| D301 | 996510026638 | 4-CHANNEL ESD SOLUTION | 1 |
| D5 | 996510020926 | IC PESD5V0S1BA | 1 |
| D6 | 996510020926 | IC PESD5V0S1BA | 1 |
| D7 | 996510020926 | IC PESD5V0S1BA | 1 |
| D8 | 996510020926 | IC PESD5V0S1BA | 1 |
| FU5 | 996510032919 | SPINDLE MOTOR & ACTUATOR | 1 |
| FU6 | 996510032911 | IC CW1117 | 1 |
| TVS3 | 996510026617 | IC PGB1010603 | 1 |
| TVS4 | 996510026617 | IC PGB1010603 | 1 |
| U100 | 996510034419 | IC MT8530 BD DECODE | 1 |
| U101 | 996510032917 | 64X16MB DDR2 SDRAM | 1 |
| U102 | 996510032917 | 64X16MB DDR2 SDRAM | 1 |
| U103 | 996510032912 | REGULATOR G2992B | 1 |
| U2 | 996510032951 | IC AZ1117 LDO 3.3V-1.2V | 1 |
| U201 | 996510032918 | IC NY512M DDR2 1066MHZ | 1 |
| U202 | 996510032918 | IC NY512M DDR2 1066MHZ | 1 |
| U351 | 996510032916 | 2GB NAND FLASH | 1 |
| U352 | 996510032943 | IC TPS652 PWR MANAGEMENT | 1 |
| U4 | 996510031778 | IC 3.3V | 1 |
| U5 | 996510026642 | IC G691L2 | 1 |
| U6 | 996510010924 | Dual operational amplifier | 1 |
| U701 | 996510032913 | IC SMSC8710 HSSOP | 1 |
| U703 | 996510032929 | MOTOR DRIVER IC TP1391 | 1 |
| U914 | 996510026625 | IC 78L050 | 1 |
| U915 | 996510026652 | IC 4385DA DAC | 1 |

ASSY-FE BD COMPONENT PARTLIST

| NO | 12NC NO. | Description | Q'ty |
|------|--------------|--------------------------------|------|
| IR1 | 996510026624 | IR RECEIVER MODULE2.7-5.5V12mm | 1 |
| U4 | 996500026619 | VFD DRIVER IC CS16312EN | 1 |
| VFD3 | 996510026633 | VFD DISPLAY | 1 |

ASSY-PW BD COMPONENT PARTLIST

| NO | 12NC NO. | Description | Q'ty |
|--------|--------------|---|------|
| D501 | 996510011047 | DIODE IN4007 | 1 |
| D502 | 996510013568 | DIODE FR107 | 1 |
| D503 | 996500025702 | DIODE SR3100 | 1 |
| D504 | 996510013568 | DIODE FR107 | 1 |
| D505 | 996510009725 | DIODE 2A1000V | 1 |
| D506 | 996510009725 | DIODE 2A1000V | 1 |
| D507 | 996510009725 | DIODE 2A1000V | 1 |
| D508 | 996510009725 | DIODE 2A1000V | 1 |
| D509 | 996500027866 | DIODE SR360 3A/60V | 1 |
| D510 | 996500027866 | DIODE SR360 3A/60V | 1 |
| D511 | 996510002996 | DIODE 1N4148 (SWITCHING) | 1 |
| L6 | 996510032944 | COIL 3.3UH 6*8MM | 1 |
| LF501 | 996510026639 | COMMON INDUCTANCE | 1 |
| △ T501 | 996510030215 | TRANSFORMER (BCK-03EF25) | 1 |
| U501 | 996510030211 | PWM IC NCP1271B | 1 |
| U502 | 996500024838 | PC123X9YFZ | 1 |
| U503 | 996510032928 | IC TL431A | 1 |
| U505 | 996510032914 | POSITIVE VOLTAGE REGULATORS | 1 |
| ZD501 | 996510007898 | DIODE ZENER 24V 1/2W 5% | 1 |
| ZD502 | 996500015716 | DIODE ZENER 33V 1/2W 5% | 1 |
| ZD503 | 996510007898 | DIODE ZENER 24V 1/2W 5% | 1 |
| ZD504 | 996510032942 | DIODE ZENER BZX79-C11 11V _J 5% | 1 |


MECHANICAL PARTLIST

| No | 12NC No. | Description | Q'ty |
|-------|--------------|--------------------------------|------|
| 14 | 996510031556 | BACK PLATE | 1 |
| 18 | 996510031557 | TOP COVER | 1 |
| 9 | 996510031272 | BOTTOM PLATE | 1 |
| ASSY2 | 996510031558 | ASSY FRONT DOOR | 1 |
| AVCBL | 996500020384 | AUDIO/VIDEO CABLE 1 | 1 |
| Assy1 | 996510031573 | ASSY FRONT PANEL | 1 |
| CN504 | 996510000546 | 8PIN HS | 1 |
| △ JP1 | 996510025834 | HDMI Cable | 1 |
| JP2 | 996510032945 | CABLE 5P 130MM FH-JC20 | 1 |
| JP3 | 996510031263 | 8PIN LINE | 1 |
| JP4 | 996510032946 | FLAT WIRE 3P L200 PH-3Y/SAN-3P | 1 |
| PCORD | 996510036395 | POWER CORD | 1 |
| △ RC | 996510041223 | REMOTE CONTROL | 1 |
| XP3 | 996510031379 | 8PIN WIRE PH1.0MM L100MM B | 1 |

Screws List

| No | 12NC No. | Description | Q'ty |
|----|----------|----------------------------|------|
| 8 | — | S/T SCREW B 2.6 X 6 BF | 6 |
| 10 | — | TRIANGLE M/C SCREW B 3 X 6 | 6 |
| 12 | — | S/T SCREW B 3 X 8 BF | 4 |
| 13 | — | M/C SCREW 3 X 6 B | 1 |
| 16 | — | S/T SCREW B3 X 6 BF | 7 |
| 17 | — | S/T SCREW B3 X 6 BF | 2 |
| 19 | — | S/T SCREW B 3 X 7 BF | 4 |

PARTS LIST: BDP5100/51

| No. | 12NC No. | Description | Q'ty |
|--|--------------|--------------------------------|------|
|  11 | 996510031266 | ASSY-POWER BOARD | 1 |
| 14 | 996510037139 | BACK PLATE | 1 |
| 15 | 996510037141 | ASSY-MAIN BOARD /51 | 1 |
| 18 | 996510037134 | TOP COVER | 1 |
| 20 | 996510034417 | BLU-RAY OPU | 1 |
| 21 | 996510031267 | ASSY-SWITCH BOARD | 1 |
| 6 | 996510031273 | ASSY-FE BD | 1 |
| 9 | 996510031272 | BOTTOM PLATE | 1 |
| ASSY2 | 996510031558 | ASSY FRONT DOOR | 1 |
| AVCABLE | 996500020384 | AUDIO/VIDEO CABLE 1.5M | 1 |
| Assy1 | 996510031573 | ASSY FRONT PANEL | 1 |
| CN504 | 996510000546 | 8PIN HS | 1 |
| JP1 | 996510025834 | CABLE 5P 130MM FH-JC20 | 1 |
| JP2 | 996510032945 | CABLE 9PIN 140MM FH-JC20 | 1 |
| JP3 | 996510031263 | FLAT WIRE 3P L200 PH-3Y/SAN-3P | 1 |
| JP4 | 996510032946 | 4PIN CABLE L200MM | 1 |
| AC | 996510036469 | EU DETACHABLE POWER CORD 1.5M | 1 |
| RC | 996510041223 | REMOTE CONTROL | 1 |
| XP3 | 996510031379 | 8PIN WIRE PH1.0MM L100MM B | 1 |

Screws List

| No | 12NC No. | Description | Q'ty |
|-------|----------|------------------------|------|
| 7 | — | S/T SCREW B 2.6 X 6 BF | 7 |
| 9 | — | S/T SCREW | 6 |
| 11/16 | — | S/T SCREW B 3 X 8 BF | 3/2 |
| 12 | — | M/C SCREW 3 X 6 B | 1 |
| 15 | — | S/T SCREW B3 X 6 BF | 9 |
| 18 | — | S/T SCREW B 3 X 7 BF | 4 |

SAFETY PRECAUTION

The parts identified by  mark are critical for safety. Replace only with part number specified.

The mounting position of replacement is to be identical with originals. The substitute replacement parts which do not have the same safety characteristics as specified in the parts list may create shock, fire or other hazards.

REVISION LIST

Version 1.0

* Initial release for BDP3100/12, BDP3100/05 & BDP3100/51

Version 1.1

* BDP5100/12 added.

Version 1.2

* Added BDP3100/55,3100/93,3100/98,3100X/78

Version 1.3

* Added BDP3080/98

Version 1.4

* Added BDP5100/05 & /51

Version 1.5

* Page 7-3 Partslist updated.

Change:

14 996510031443 MAIN BOARD ASS'Y (WAS 996510031262)