

Service
Service
Service



Philips Consumer Lifestyle

Service Manual

PRODUCT INFORMATION

Fast & powerful crease removal

- Soleplate: SteamGlide
- OptimalTemp
- Continuous steam output
- Continuous steam output: 120 g/min
- Vertical steam
- Steam pressure: Up to 5 bar
- Steam tip
- Power: 2400 W

Easy to use

- Water tank capacity: 2200 ml
- Filling and emptying water: Extra large filling hole
- Refill any time
- Heat-up time: 2 min
- Hose storage: Hose storage compartment
- Power cord length: 1.8 m
- Hose length: 1.6 m
- Safe for all fabrics: Even for delicates like silks
- Low water alarm

Calc management

- Suitable for tap water
- Calc clean solution: Easy De-calc
- Calc clean reminder

Safety Information

- This product meets the requirements regarding interference suppression on radio and TV.
- After the product has been repaired, it should function properly and has to meet the safety requirements and legal regulations as officially laid down at this moment.

Voltage	: 220 - 240 V
Frequency	: 50 - 60 Hz
Power	: 2400 W
Dimension (F-box)	: 362 (D) x 270 (W) x 263 (H) mm
Weight of iron	: 1 kg
Weight of iron + base	: 4.5 kg

Water advice

Suitable for tap water use. Advice to mix with equal portion of distilled water or use only distilled water if the tap water is very hard.

Soleplate: Steam Glide

New SteamGlide soleplate is the best Philips soleplate. It has great scratch resistancy, glides excellent and is easy to clean.

OptimalTemp Technology

- Always deliver 1 perfect setting for all your clothes thanks to:
 1. Cylonic steam chamber
 2. Advance Smart control processor
- 100% easy to use, no adjustment required.
- 100% safe on all delicate fabrics.
- 100% fast on the toughest fabrics.

Tested and approved by experts

Tested and approved by independent textile experts institutes.

Steam pressure: Up to 5 bar

Double your ironing speed with pressurized steam.

2.2L fully visible water tank

Large water tank ensures long hours of ironing without refill of water tank.

Easy De-Calc

Easy De-Calc, hassle free & effective scale removal to extend the life of your steam generator.

- LIGHT STRIP CAP ASSY 1
- INLAY AND LIGHT STRIP ASSY 2
- REFLECTOR MOLDED 3
- LED MICROSWITCH HOLDER ASSY 4
- TRIGGER SPRING 5
- TRIGGER MOLDED 6
- MICA PLATE 7
- PLASTIC WASHER (1x) 8 (FRONT)
- DECORATION CAP PRINTED 9

Remove **Screw A**
 Disassemble **LIGHT STRIP 1**

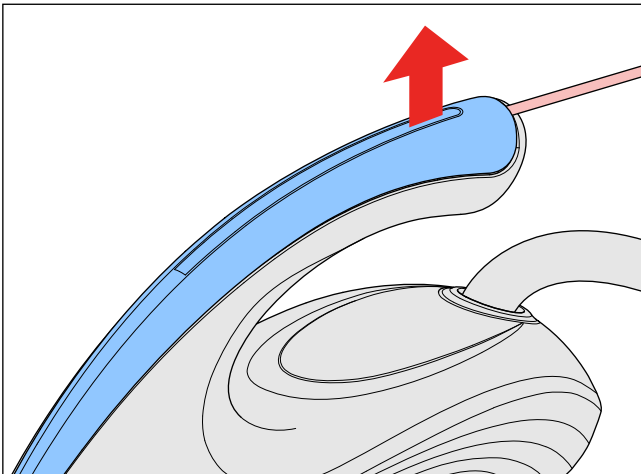


Fig 1. Using “-” screw driver to lift up the Inlay and release the catch at the end of the handle.

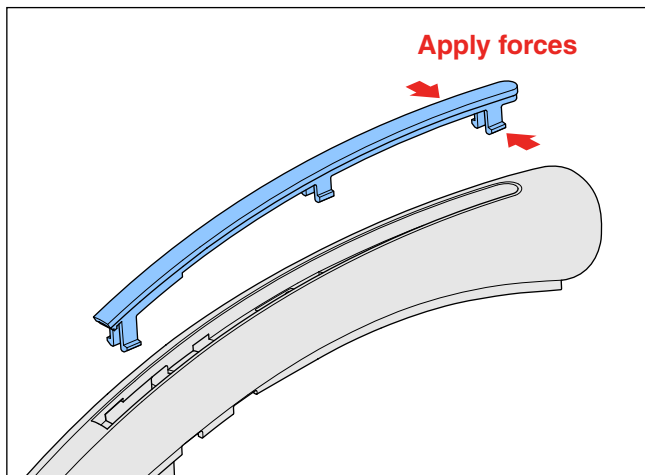


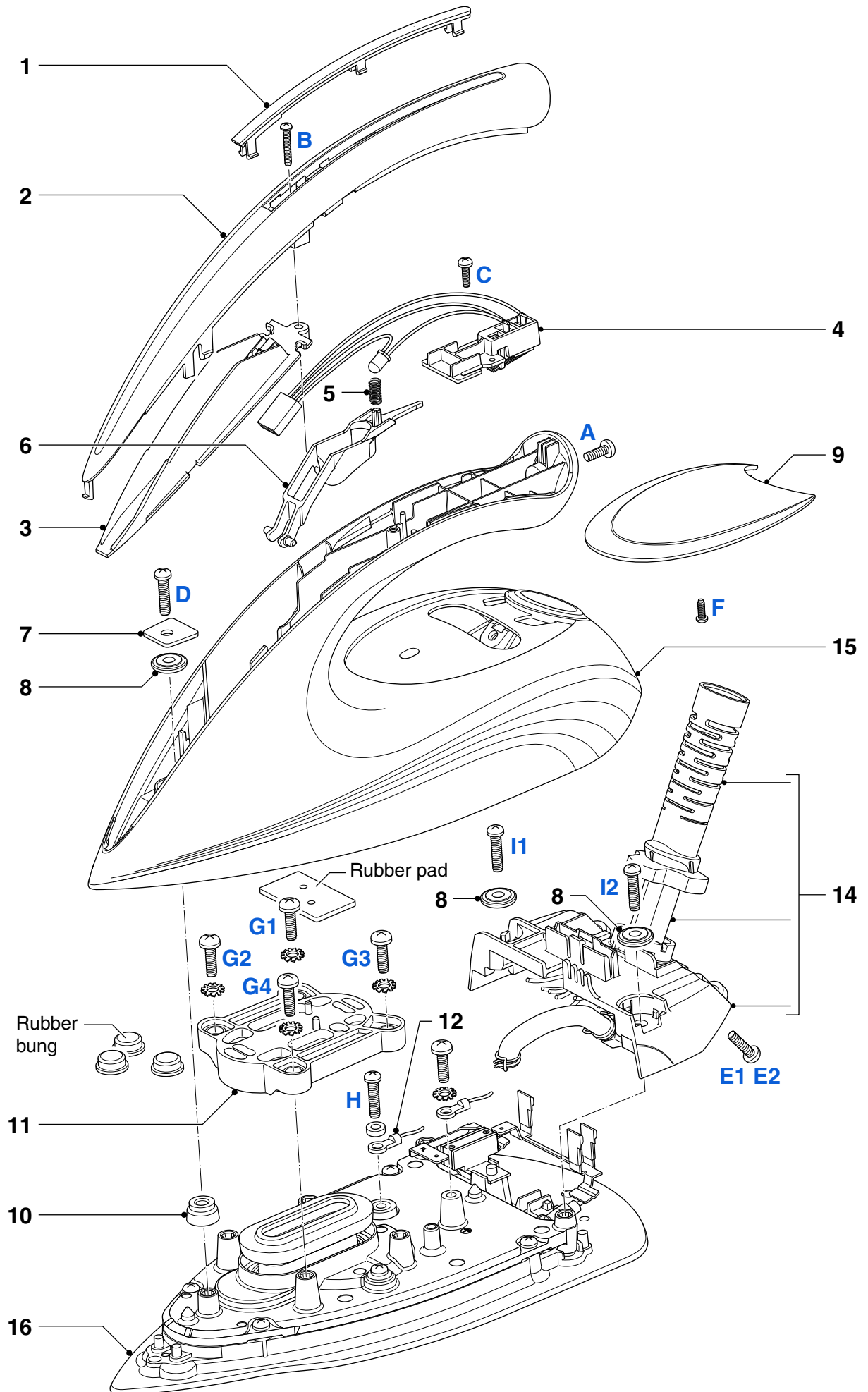
Fig 2. Position of the catch to be applied forces at the end of the handle.

Remove **Screw B**
 Disassemble **INLAY AND LIGHT STRIP ASSY 2**
 Disassemble **REFLECTOR MOLDED 3**
 Remove **Screw C**
 Disassemble **LED MICROSWITCH HOLDER ASSY 4**
 Disassemble **TRIGGER SPRING 5**
 Disassemble **TRIGGER MOLDED 6**
 Remove **Screw D**
 Disassemble **MICA PLATE 7**
 Disassemble **PLASTIC WASHER (1x) 8**
 Remove **Screw E1, E2**
 Remove **Screw F**
 Disassemble **DECORATION CAP PRINTED 9**

- RYTON RING 10
- DEVIATOR HOUSING MOLDED 11
- IRON THERMISTOR ASSY 12
- PLSTIC WASHER (2x) 8 (REAR)
- HOSE CORD MOUNTED ASSY 14
- HOUSING PRINTED 15
- SOLEPLATE MOUNTED ASSY 16

Remove **Screw A**
 Disassemble **LIGHT STRIP 1**
 Remove **Screw B**
 Disassemble **INLAY AND LIGHT STRIP ASSY 2**
 Disassemble **REFLECTOR MOLDED 3**
 Remove **Screw C**
 Remove **Screw E1, E2**
 Remove **Screw D**
 Disassemble **MICA PLATE 7**
 Disassemble **PLASTIC WASHER (1x) 8**
 Disassemble **RYTON RING 10**
 Remove **Screw G1, G2, G3, G4**
 Disassemble **DEVIATOR HOUSING MOLDED 11**
 Remove **Screw H**
 Disassemble **IRON THERMISTOR ASSY 12**
 Remove **Screw I1, I2**
 Disassemble **PLASTIC WASHER (2x) 8**
 Disconnect **Wires**
 Release **Hose clip (2x)**
 Remove **Screw J**
 Disconnect **Wires**
 Disassemble **HOSE CORD MOUNTED ASSY 14**
 Disassemble **HOUSING PRINTED 15**
 Disassemble **SOLEPLATE MOUNTED ASSY 16**

Pos	Service code	Description
1	4239 021 70734	Light strip cap assy
2	4239 021 70723	Inlay and light strip assy
3	4239 026 49561	Reflector molded
4	4239 021 71942	LED microswitch holder assy
5	4239 014 54961	Trigger spring
6	4239 026 49752	Trigger molded
7	4239 010 12911	Mica plate
8	4239 026 49501	Plastic washer
9	4239 021 70741	Decoration cap printed
10	4239 015 70153	Ryton ring
11	4239 026 49491	Deviator housing molded
12	4239 021 69942	Iron thermistor assy
14	4239 021 70703	Hose cord mounted assy
15	4239 021 70692	Housing printed
16	4239 021 70651	Soleplate mounted assy



- FILLING DOOR MOLDED 17**
- TRAY RUBBER CAP 19**
- TRAY CAP MOLDED 20**
- TRAY PRINTED 21**
- WATER TANK ASSY 23**

- Disassemble **FILLING DOOR MOLDED 17**
- Remove **TRAY RUBBER CAP 19 (4x)**
- Remove **Screw K1, K2, K3, K4**
- Remove **TRAY CAP MOLDED 20 (2x)**
- Remove **Screw L1, L2**
- Disassemble **TRAY PRINTED 21**
- Remove **Screw N1, N2, N3, N4, N5**
- Disassemble **WATER TANK ASSY 23**

- RINSE CAP ASSY 24**
- SAFETY CAP 25**
- INOX CLAMP 26**
- BRAIDED RUBBER HOSE BOILER 27**
- ELECTROVALVE 28**
- SPACER TOP 29**
- RINSE HOUSING CAP PRINTED 30**
- RINSE HOUSING MOLDED 31**
- O-RING 32**
- BOILER ASSY 33**
- BOILER SUPPORT BRACKET 34**
- SPACER BOTTOM 35**
- BOILER THERMISTOR ASSY 36**

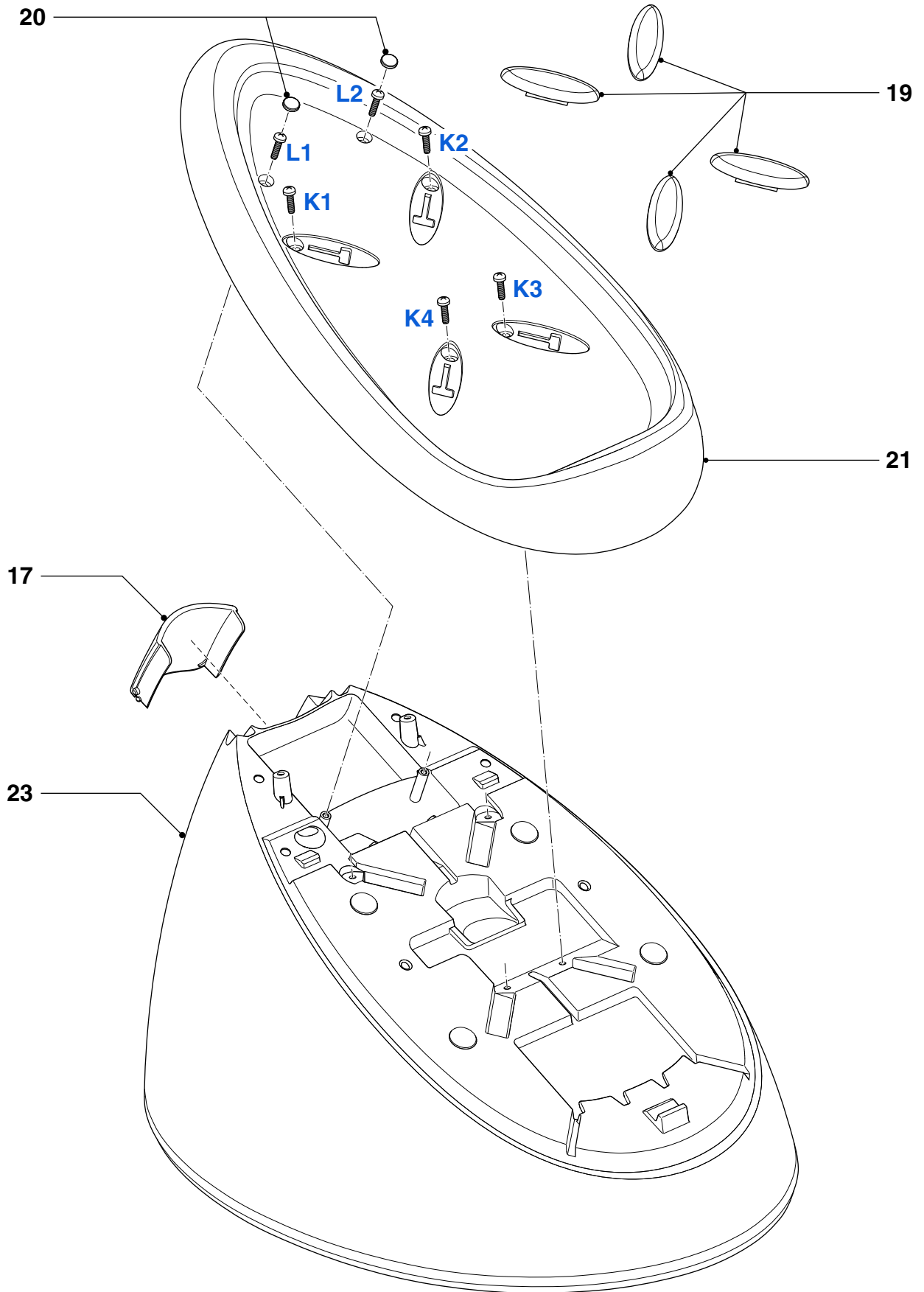
- Disassemble **RINSE CAP ASSY 24**
- Remove **Screw N1, N2, N3, N4, N5**
- Disassemble **WATER TANK ASSY 23**
- Remove **SAFETY CAP 25**
- Release **INOX CLAMP 26 (2x)**
- Disassemble **BRAIDED RUBBER HOSE BOILER 27**
- Release **Hose clip**
- Disconnect **Wires**
- Disassemble **ELECTROVALVE 28**
- Remove **Screw O1, O2**
- Remove **Screw P**
- Remove **SPACER TOP 29**
- Remove **Screw Q**
- Disassemble **RINSE HOUSING CAP PRINTED 30**
- Remove **Screw R**
- Disassemble **RINSE HOUSING MOLDED 31**
- Disassemble **O-RING 32**
- Disassemble **BOILER ASSY 33**
- Disassemble **BOILER SUPPORT BRACKET 34**
- Remove **SPACER BOTTOM 35**
- Disassemble **BOILER THERMISTOR ASSY 36**

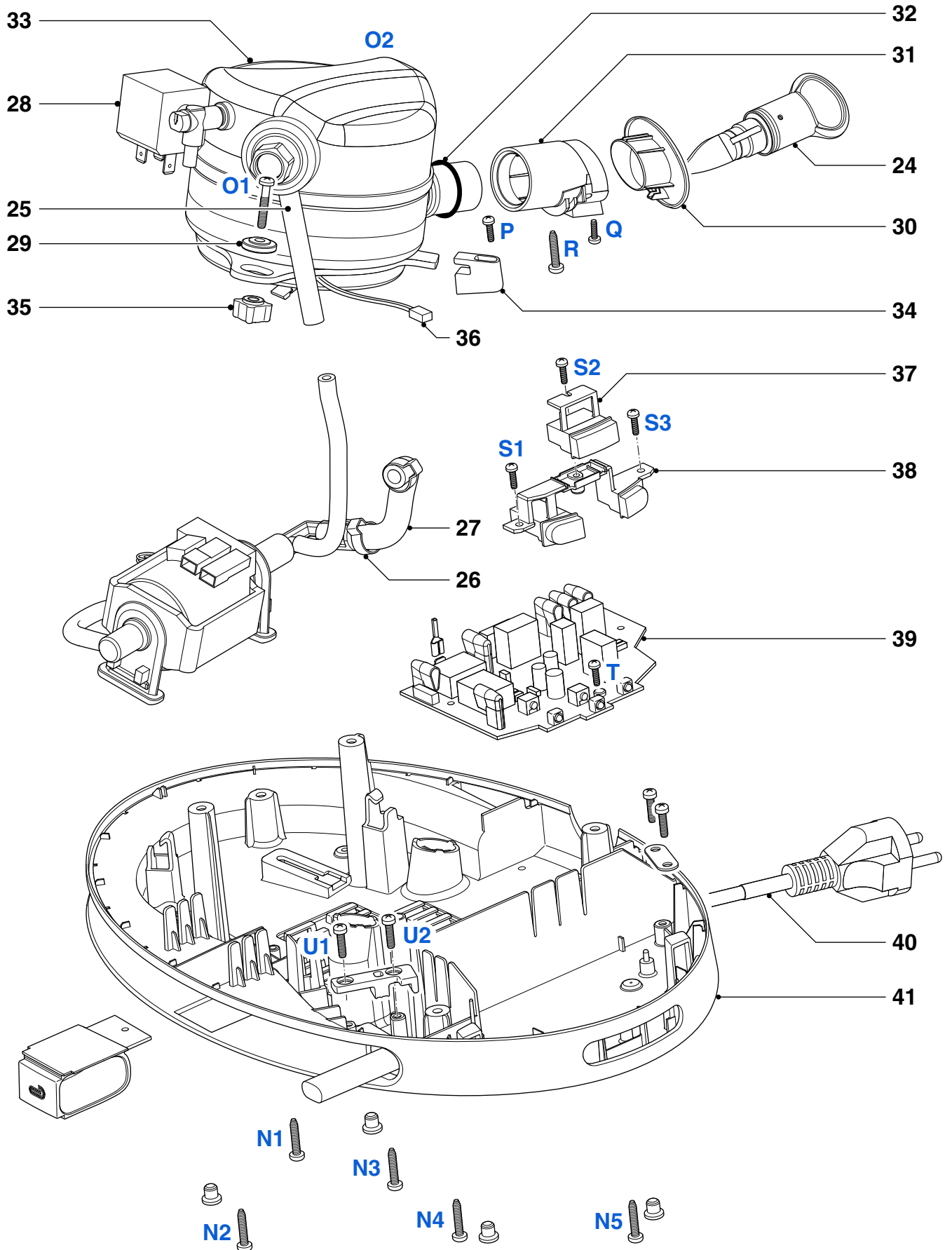
- POWER BUTTON PRINTED 37**
- BUTTON FRAME PRINTED 38**
- POWER BOARD PCB-PUMP SERVICE KIT 39**
- POWER CORD EU 40**
- STAND BOTTOM MOLDED 41**

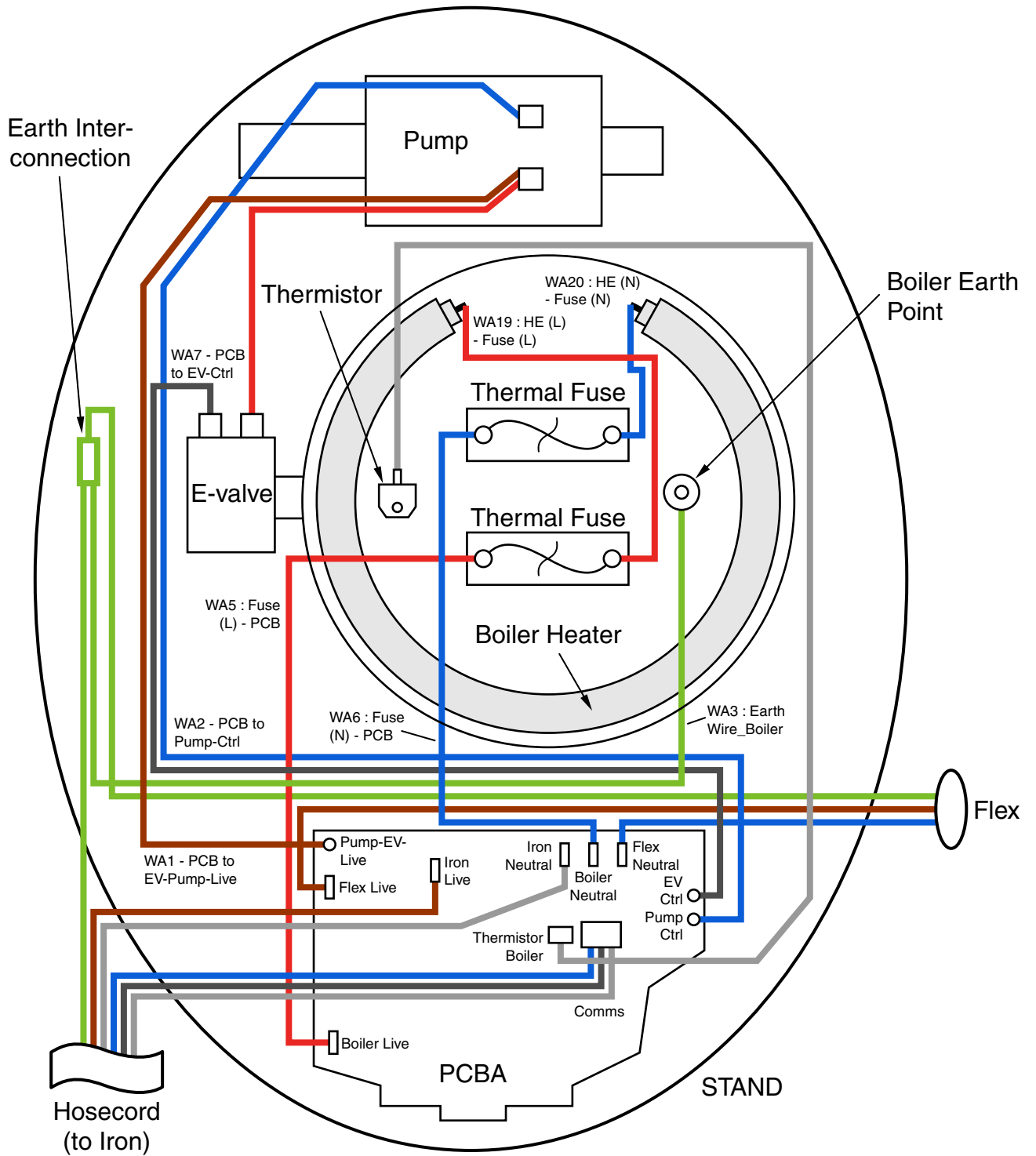
- Remove **Screw N1, N2, N3, N4, N5**
- Disassemble **WATER TANK ASSY 23**
- Remove **Screw S1, S2, S3**
- Disassemble **POWER BUTTON PRINTED 37**
- Disassemble **BUTTON FRAME PRINTED 38**
- Remove **Screw T**
- Release **INOX CLAMP 26 (2x)**
- Disassemble **BRAIDED RUBBER HOSE BOILER 27**
- Disconnect **Wires**
- Disassemble **POWER BOARD PCB-PUMP SERVICE KIT 39**
- Remove **Screw U1, U2**
- Disassemble **Cord clamp**
- Disassemble **POWER CORD EU 40**
- Disassemble **STAND BOTTOM MOLDED 41**

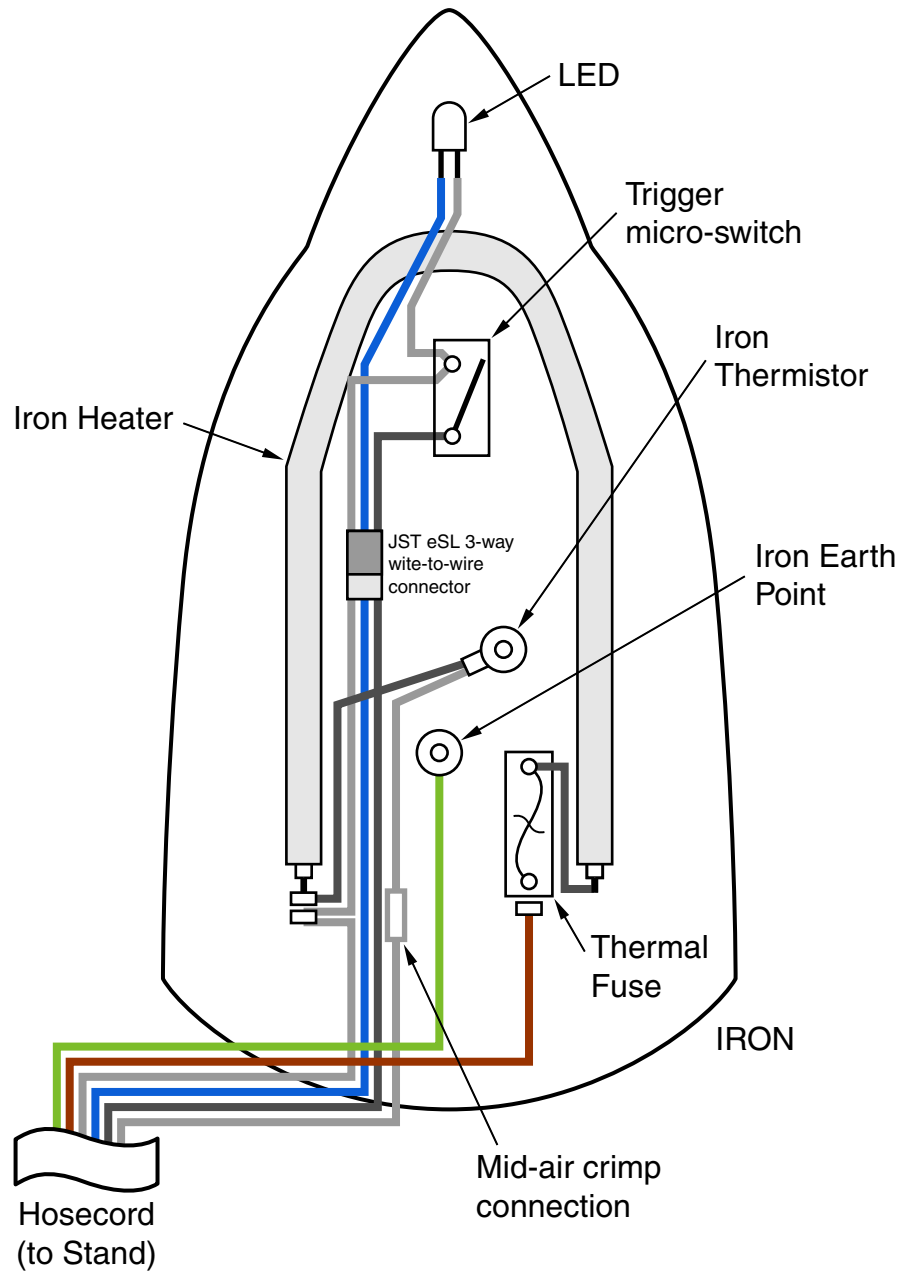
PARTS LIST - STAND

Pos	Service code	Description
17	4239 026 49714	Filling door molded
19	4239 015 59731	Tray rubber cap
20	4239 026 51861	Tray cap molded
21	4239 021 72991	Tray printed
23	4239 021 70812	Water tank assy
24	4239 021 71672	Rinse cap assy
25	4239 015 59791	Safety cap
26	4239 010 10261	Inox clamp
27	4239 015 59771	Braided rubber hose Boiler
28	4239 017 12802	Electrovalve
29	4239 026 51241	Spacer top
30	4239 021 72612	Rinse housing cap printed
31	4239 026 49732	Rinse housing molded
32	4239 015 59751	O-ring
33	4239 021 69891	Boiler assy
34	4239 026 42581	Boiler support bracket
35	4239 026 32181	Spacer bottom
36	4239 021 69951	Boiler thermistor assy
37	4239 021 70773	Power button printed
38	4239 021 70763	Button frame printed
39	4239 022 67101	Power board PCB-Pump service kit
40	2422 070 98399	Power Cord EU
41	4239 026 50432	Stand bottom molded









- Due to the high wattage of the iron, only the specified cord set must be used.
- Should damage be observed on the **HOSE-CORD ASSY 14** or **CORDSET 40**, they must be replaced. Continued usage is not allowed.
- When replacing the **MICROSWITCH ASSY 4**, please dress the 2 attached wires such that they are free of tension. Pulling force on the wires may affect the steam triggering.
- To avoid damage to the sealing & components of the **BOILER ASSY 33**, **NEVER** clean the boiler assy with vinegar, descaling agent or other corrosive chemicals.
- When replacing **ELECTROVALVE 28** or **PUMP ASSY 39**, please be reminded to apply loctite at the joints for good sealing.
- After the product has been repaired, it should function properly and has to meet the safety requirements & legal regulations as laid down & officially established at this moment.
- The following tests are common checks that are conducted on a repaired product before it is returned to the consumer.

1. Soleplate temperature

Check that soleplate temperature is within IEC requirement.

Measure the temperature of the soleplate after the iron has reached steady state i.e connected to the mains for at least 15 minutes. The table below shows the temperature requirement.

Soleplate temperature (Deg C)		Materials, for example	
Minimum	Maximum		
120	143	All fabric types	

2. Leakage current

Check that leakage current is within IEC requirement.

Measure leakage current between LIVE/NEUTRAL & EARTH.

IEC requirement is that at 230V supply, the EARTH leakage current must be less than 0.75 mA.

3. Water leakage / Functionality

Check that there is no water leakage from any part of the product during operation.

Check that the functionality of the product (product dependent) eg. steaming, variable steam, SOS, ASO etc is working properly.

4. Loose part

Check that there are no loose parts eg. extra screw in the product that can cause short-circuit or product malfunction.