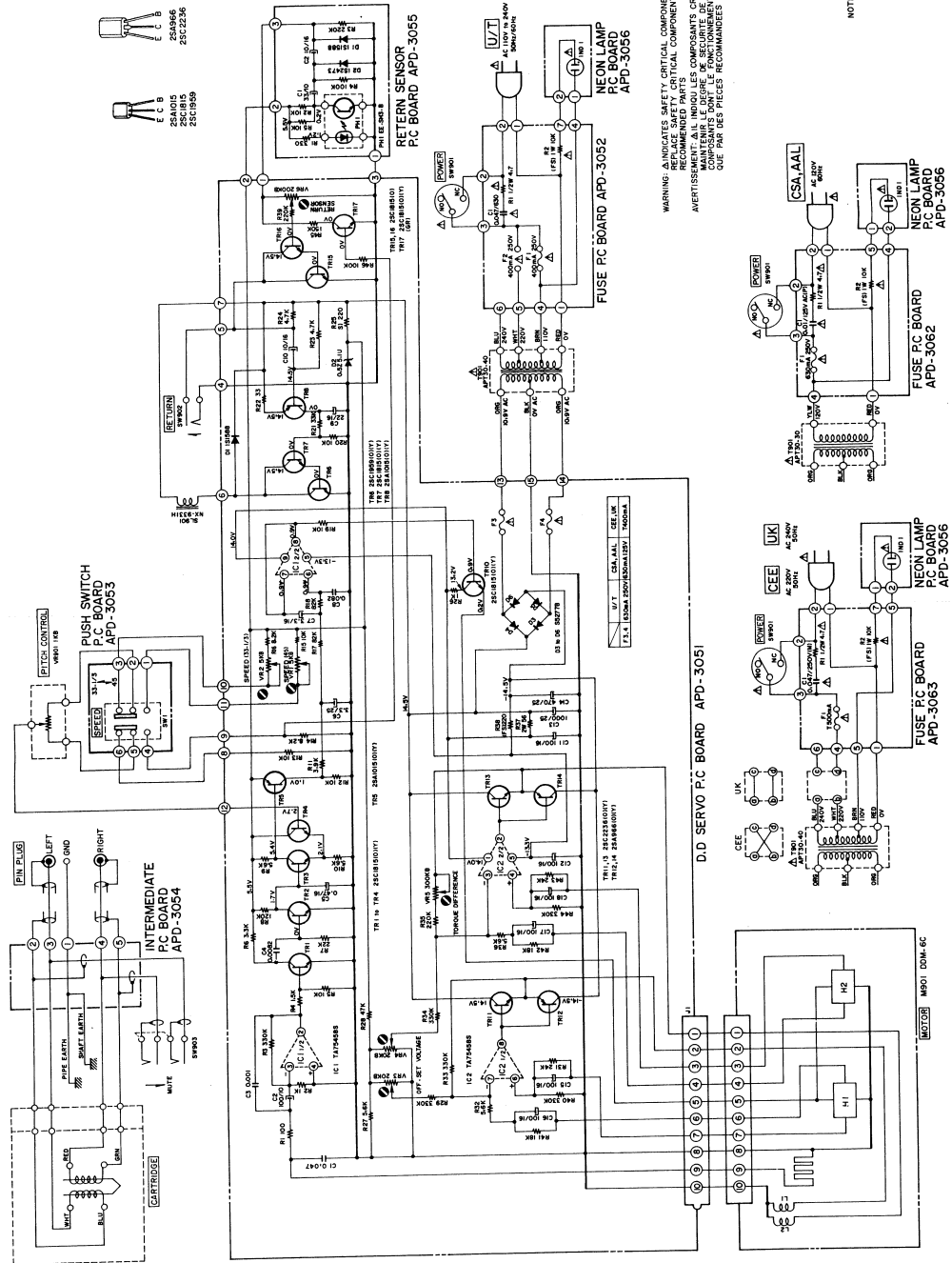


A B C D E F G H J K



WARNING: ANNOTATES SAFETY CRITICAL COMPONENTS FOR CONTINUED SAFETY. REPLACE SAFETY CRITICAL COMPONENTS ONLY WITH MANUFACTURER'S ARTISSTESSEMENT. MAINTENIR LE DREDE DE SECURITE DE L'APPAREIL NE PEUT ETRE ASSUREE QUE PAR DES PIECES RECOMMANDEES PAR LE FABRICANT.

NOTE: UNLESS OTHERWISE SPECIFIED ALL RESISTORS IN OHMS (A/N/W/J) ALL CAPACITORS IN PF (S/M/W/J) POWER TRANSFORMER IS DIFFERENT ACCORDING TO AREA.

AP-D30/C
SCHEMATIC DIAGRAM
NO. 1600422A