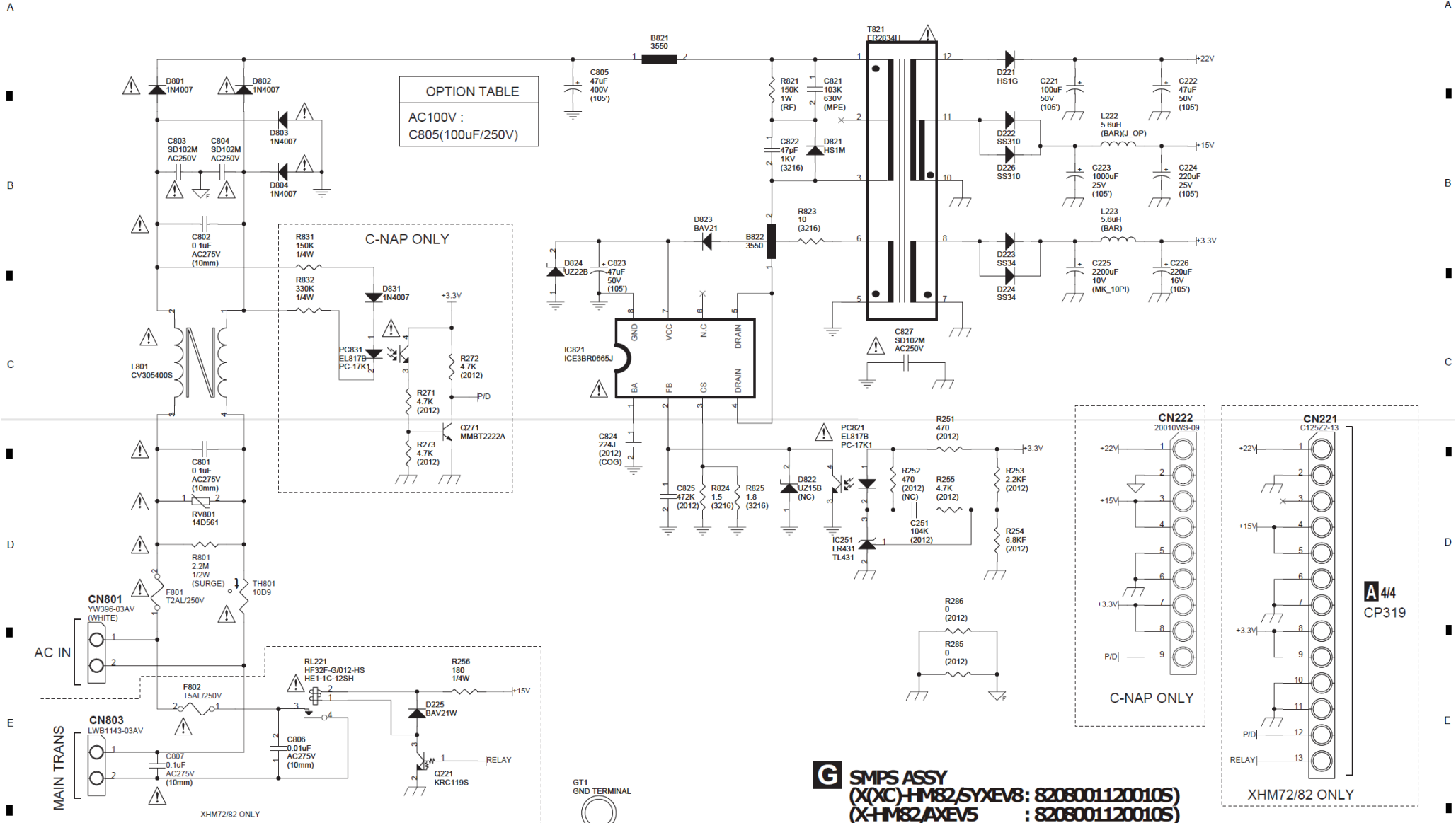


10.10 SMPS ASSY



⚠ INDICATES SAFETY CRITICAL COMPONENTS. TO REDUCE THE RISK OF ELECTRIC SHOCK, LEAKAGE CURRENT OF RESISTANCE MEASUREMENTS SHALL BE CARRIED OUT (EXPOSED PARTS ARE ACCEPTABLY INSULATED FROM THE SUPPLY CIRCUIT) BEFORE THE APPLIANCE RETURNED TO THE CUSTOMER.

- G SMPS ASSY**
- (X)(XC)-HM82/SYXEVS : 8208001120010S
 - (X)-HM82/AXEV5 : 8208001120010S
 - (X)(XC)-HM82D/AXEV8 : 8208001120010S
 - (XC)-HM82/CXEV : 8208001120030S
 - (X)-HM72/SYXEVS : 8208001120010S
 - (X)-HM72D/AXEV8 : 8208001120010S
 - (X)-HM72D/AXEV8 : 8208001120010S

A/4
CP319

XHM72/82 ONLY