

Applicable Country & Regions:

All Regions

Product Service Manual – Level 3

Service Manual for BenQ:

Projector/

MS513P, MX514P MS500H/

MS513PB

MX514PB

<9H.J6H77.14X>

< 9H.J6J77.13X >

< 9H.J7H77.13X >

< 9H.J7F77.13X >

<9H.J7G77.14X>



Version: 00a

Date:2011/11/21

Notice:

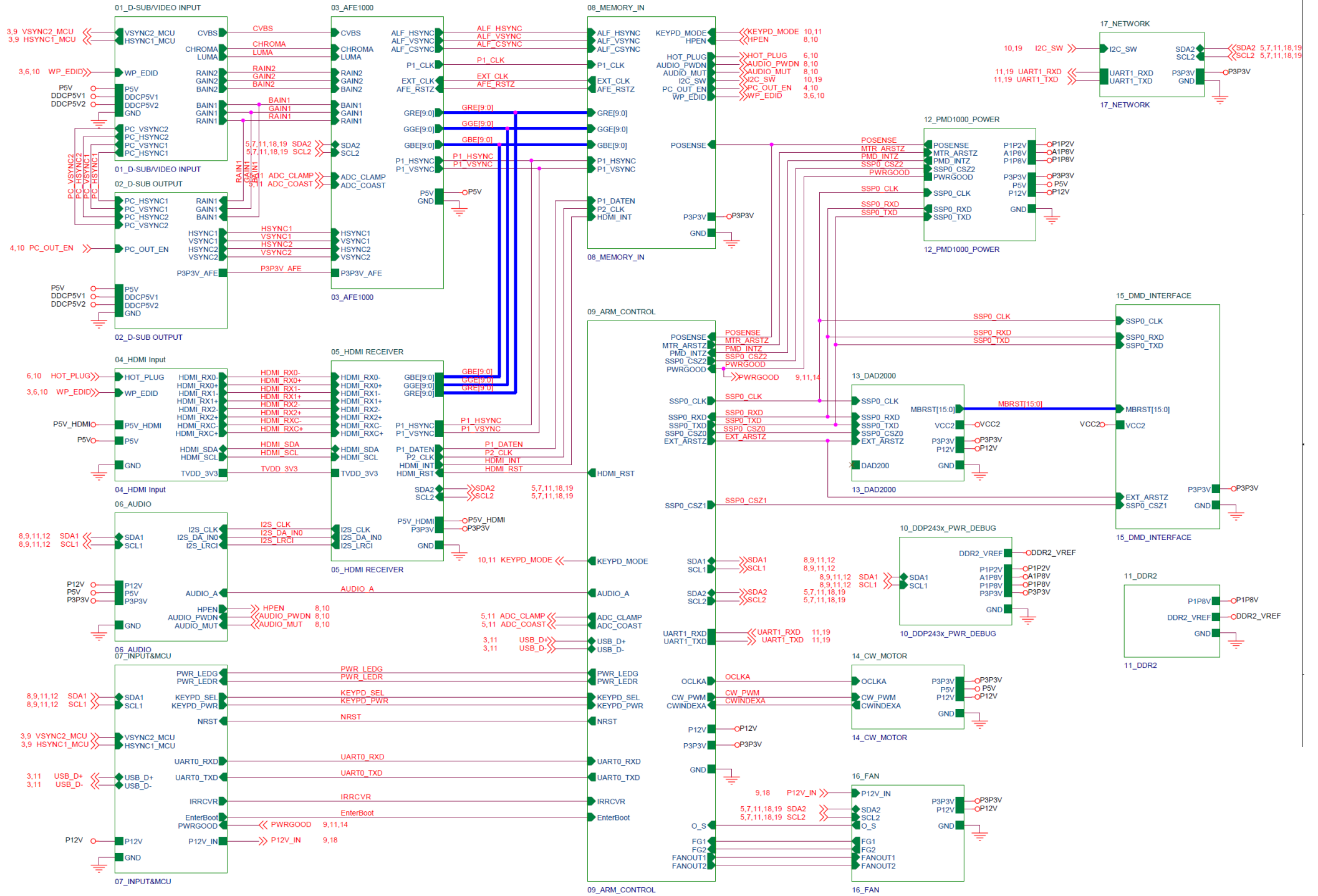
For RO to input specific “Legal Requirement” in specific NS regarding to responsibility and liability statements.

Please check BenQ's eSupport web site, <http://esupport.benq.com>, to ensure that you have the most recent version of this manual.

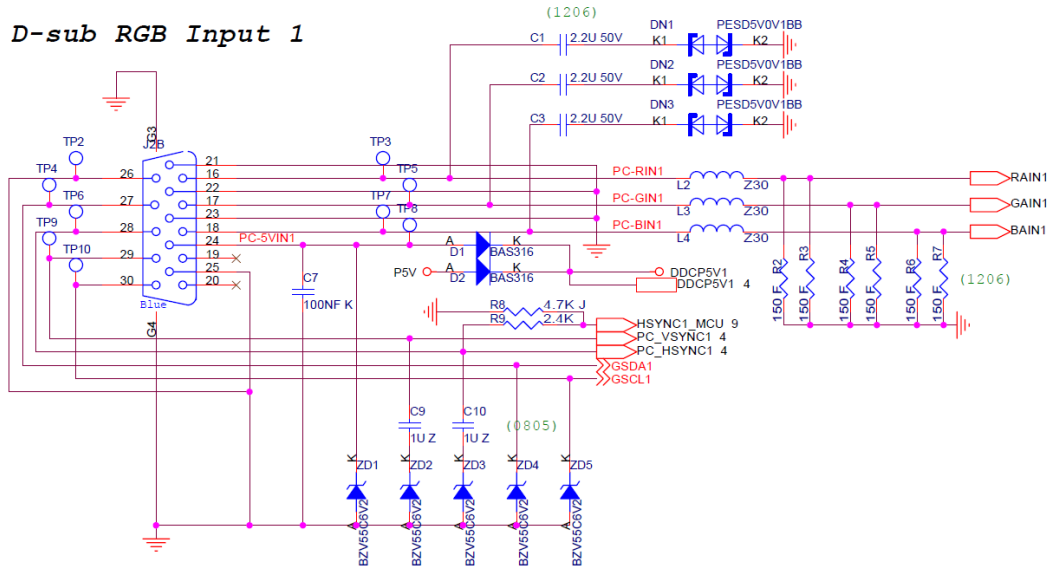
First Edition (Nov 2011)

© Copyright BenQ Corporation 2007. All Right Reserved.

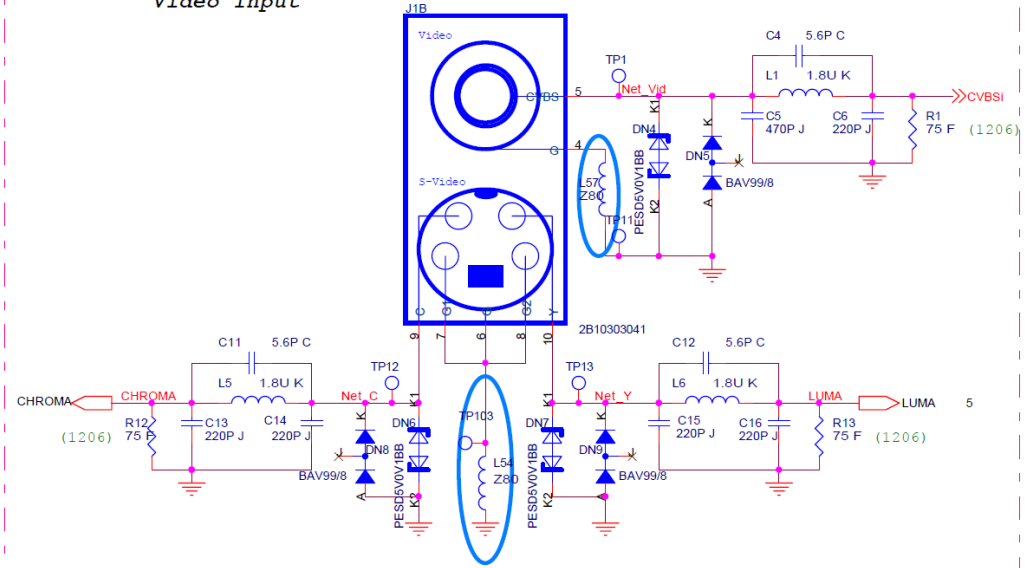
Schematics—Main board:



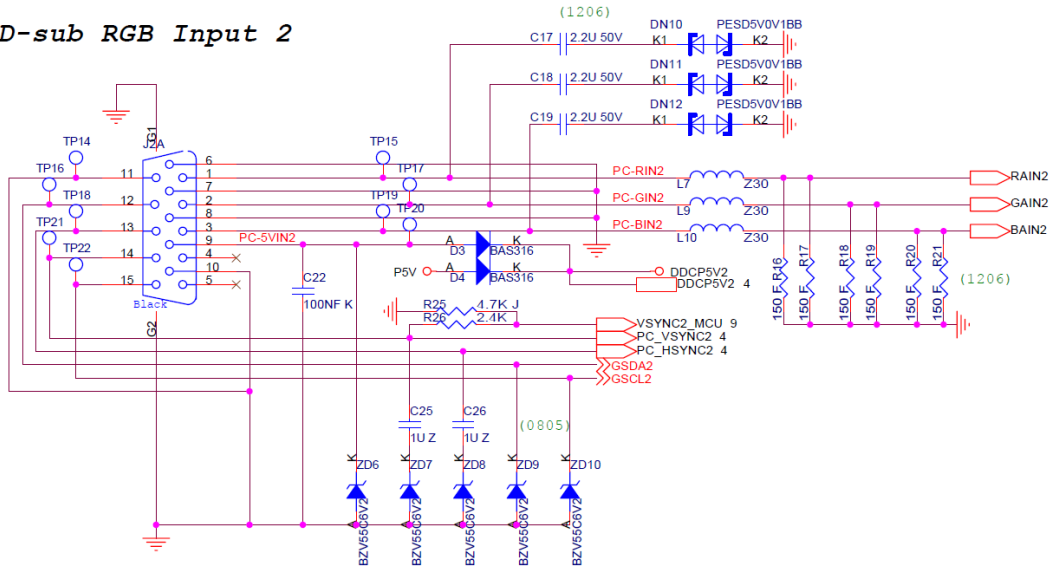
D-sub RGB Input 1



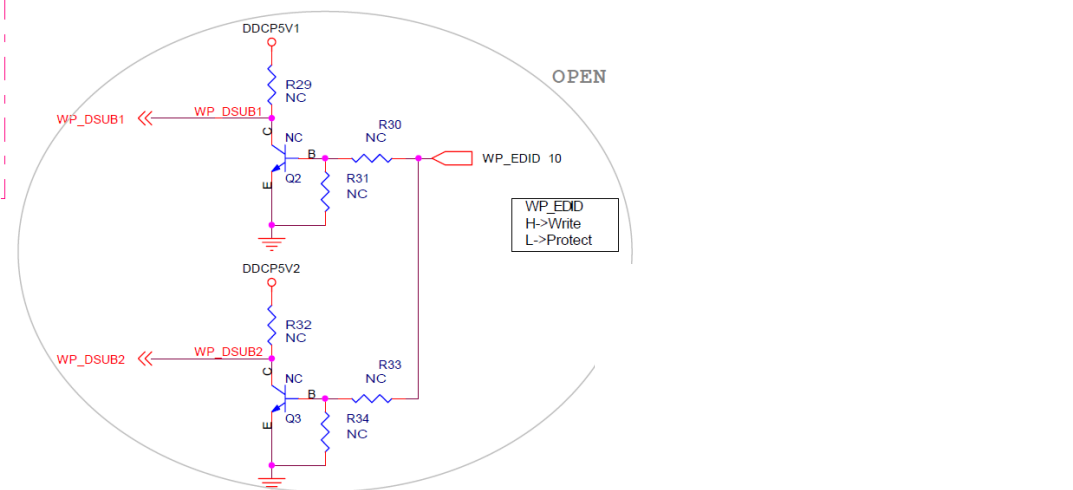
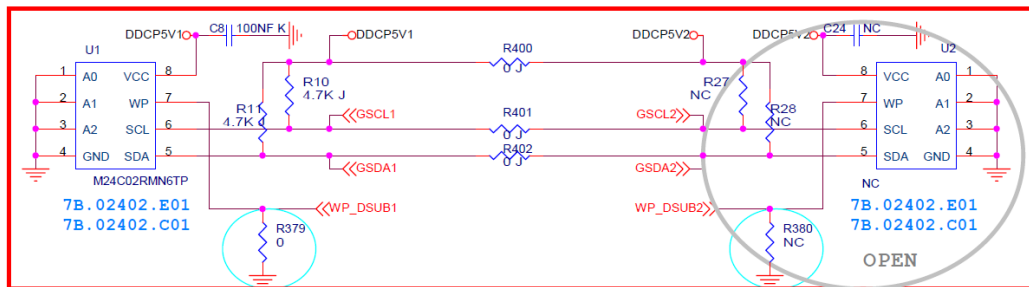
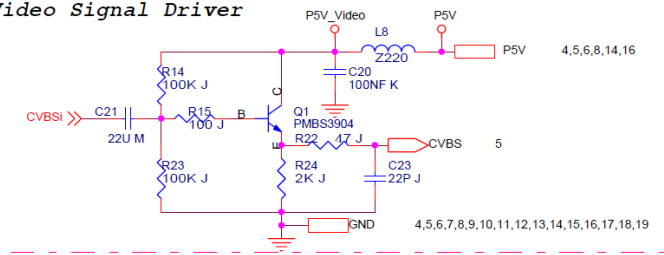
Video Input



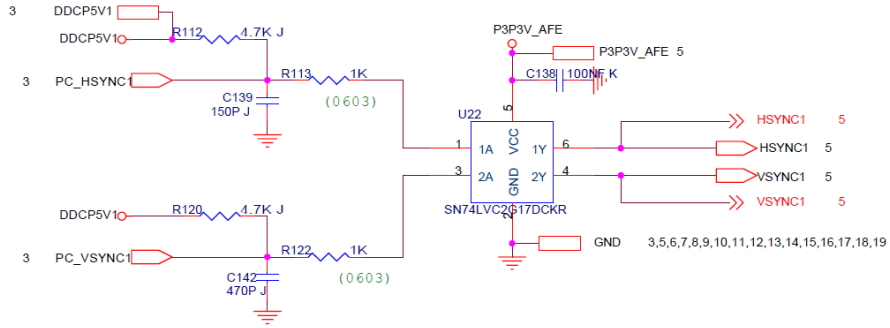
D-sub RGB Input 2



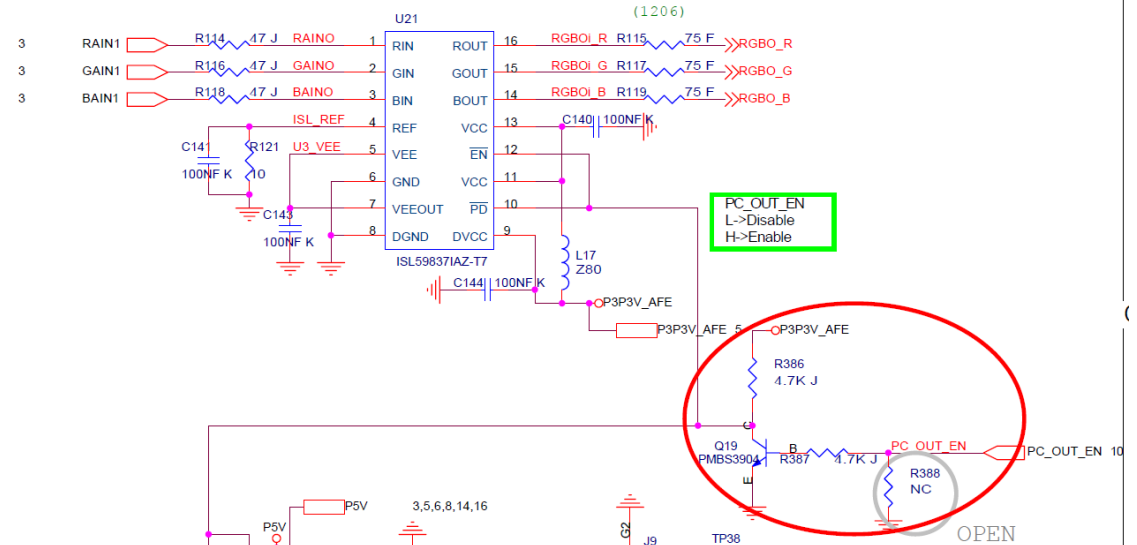
Video Signal Driver



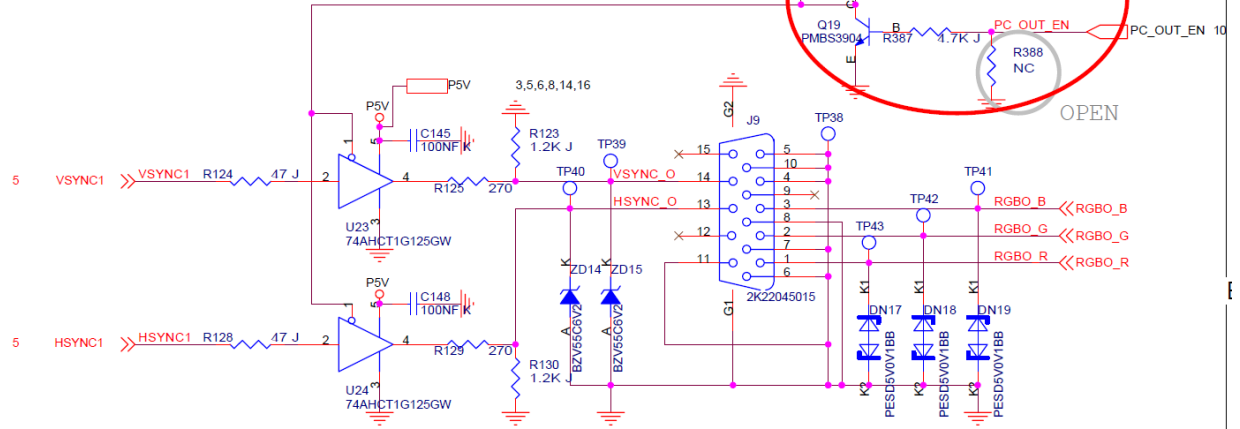
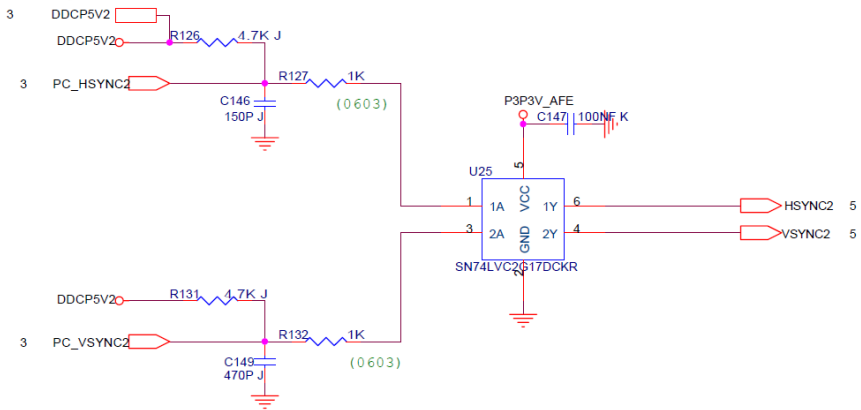
H1,V1 Buffer

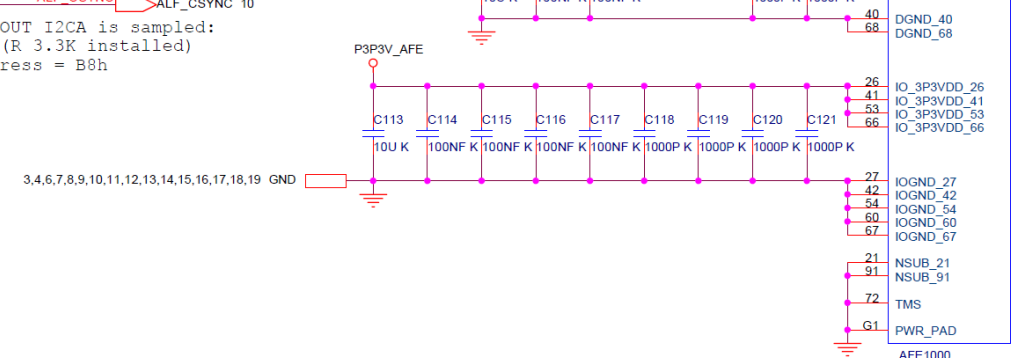
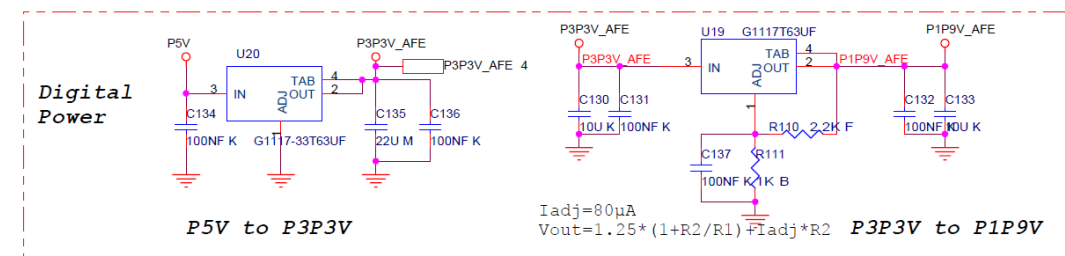
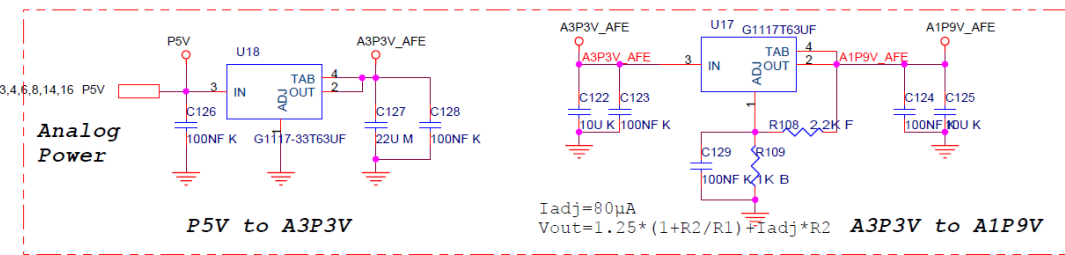
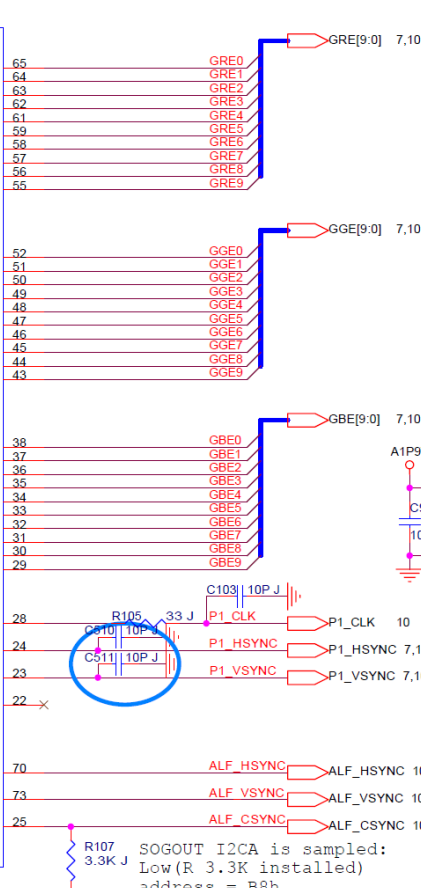
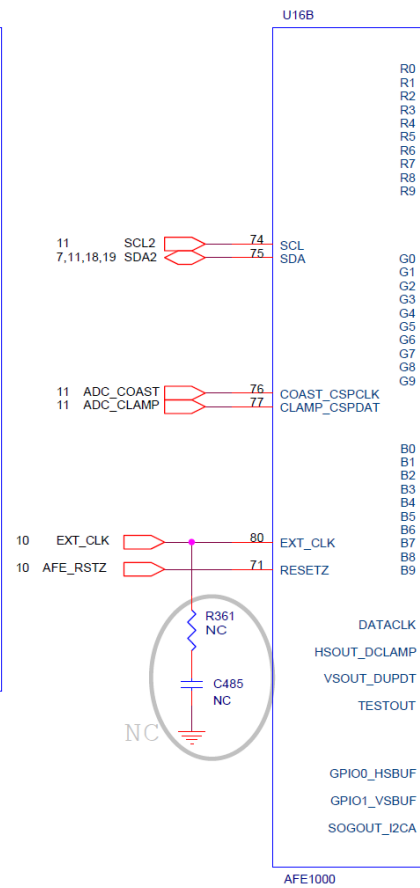
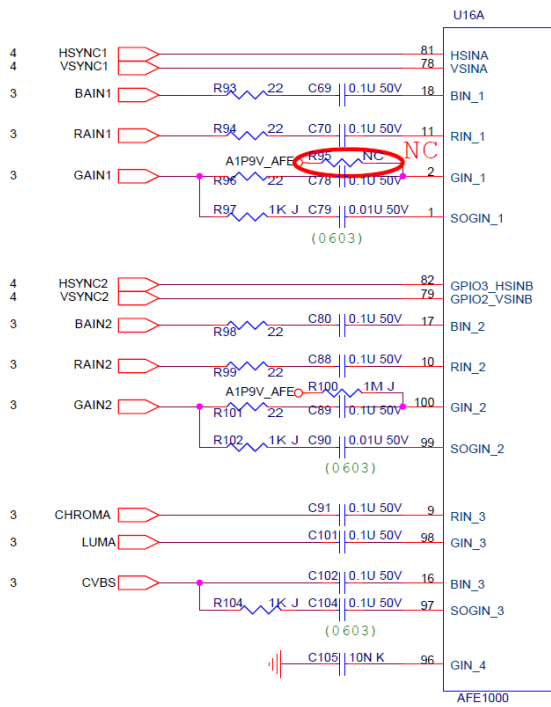


D-sub RGB Output

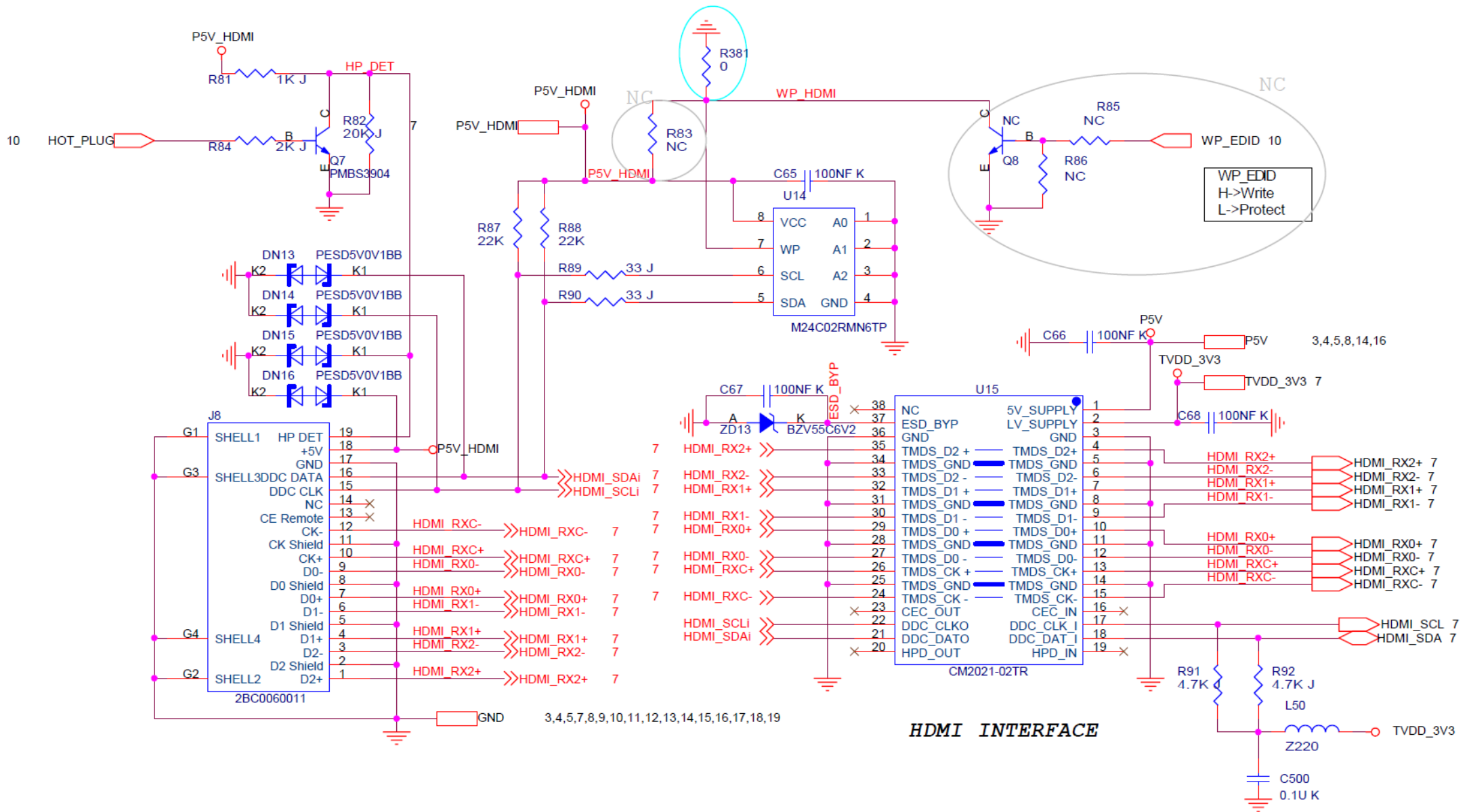


H2,V2 Buffer

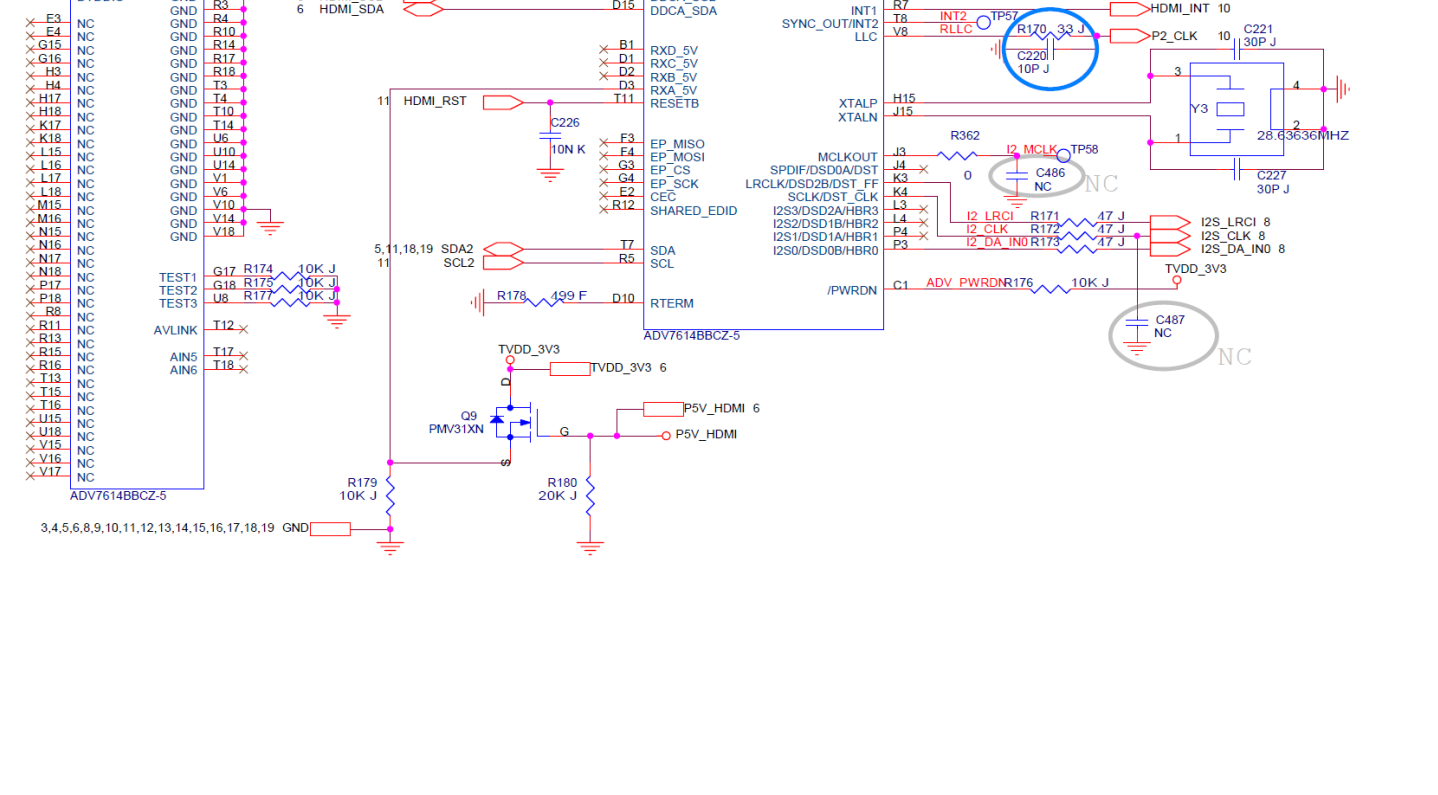
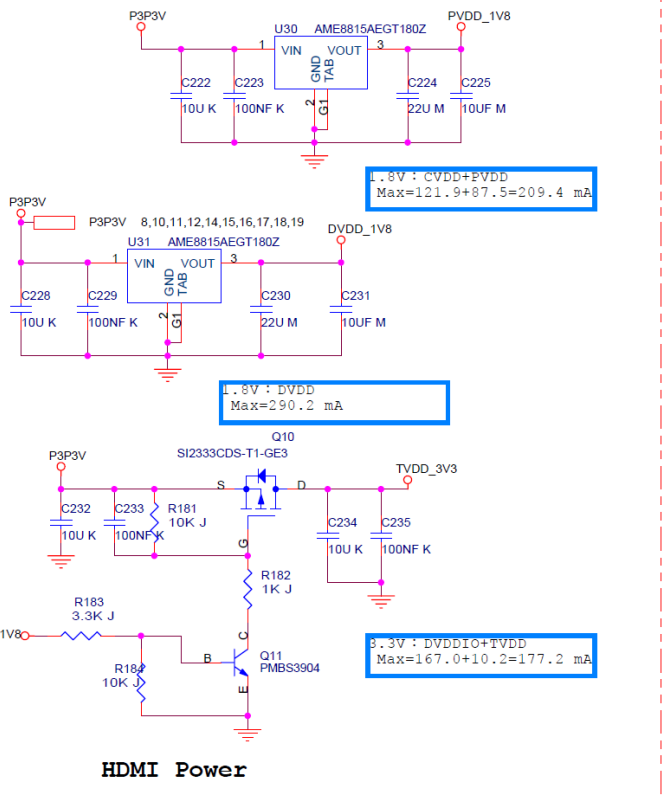
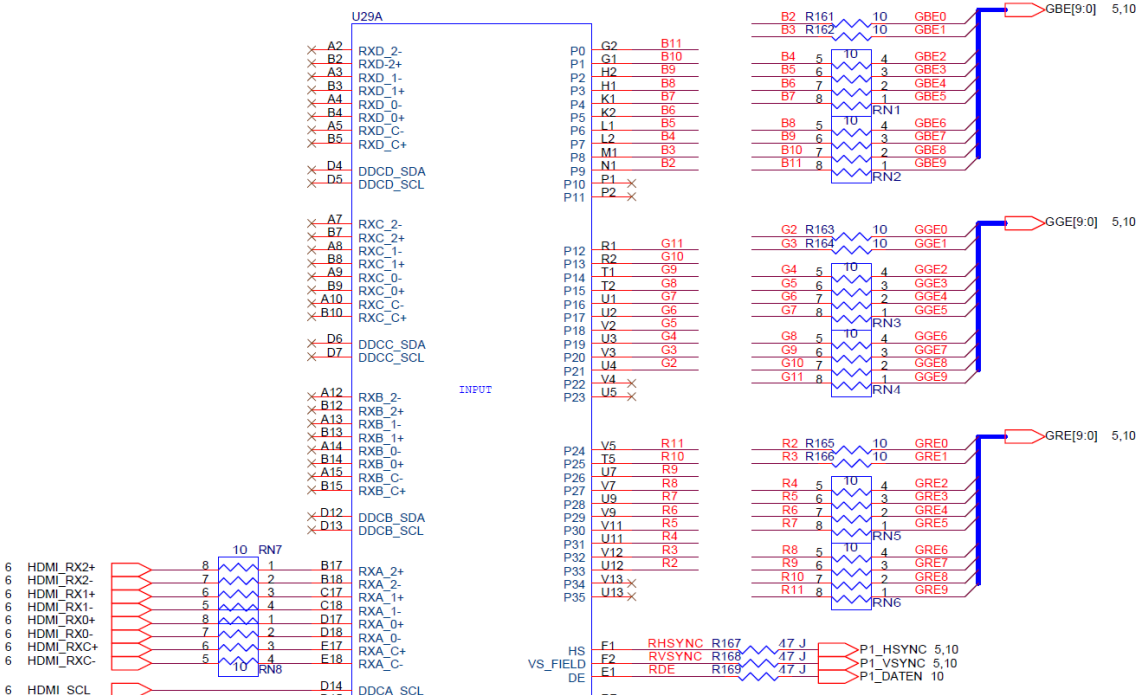
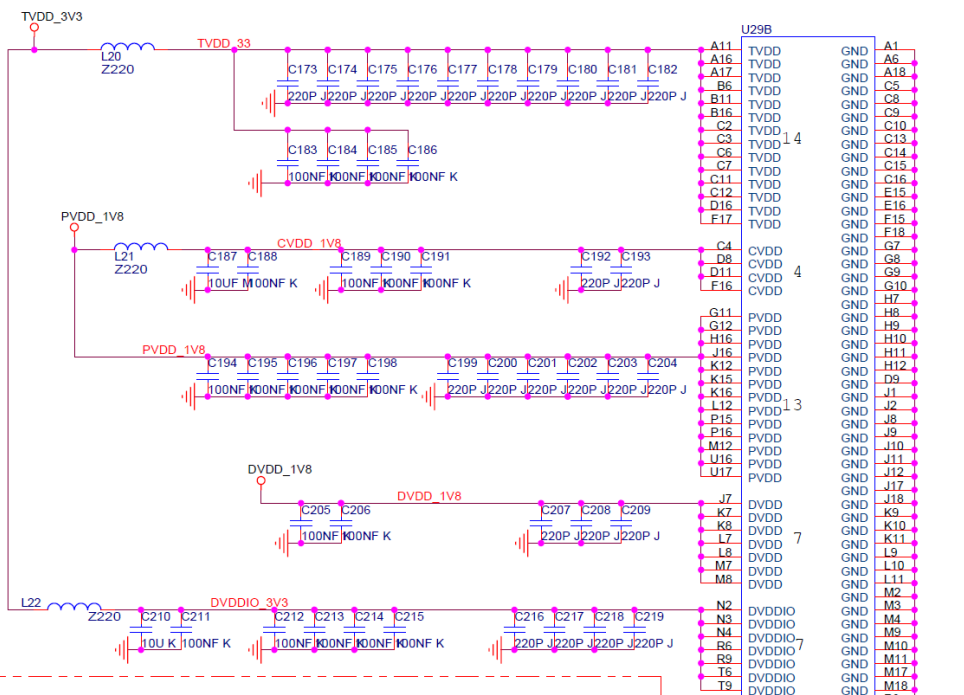




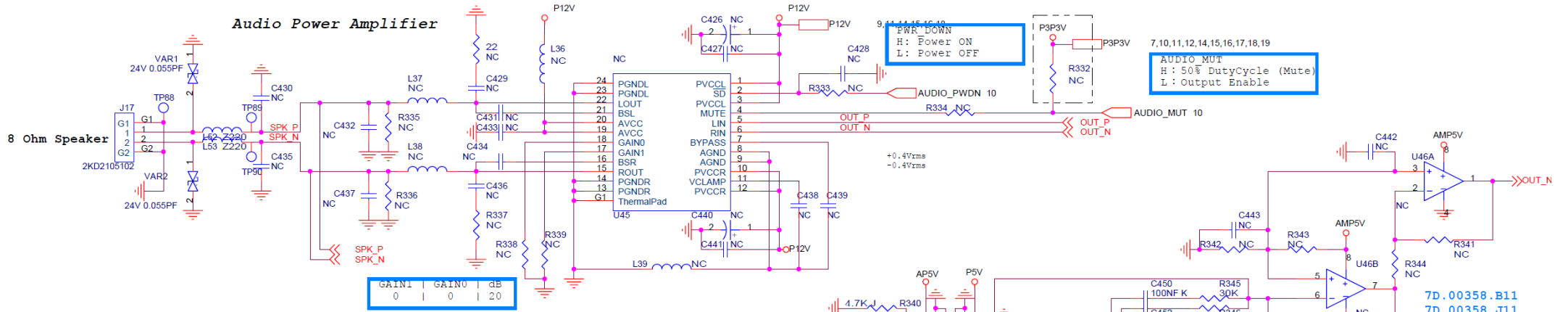
SOGOUT I2CA is sampled:
 Low (R 3.3K installed)
 address = B8h



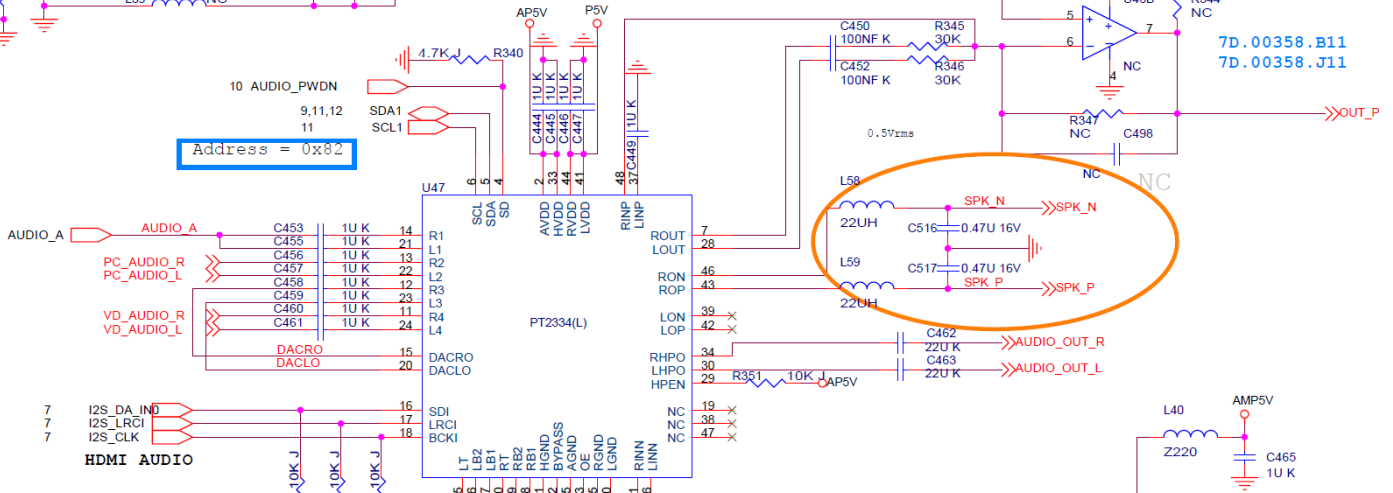
HDMI INTERFACE



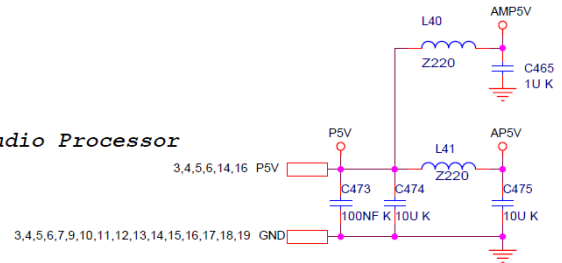
Audio Power Amplifier



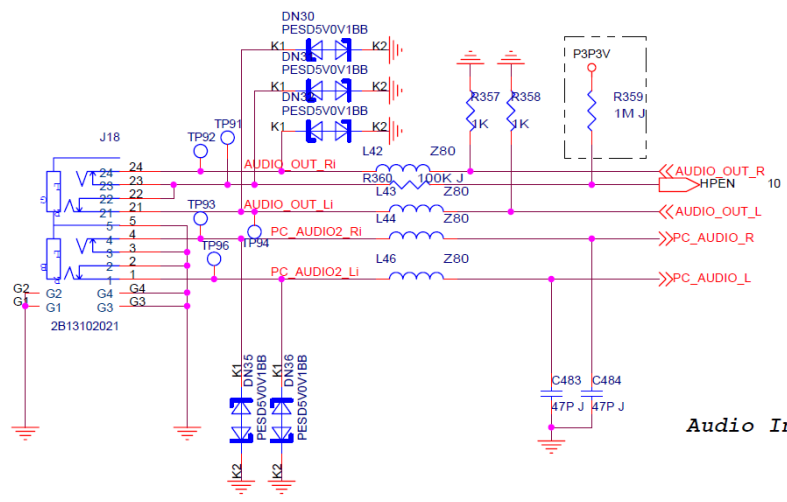
Address = 0x82



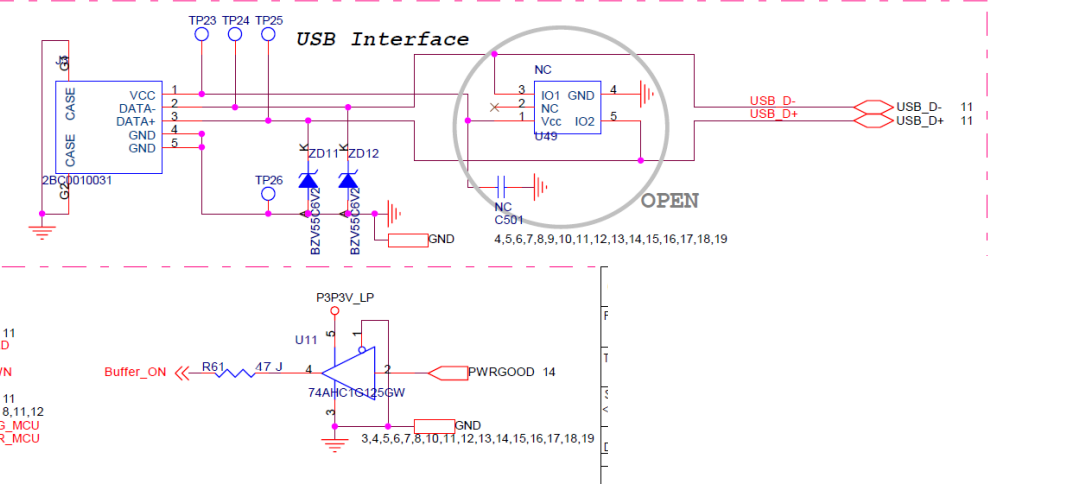
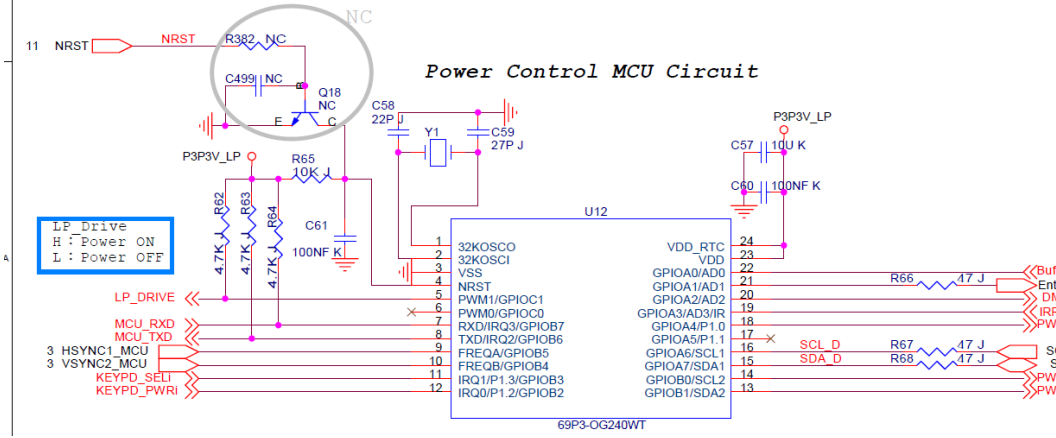
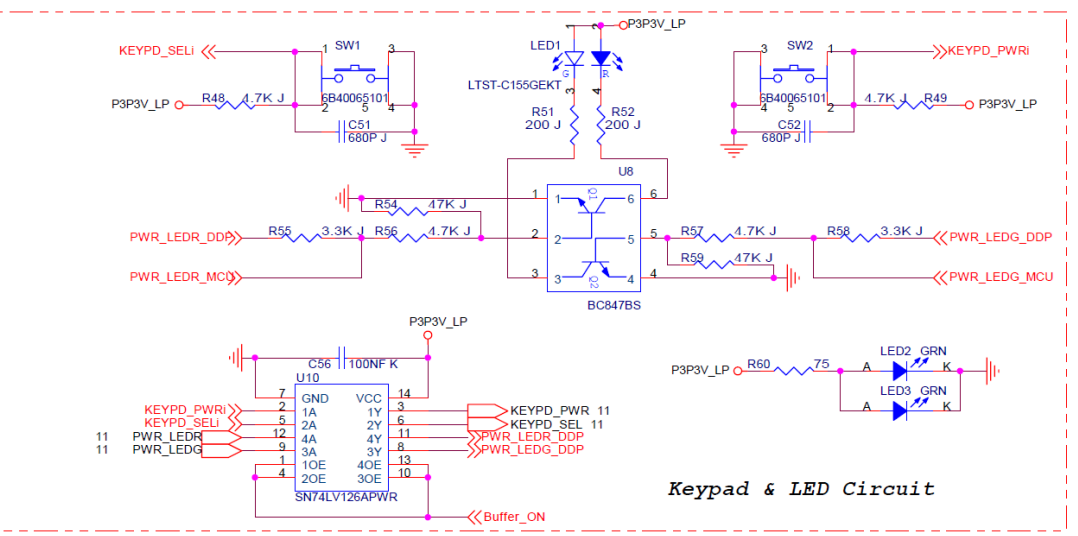
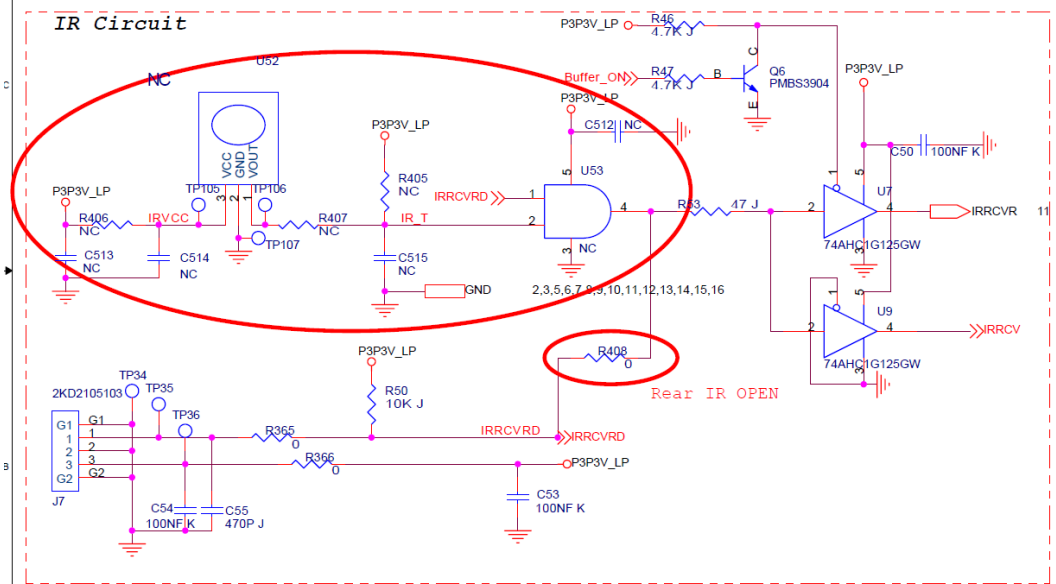
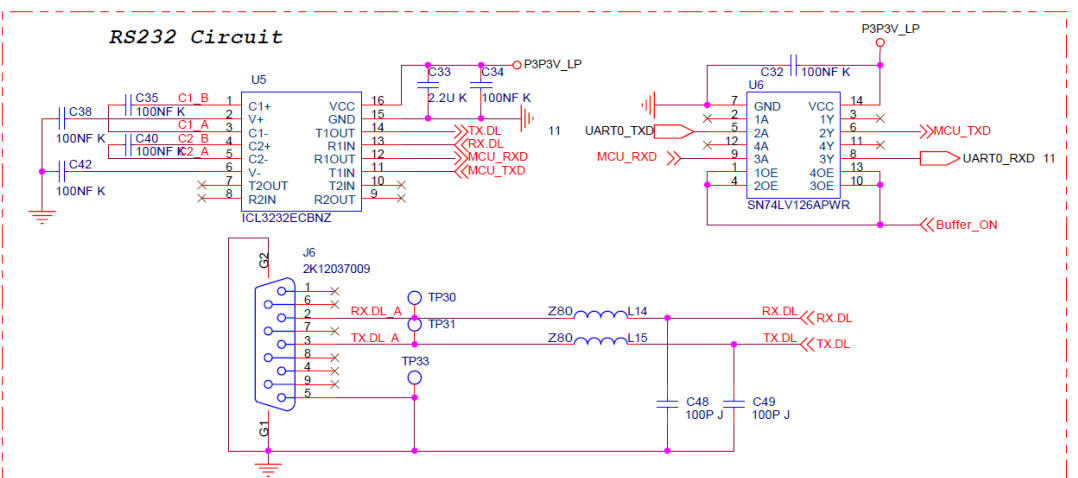
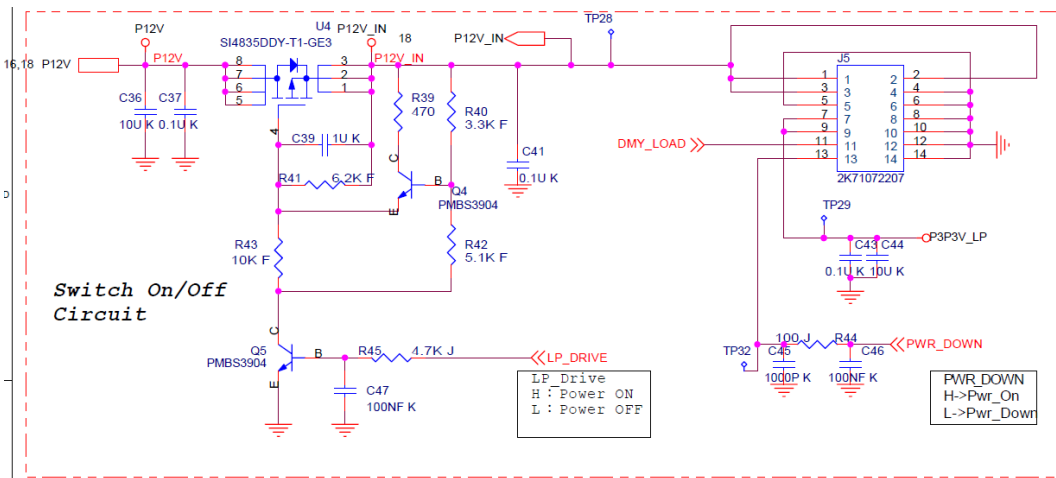
Audio Processor

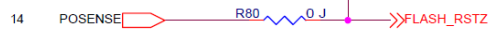
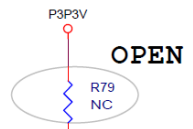
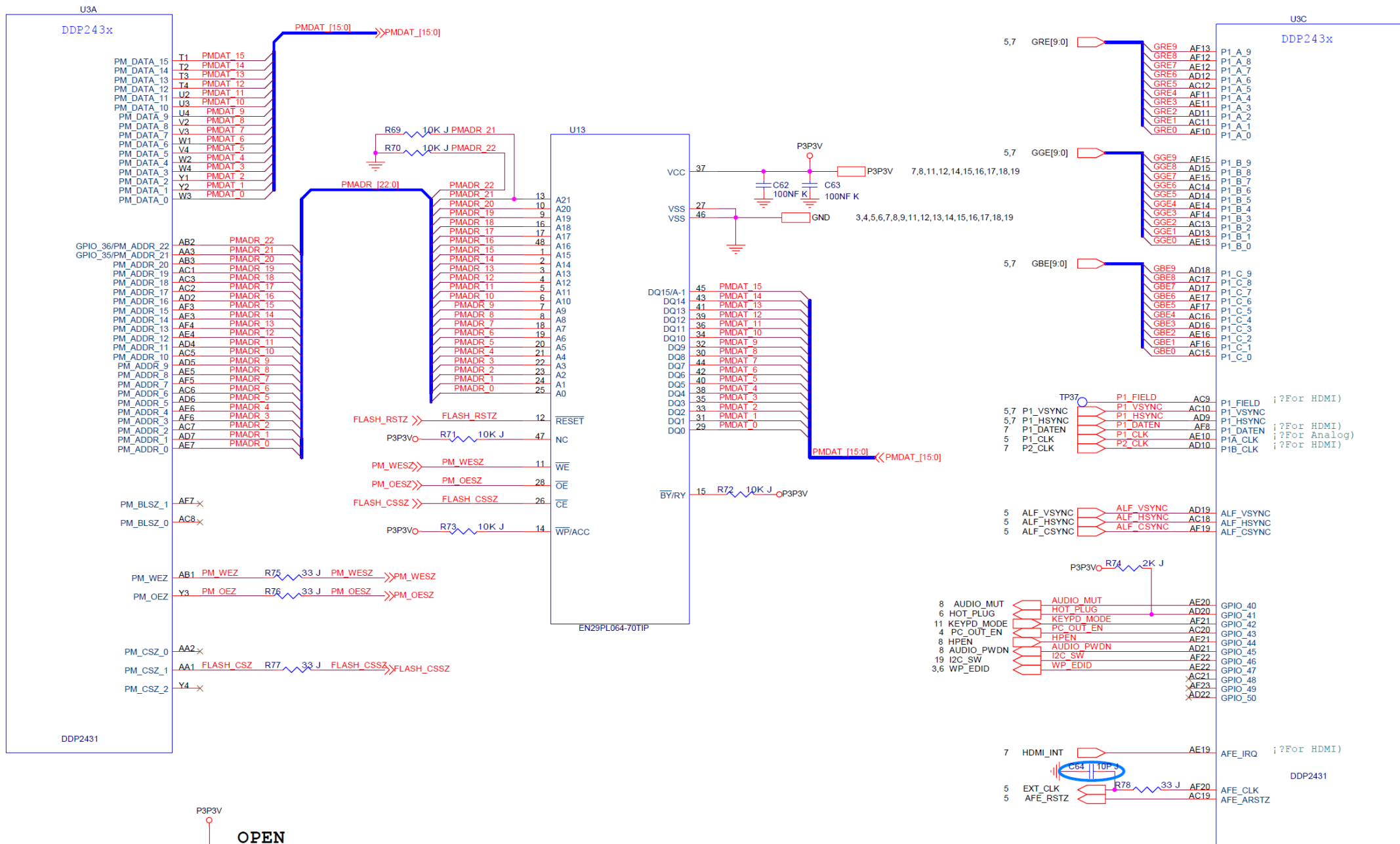


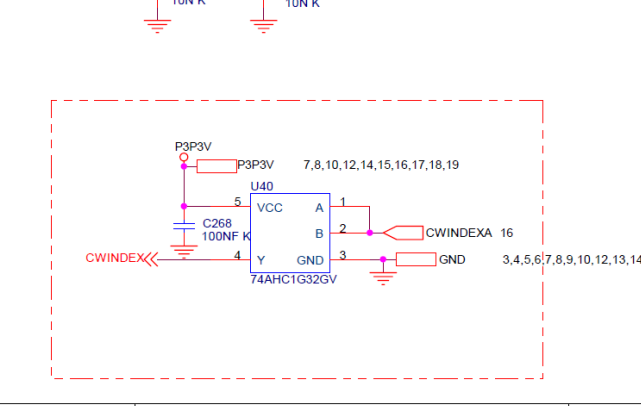
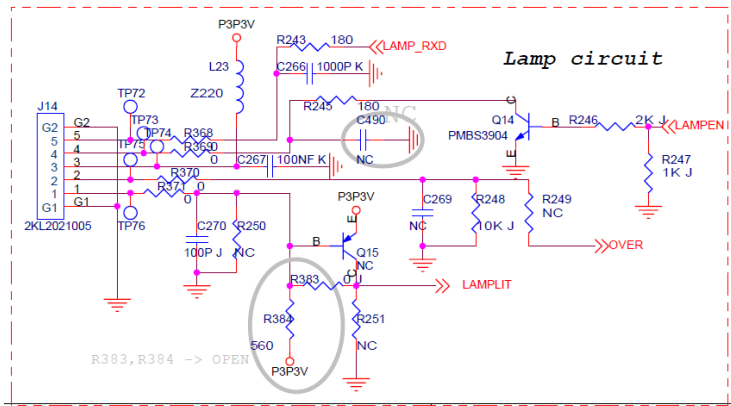
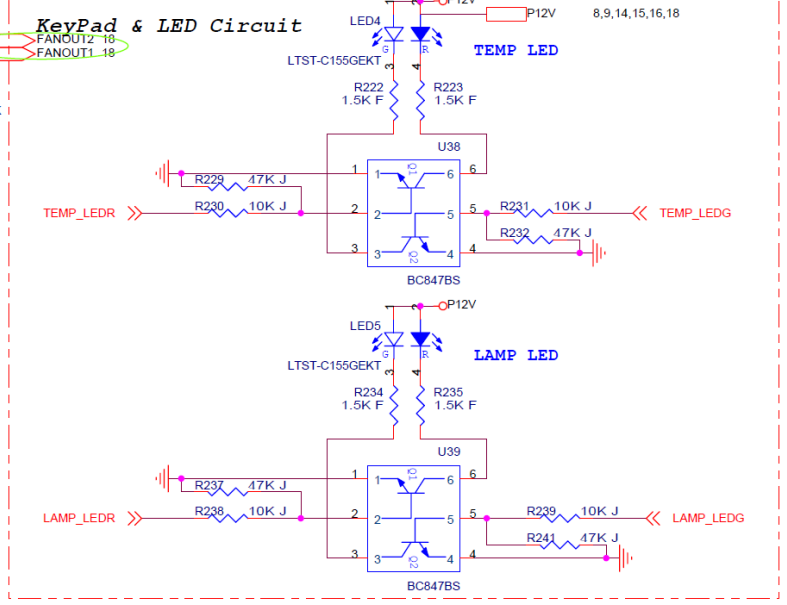
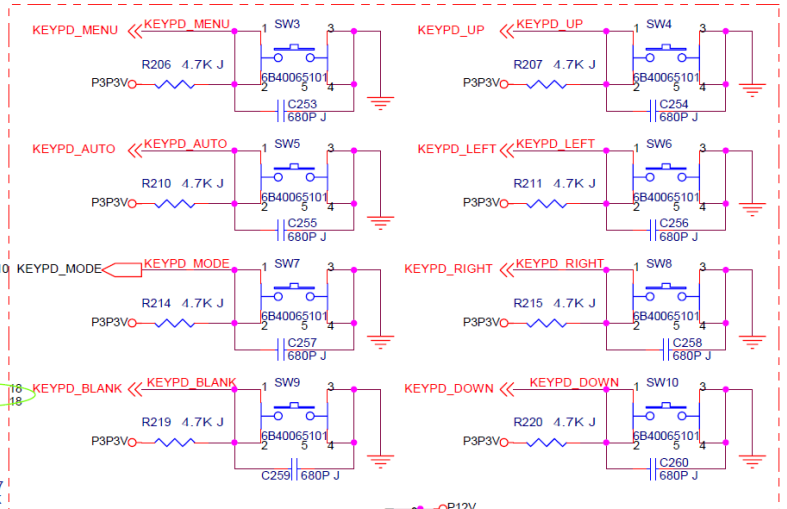
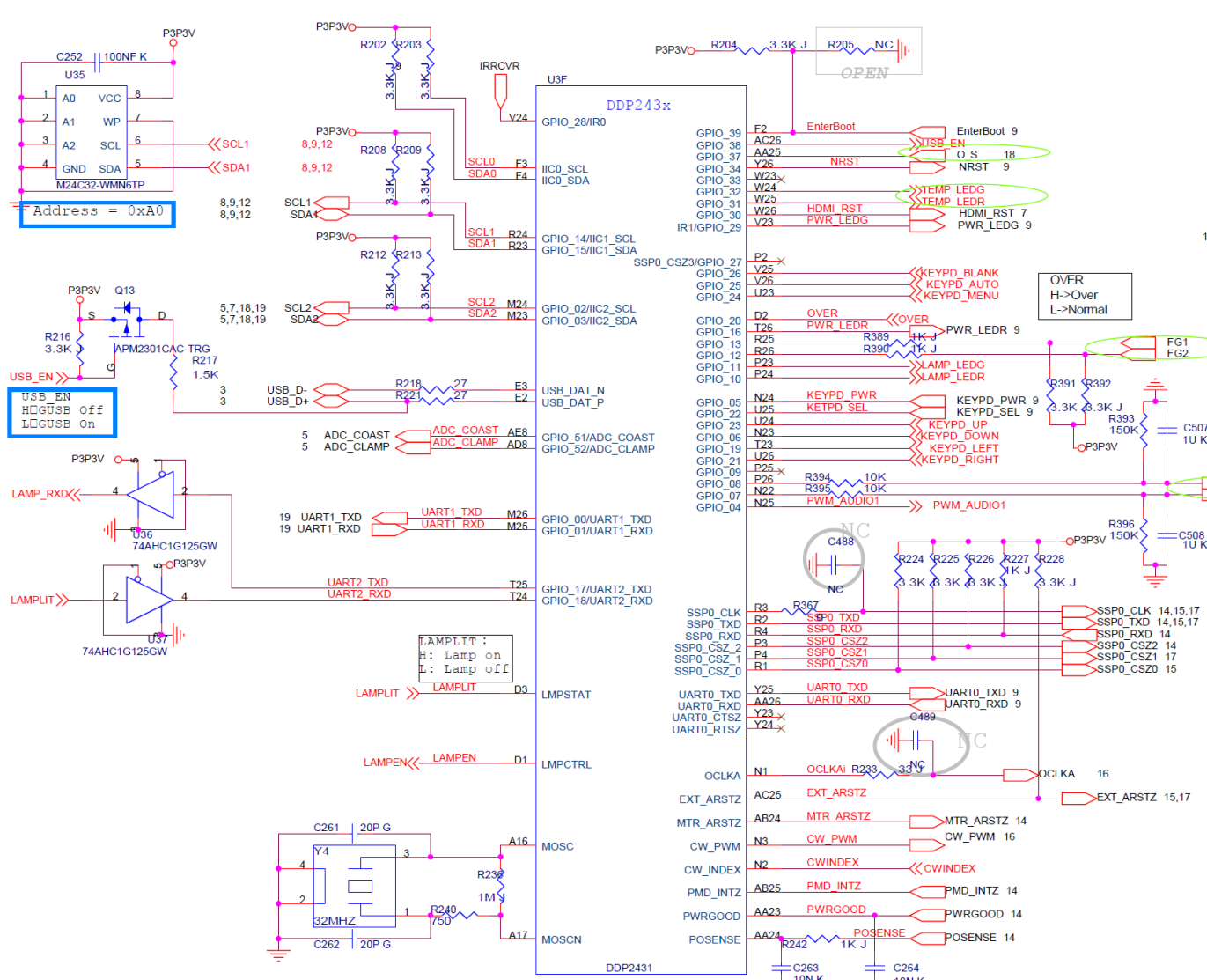
Audio P5V Power

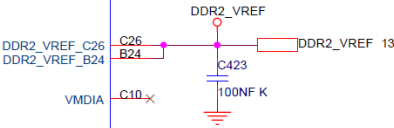
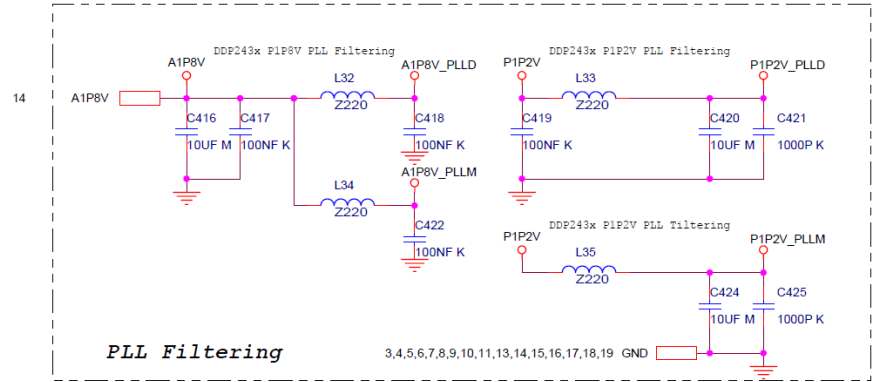
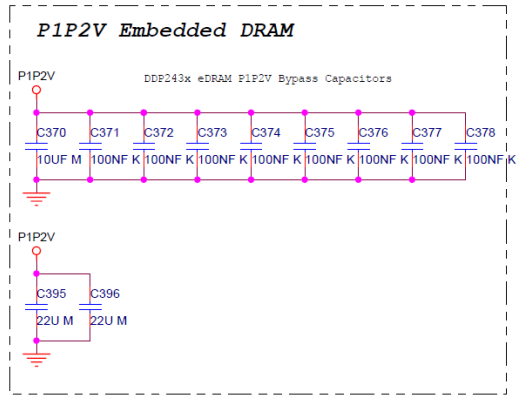
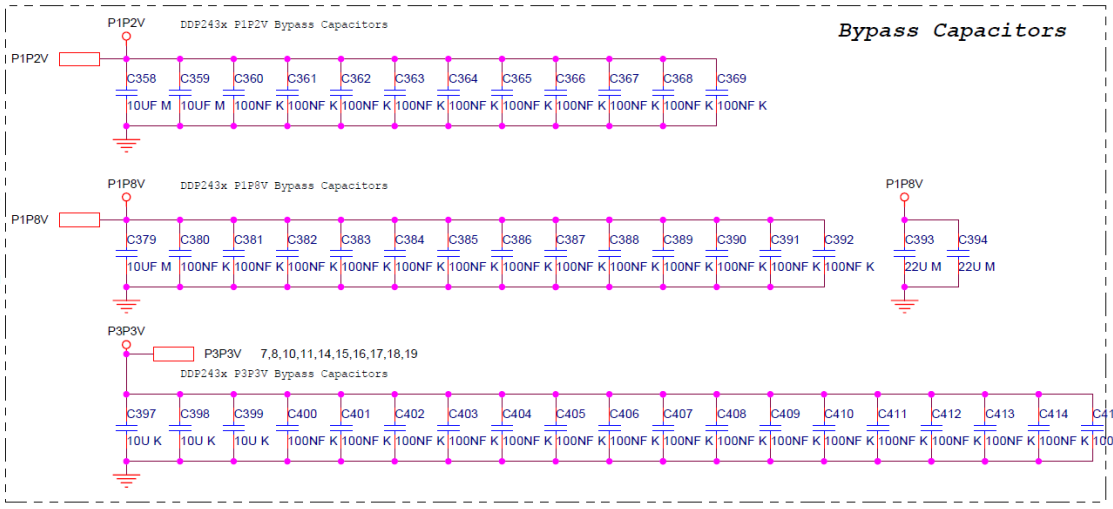
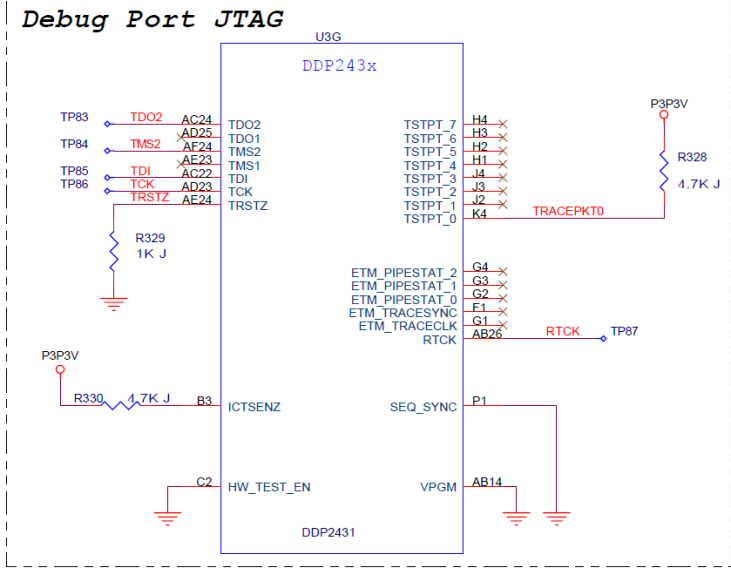
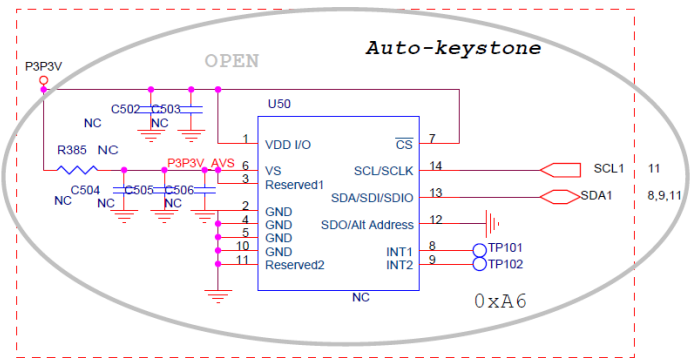
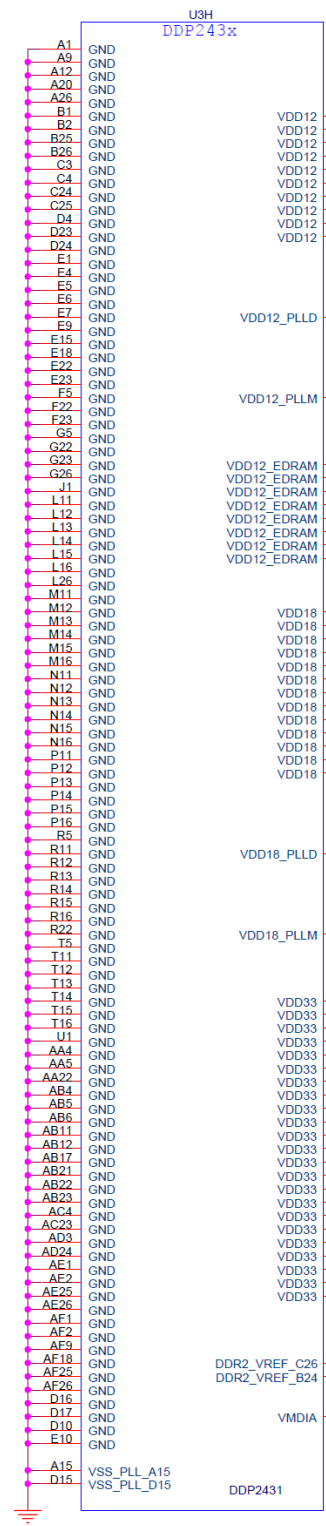


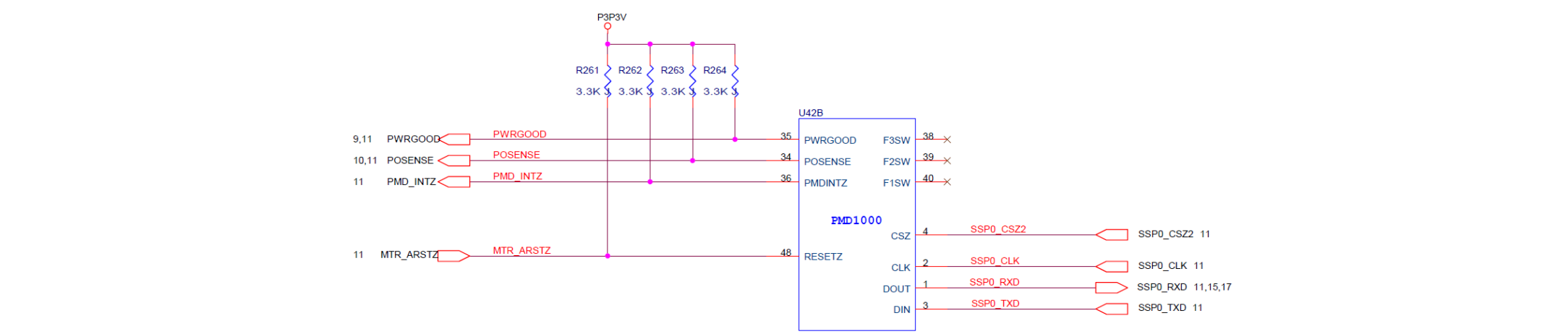
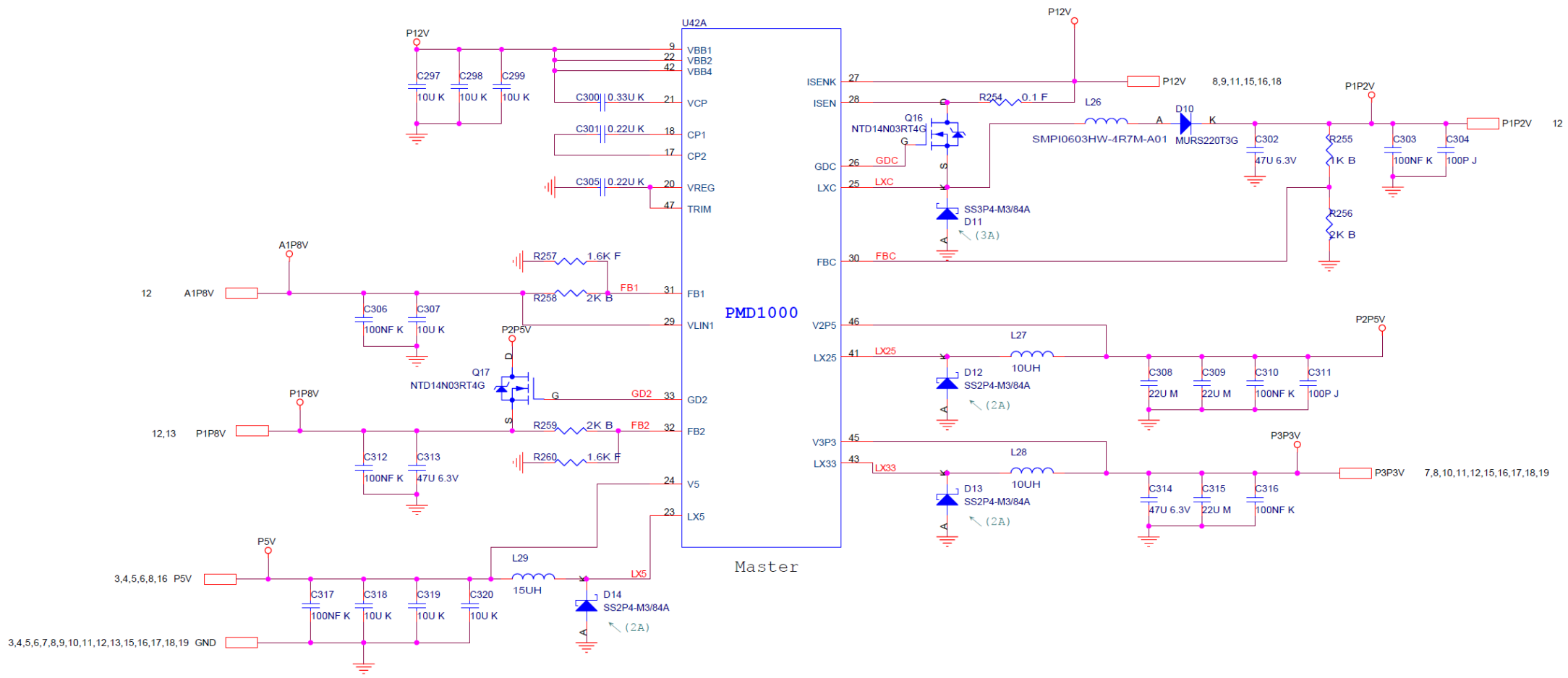
Audio Input/Output Terminal

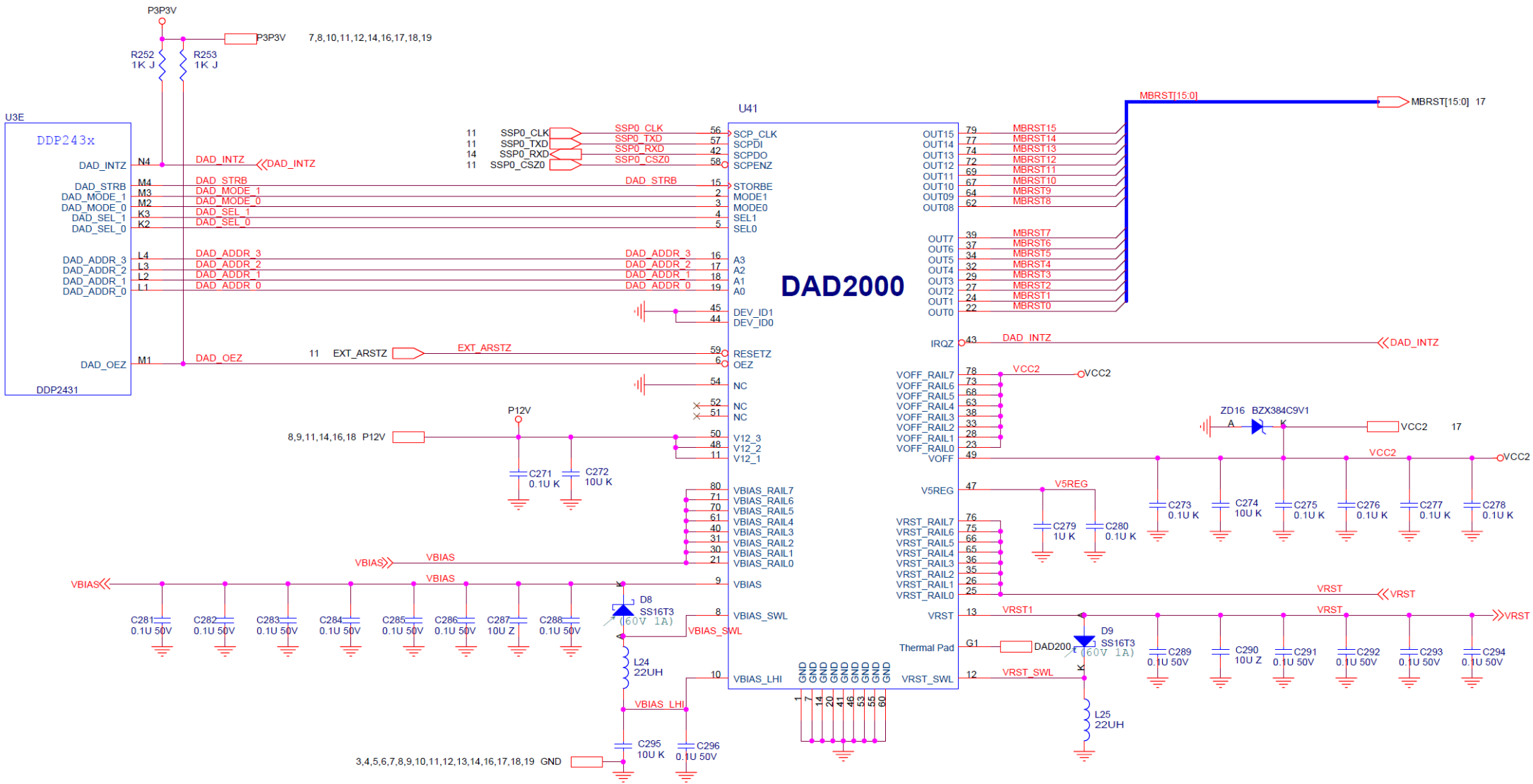


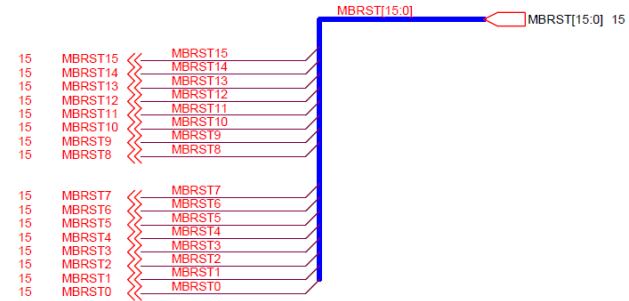
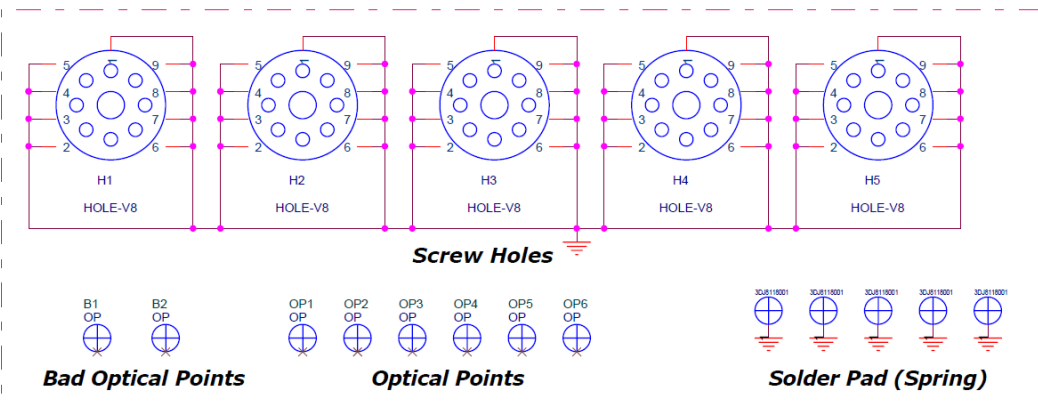
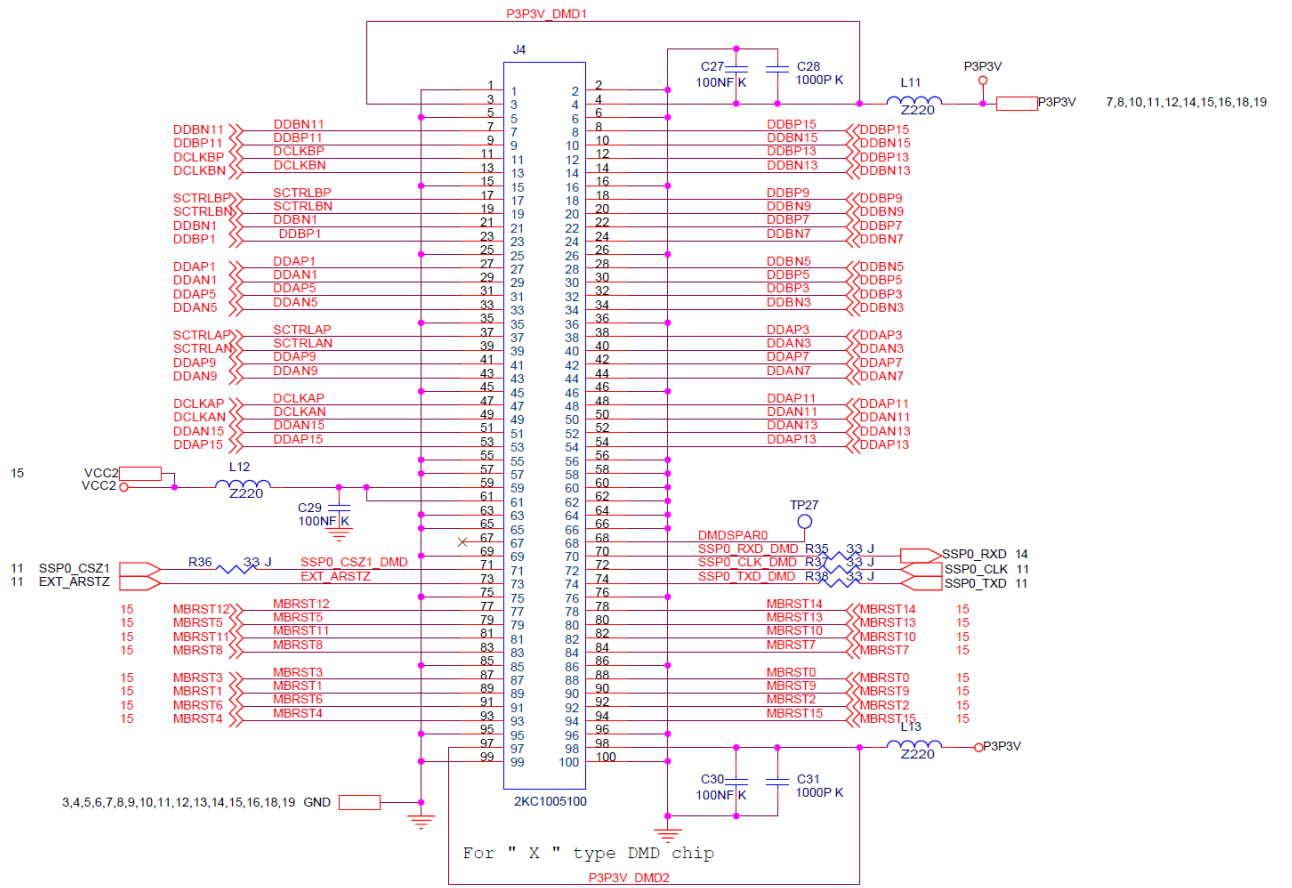
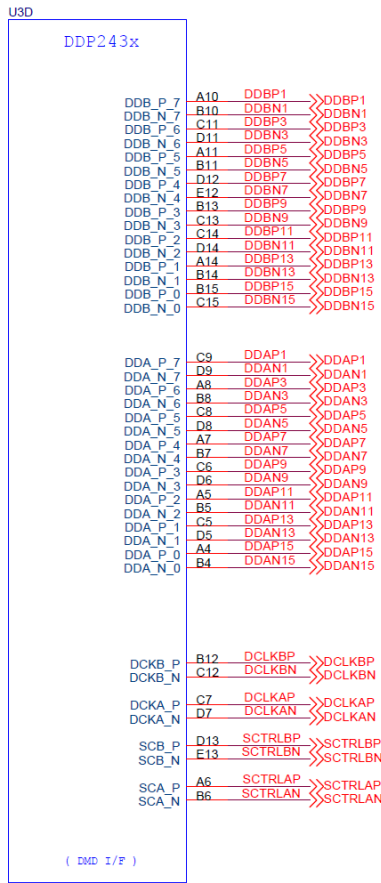


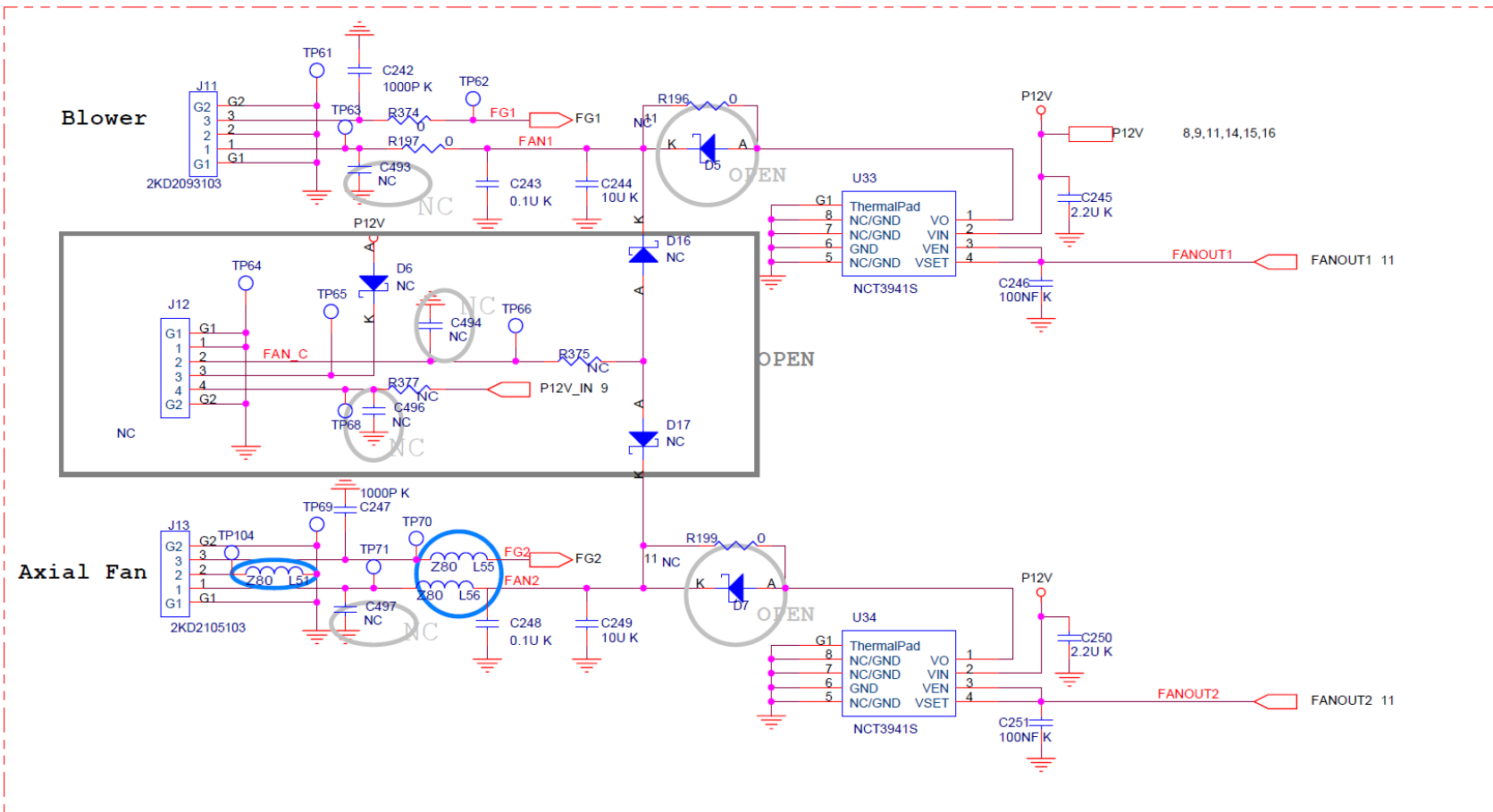
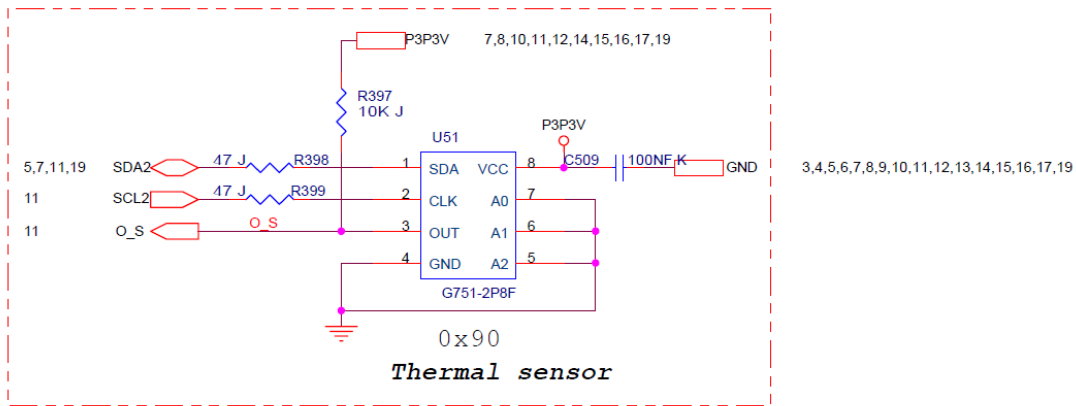








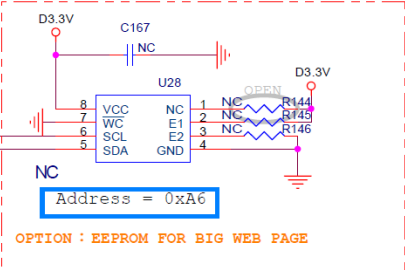
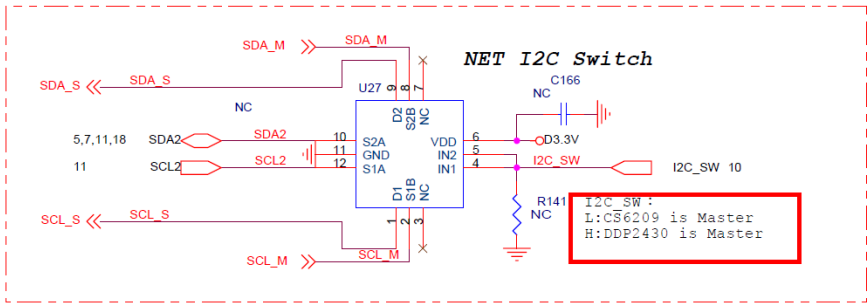
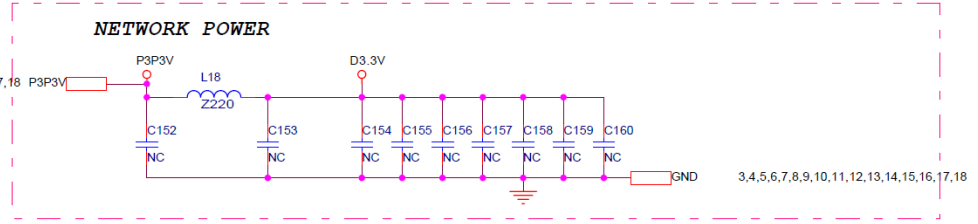
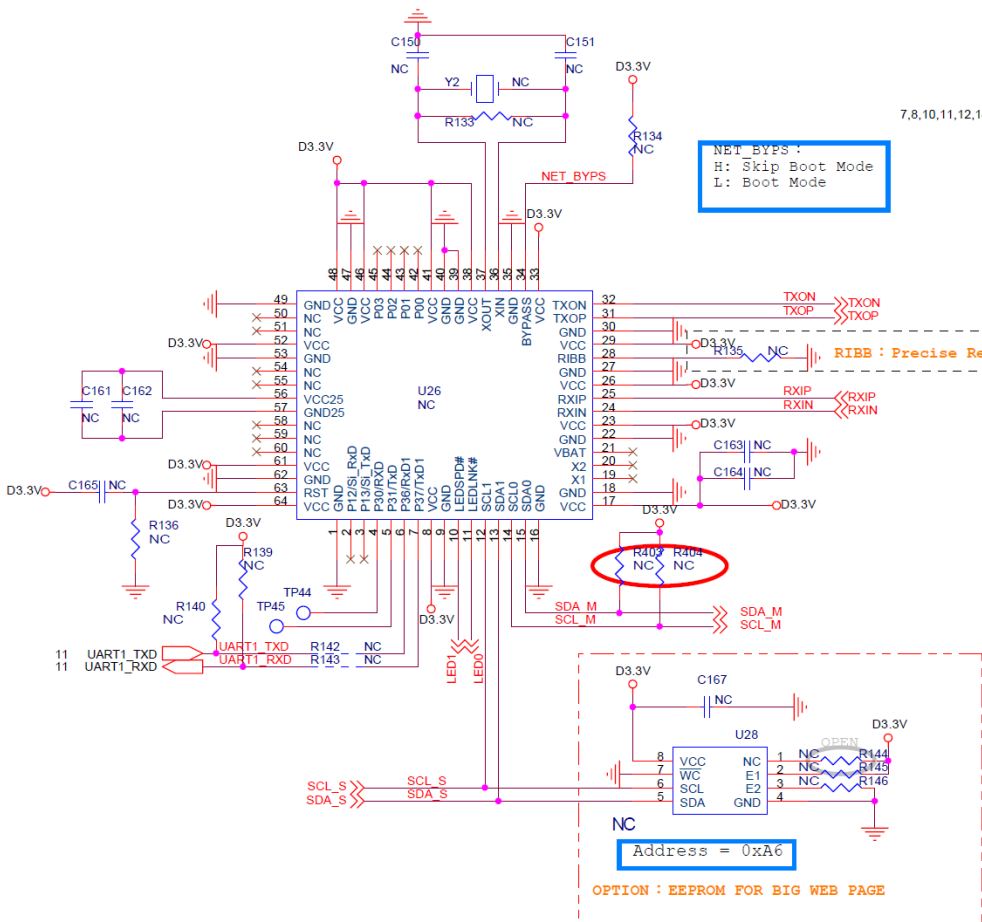




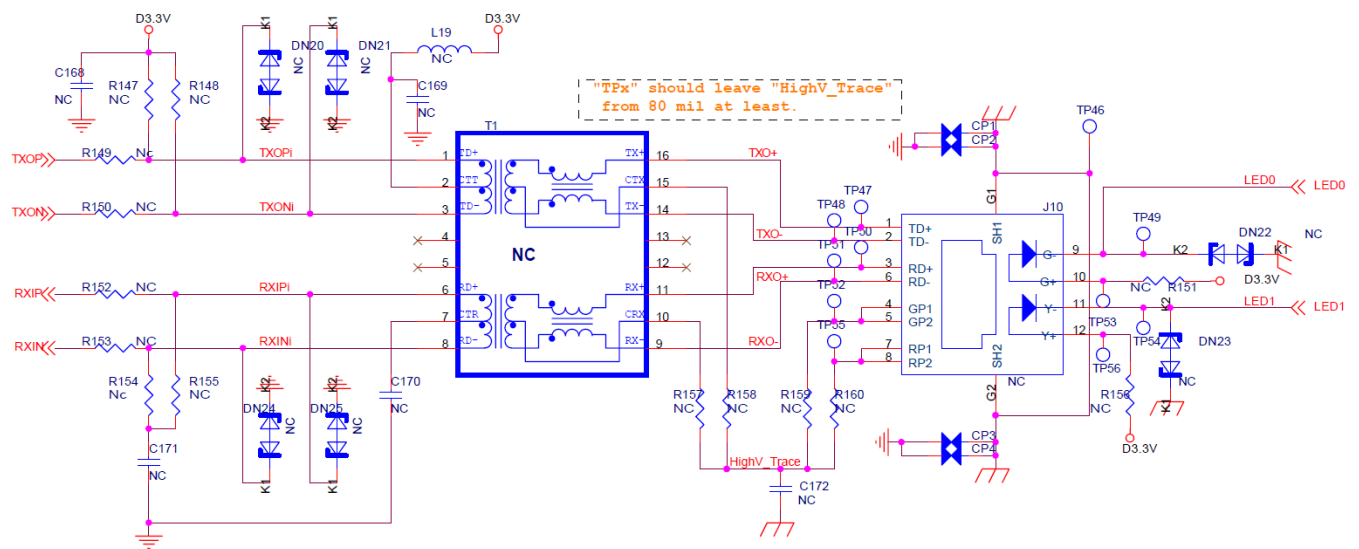
1% / step

Duty cycle:
30% ~ 91%

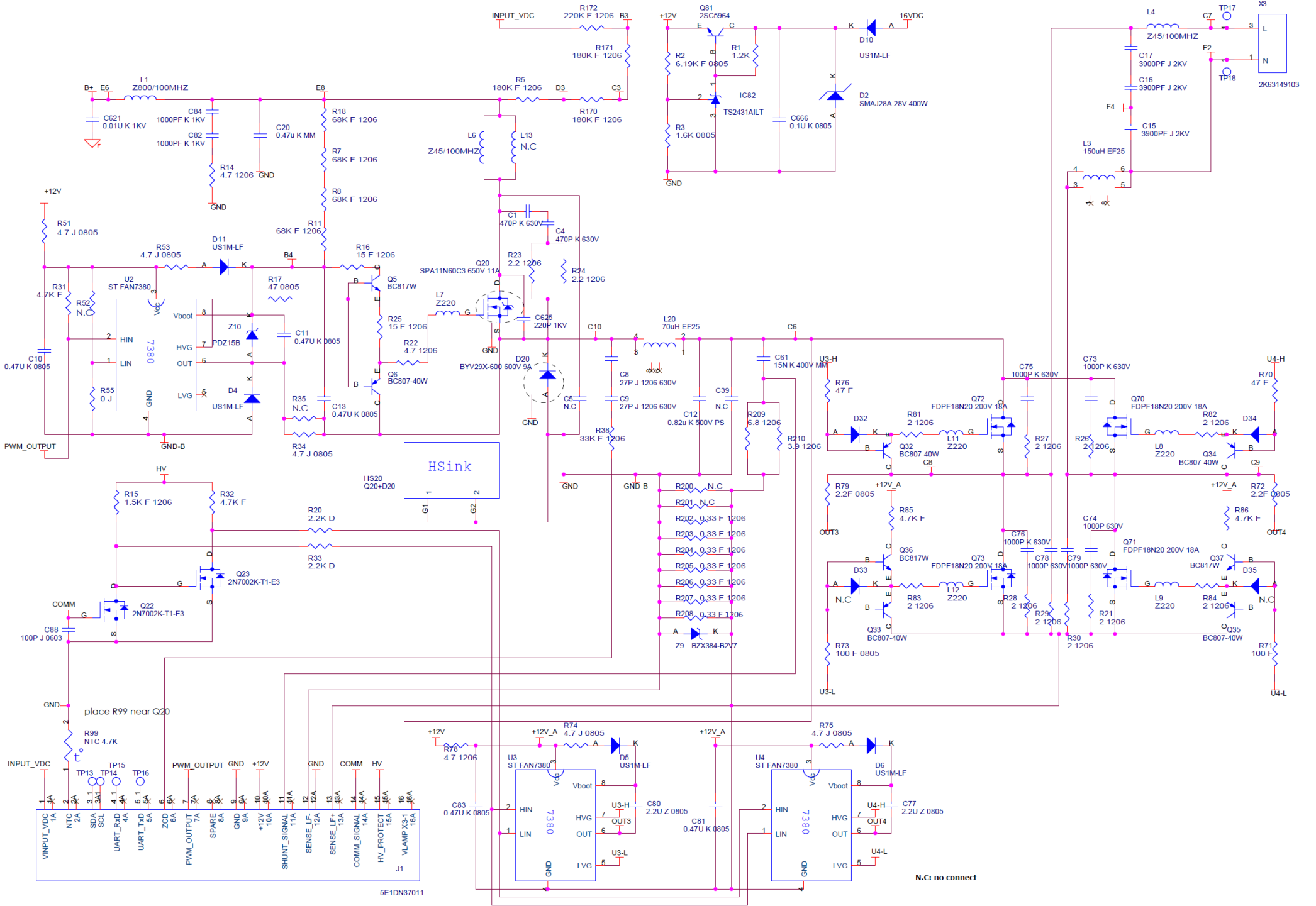
Duty cycle: (with 150K Ohm)
25% ~ 91%

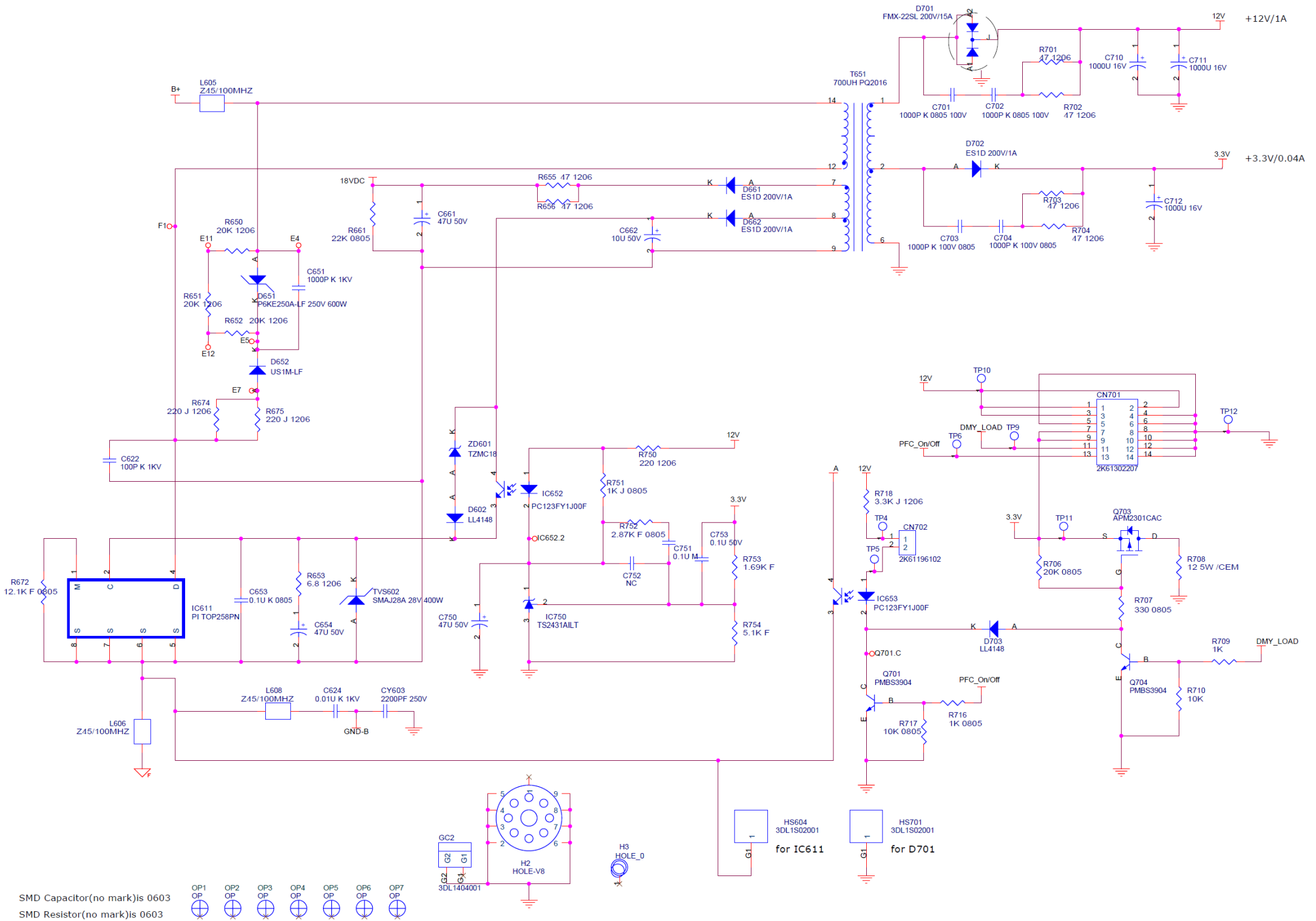


"TPx" should leave "HighV_Trace" from 80 mil at least.

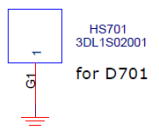
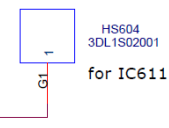
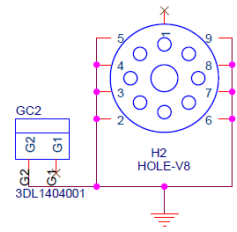


Power board:





SMD Capacitor(no mark)is 0603
 SMD Resistor(no mark)is 0603

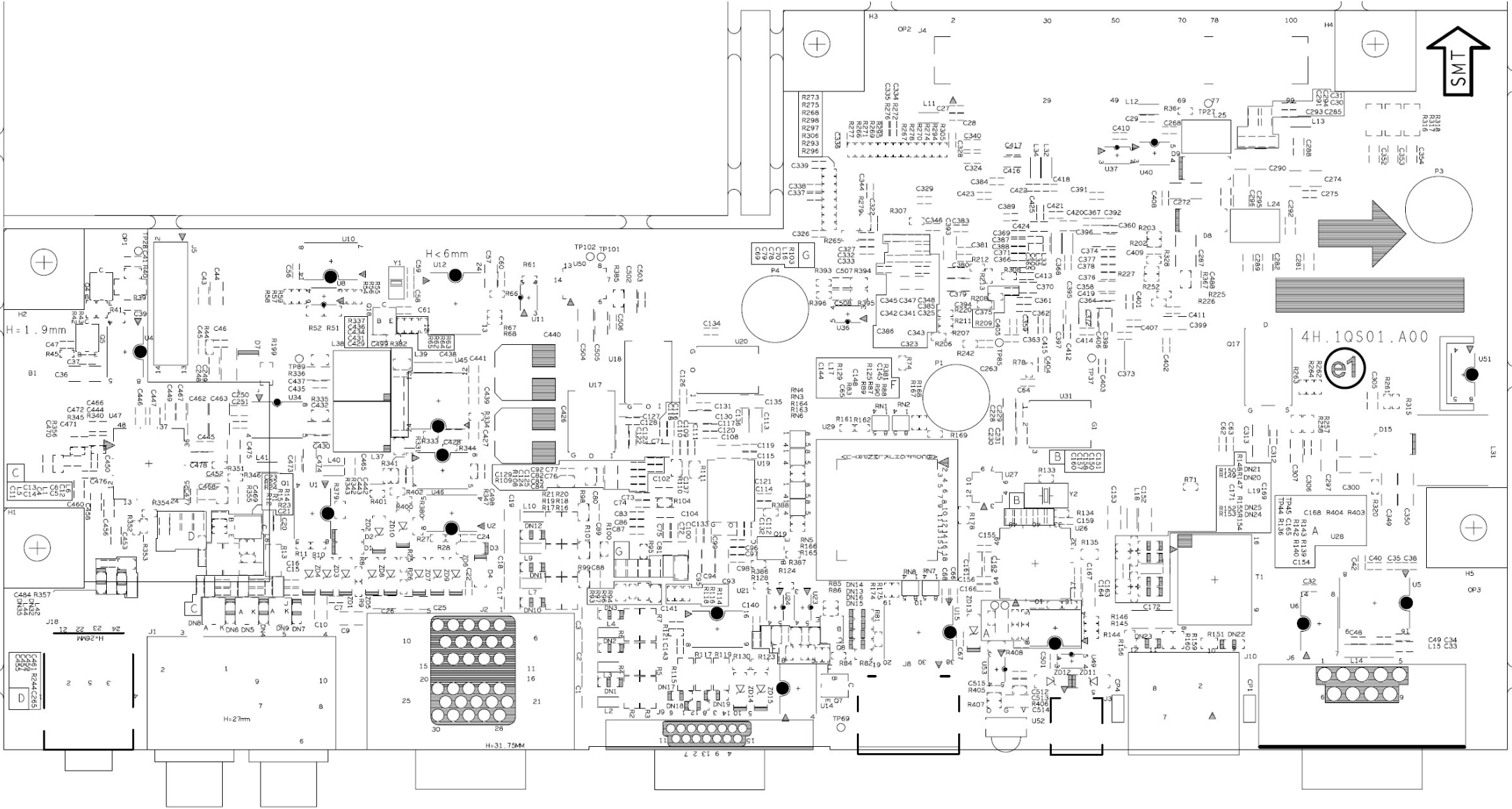


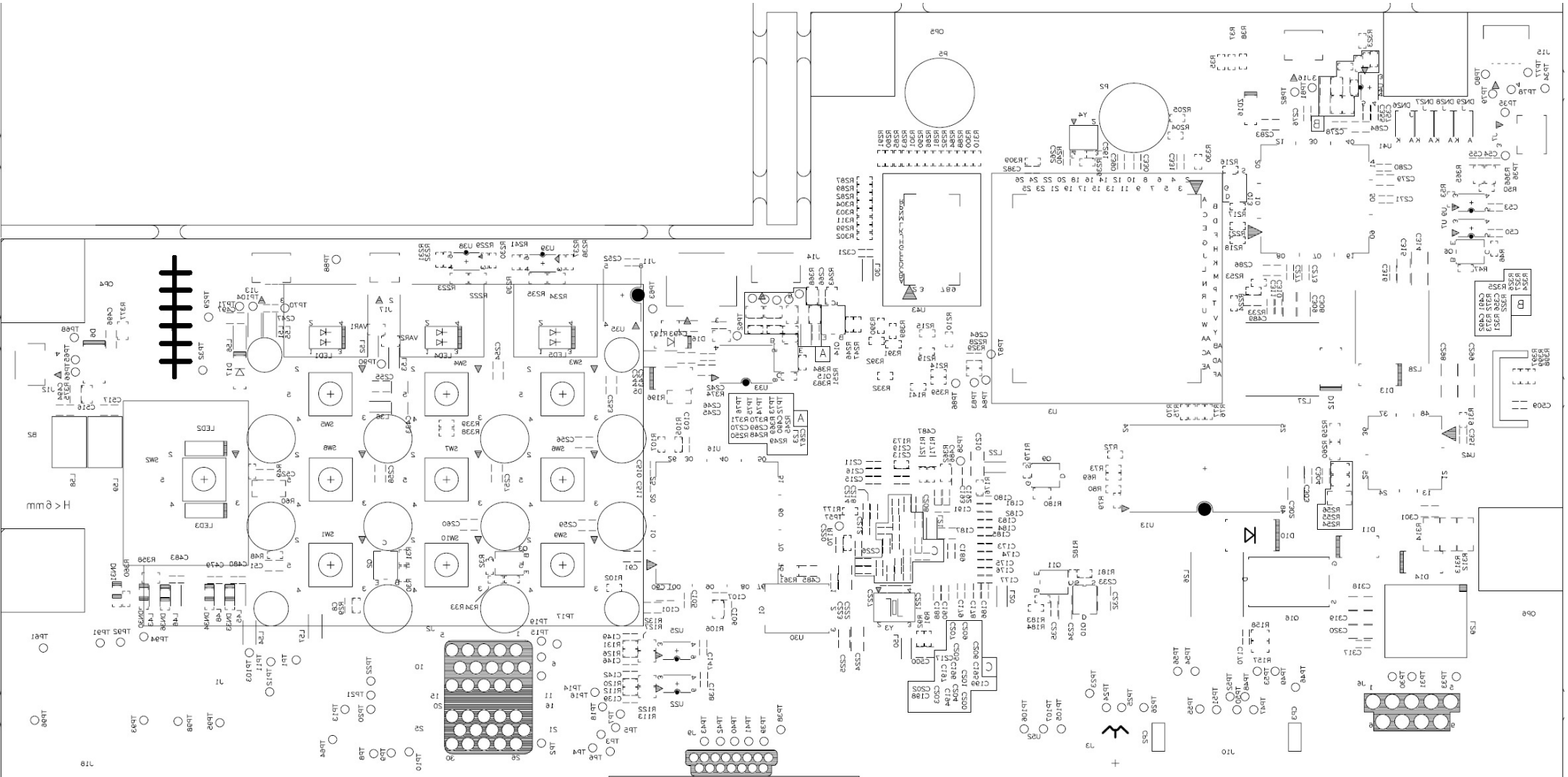
+12V/1A

+3.3V/0.04A

DMY_LOAD

PCB Artwork: Main Board





FRONT

SMT

