

# *SERVICE MANUAL*

**ORIGINAL MANUAL ISSUE DATE: 7/2016**

**GN2TR CHASSIS**  
Segment: QHL/QH2

<b>Version</b>	<b>Date</b>	<b>Subject</b>
1.0	7/2016	Original manual issue.
1.1	8/2016	Addition of Appendix-4. (P.235, Reset vs. Factory Reset)

**LCD TV**

**SONY®**

# MODEL LIST

## Segment: QHL

<i>MODEL</i>	<i>COLOR</i>	<i>COMMANDER</i>	<i>DEST.</i>
<b>KD-43XD8005</b>	<i>Black</i>	<i>RMF-TX200E</i>	<i>CEI</i>
<b>KD-43XD8077</b>	<i>Silver</i>	<i>RMF-TX200E</i>	<i>CEI/UKA/RU3</i>
<b>KD-43XD8088</b>	<i>Black</i>	<i>RMF-TX200E</i> <i>RMT-TX210E</i>	<i>CEI/UKA</i> <i>CEI</i>
<b>KD-43XD8099</b>	<i>Black</i>	<i>RMF-TX200E</i> <i>RMT-TX210E</i>	<i>CEI/UKA/RU3</i> <i>CEI</i>
<b>FW-43XD8001</b>	<i>Black</i>	<i>RMF-TX200E</i> <i>RMT-TX210E</i>	<i>CEI/UKA</i> <i>CEI/UKA</i>
<b>KD-49XD8005</b>	<i>Black</i>	<i>RMF-TX200E</i>	<i>CEI</i>
<b>KD-49XD8077</b>	<i>Silver</i>	<i>RMF-TX200E</i>	<i>CEI/UKA/RU3</i>
<b>KD-49XD8088</b>	<i>Black</i>	<i>RMF-TX200E</i> <i>RMT-TX210E</i>	<i>CEI/UKA</i> <i>CEI</i>
<b>KD-49XD8099</b>	<i>Black</i>	<i>RMF-TX200E</i> <i>RMT-TX210E</i>	<i>CEI/UKA/RU3</i> <i>CEI</i>
<b>FW-49XD8001</b>	<i>Black</i>	<i>RMF-TX200E</i> <i>RMT-TX210E</i>	<i>CEI/UKA</i> <i>CEI/UKA</i>
<b>KD-55XD8005</b>	<i>Black</i>	<i>RMF-TX200E</i>	<i>CEI/UKA/RU3</i>

## Segment: QH2

<i>MODEL</i>	<i>COLOR</i>	<i>COMMANDER</i>	<i>DEST.</i>
<b>KD-43XD8305</b>	<i>Black</i>	<i>RMF-TX200E</i>	<i>CEI/UKA/RU3</i>
<b>KD-49XD8305</b>	<i>Black</i>	<i>RMF-TX200E</i>	<i>CEI/UKA/RU3</i>

# WARNINGS AND CAUTIONS - ENGLISH

---

## CAUTION

These servicing instructions are for use by qualified service personnel only.

To reduce the risk of electric shock, do not perform any servicing other than that contained in the operating instructions unless you are qualified to do so.

## WARNING!!

An isolation transformer should be used during any service to avoid possible shock hazard, because of live chassis.

The chassis of this receiver is directly connected to the ac power line.

## CARRYING THE TV

Be sure to follow these guidelines to protect your property and avoid causing serious injury.

- Carry the TV with an adequate number of people; larger size TVs require two or more people.
- Correct hand placement while carrying the TV is very important for safety and to avoid damages.

## SAFETY-RELATED COMPONENT WARNING!!

Components identified by shading and ! mark on the schematic diagrams, exploded views, and in the parts list are critical for safe operation. Replace these components with Sony parts whose part numbers appear as shown in this manual or in supplements published by Sony. Circuit adjustments that are critical for safe operation are identified in this manual.

Follow these procedures whenever critical components are replaced or improper operation is suspected.

## CAUTION ABOUT THE LITHIUM BATTERY

- Danger of explosion if battery is incorrectly replaced. Replace only with the same or equivalent type.
- Outer case broken battery should not contact to water.

# WARNINGS AND CAUTIONS - FRENCH

---

## ATTENTION!!

Ces instructions de service sont à l'usage du personnel de service qualifié seulement.

Pour prévenir le risque de choc électrique, ne pas faire l'entretien autre que celui contenu dans le Mode d'emploi à moins que vous soyez qualifié à faire ainsi.

## WARNING!!

Afin d'éviter tout risque d'électrocution provenant d'un châssis sous tension, un transformateur d'isolement doit être utilisé lors de tout dépannage. Le châssis de ce récepteur est directement raccordé à l'alimentation du secteur.

## POUR TRANSPORTER LE TÉLÉVISEUR


Tenez compte de ce qui suit pendant l'installation du téléviseur :

- Débranchez tous les câbles avant de transporter le téléviseur.
- Transportez le téléviseur avec le nombre de personnes approprié ; un téléviseur de grande taille doit être transporté par au moins deux personnes.
- Lors du transport du téléviseur, l'emplacement des mains est très important pour votre sécurité, ainsi que pour éviter de causer des dommages.

## ALERTE!!

Afin d'éviter tout risque d'électrocution provenant d'un châssis sous tension, un transformateur d'isolement doit être utilisé lors de tout dépannage. Le châssis de ce récepteur est directement raccordé à l'alimentation du secteur.

## ATTENTION AUX COMPOSANTS RELATIFS A LA SECURITE!!

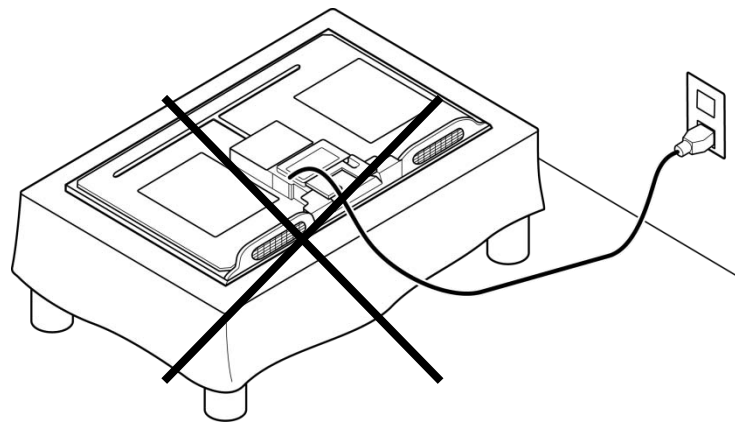
Les composants identifiés par une trame et par une marque  sur les schémas de principe, les vues explosées et les listes de pièces sont d'une importance critique pour la sécurité du fonctionnement. Ne les remplacer que par des composants Sony dont le numéro de pièce est indiqué dans le présent manuel ou dans des suppléments publiés par Sony. Les réglages de circuit dont l'importance est critique pour la sécurité du fonctionnement sont identifiés dans le présent manuel. Suivre ces procédures lors de chaque remplacement de composants critiques, ou lorsqu'un mauvais fonctionnement suspecte.

## USE CAUTION WHEN HANDLING THE LCD PANEL

When repairing the LCD panel, be sure you are grounded by using a wrist band.

When repairing the LCD panel on the wall, the LCD panel must be secured using the 4 mounting holes on the rear cover.

- 1) Do not press on the panel or frame edge to avoid the risk of electric shock.
- 2) Do not scratch or press on the panel with any sharp objects.
- 3) Do not leave the module in high temperatures or in areas of high humidity for an extended period of time.
- 4) Do not expose the LCD panel to direct sunlight.
- 5) Avoid contact with water. It may cause a short circuit within the module.
- 6) Disconnect the AC power when replacing the backlight (CCFL) or inverter circuit. (High voltage occurs at the inverter circuit at 650Vrms.)
- 7) Always clean the LCD panel with a soft cloth material.
- 8) Use care when handling the wires or connectors of the inverter circuit. Damaging the wires may cause a short.
- 9) Protect the panel from ESD to avoid damaging the electronic circuit (C-MOS).
- 10) It is recommended not to exceed 1 hour of Power-On nor Burn-in period with LCD panel face down condition, in repair activity.



# SAFETY CHECK-OUT

---

After correcting the original service problem, perform the following safety checks before releasing the set to the customer:

1. Check the area of your repair for unsoldered or poorly soldered connections. Check the entire board surface for solder splashes and bridges.
2. Check the interboard wiring to ensure that no wires are “pinched” or touching high-wattage resistors.
3. Check that all control knobs, shields, covers, ground straps, and mounting hardware have been replaced. Be absolutely certain that you have replaced all the insulators.
4. Look for unauthorized replacement parts, particularly transistors, that were installed during a previous repair. Point them out to the customer and recommend their replacement.
5. Look for parts which, though functioning, show obvious signs of deterioration. Point them out to the customer and recommend their replacement.
6. Check the line cords for cracks and abrasion. Recommend the replacement of any such line cord to the customer.
7. Check the antenna terminals, metal trim, “metallized” knobs, screws, and all other exposed metal parts for AC leakage. Check leakage as described below.
8. For safety reasons, repairing the Power board and/or Inverter board is prohibited.

## Leakage Test

(To protect electric shock when customer touch the terminal.)

Leakage current can be measured by V: Voltmeter or oscilloscope (r.m.s. or peak reading)

Stabilized power supply instrument and isolated voltage transformer:

Use too much current capacity and isolated voltage transformer does not need to use stabilized power supply equipment

Specification of RMS volt meter: Input resistance > 1 Mohm, Input capacitance < 200 pF,

Frequency range: 15 Hz – 1MHz (Refer Figure A). Isolated type volt -meter (FLUKE 8921A etc \*1)

\*1 Not use FLUKE 8920A that connected to protective earth by diode

# Leakage current of measurement instrument is less than 10 $\mu$ Arms when under test equipment AC plug is opened

# Set up the following condition and turn on the set.

Applied voltage: Nominal input voltage (Description on Nameplate)

# Measure the leakage current between one phase conductor and neutral for terminal A and terminal B.

Read rms value, and then calculate to peak value PEAK VALUE = $\sqrt{2}$  RMS VALUE

Comply with the following requirement

Class II equipment (2-pin plug):

for each terminal, the worst value of measurement must not exceed AC 350 $\mu$ A peak).

Note: including AC adaptor, AC adaptor/DC operated unit combination

## How to Find a Good Earth Ground

A cold-water pipe is a guaranteed earth ground; the cover-plate retaining screw on most AC outlet boxes is also at earth ground.

If the retaining screw is to be used as your earth ground, verify that it is at ground by measuring the resistance between it and a cold-water pipe with an ohmmeter. The reading should be zero ohms.

If a cold-water pipe is not accessible, connect a 60- to 100-watt trouble- light (not a neon lamp) between the hot side of the receptacle and the retaining screw. Try both slots, if necessary, to locate the hot side on the line; the lamp should light at normal brilliance if the screw is at ground potential (see Figure B).

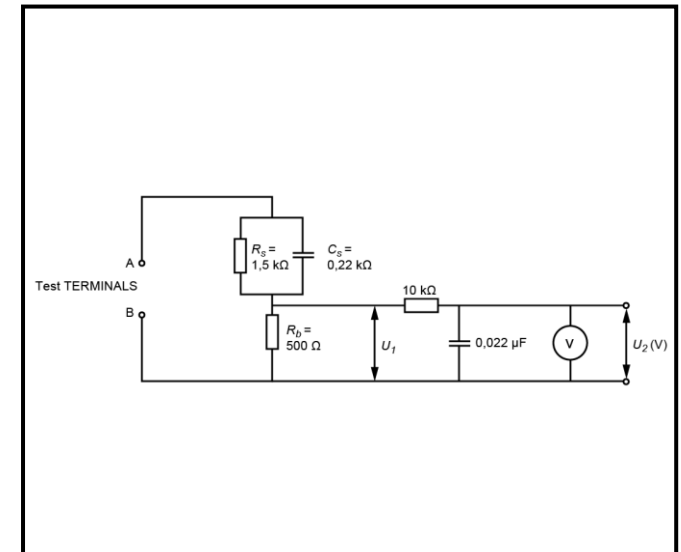


Figure A. Measuring network for Leakage Current

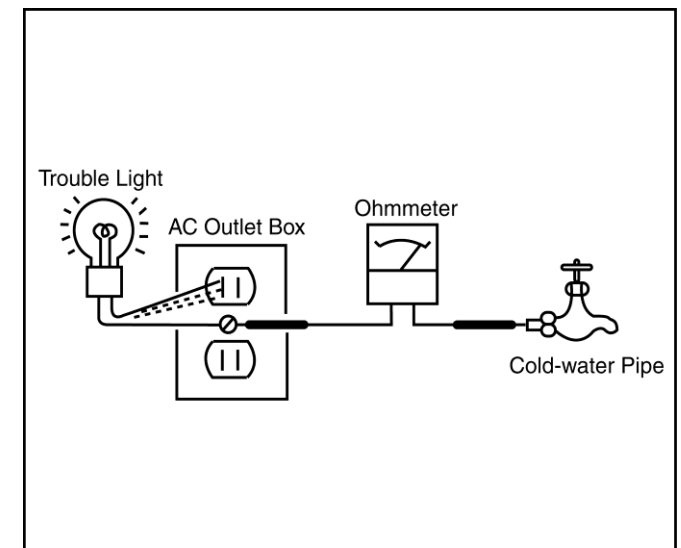


Figure B. Checking for earth ground.

# SELF DIAGNOSIS FUNCTION

The units in this manual contain a self-diagnostic function. If an error occurs, the Smart Core Red LED will automatically begin to flash.

The number of times the LED flashes translates to a probable source of the problem.

A definition of the Smart Core Red LED flash indicators is listed in the instruction manual for the user's knowledge and reference.

If an error symptom cannot be reproduced, the remote commander can be used to review the failure occurrence data stored in memory to reveal past problems and how often these problems occur.

## DIAGNOSTIC TEST INDICATORS

When an error occurs, the Smart Core Red LED will flash a set number of times to indicate the possible cause of the problem.

If there is more than one error, the LED will identify the first of the problem areas.

Result for all of the following diagnostic items are displayed on screen.

If the screen displays a "0", no error has occurred .

<G>: Power supply board, <B>: Main board, <T>: T-con board, <LD> LD board (if AC adapter model, it would power supply for Set),  
 <P>: Panel module <S>: Speaker <A>: Power Adapter, <D>: 4KBE + audio board (w/ 4KBE only), <Tu>: Tuner board (w/o 4KBE only)

RED LED blinking count	Detection Items
2x	<B/G/A> Main 12V over voltage [MAIN_POWER]
3x	<B> Main 5.0V failure [DC_ALERT]
	<B/S> Audio amp. protection [AUD_ERR]
4x	None
5x	<P/T/G/B> <i>Panel ID EEPROM I2C No ACK (Also panel power failure is a suspect)</i> [P_ID_ERR]
6x	<G/P/B/LD> Backlight failure [BACKLIGHT]
7x	Over temperature protection [TEMP_ERR]
	<B> Temp. sensor I2C No ACK [TEMP_ERR]
8x	None

Below items are not included in the "RED LED count" but will be recorded as an error and will be shown on the self diagnostic Screen display on the following page.

Record Only Item	Detection Items
TU_DEMOD	<B/Tu> Tuner & Demodulator I2C communication failure Tuner board set detect
TCON_ERR	None
FRCTC_I2C	<T> <i>FRC device is not finished Initial sequence</i> FRC device I2C communication failure

*Blue italic:* detect at startup sequence only.



[SELF DIAGNOSTIC SCREEN DISPLAY]

**Format of error timestamps**

YYMMDDhhmmss (in UTC)

Example:

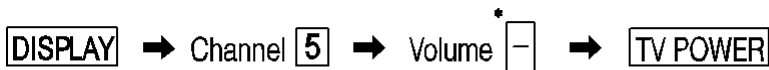
120823132523 -> Aug 23 2012 13:25:23 UTC

\* Only when time is set, an error timestamp is saved.

- Panel Operation Time is recorded every 30 min, but Total Operation Time is recorded every 1 hr. Therefore, the panel op. time might become larger than the total op. time.

Total Operation Time [hr] – Boot Count – Panel Operation Time [hr]

For errors with symptoms such as “power sometimes shuts off” or “screen sometimes goes out” that cannot be confirmed, it is possible to bring up past occurrences of failure for confirmation on the screen: In standby mode, press buttons on the remote commander sequentially in rapid succession as shown below:



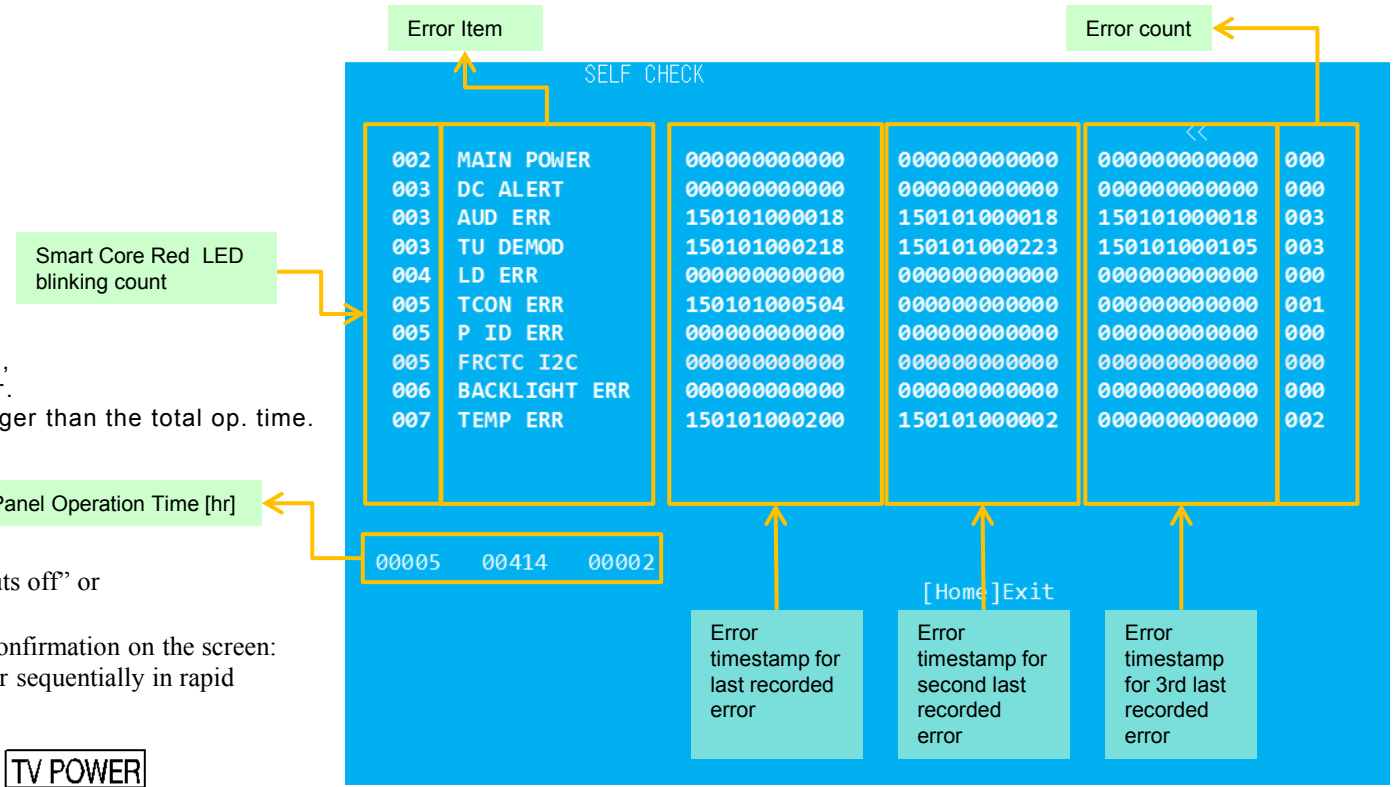
\* : Note that this differs from entering the service mode (volume +)

Since the diagnostic results displayed on the screen are not automatically cleared, always check the self-diagnostic screen. After you have completed the repairs, clear the result display to “0”.

- Panel Operation Time clear : Press the Channel 7 => Channel 0 .
- Timestamps and Error Count clear : Press the Channel 8 => Channel 0 .
- Total Operation Time and Boot Count clear: Press the Channel 9 => Channel 0 .

To exit the Self Diagnostic screen...

- \*If you want to finish service mode app, do AC OFF/ON →Service mode app is disable perfectly
- \*if you want to move home menu, push <HOME>button →Service mode app do background(not disable perfectly)



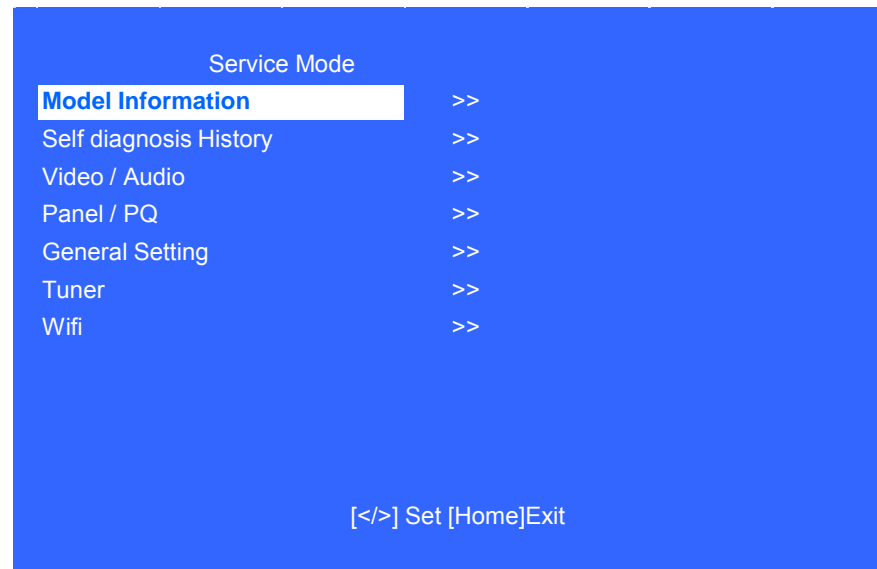
# ADJUSTMENT

## HOW TO ENTERING SERVICE MODE

- 1) Turn on the main power switch to place the set in standby mode.
- 2) Press the buttons on the remote commander as follows, and entering service mode.

DISPLAY → Channel 5 → Volume + → TV POWER

- 3) Service mode display.



- 4) How to use the remote commander.

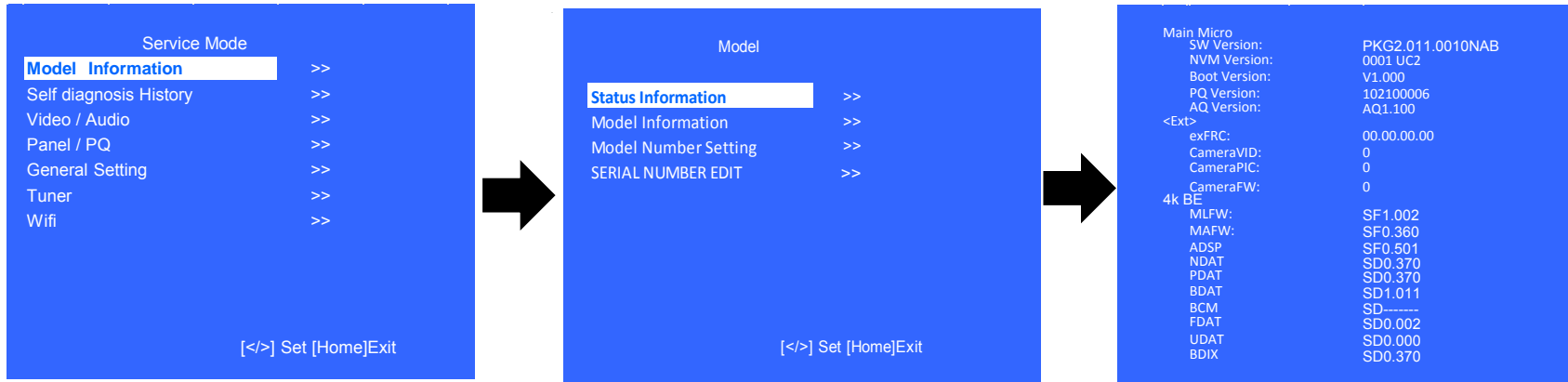
Function	The flow of control
Service mode on	<Display><5><Vol Up><Power>
Service mode off	AC plug OFF/Menu*
Item up / down	<↑>/ <↓>
Item select left/right	<←>/<→>
Execute	<OK>

\*When finished the operation of service mode , please AC Plug OFF/ON the TV set.

If you don't do AC plug OFF/ON, remain the Service Mode App and User can see the Service Mode after RC ON.  
(Refer the previous page.)

**SOFTWARE VERSION**

1) In Service Mode, select “Model Information”, press “Enter” or “→” button to enter Status Information.

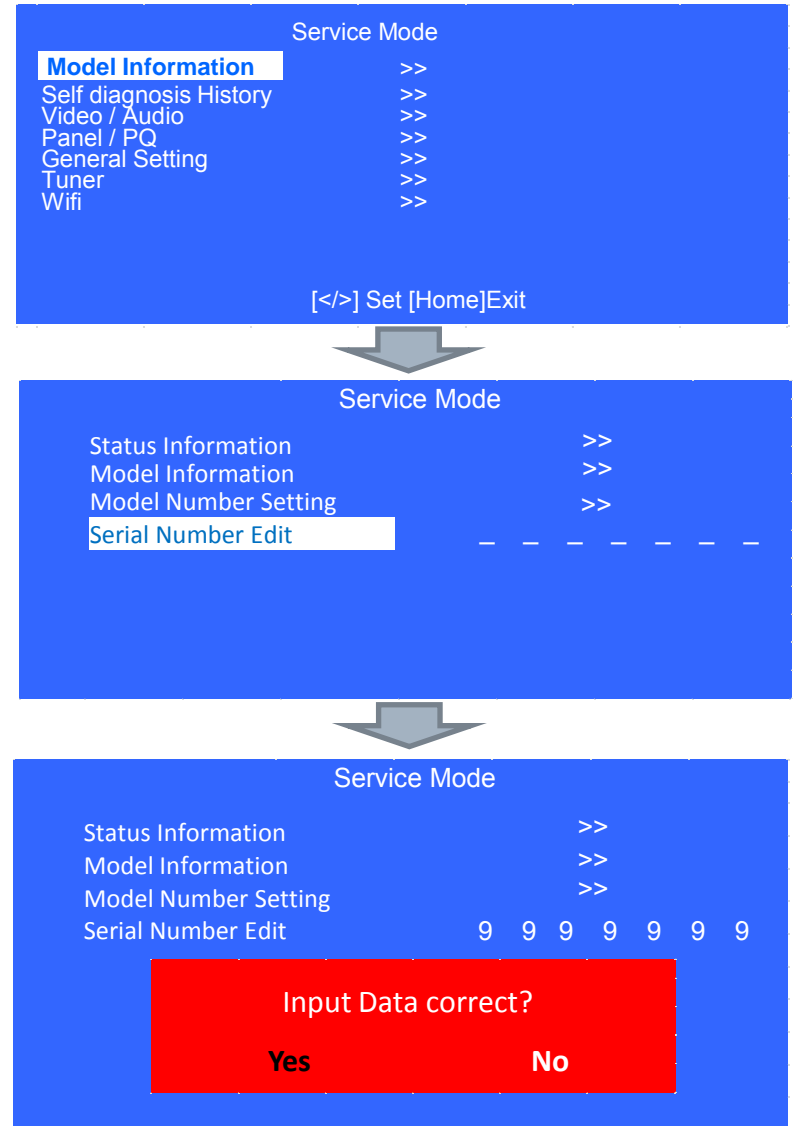


2) Press “Enter” or “Return” button to return to Service Mode.



**SERIAL NUMBER EDIT (1)**

- 1) In “Service Mode”, select “Model Information” by pressing “↑” or “↓” then pressing “Enter” or “→” button to enter inside.
  - 2) Select “Serial Number Edit” by pressing “↑” or “↓” button then pressing “→” button.
  - 3) Press “↑” or “↓” to input numbers.
  - 4) After user input data , press <Enter> .
    - Pop-up dialog appear to confirm input data correct
    - **Serial Number can be set ONLY ONCE**
  - 5) Press “→” or “←” button to select YES or NO.
    - Select YES if input data is correct.
    - Select NO if input data is incorrect.
- Press <Enter> to save answer.

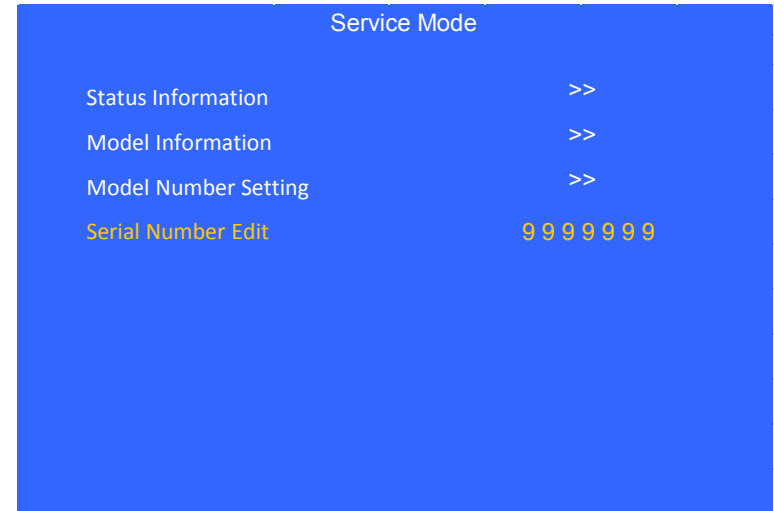


**SERIAL NUMBER EDIT (2)**

If **YES is selected**, the input data is saved into EEPROM.

SERIAL NUMBER EDIT is greyed out and the serial number that has been input is displayed.

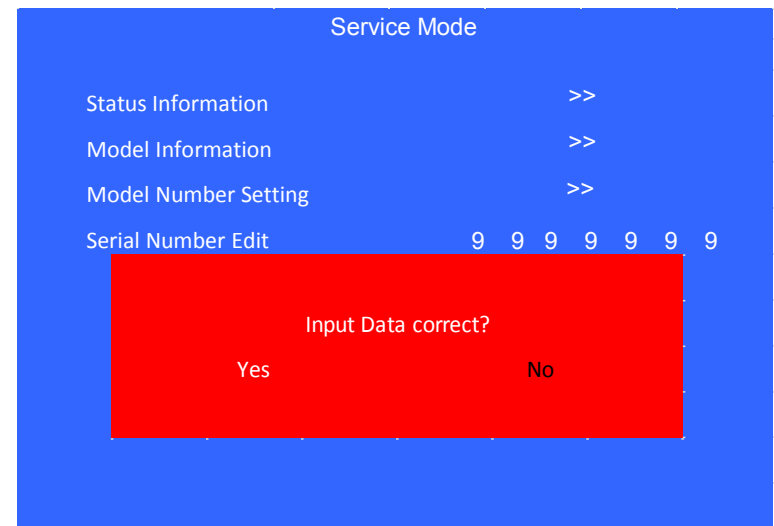
User will **not be able to edit** anymore.



If **NO is selected**, the input data is not saved into EEPROM.

The serial number that has been input is displayed.

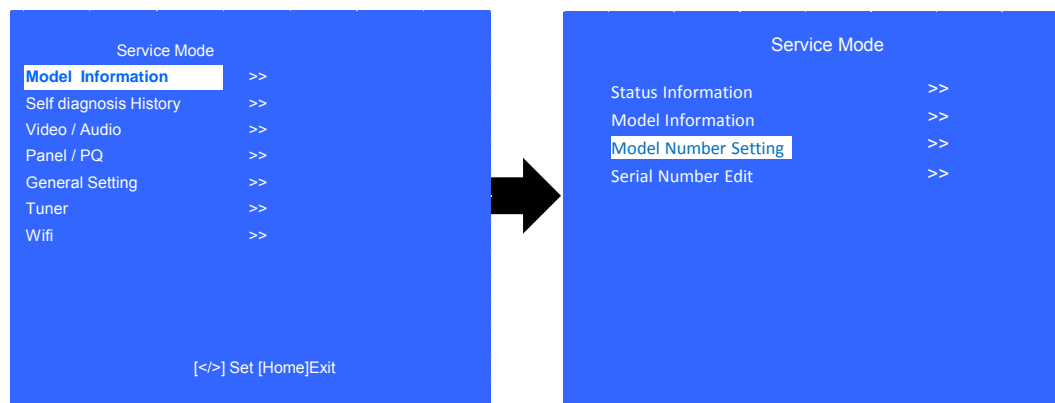
User can still edit the Serial Number.



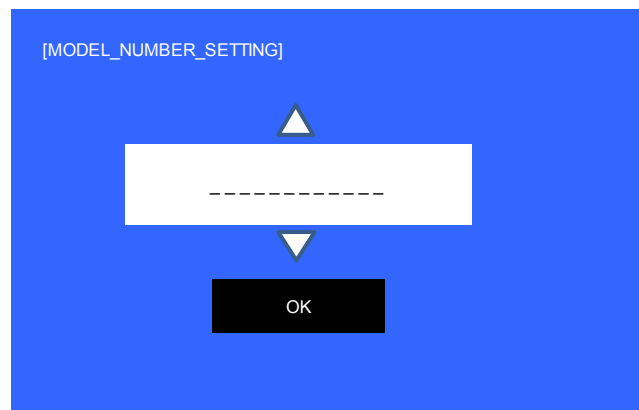
## MODEL NUMBER SETTING

- 1) In “Service Mode”, select “Model Information” by pressing “↑” or “↓” then pressing “Enter” or “→” button to enter inside.
- 2) Select “Model Number Setting” by pressing “↑” or “↓” button then pressing “Enter” or “→” button.
- 3) Press “↑” or “↓” arrow key to scroll Product Name Candidate.

➤ (e.g. KDL-40X500B CO1, KDL-40X500C BR6)



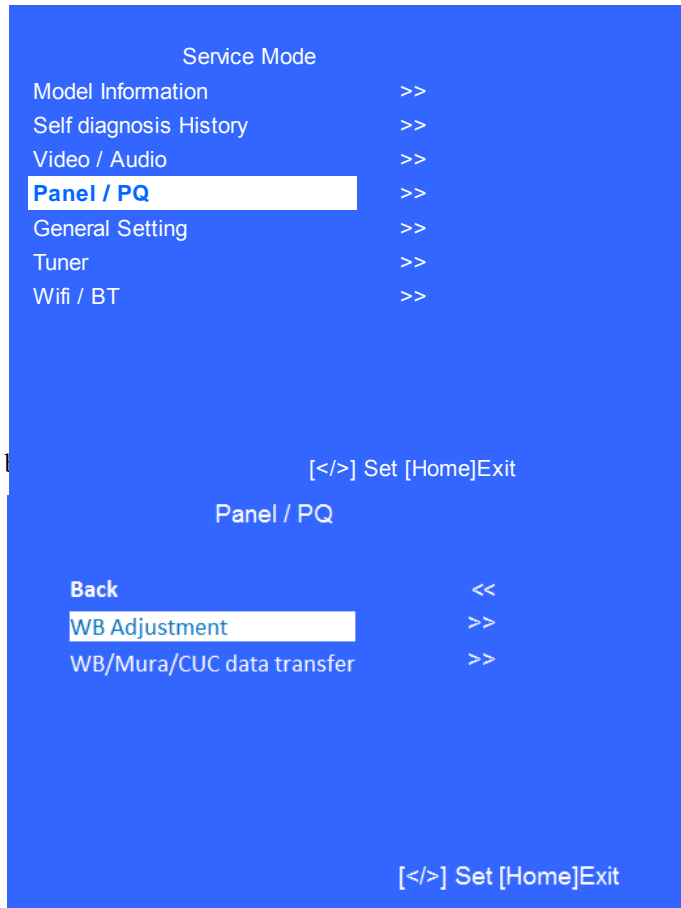
- 4) Select one Product Name from the list, press <Enter> will pop dialog to inform user to confirm data. Model dependent settings will be overwritten into EEPROM.



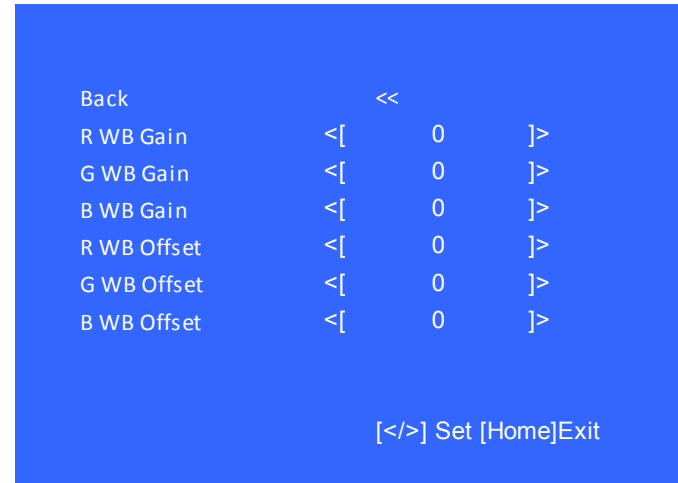
**WB ADJUSTMENT**

In “Panel/PQ” service mode.

a. Go to “WB Adjustment” category by “↑” or “↓”.



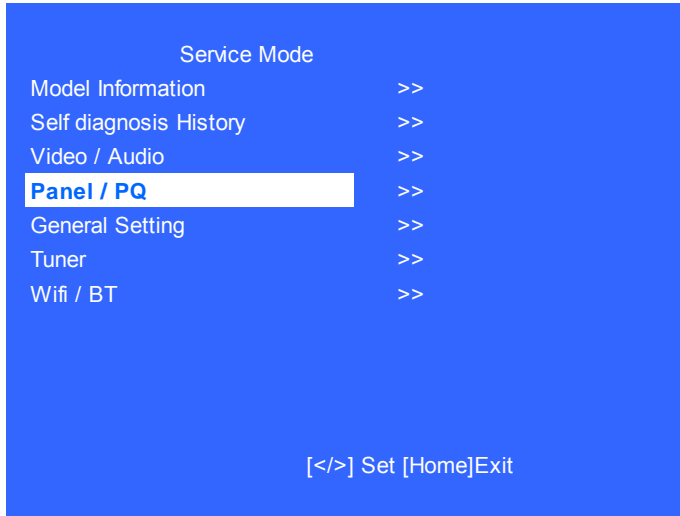
c. To change data , press “←” or “→” on remote commander.



**WB/MURA/CUC DATA TRANSFER**

(Please apply after Main board, Panel or T-Con is replaced.)

1. In “Panel/PQ” service mode.
  - a. Go to “WB/Mura/CUC data transfer” category by “↑” or “↓”.

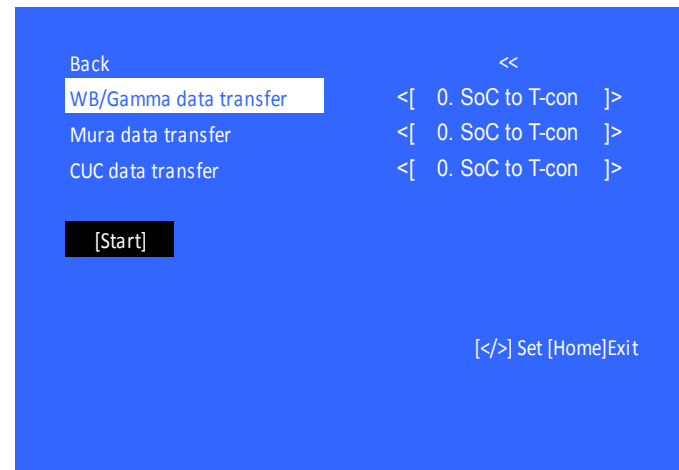


2. In “WB/Mura/CUC data transfer”.
  - a. Select “WB/Gamma data transfer” by pressing “↑” or “↓” on remote commander.
  - b. To change the items, press “←” or “→” on remote commander and press “Enter” button.

**Selectable items are:**

0. SoC to T-con
1. T-con to SoC
2. No action

- c. Select “[start]” and press “Enter” button to start transfer.



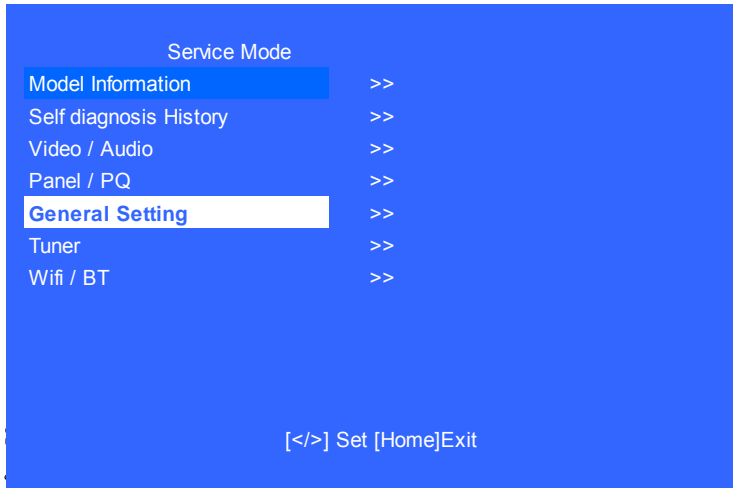
\*Please refer to another manual “Service Procedure for Panel, Board and Software Change / Upgrade(P/N:98881800x)” for details.

	B-board replace	T-con replace	Panel replace
WB/ Gamma	1.T-con to SoC	0.SoC to T-con	0.SoC to T-con
Mura	1.T-con to SoC	0.SoC to T-con	1.T-con to SoC
CUC	1.T-con to SoC	0.SoC to T-con	1.T-con to SoC

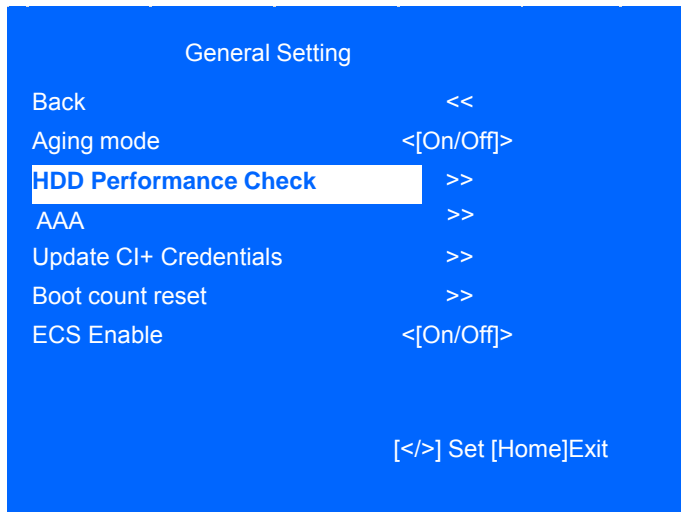


**HDD PERFORMANCE CHECK**

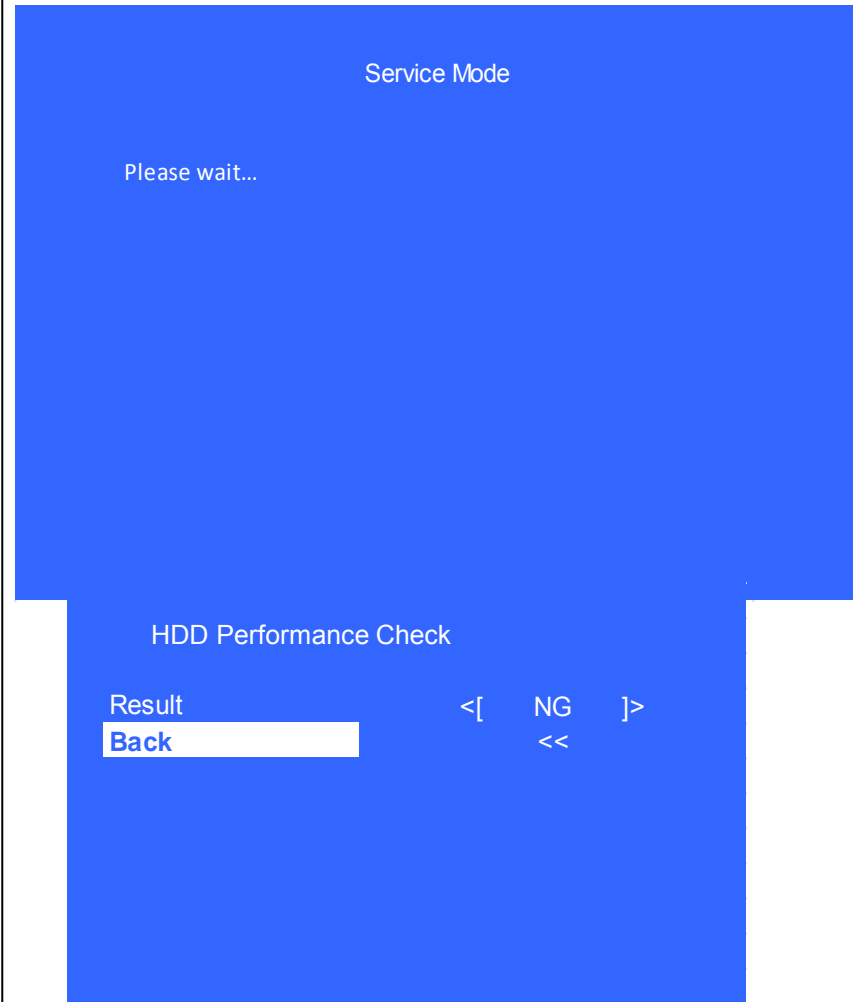
1. In "Service Mode", select "General Setting" by pressing "↑" or "↓" then pressing "Enter" or "→" button to enter inside.



2. Pressing [Enter] or [→] button to enter inside.

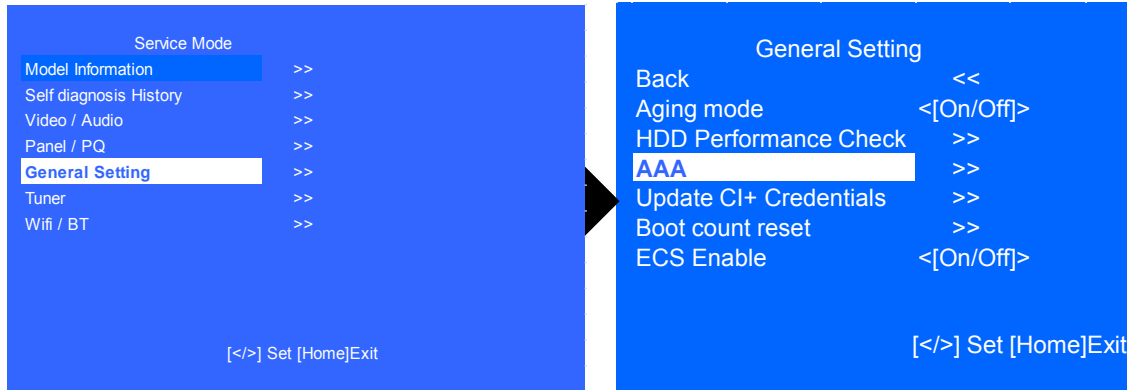


3. A message "Please wait ..." is displayed during performance check processing.

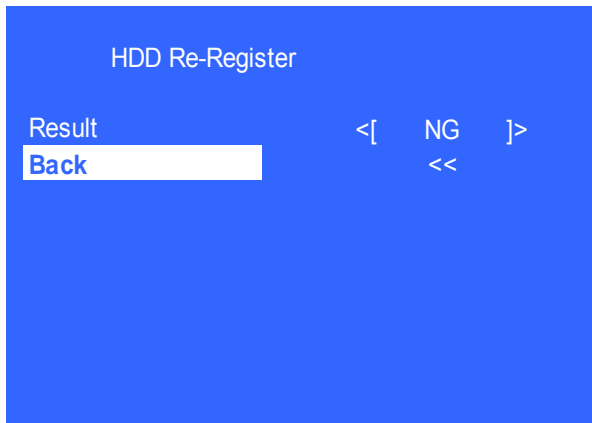


**HDD RE-REGISTRATION**

- 1) In “Service Mode”, select “General Setting” by pressing “↑” or “↓” then pressing “Enter” or “→” button to enter inside.
- 2) Select “AAA” by pressing “↑” or “↓” then pressing “Enter” or “→” button to enter inside.

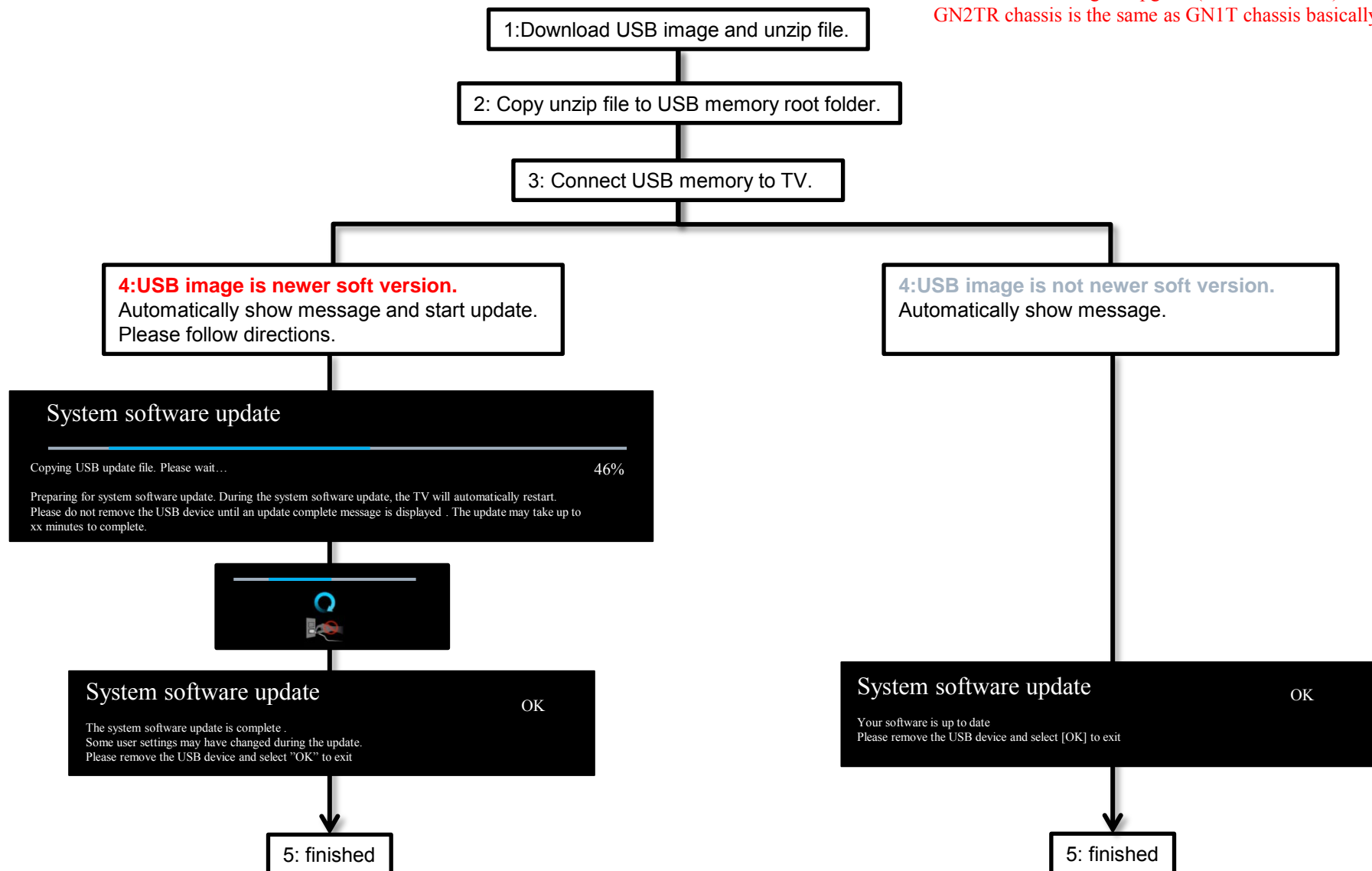


- 3) Result **OK** or **NG** will be displayed after HDD re-registration is succeed/failed.



# USB UPDATE

\*Please refer to another manual “Service Procedure for Panel, Board and Software Change / Upgrade(P/N:98881800x)” for details.  
GN2TR chassis is the same as GN1T chassis basically.



# TROUBLE SHOOTING

## TRIAGE

1. Confirm the symptom from the customer.
2. Select that symptom from the chart.
3. Bring all the boards and cables listed for that symptom.
4. Follow the troubleshooting charts in the technical guides to isolate the board.
5. Chart Color Code.

RED DOT: Most likely defective part

BLUE TRIANGLE: Secondary possible defective part

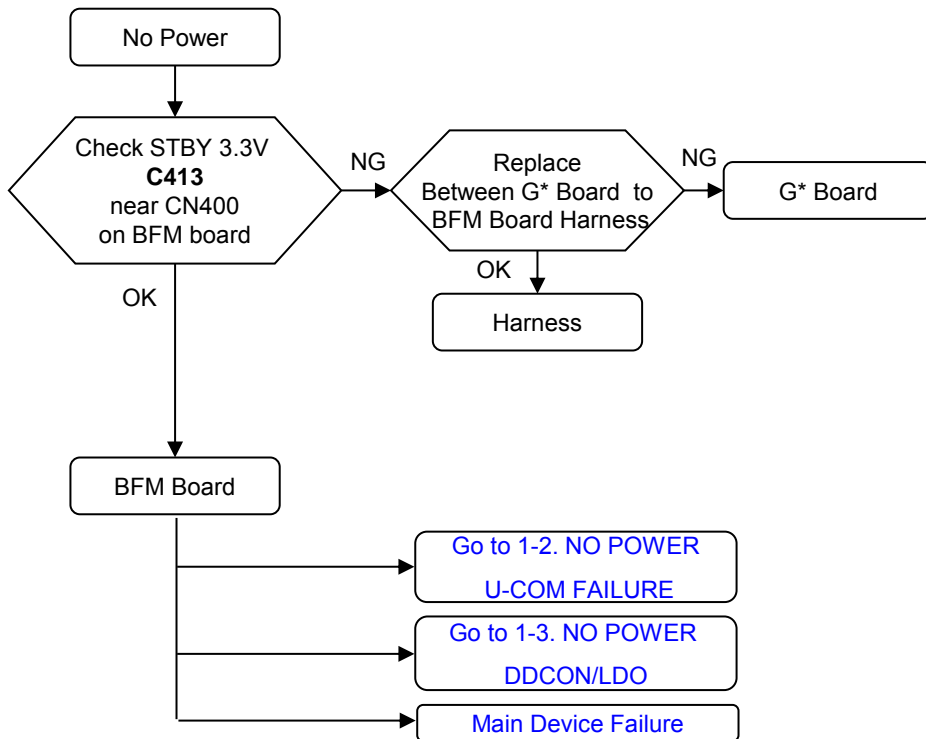
BLACK TEXT: Board that may correct the symptom

Reference	Symptoms - Shutdown. Power LED blinking red diagnostics sequences							Symptoms - no shutdown Error log record only				No Power	Video - missing or distorted				Remote	Network	Audio	Smart Core	Bluetooth (BT)
	2	3	4	5	6	7	8	TU_DEMOD	TCON_ERR	FRCTC_I2C	AUD_ERR_I2C	No White Power LED & does not respond to remote (Dead Set)	Stationary colored lines or dots	No video One of Inputs	NO RF input	No video all Inputs	No Remote	Wireless can't connect	No Audio	Smart Core no LED (Set is still alive)	Bluetooth / One Step Remote (OSR) can't connect
B* Board	▲	●		▲	▲	●		▲		▲		▲	▲	●	●	●	▲	▲	●	▲	▲
DPA Board (QX only)																					
G* Board/ADP	●	▲		▲	●							●							▲		
H* Board												▲					●		●		
Speaker		▲																●			
Tuner board (Except QX)								●						●							
Wifi & BT Module																		●			●
LD* Board	●	▲		▲	●							●							▲		
V By One FFC				▲						▲			▲								
Tcon				●						●			▲								
LCD Panel				●	●								●								▲
Problem	Power	Power	LD	Panel (Communication)	Panel (Backlight)	TEMP	4KBE														
		Audio																			

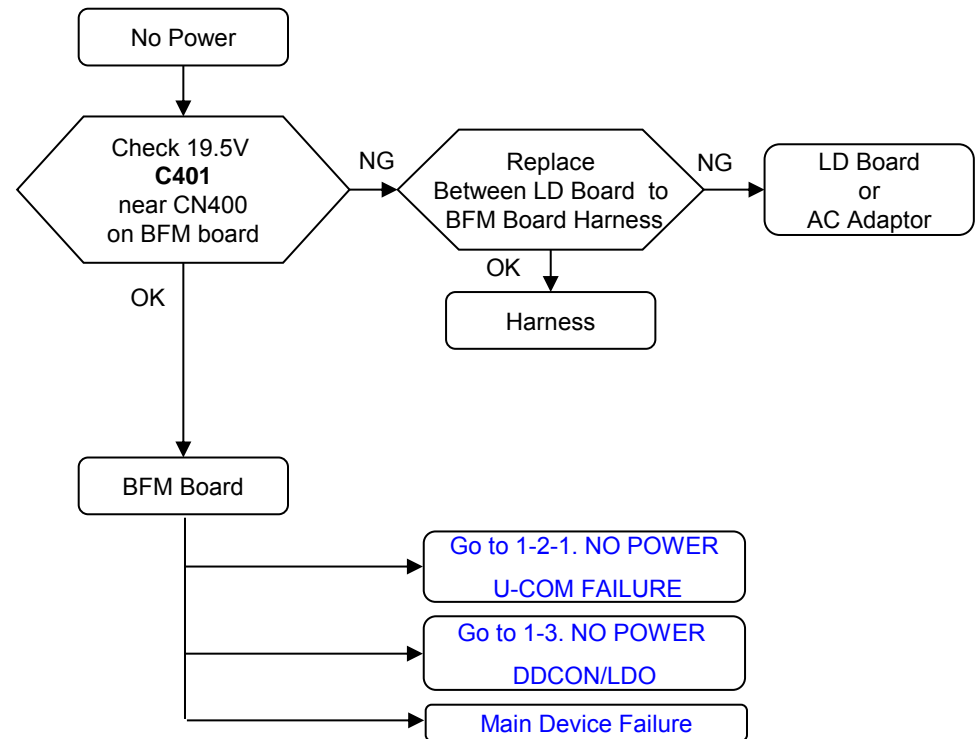
**FLOW**

**1-1. NO POWER**

with G\* board

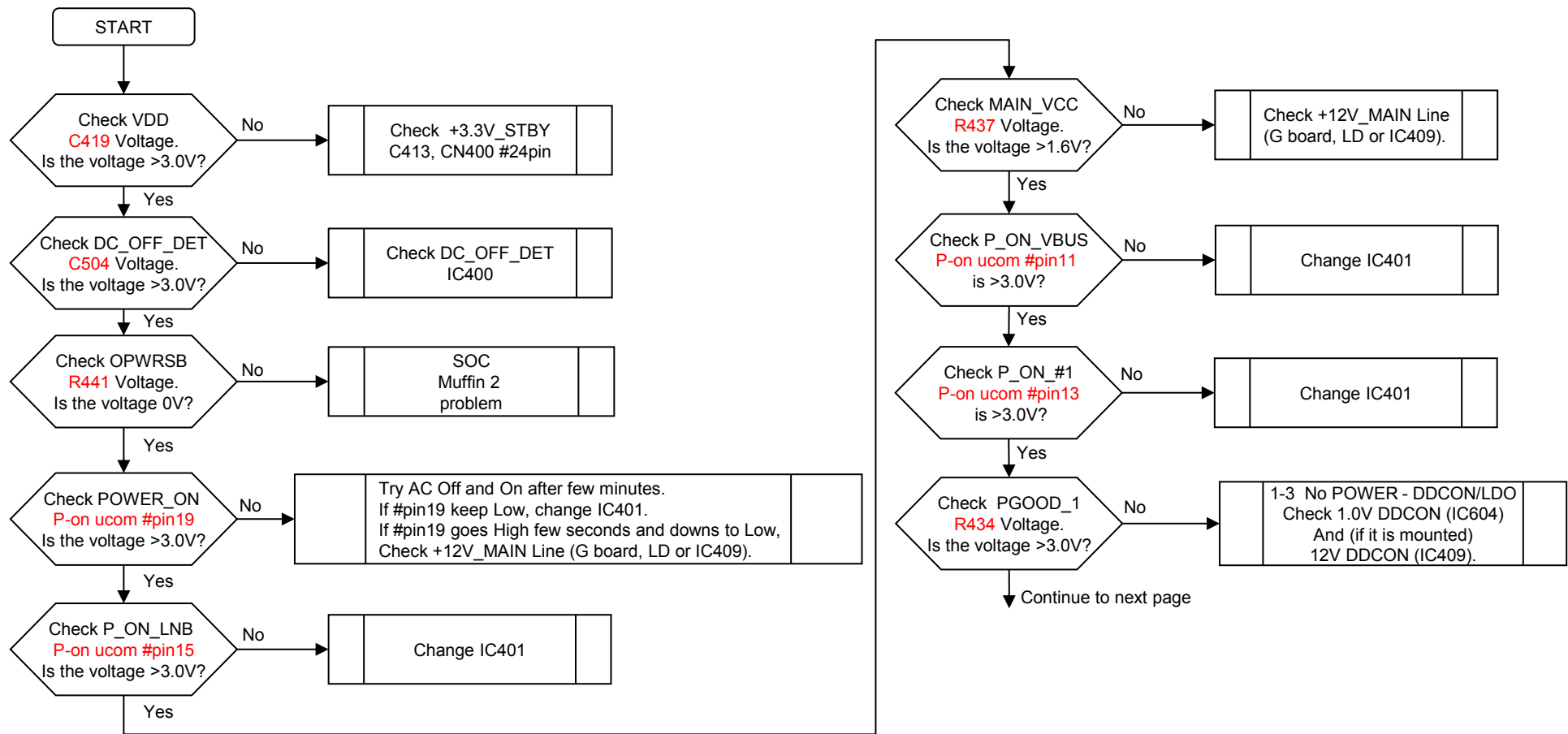


with AC-Adaptor



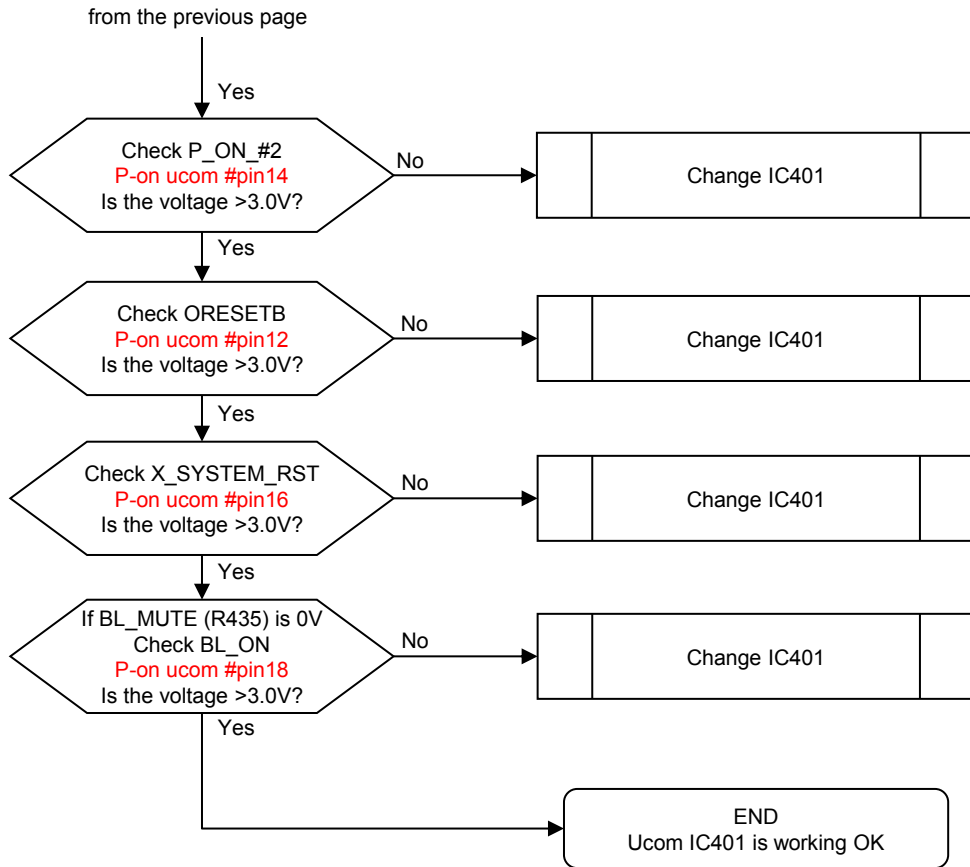
**FLOW**

**1-2-1. NO POWER U-COM FAILURE**

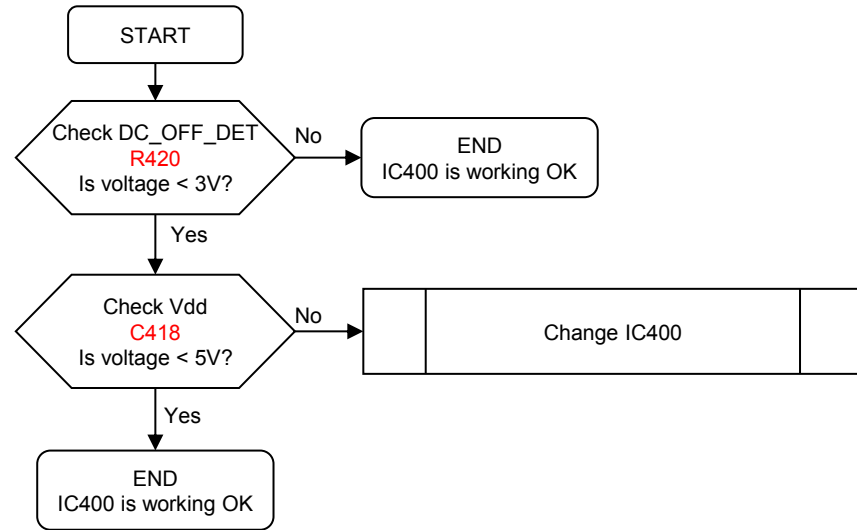


**FLOW**

**1-2-1. NO POWER U-COM FAILURE**



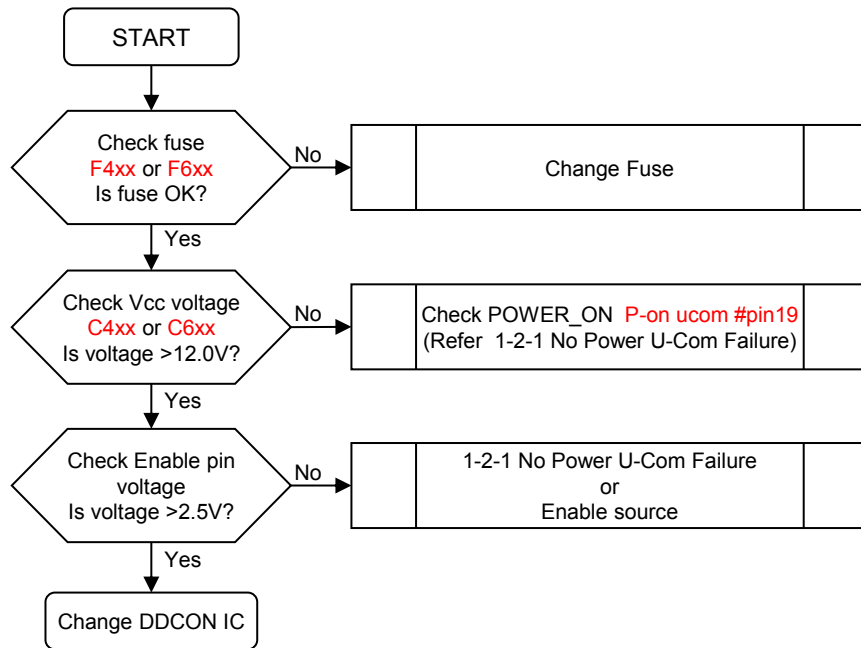
**1-2-2. NO POWER DC\_OFF\_DET check**



**FLOW**

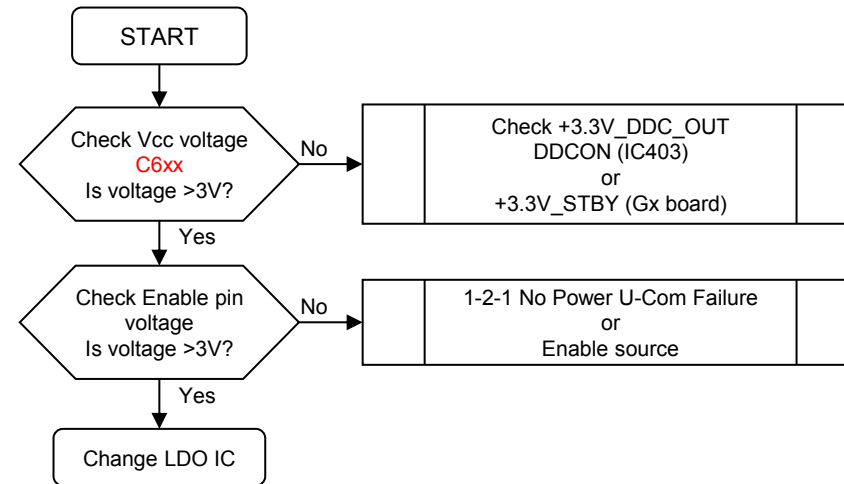
**1-3. NO POWER DDCON/LDO**

DDCONs check



IC Ref	Voltage supply
IC402	+5.0V_VBUS
IC403	+3.3V_DDC_OUT
IC404	+5V_MAIN
IC405	+1.8V_TU
IC409	+12V_MAIN (AEP/J AC-ADP only)
IC604	+1.0V_M2

LDOs check



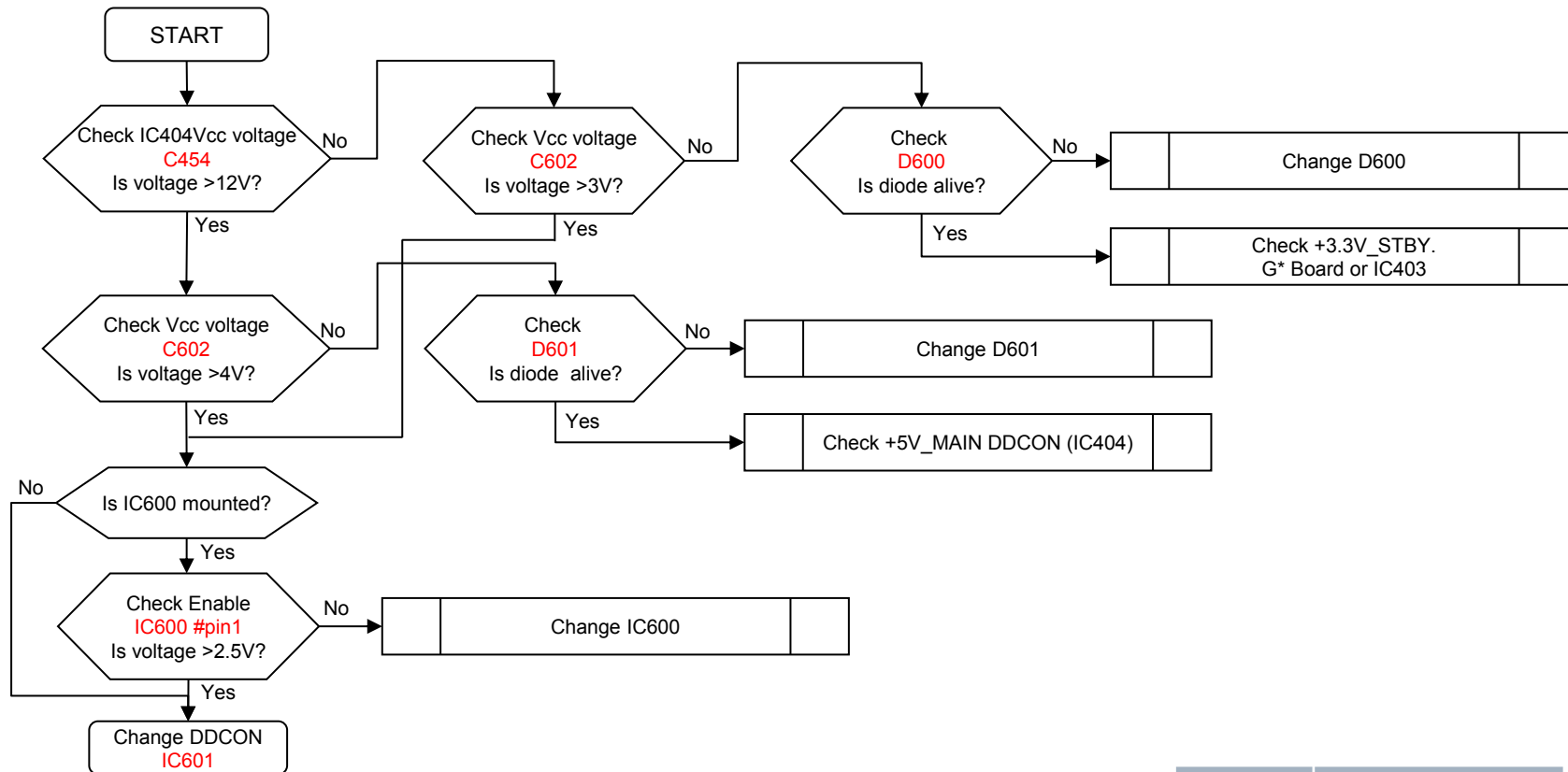
IC Ref	Voltage supply
IC602	+1.05V_M2_STBY
IC603	+1.05V_M2_A_1
IC605	+1.05V_M2_ST_ET
IC606	+1.05V_M2_A_2



**FLOW**

**1-3. NO POWER DDCON/LDO**

DDCON check

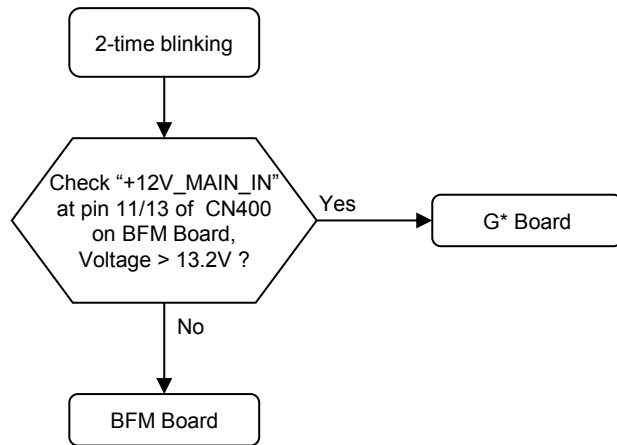


IC Ref	Voltage supply
IC601	+1.5V_DDR

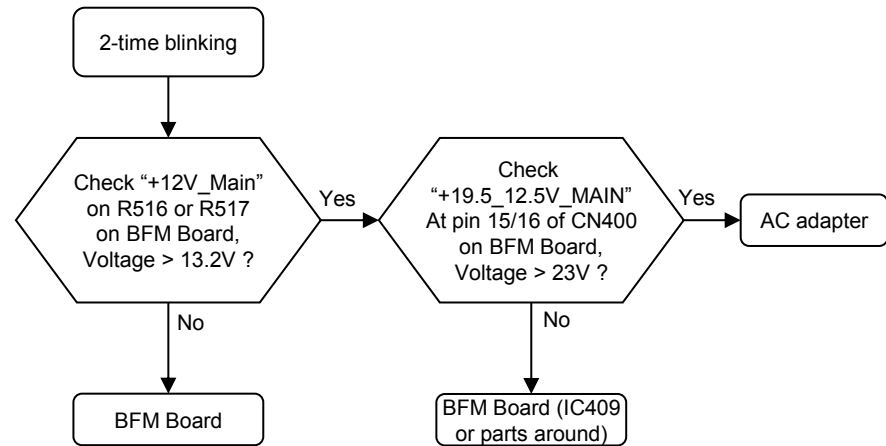
**FLOW**

**2-1. LED BLINKING 2X (MAIN POWER ERROR)**

with G\* board



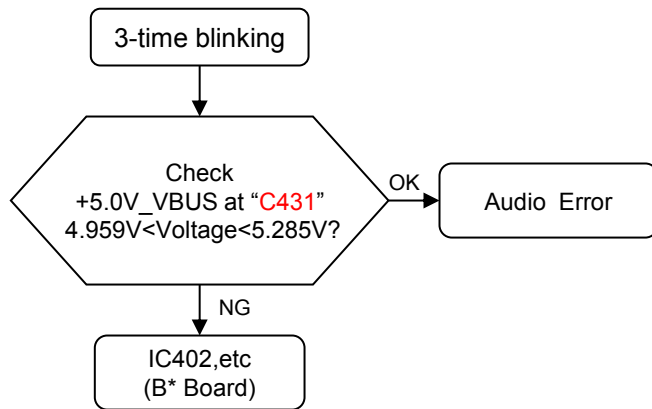
with AC-Adaptor



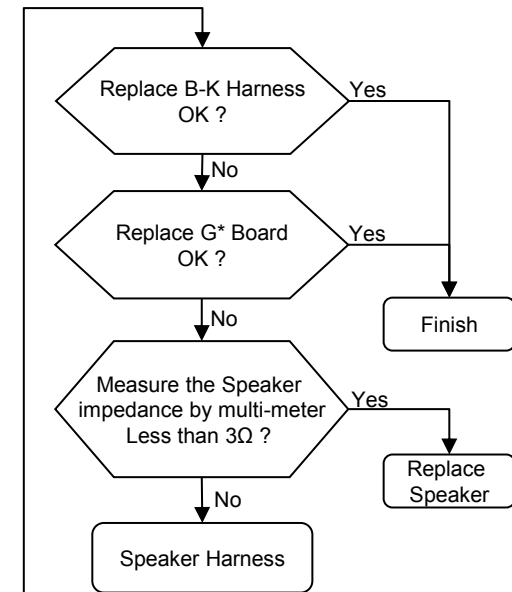
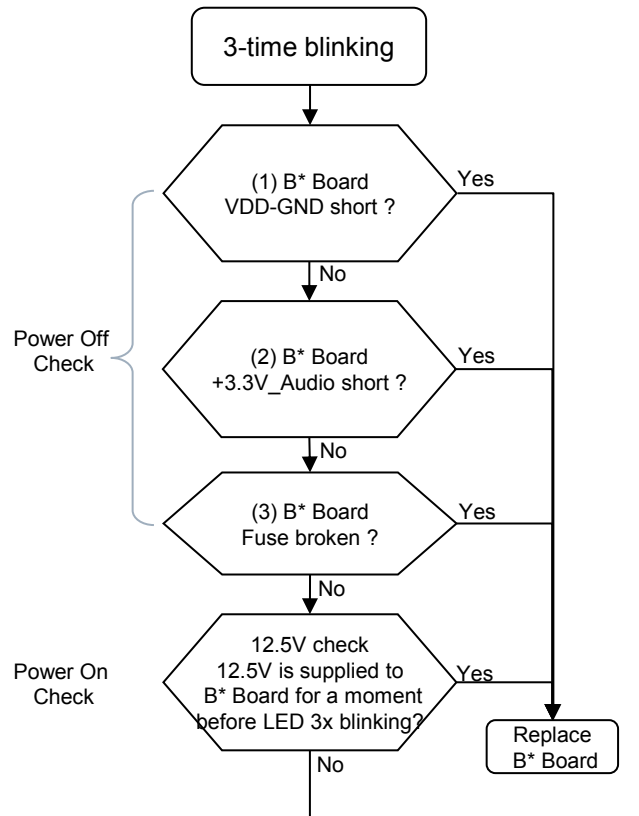
FLOW

2-2. LED BLINKING 3X (DC ALERT AND AUDIO ERROR)

DC\_ALERT



AUDIO ERROR



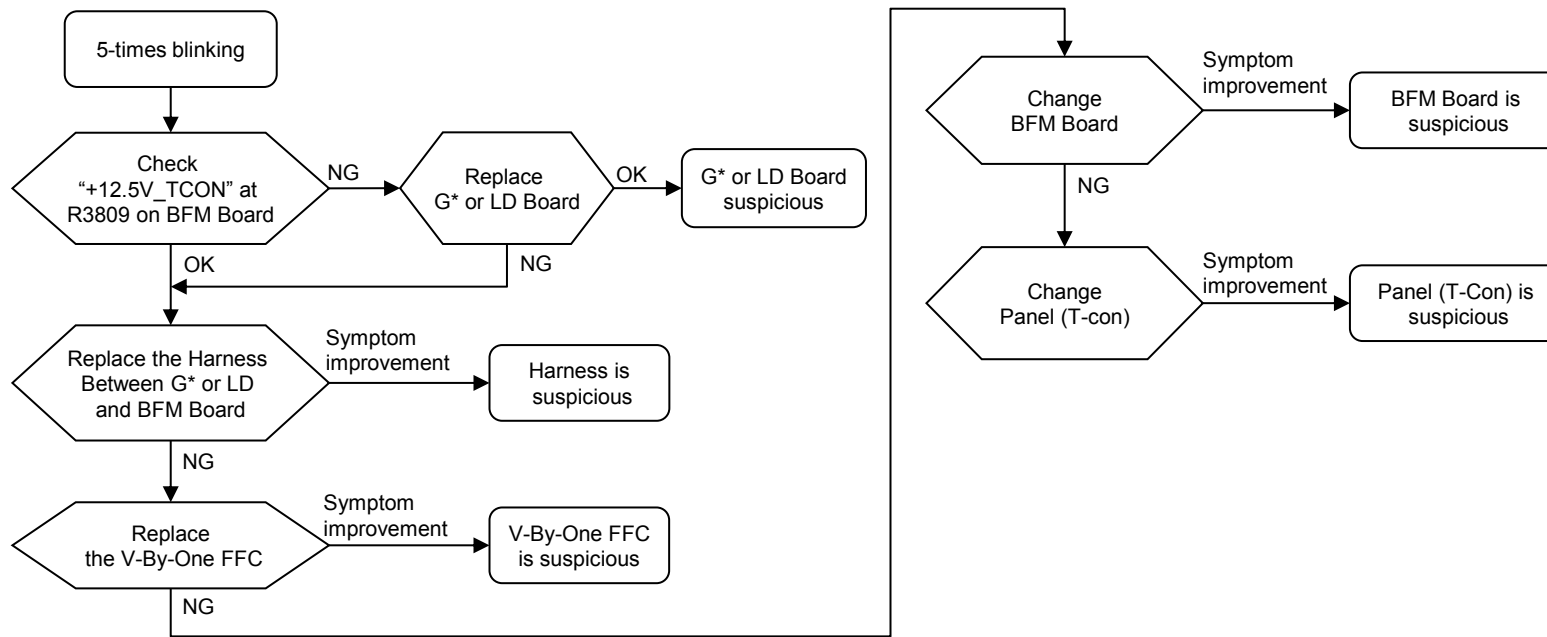
(1) VCCP-GNDP short check  
Measure impedance between VDD and GND at C3267.  
If impedance is <math><100\Omega</math> → NG

(2) +3.3V\_Audio out short check  
Measure impedance between R478(any end) and GND.  
If impedance is <math><100\Omega</math> → NG

(3) Fuse open check  
Measure impedance of fuse F3201 (with 12.5V)  
If fuse open → NG

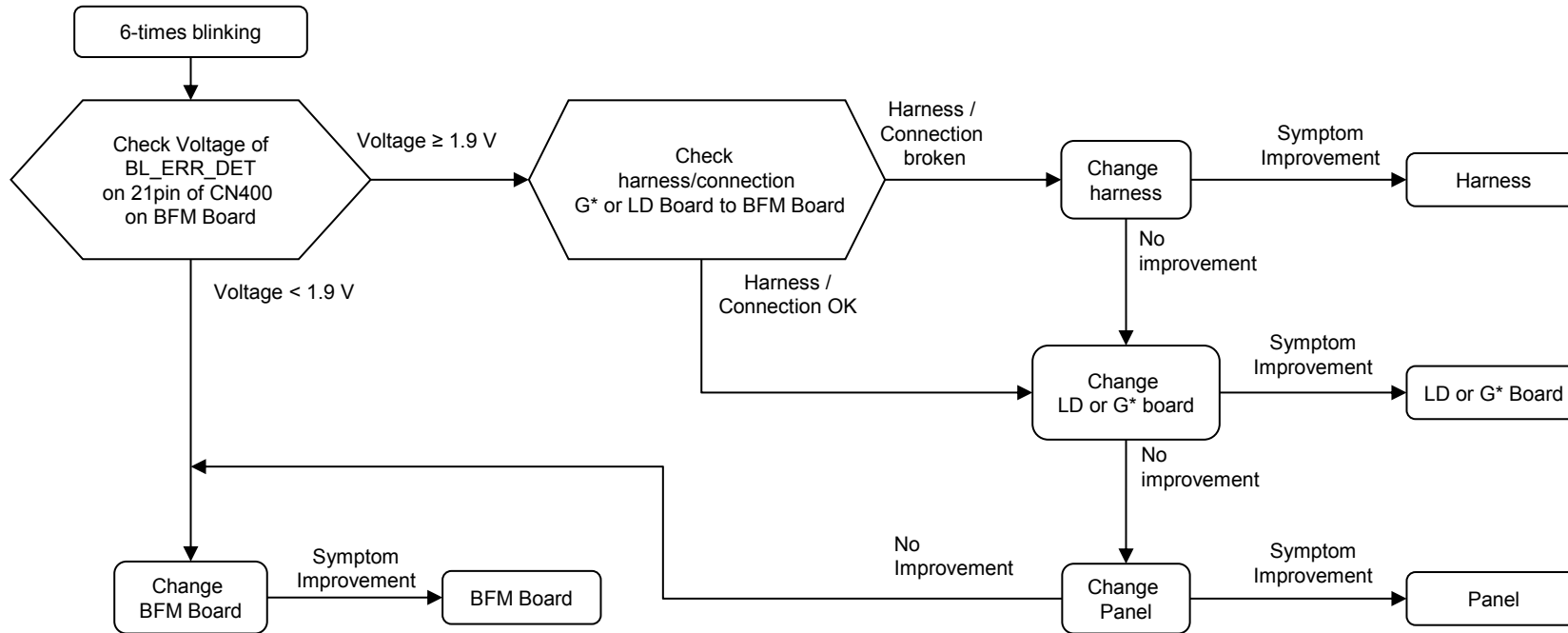
**FLOW**

**2-3. LED BLINKING 5X (PANEL COMMUNICATION ERROR)**



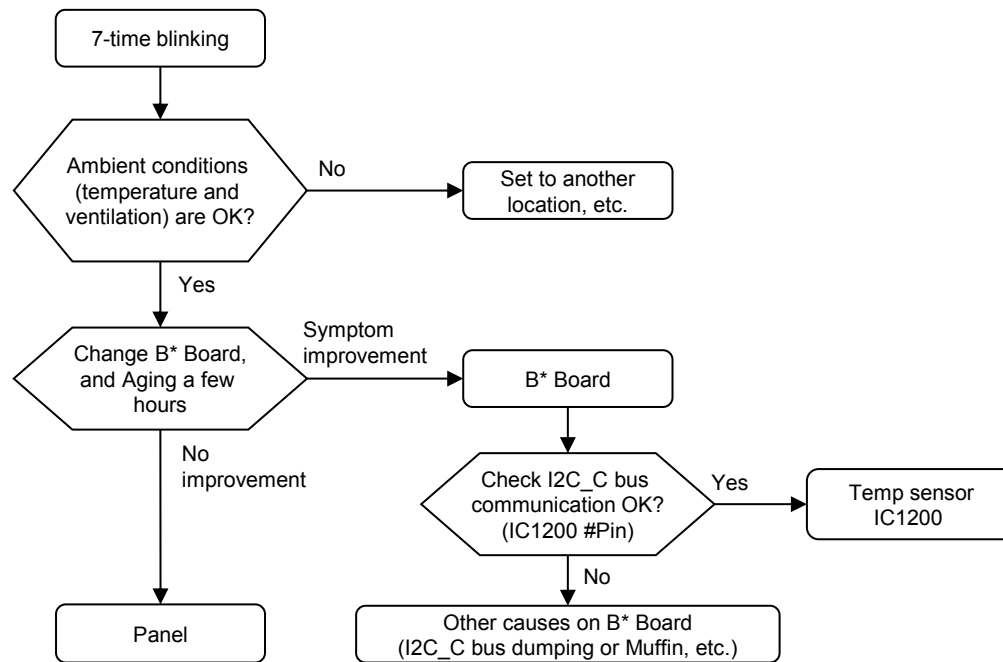
**FLOW**

**2-4. LED BLINKING 6X (BACKLIGHT ERROR)**



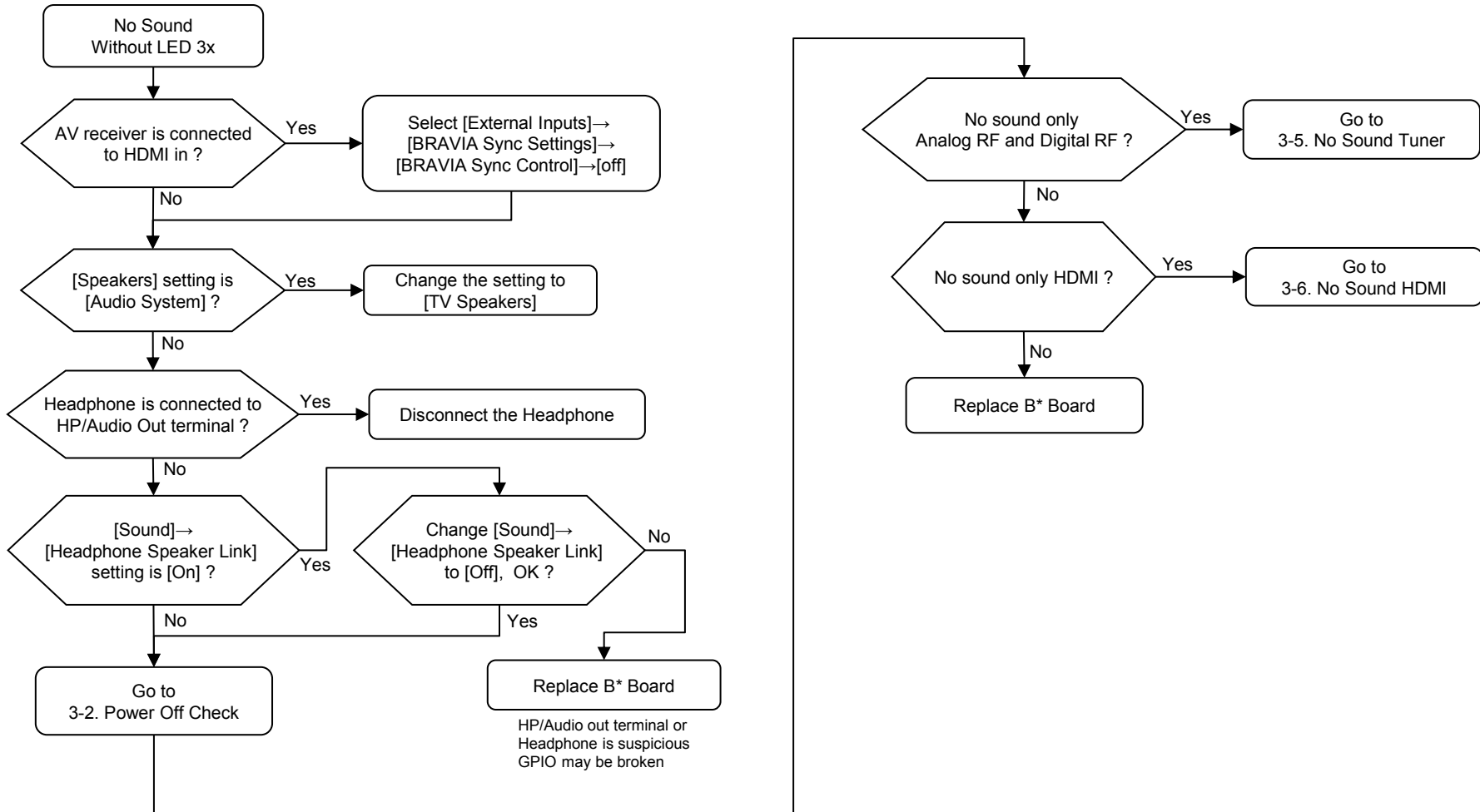
## FLOW

## 2-5. LED BLINKING 7X (TEMPERATURE ERROR)



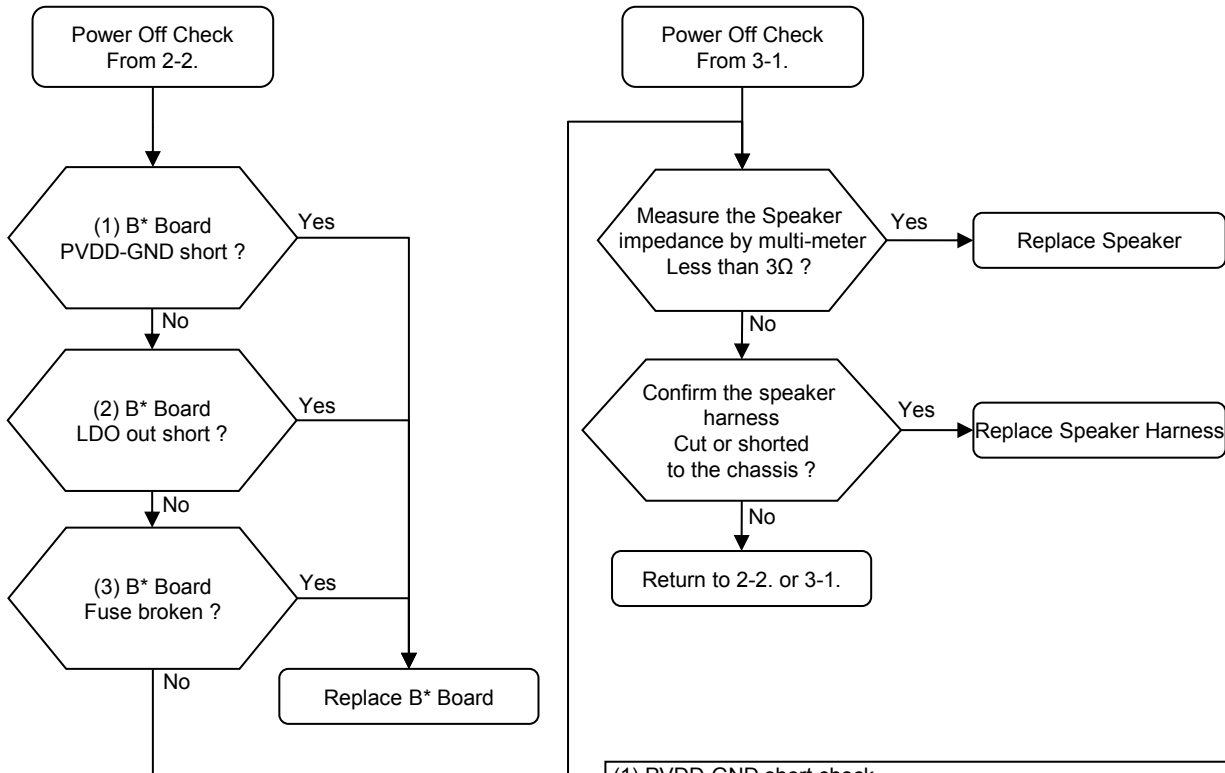
FLOW

3-1. NO SOUND



**FLOW**

**3-2. NO SOUND (POWER OFF CHECK)**

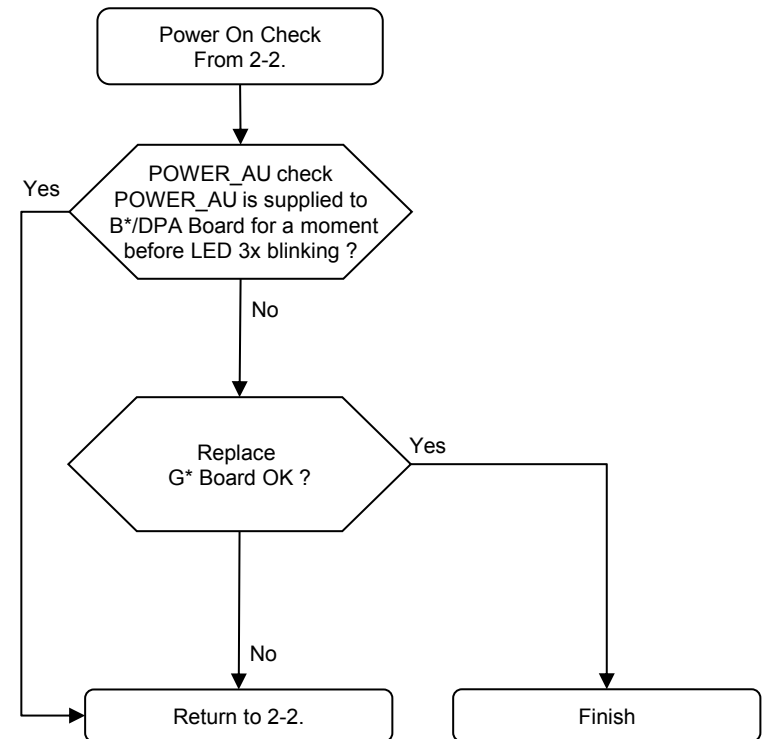


(1) PVDD-GND short check  
 Measure impedance between PVDD and GND at C3262.  
 If impedance is <math>< 100\Omega</math> → NG

(2) LDO out short check  
 Measure impedance between +3.3V and GND at R3242.  
 If impedance is <math>< 100\Omega</math> → NG

(3) Fuse open check  
 Measure impedance of fuse F3201 5A (12.5V or 19.5V)  
 If fuse open → NG

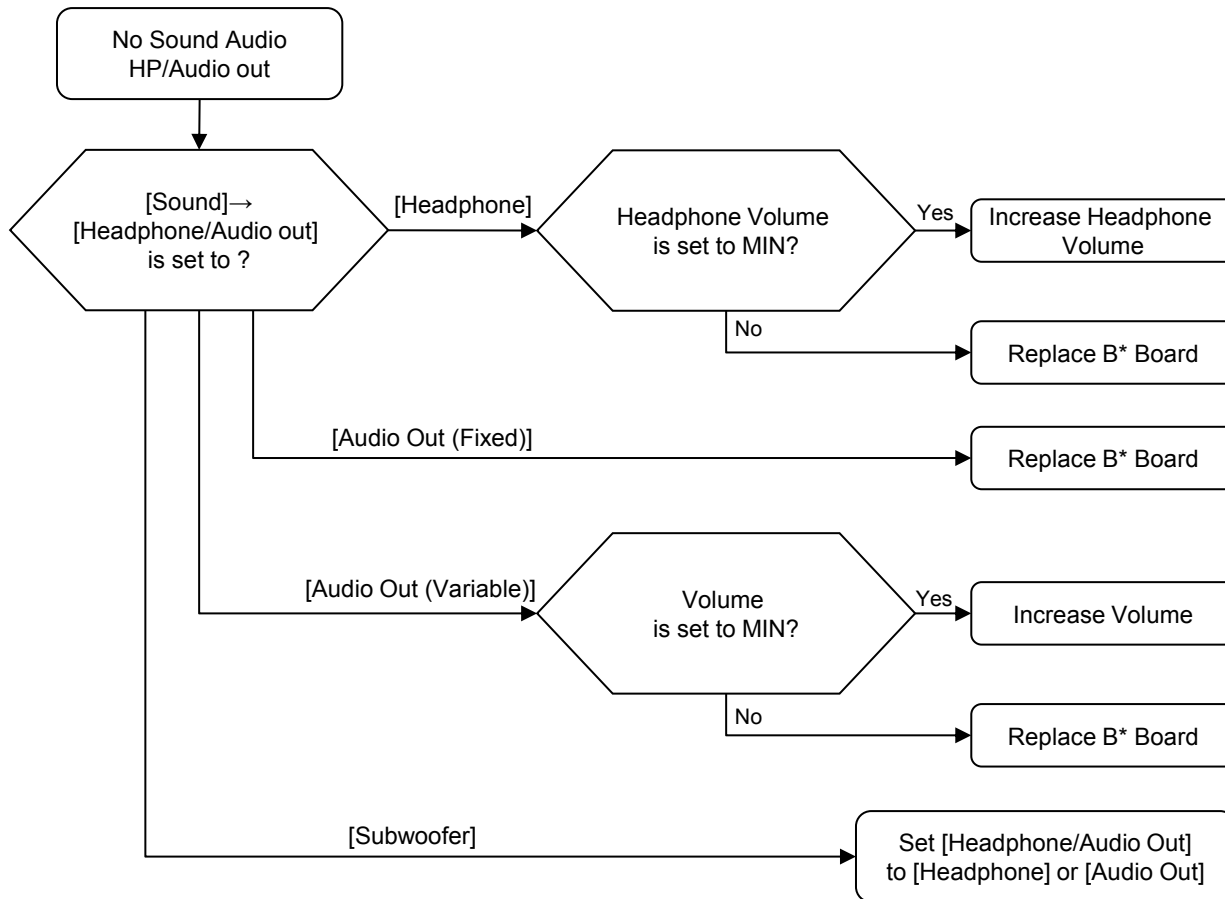
**3-3. NO SOUND (POWER ON CHECK)**



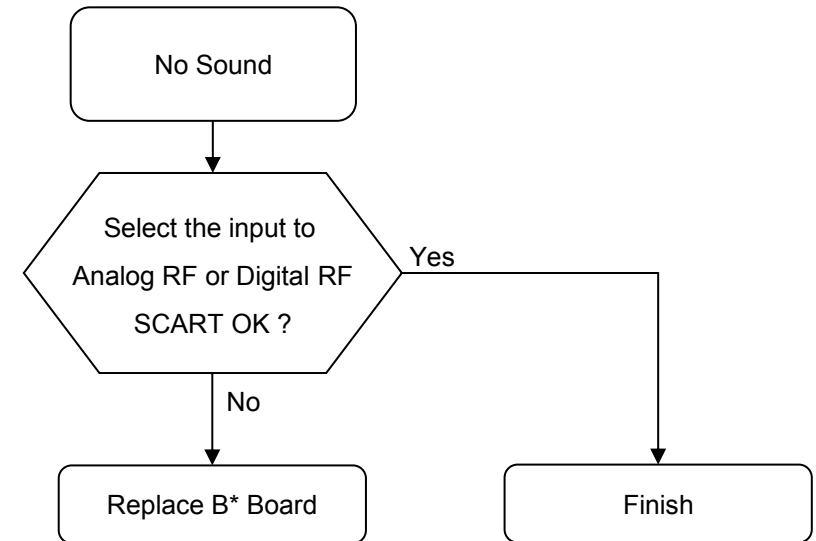


**FLOW**

**3-4. NO SOUND (AUDIO HP/AUDIO OUT)**

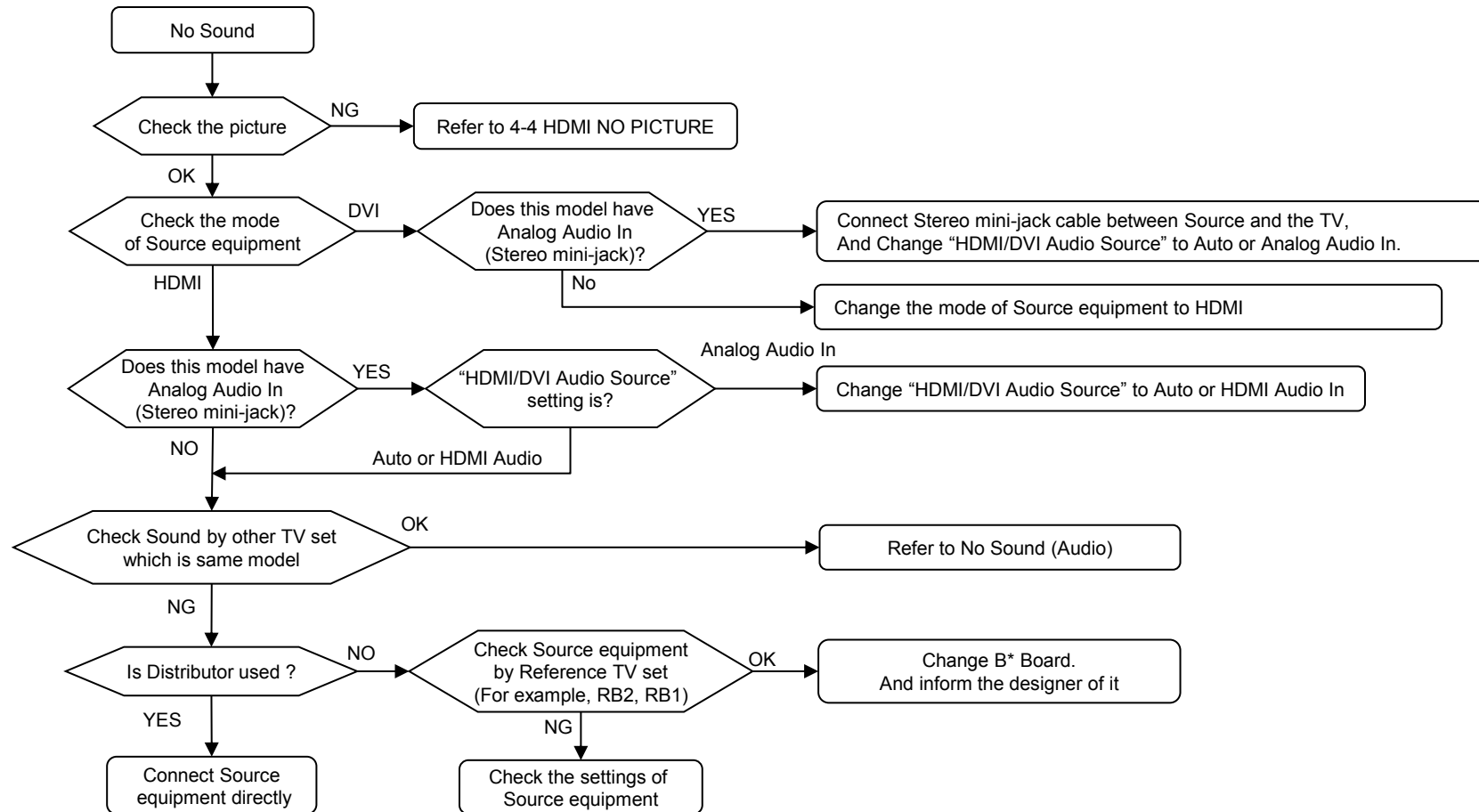


**3-5. NO SOUND (AUDIO SCART)**



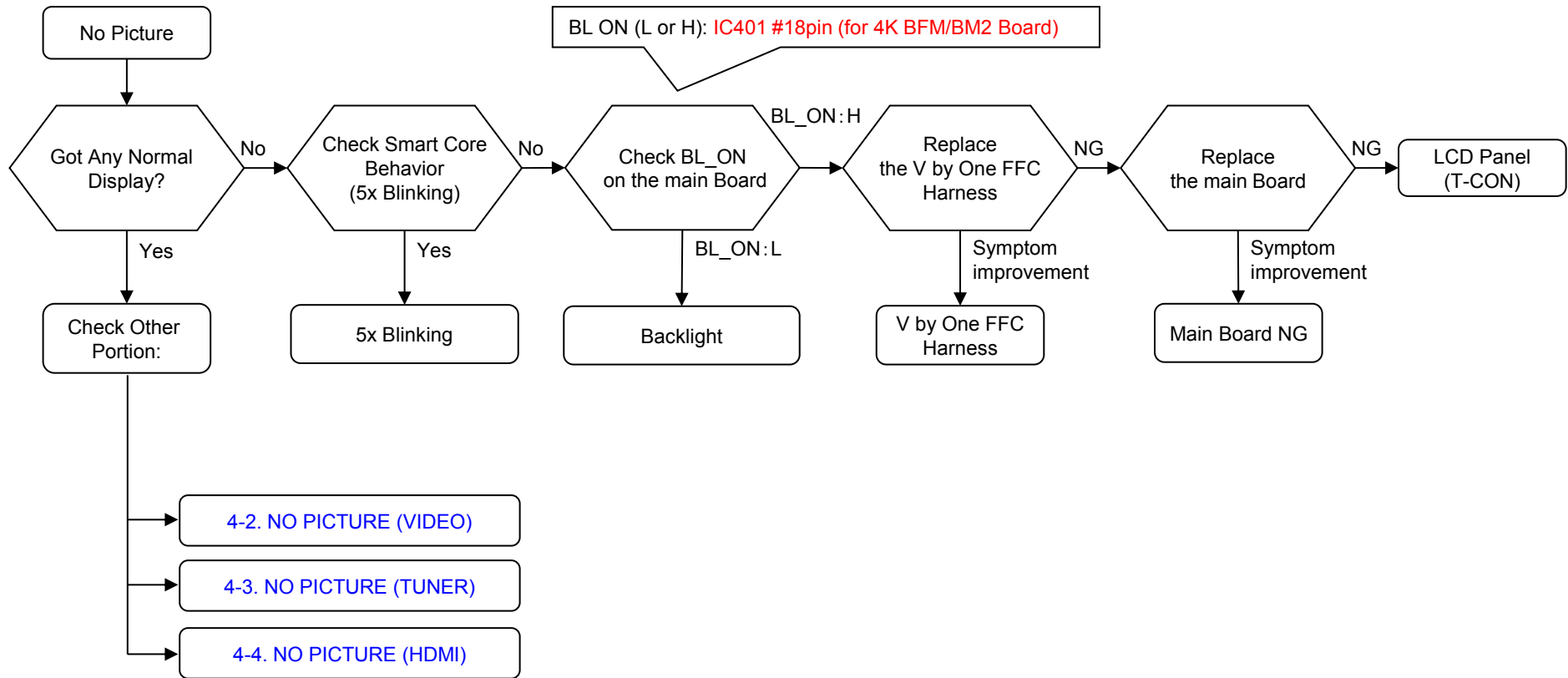
**FLOW**

**3-6. NO SOUND (HDMI 1/2/3/4)**



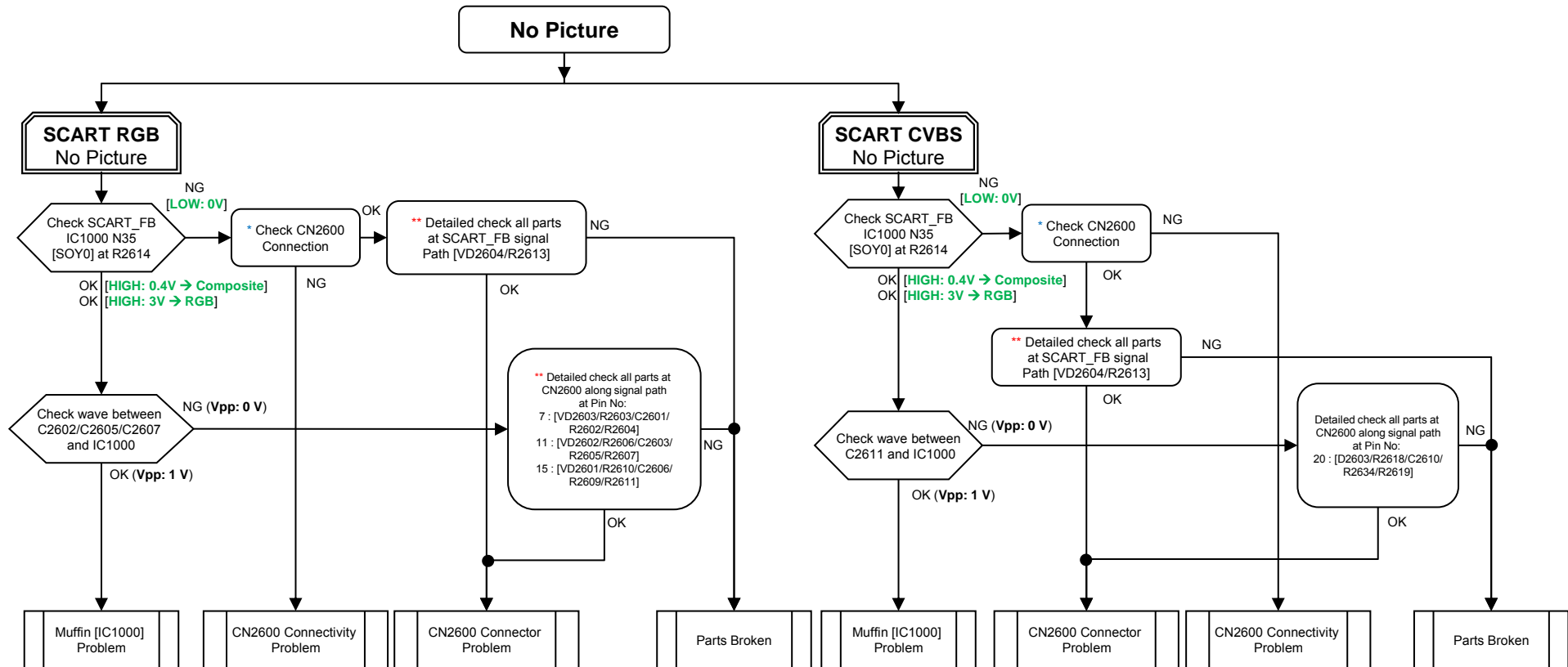
FLOW

4-1. NO PICTURE



FLOW

4-2. NO PICTURE

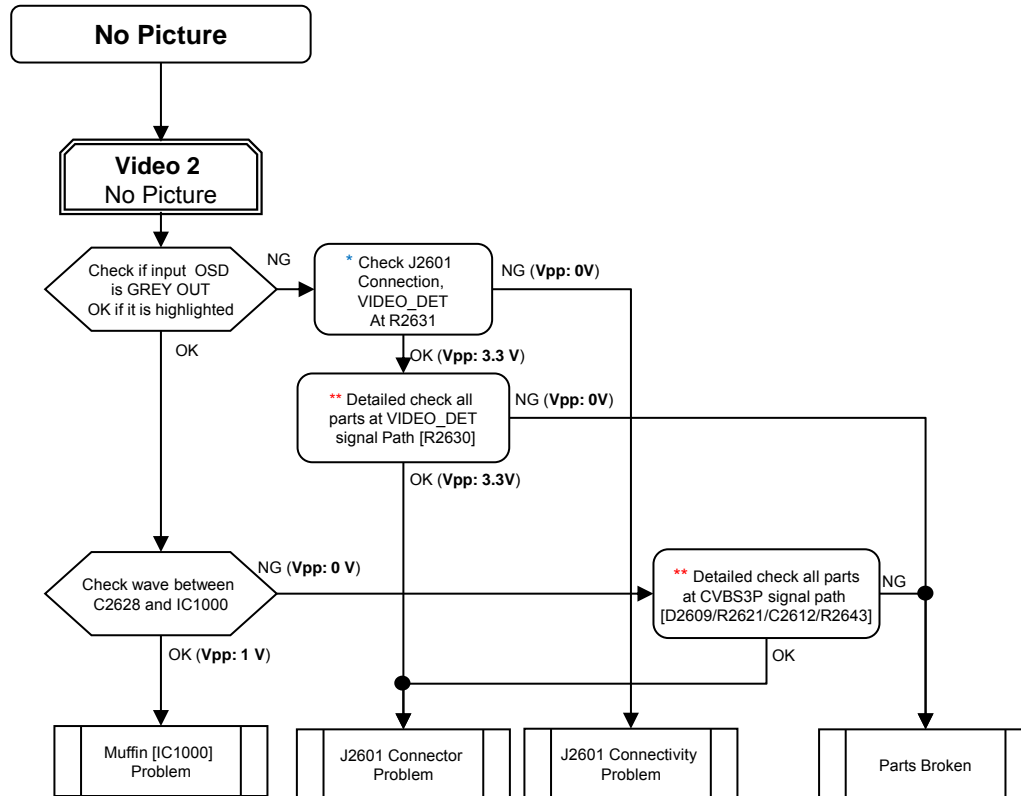


\* → OK Condition : No solder splash can be seen  
 → NG Condition : Solder splash can be seen

\*\* → OK Condition : No part short-circuited  
 → NG Condition : Part short-circuited

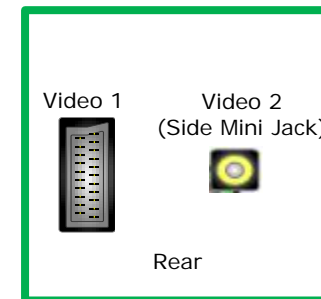
FLOW

4-2. NO PICTURE



Input Skip function

Input	Signal	Non-Detect (Typical)	Detect (Typical)
SCART	Always Detected		
Video2	VIDEO2_DET IC1000 G16-GPIO66	0V	3.3V

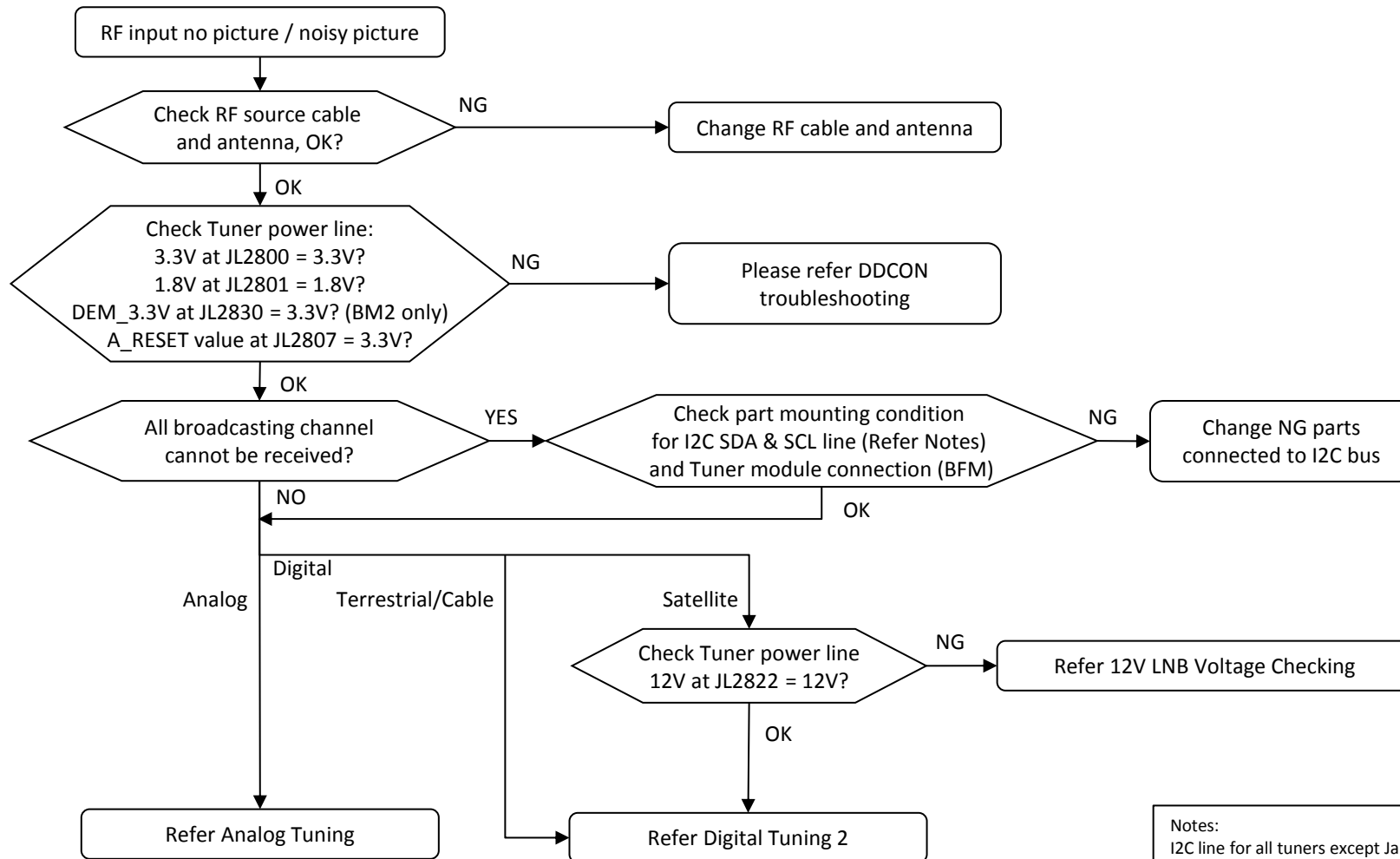


\* → OK Condition : No solder splash can be seen  
→ NG Condition : Solder splash can be seen

\*\* → OK Condition : No part short-circuited  
→ NG Condition : Part short-circuited

FLOW

4-3. NO PICTURE (TUNER)

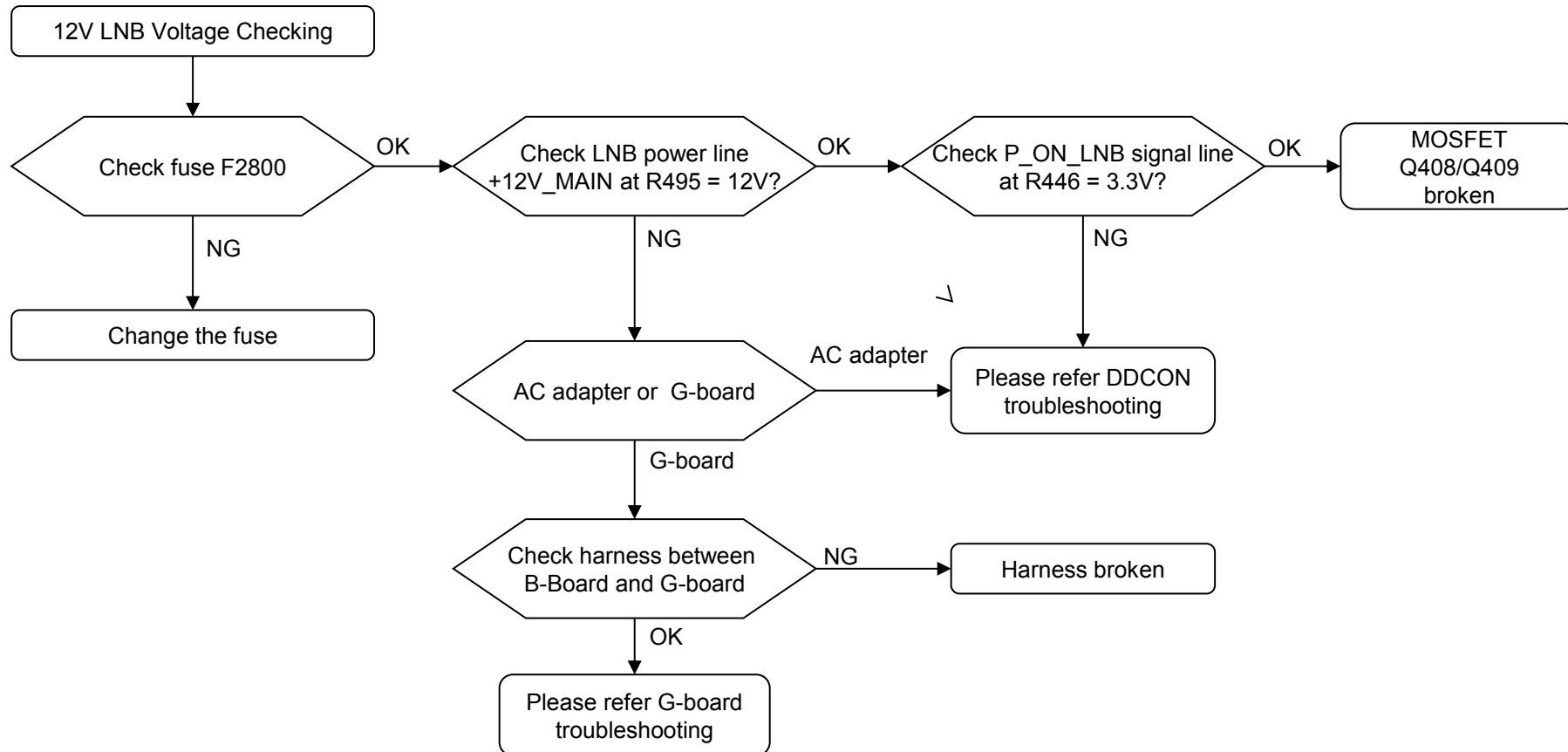


Notes:  
 I2C line for all tuners except Japan\_SKP  
 - Parts for I2C SDA line : R2800, C2803.  
 - Parts for I2C SCL line : R2801, C2804.

**FLOW**

**4-3. NO PICTURE (TUNER)**

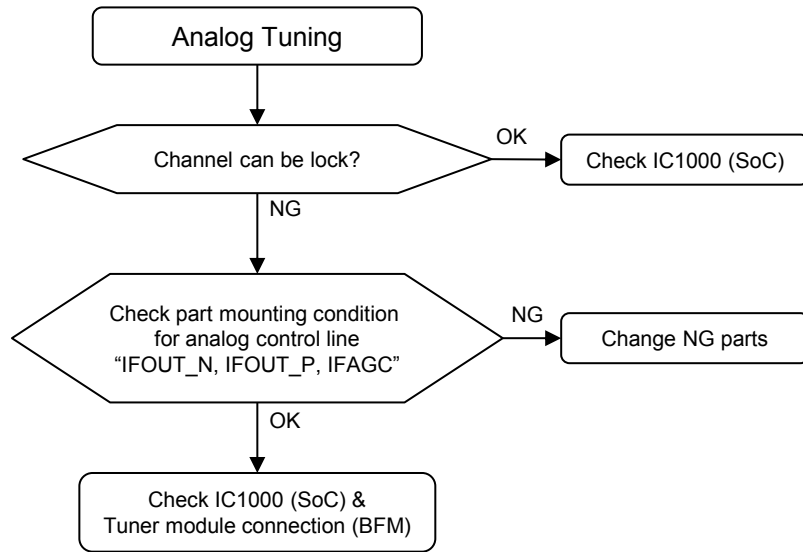
FOR 12V LNB Voltage Checking



**FLOW**

**4-3. NO PICTURE (TUNER)**

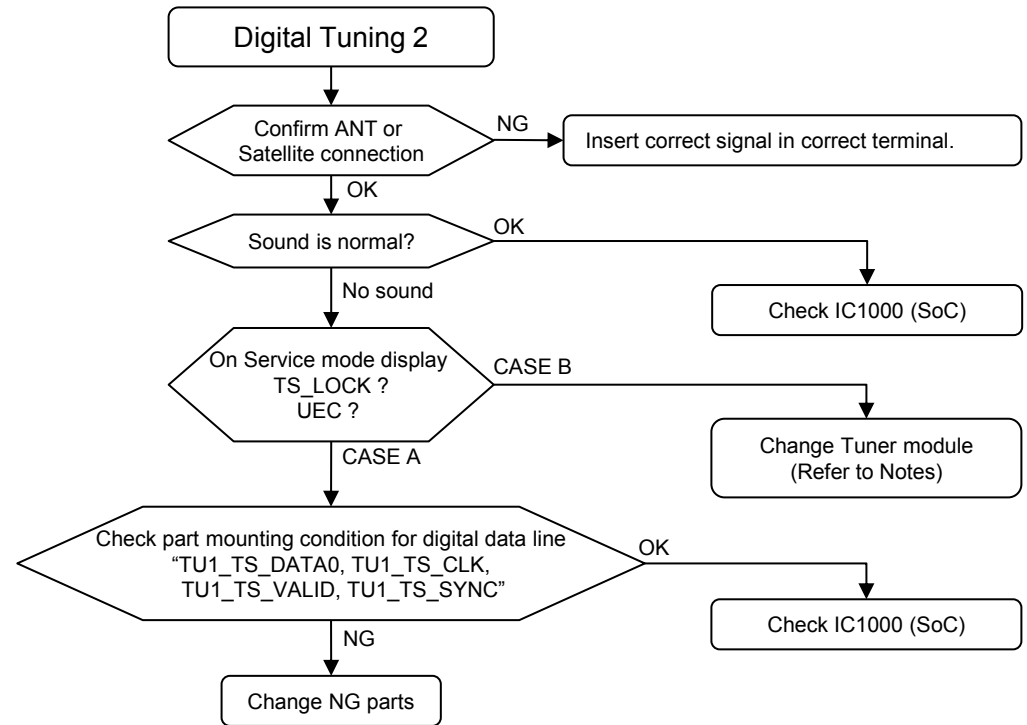
FOR ANALOG TUNING



**Notes:**

- Parts for IFOUT\_N line : FB2801, C2807, C2826
- Parts for IFOUT\_P line : FB2802, C2808, C2825
- Parts for IFAGC line : R2838, C2827

FOR DIGITAL TUNING 2



**Notes:**

- Parts for TU1\_TS\_DATA0 line : R2847.
- Parts for TU1\_TS\_CLK line : R2844, R2815,R2866
- Parts for TU1\_TS\_VALID line : R2845.
- Parts for TU1\_TS\_SYNC line : R2846.
- CASE A : TS\_LOCK = LOCK and UEC constant
- CASE B : TS\_LOCK = UNLOCK or UEC is increasing

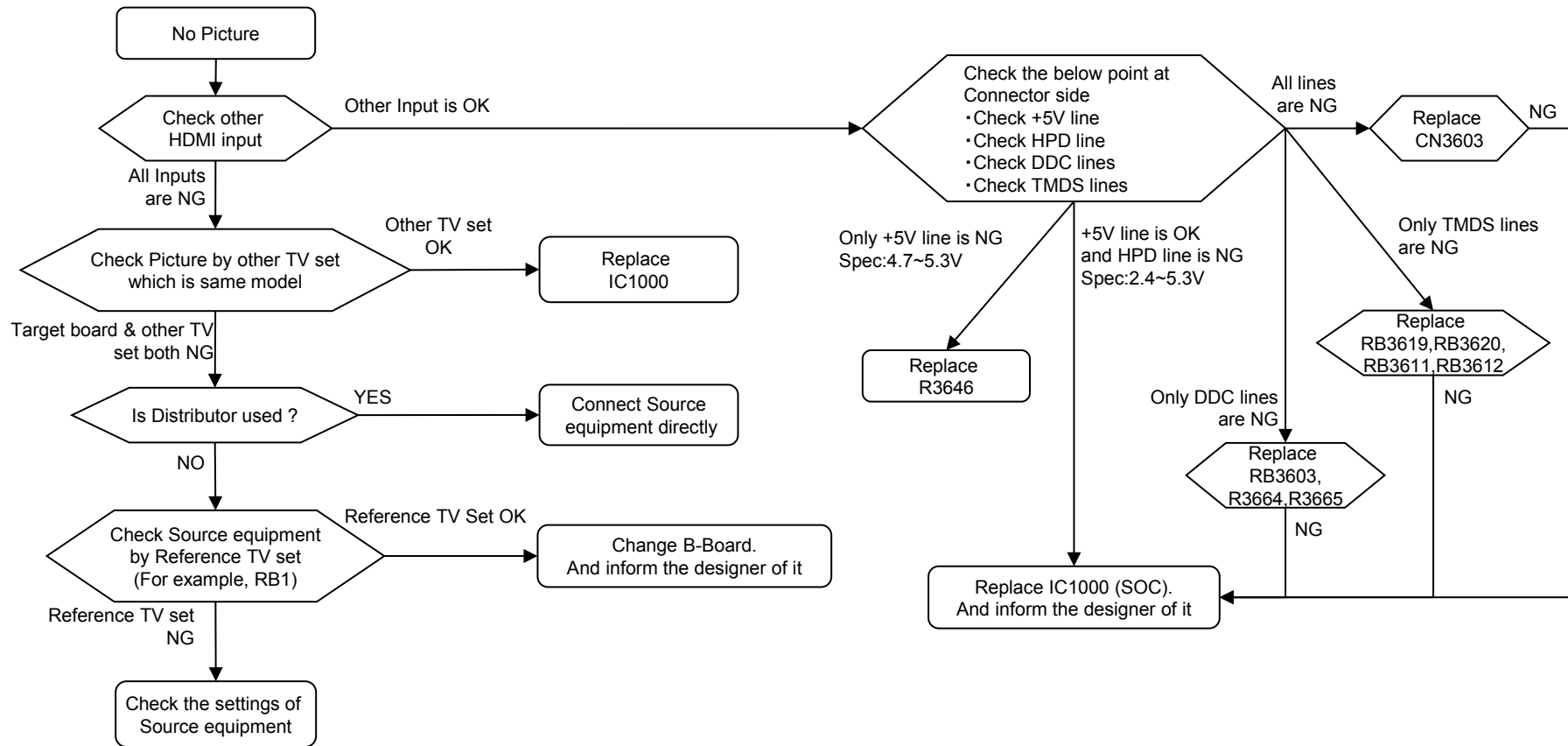
Note (Only BM2 Board) (Tuner reference -- destination)  
TU2803 - AEP\_W



**FLOW**

**4-4. NO PICTURE (HDMI)**

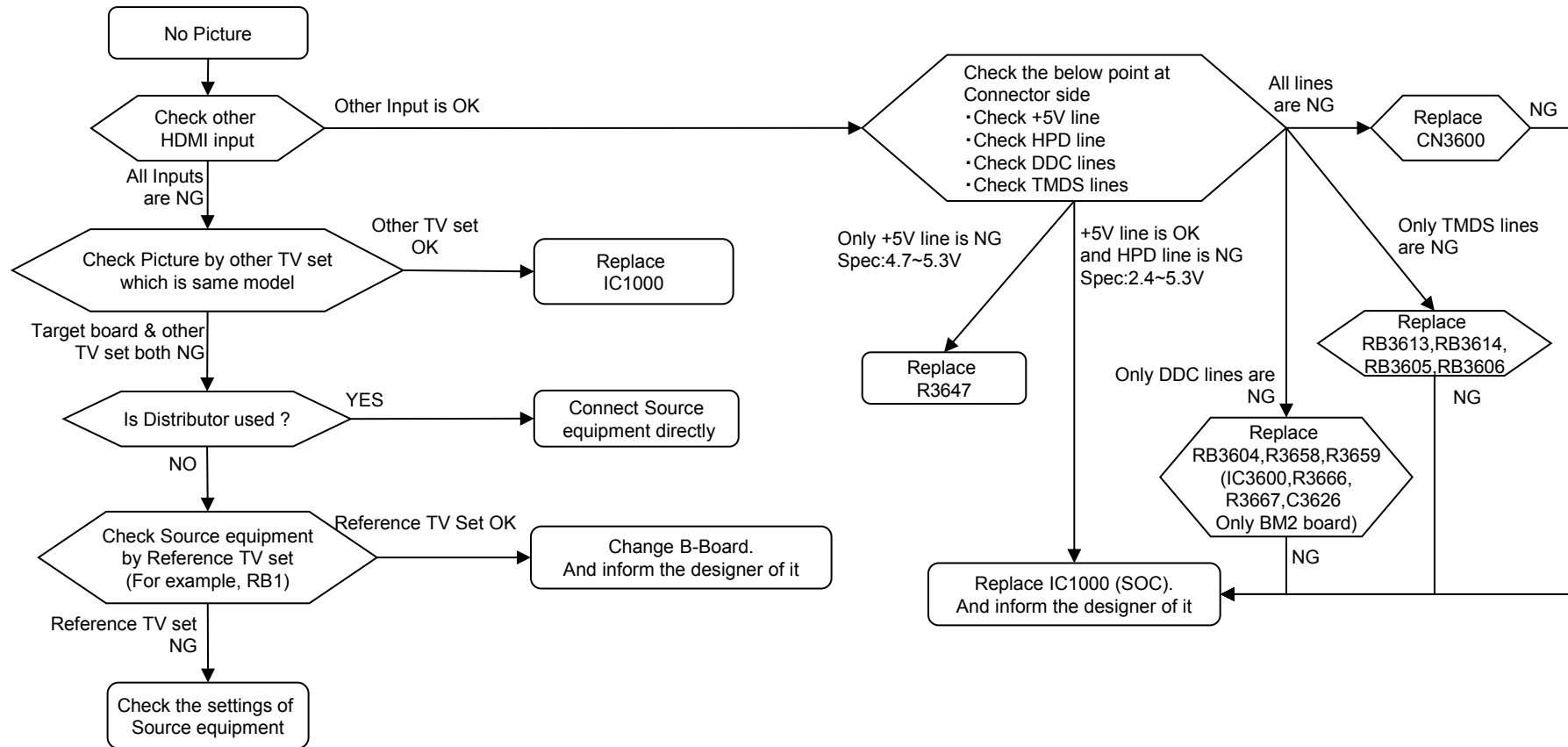
(1) HDMI1



**FLOW**

**4-4. NO PICTURE (HDMI)**

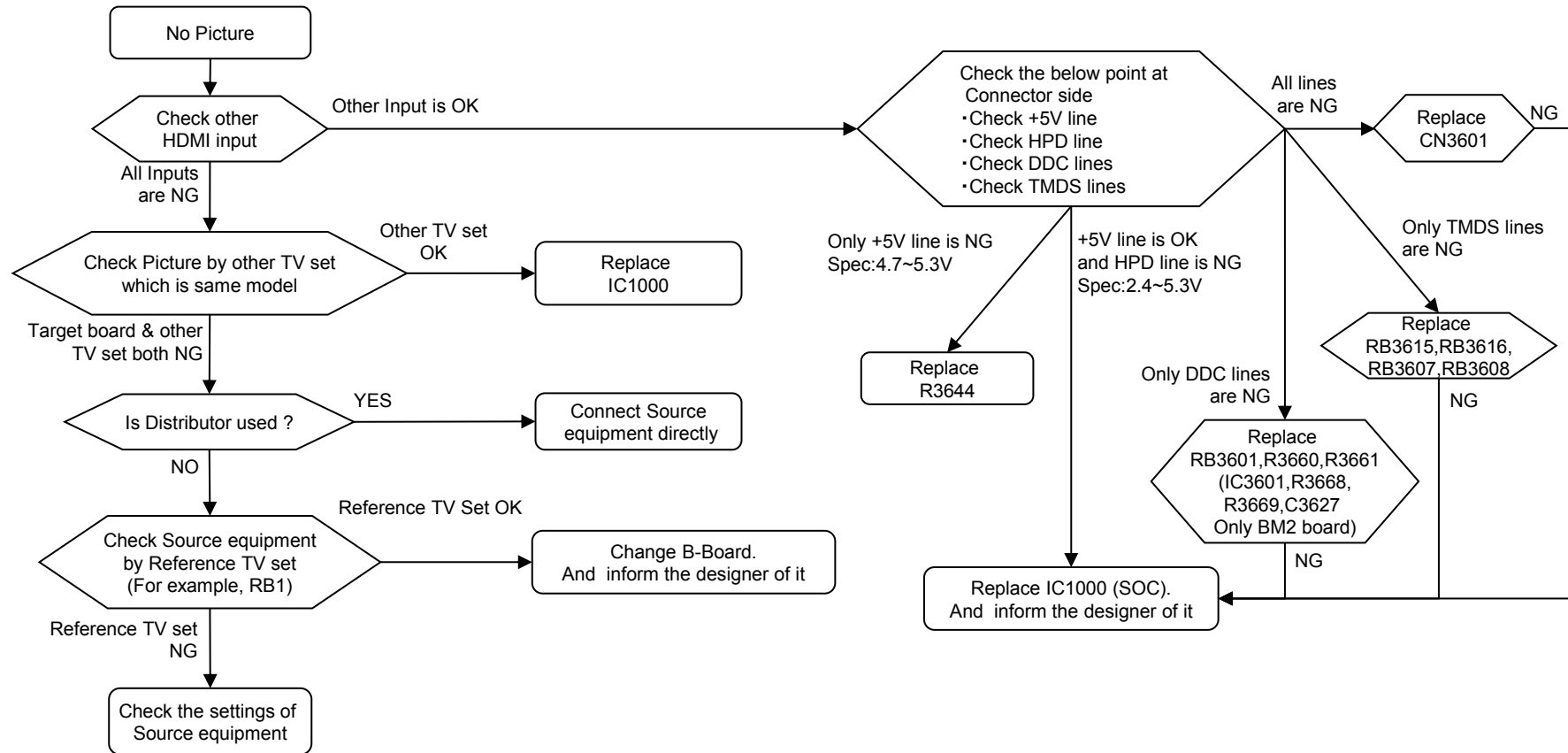
(2) HDMI2



**FLOW**

**4-4. NO PICTURE (HDMI)**

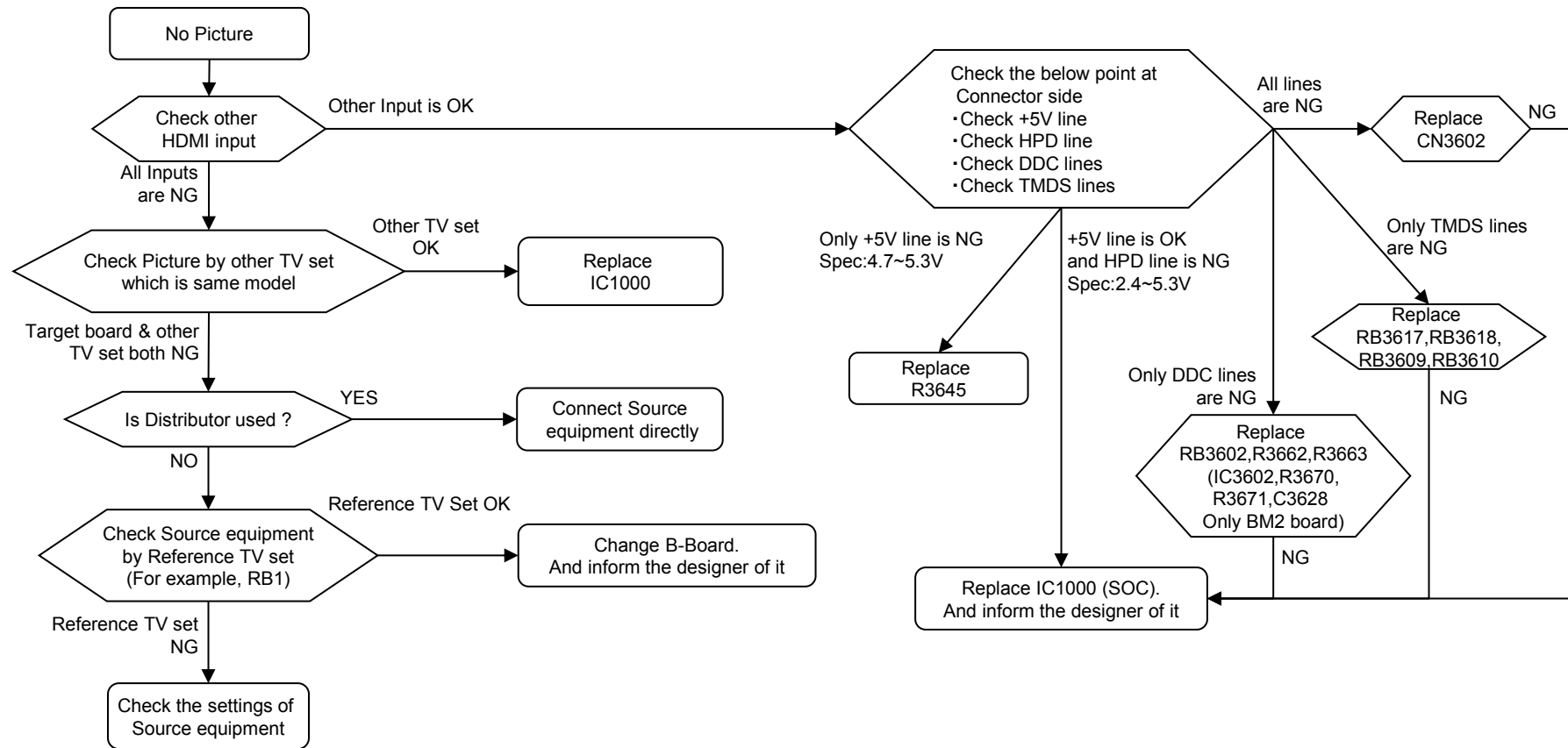
(3) HDMI3



**FLOW**

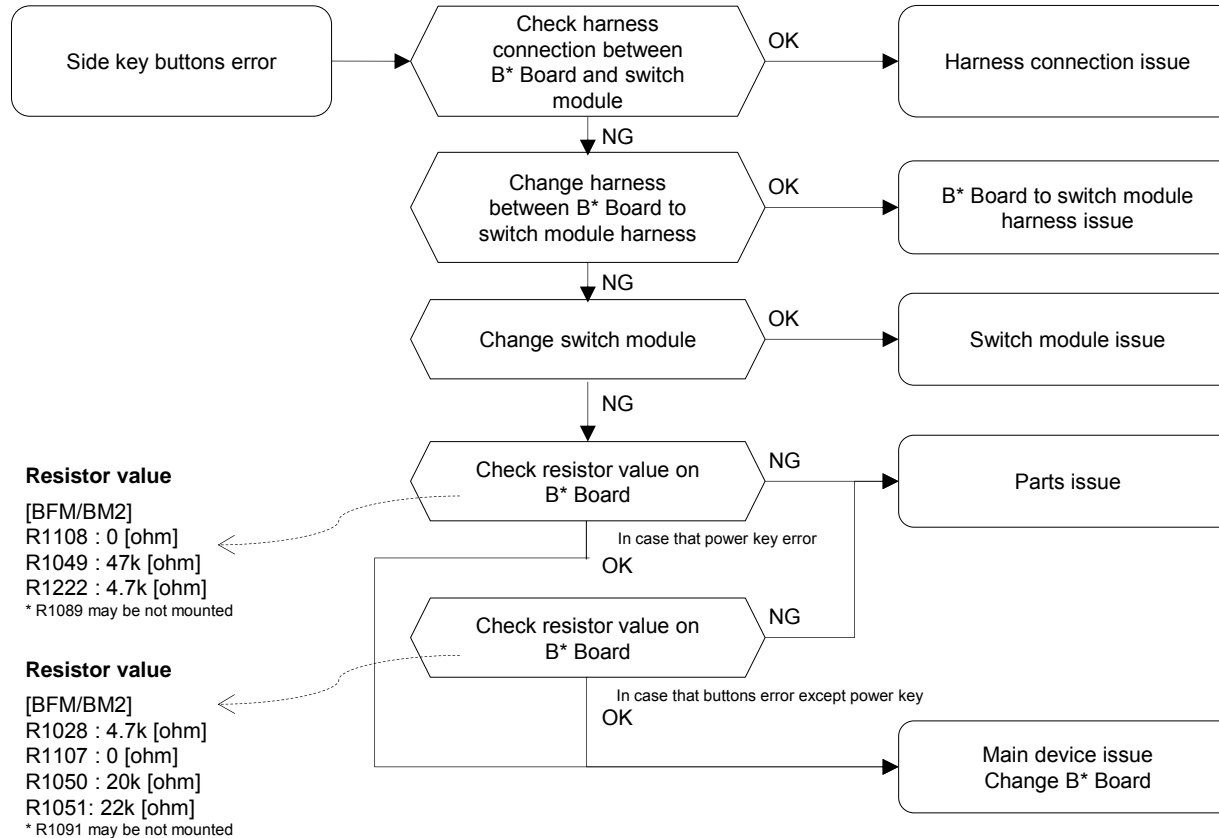
**4-4. NO PICTURE (HDMI)**

(4) HDMI4



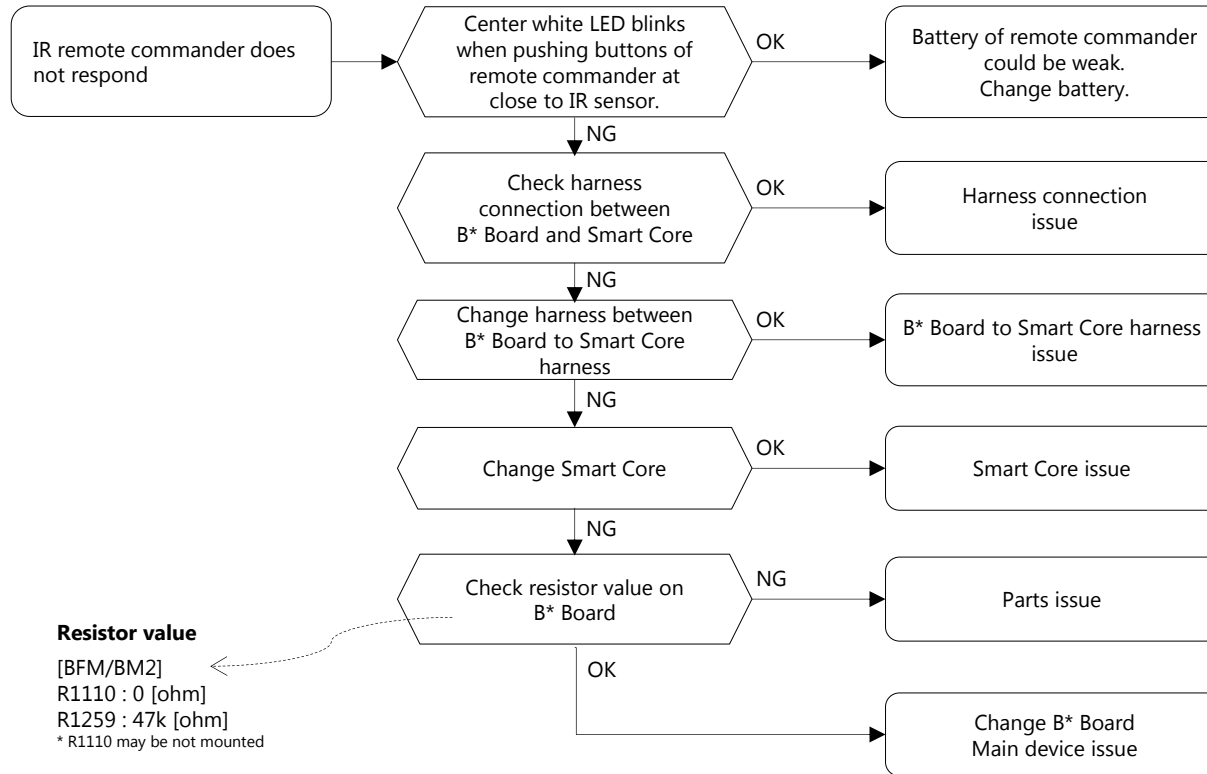
**FLOW**

**5. KEY SWITCH BUTTONS ERROR**



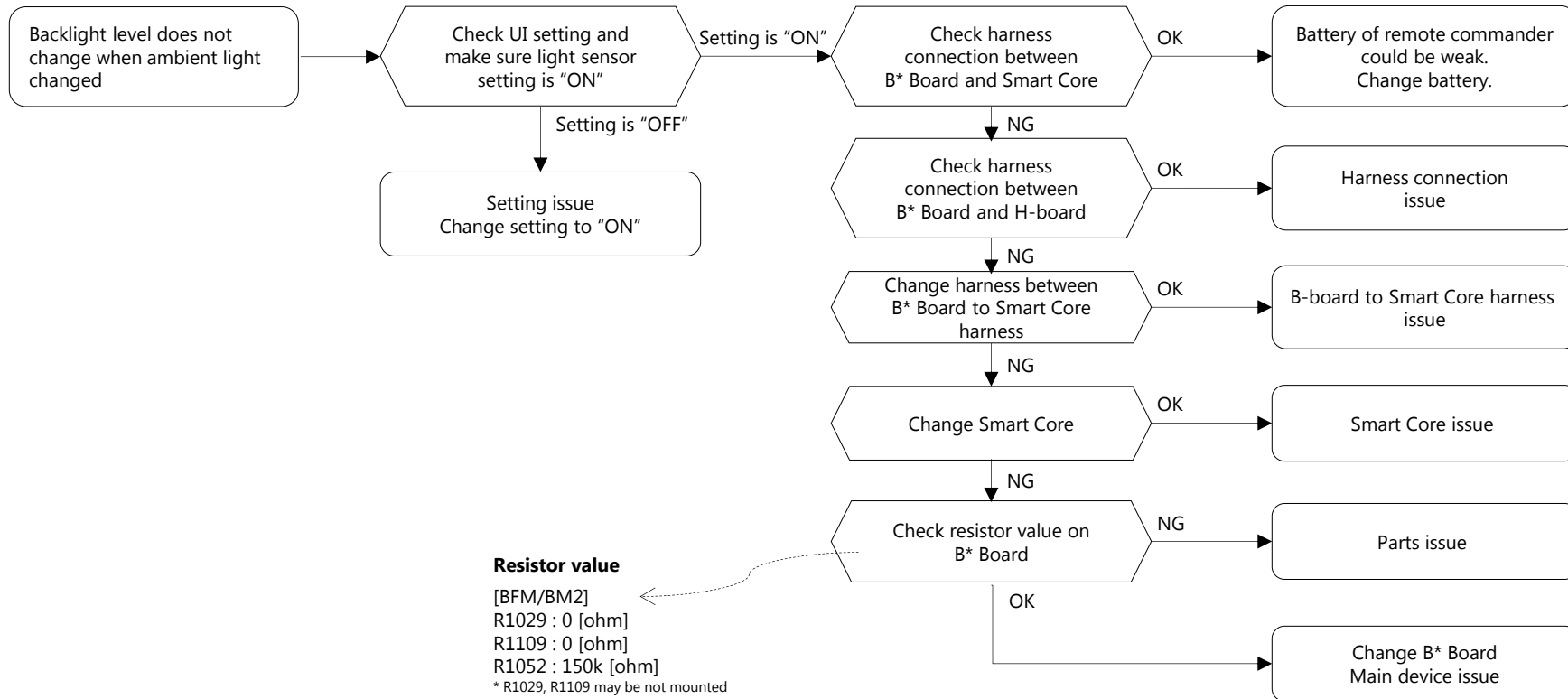
FLOW

6. IR REMOTE COMMANDER ERROR



FLOW

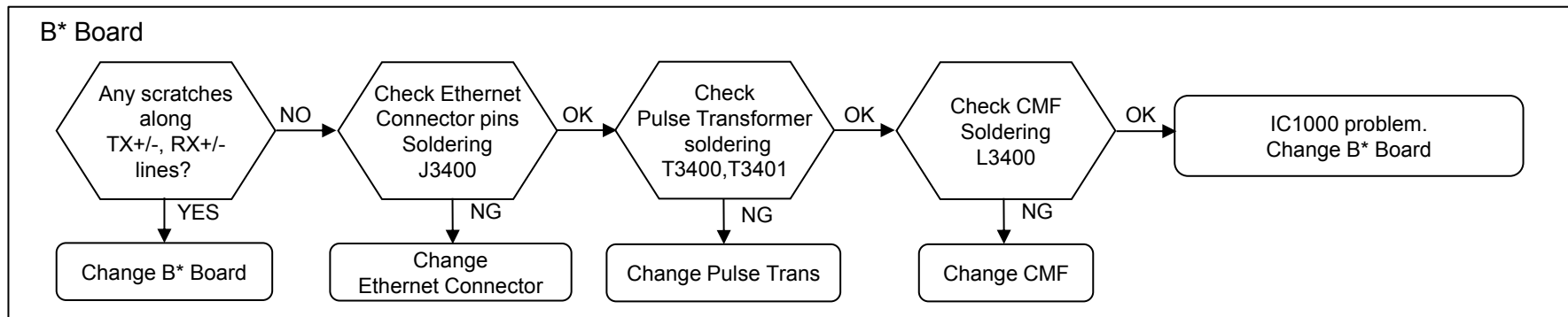
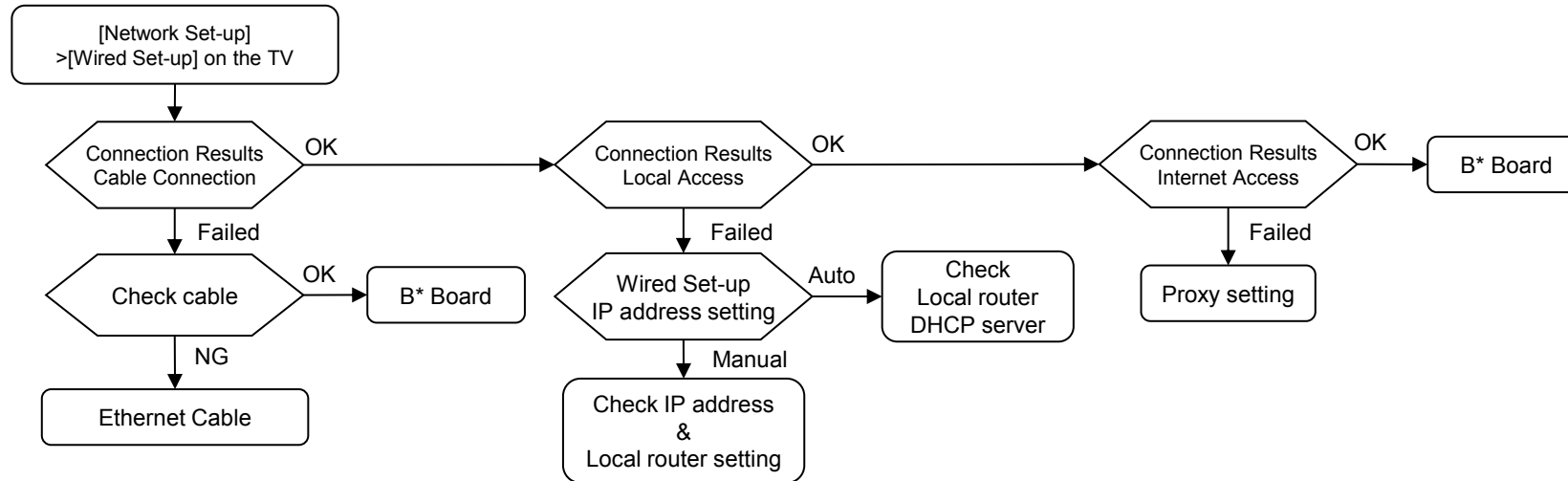
7. LIGHT SENSOR ERROR



**FLOW**

**8. NETWORK MALFUNCTION**

(1) Ethernet (Wired)

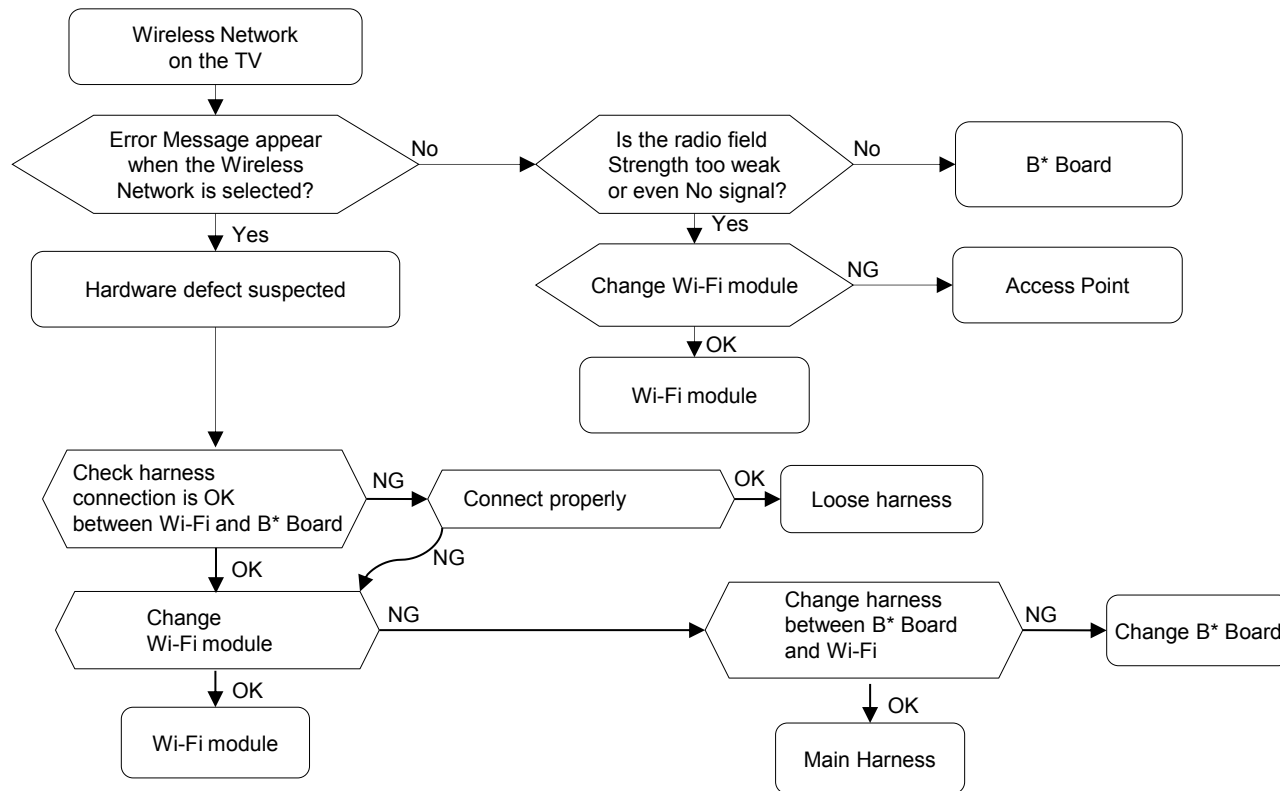




**FLOW**

**8. NETWORK MALFUNCTION**

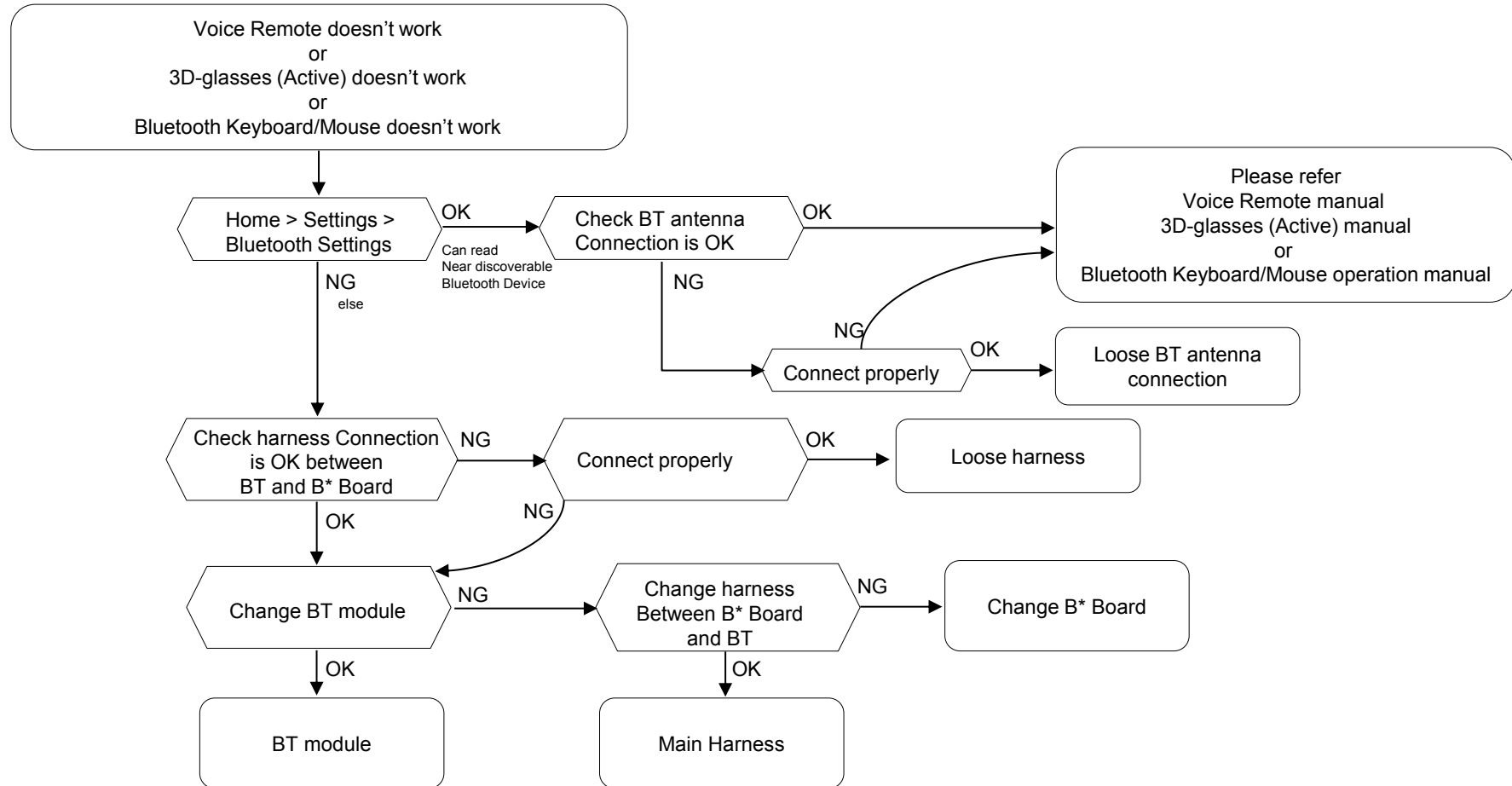
(2) Internal Wireless Network malfunction



If Wi-Fi malfunction happens,  
 - Wi-Fi module,  
 - Harness between Wi-Fi and B\* Board,  
 - B\* Board,  
 are suspected.

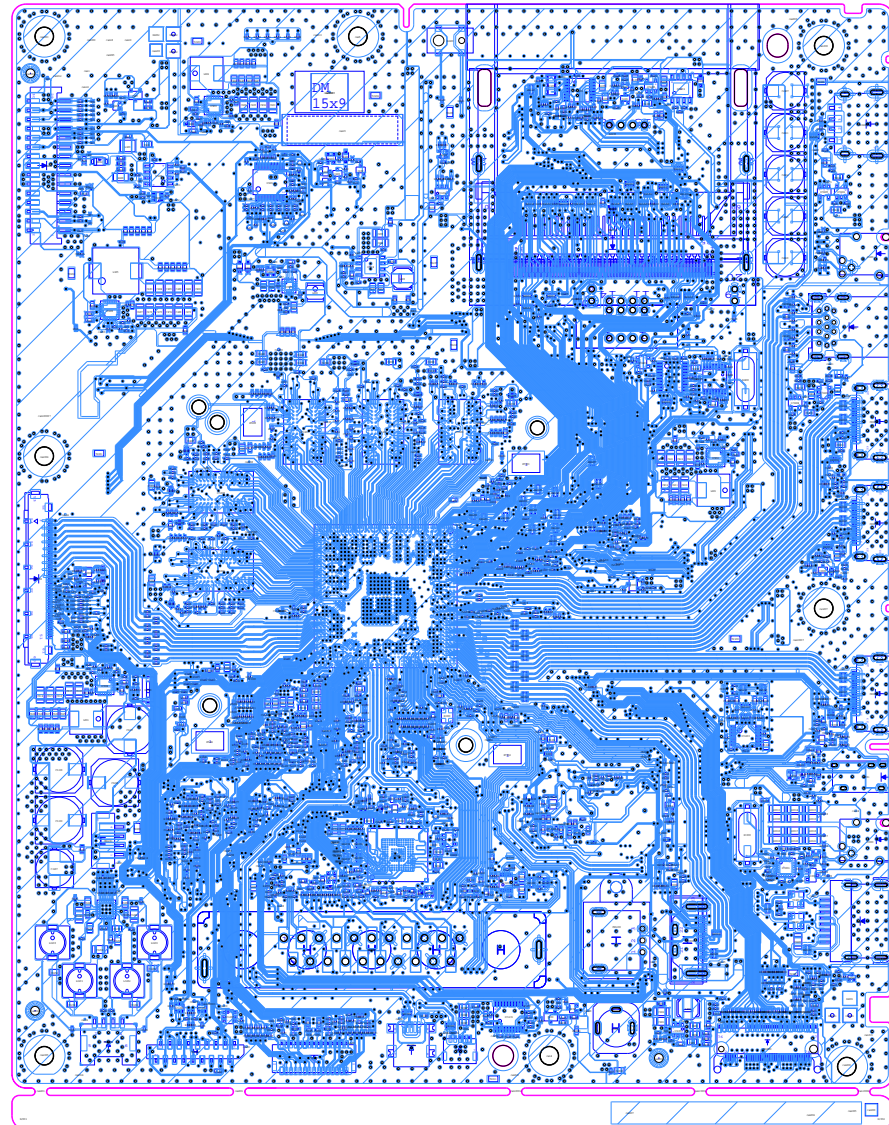
FLOW

9. BLUETOOTH MALFUNCTION



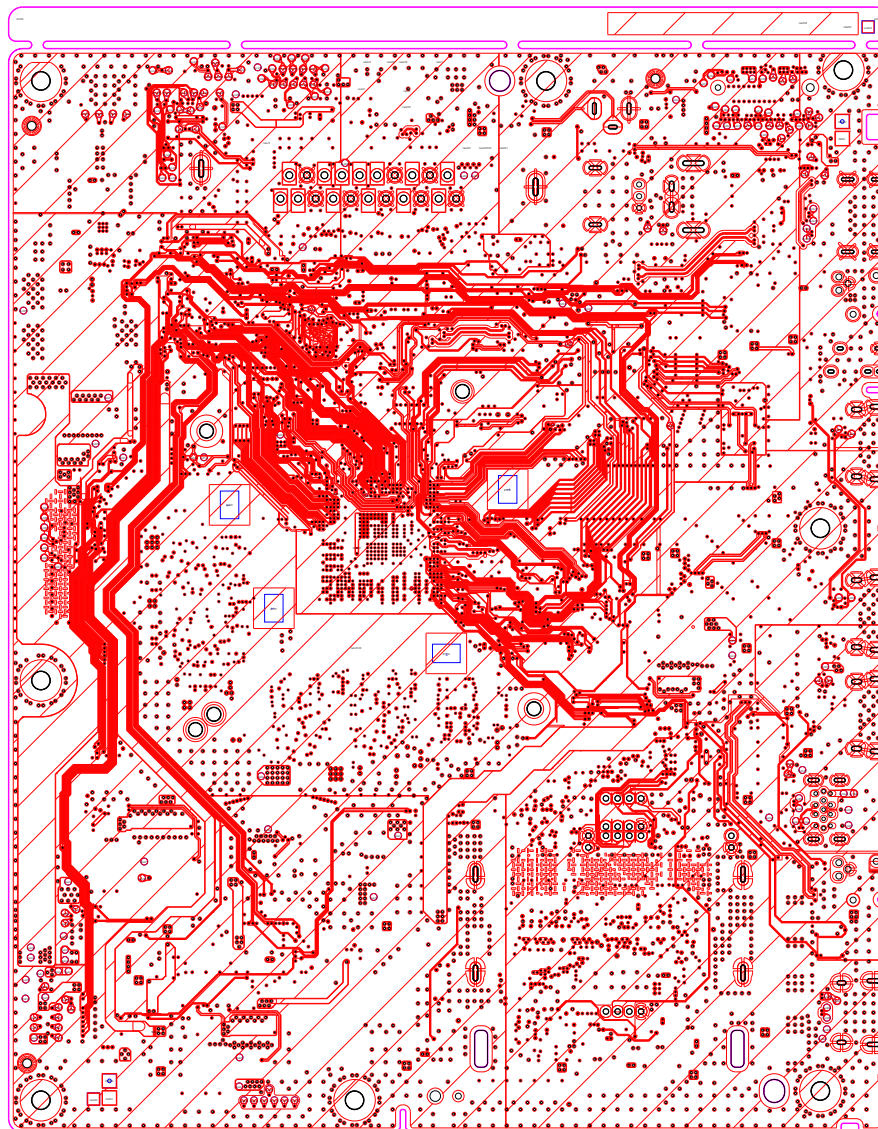
## PCB PARTS MAP

BFM (A side view)



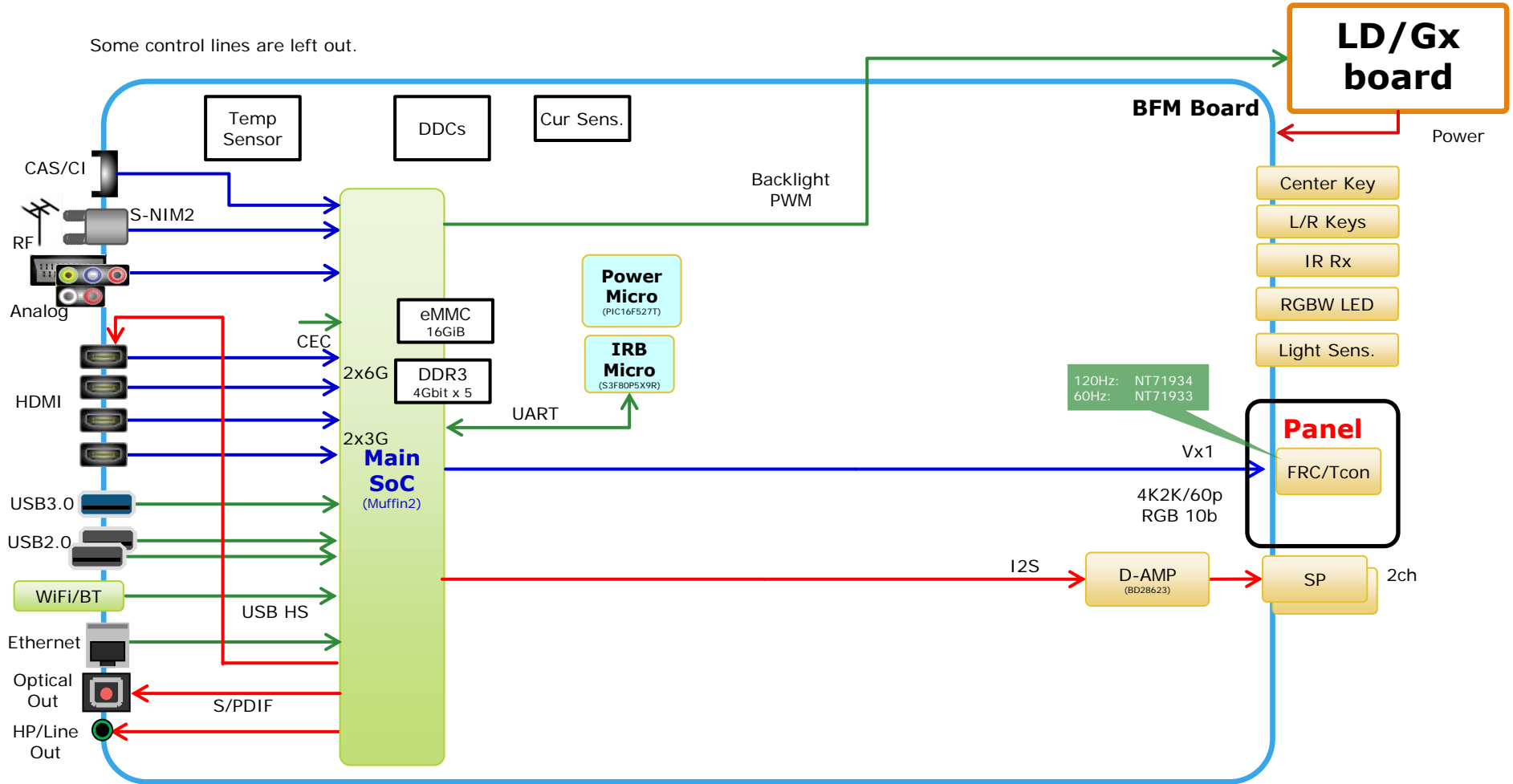
## PCB PARTS MAP

BFM (B side view)



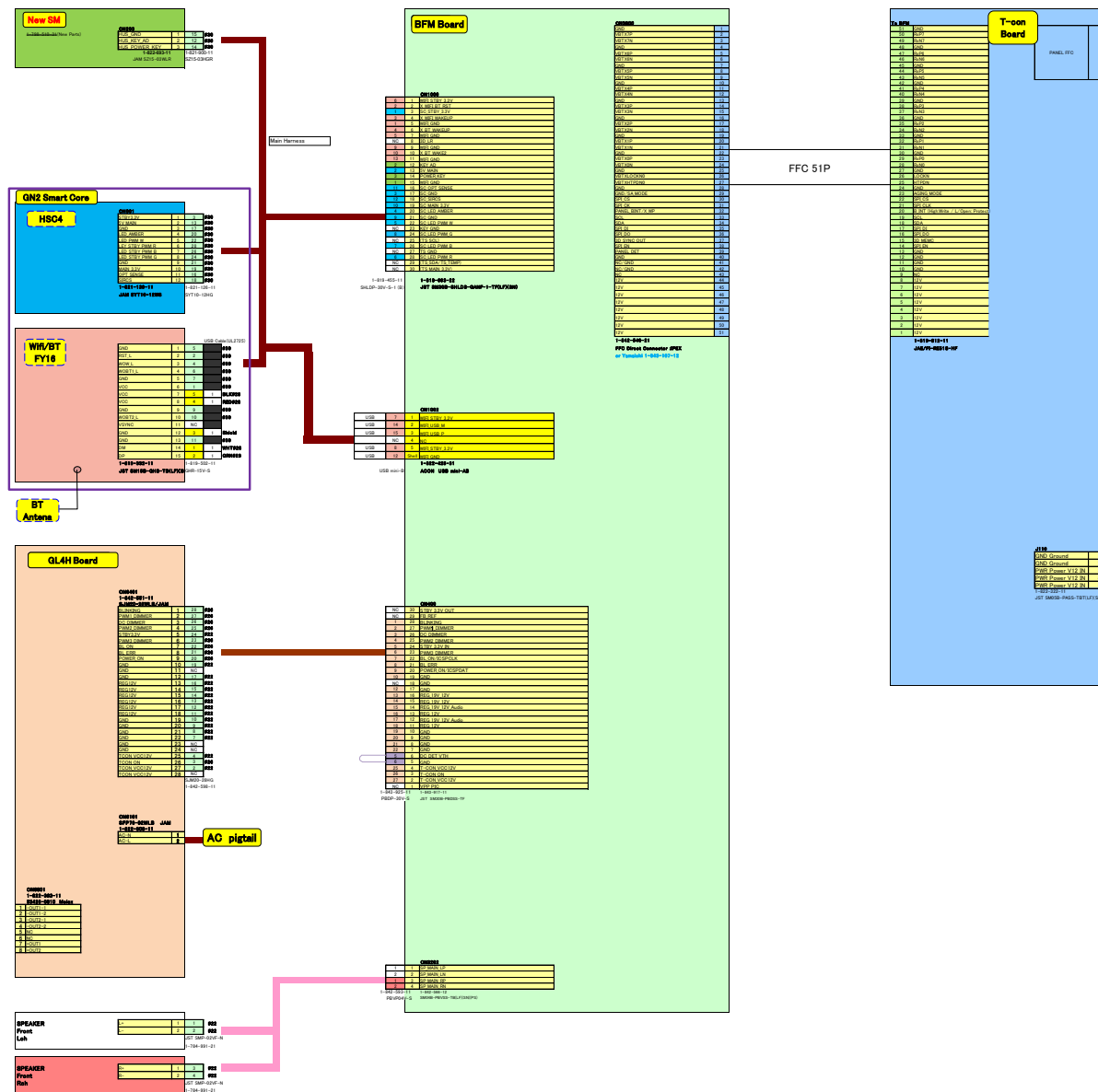
# DIAGRAMS

## BLOCK DIAGRAM



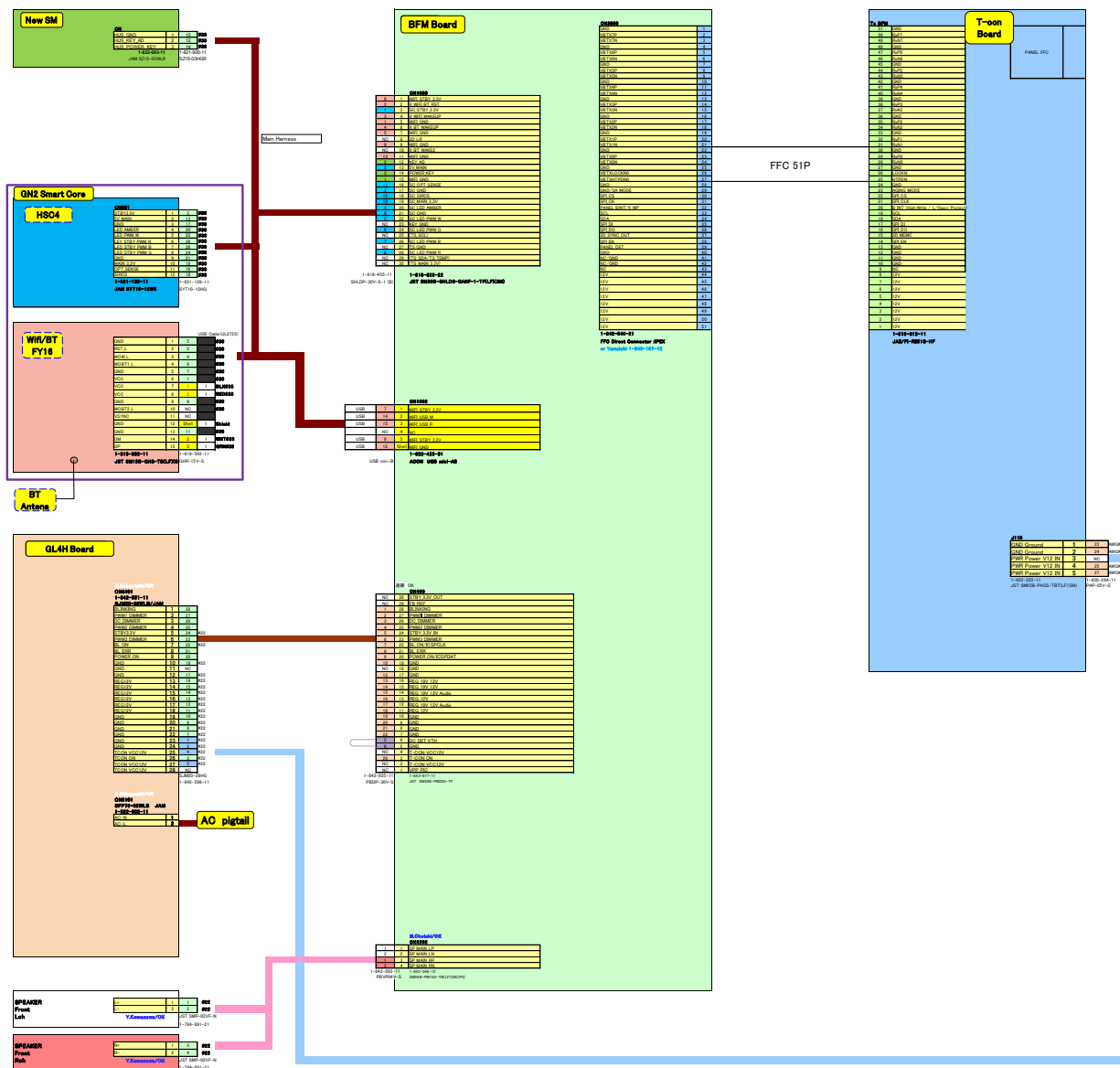
# CONNECTOR DIAGRAM

## 1. KD-43XD8005/8077/8088/8099, FW-43XD8001



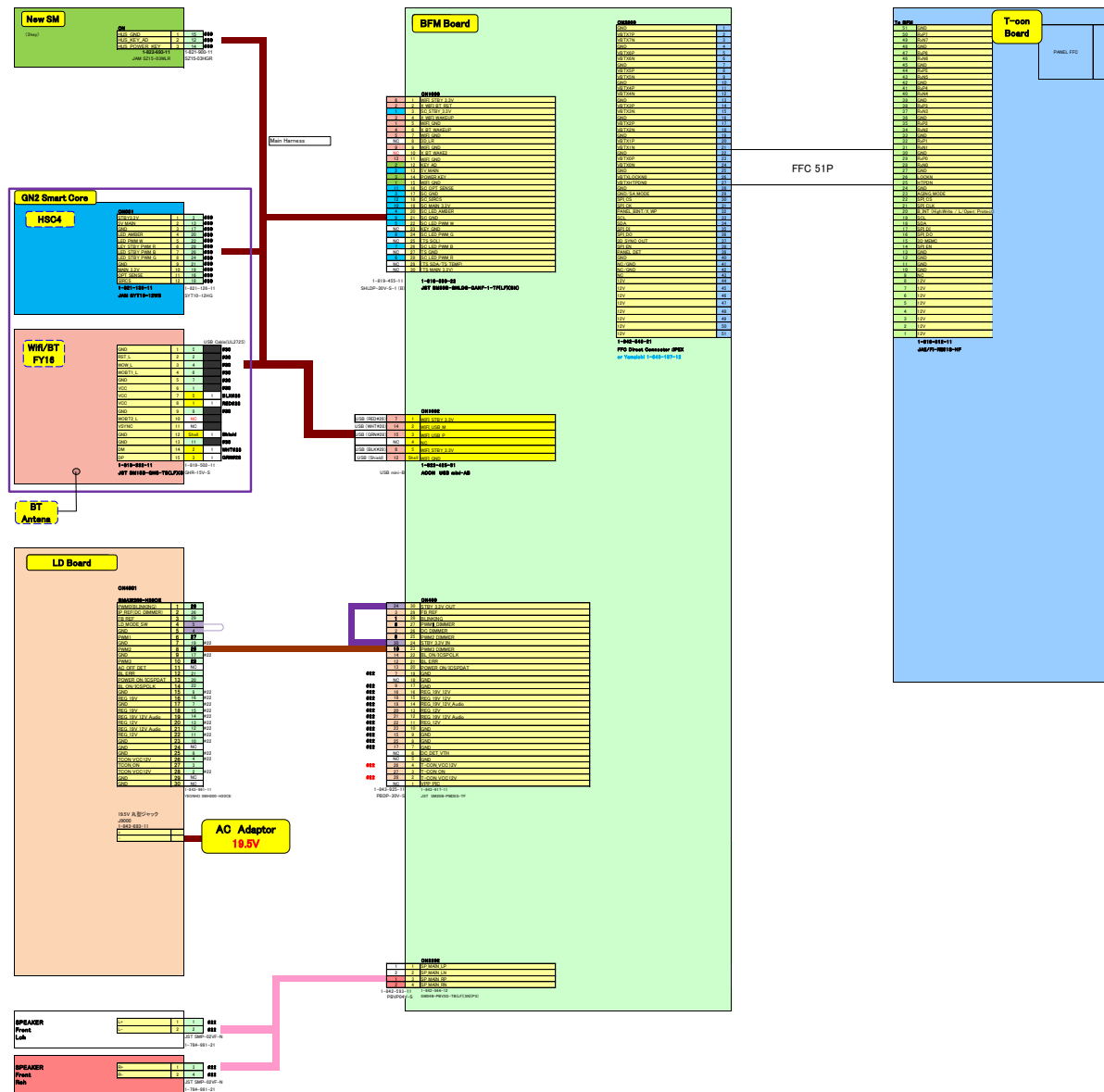
# CONNECTOR DIAGRAM

## 2. KD-43XD8305



# CONNECTOR DIAGRAM

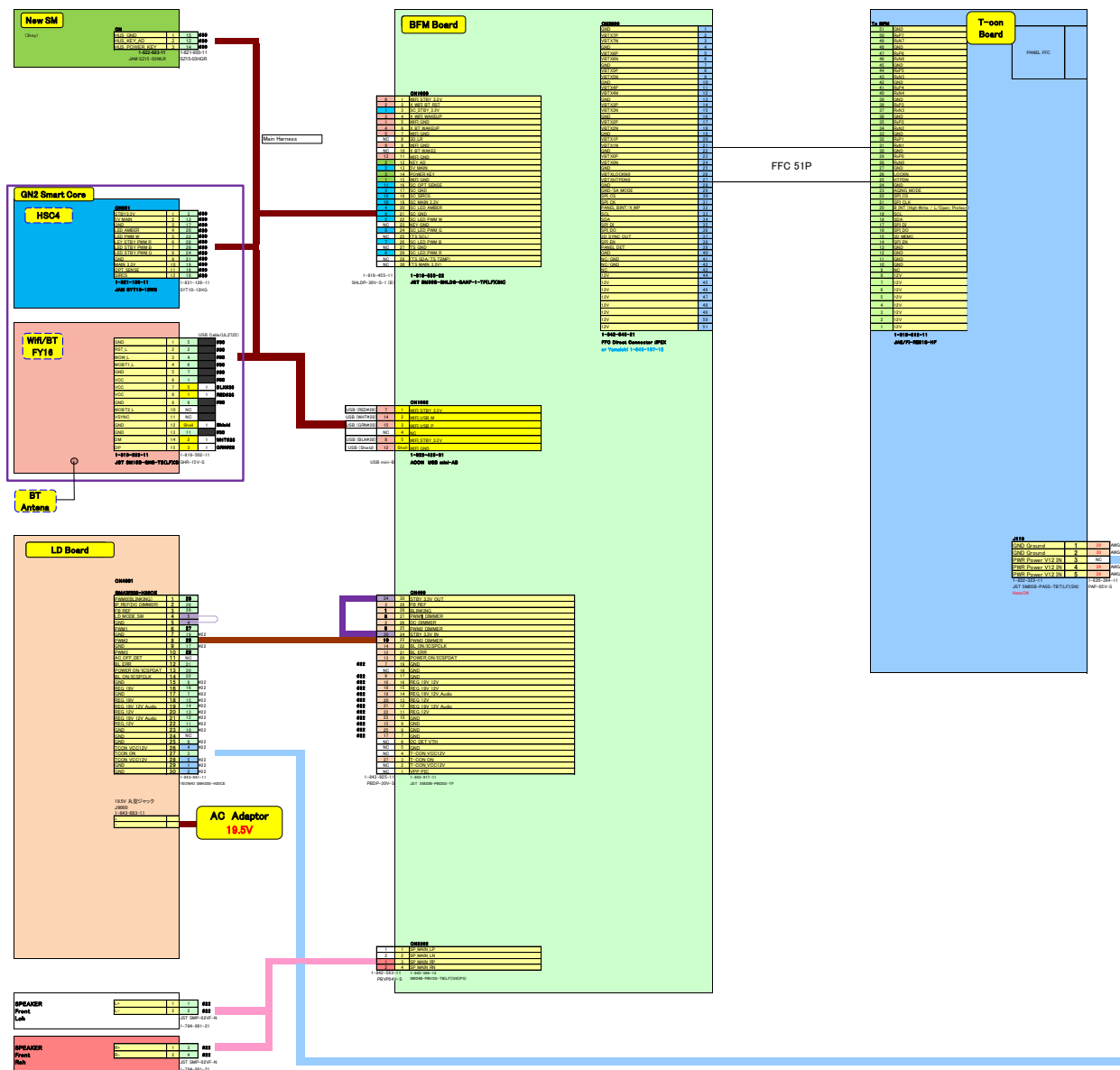
## 3. KD-49XD8005/8077/8088/8099, FW-49XD8001





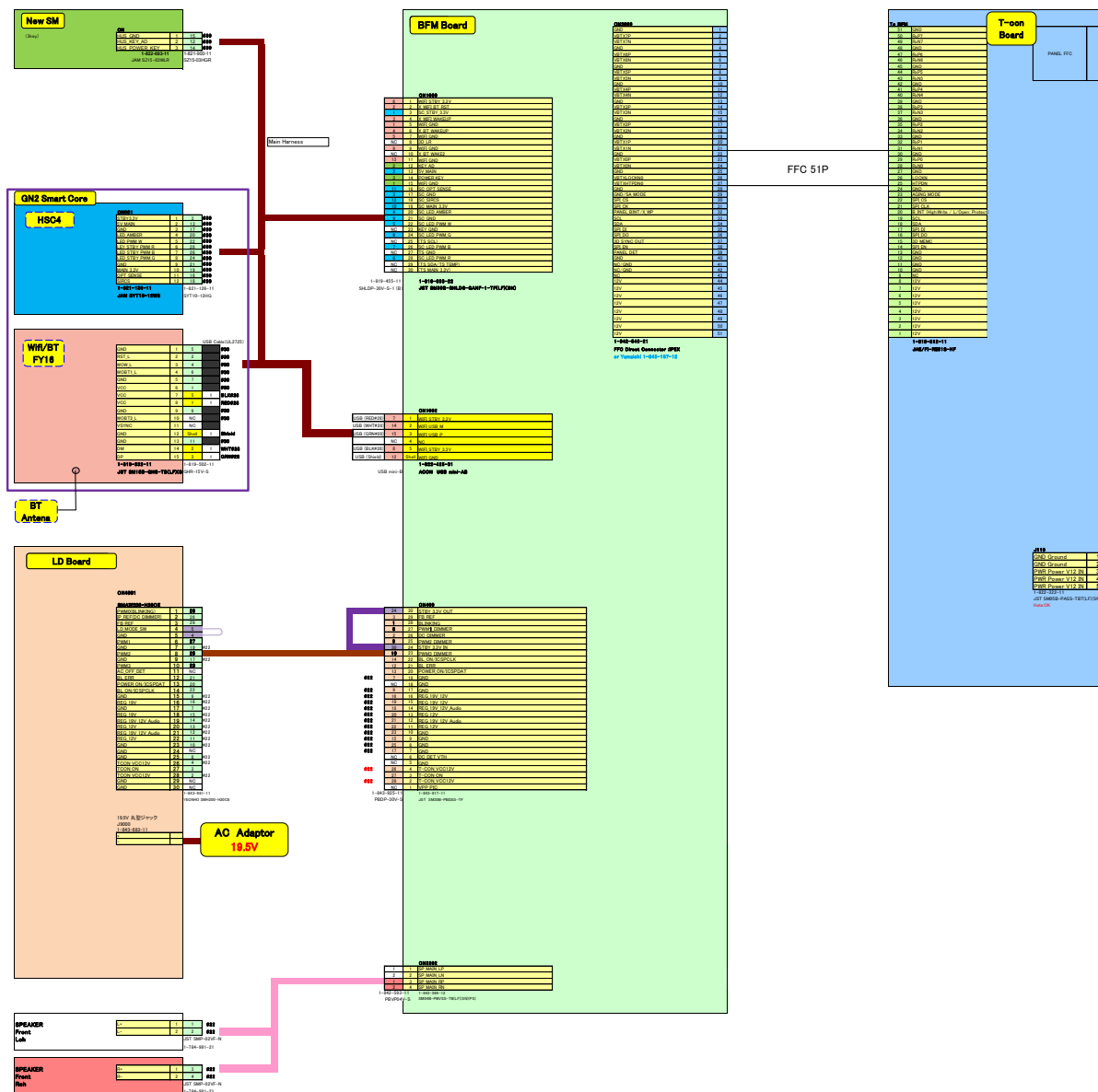
# CONNECTOR DIAGRAM

## 4. KD-49XD8305



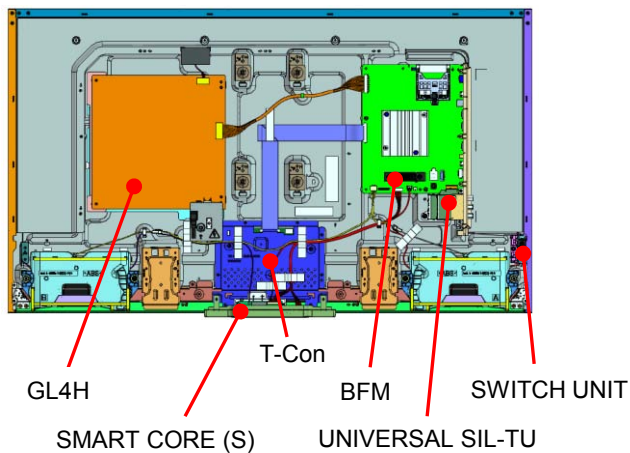
# CONNECTOR DIAGRAM

## 5. KD-55XD8005

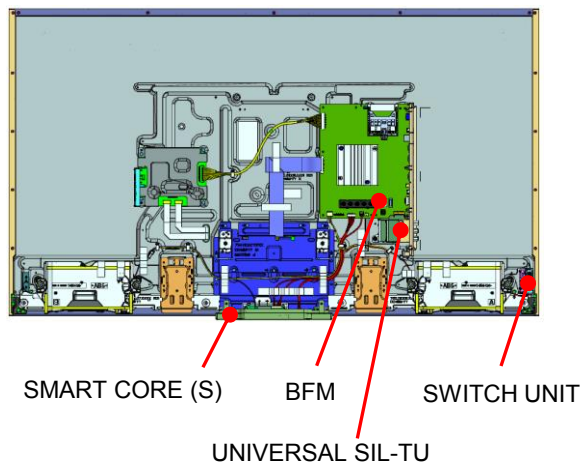


**BOARDS LOCATION**

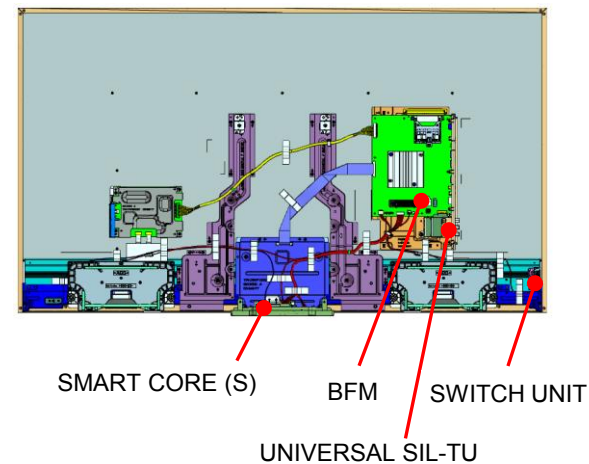
**KD-43XD8005/8077/8088/8099**



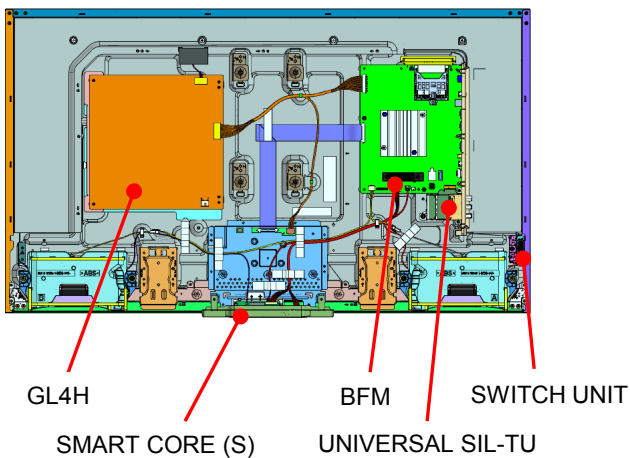
**KD-49XD8005/8077/8088/8099**



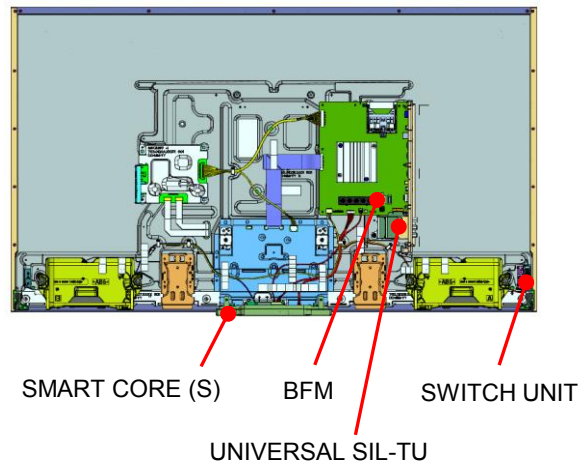
**KD-55XD8005**



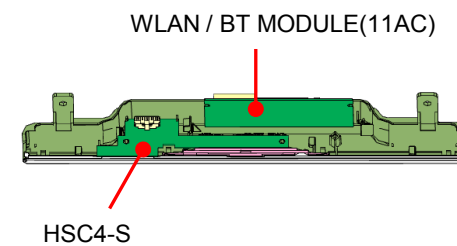
**KD-43XD8305**



**KD-49XD8305**






**SMART CORE (S)**

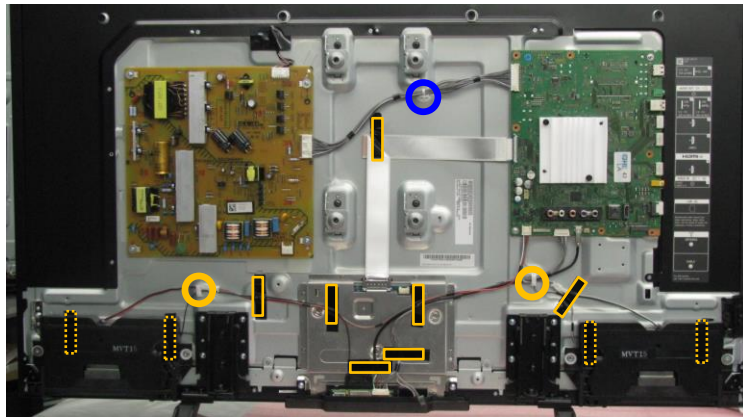


# WIRE DRESSING




## OVERVIEW

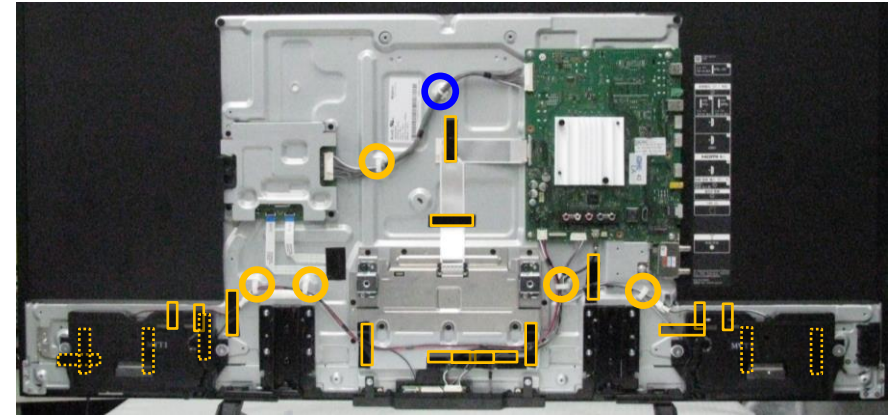
**KD-43XD8005/8077/8088/8099**  
**FW-43XD8001**

-  VA Tape x11  
• Fix wire
-  Harness Tie x1  
• Fix wire
-  Slide Clamp x2  
• Hold wires

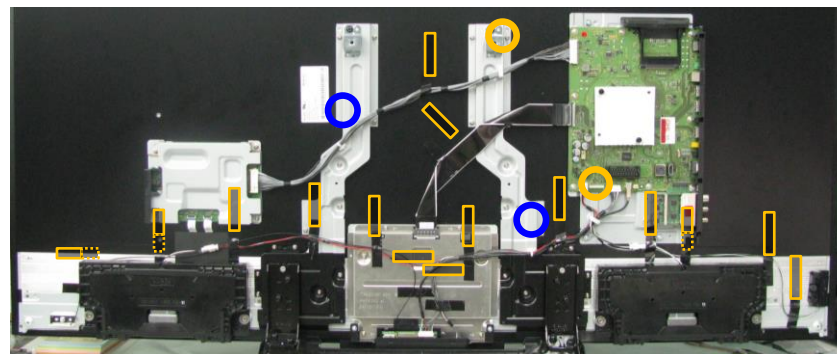





**KD-49XD8005/8077/8088/8099**  
**FW-49XD8001**

-  VA Tape x20  
• Fix wire
-  Harness Tie x1  
• Fix wire
-  Slide Clamp x5  
• Hold wires



**KD-55XD8005**

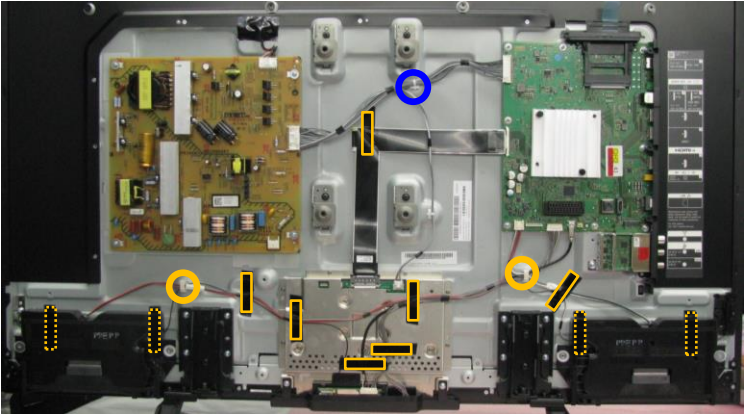


-  VA Tape x15  
• Fix wire
-  Harness Tie x2  
• Fix wire
-  Slide Clamp x2  
• Hold wires

OVERVIEW

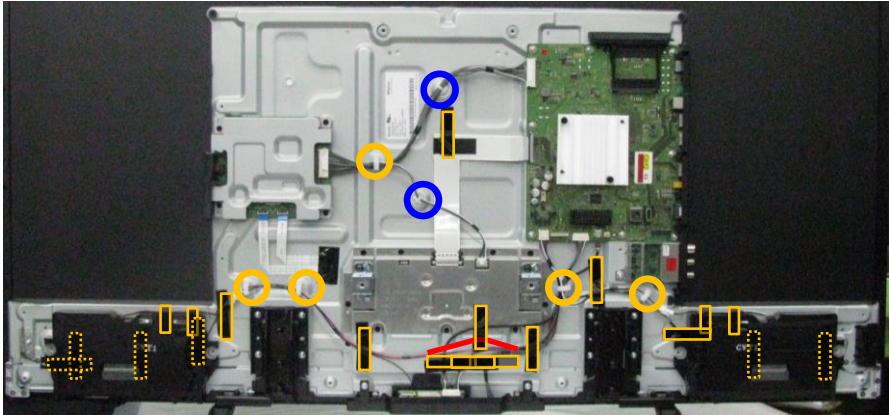
KD-43XD8305

- VA Tape x11  
• Fix wire
- Harness Tie x1  
• Fix wire
- Slide Clamp x2  
• Hold wires



KD-49XD8305

- VA Tape x20  
• Fix wire
- Harness Tie x2  
• Fix wire
- Slide Clamp x5  
• Hold wires

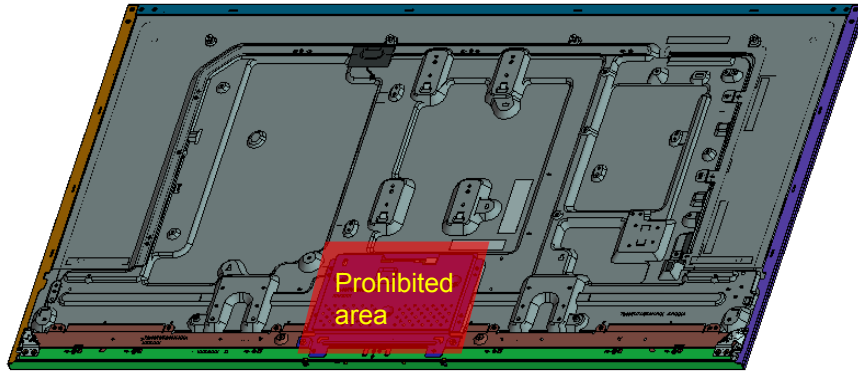


# PANEL HANDLING

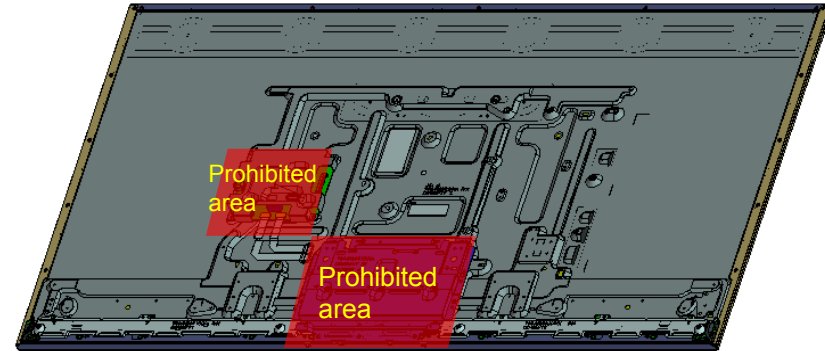
## PANEL HANDLING PROHIBITED AREA

Please do not touch red area (T-CON& LD Area) and glass(Screen), when you hold a panel.

KD-43XD8005/8077/8088/8099/8305,  
FW-43XD8001

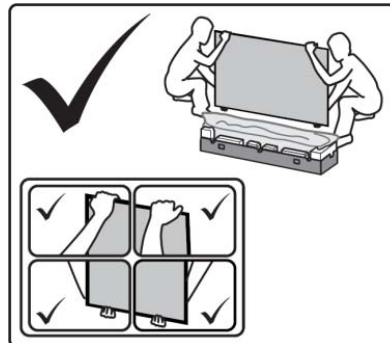


KD-49XD8005/8077/8088/8099/8305,  
FW-49XD8001, KD-55XD8005





Panel illustrations may be different from the actual.

### Glass(Screen)surface

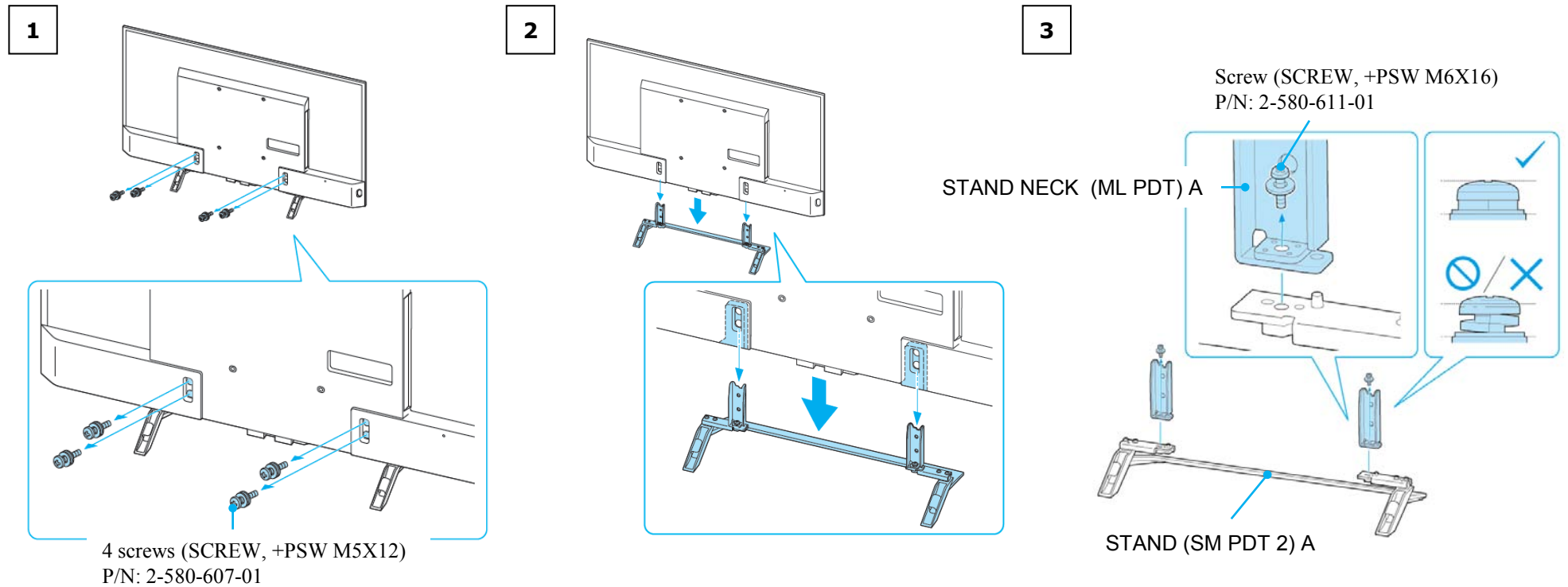


# DISASSEMBLY

- There are clutch in the yellow frame[  ]. Therefore please be careful in the case of the disassembly or assembly of parts.
- [  ] indicates the part to disconnect or remove from the connectors or clampers.

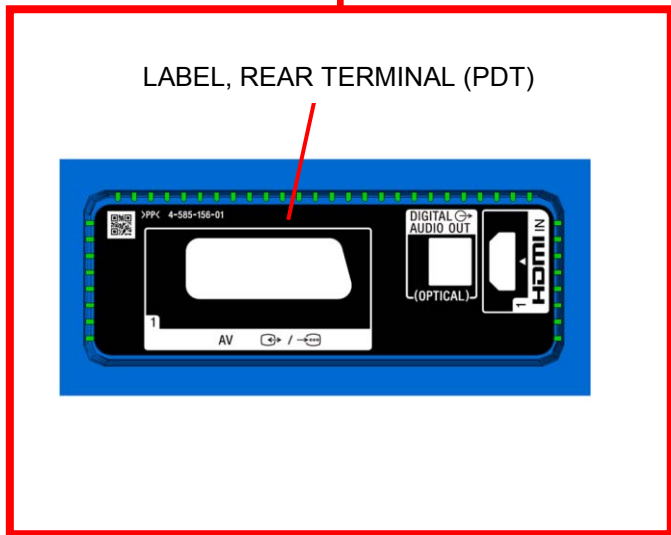
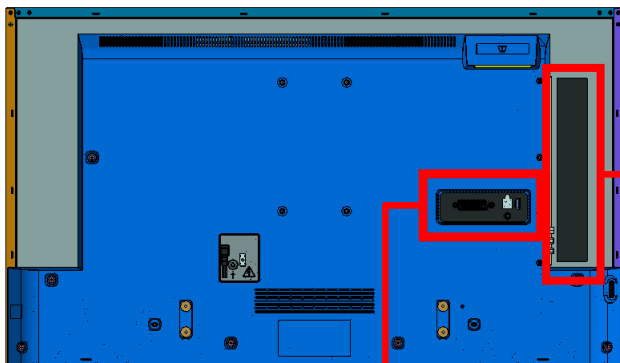
## 1. KD-43XD8005/8077/8088/8099, FW-43XD8001

### 1-1. STAND NECK (ML PDT) A AND STAND (SM PDT 2) A



# 1. KD-43XD8005/8077/8088/8099, FW-43XD8001

## 1-2. LABEL, REAR TERMINAL (PDT) AND LABEL, SIDE TERMINAL(PDT)



When you do panel replacement, please also replace this part at the same time to a new one.

LABEL, SIDE TERMINAL(PDT)

Align the label to the marking,  
 ① corner edge  
 ② left side line

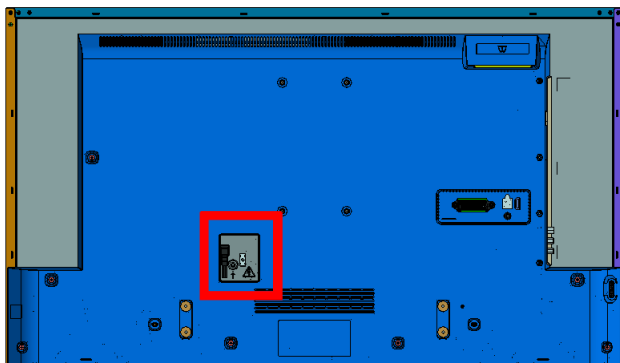
To prevent bubbles from entering,  
 Please stroked the label from the top side to bottom side.

Caution: Don't damage to LABEL. Scratch, deform, dirty etc....

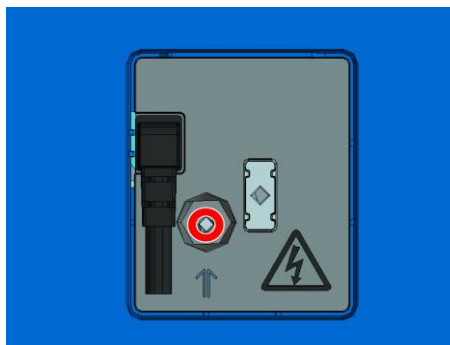


1. KD-43XD8005/8077/8088/8099, FW-43XD8001

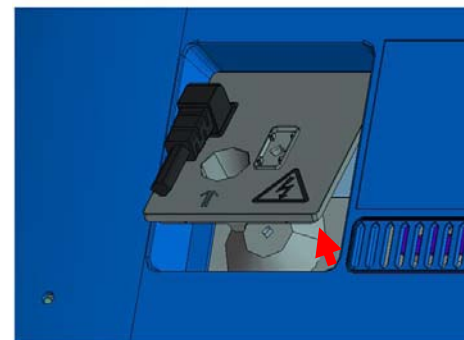
1-3. AC COVER AND POWER-SUPPLY CORD (WITH CONN.)



1

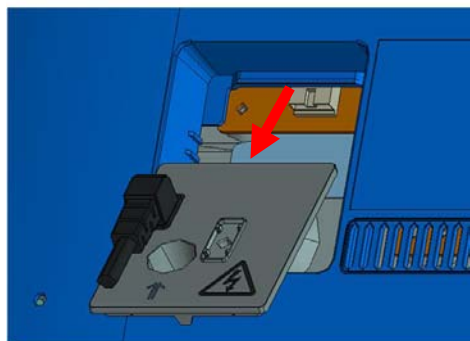


2

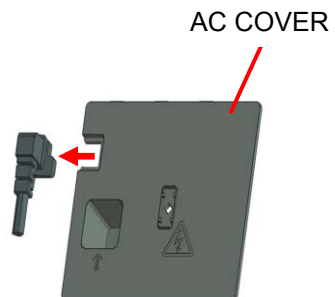


⊙ Screw (SCREW, +PSW M4X10) P/N: 4-159-298-01

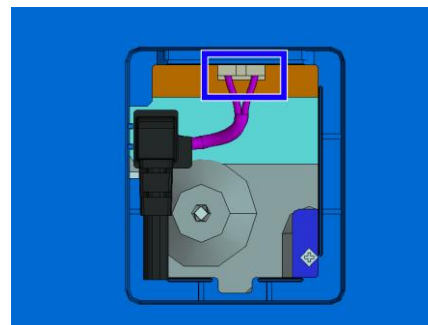
3



4

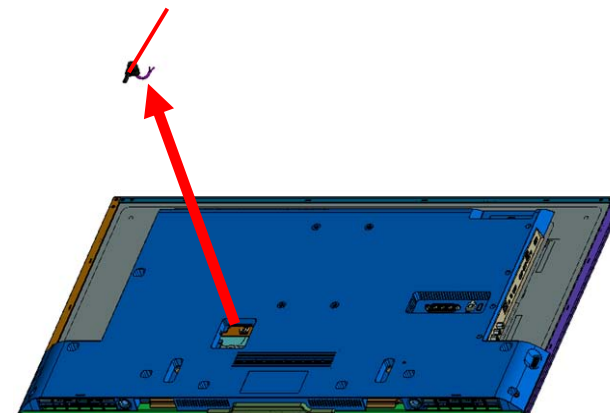


5



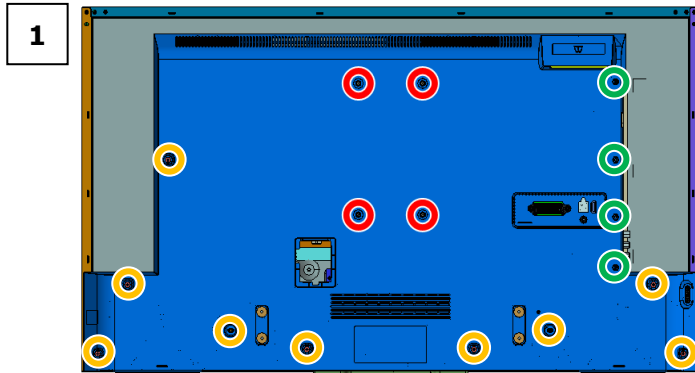
6

POWER-SUPPLY CORD (WITH CONN.)

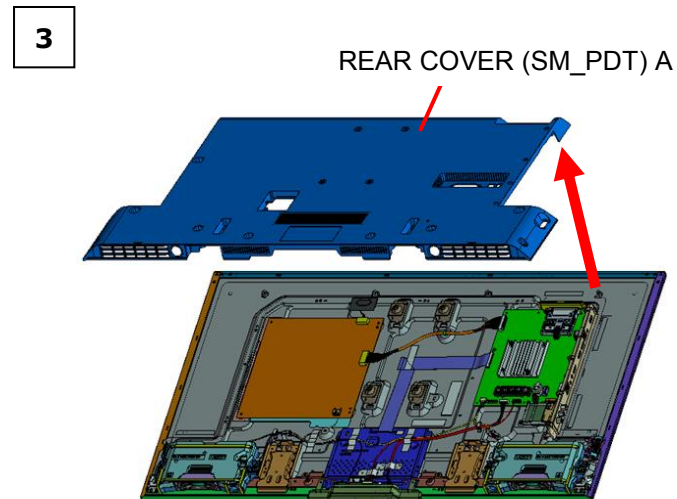
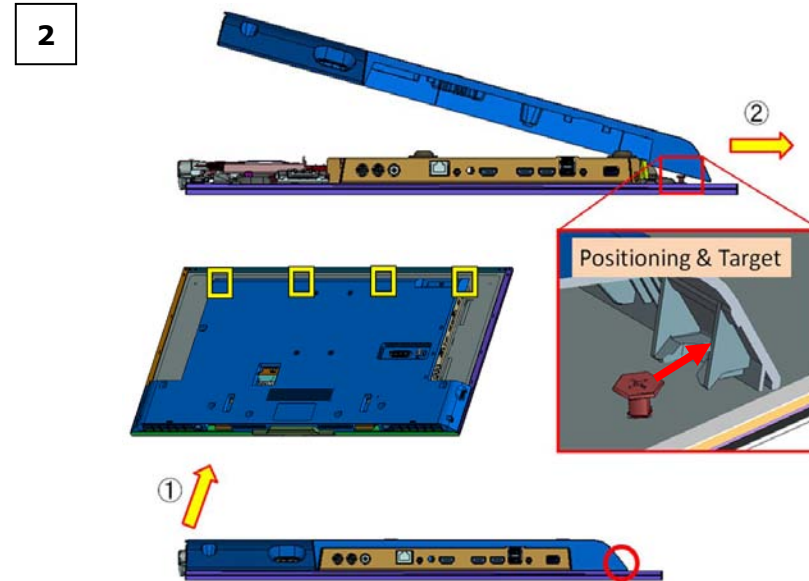


# 1. KD-43XD8005/8077/8088/8099, FW-43XD8001

## 1-4. REAR COVER (SM\_PDT) A

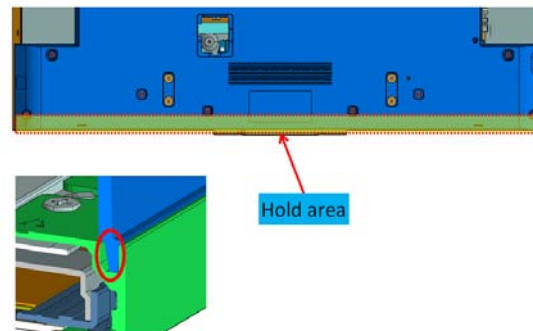


- 4 screws (SCREW, ORNAMENTAL M6X12) P/N: 4-268-126-02
- 4 screws (SCREW +BVTP 3X10 TYPE2 IT-3) P/N: 7-685-647-79
- 9 screws (SCREW M3X3.0 STEP) P/N: 4-579-926-01

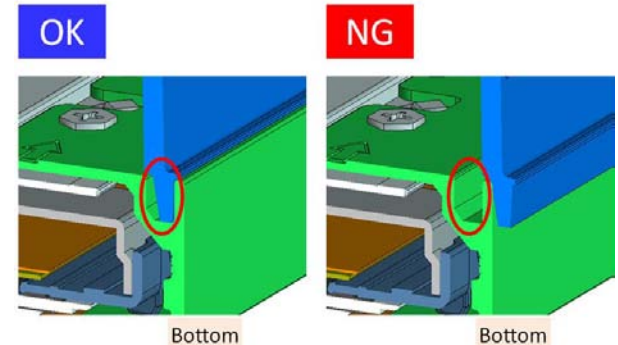


**NOTE:**

Hold R/C to not floating while screwing.

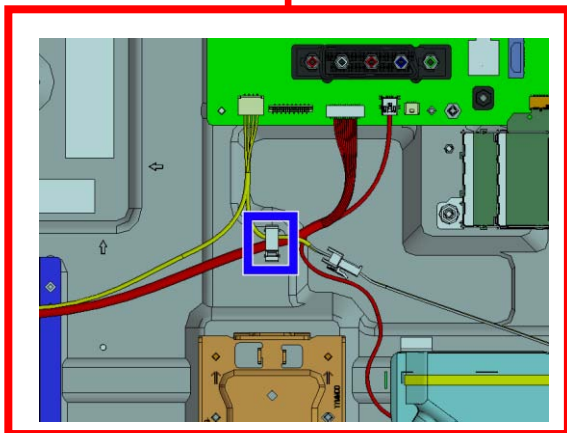
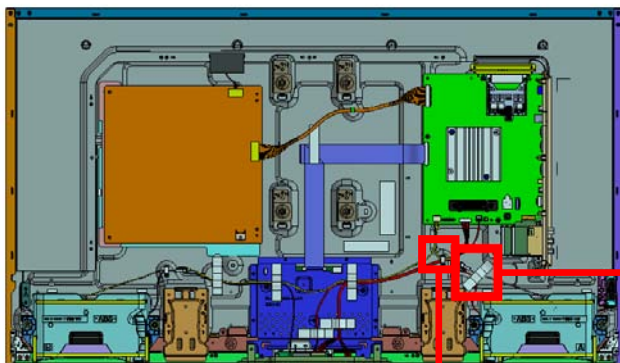


Ensure R/C is installed to slit of panel.



# 1. KD-43XD8005/8077/8088/8099, FW-43XD8001

## 1-5. TAPE AND WIRE DRESSING



Pinching wire

TAPE

SP relay connector direction

OK NG

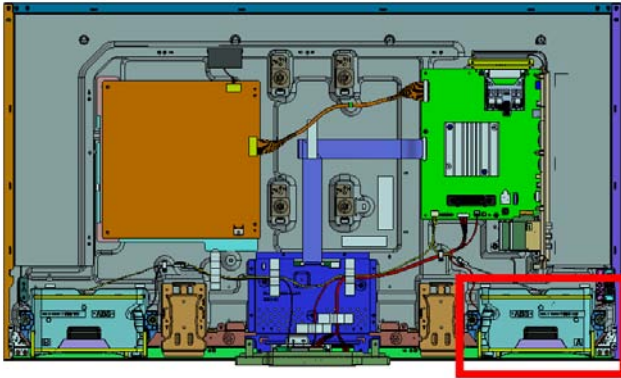
Lock structure

Lock structure face except NG direction.

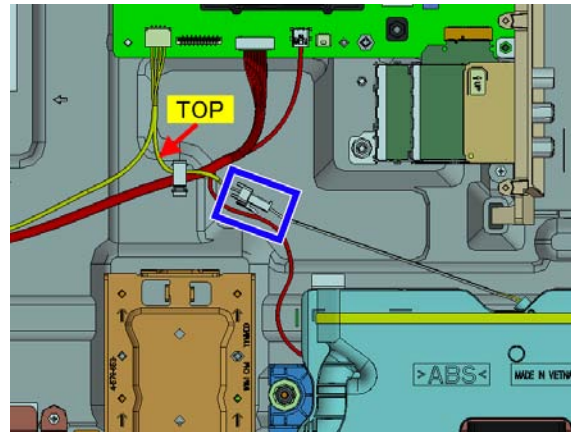
Lock structure face Back Chassis side.

1. KD-43XD8005/8077/8088/8099, FW-43XD8001

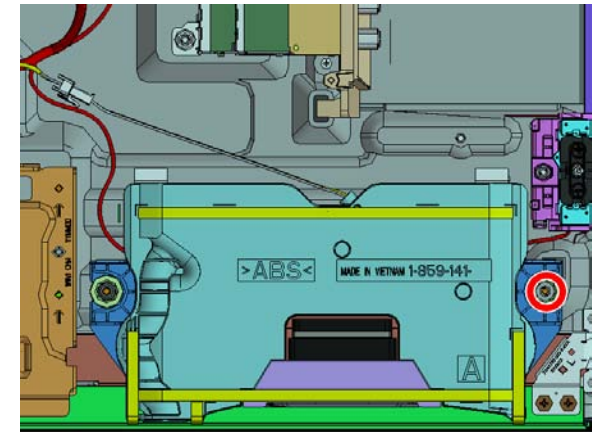
1-6. SP-BOX ASSY, W25(S)-KA



1

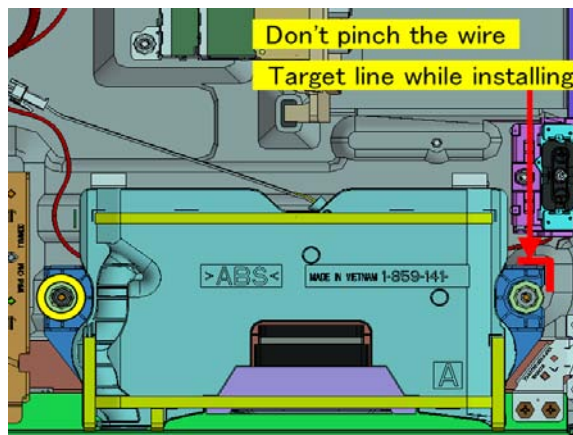


2

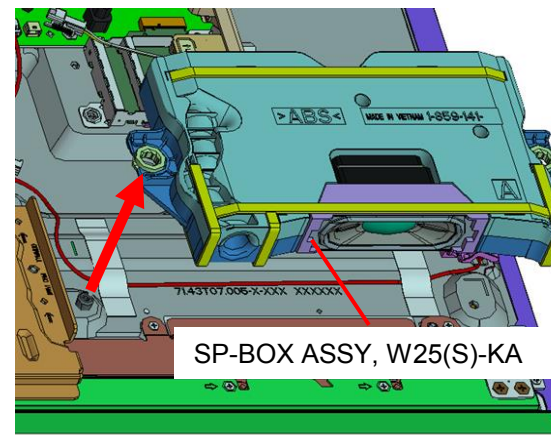


○ Screw (PULLEY, SP(PDT)) P/N: 4-579-924-01

3

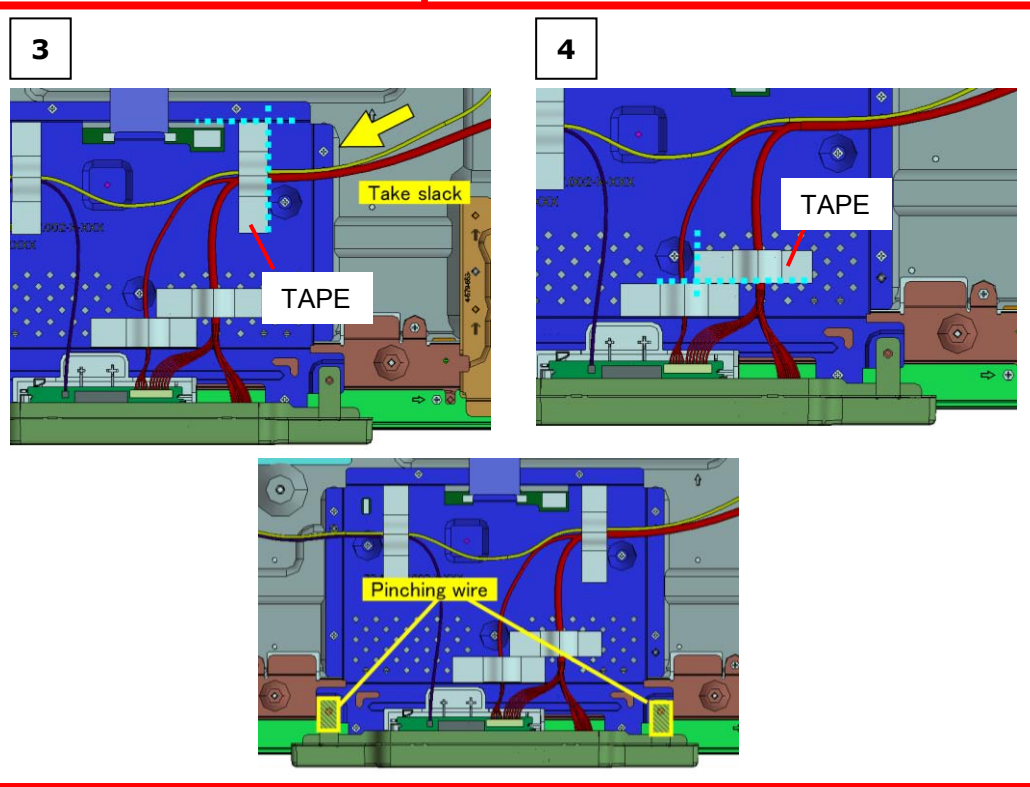
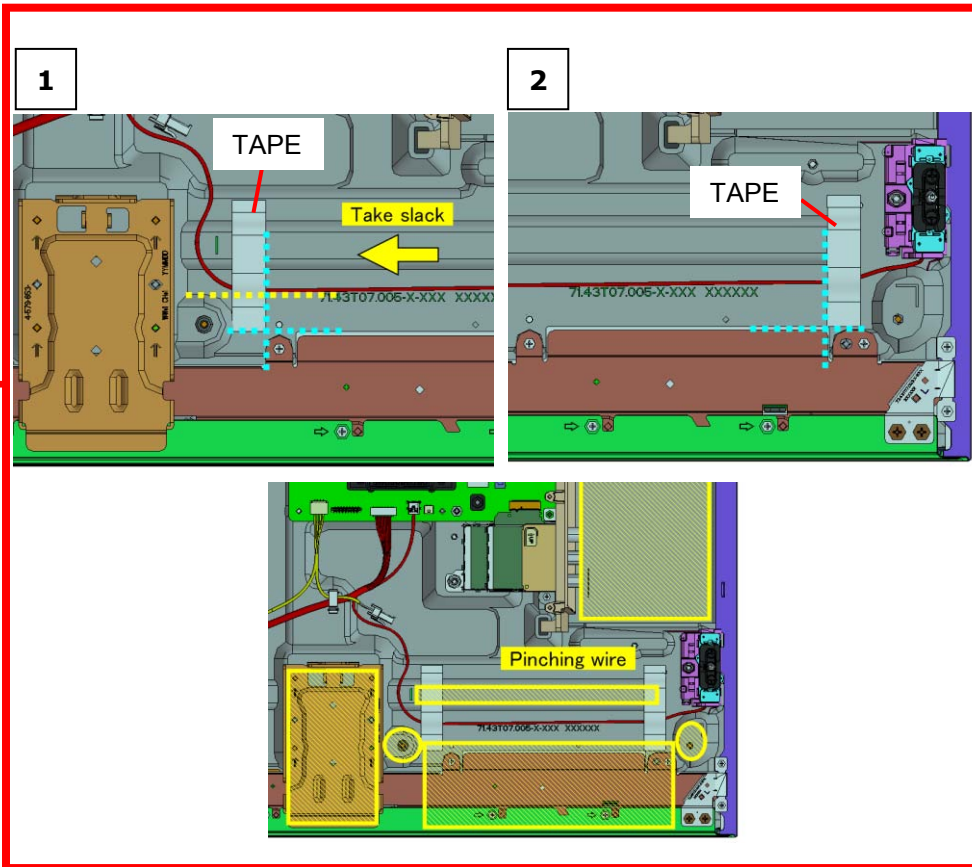
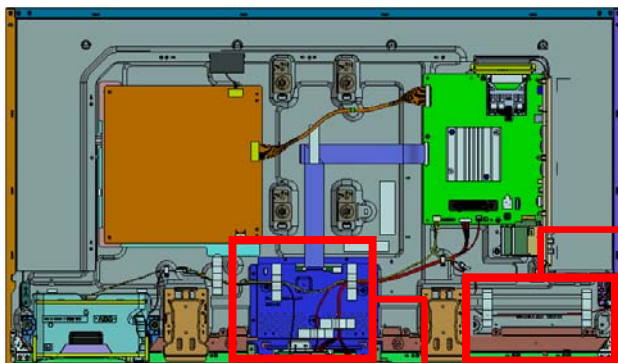


4



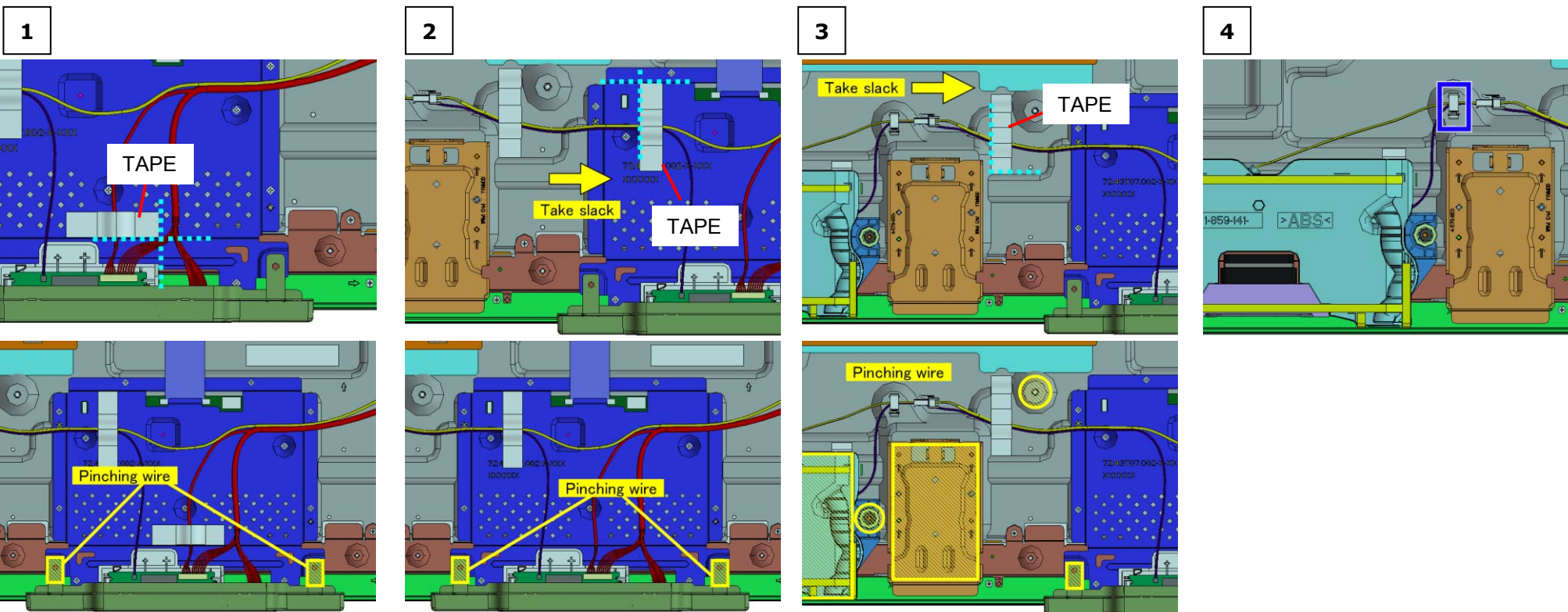
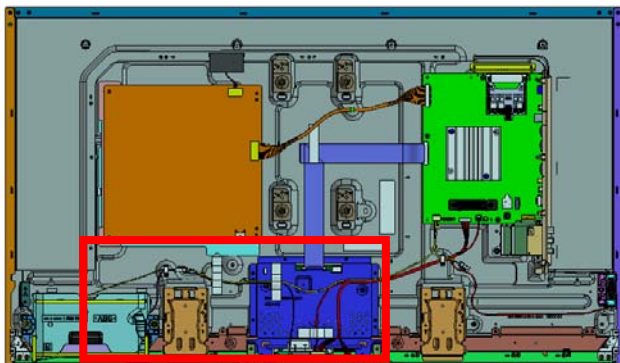
# 1. KD-43XD8005/8077/8088/8099, FW-43XD8001

## 1-7. TAPE



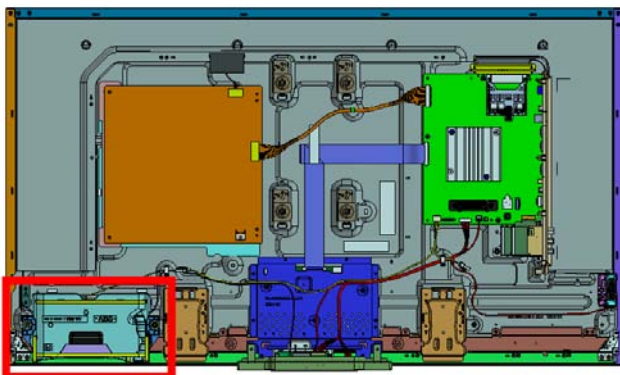
# 1. KD-43XD8005/8077/8088/8099, FW-43XD8001

## 1-8. TAPE AND WIRE DRESSING

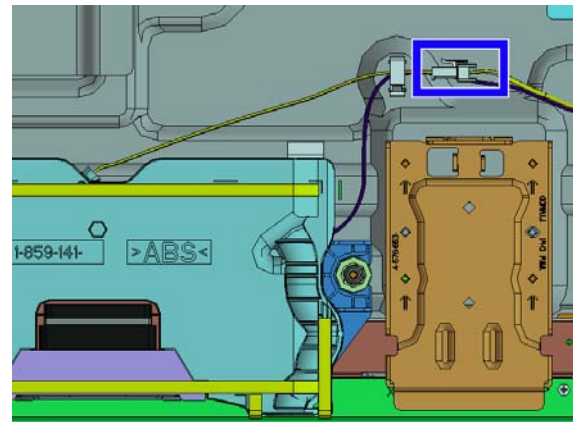


1. KD-43XD8005/8077/8088/8099, FW-43XD8001

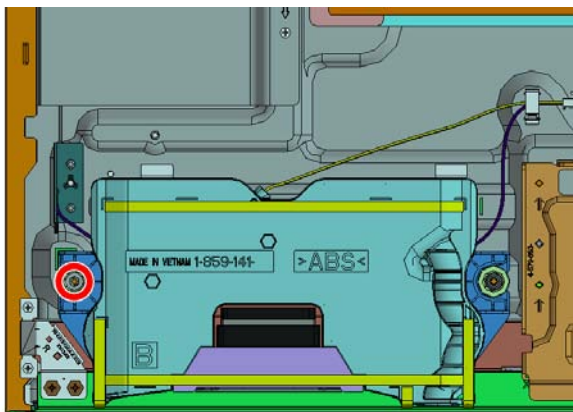
1-9. SP-BOX ASSY, W25(S)-KB



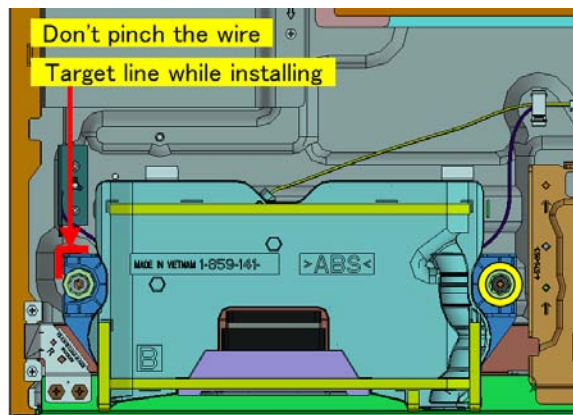
1



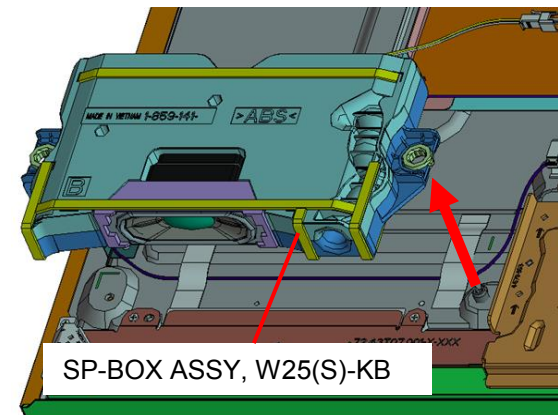
2



3



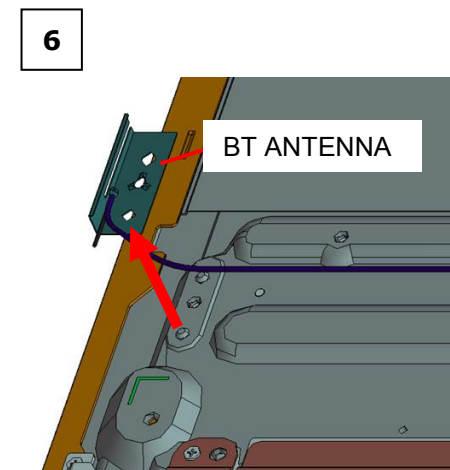
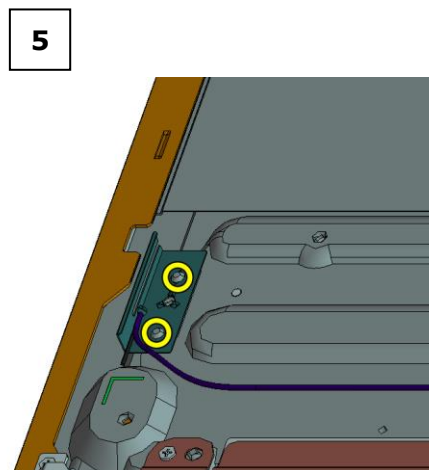
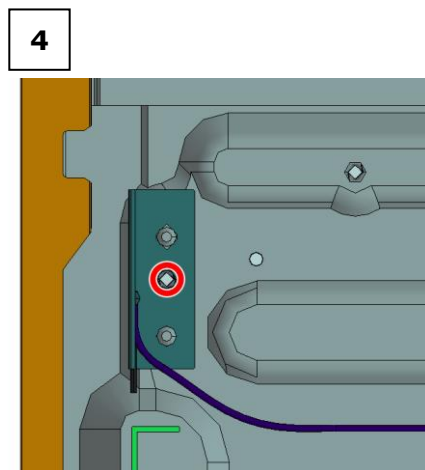
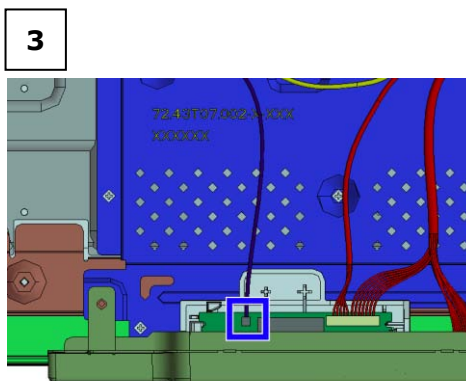
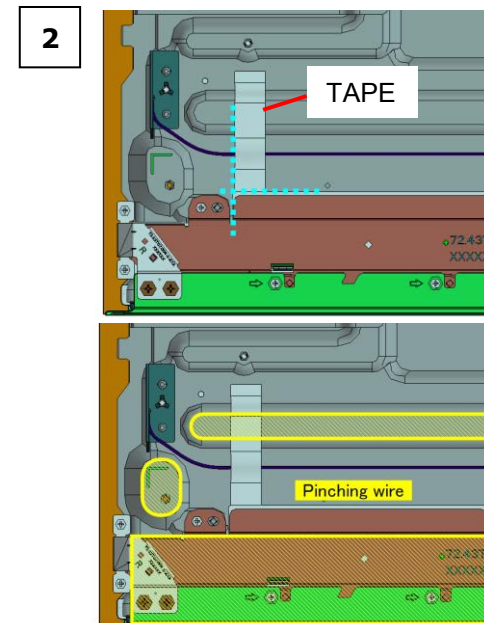
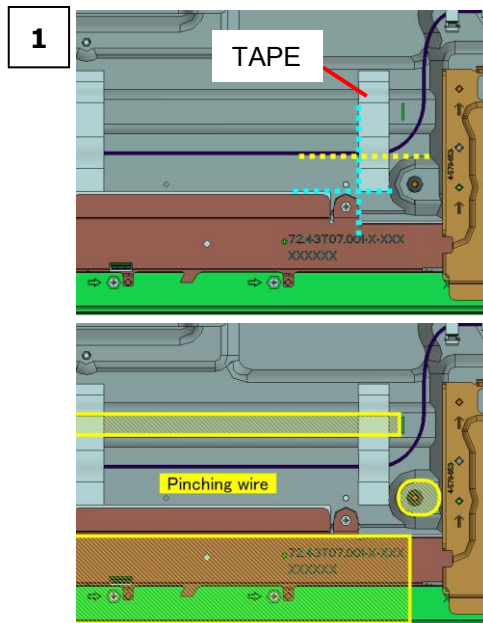
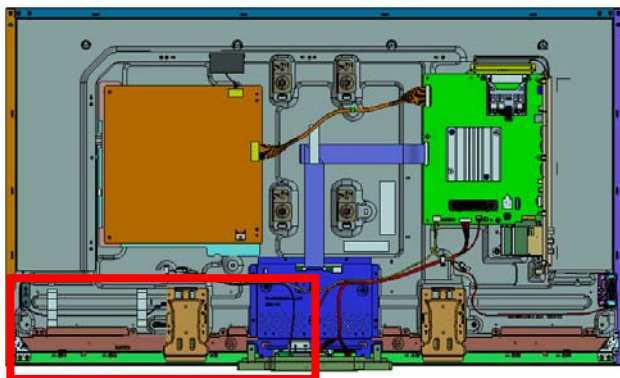
4



○ Screw (PULLEY, SP(PDT)) P/N: 4-579-924-01

1. KD-43XD8005/8077/8088/8099, FW-43XD8001

1-10. TAPE AND BT ANTENNA

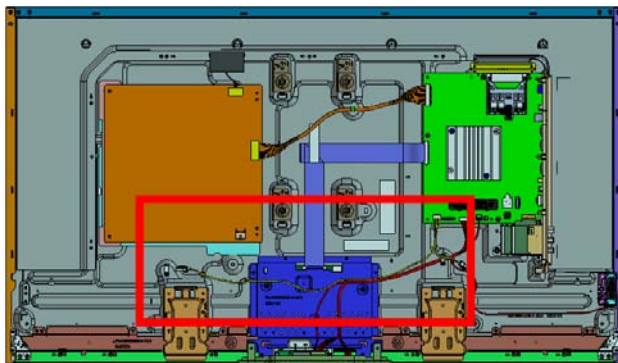


○ Screw (SCREW, +PSW M3X6) P/N: 4-472-518-11

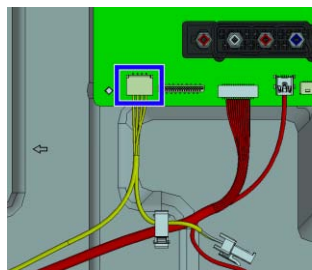


# 1. KD-43XD8005/8077/8088/8099, FW-43XD8001

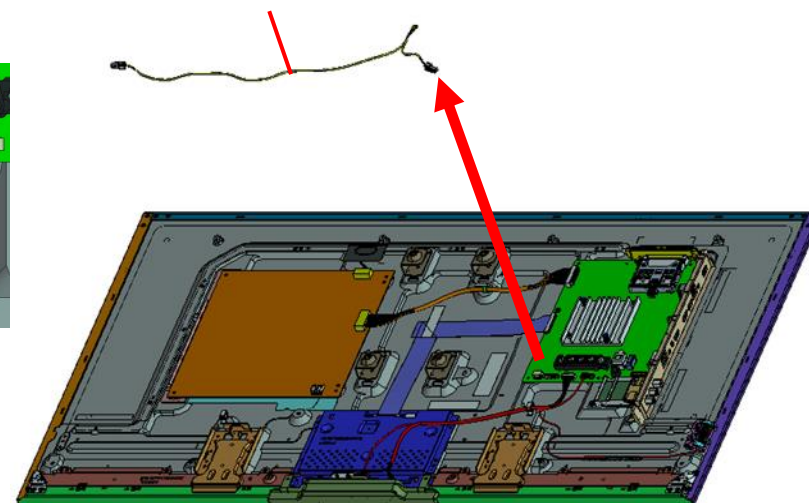
## 1-11. CONNECTOR ASSY 4P AND WIRE DRESSING



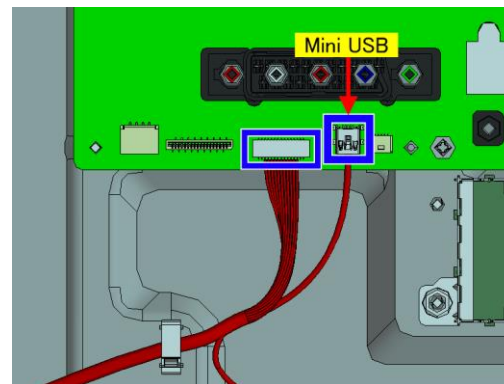
1



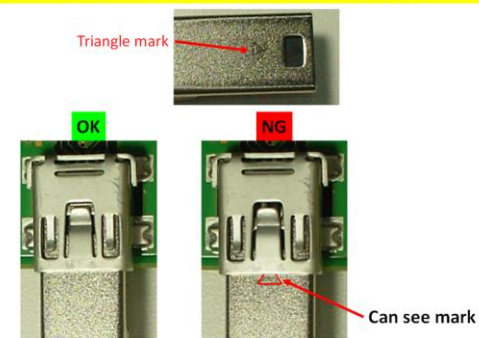
CONNECTOR ASSY 4P  
P/N: 1-910-110-99



2

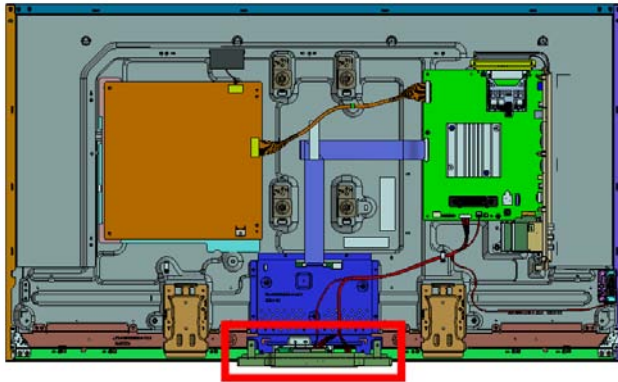


Check Mini USB connector condition.



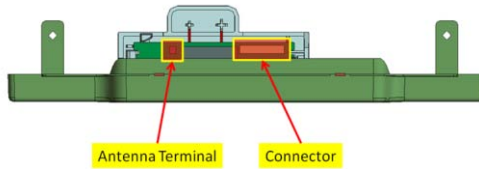
1. KD-43XD8005/8077/8088/8099, FW-43XD8001

1-12. SMART CORE (S)

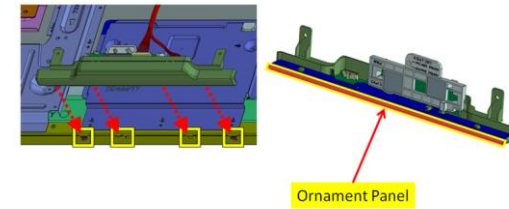


NOTE:

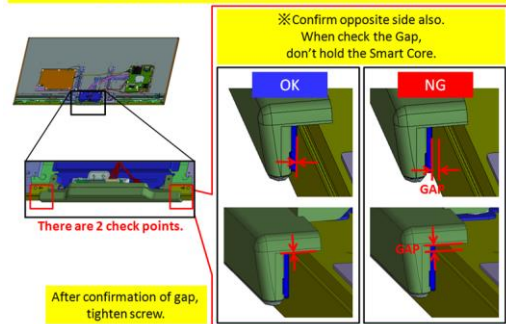
Don't touch these components while installing.



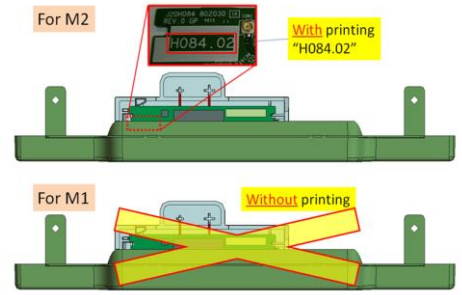
Don't scratch O/P with Bezel while installing.



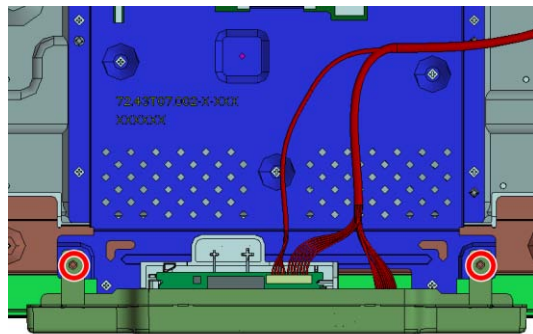
Confirm Smart Core is assembled properly before tightening screw of Smart Core.



How to distinguish SC for M1 and M2

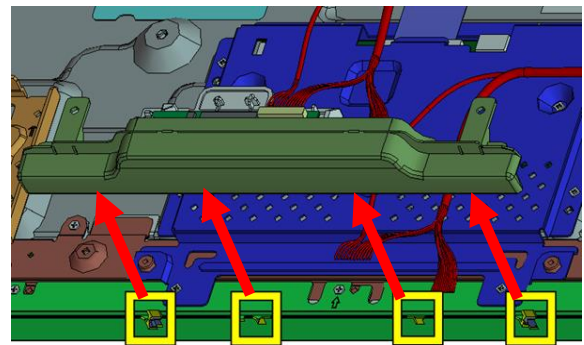


1

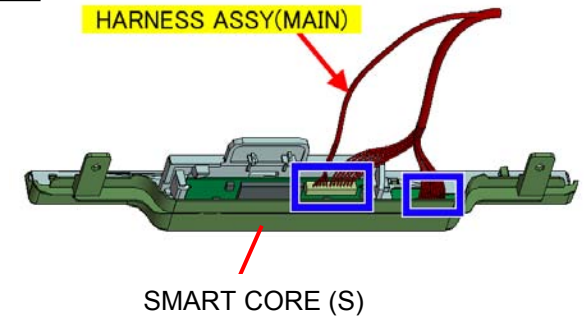


2 screws (SCREW, +PSW M3X6) P/N: 4-472-518-11

2

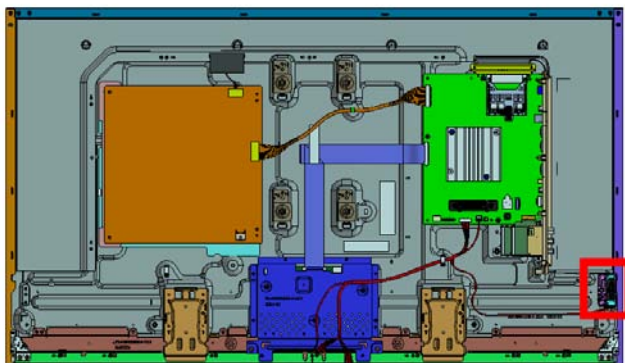


3

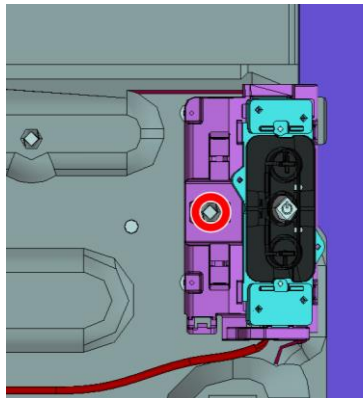


# 1. KD-43XD8005/8077/8088/8099, FW-43XD8001

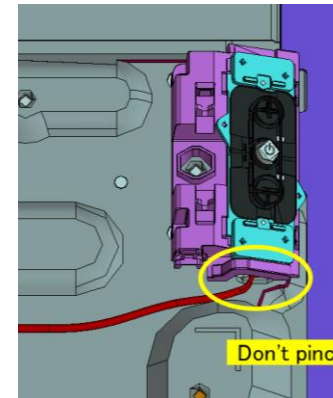
## 1-13. HOLDER SIDE SW(PDT) AND SWITCH UNIT (3M-P)



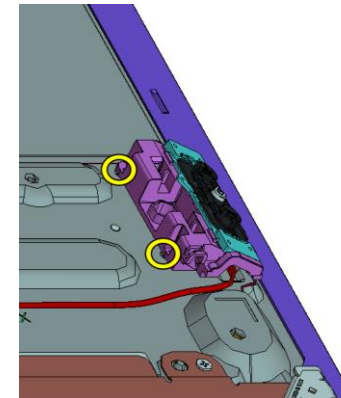
1



2

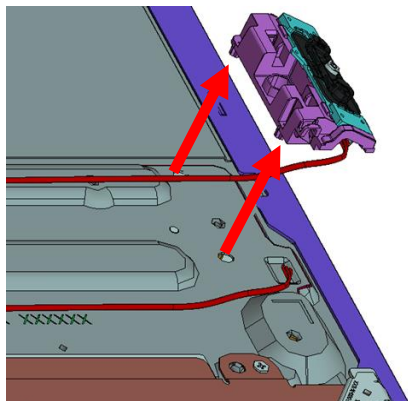


3

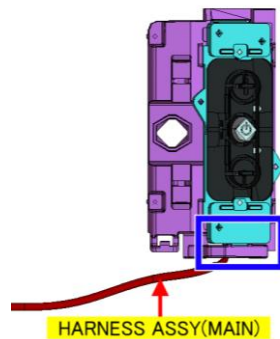


○ Screw (SCREW M3X3.0 STEP) P/N: 4-579-926-01

4



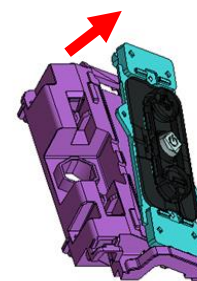
5



6

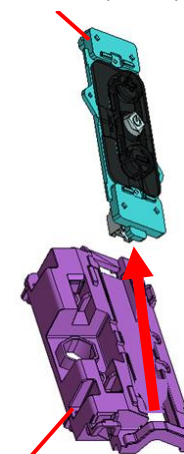


7



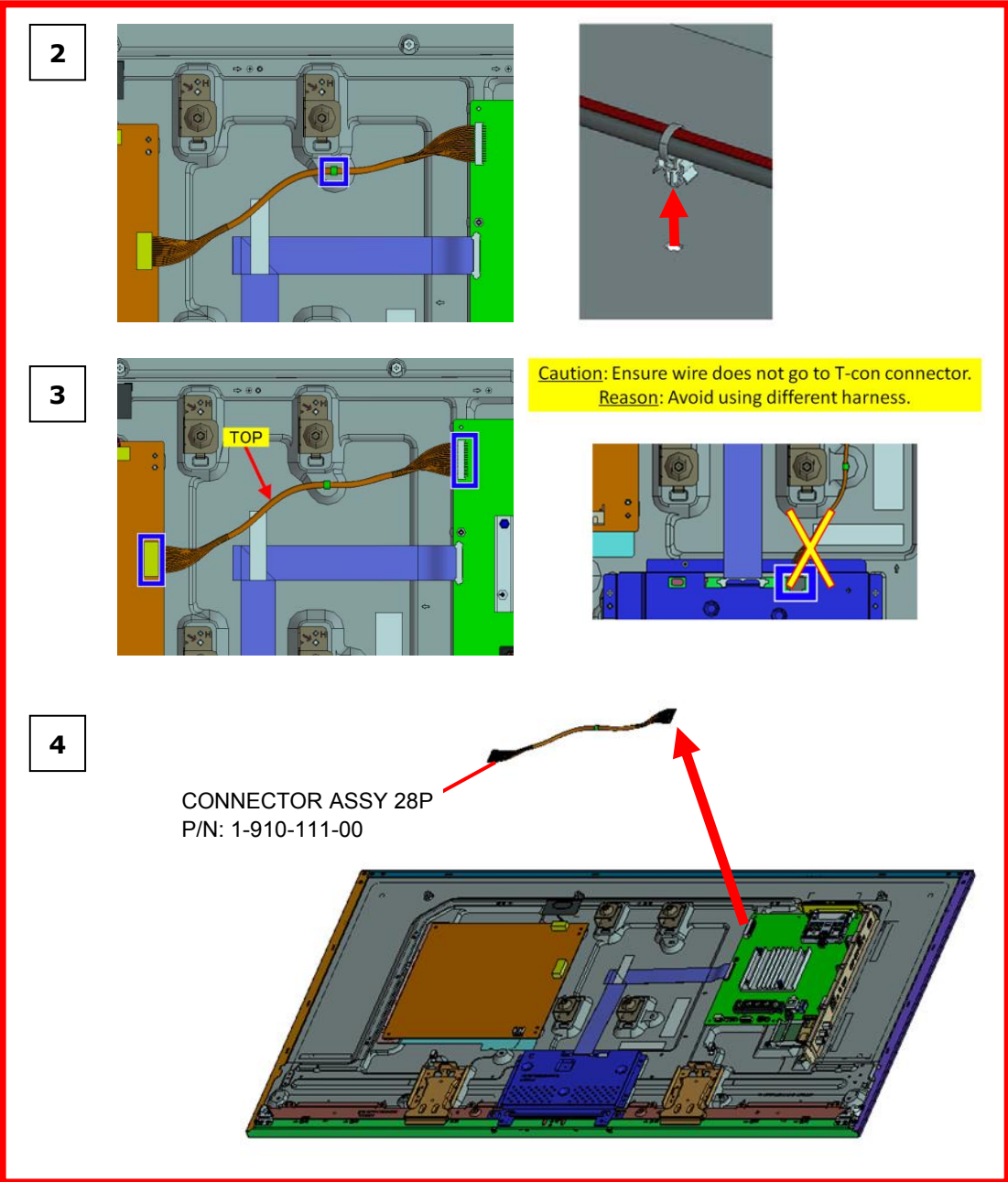
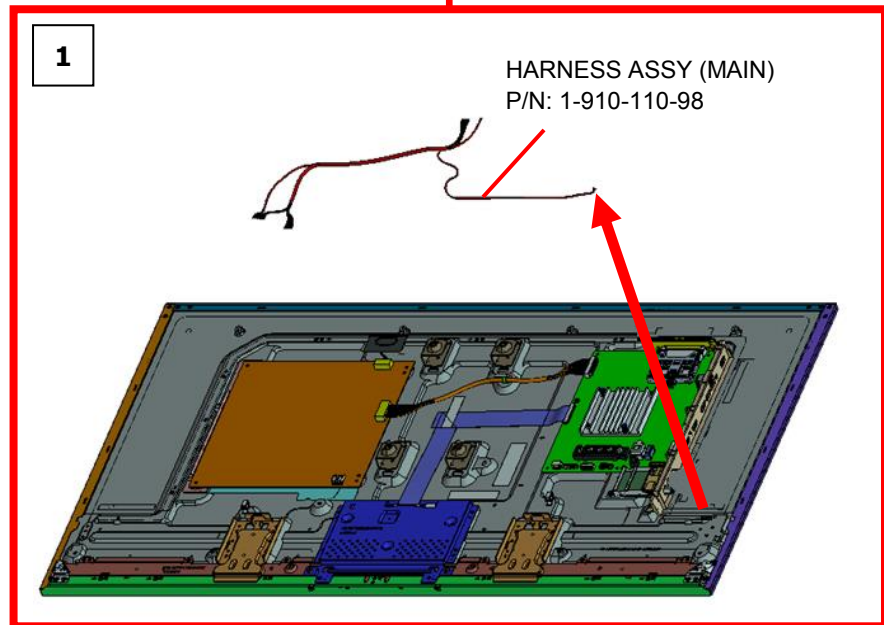
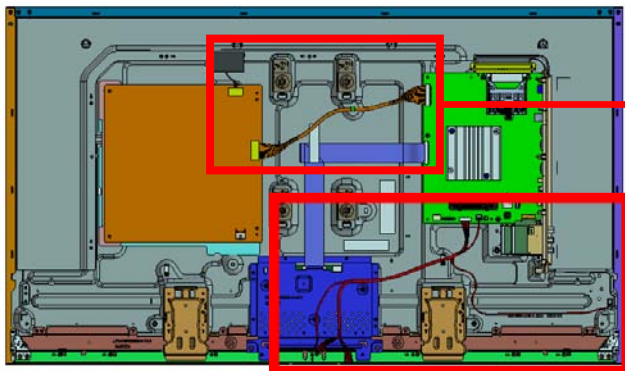
8

SWITCH UNIT (3M-P)



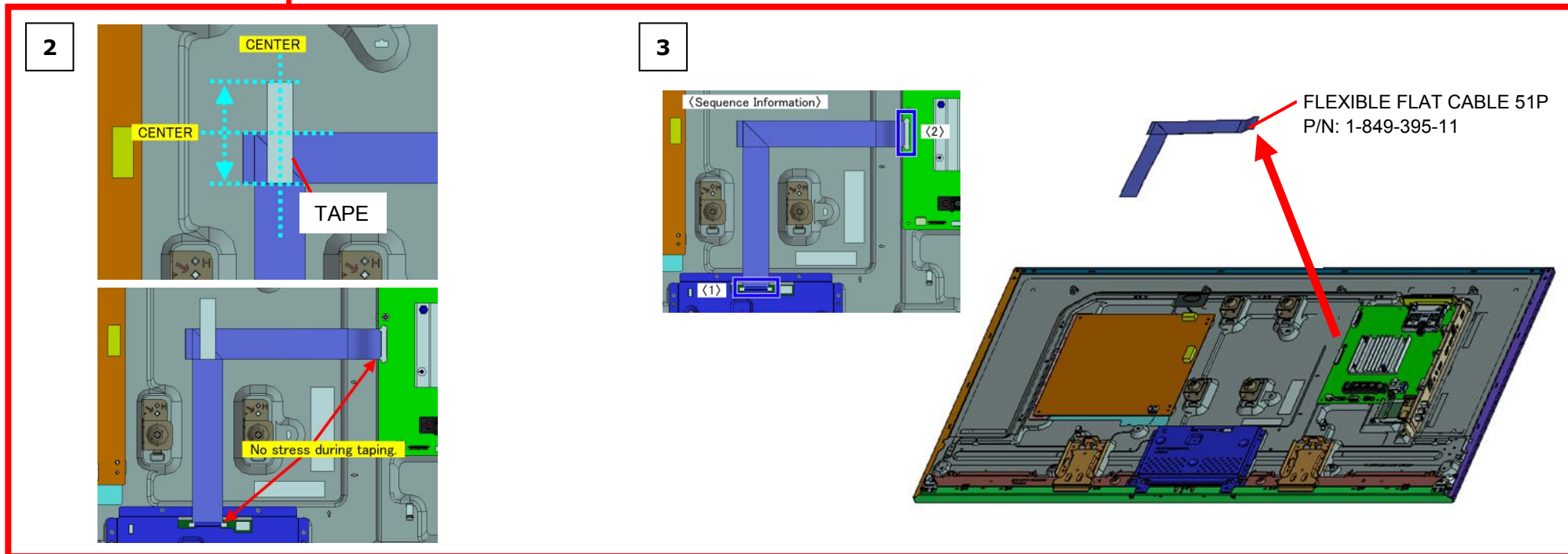
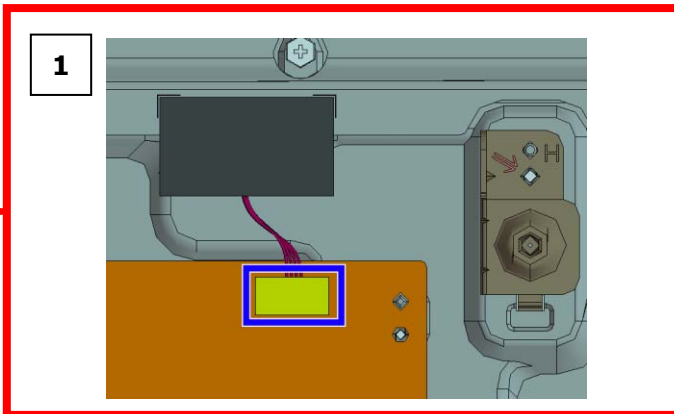
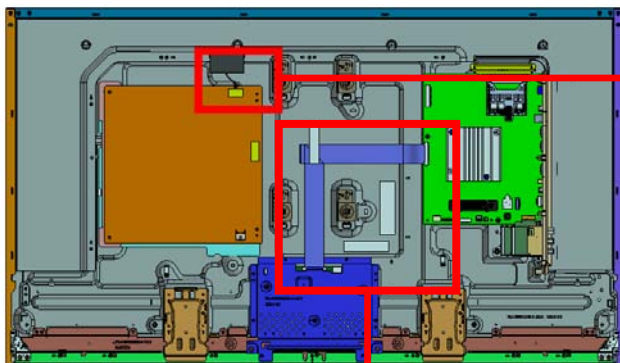
HOLDER SIDE SW(PDT)

1. KD-43XD8005/8077/8088/8099, FW-43XD8001  
1-14. HARNESS ASSY (MAIN) AND CONNECTOR ASSY 28P



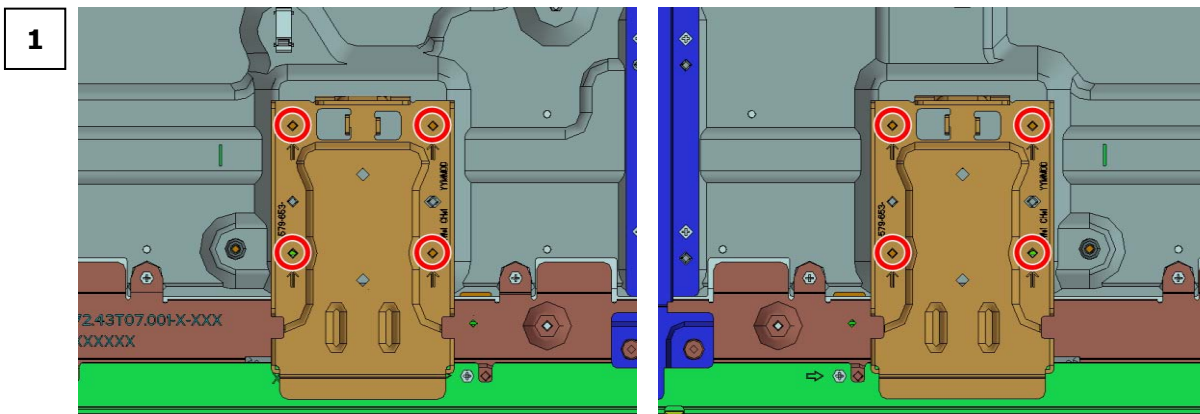
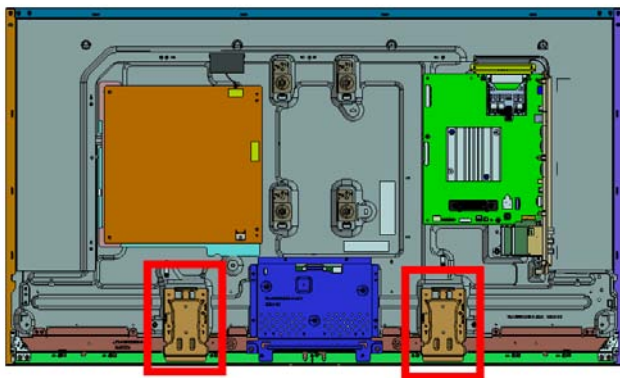
# 1. KD-43XD8005/8077/8088/8099, FW-43XD8001

## 1-15. WIRE DRESSING AND TAPE AND FLEXIBLE FLAT CABLE 51P

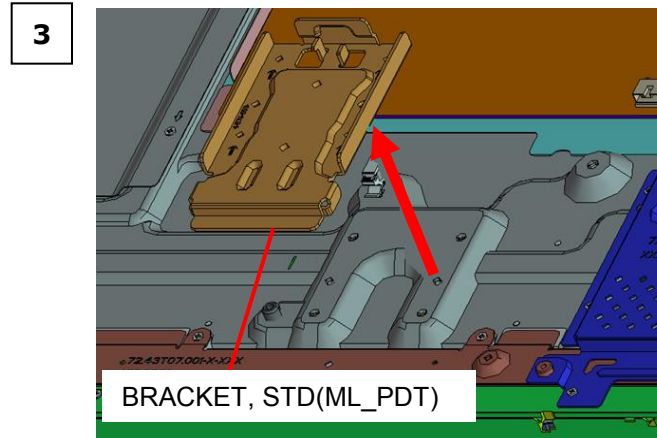
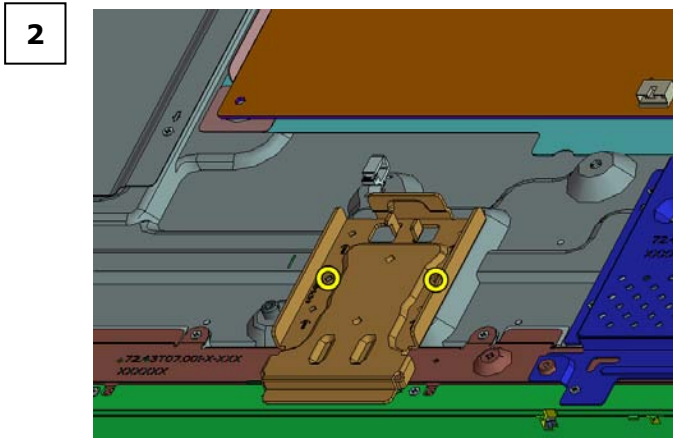


# 1. KD-43XD8005/8077/8088/8099, FW-43XD8001

## 1-16. BRACKET, STD(ML\_PDT)

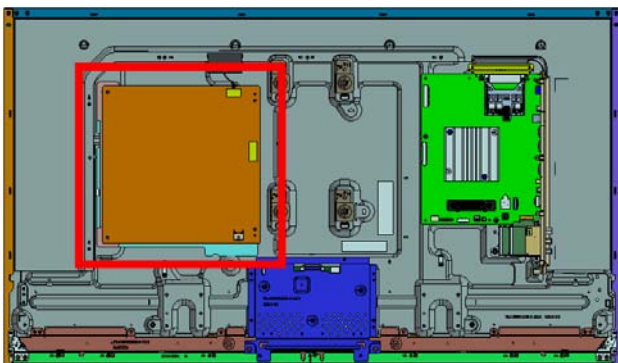


8 screws (SCREW, +PSW M3X6) P/N: 4-472-518-11

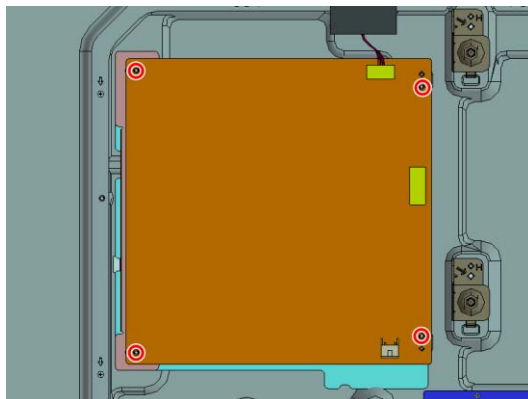


1. KD-43XD8005/8077/8088/8099, FW-43XD8001

1-17. SPACER(22)+C AND GL4H



1

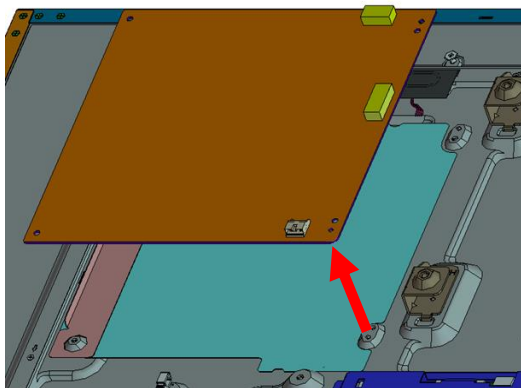


2



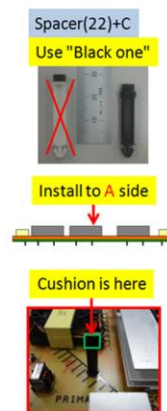
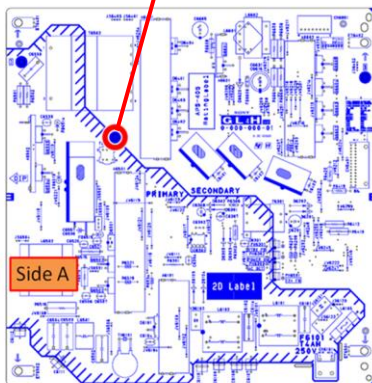
4 screws (SCREW, +PSW M3X6 W12) P/N: 4-256-393-12

3

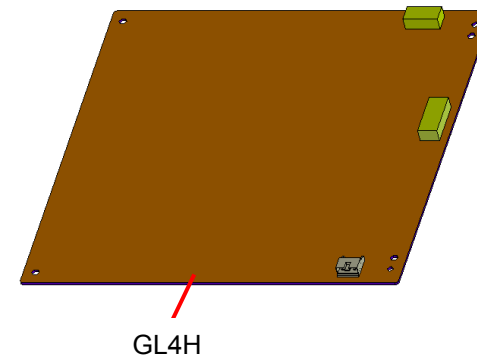


4

SPACER(22)+C  
P/N:4-449-083-11

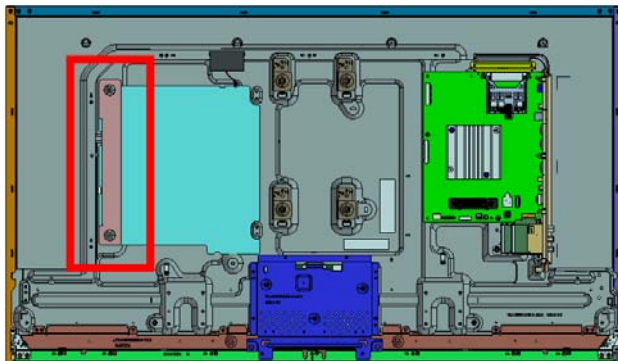


5



1. KD-43XD8005/8077/8088/8099, FW-43XD8001

1-18. SHEET, INSULATION(PDT SM WALL)

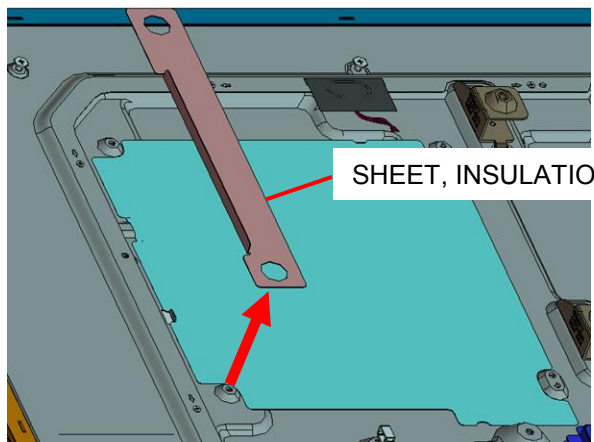


**NOTE:**

Adhesive tape area

**Caution**

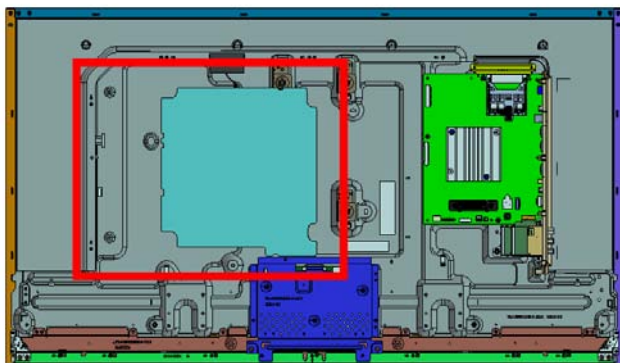
- When handling,
  - Be sure not to touch adhesive tape area.
- After installing,
  - Be sure to push all of adhesive tape area to avoid peel off of "Sheet, Insulation".





1. KD-43XD8005/8077/8088/8099, FW-43XD8001

1-19. SHEET, INSULATION (PDT SM)



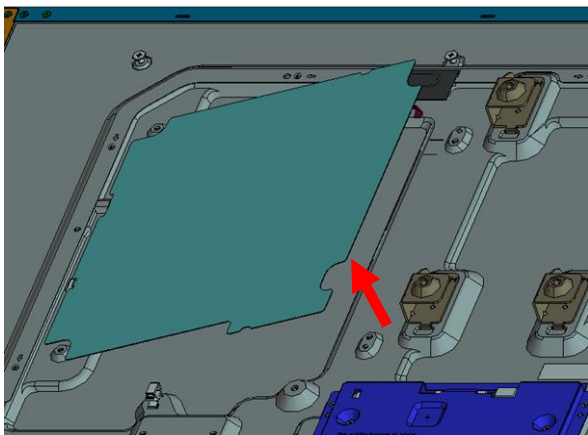
**NOTE:**

Adhesive tape area

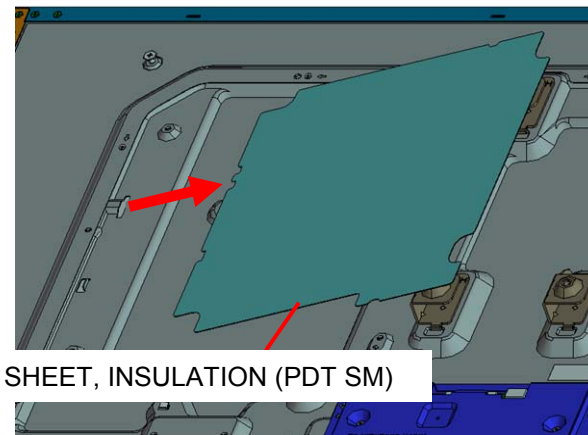
**Caution**

- When handling,
  - Be sure not to touch adhesive tape area.
- After installing,
  - Be sure to push all of adhesive tape area to avoid peel off of "Sheet, Insulation".

1

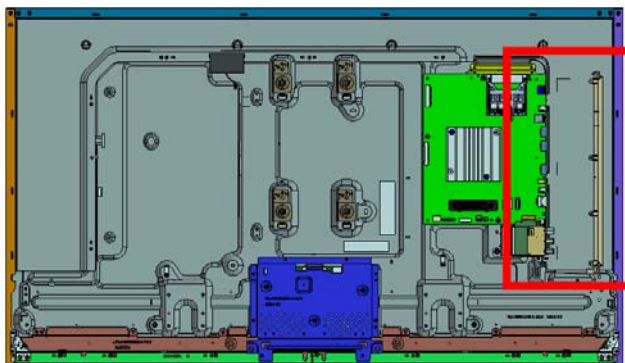


2

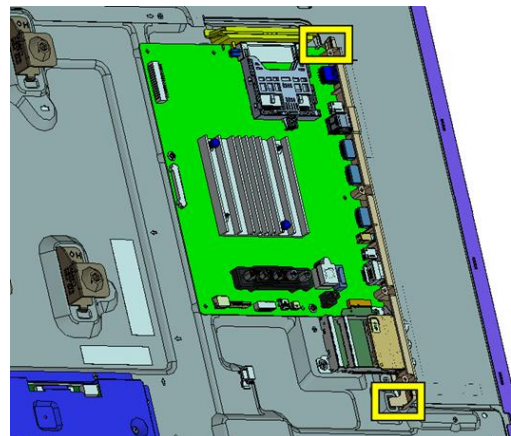


# 1. KD-43XD8005/8077/8088/8099, FW-43XD8001

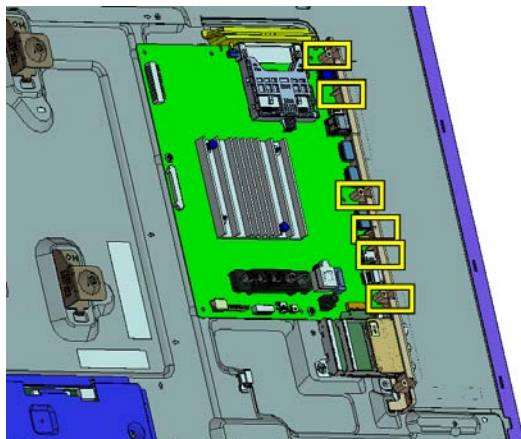
## 1-20. BRACKET, SIDE (PDT)



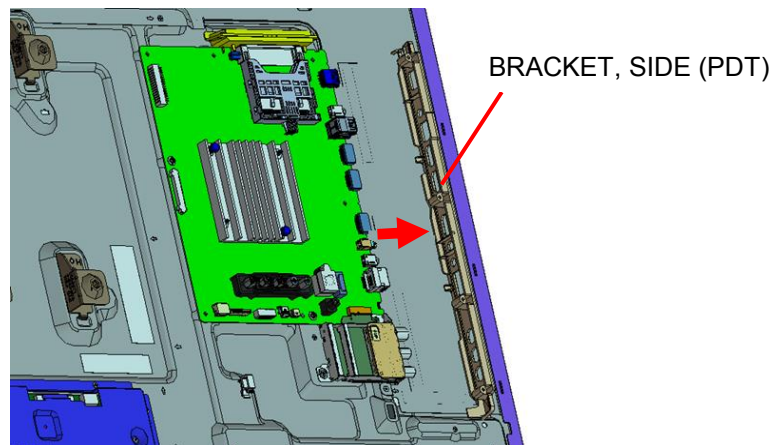
1



2

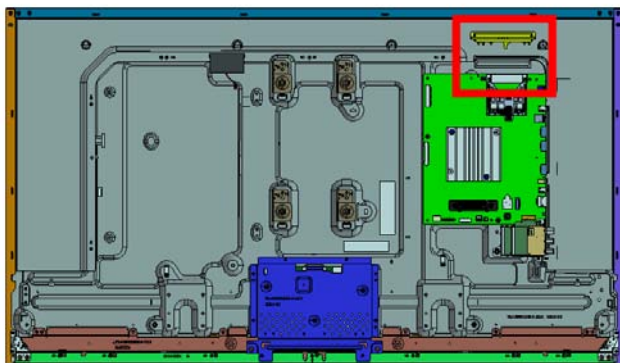


3

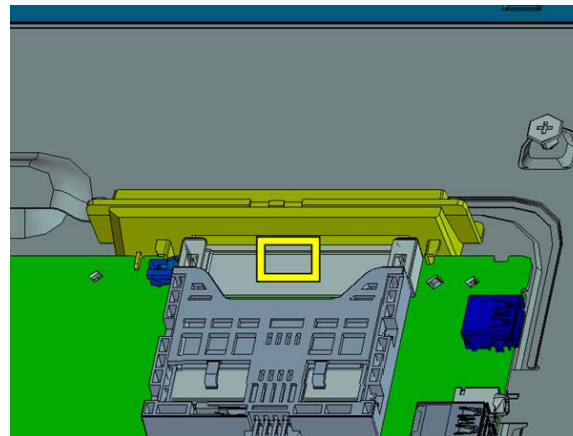


# 1. KD-43XD8005/8077/8088/8099, FW-43XD8001

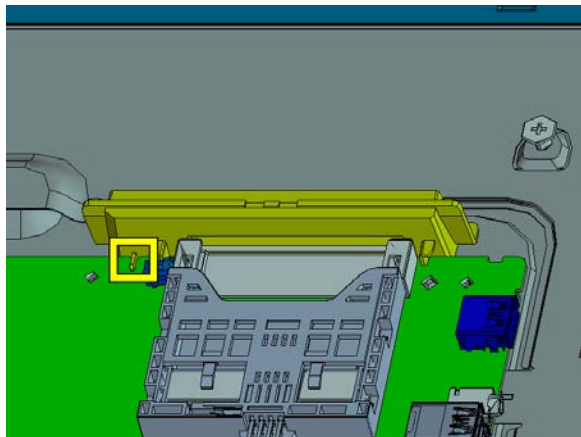
## 1-21. BRACKET, TOP FL (MOLD)



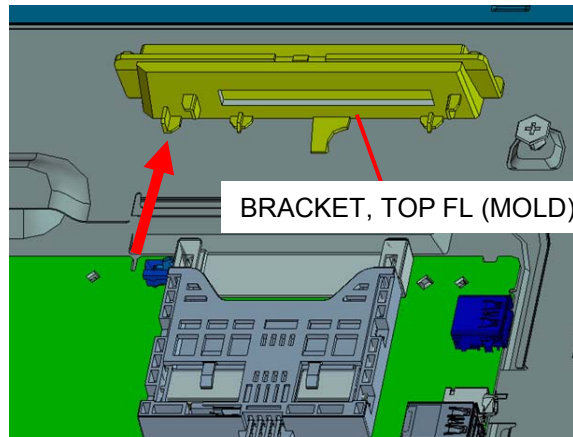
1



2



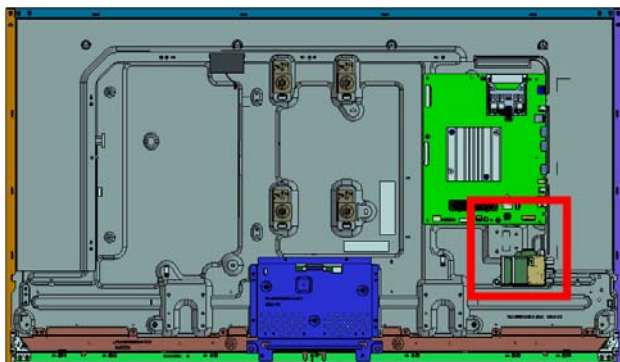
3



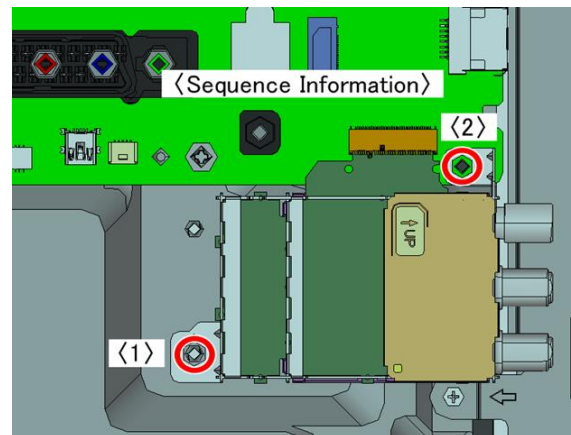
# 1. KD-43XD8005/8077/8088/8099, FW-43XD8001

## 1-22. UNIVERSAL SIL-TU

\* Please refer to "APPENDIX-3" for details.

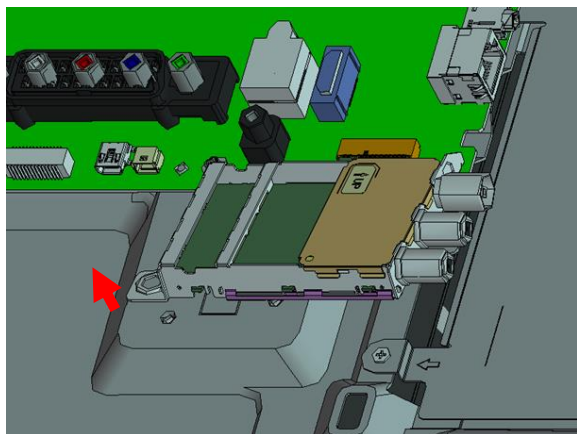


1

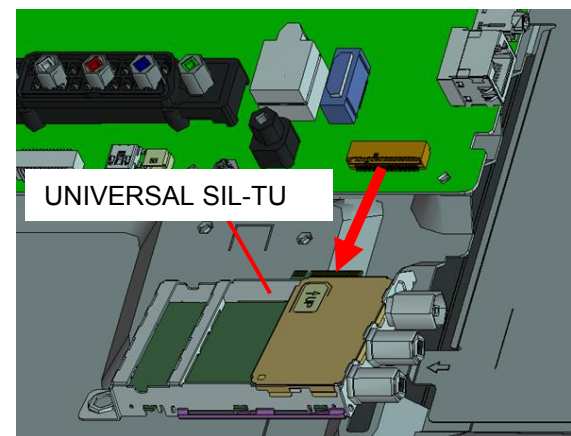


2 screws (SCREW, +PSW M3X6) P/N: 4-472-518-11

2

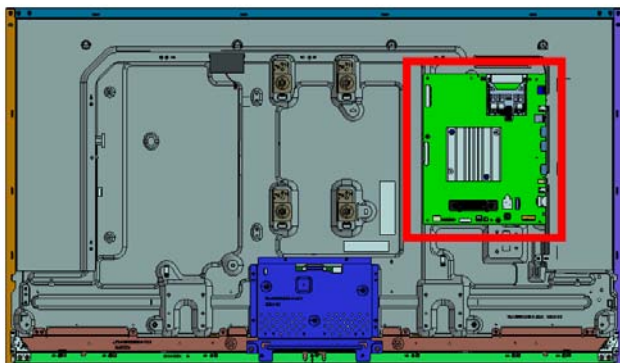


3

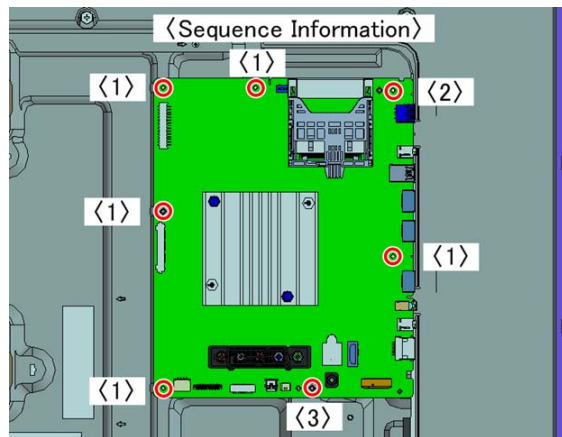


# 1. KD-43XD8005/8077/8088/8099, FW-43XD8001

## 1-23. BFM

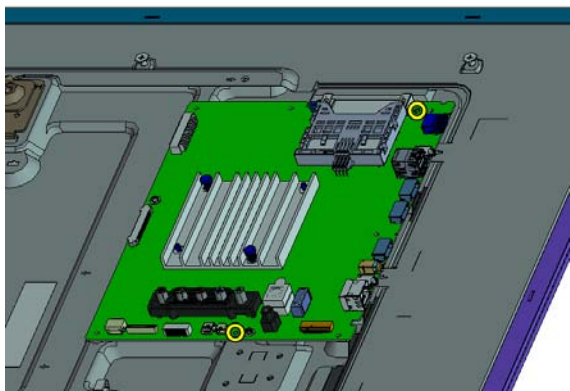


1

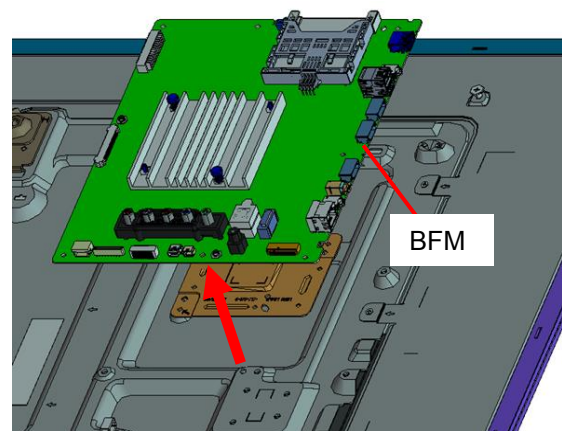


7 screws (SCREW, +PSW M3X6) P/N: 4-472-518-11

2

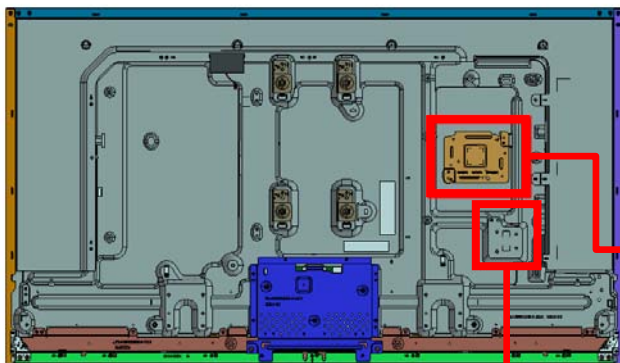


3



# 1. KD-43XD8005/8077/8088/8099, FW-43XD8001

## 1-24. SHEET, THERMAL(BM) AND SHEET, THERMAL (TU AEP)



SHEET, THERMAL(BM)  
P/N:4-549-186-01

2.0±2.0mm 2.0±2.0mm

Don't overlap on align marking

Be careful the side of SHEET THERMAL.

Separator side

Detailed diagram for the thermal sheet (BM). It shows a square white sheet being placed on a brown chassis. Two dimensions of 2.0±2.0mm are indicated with blue arrows. A yellow box at the bottom says "Don't overlap on align marking". To the right, a yellow box says "Be careful the side of SHEET THERMAL." Below this is a photograph showing the sheet being applied to the chassis, with a red arrow pointing to the "Separator side".

SHEET, THERMAL (TU AEP)  
P/N:4-584-121-01

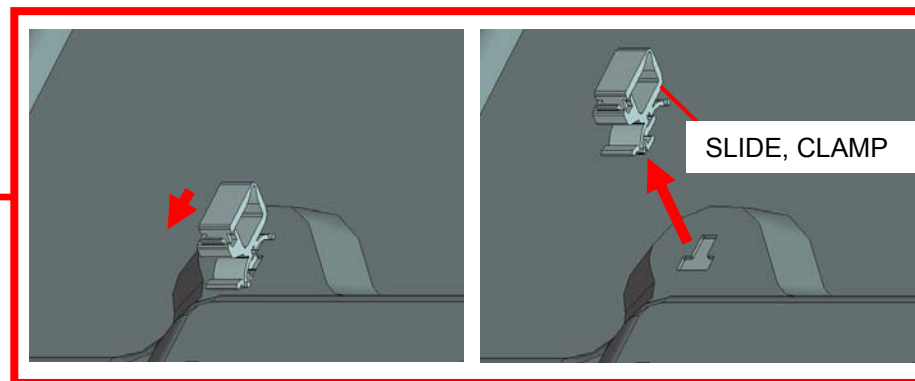
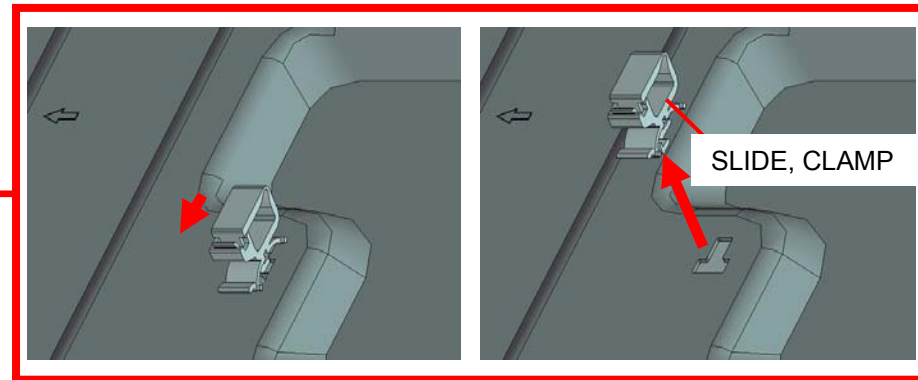
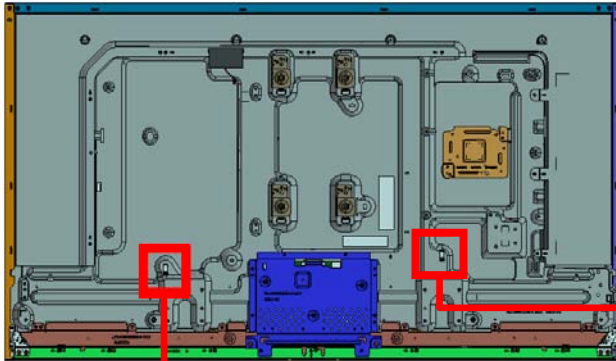
1.5±1.5mm 1.5±1.5mm

Don't overlap on align marking

Detailed diagram for the thermal sheet (TU AEP). It shows a rectangular white sheet being placed on a grey chassis. Two dimensions of 1.5±1.5mm are indicated with blue arrows. A yellow box at the bottom says "Don't overlap on align marking".

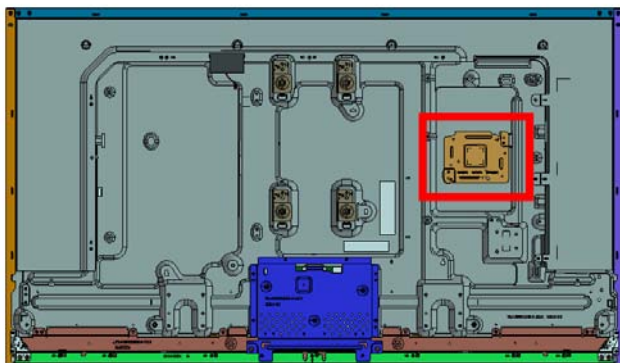
1. KD-43XD8005/8077/8088/8099, FW-43XD8001

1-25. SLIDE, CLAMP

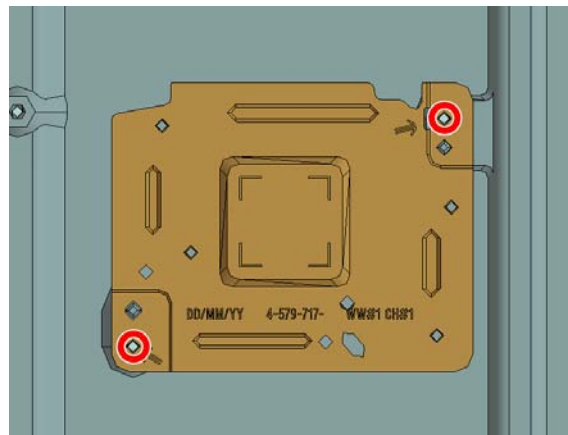


# 1. KD-43XD8005/8077/8088/8099, FW-43XD8001

## 1-26. PLATE, MAIN S (PDT)

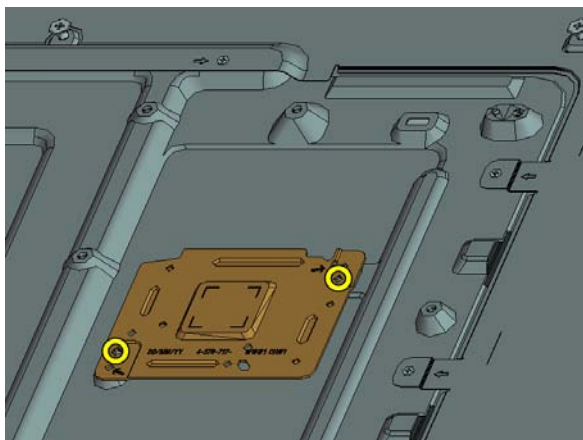


1

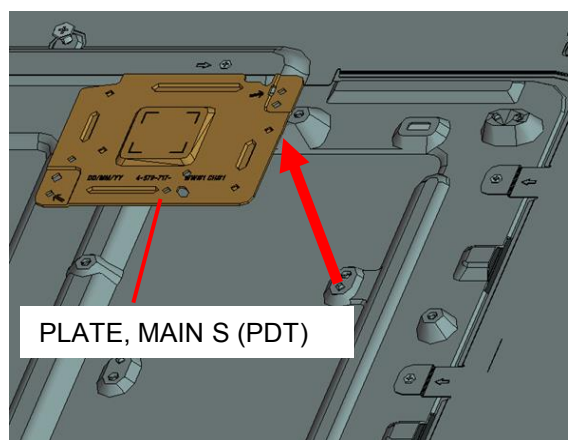


2 screws (SCREW, +PSW M3X6) P/N: 4-472-518-11

2



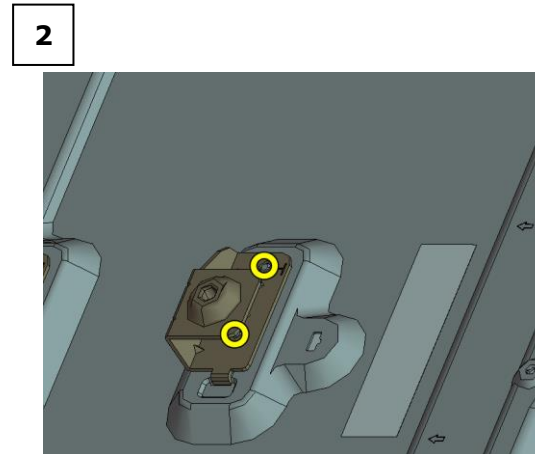
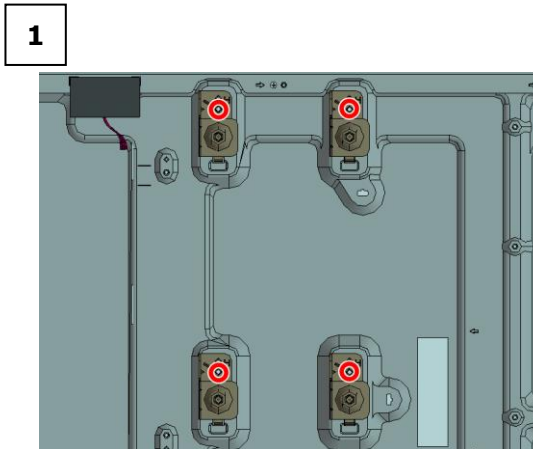
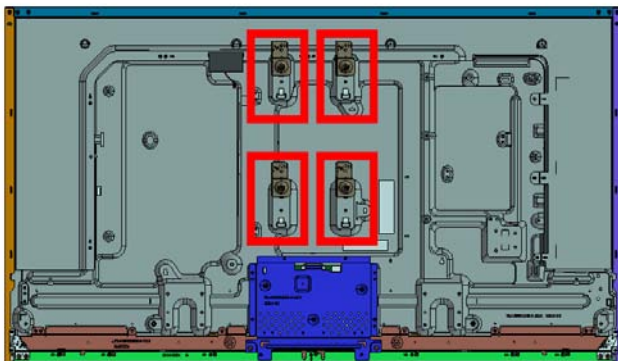
3



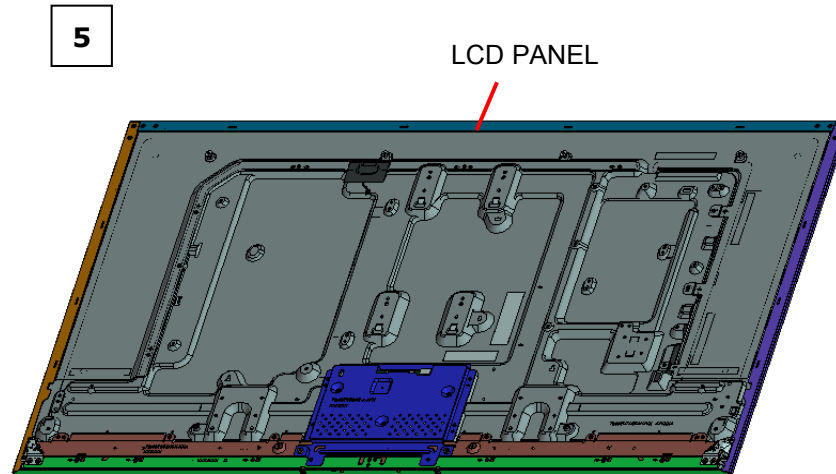
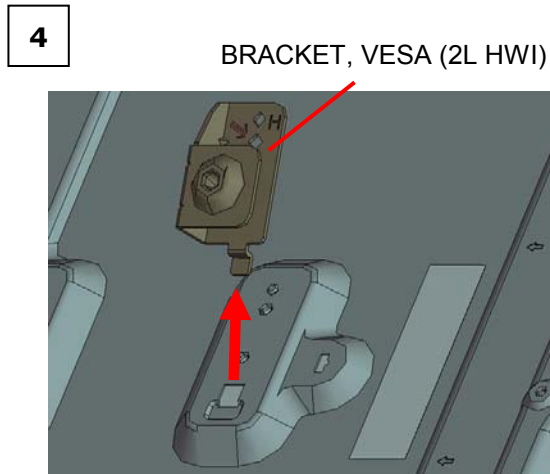
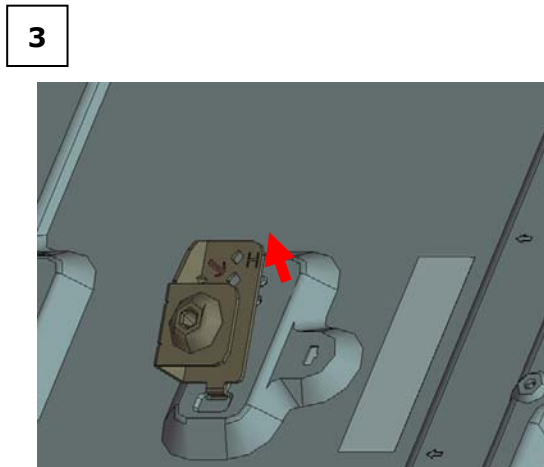


# 1. KD-43XD8005/8077/8088/8099, FW-43XD8001

## 1-27. BRACKET, VESA (2L HWI) AND LCD PANEL

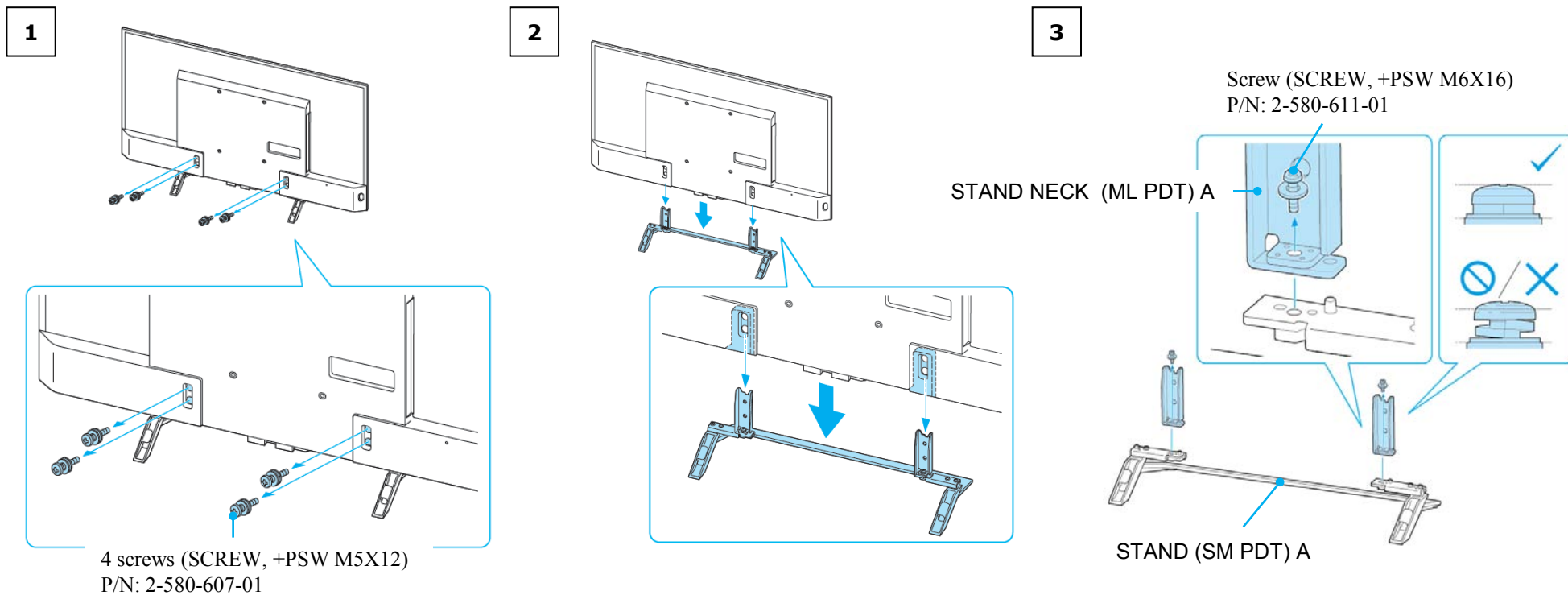


○ 4 screws (SCREW, +PSW M4X10) P/N: 4-159-298-01



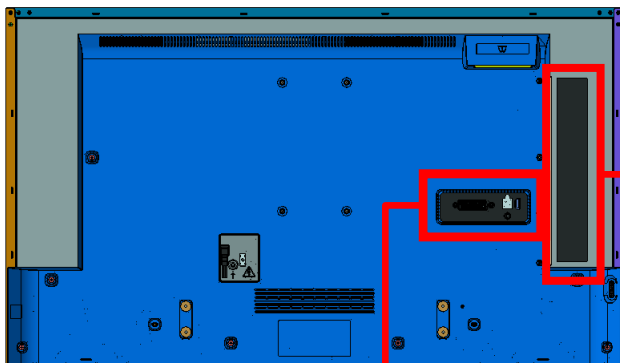
## 2. KD-43XD8305

### 2-1. STAND NECK (ML PDT) A AND STAND (SM PDT) A

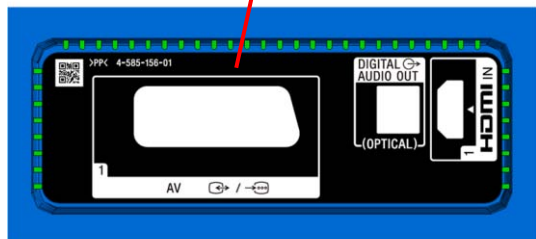


## 2. KD-43XD8305

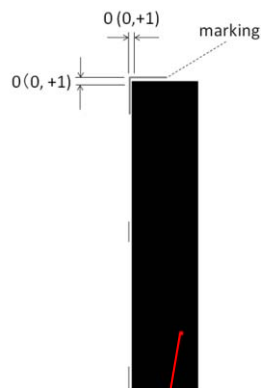
### 2-2. LABEL, REAR TERMINAL (PDT) AND LABEL, SIDE TERMINAL(PDT)



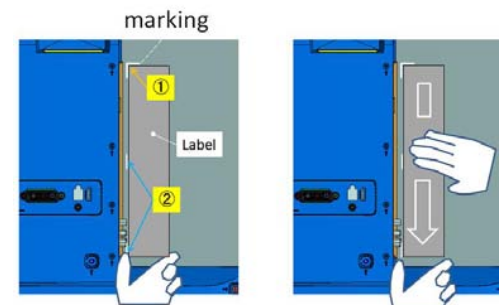
LABEL, REAR TERMINAL (PDT)



When you do panel replacement, please also replace this part at the same time to a new one.



LABEL, SIDE TERMINAL(PDT)



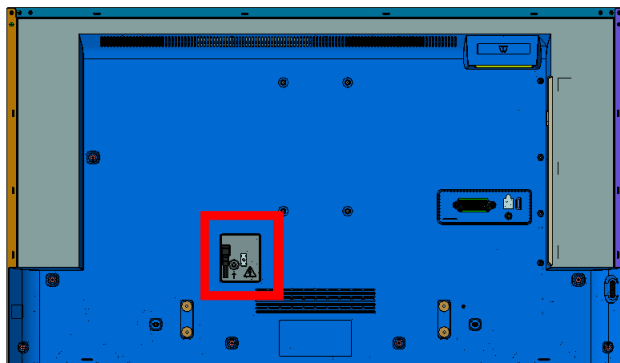
Align the label to the marking,  
① corner edge  
② left side line

To prevent bubbles from entering,  
Please stroked the label from  
the top side to bottom side.

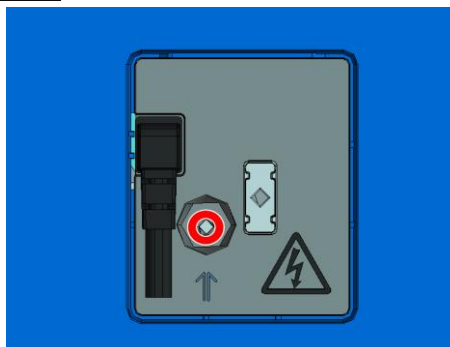
Caution: Don't damage to LABEL. Scratch, deform, dirty etc....

## 2. KD-43XD8305

### 2-3. AC COVER AND POWER-SUPPLY CORD (WITH CONN.)

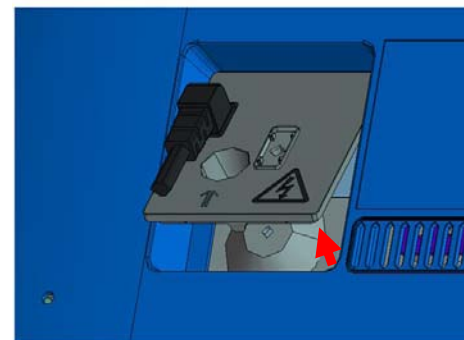


1

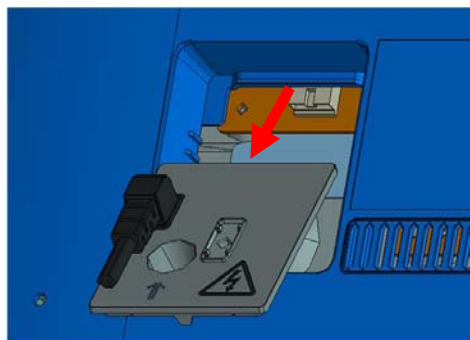


○ Screw (SCREW, +PSW M4X10) P/N: 4-159-298-01

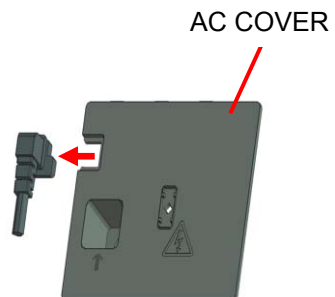
2



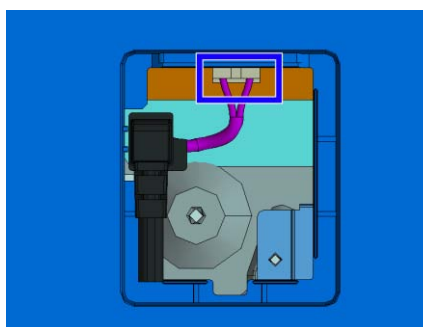
3



4

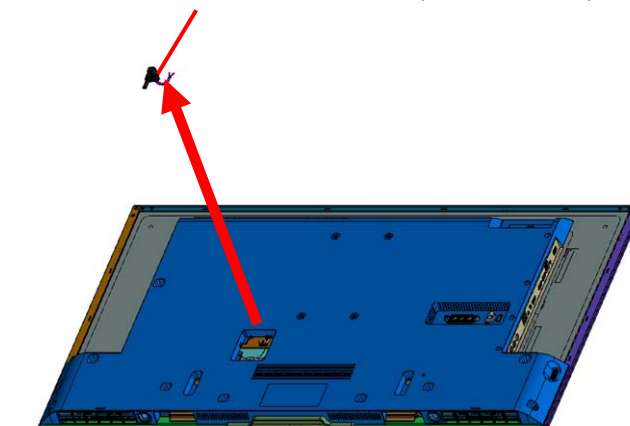


5



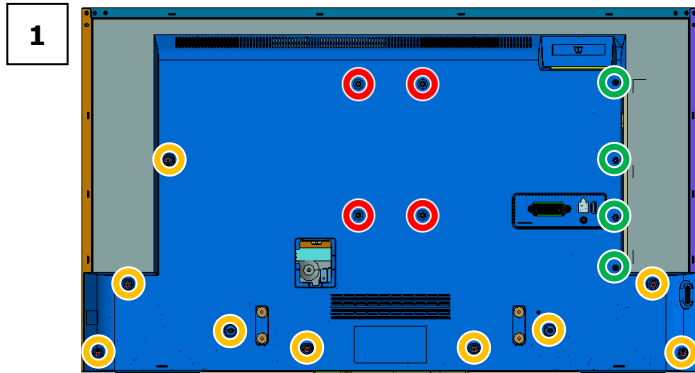
6

POWER-SUPPLY CORD (WITH CONN.)

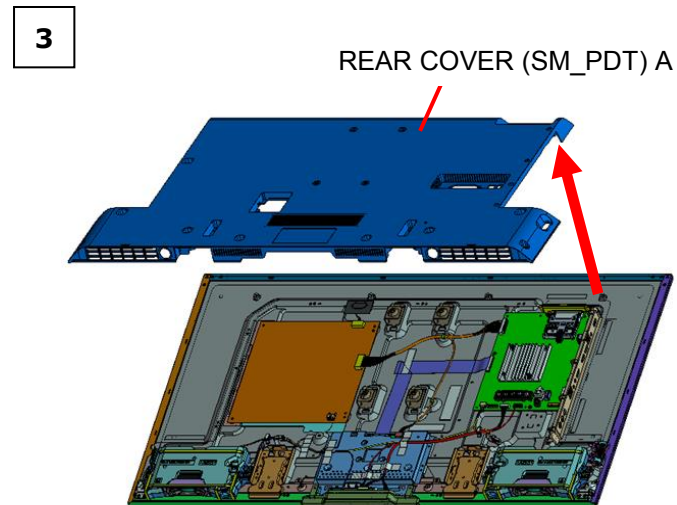
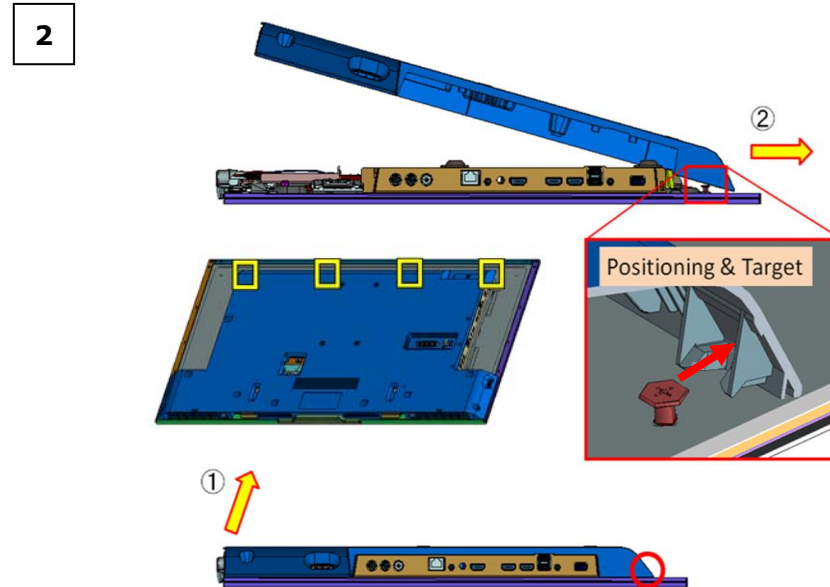


## 2. KD-43XD8305

### 2-4. REAR COVER (SM\_PDT) A



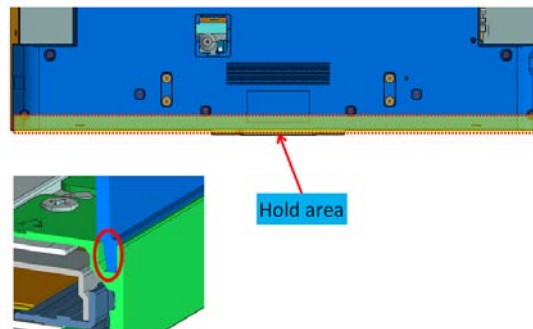
- 4 screws (SCREW, ORNAMENTAL M6X12) P/N: 4-268-126-02
- 4 screws (SCREW +BVTP 3X10 TYPE2 IT-3) P/N: 7-685-647-79
- 9 screws (SCREW M3X3.0 STEP) P/N: 4-579-926-01



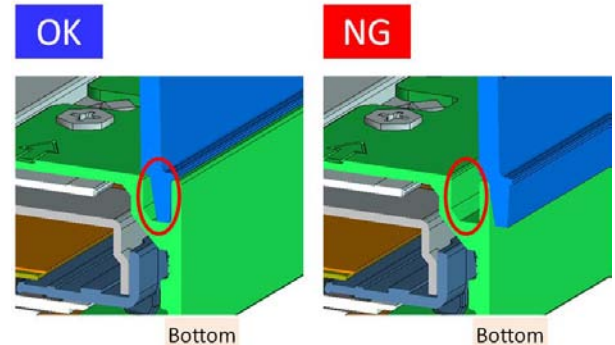
Don't hit R/C to BT ANTENNA.

**NOTE:**

Hold R/C to not floating while screwing.

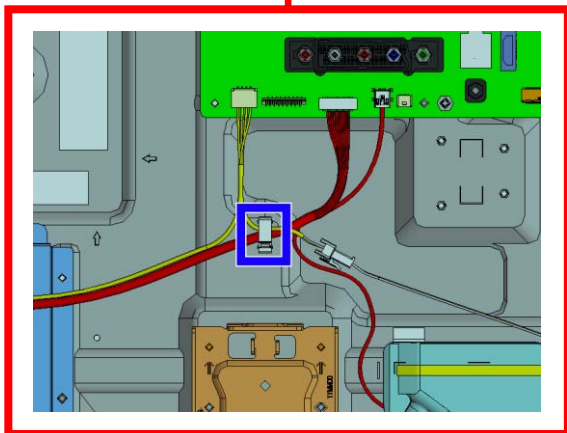
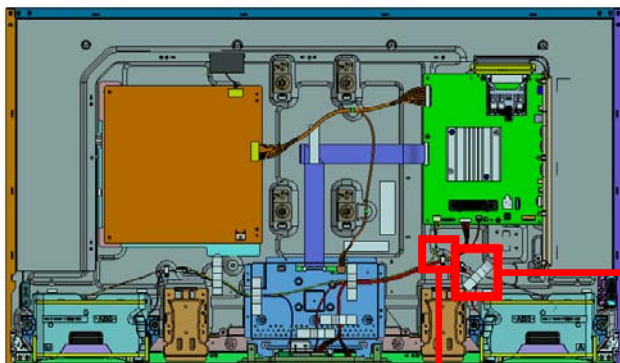


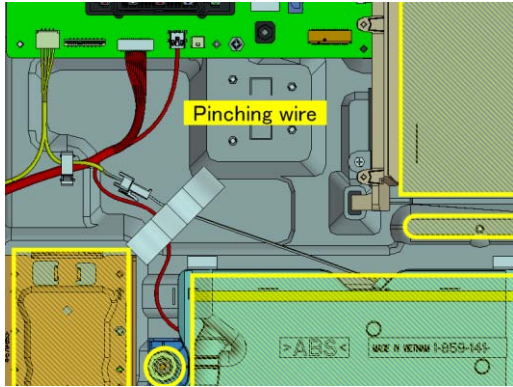
Ensure R/C is installed to slit of panel.



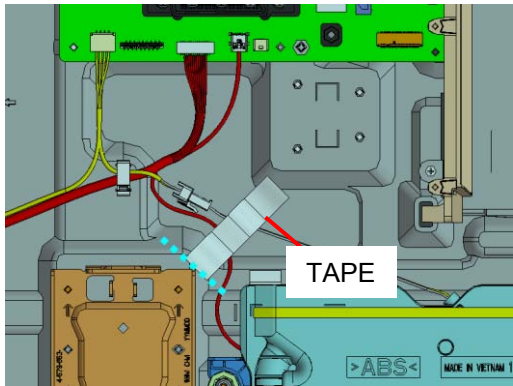
## 2. KD-43XD8305

### 2-5. TAPE AND WIRE DRESSING



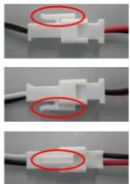
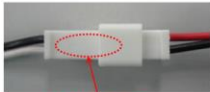


Pinching wire



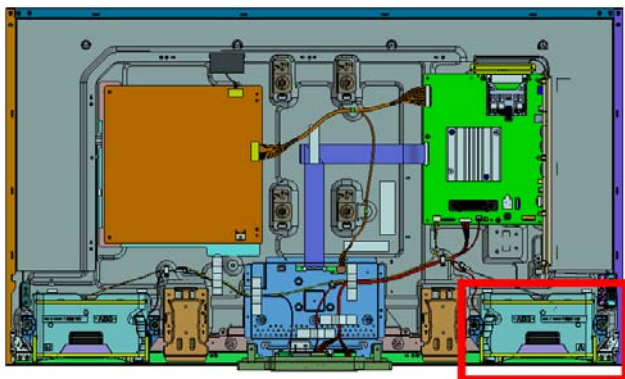
TAPE

**SP relay connector direction**

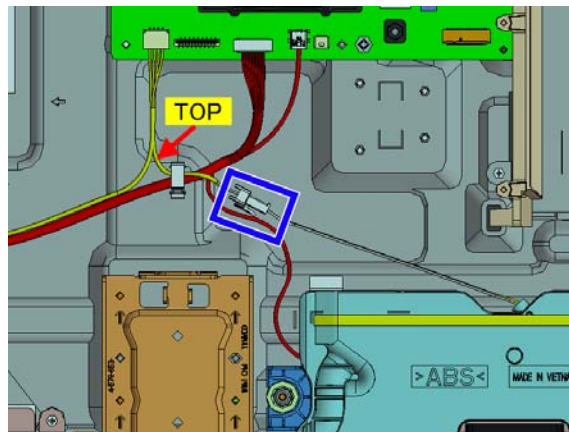
<p><b>OK</b></p>  <p>Lock structure face except NG direction.</p>	<p><b>NG</b></p>  <p>Lock structure</p> <p>Lock structure face <i>Back Chassis</i> side.</p>
--	---

## 2. KD-43XD8305

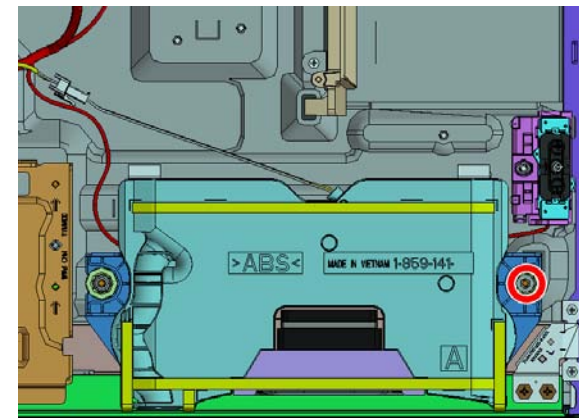
### 2-6. SP-BOX ASSY, W25(S)-KA



1

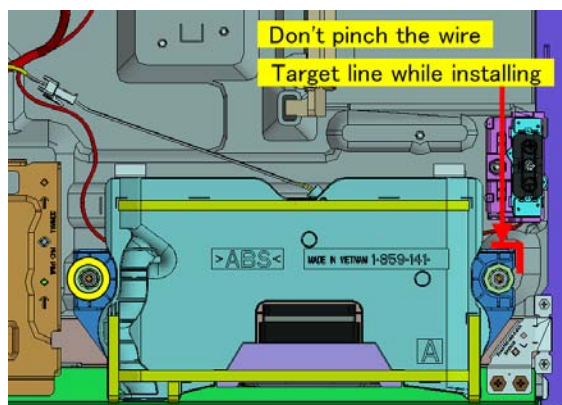


2

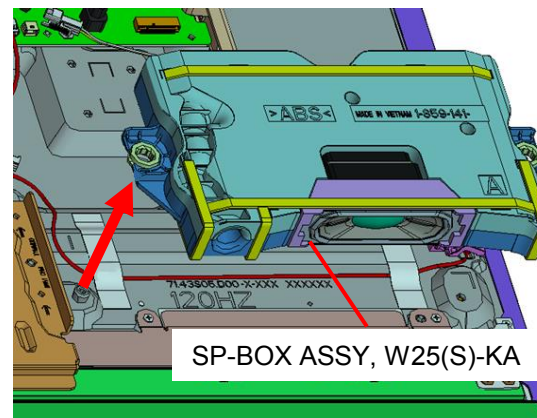


○ Screw (PULLEY, SP(PDT)) P/N: 4-579-924-01

3

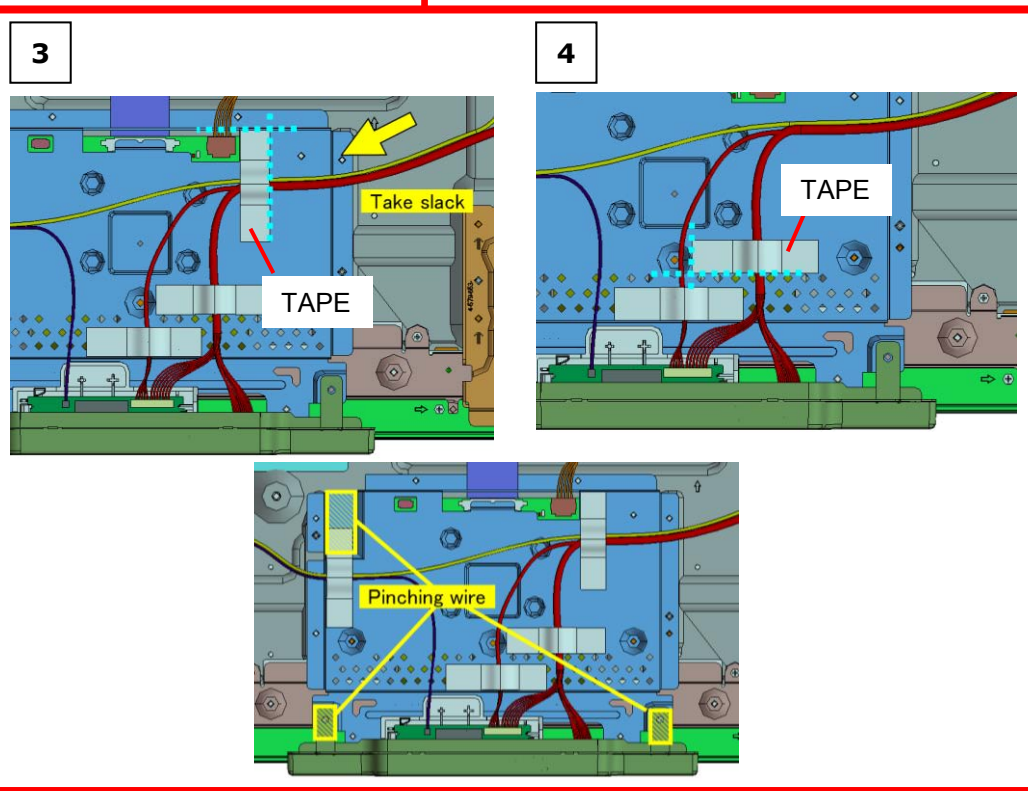
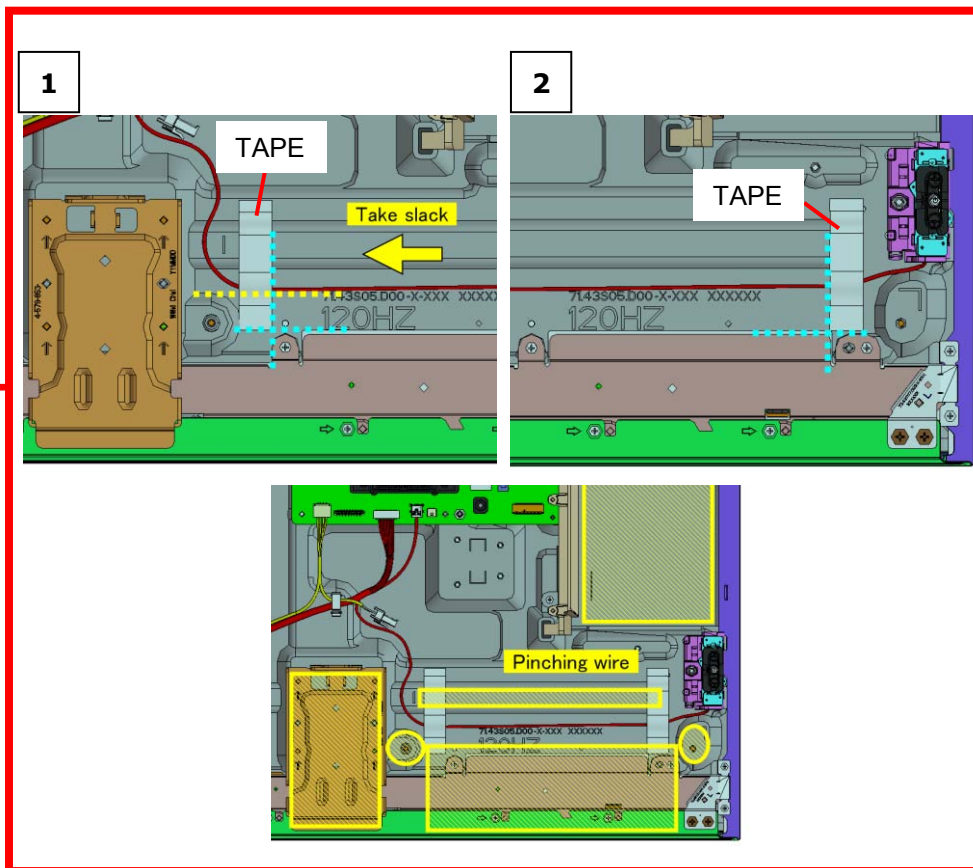
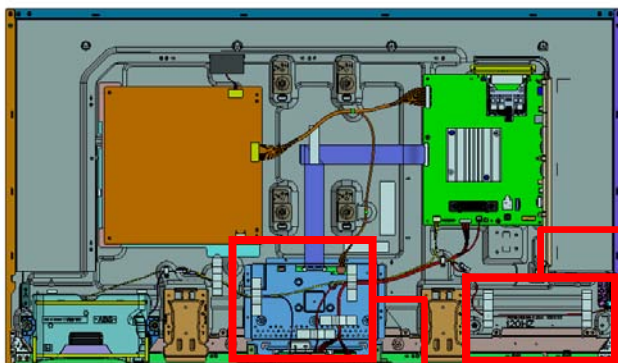


4



## 2. KD-43XD8305

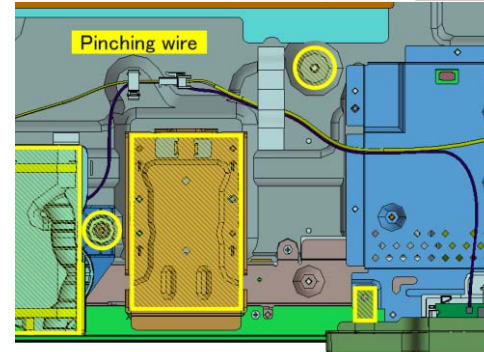
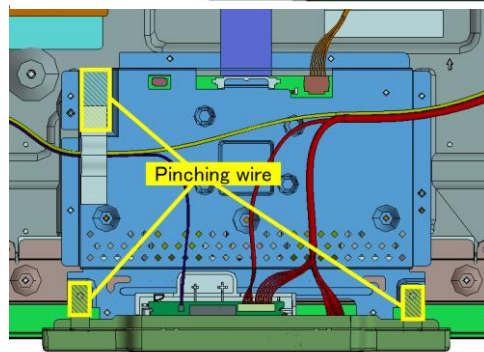
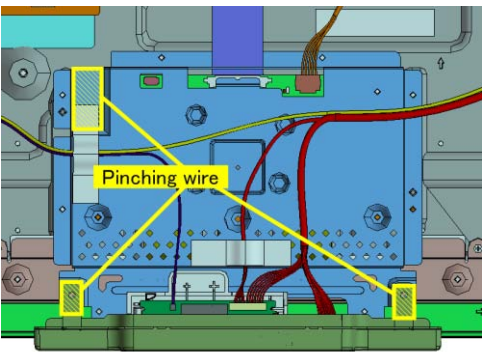
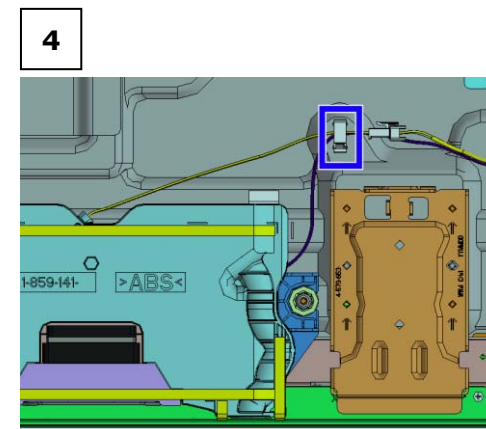
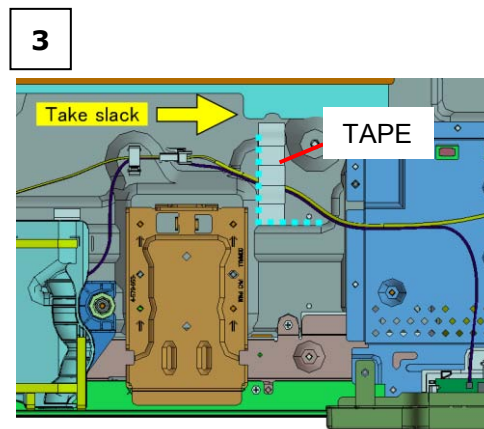
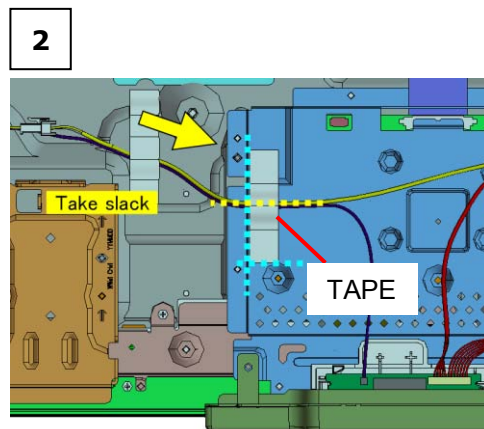
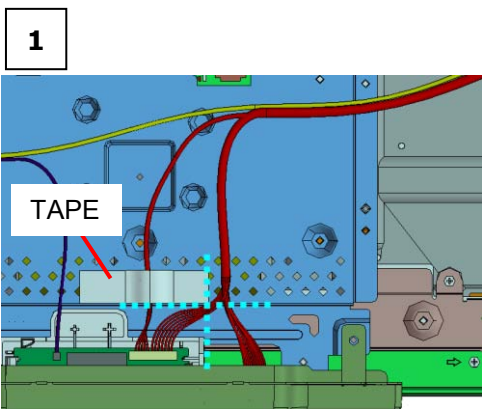
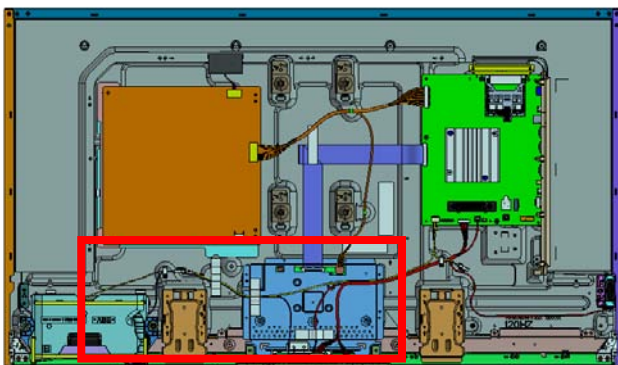
### 2-7. TAPE





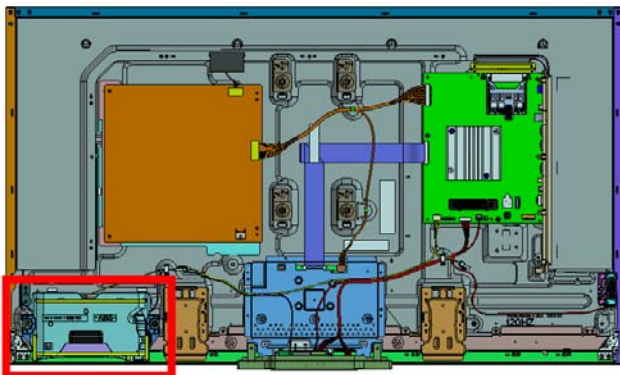
## 2. KD-43XD8305

### 2-8. TAPE AND WIRE DRESSING

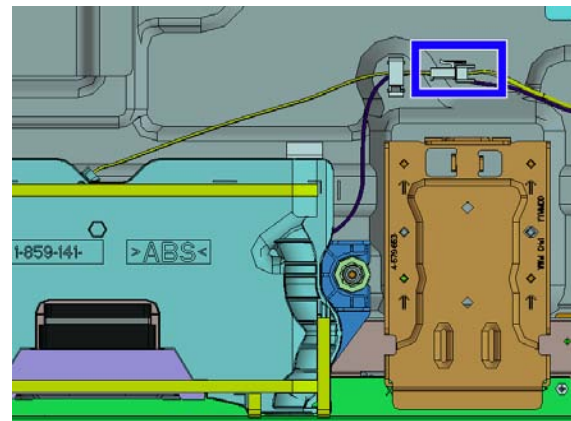


## 2. KD-43XD8305

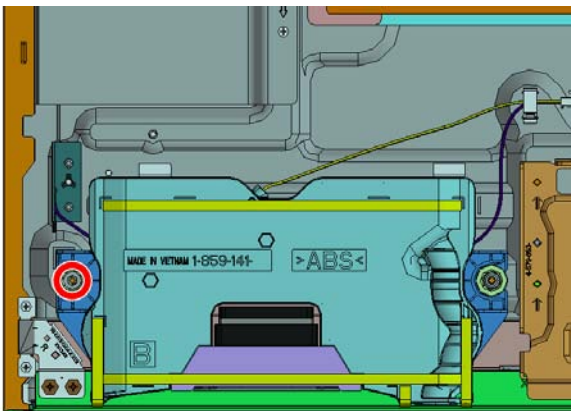
### 2-9. SP-BOX ASSY, W25(S)-KB



1

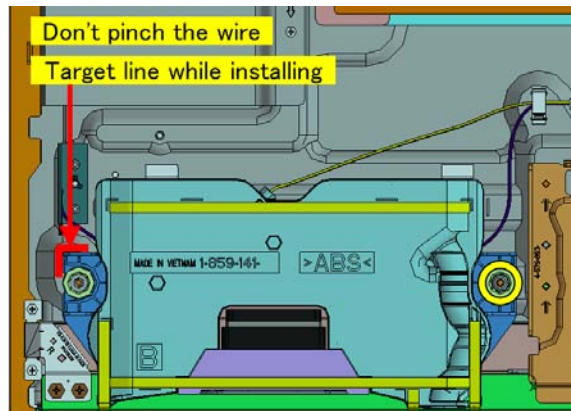


2

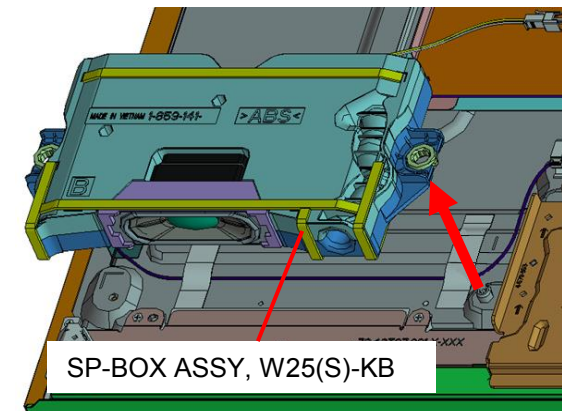


○ Screw (PULLEY, SP(PDT)) P/N: 4-579-924-01

3



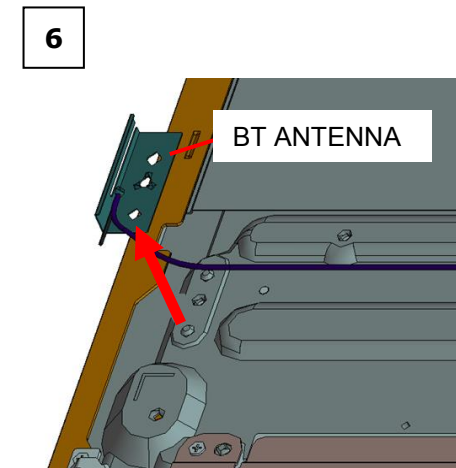
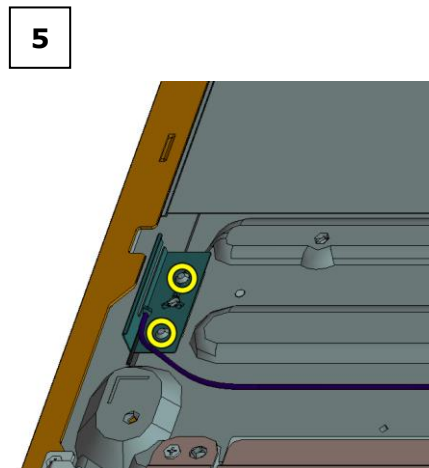
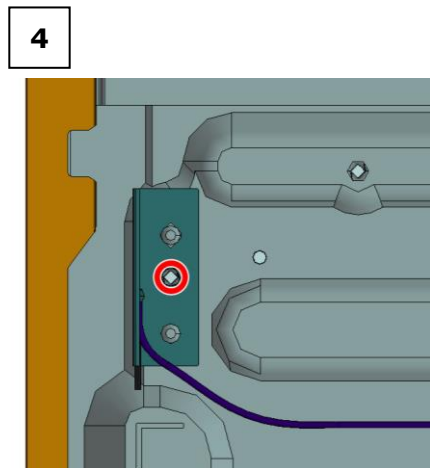
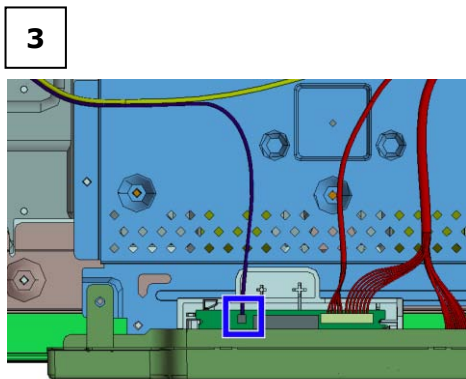
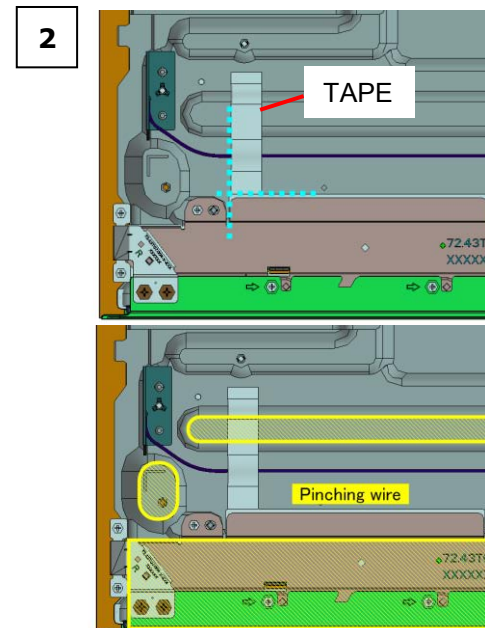
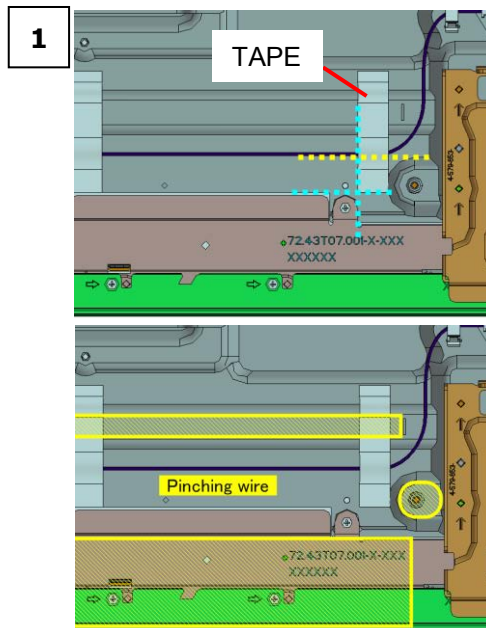
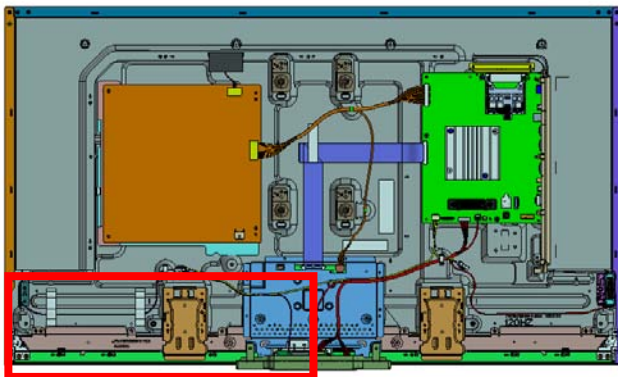
4



SP-BOX ASSY, W25(S)-KB

## 2. KD-43XD8305

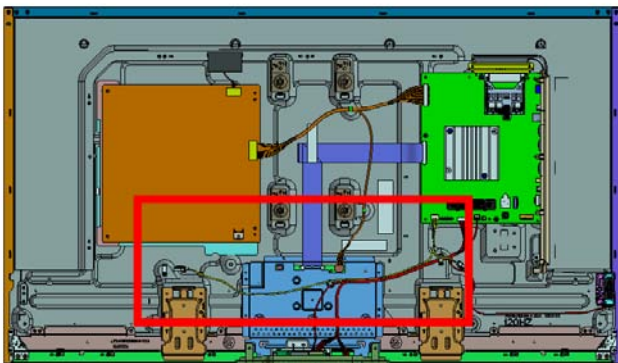
### 2-10. TAPE AND BT ANTENNA



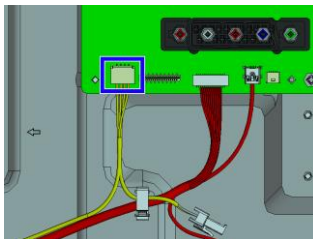
 Screw (SCREW, +PSW M3X6) P/N: 4-472-518-11

## 2. KD-43XD8305

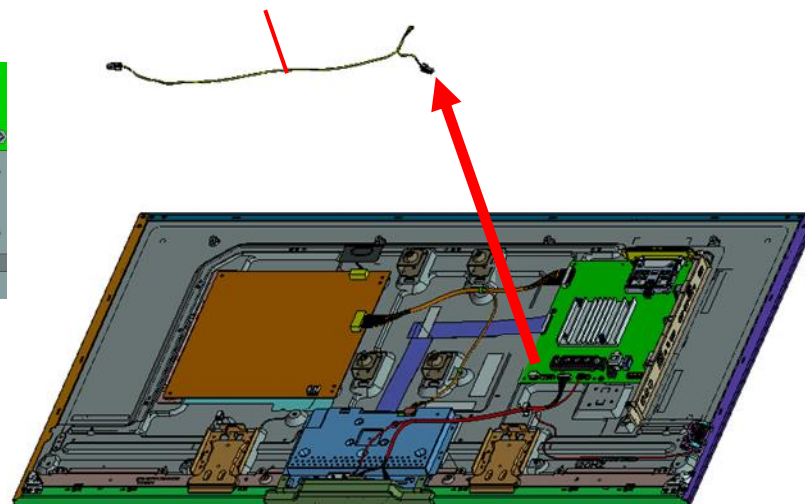
### 2-11. CONNECTOR ASSY 4P AND WIRE DRESSING



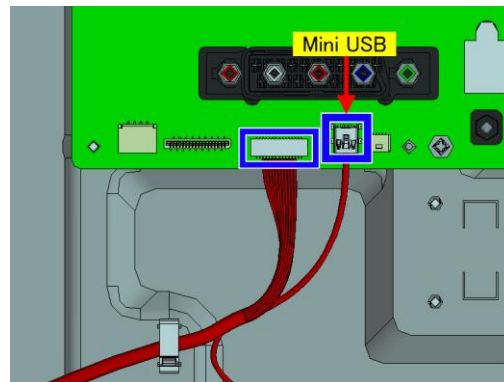
1



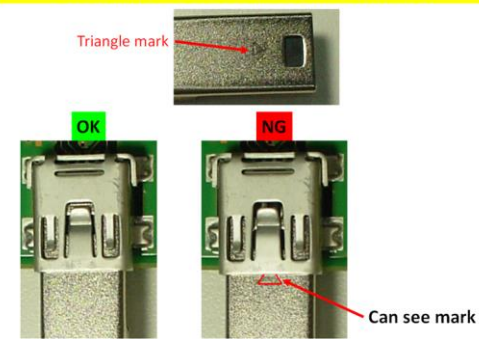
CONNECTOR ASSY 4P  
P/N: 1-910-110-99



2

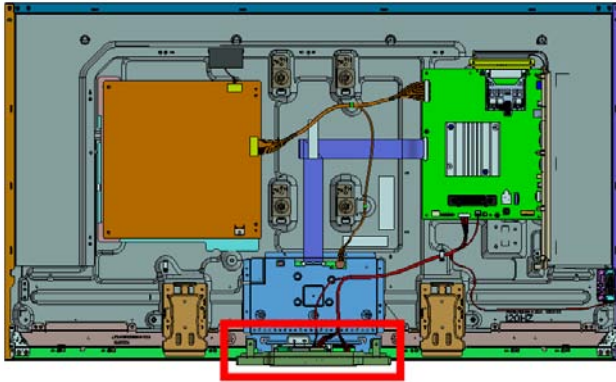


Check Mini USB connector condition.



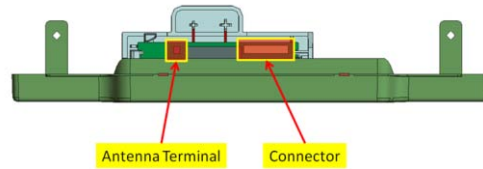
## 2. KD-43XD8305

### 2-12. SMART CORE (S)

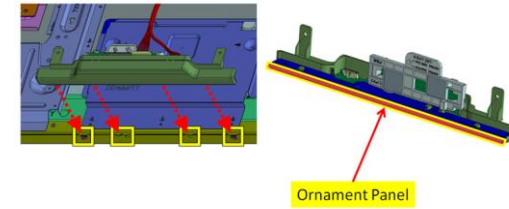


**NOTE:**

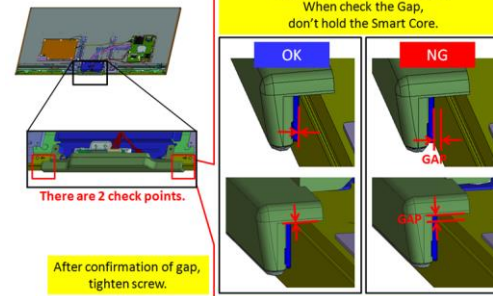
Don't touch these components while installing.



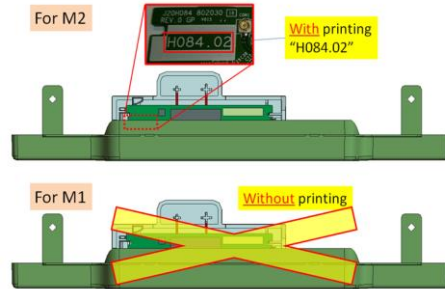
Don't scratch O/P with Bezel while installing.



Confirm Smart Core is assembled properly *before tightening screw* of Smart Core.

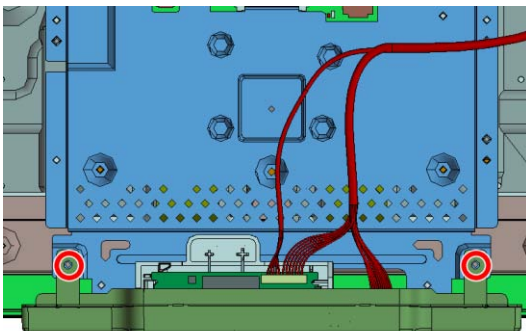


How to distinguish SC for M1 and M2



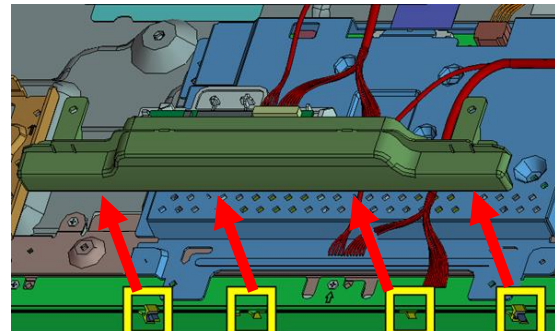
For This Model

1

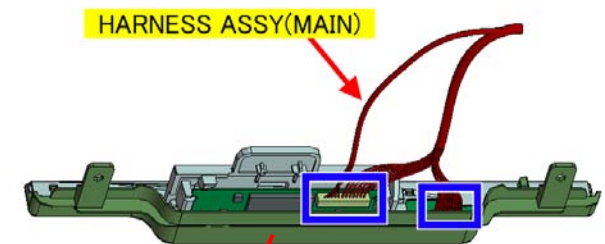


2 screws (SCREW, +PSW M3X6) P/N: 4-472-518-11

2



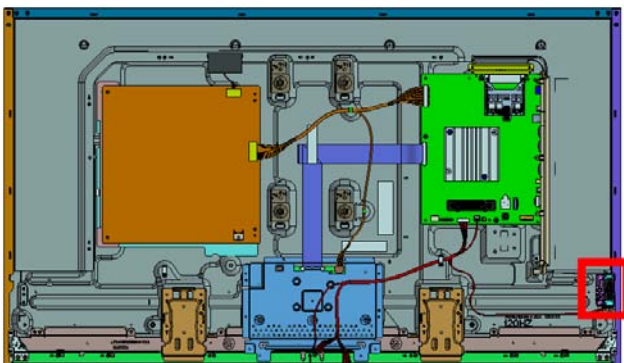
3



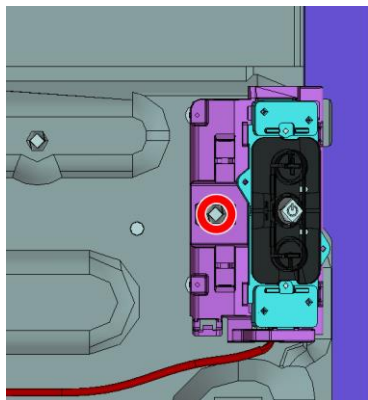
SMART CORE (S)

## 2. KD-43XD8305

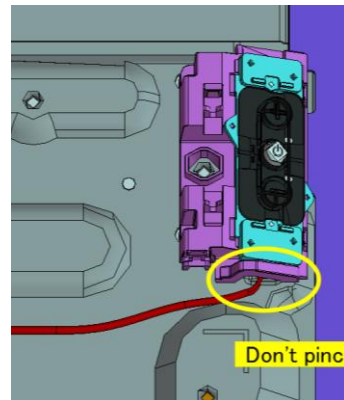
### 2-13. HOLDER SIDE SW(PDT) AND SWITCH UNIT (3M-P)



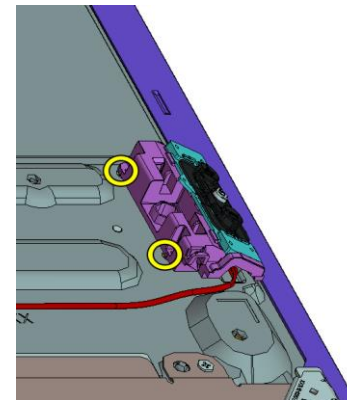
1



2

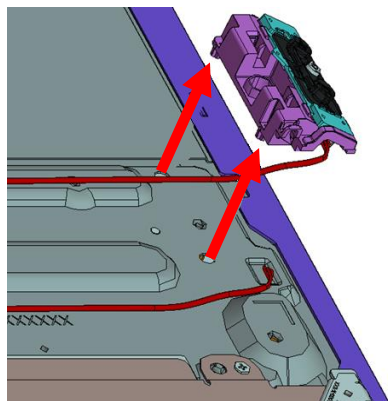


3

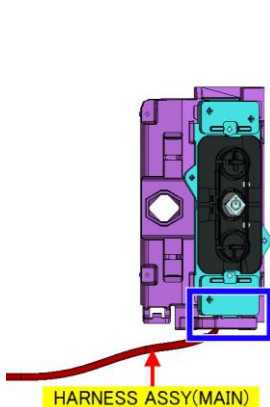


○ Screw (SCREW M3X3.0 STEP) P/N: 4-579-926-01

4



5



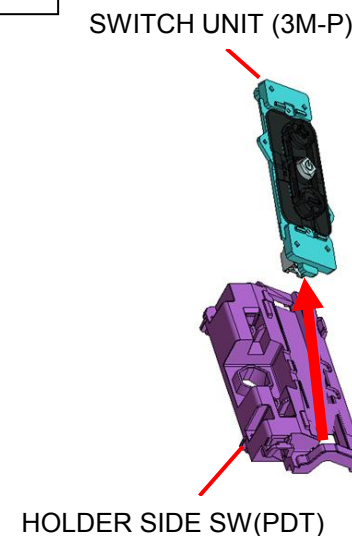
6



7

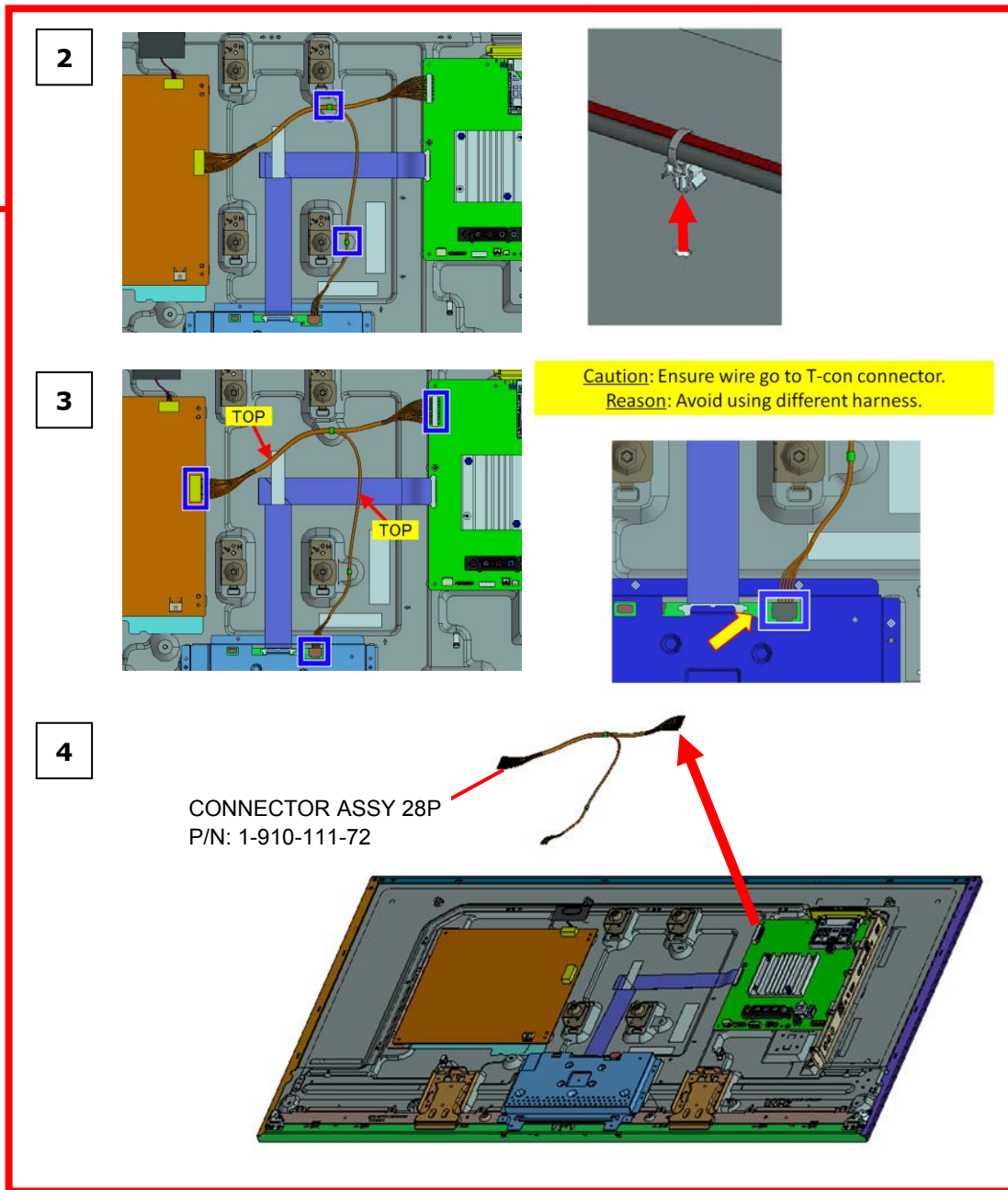
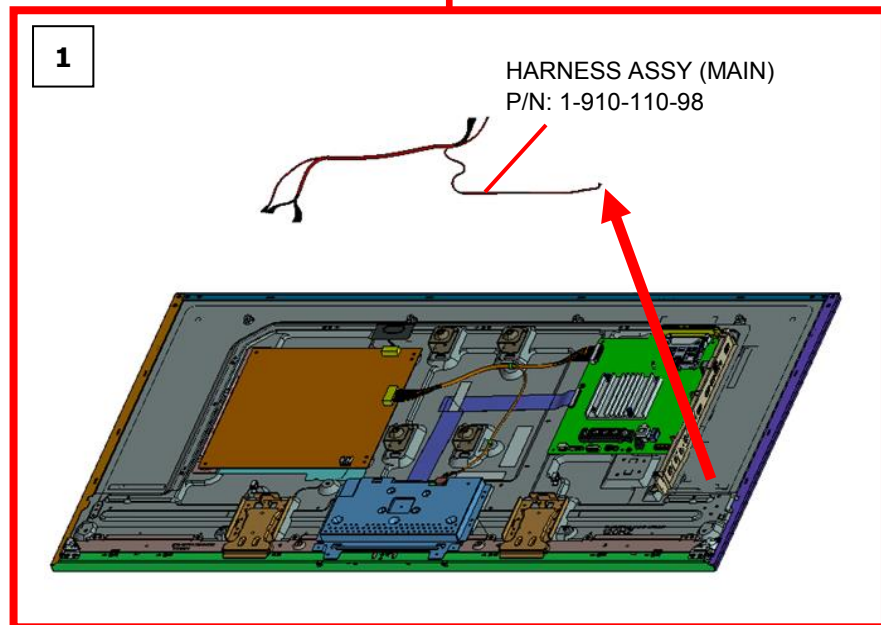
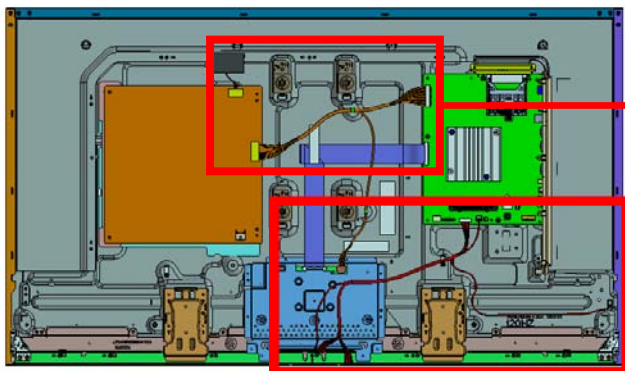


8



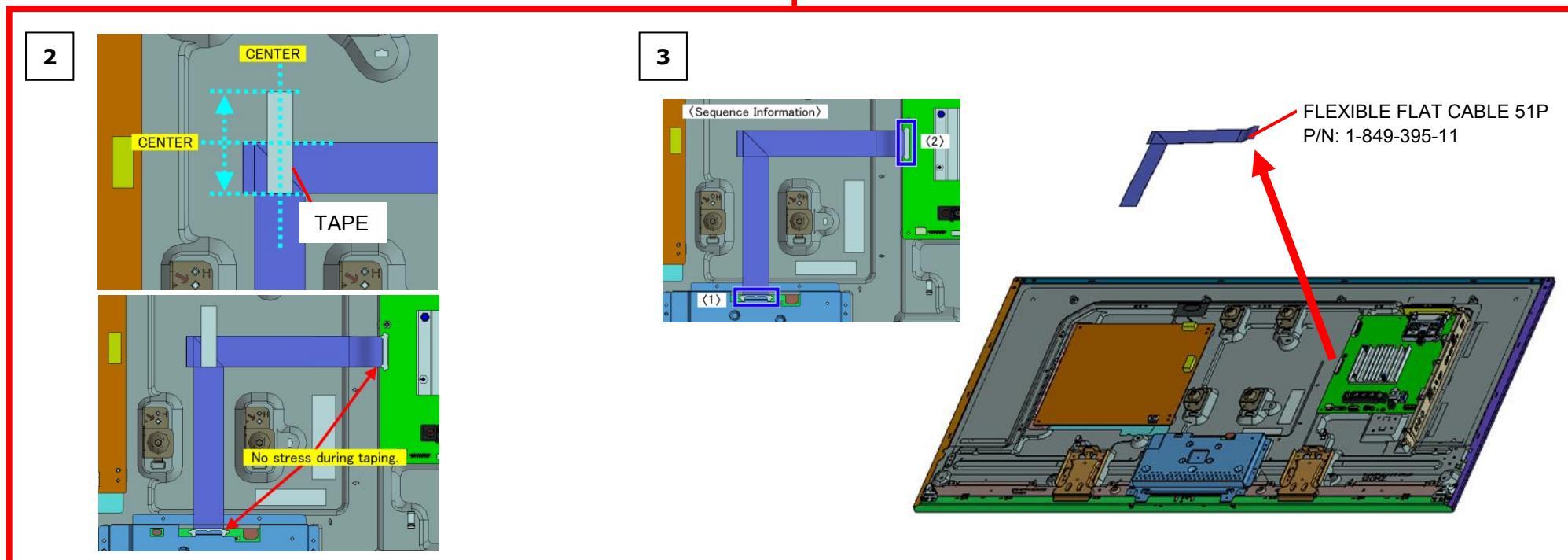
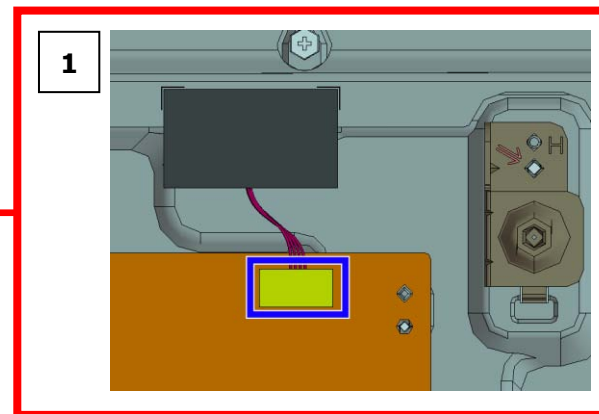
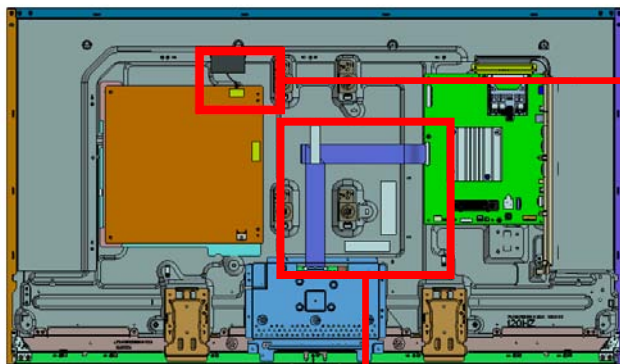
## 2. KD-43XD8305

### 2-14. HARNESS ASSY (MAIN) AND CONNECTOR ASSY 28P



## 2. KD-43XD8305

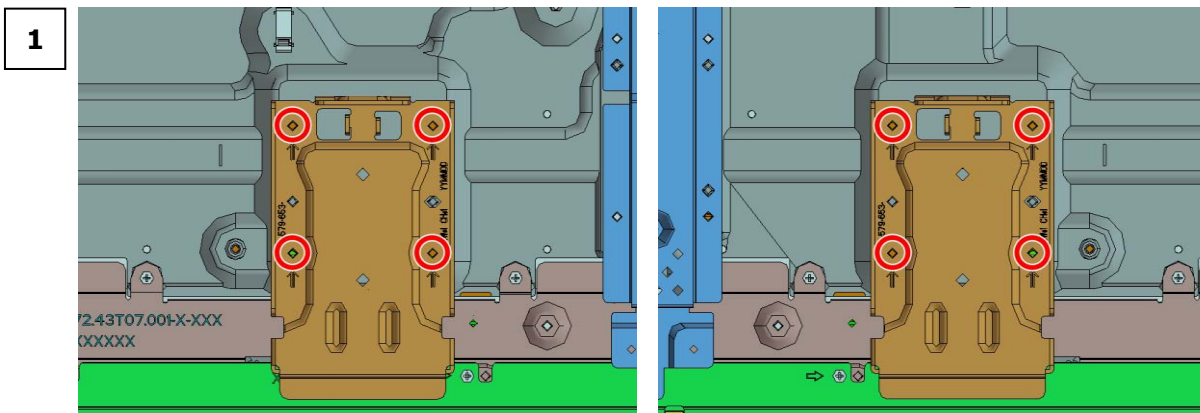
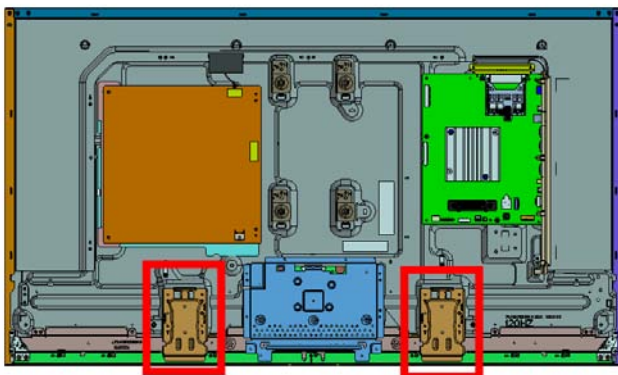
### 2-15. WIRE DRESSING AND TAPE AND FLEXIBLE FLAT CABLE 51P



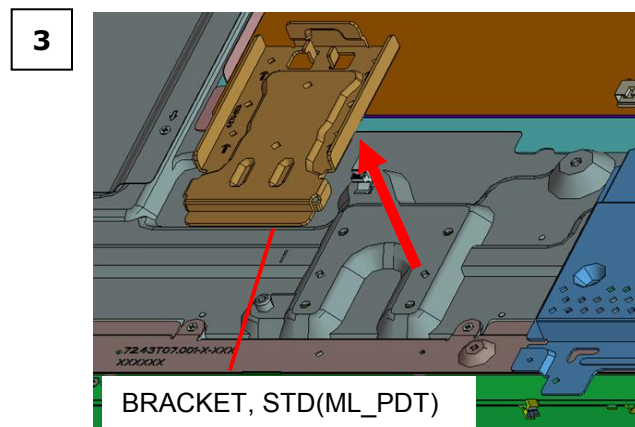
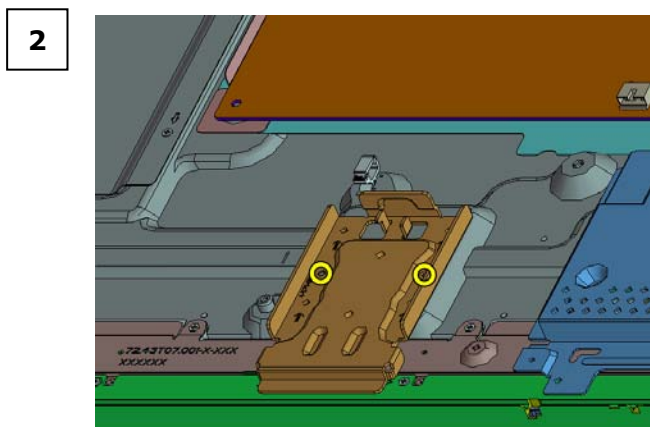


## 2. KD-43XD8305

### 2-16. BRACKET, STD(ML\_PDT)

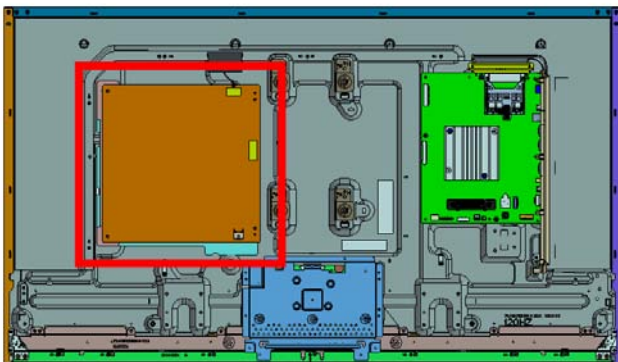


8 screws (SCREW, +PSW M3X6) P/N: 4-472-518-11

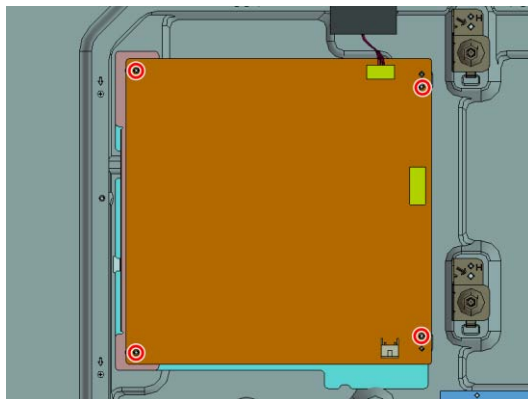


## 2. KD-43XD8305

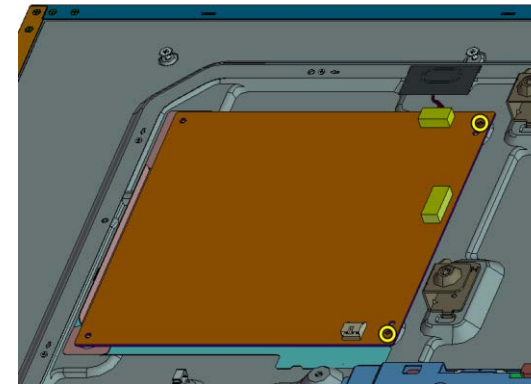
### 2-17. SPACER(22)+C AND GL4H



1

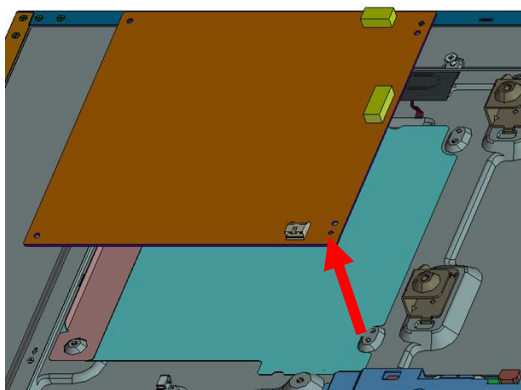


2



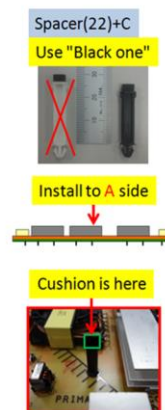
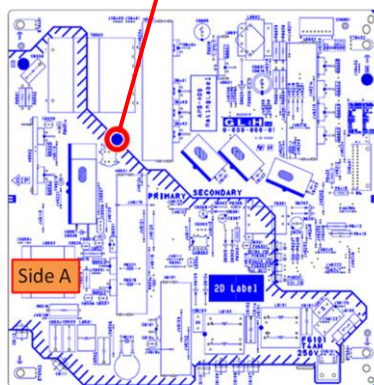
4 screws (SCREW, +PSW M3X6 W12) P/N: 4-256-393-12

3

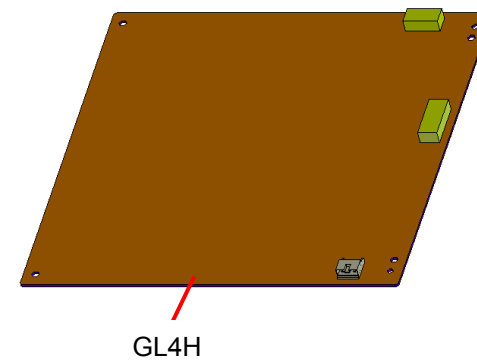


4

SPACER(22)+C  
P/N:4-449-083-11

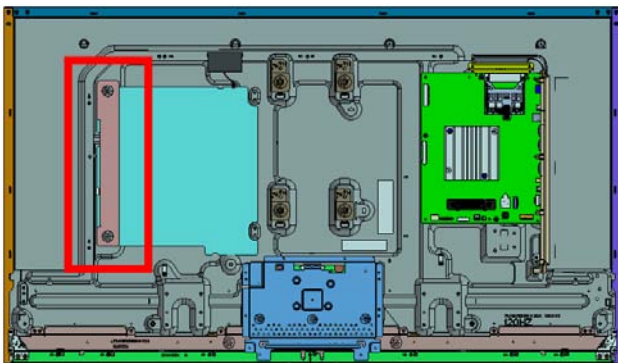


5



## 2. KD-43XD8305

### 2-18. SHEET, INSULATION(PDT SM WALL)

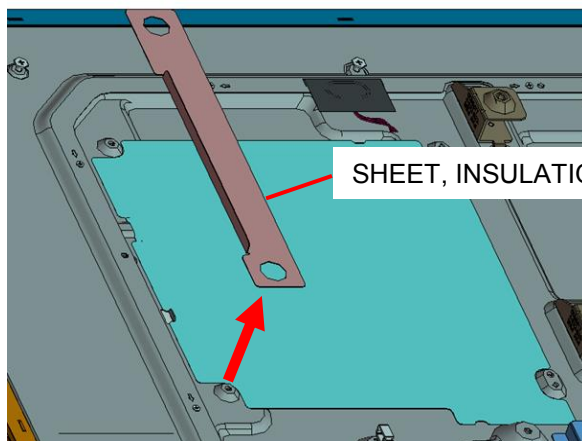


**NOTE:**

Adhesive tape area

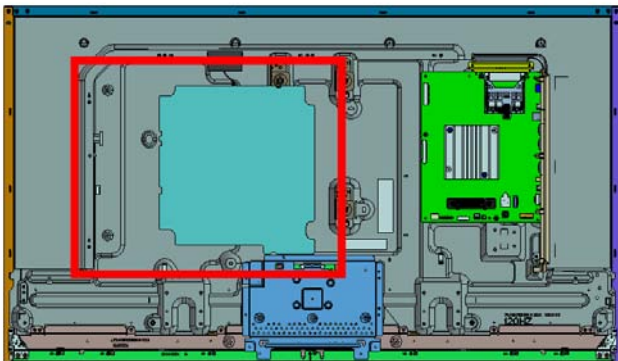
**Caution**

- When handling,
  - Be sure not to touch adhesive tape area.
- After installing,
  - Be sure to push all of adhesive tape area to avoid peel off of "Sheet, Insulation".



## 2. KD-43XD8305

### 2-19. SHEET, INSULATION (PDT SM)



**NOTE:**

① Slide in

② Slide

X: +1.5/-0

X: +1.5/-0

Install tabs in the half-cut emboss

Install cut of insulation sheet into Panel edge

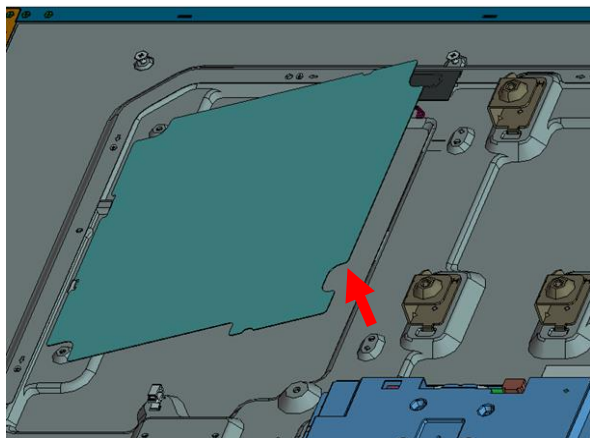
Adhesive tape area

**Caution**

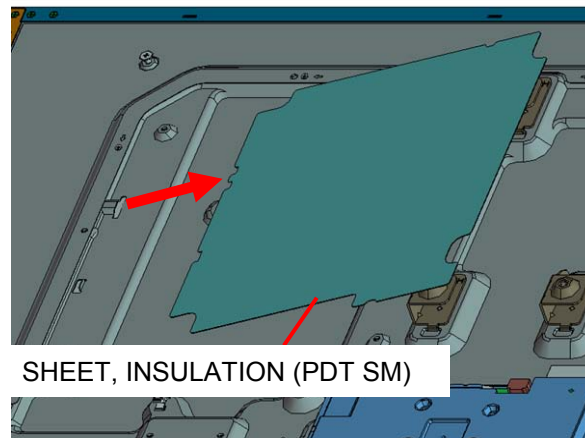
When handling,  
 • Be sure not to touch adhesive tape area.

After installing,  
 • Be sure to push all of adhesive tape area to avoid peel off of "Sheet, Insulation".

1

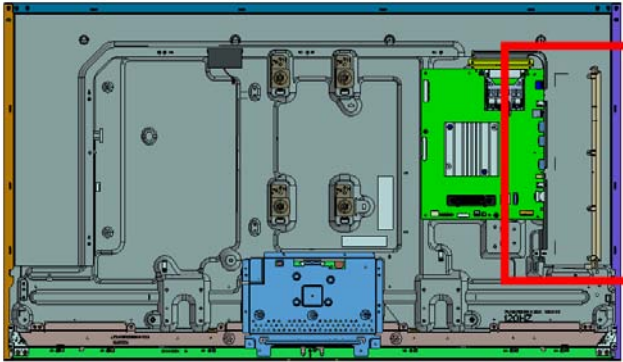


2

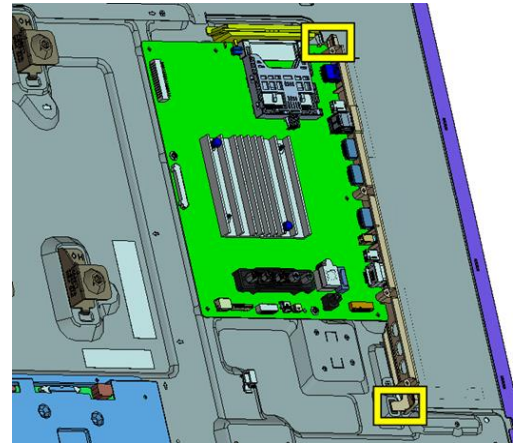


## 2. KD-43XD8305

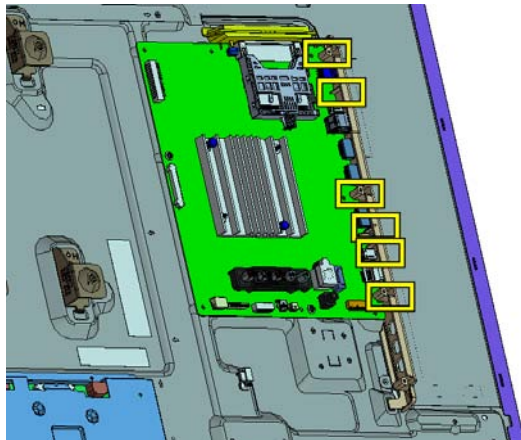
### 2-20. BRACKET, SIDE (PDT)



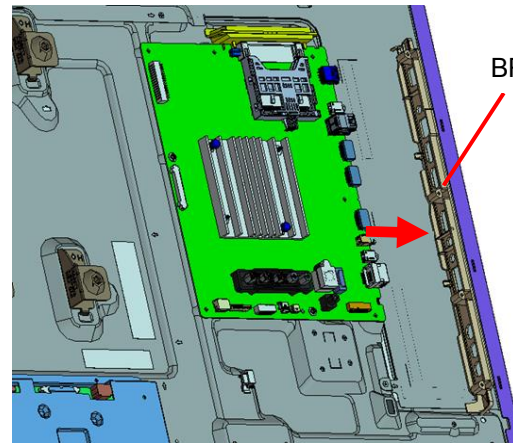
1



2



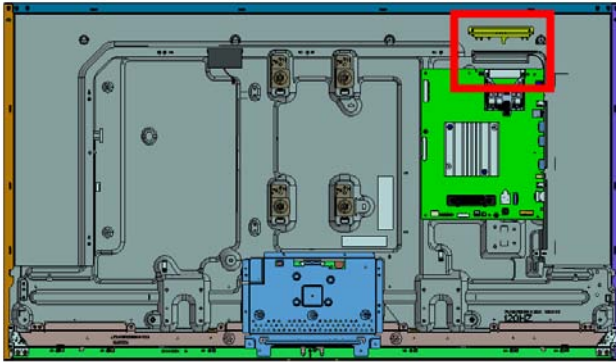
3



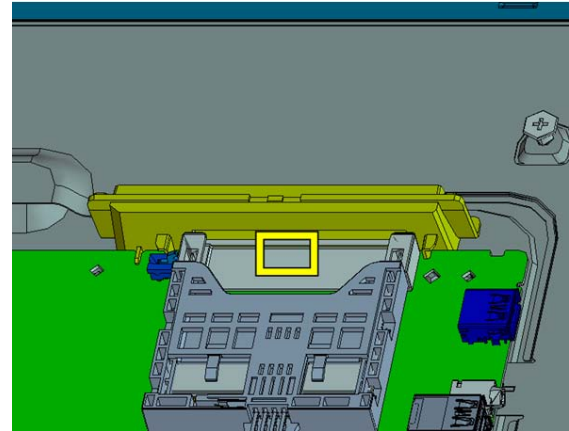
BRACKET, SIDE (PDT)

## 2. KD-43XD8305

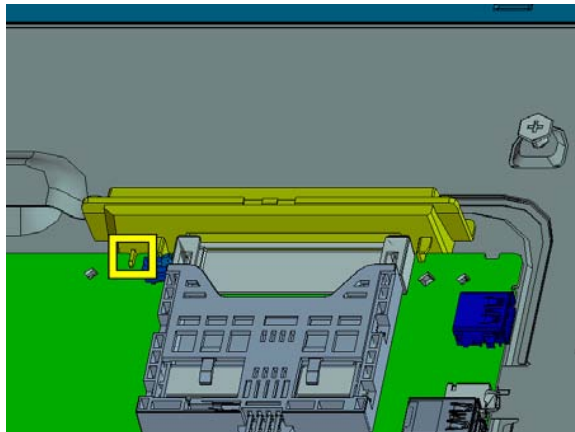
### 2-21. BRACKET, TOP FL (MOLD)



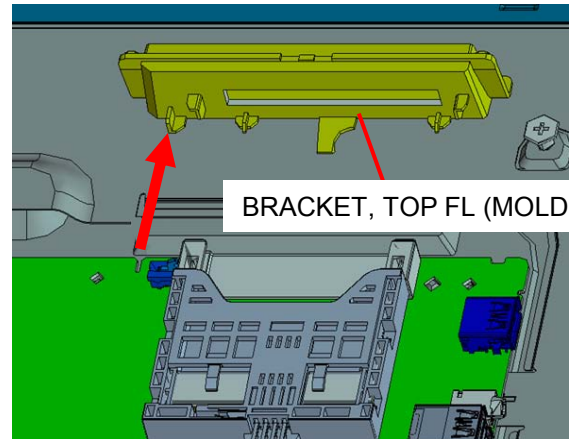
1



2



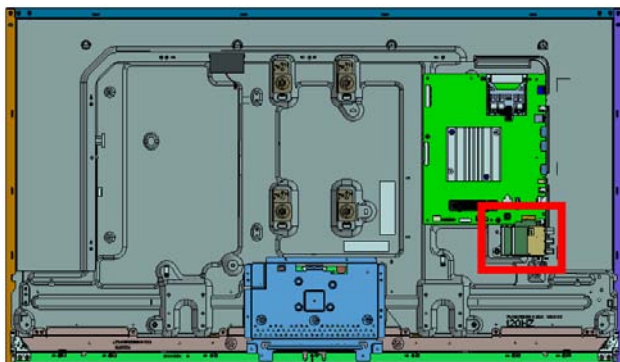
3



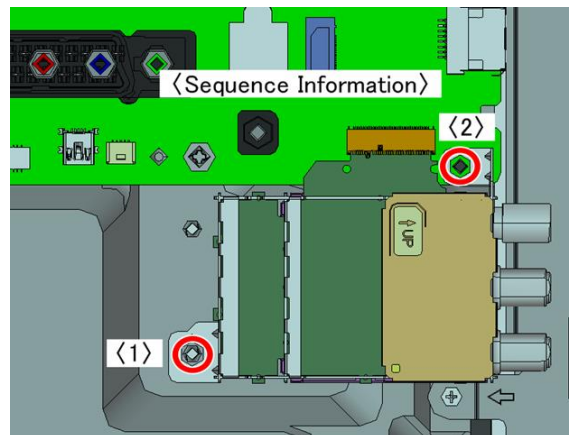
## 2. KD-43XD8305

### 2-22. UNIVERSAL SIL-TU

\* Please refer to "APPENDIX-3" for details.

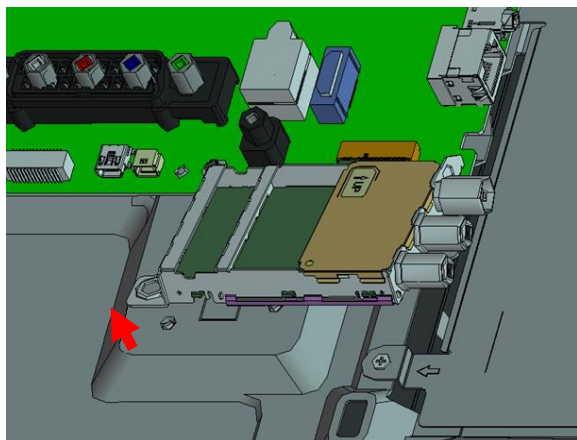


1

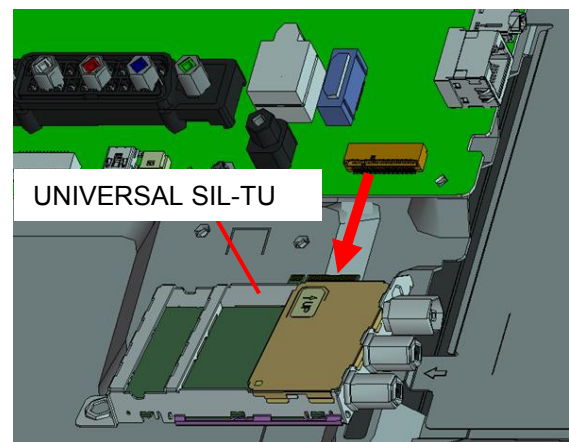


2 screws (SCREW, +PSW M3X6) P/N: 4-472-518-11

2

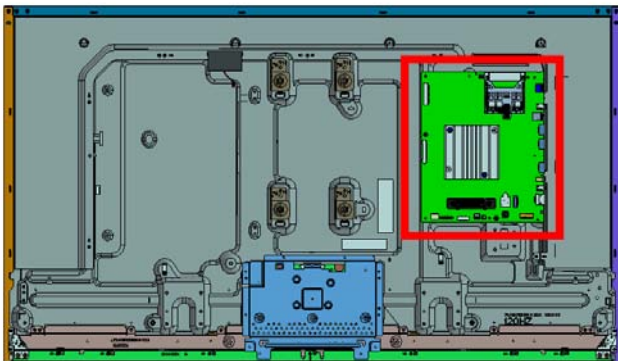


3

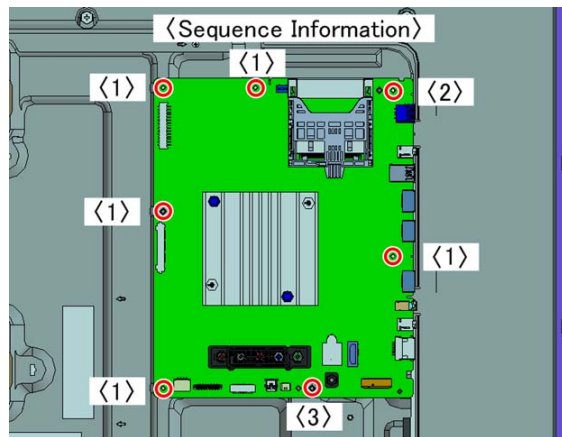


## 2. KD-43XD8305

### 2-23. BFM

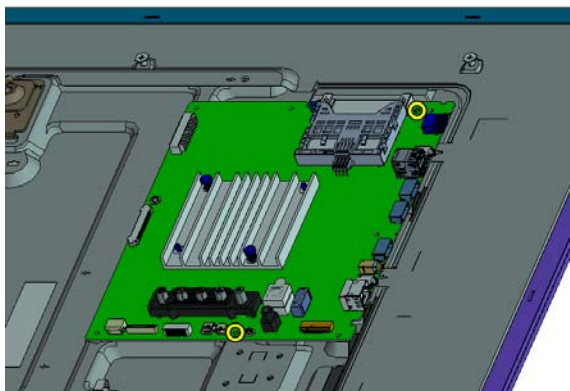


1

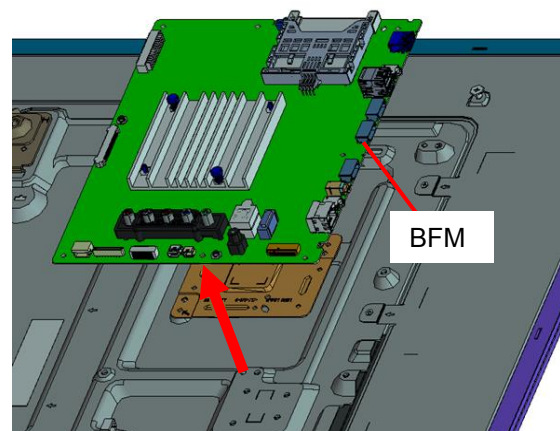


7 screws (SCREW, +PSW M3X6) P/N: 4-472-518-11

2



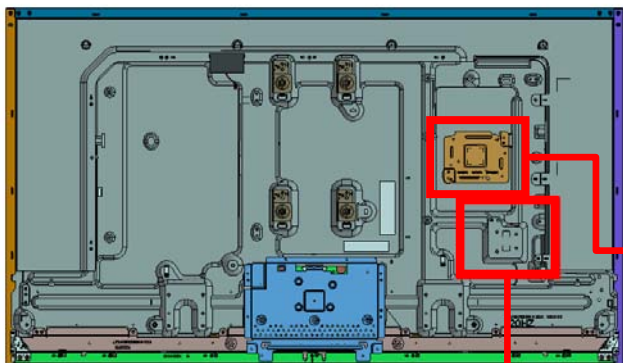
3





## 2. KD-43XD8305

### 2-24. SHEET, THERMAL(BM) AND SHEET, THERMAL (TU AEP)



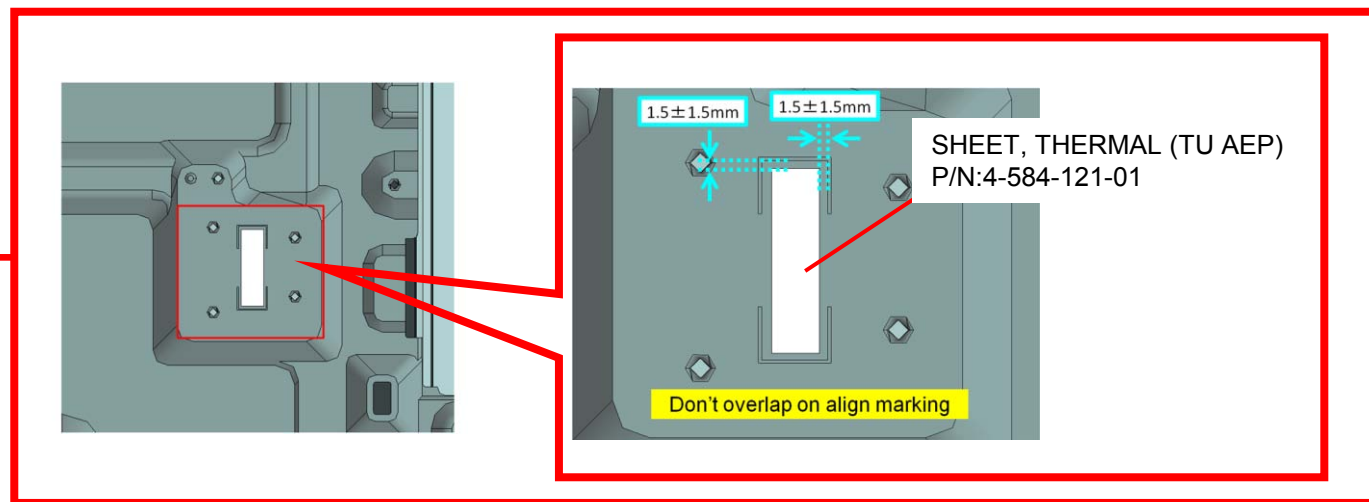
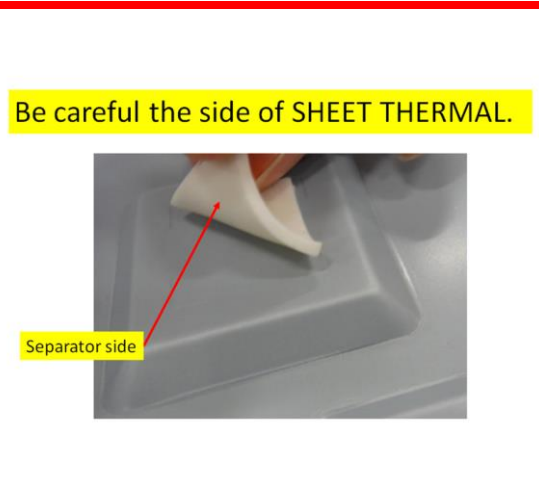
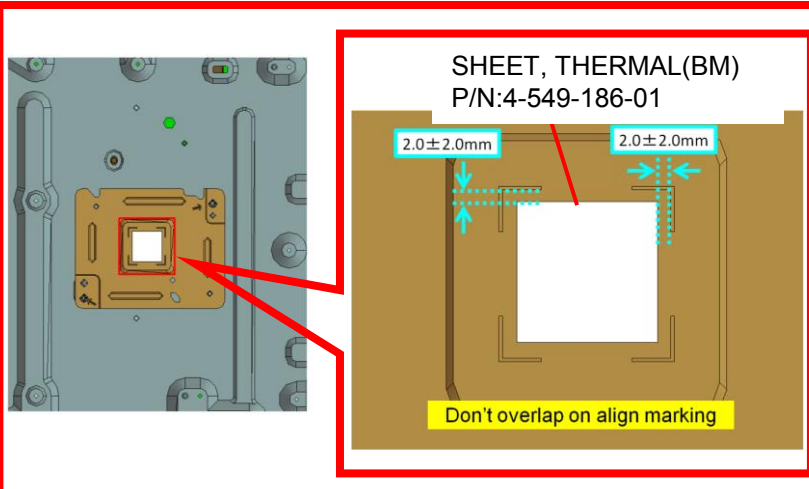
**SHEET, THERMAL(BM)**  
P/N:4-549-186-01

2.0±2.0mm 2.0±2.0mm

Don't overlap on align marking

Be careful the side of SHEET THERMAL.

Separator side



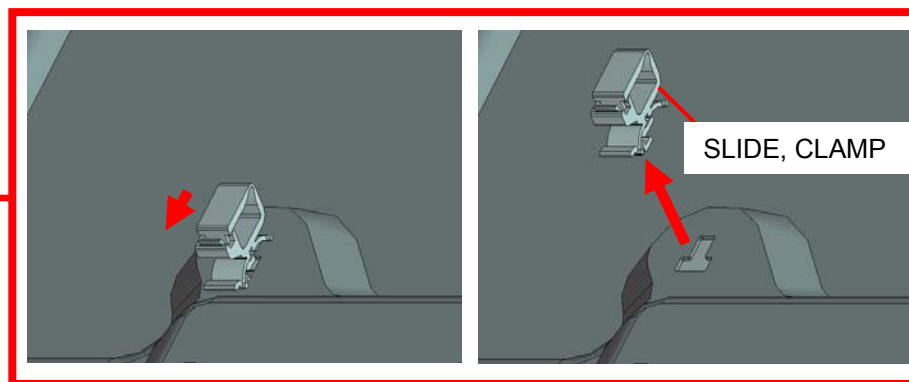
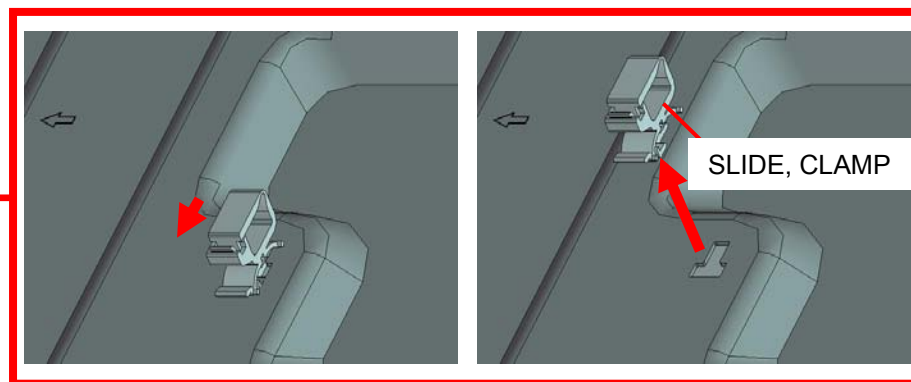
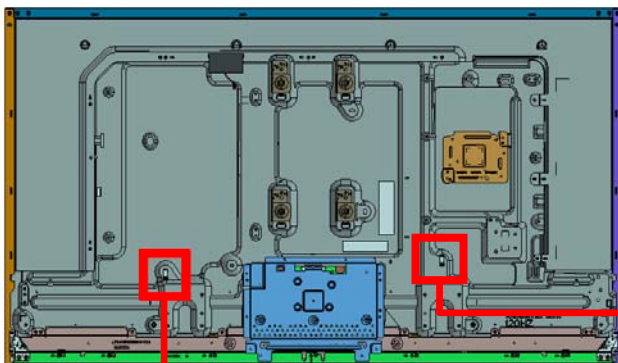
**SHEET, THERMAL (TU AEP)**  
P/N:4-584-121-01

1.5±1.5mm 1.5±1.5mm

Don't overlap on align marking

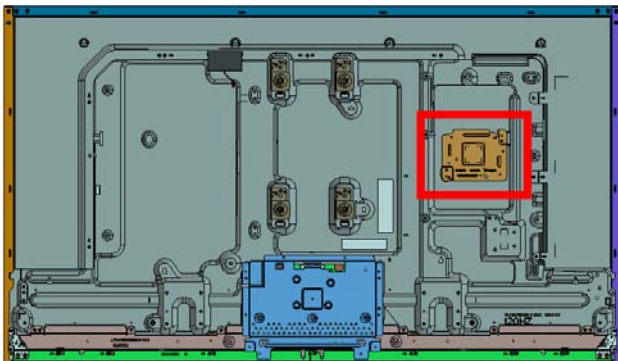
## 2. KD-43XD8305

### 2-25. SLIDE, CLAMP

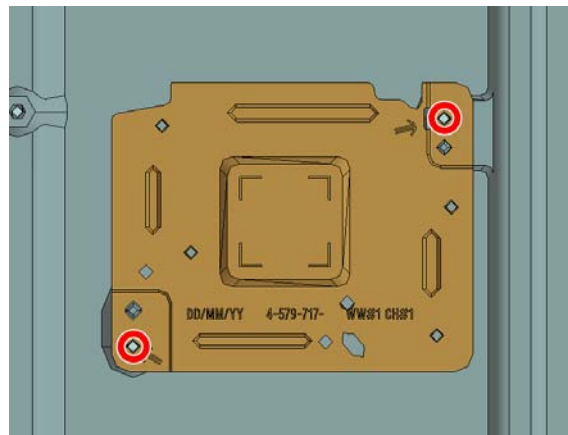


## 2. KD-43XD8305

### 2-26. PLATE, MAIN S (PDT)

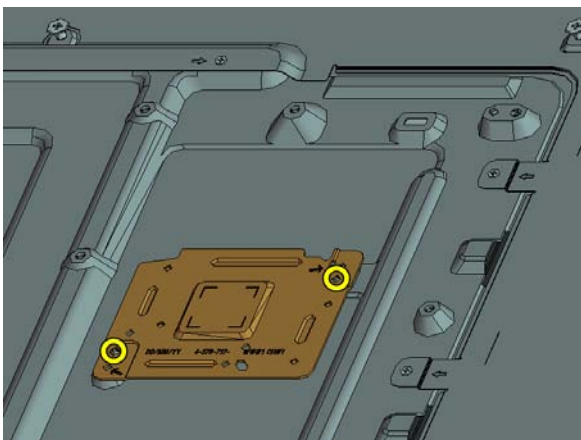


1

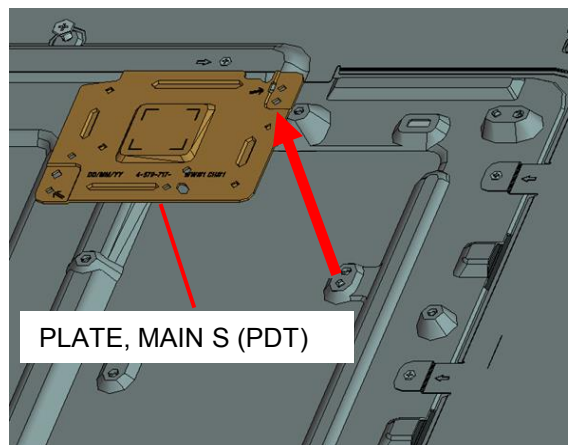


2 screws (SCREW, +PSW M3X6) P/N: 4-472-518-11

2

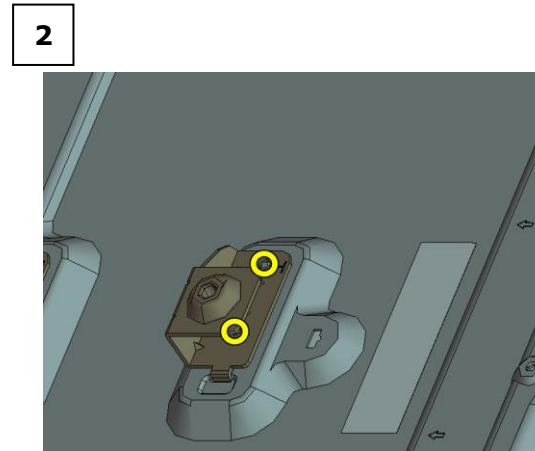
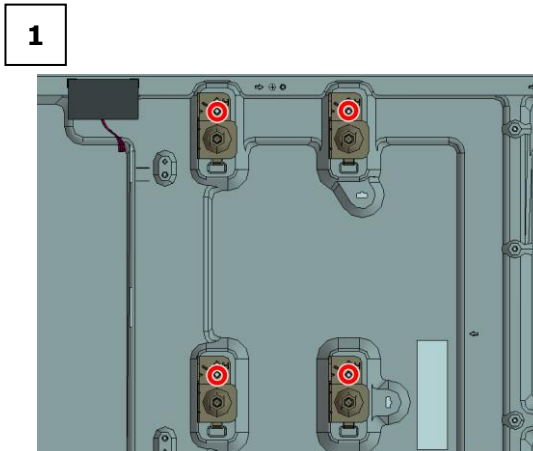
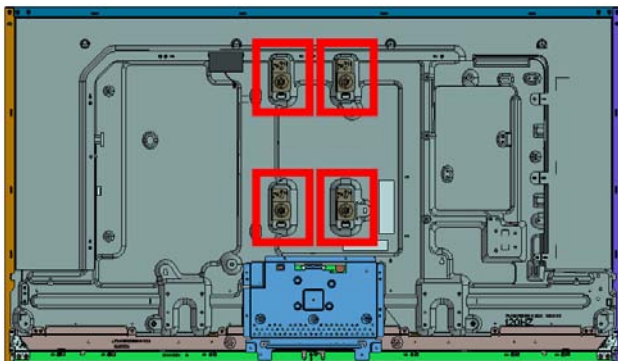


3

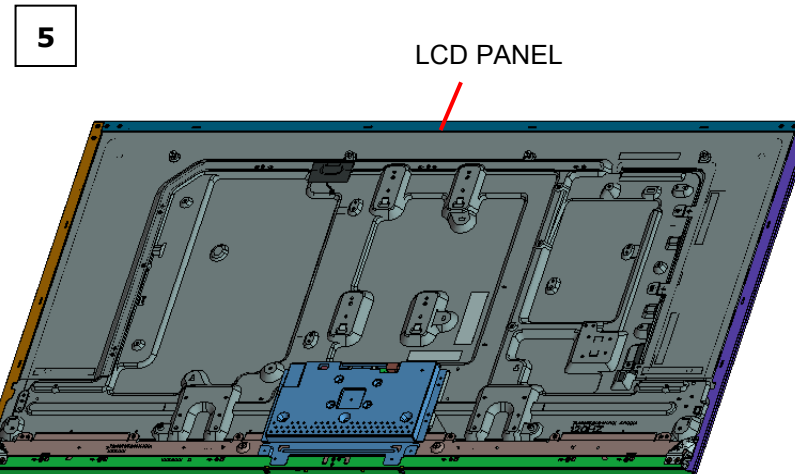
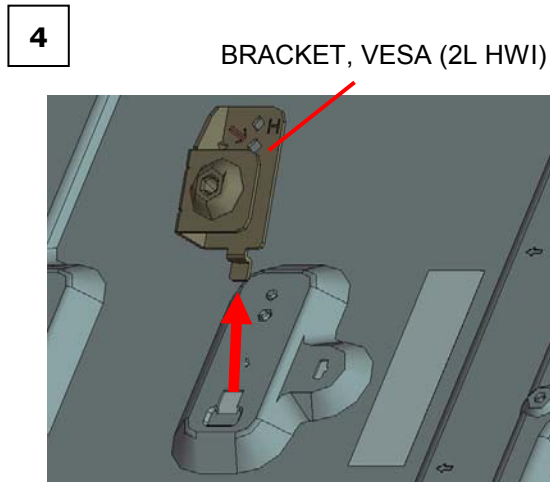
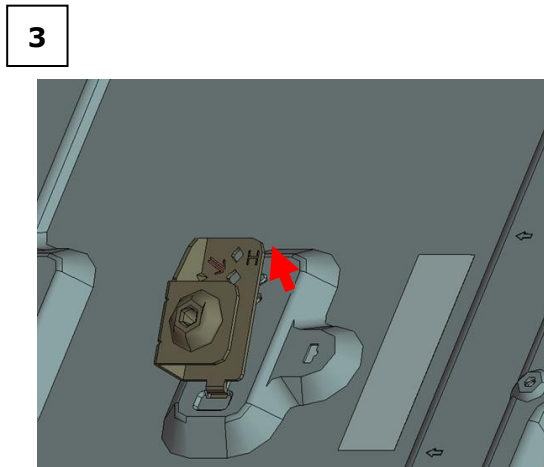


## 2. KD-43XD8305

### 2-27. BRACKET, VESA (2L HWI) AND LCD PANEL

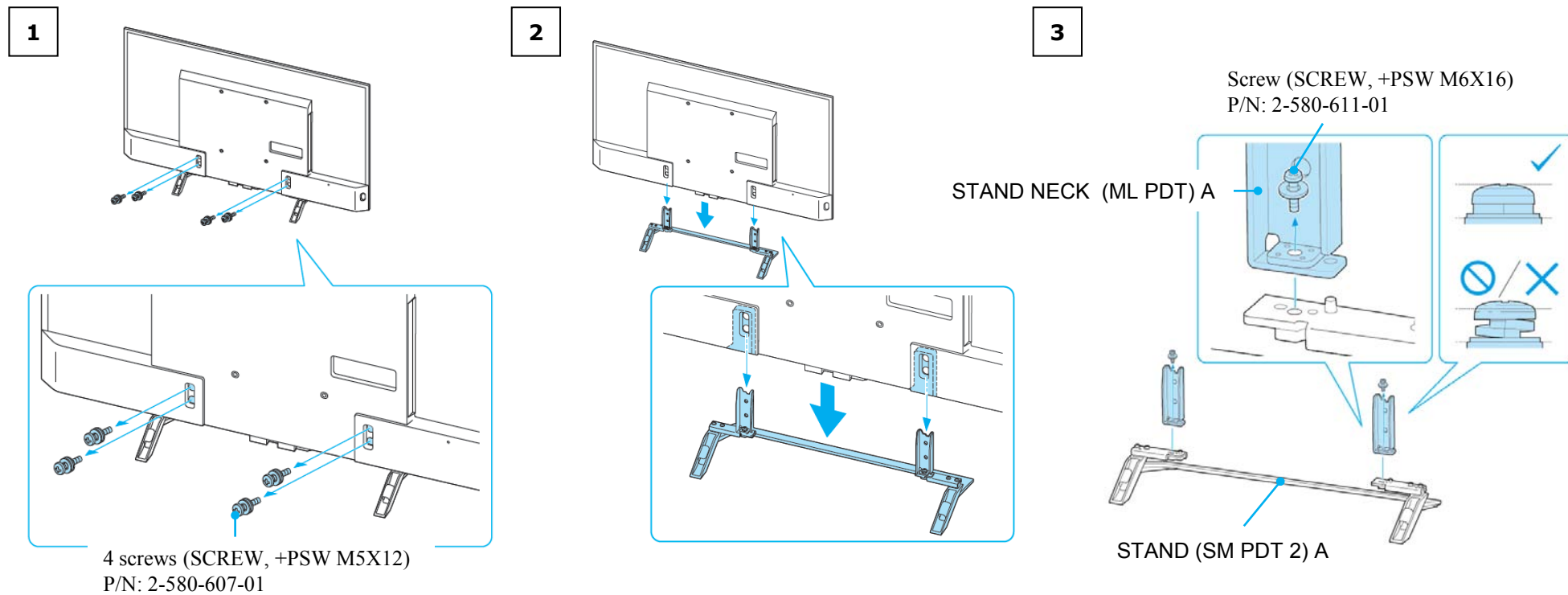


○ 4 screws (SCREW, +PSW M4X10) P/N: 4-159-298-01



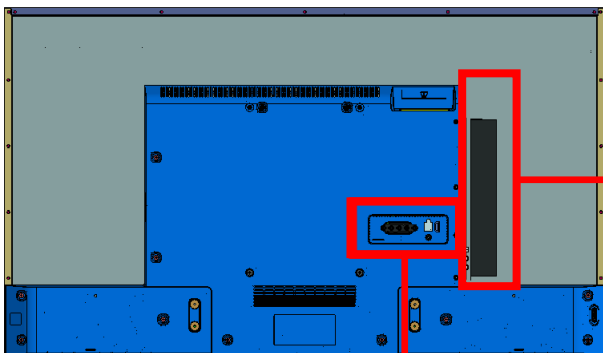
### 3. KD-49XD8005/8077/8088/8099, FW-49XD8001

#### 3-1. STAND NECK (ML PDT) A AND STAND (SM PDT 2) A

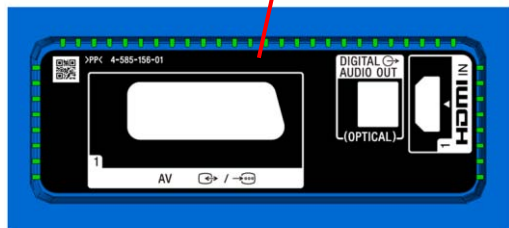


### 3. KD-49XD8005/8077/8088/8099, FW-49XD8001

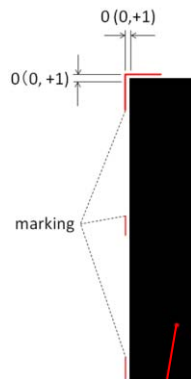
#### 3-2. LABEL, REAR TERMINAL (PDT) AND LABEL, SIDE TERMINAL(PDT)



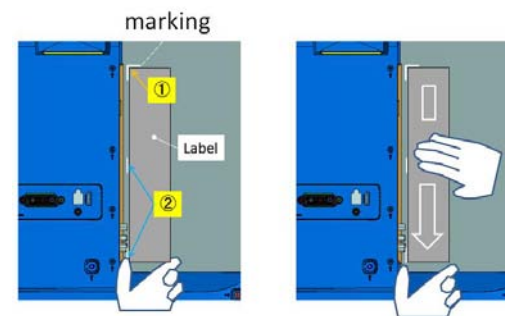
LABEL, REAR TERMINAL (PDT)



When you do panel replacement, please also replace this part at the same time to a new one.



LABEL, SIDE TERMINAL(PDT)



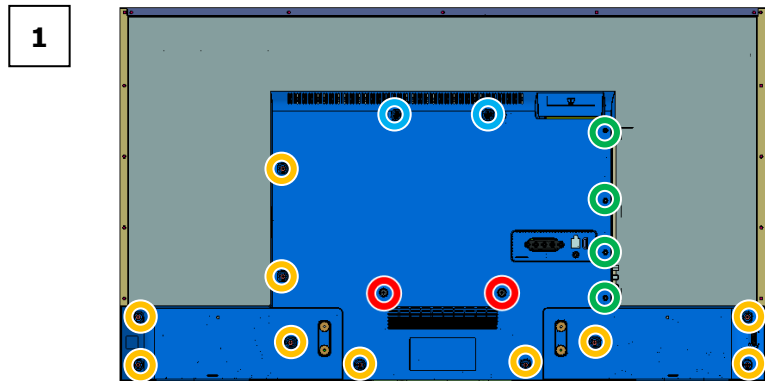
Align the label to the marking,  
① corner edge  
② left side line

To prevent bubbles from entering,  
Please stroked the label from the  
top side to bottom side.

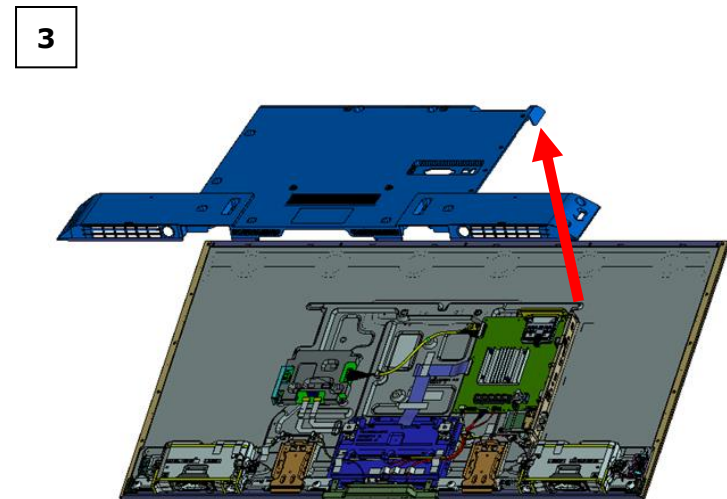
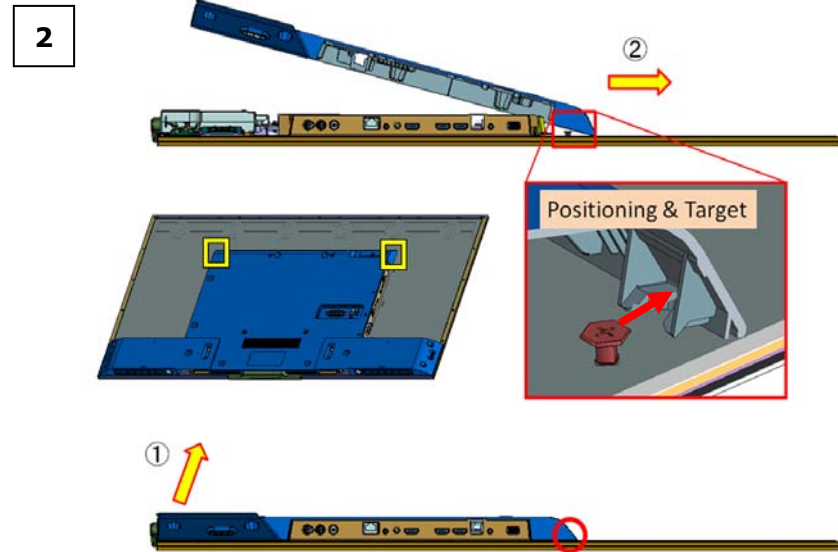
Caution: Don't damage to LABEL. Scratch, deform, dirty etc....

### 3. KD-49XD8005/8077/8088/8099, FW-49XD8001

#### 3-3. REAR COVER (ML\_PDT) A AND BRACKET, VESA



- 2 screws (SCREW, ORNAMENTAL M6X12) P/N: 4-268-126-02
- 2 screws (SCREW, +PSW M4X10) P/N: 4-159-298-01
- 4 screws (SCREW +BVTP 3X10 TYPE2 IT-3) P/N: 7-685-647-79
- 10 screws (SCREW M3X3.0 STEP) P/N: 4-579-926-01

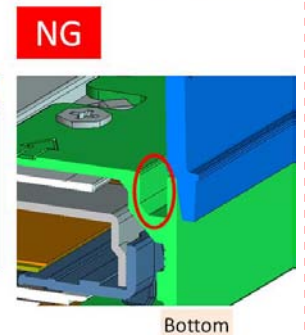
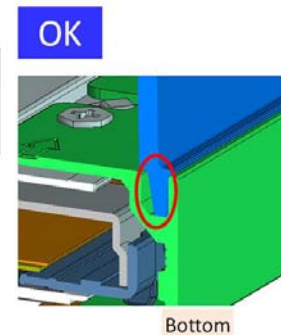
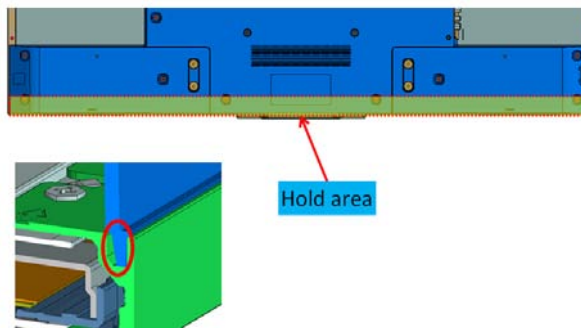


Don't hit R/C to BT ANTENNA.

**NOTE:**

Hold R/C to not floating while screwing.

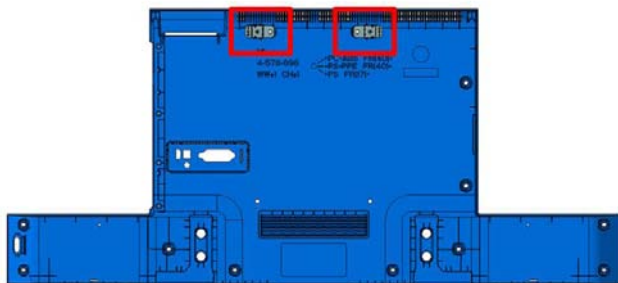
Ensure R/C is installed to slit of panel.



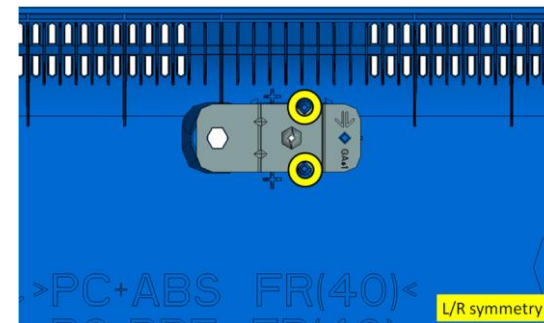
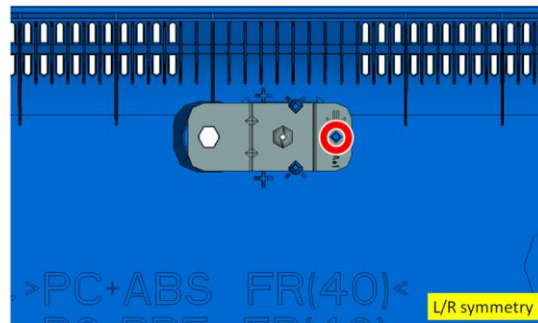
### 3. KD-49XD8005/8077/8088/8099, FW-49XD8001

#### 3-3. REAR COVER (ML\_PDT) A AND BRACKET, VESA

4

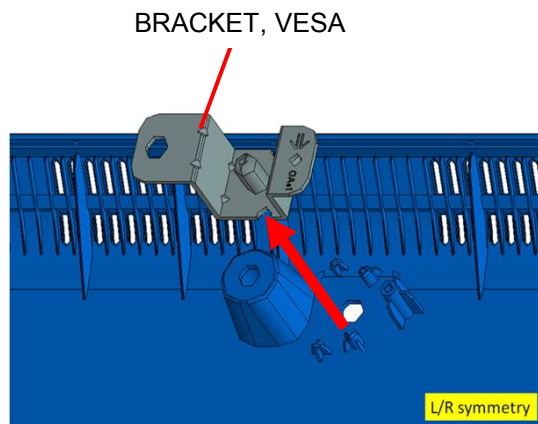


5

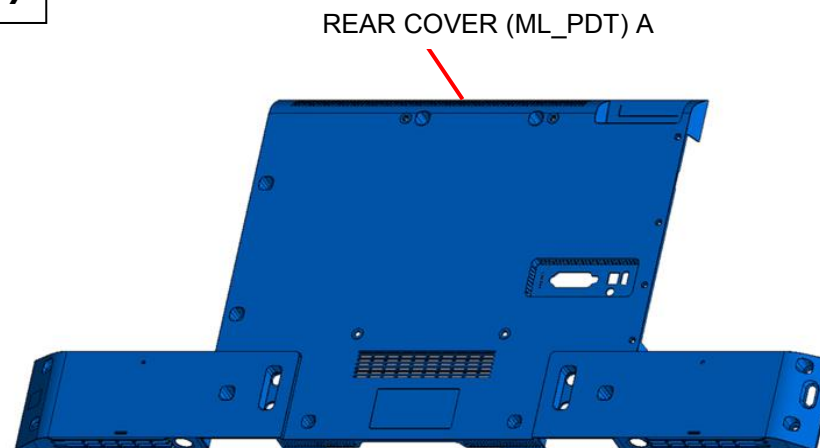


○ Screw (SCREW +BVTP 3X8 TYPE2 IT-3) P/N: 7-685-646-79

6



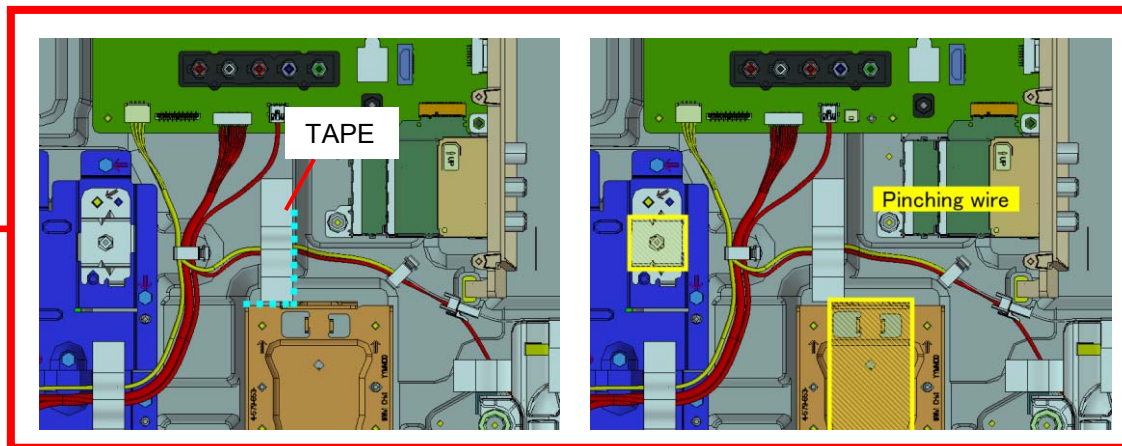
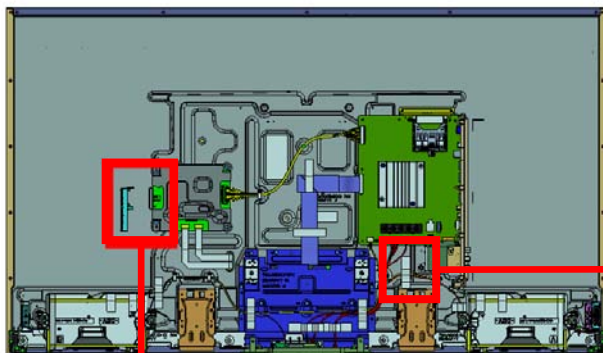
7



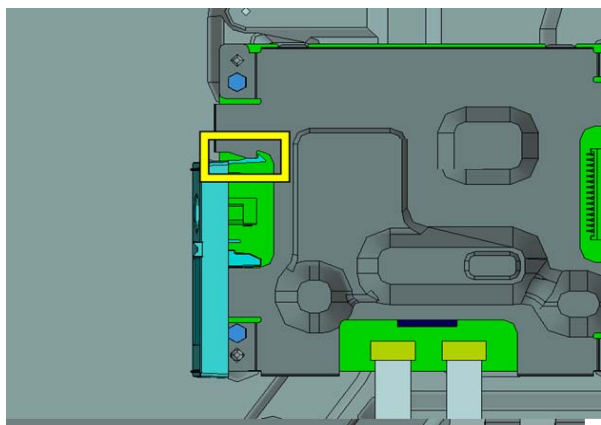


### 3. KD-49XD8005/8077/8088/8099, FW-49XD8001

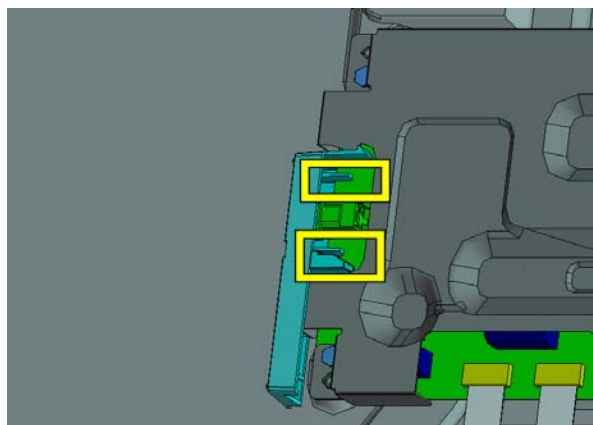
#### 3-4. BRACKET, DC JACK (PDT) AND TAPE



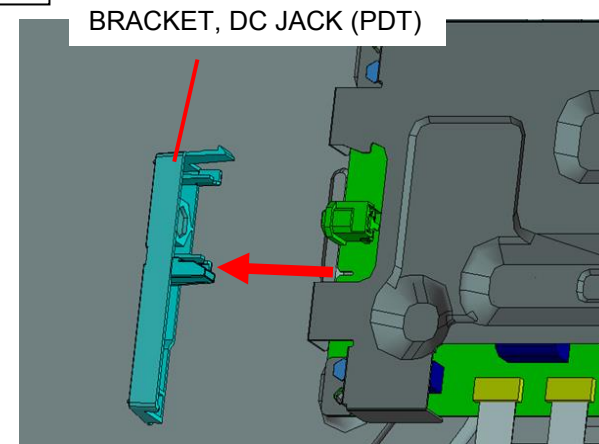
1



2

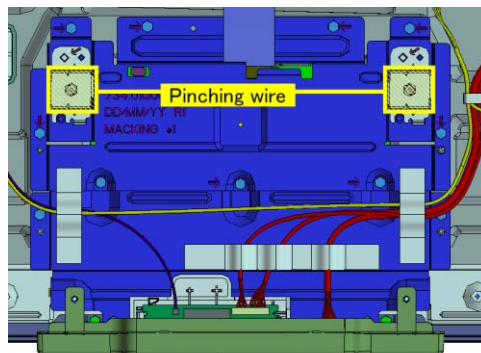
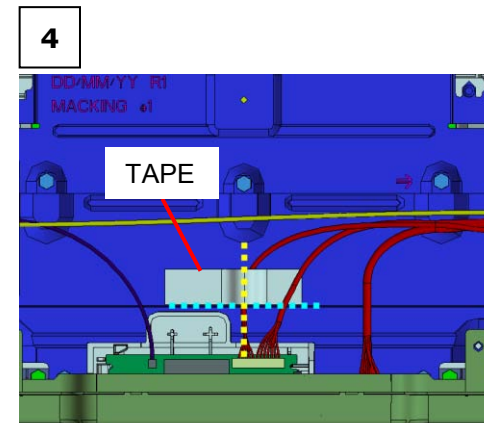
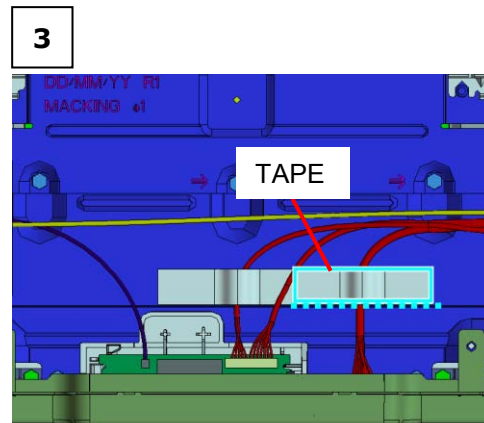
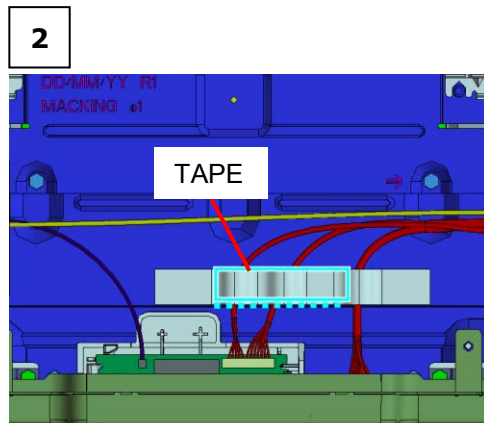
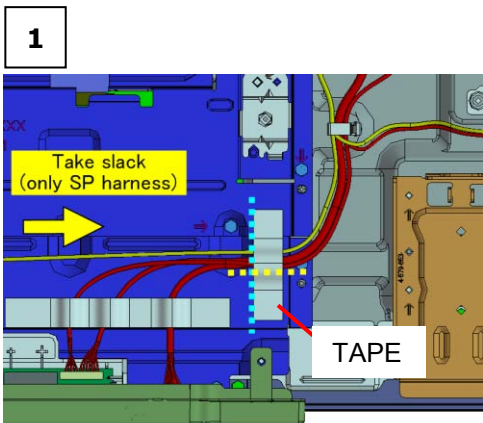
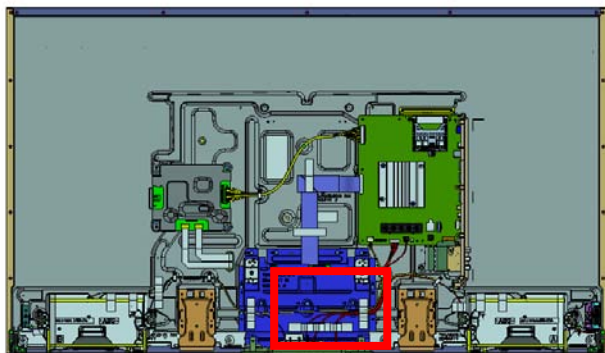


3



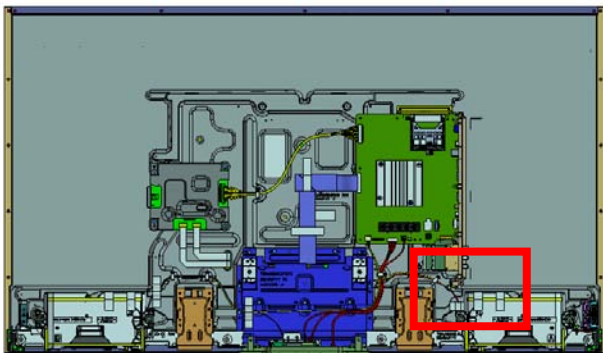
### 3. KD-49XD8005/8077/8088/8099, FW-49XD8001

#### 3-5. TAPE

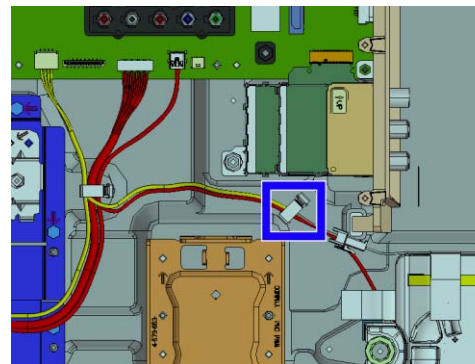


### 3. KD-49XD8005/8077/8088/8099, FW-49XD8001

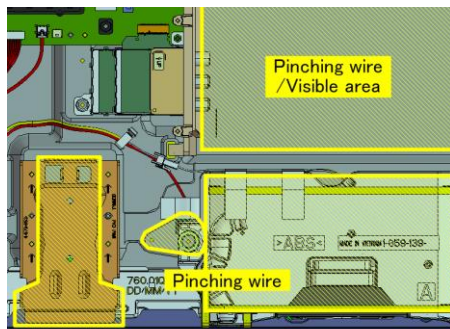
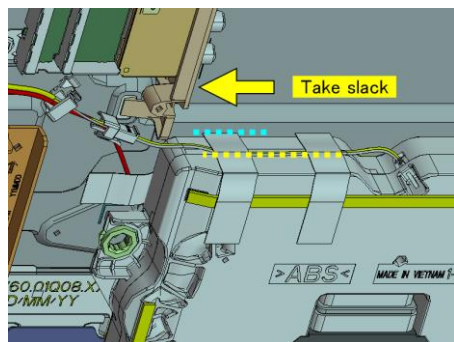
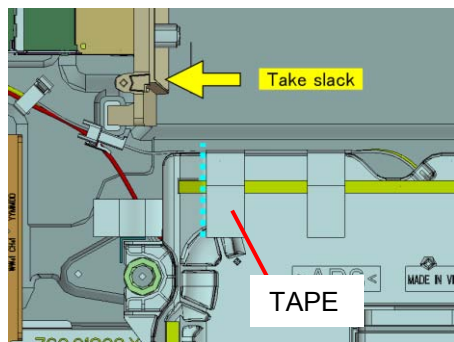
#### 3-6. WIRE DRESSING AND TAPE



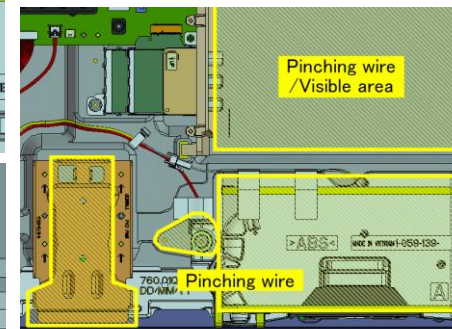
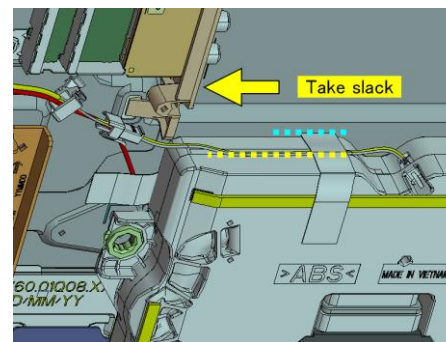
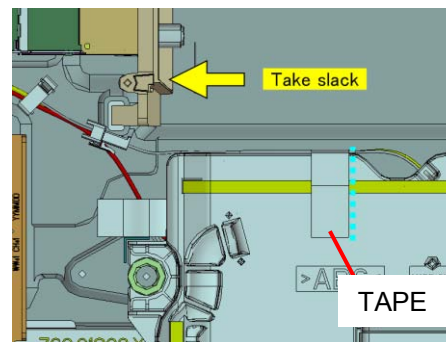
1



2

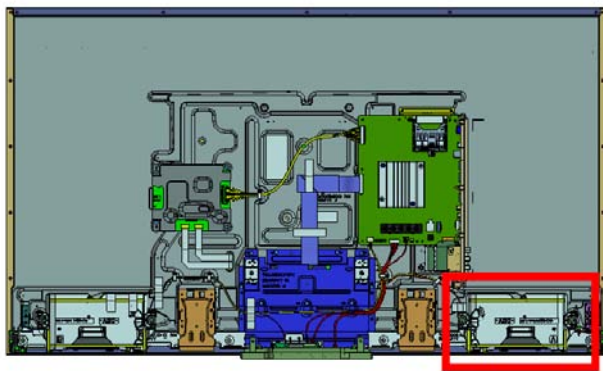


3

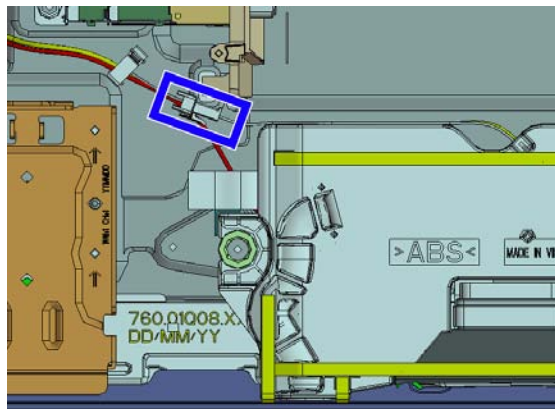


### 3. KD-49XD8005/8077/8088/8099, FW-49XD8001

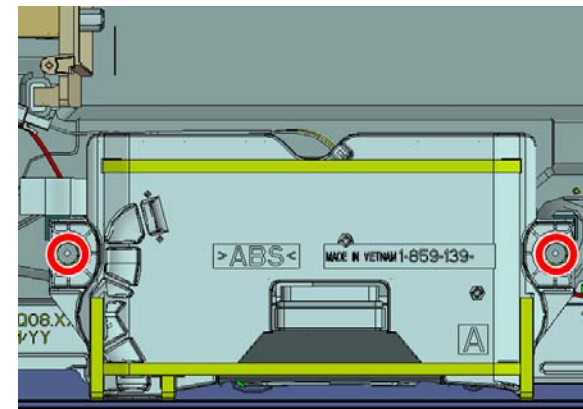
#### 3-7. SP-BOX ASSY, W25(S)-EA



1

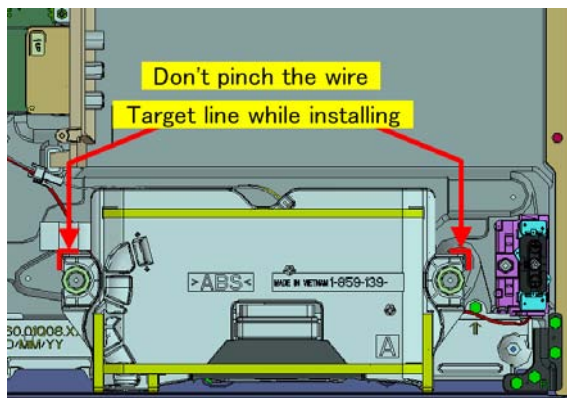


2

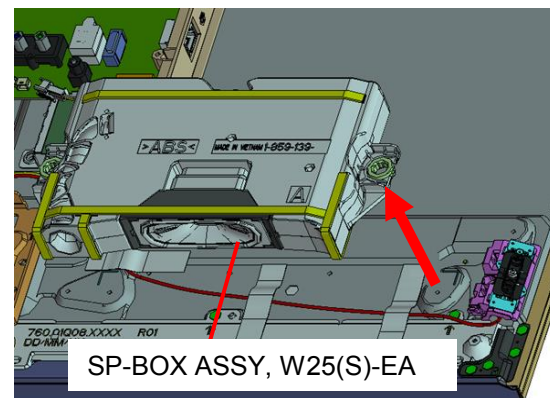


○ 2 screws (PULLEY, SP (PDT)) P/N: 4-579-924-01

3

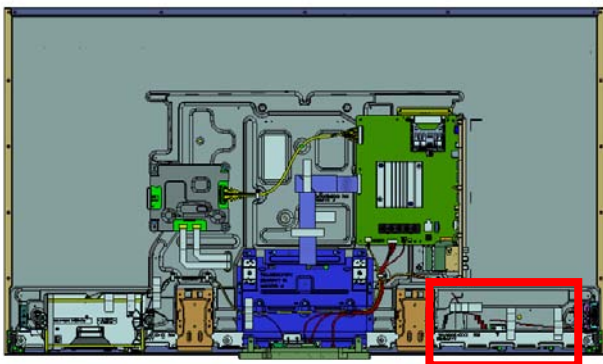


4

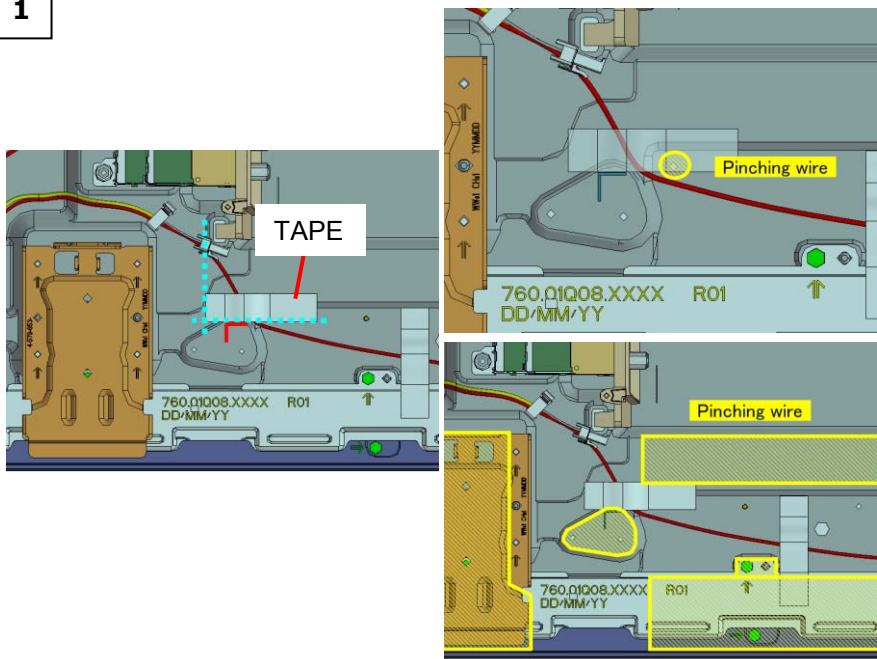


### 3. KD-49XD8005/8077/8088/8099, FW-49XD8001

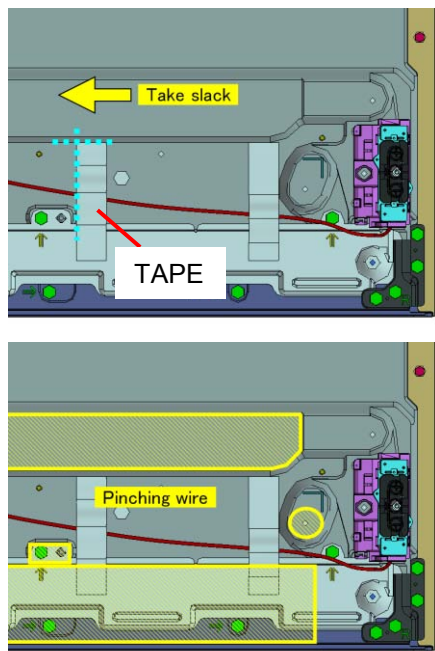
#### 3-8. TAPE



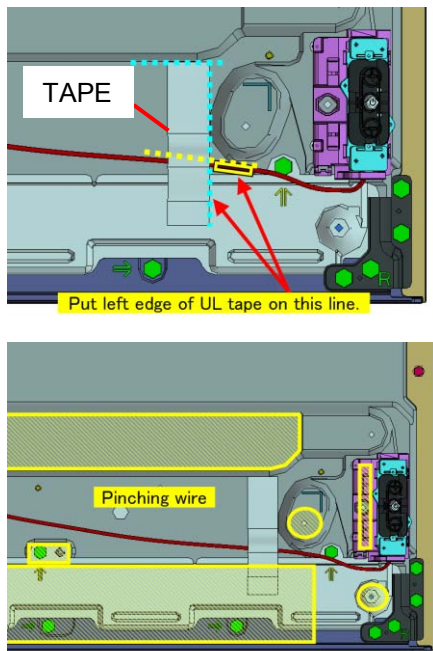
1



2

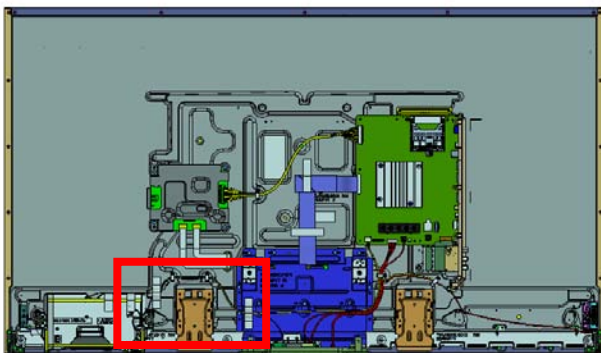


3

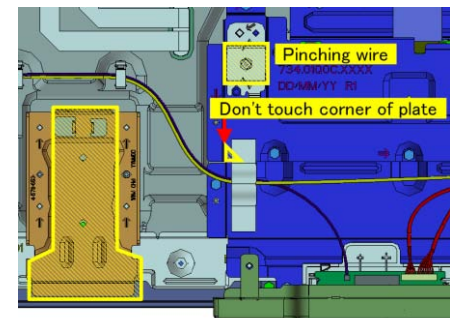
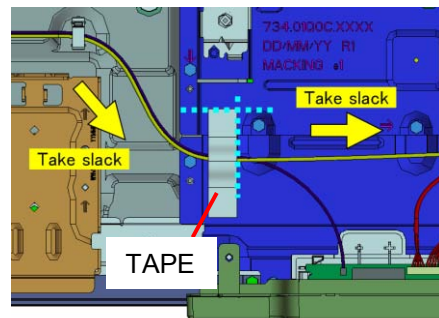


### 3. KD-49XD8005/8077/8088/8099, FW-49XD8001

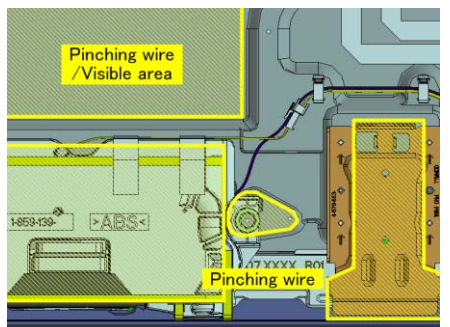
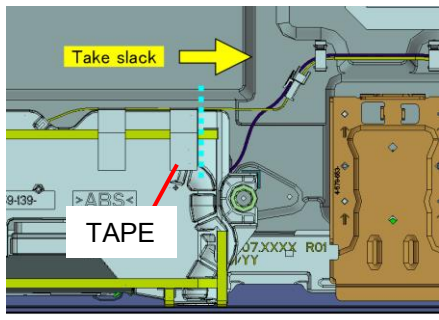
#### 3-9. TAPE



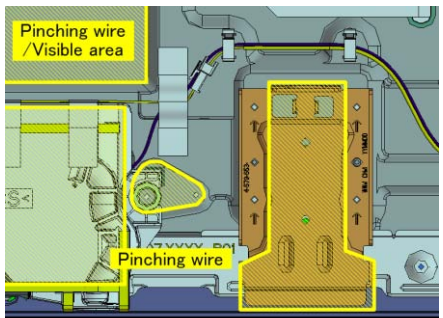
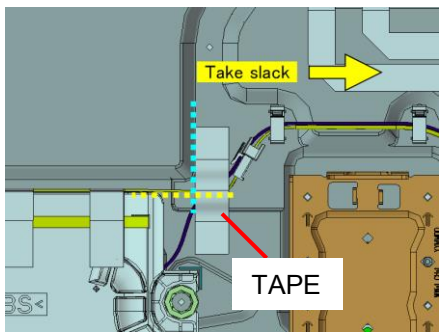
1



3



2

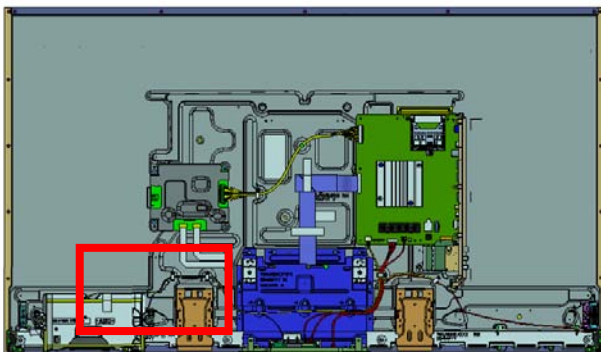


SP relay connector direction

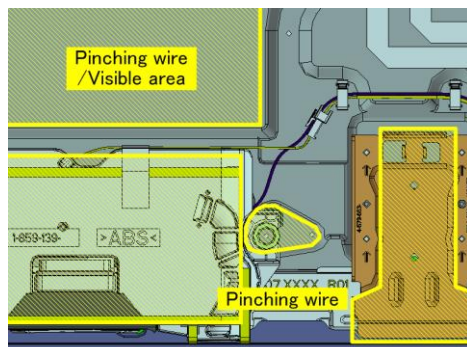
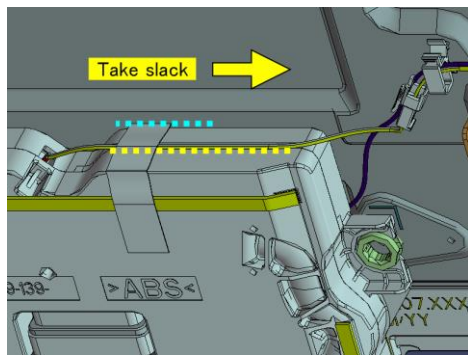
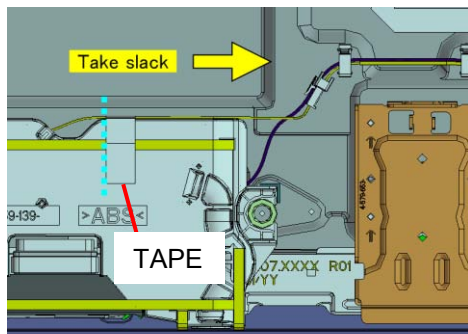
<b>OK</b>	<b>NG</b>
<p>Lock structure face except NG direction.</p>	<p>Lock structure face Back Chassis side.</p>

### 3. KD-49XD8005/8077/8088/8099, FW-49XD8001

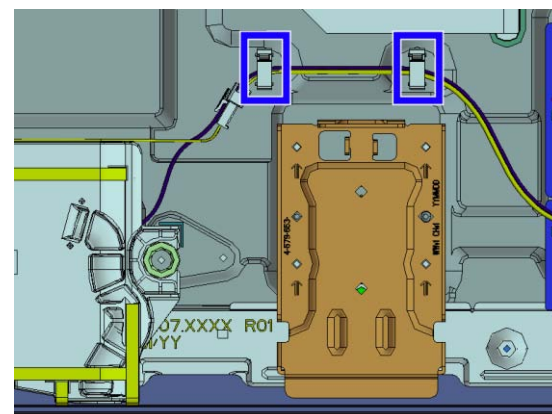
#### 3-10. TAPE AND WIRE DRESSING



1

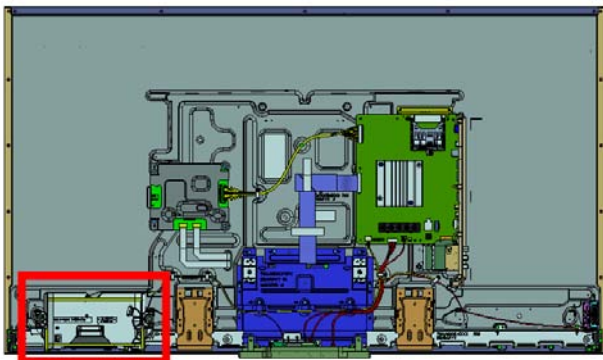


2

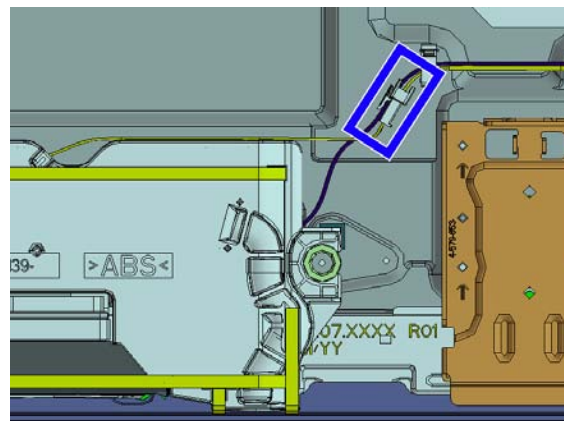


### 3. KD-49XD8005/8077/8088/8099, FW-49XD8001

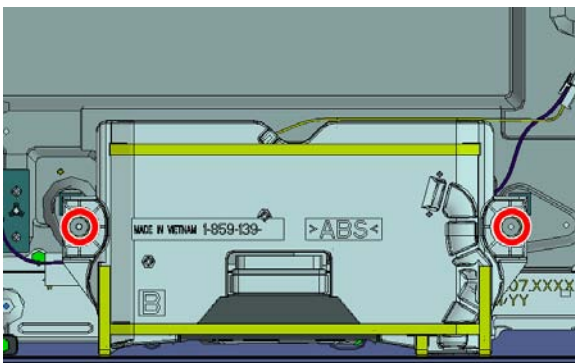
#### 3-11. SP-BOX ASSY, W25(S)-EB



1

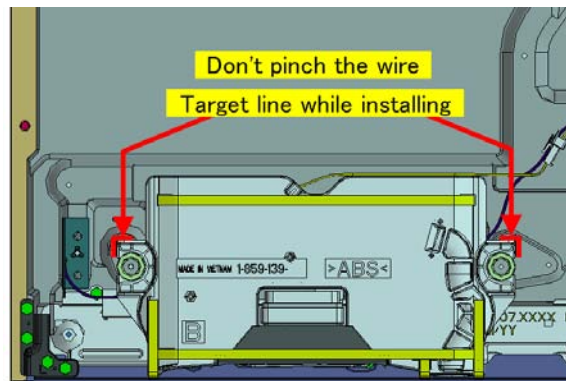


2

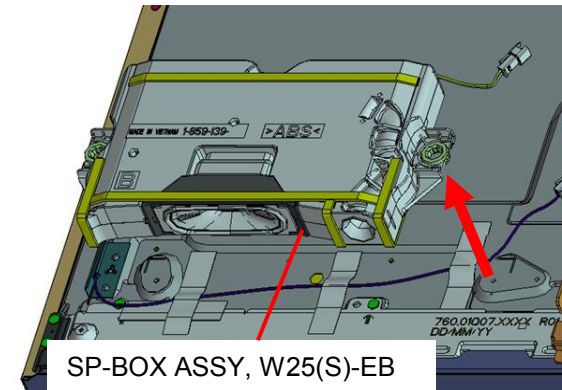


2 screws (PULLEY, SP(PDT)) P/N: 4-579-924-01

3



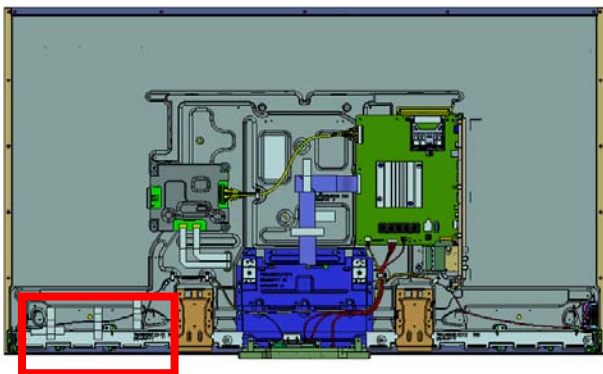
4



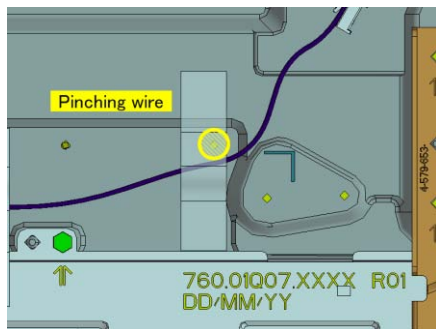
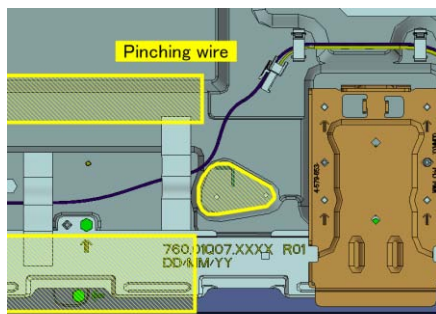
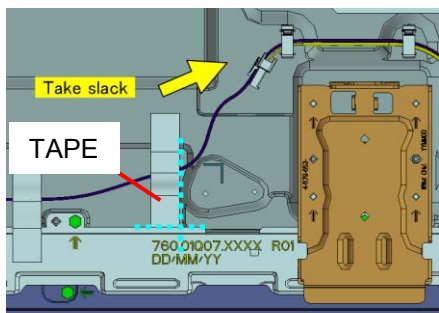


### 3. KD-49XD8005/8077/8088/8099, FW-49XD8001

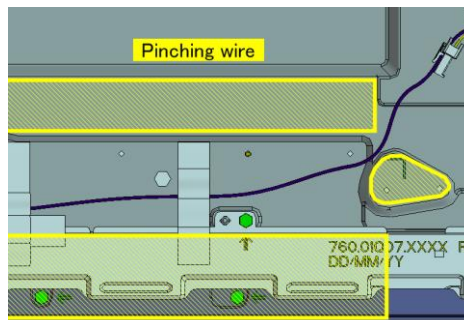
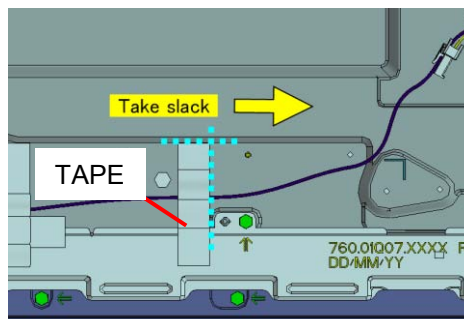
#### 3-12. TAPE



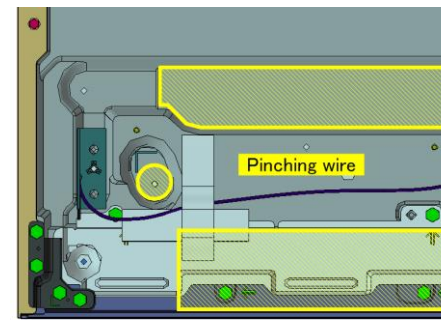
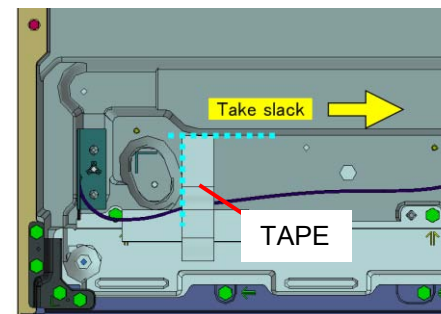
1



2

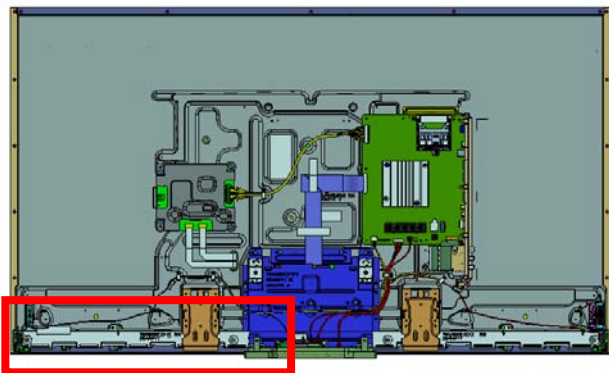


3

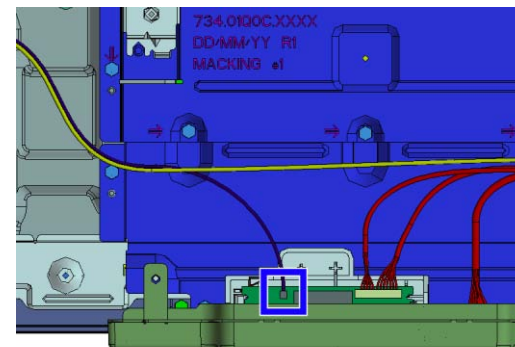


### 3. KD-49XD8005/8077/8088/8099, FW-49XD8001

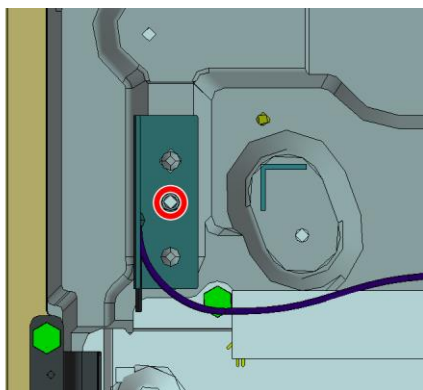
#### 3-13. BT ANTENNA



1

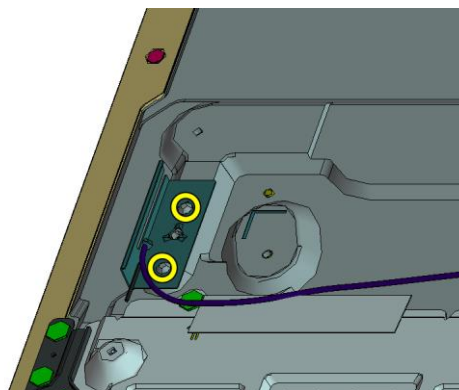


2

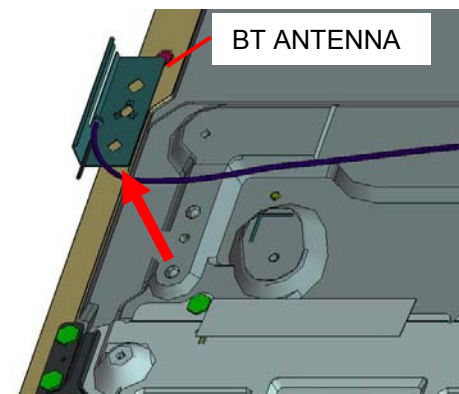


○ Screw (SCREW, +PSW M3X6) P/N: 4-472-518-11

3

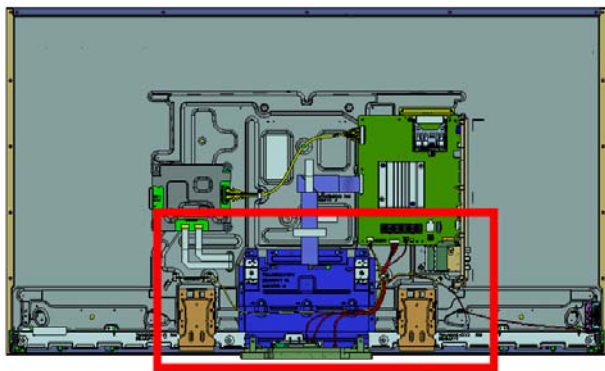


4

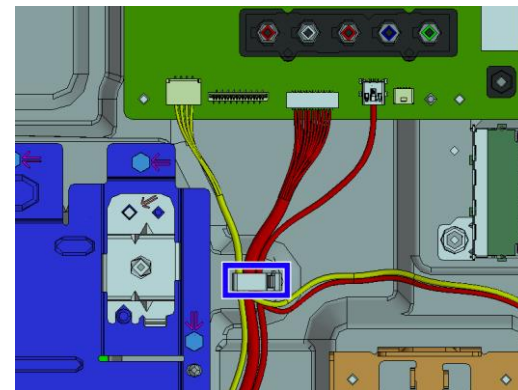


### 3. KD-49XD8005/8077/8088/8099, FW-49XD8001

#### 3-14. WIRE DRESSING AND CONNECTOR ASSY 4P

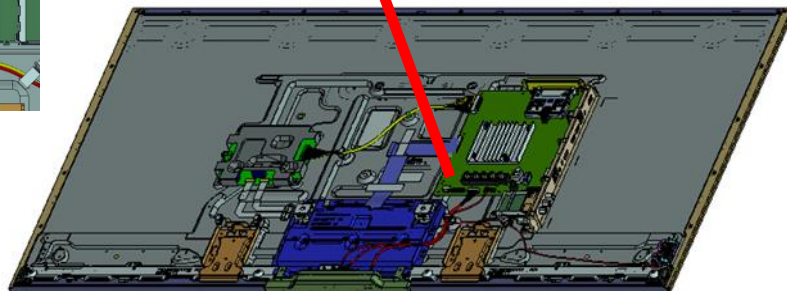
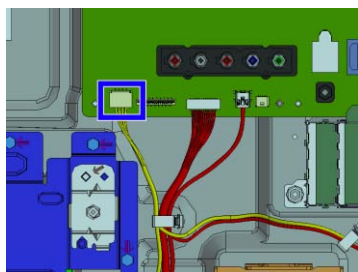


1

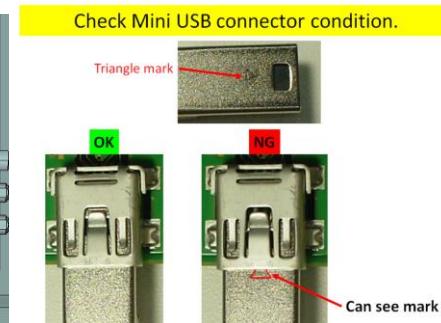
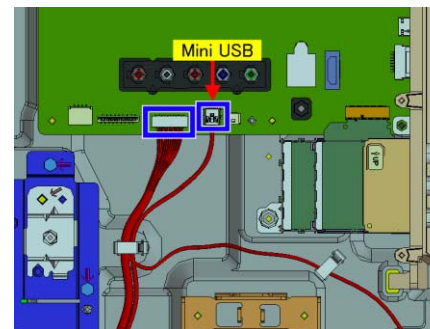


2

CONNECTOR ASSY 4P  
P/N: 1-910-110-96

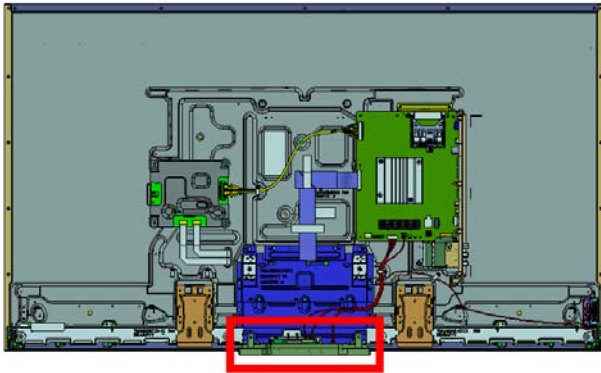


3



### 3. KD-49XD8005/8077/8088/8099, FW-49XD8001

#### 3-15. SMART CORE (S)



**NOTE:**

Don't touch these components while installing.

Antenna Terminal    Connector

Don't scratch O/P with Bezel while installing.

Ornament Panel

Confirm Smart Core is assembled properly before tightening screw of Smart Core.

※ Confirm opposite side also. When check the Gap, don't hold the Smart Core.

<b>OK</b>	<b>NG</b>

There are 2 check points.

After confirmation of gap, tighten screw.

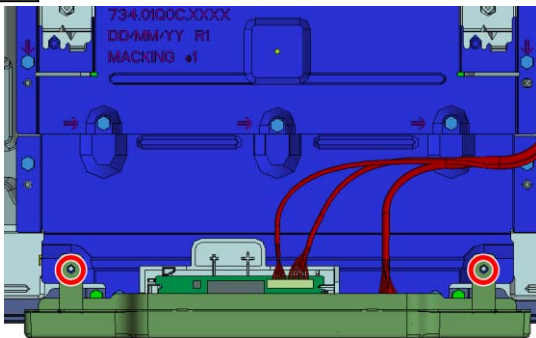
How to distinguish SC for M1 and M2

For M2: With printing "H084.02"

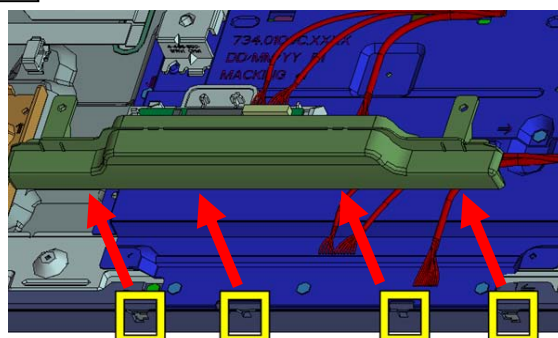
For M1: Without printing

For This Model

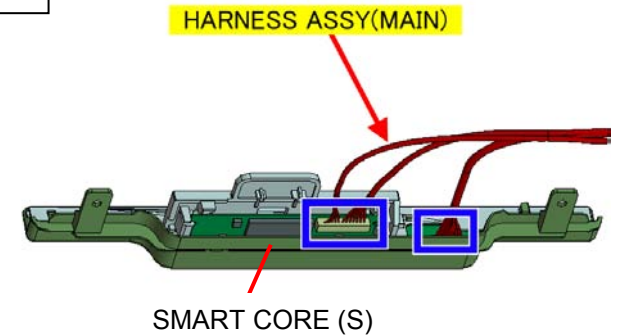
1



2



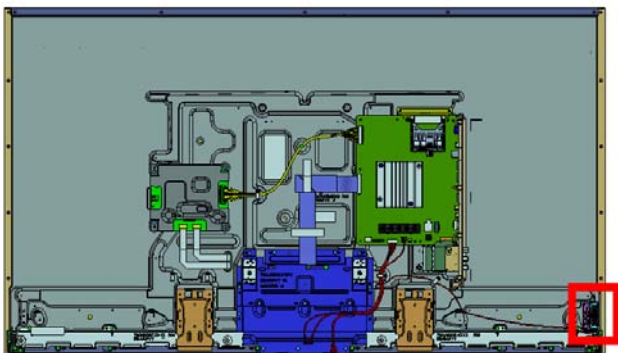
3



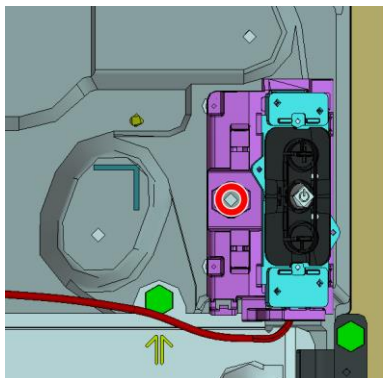
○ 2 screws (SCREW, +PSW M3X6) P/N: 4-472-518-11

### 3. KD-49XD8005/8077/8088/8099, FW-49XD8001

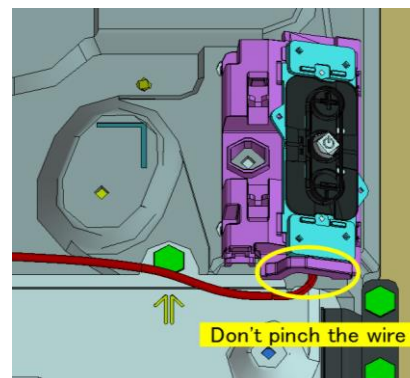
#### 3-16. HOLDER SIDE SW(PDT) AND SWITCH UNIT (3M-P)



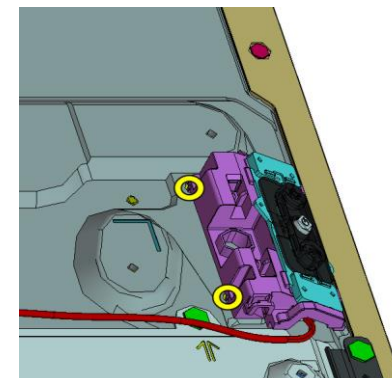
1



2

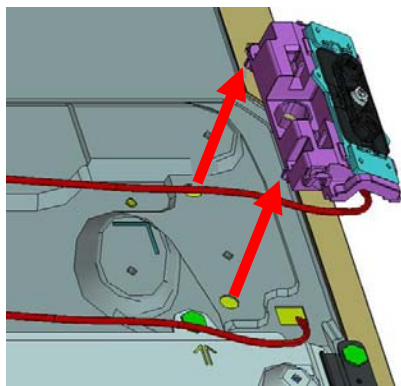


3

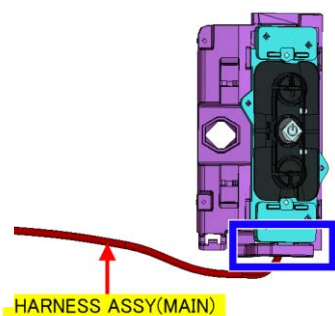


○ Screw (SCREW M3X3.0 STEP) P/N: 4-579-926-01

4



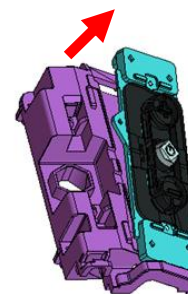
5



6

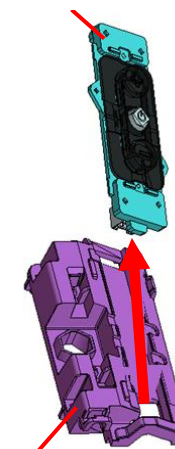


7



8

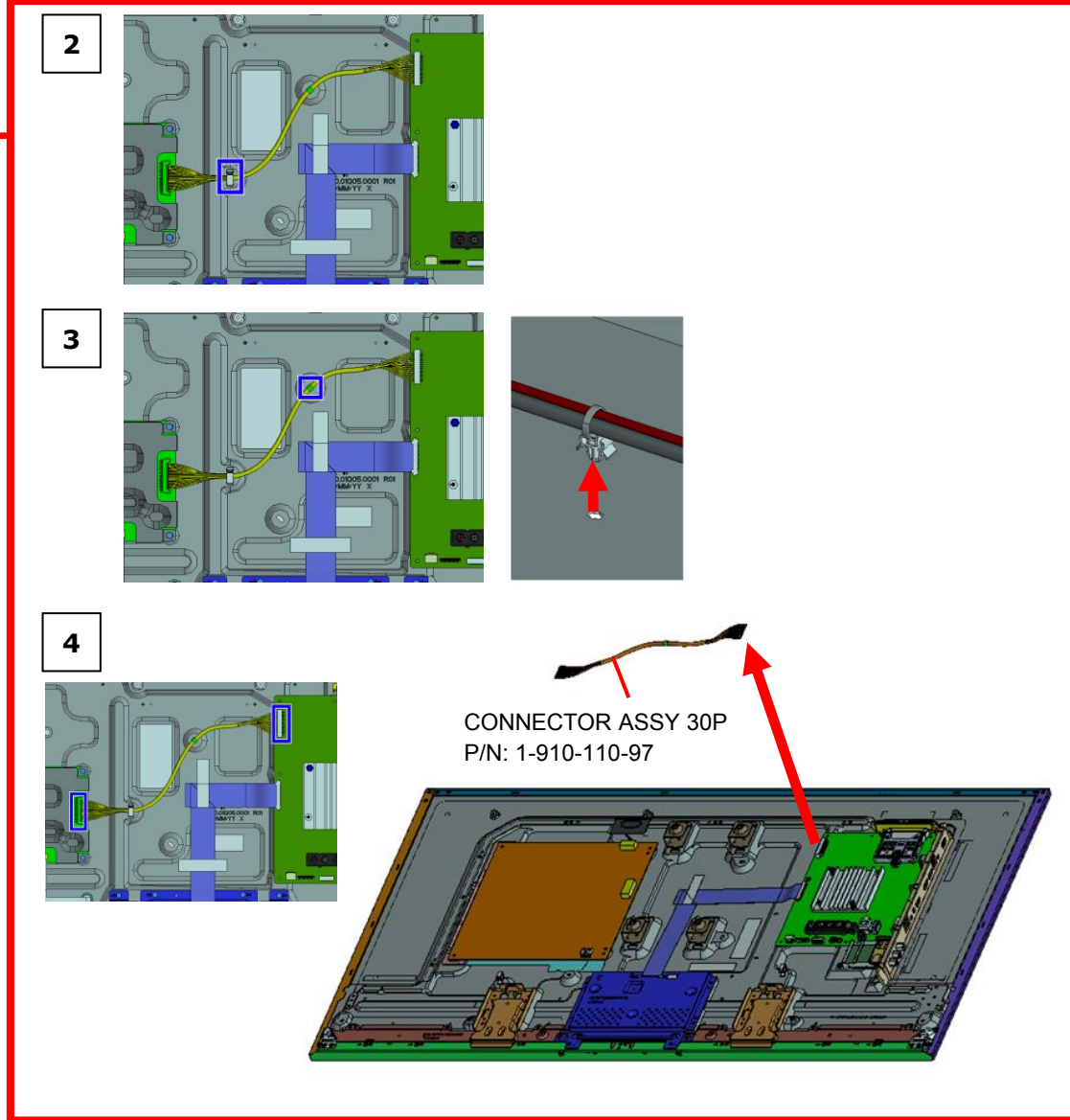
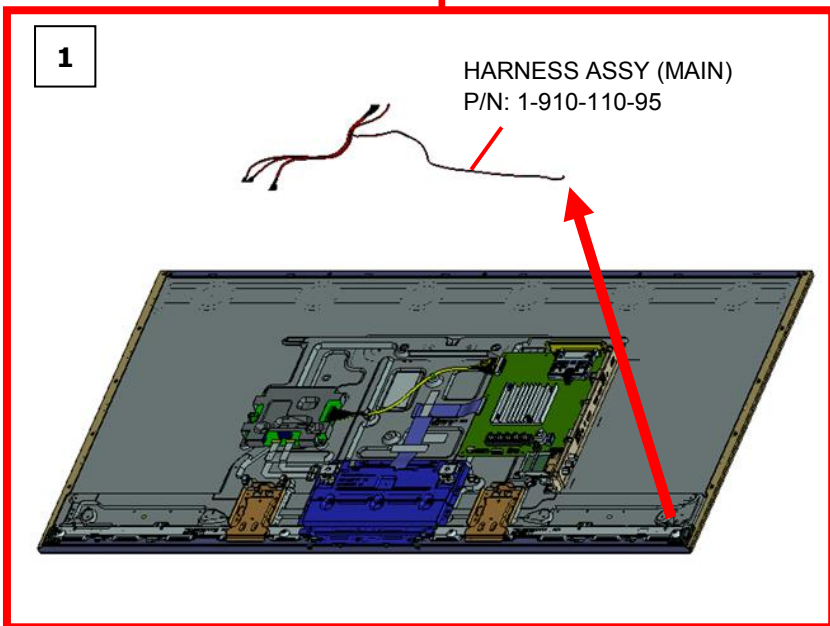
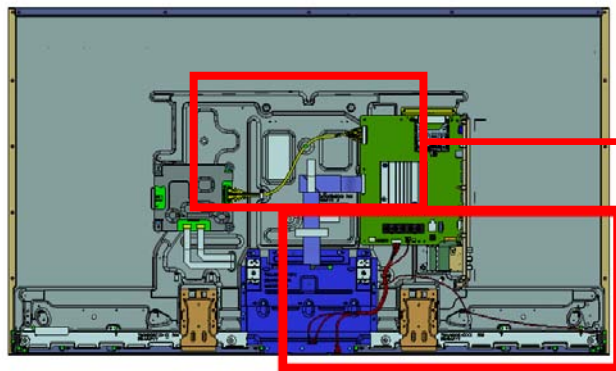
SWITCH UNIT (3M-P)



HOLDER SIDE SW(PDT)

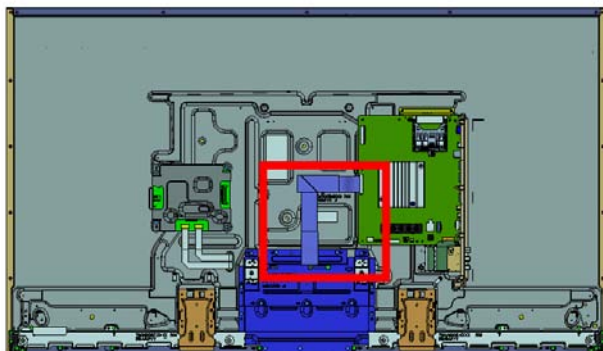
### 3. KD-49XD8005/8077/8088/8099, FW-49XD8001

#### 3-17. HARNESS ASSY (MAIN) AND WIRE DRESSING AND CONNECTOR ASSY 30P

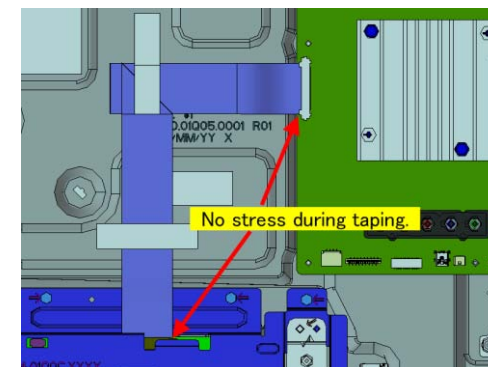
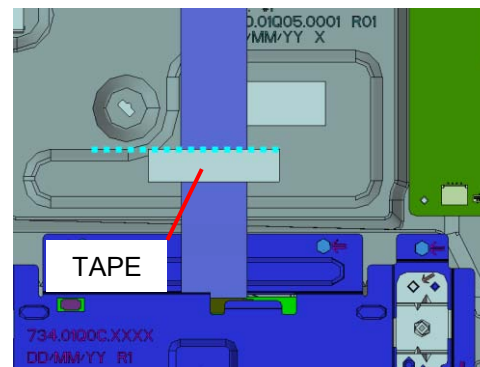


### 3. KD-49XD8005/8077/8088/8099, FW-49XD8001

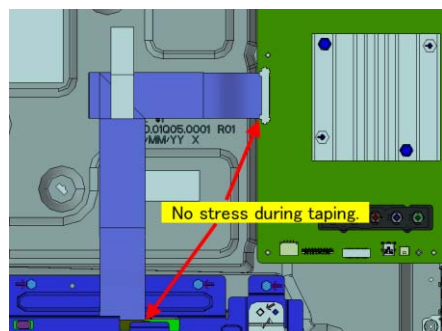
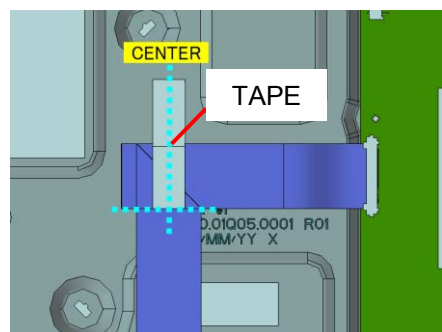
#### 3-18. TAPE AND FLEXIBLE FLAT CABLE 51P



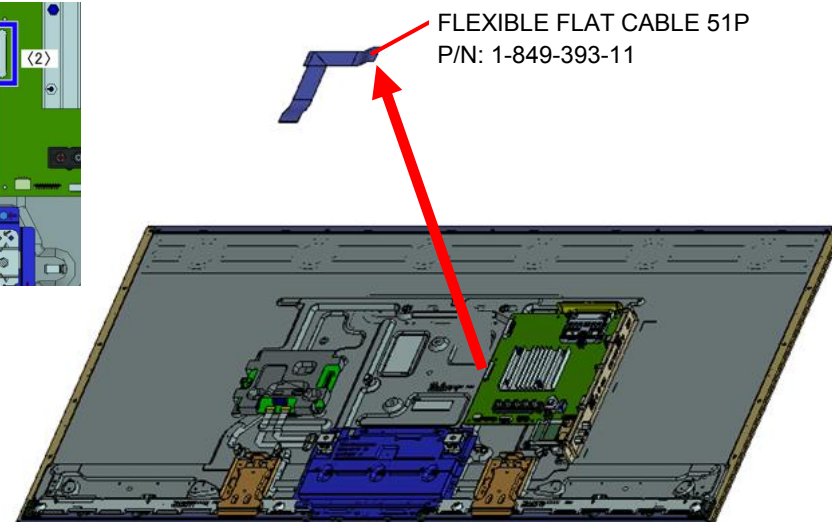
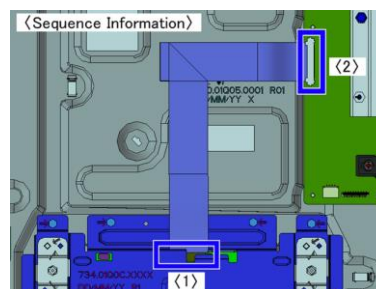
1



2

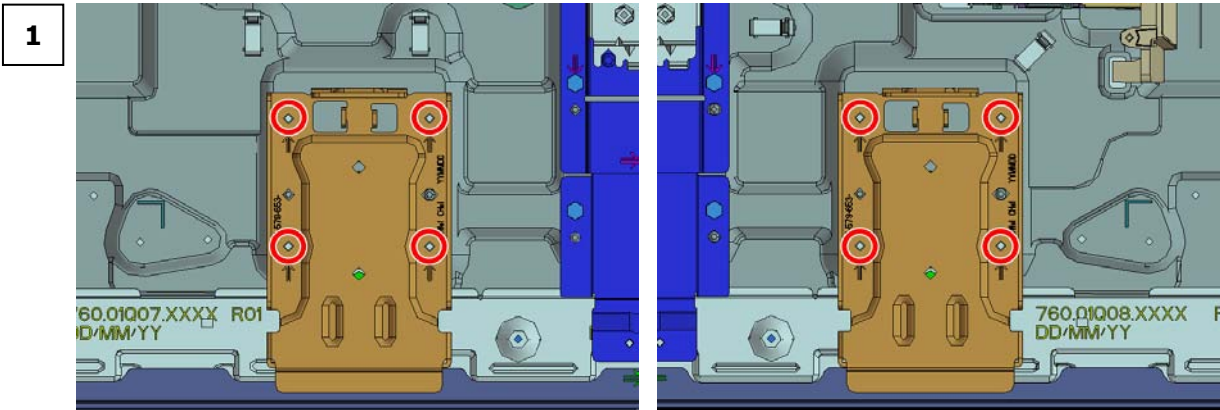
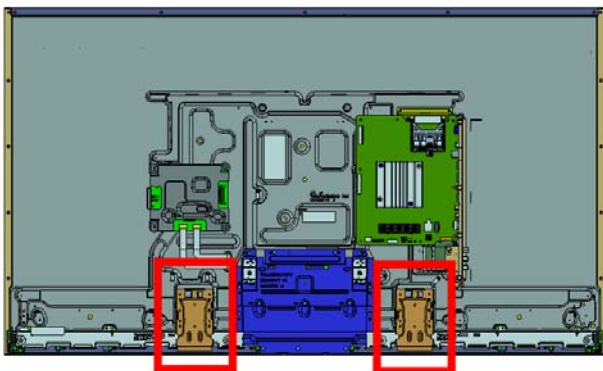


3

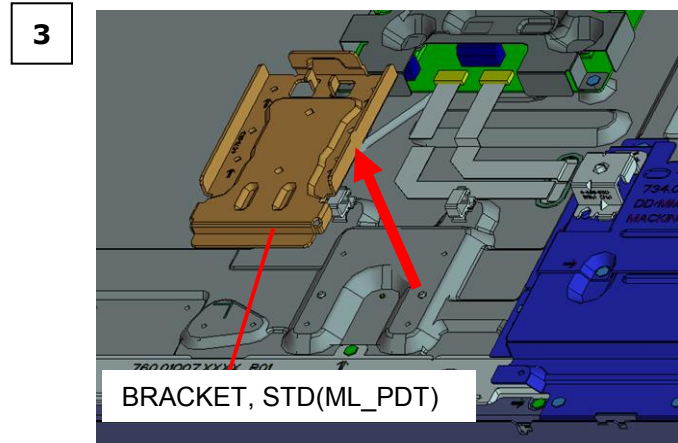
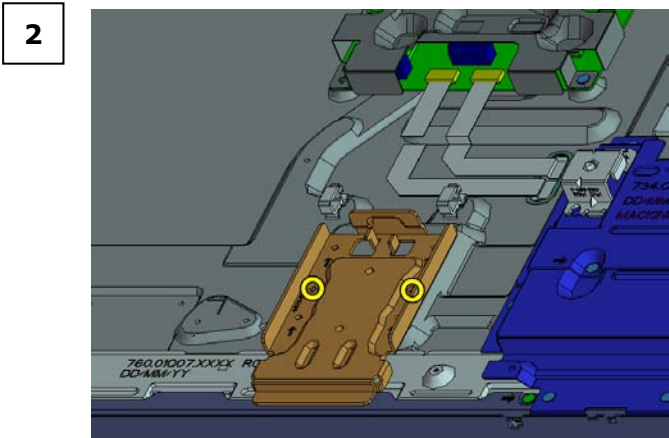


### 3. KD-49XD8005/8077/8088/8099, FW-49XD8001

#### 3-19. BRACKET, STD(ML\_PDT)



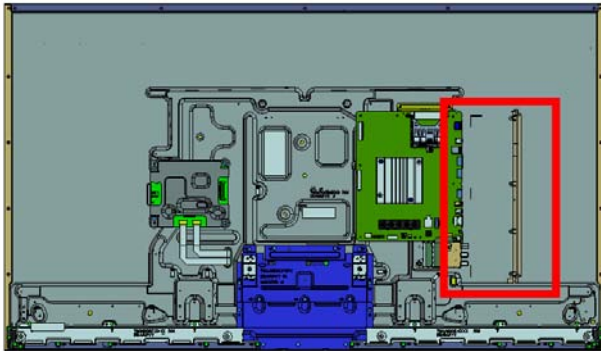
8 screws (SCREW, +PSW M3X6) P/N: 4-472-518-11



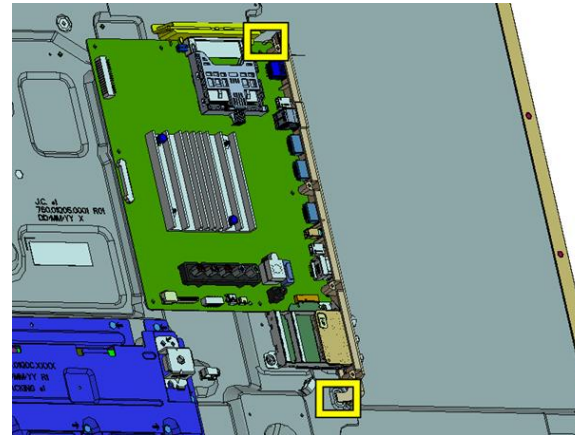


### 3. KD-49XD8005/8077/8088/8099, FW-49XD8001

#### 3-20. BRACKET, SIDE (PDT)



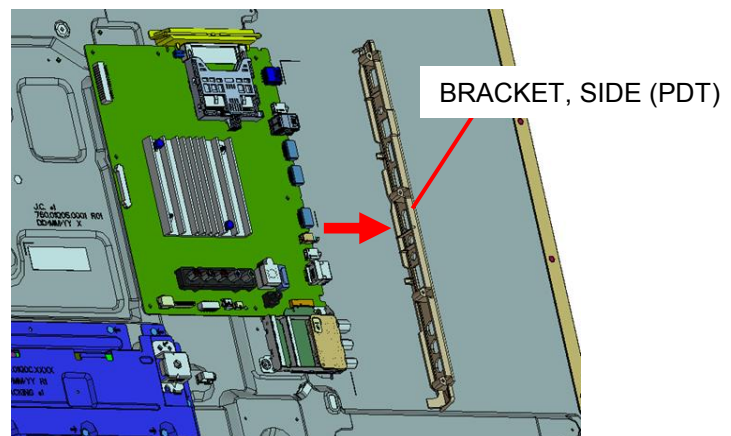
1



2

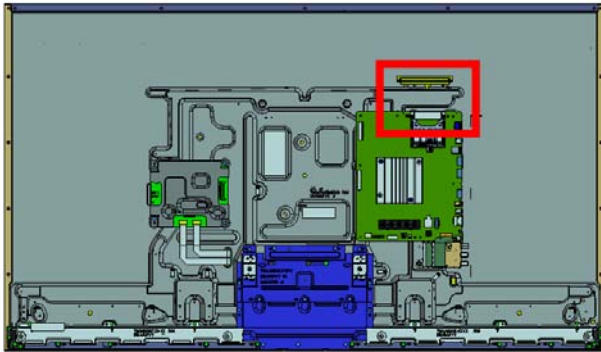


3

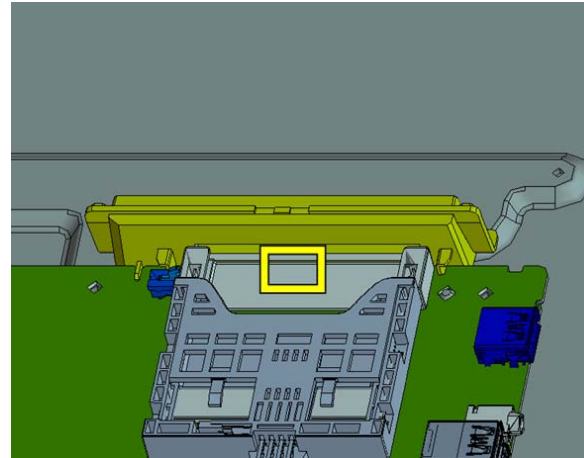


### 3. KD-49XD8005/8077/8088/8099, FW-49XD8001

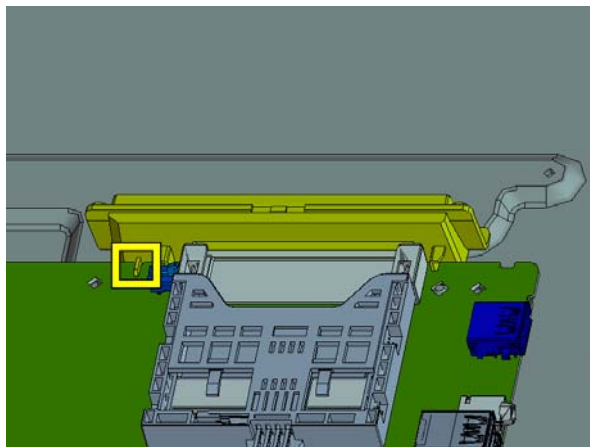
#### 3-21. BRACKET, TOP FL (MOLD)



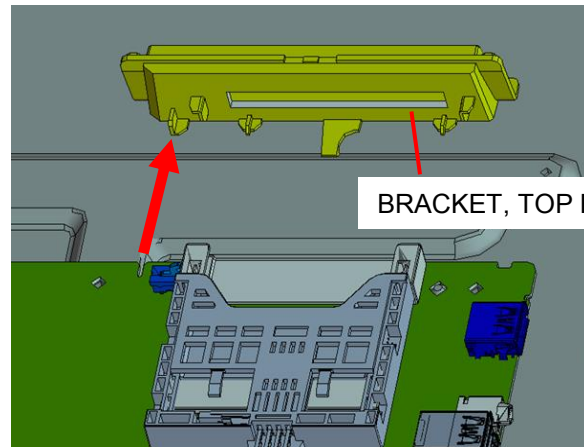
1



2



3

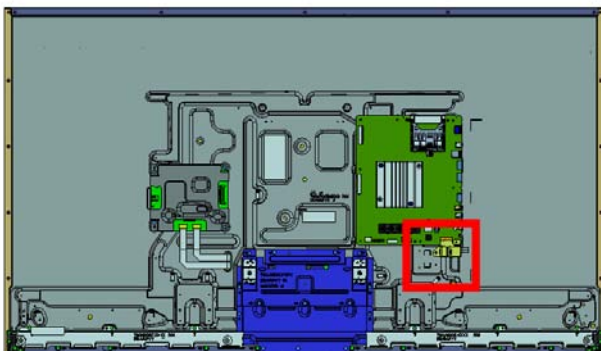


BRACKET, TOP FL (MOLD)

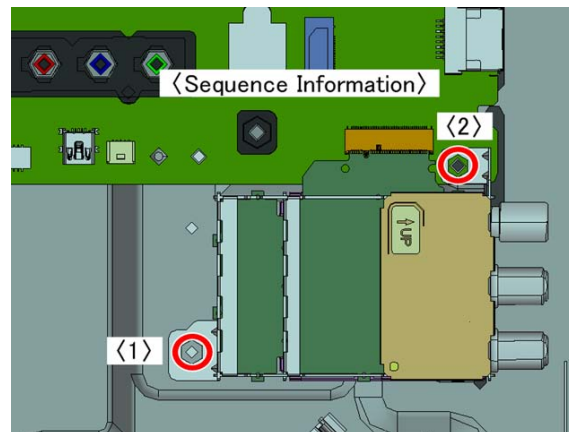
### 3. KD-49XD8005/8077/8088/8099, FW-49XD8001

#### 3-22. UNIVERSAL SIL-TU

\* Please refer to "APPENDIX-3" for details.

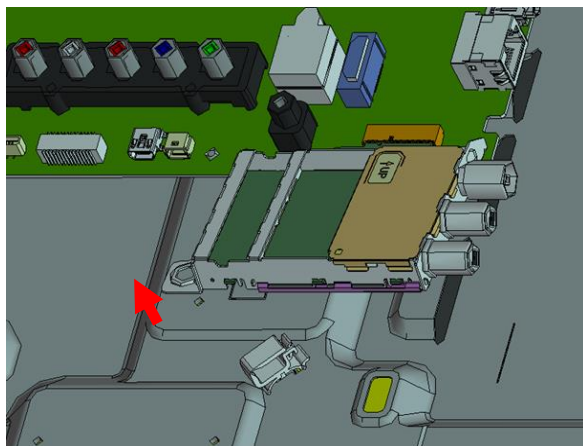


1

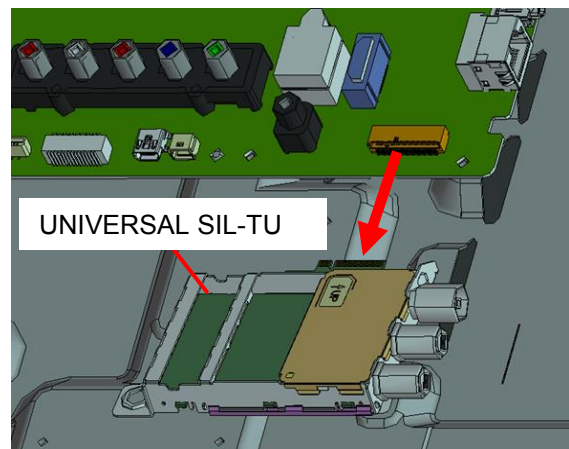


2 screws (SCREW, +PSW M3X6) P/N: 4-472-518-11

2

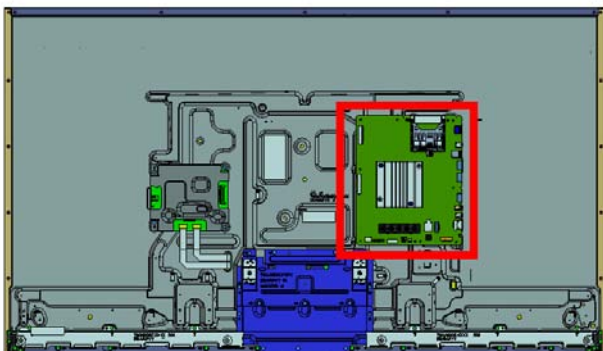


3

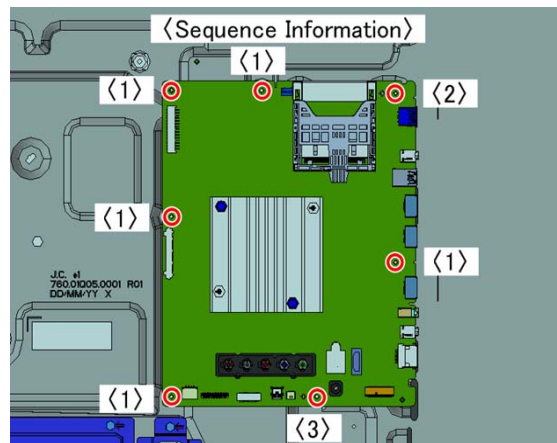


### 3. KD-49XD8005/8077/8088/8099, FW-49XD8001

#### 3-23. BFM



1

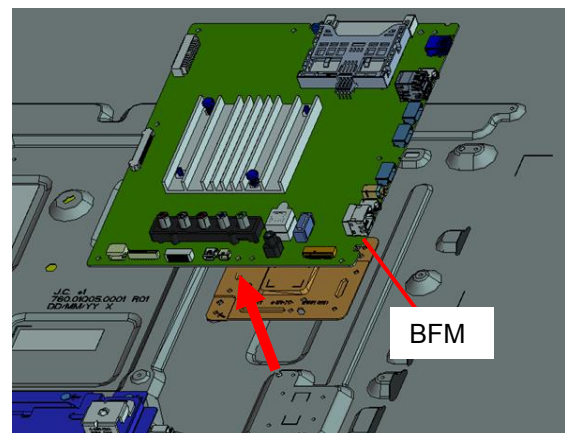


7 screws (SCREW, +PSW M3X6) P/N: 4-472-518-11

2

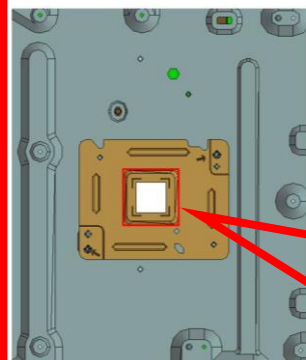
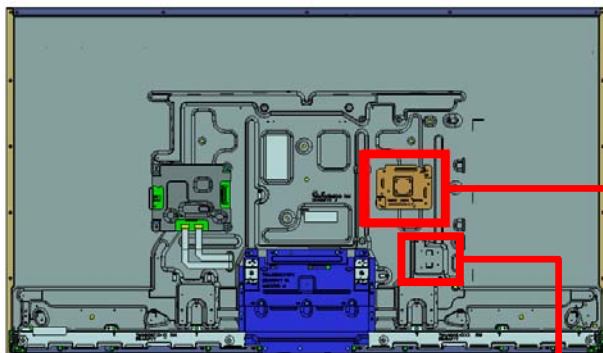


3

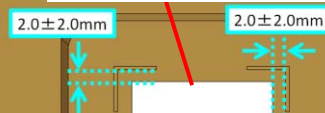


### 3. KD-49XD8005/8077/8088/8099, FW-49XD8001

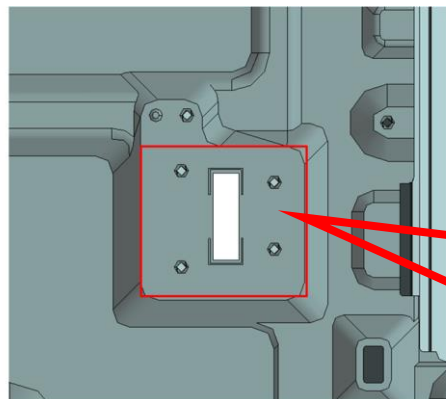
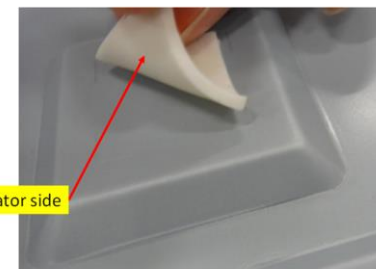
#### 3-24. SHEET, THERMAL(BM) AND SHEET, THERMAL (TU AEP)



SHEET, THERMAL(BM)  
P/N:4-549-186-01



Be careful the side of SHEET THERMAL.



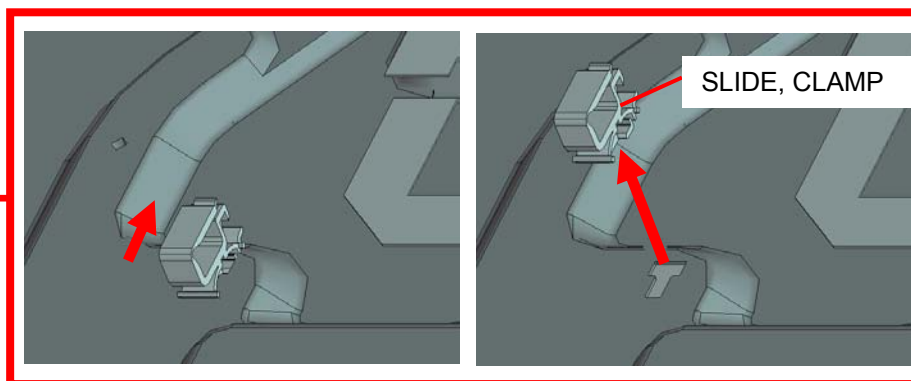
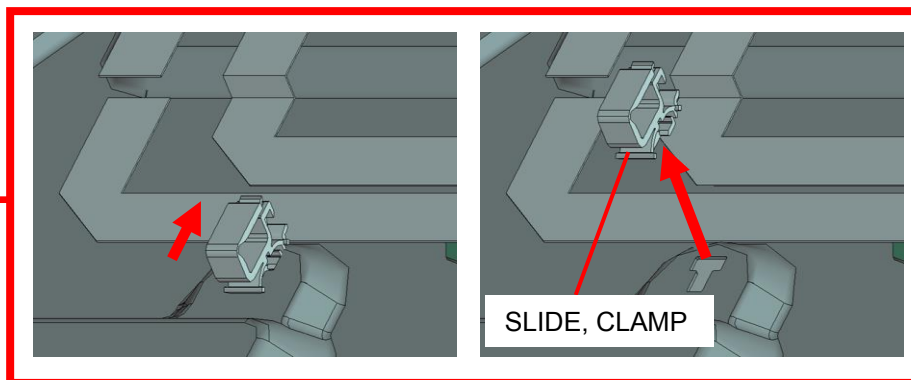
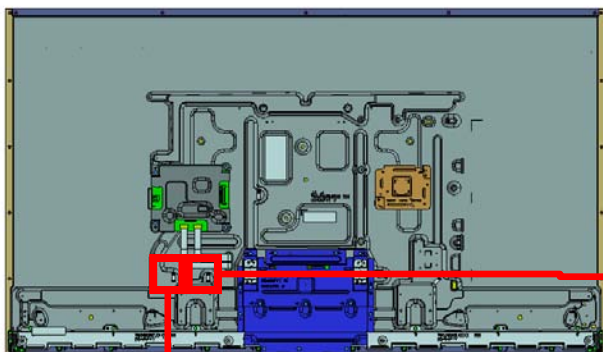
SHEET, THERMAL (TU AEP)  
P/N:4-584-121-01



Don't overlap on align marking

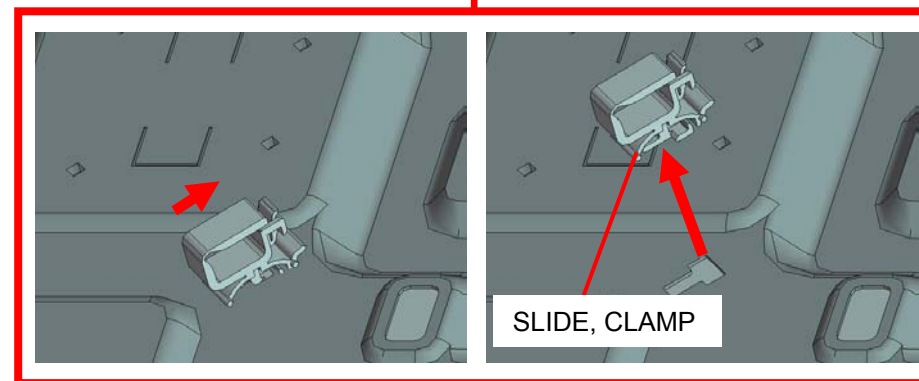
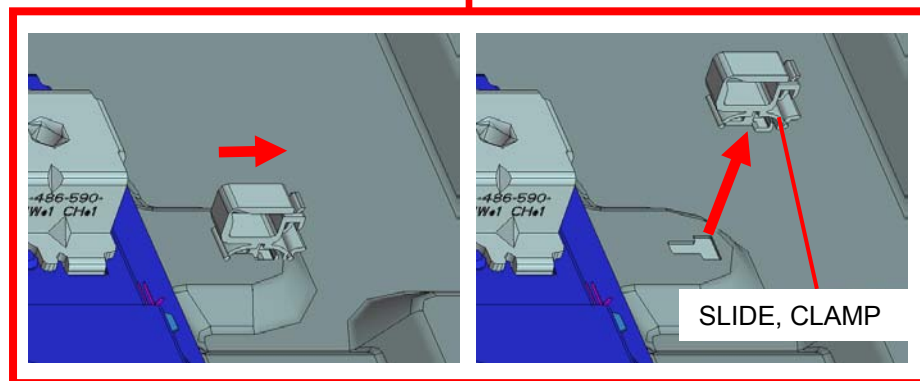
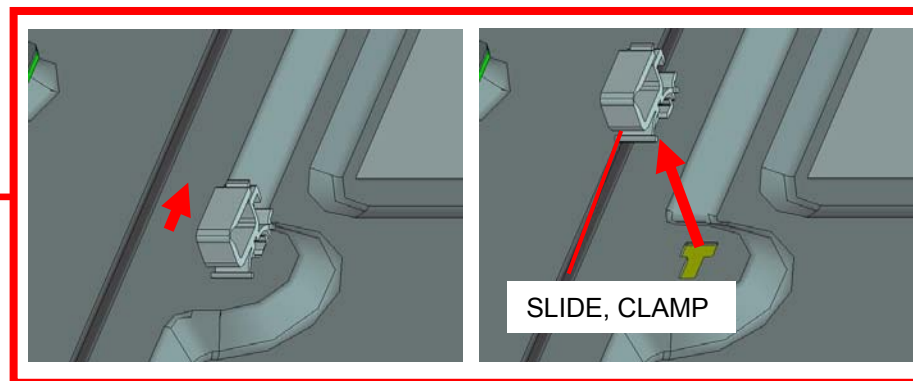
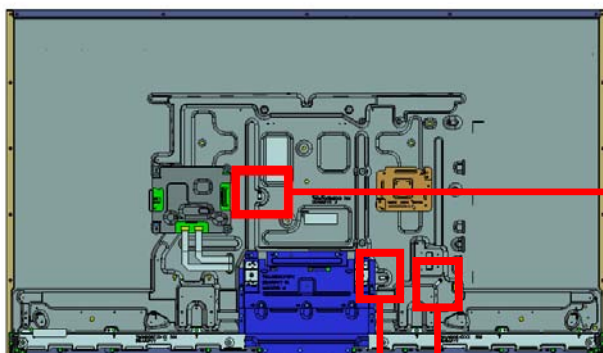
### 3. KD-49XD8005/8077/8088/8099, FW-49XD8001

#### 3-25. SLIDE, CLAMP



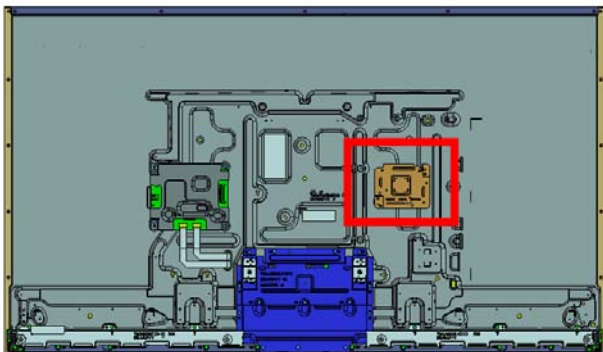
### 3. KD-49XD8005/8077/8088/8099, FW-49XD8001

#### 3-26. SLIDE, CLAMP

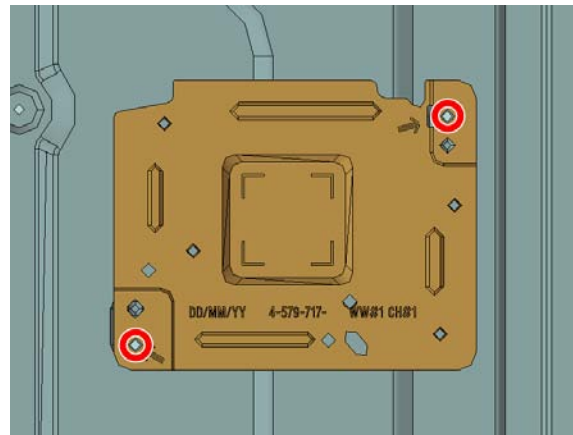


### 3. KD-49XD8005/8077/8088/8099, FW-49XD8001

#### 3-27. PLATE, MAIN S (PDT)

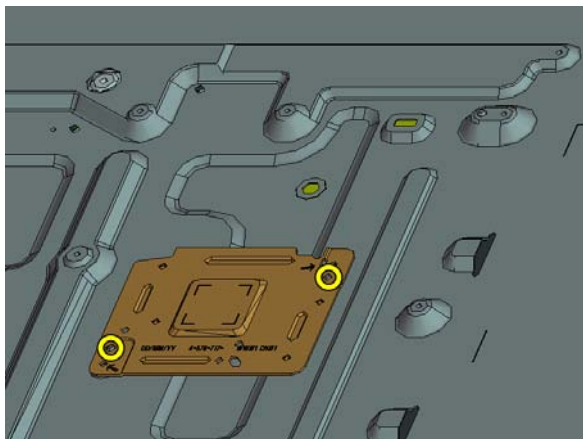


1

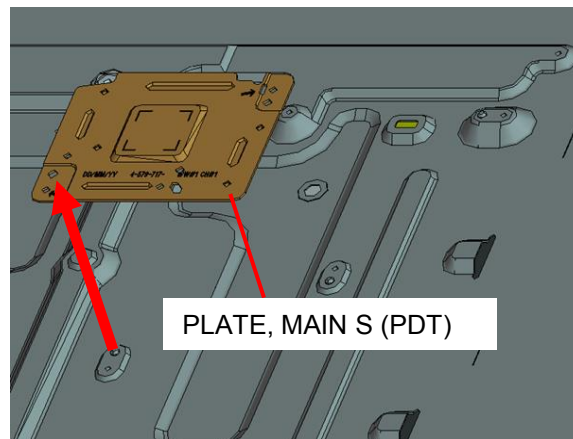


2 screws (SCREW, +PSW M3X6) P/N: 4-472-518-11

2



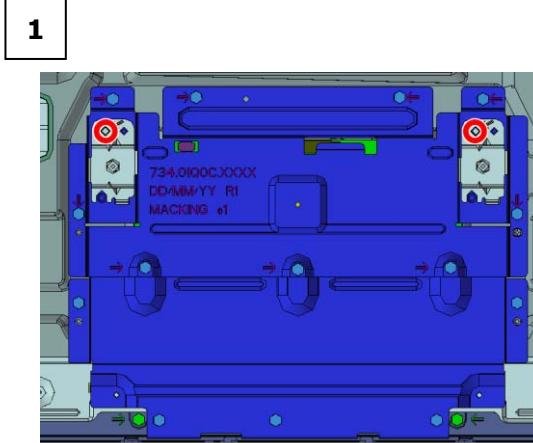
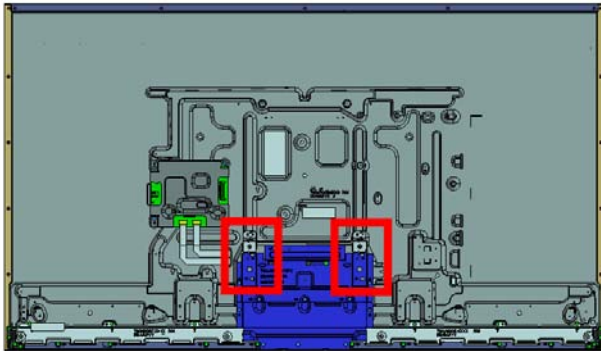
3



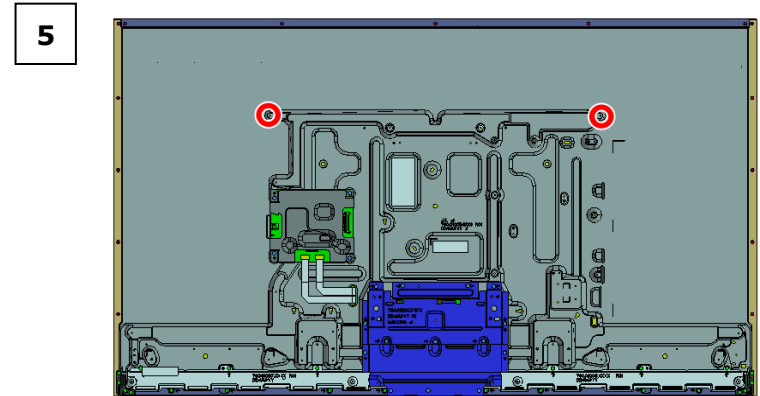
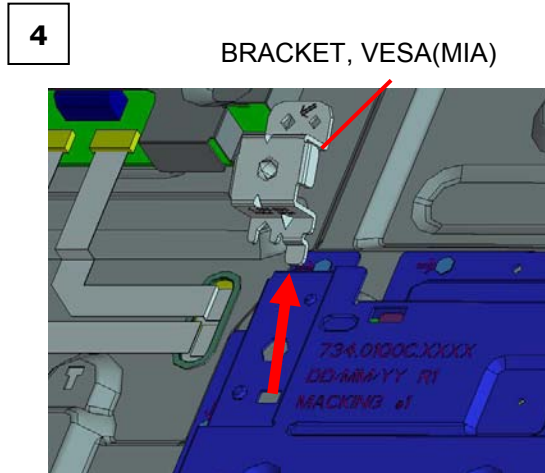
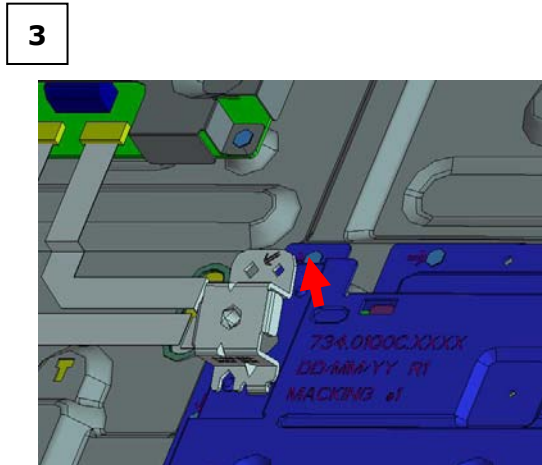


3. KD-49XD8005/8077/8088/8099, FW-49XD8001

3-28. BRACKET, VESA(MIA) AND SCREW



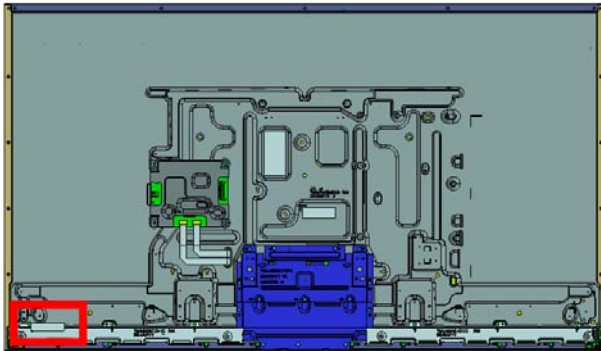
2 screws (SCREW, +PSW M4X10) P/N: 4-159-298-01



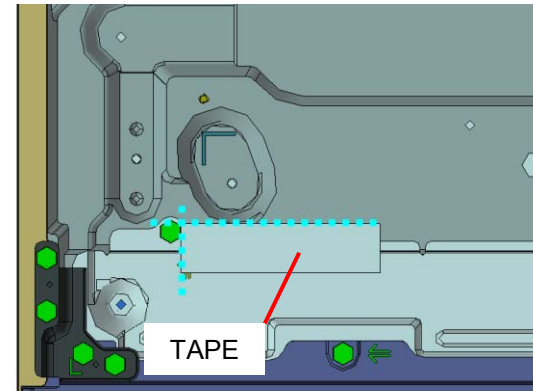
2 screws (SCREW M3X3.0 STEP) P/N: 4-579-926-01

### 3. KD-49XD8005/8077/8088/8099, FW-49XD8001

#### 3-29. TAPE AND LCD PANEL

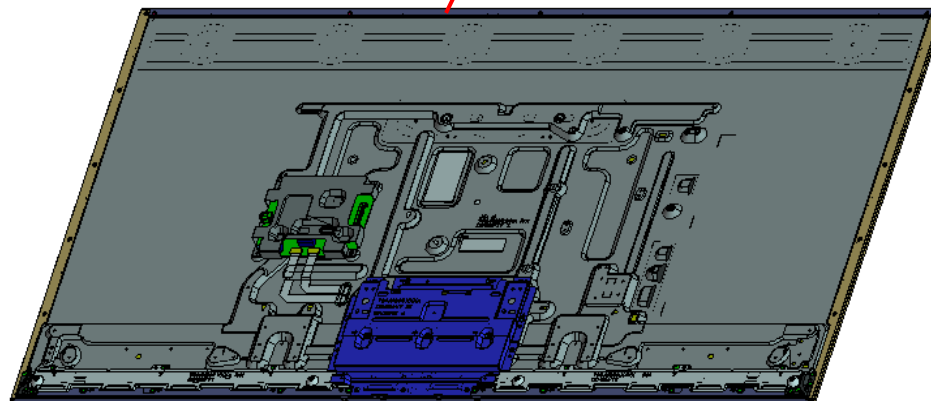


1



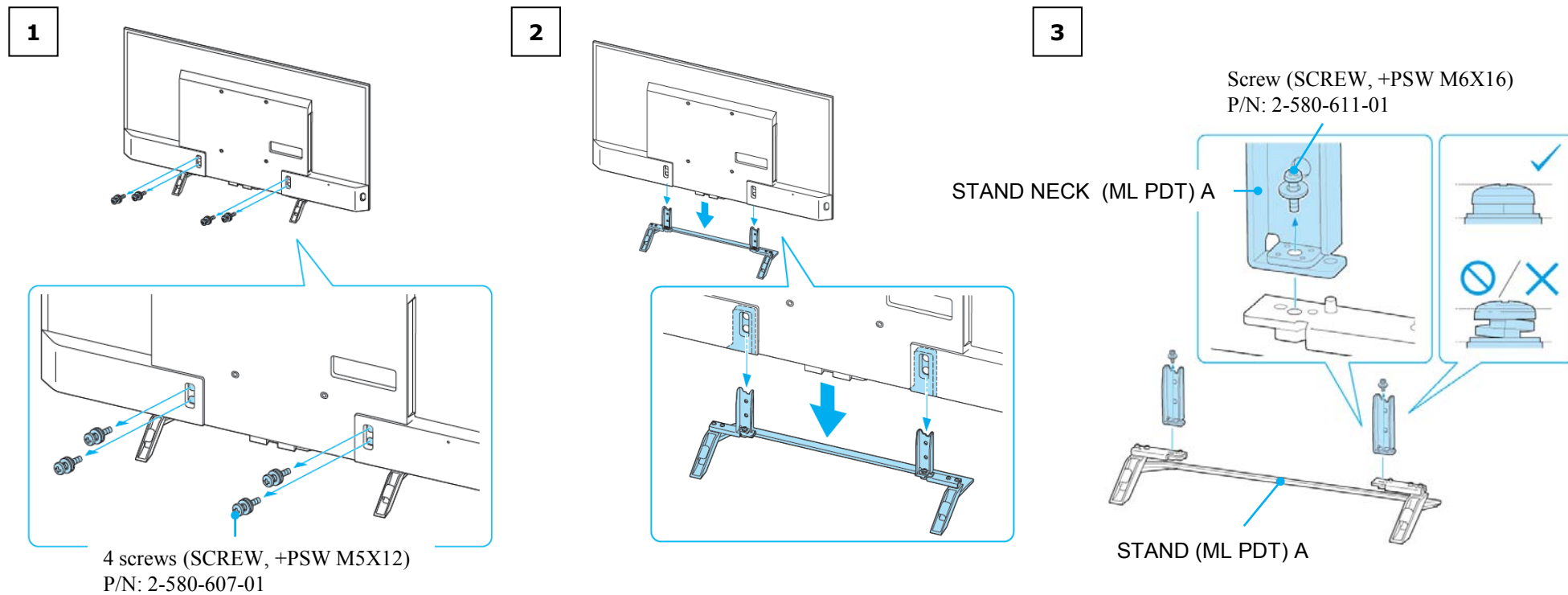
2

LCD PANEL



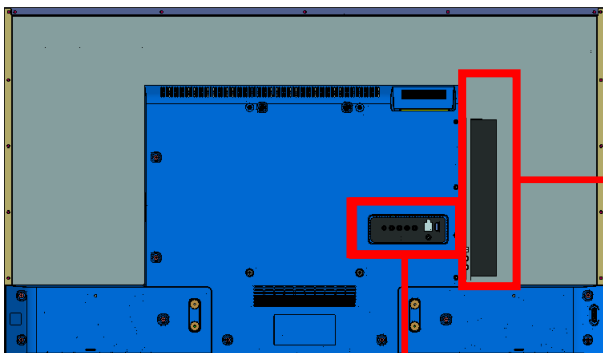
## 4. KD-49XD8305

### 4-1. STAND NECK (ML PDT) A AND STAND (ML PDT) A

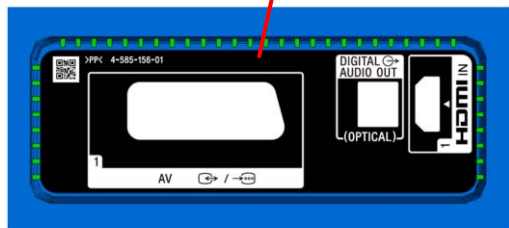


## 4. KD-49XD8305

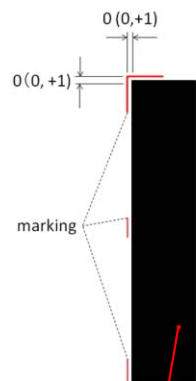
### 4-2. LABEL, REAR TERMINAL (PDT) AND LABEL, SIDE TERMINAL(PDT)



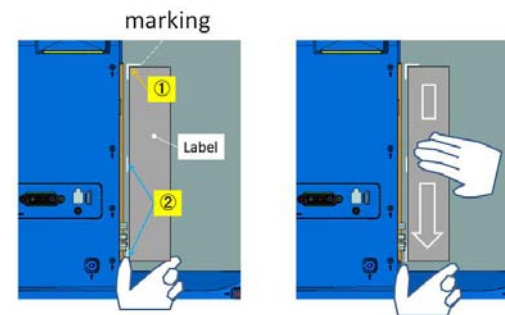
LABEL, REAR TERMINAL (PDT)



When you do panel replacement, please also replace this part at the same time to a new one.



LABEL, SIDE TERMINAL(PDT)



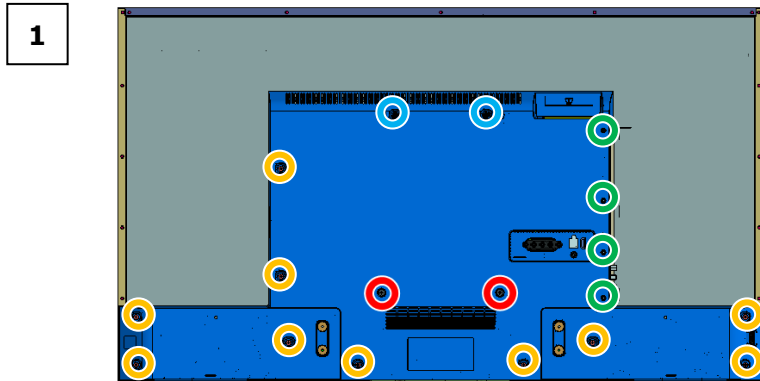
Align the label to the marking,  
① corner edge  
② left side line

To prevent bubbles from entering,  
Please stroked the label from the  
top side to bottom side.

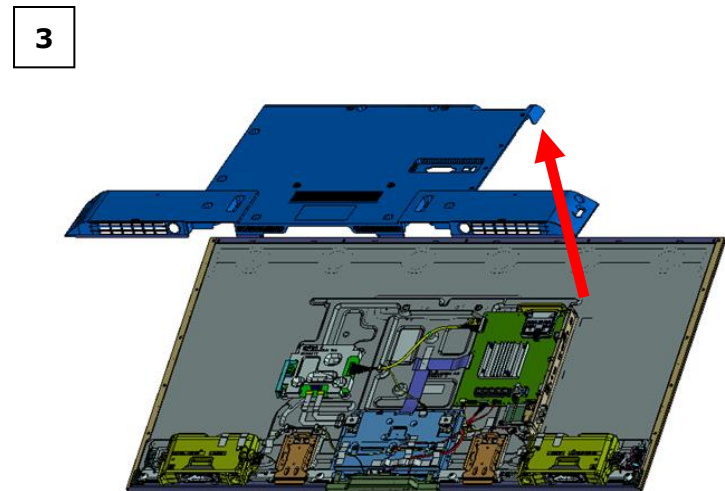
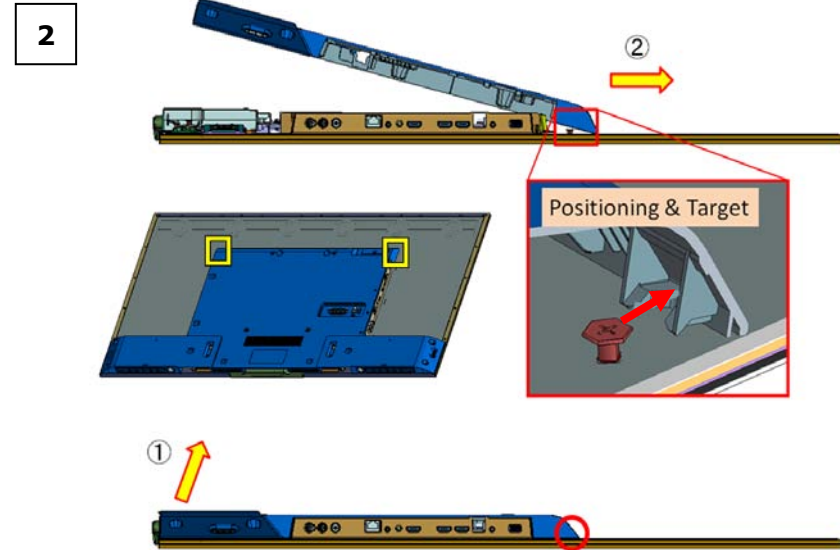
Caution: Don't damage to LABEL. Scratch, deform, dirty etc....

## 4. KD-49XD8305

### 4-3. REAR COVER (ML\_PDT) A AND BRACKET, VESA



- 2 screws (SCREW, ORNAMENTAL M6X12) P/N: 4-268-126-02
- 2 screws (SCREW, +PSW M4X10) P/N: 4-159-298-01
- 4 screws (SCREW +BVTP 3X10 TYPE2 IT-3) P/N: 7-685-647-79
- 10 screws (SCREW M3X3.0 STEP) P/N: 4-579-926-01

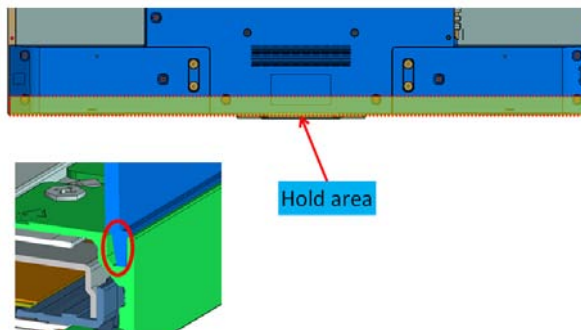


Don't hit R/C to BT ANTENNA.

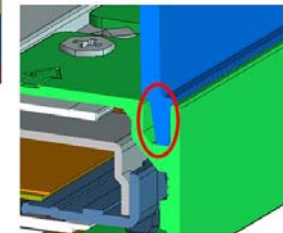
**NOTE:**

Hold R/C to not floating while screwing.

Ensure R/C is installed to slit of panel.

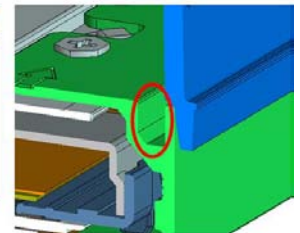


**OK**



Bottom

**NG**

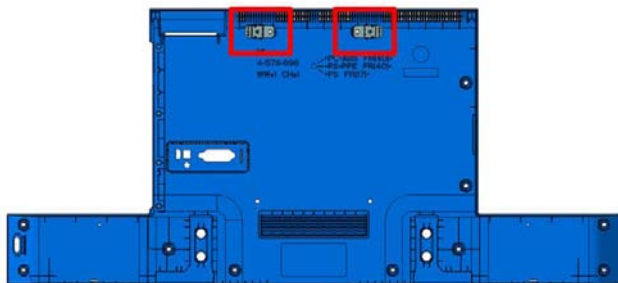


Bottom

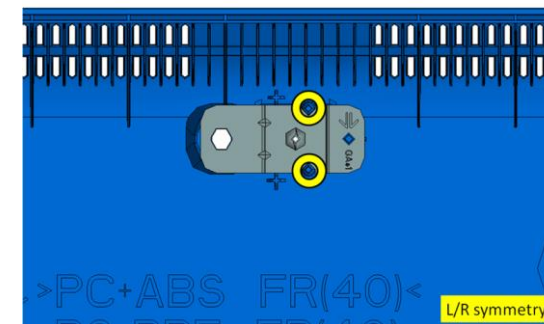
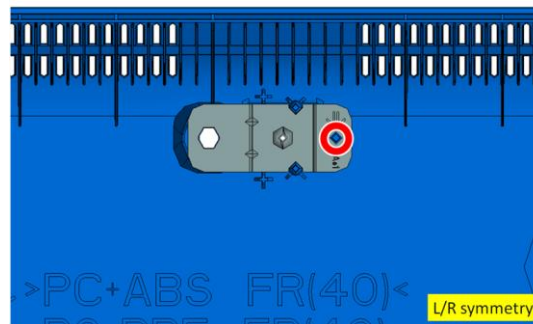
## 4. KD-49XD8305

### 4-3. REAR COVER (ML\_PDT) A AND BRACKET, VESA

4

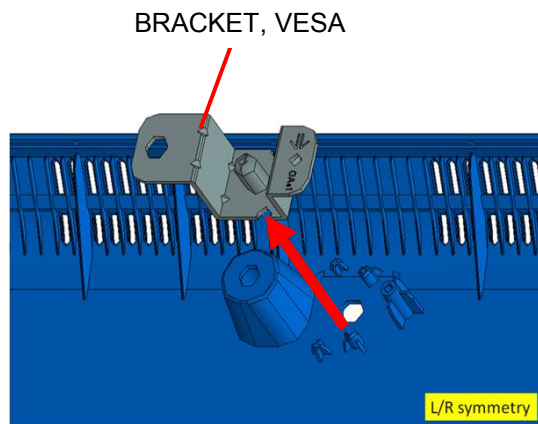


5

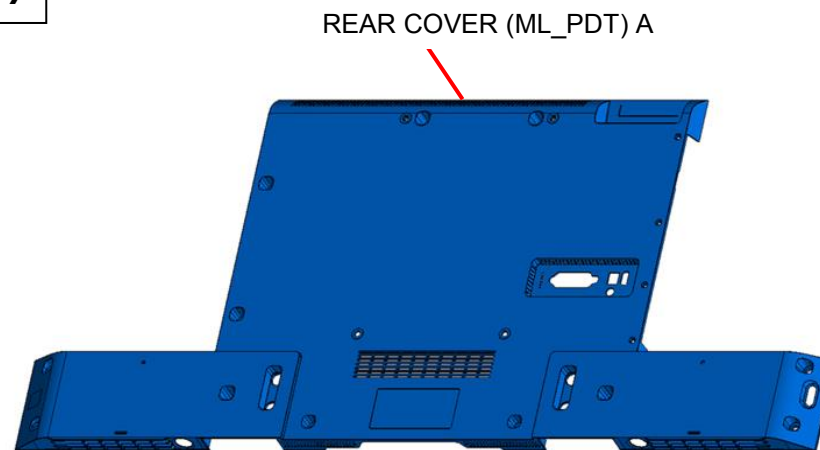


○ Screw (SCREW +BVTP 3X8 TYPE2 IT-3) P/N: 7-685-646-79

6

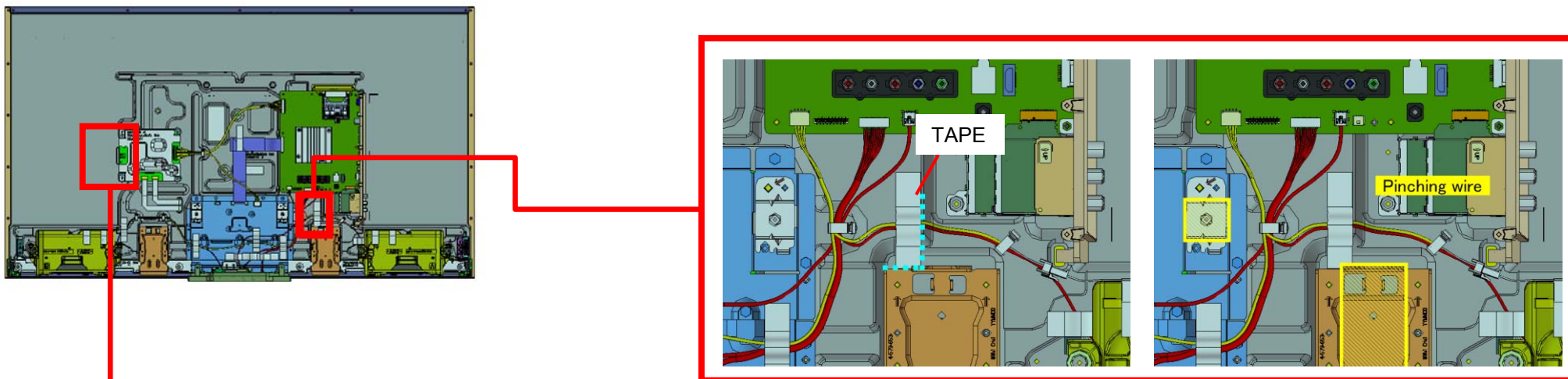


7

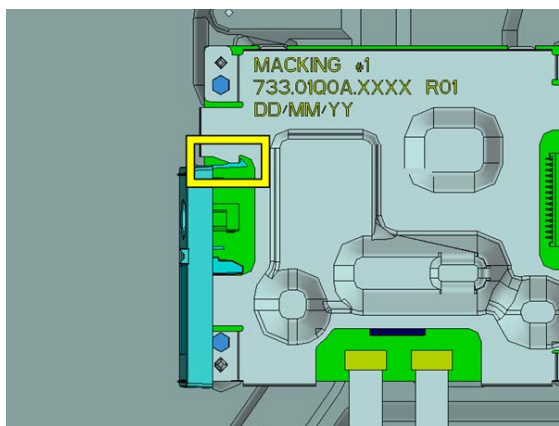


### 4. KD-49XD8305

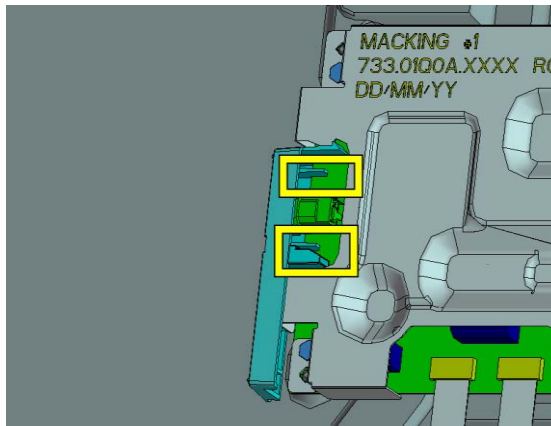
#### 4-4. BRACKET, DC JACK (PDT) AND TAPE



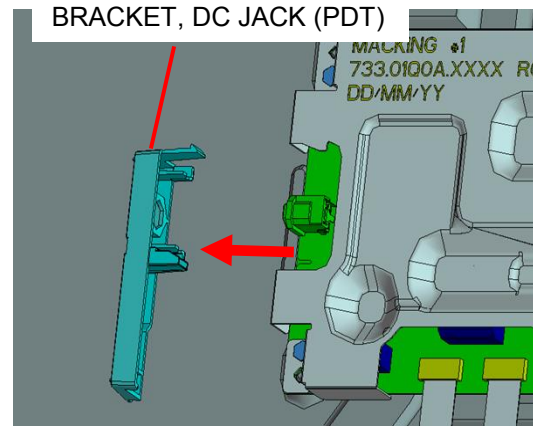
1



2

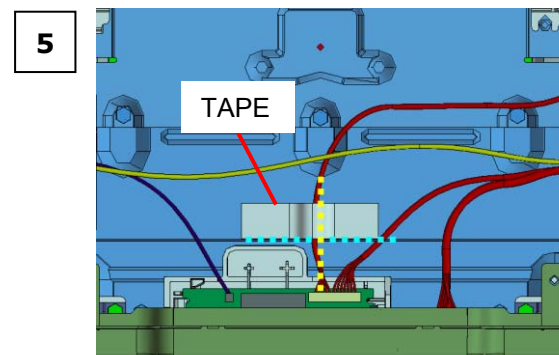
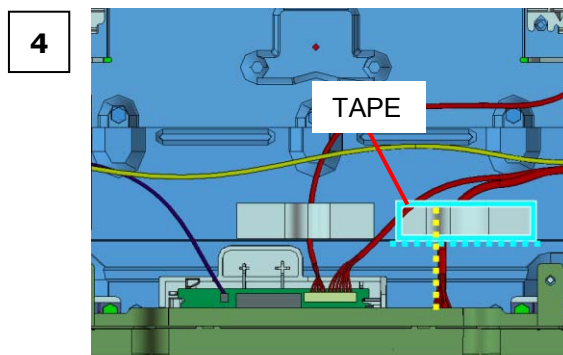
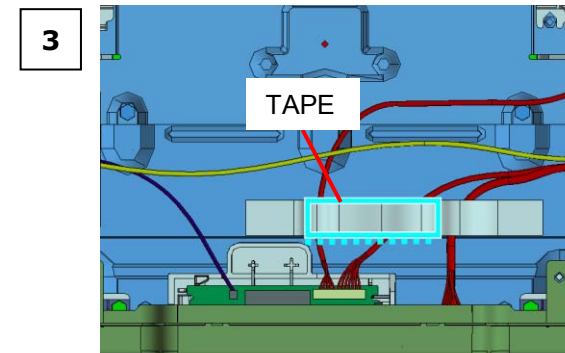
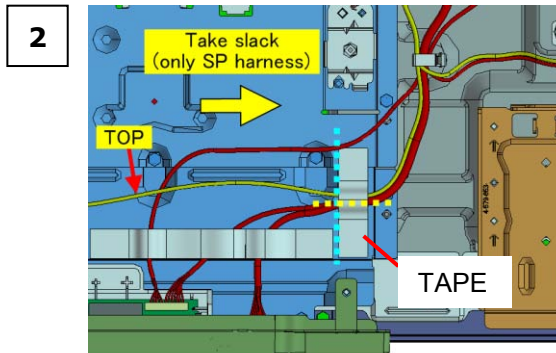
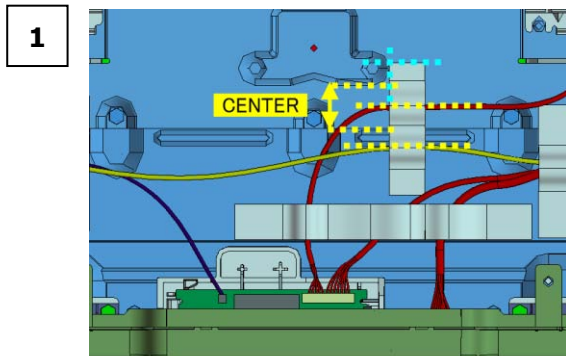
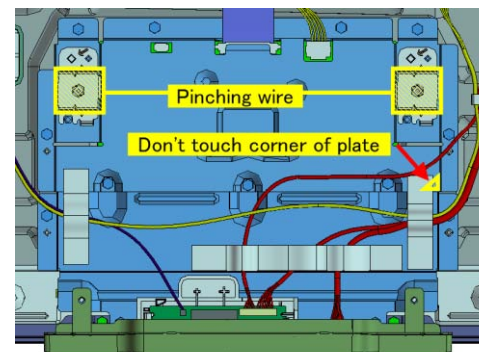
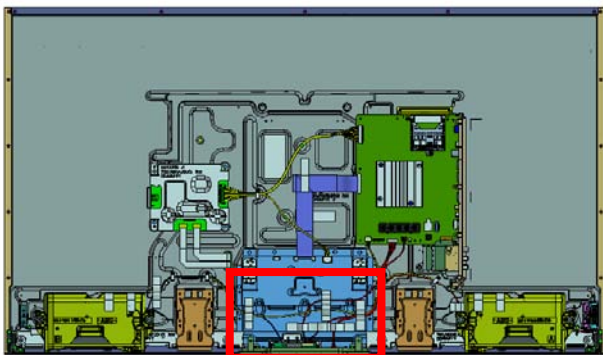


3



## 4. KD-49XD8305

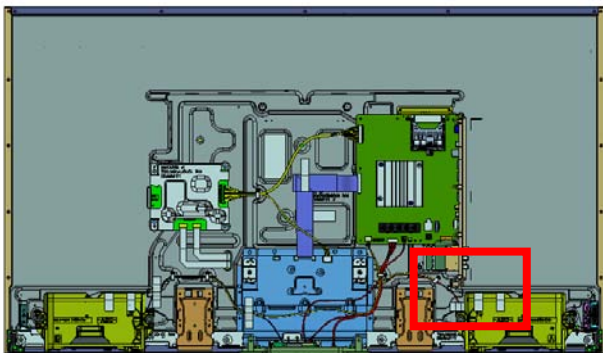
### 4-5. TAPE



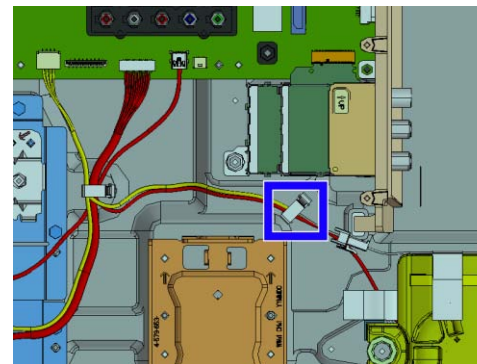


## 4. KD-49XD8305

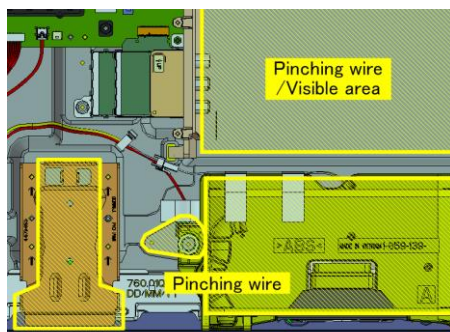
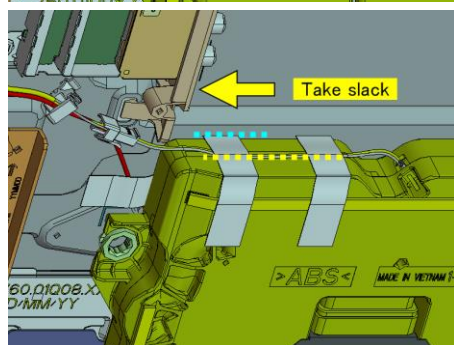
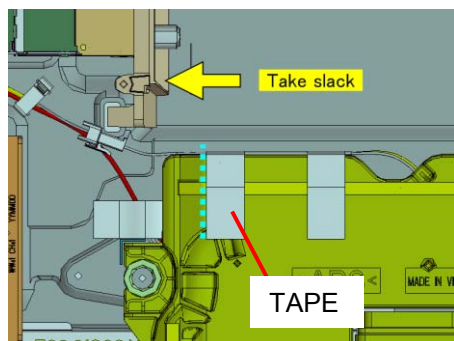
### 4-6. WIRE DRESSING AND TAPE



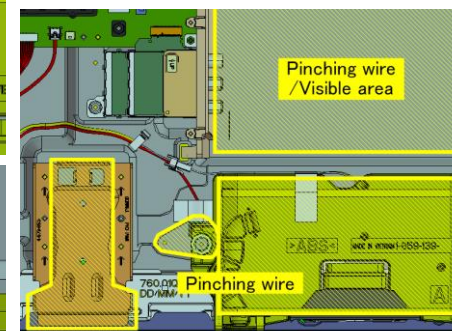
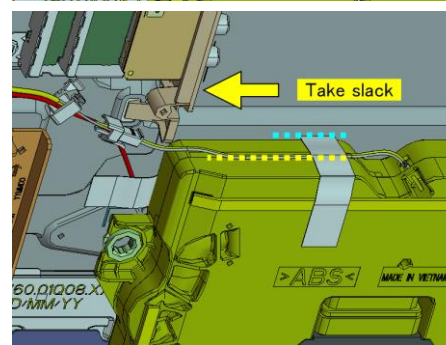
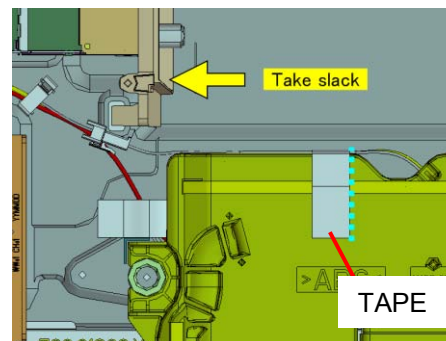
1



2

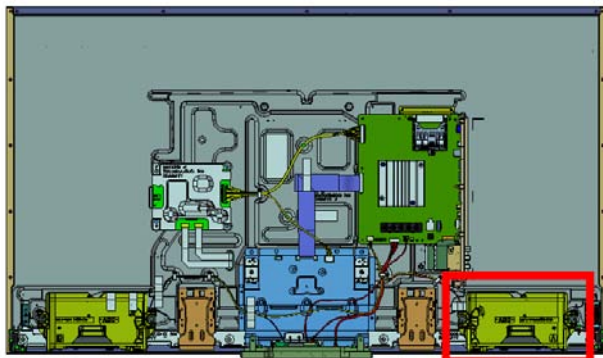


3

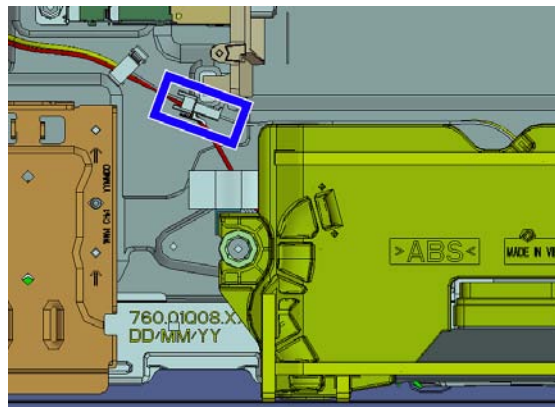


### 4. KD-49XD8305

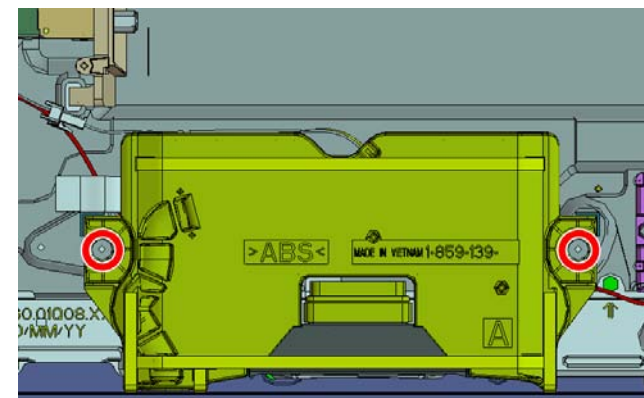
#### 4-7. SP-BOX ASSY, W25(S)-EA



1

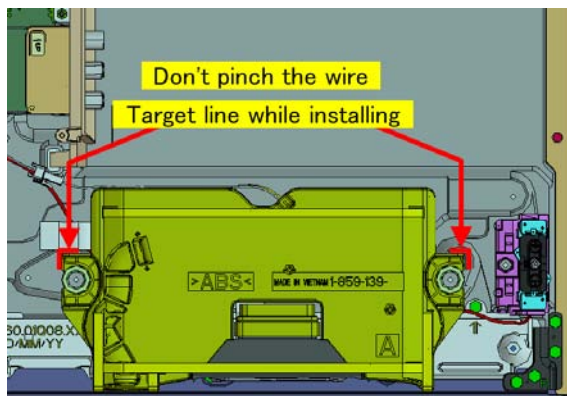


2

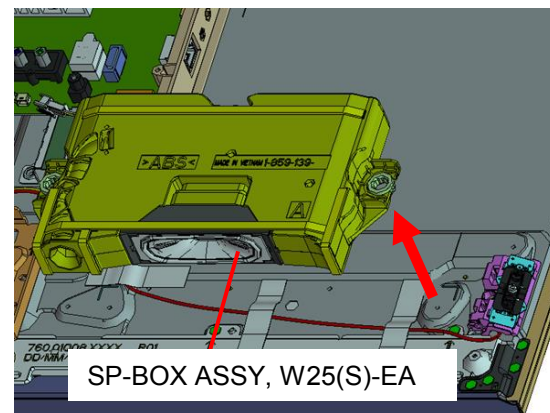


2 screws (PULLEY, SP (PDT)) P/N: 4-579-924-01

3

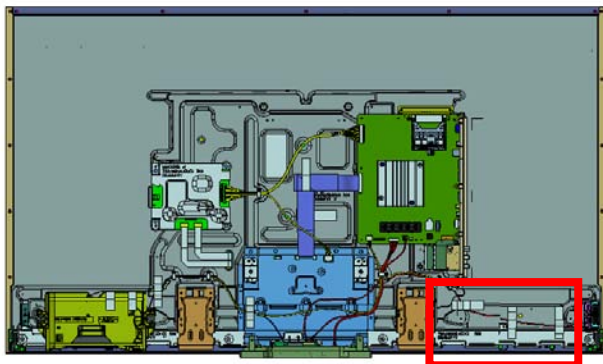


4

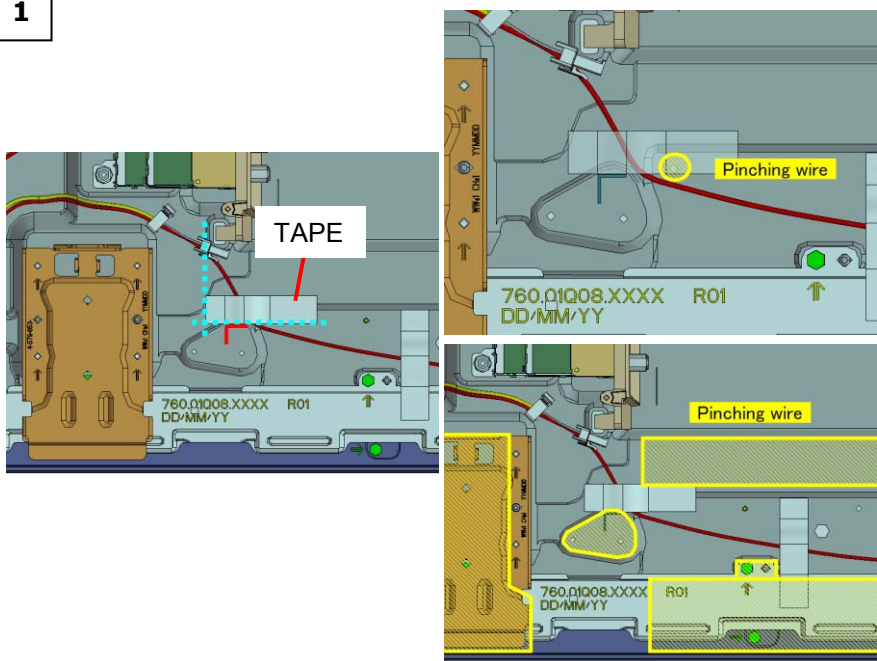


## 4. KD-49XD8305

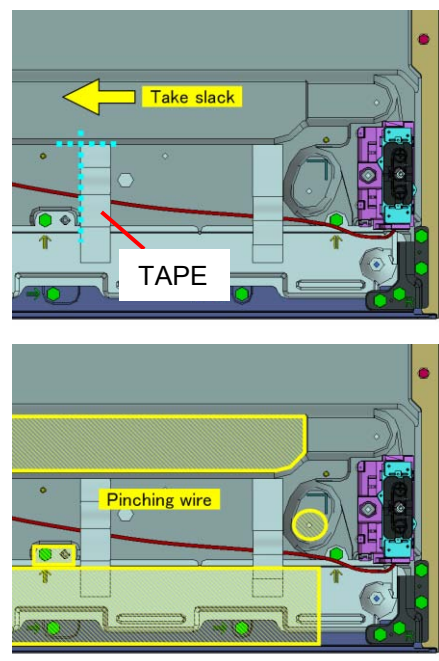
### 4-8. TAPE



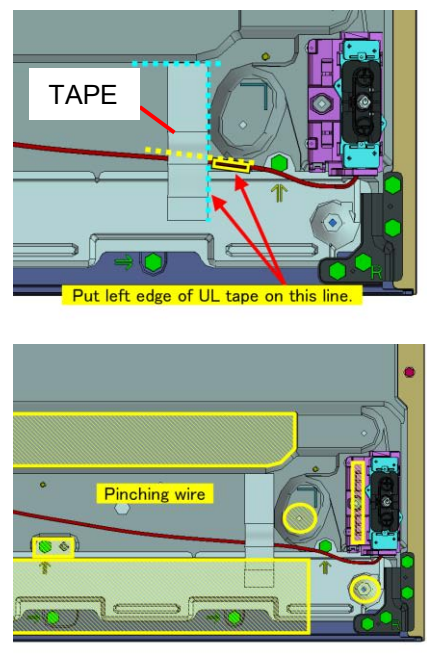
1



2

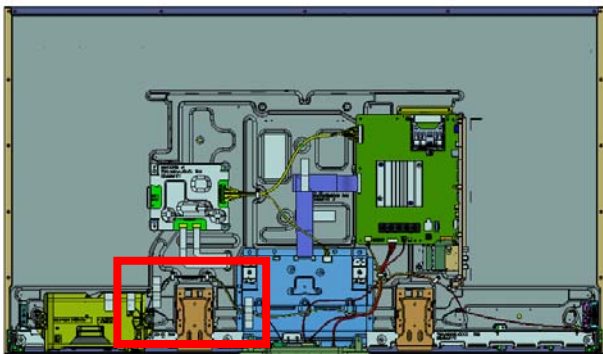


3

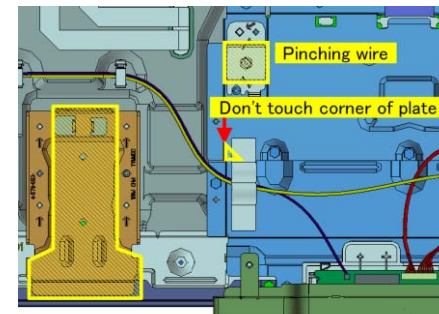
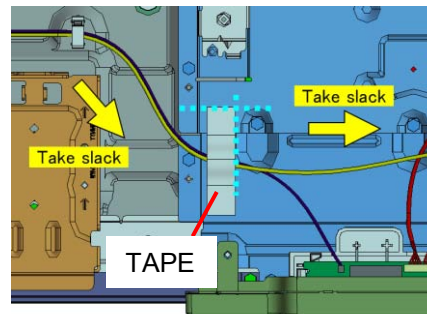


## 4. KD-49XD8305

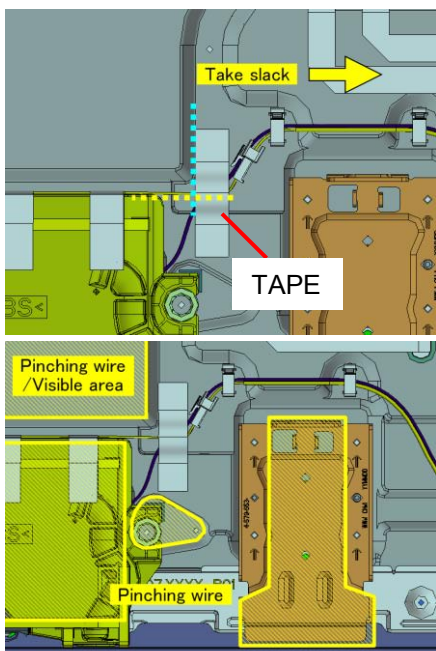
### 4-9. TAPE



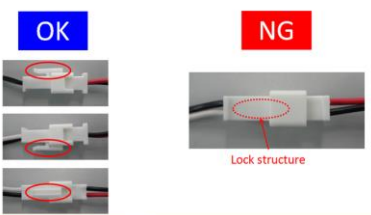
1



2

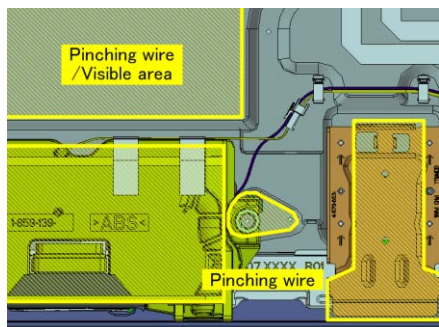
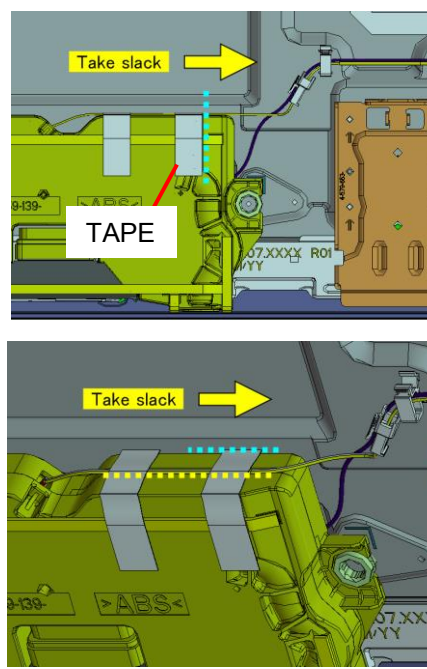


SP relay connector direction



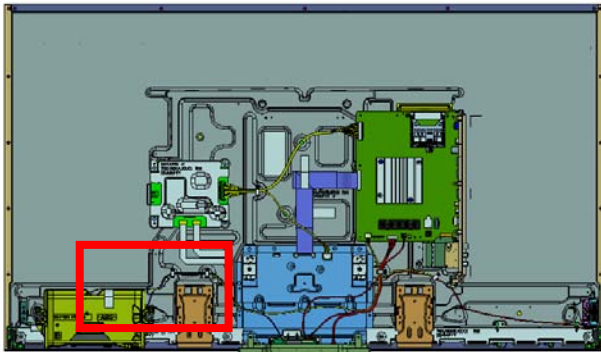
Lock structure face except NG direction. Lock structure face Back Chassis side.

3

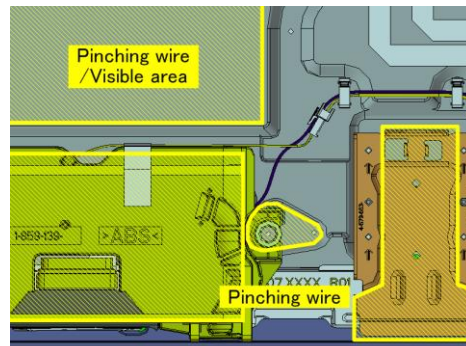
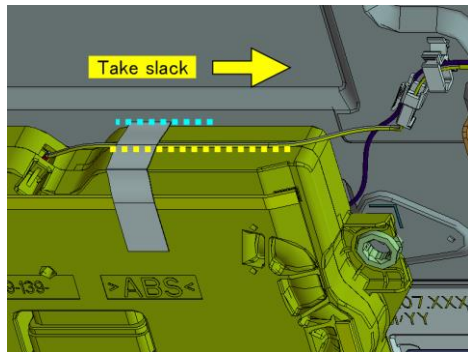
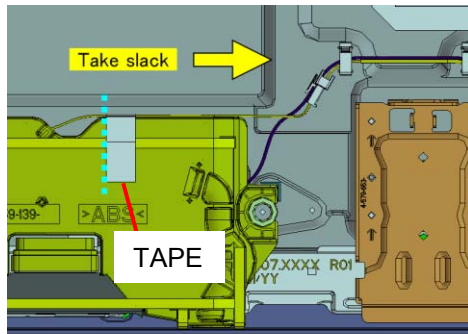


## 4. KD-49XD8305

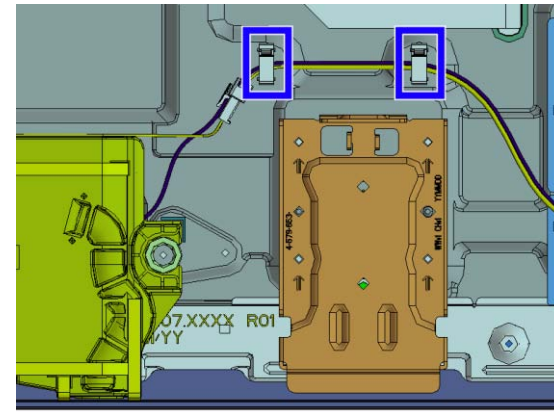
### 4-10. TAPE AND WIRE DRESSING



1

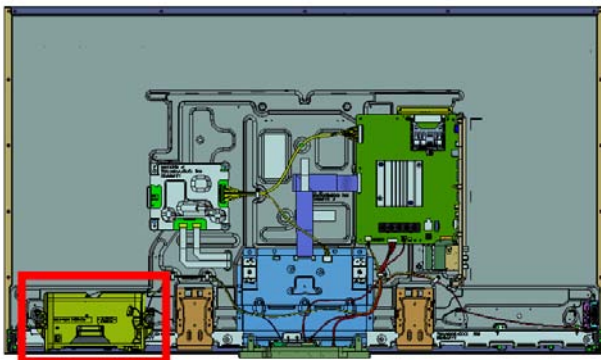


2

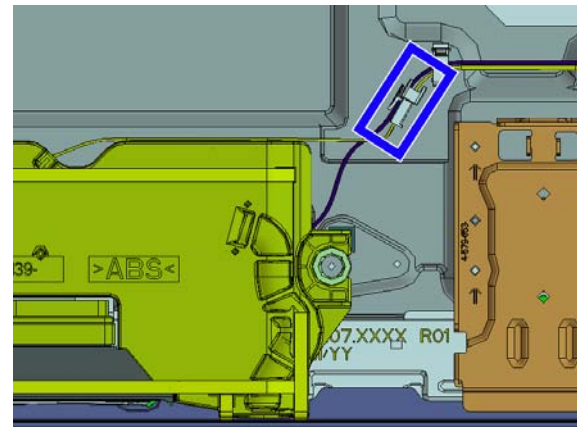


## 4. KD-49XD8305

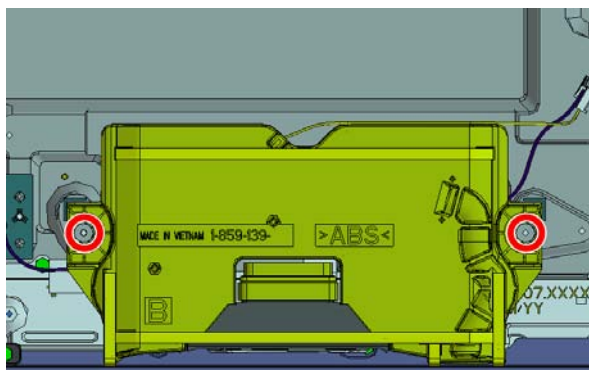
### 4-11. SP-BOX ASSY, W25(S)-EB



1

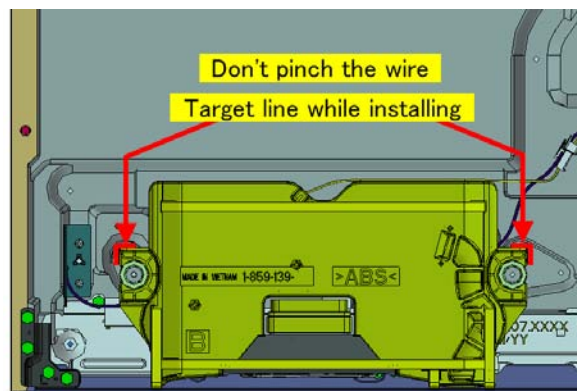


2

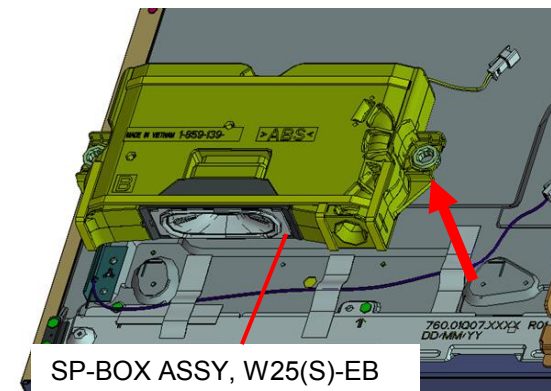


2 screws (PULLEY, SP(PDT)) P/N: 4-579-924-01

3

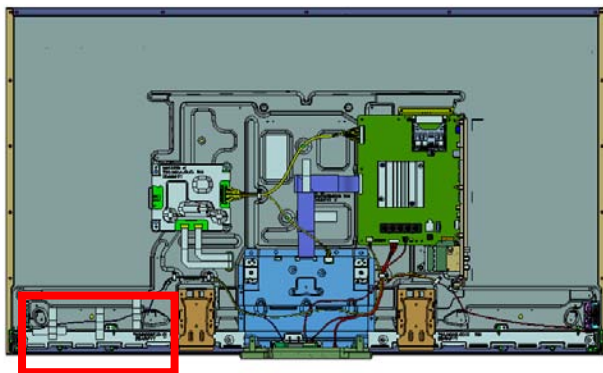


4

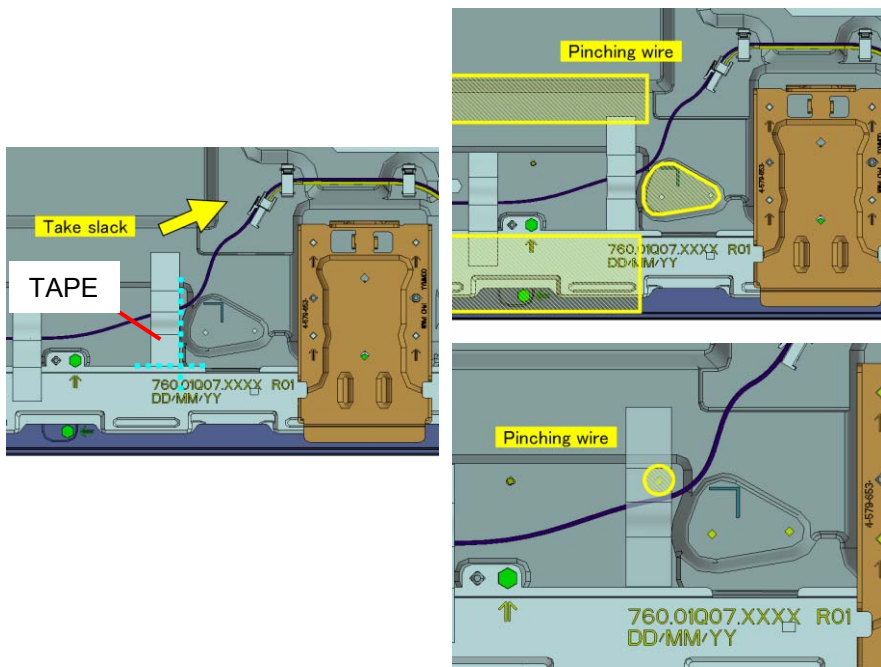


## 4. KD-49XD8305

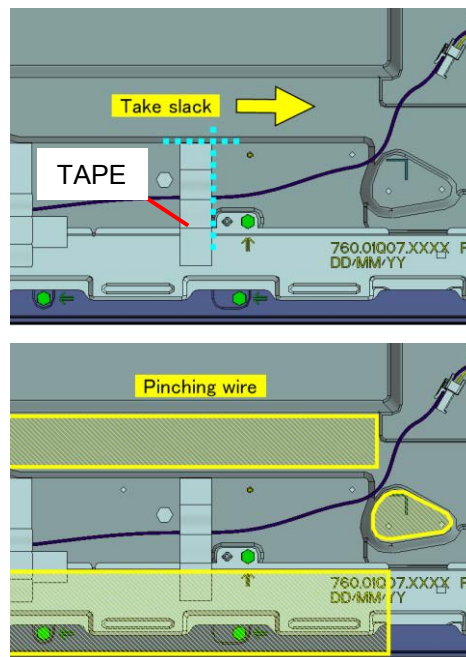
### 4-12. TAPE



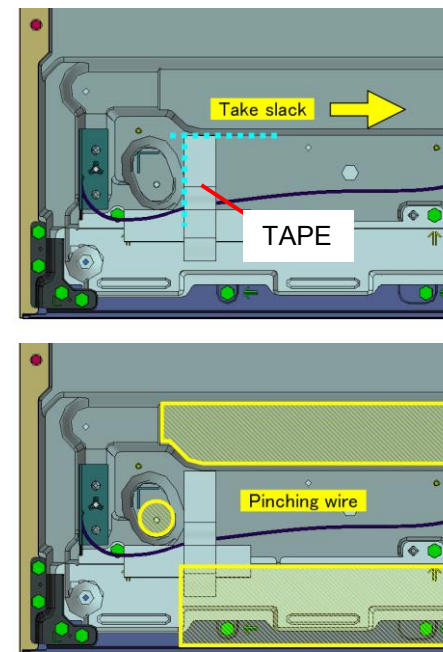
1



2

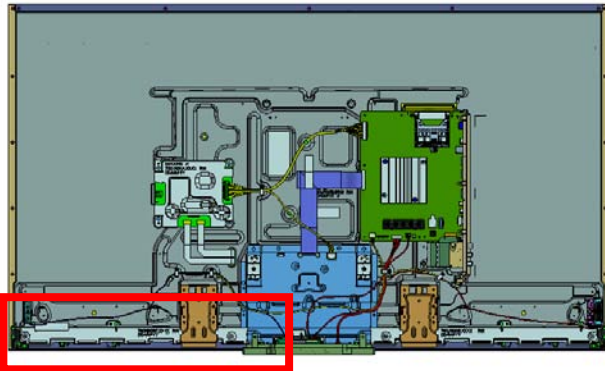


3

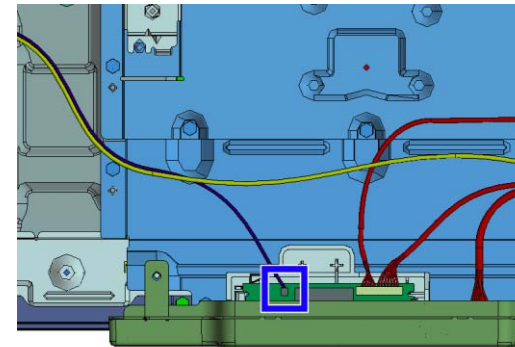


## 4. KD-49XD8305

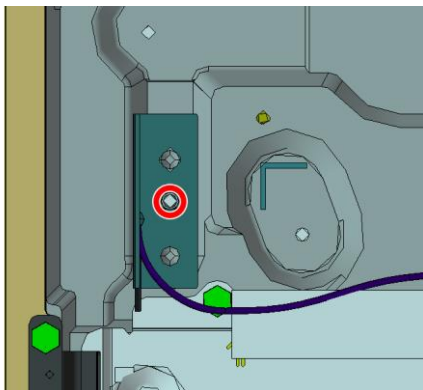
### 4-13. BT ANTENNA



1

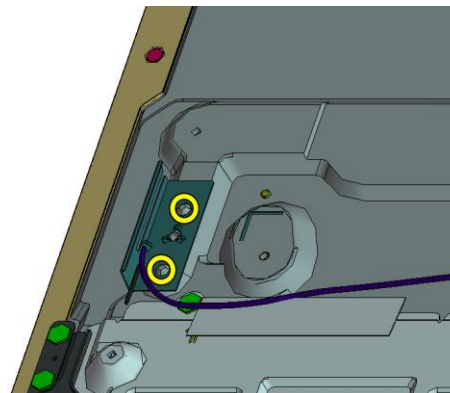


2

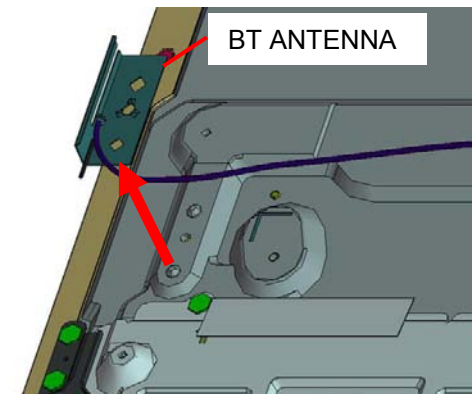


○ Screw (SCREW, +PSW M3X6) P/N: 4-472-518-11

3



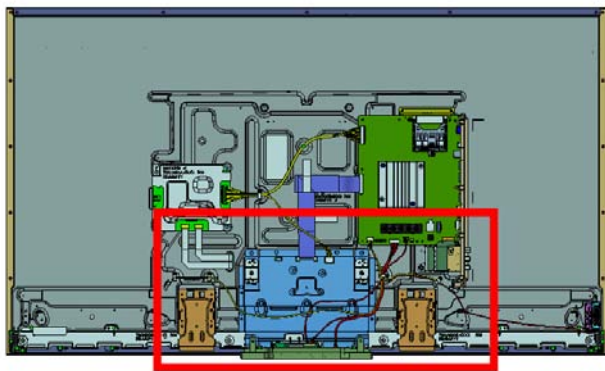
4



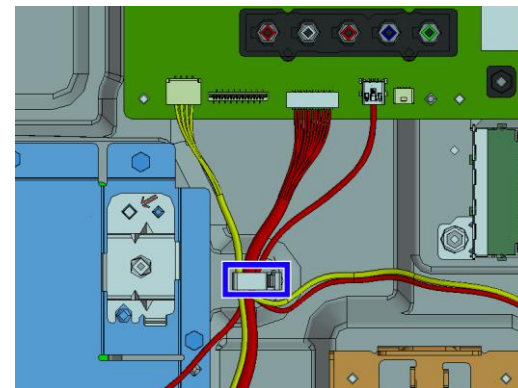


## 4. KD-49XD8305

### 4-14. WIRE DRESSING AND CONNECTOR ASSY 4P

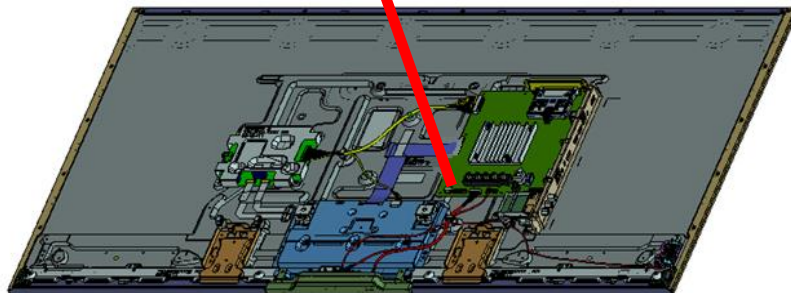
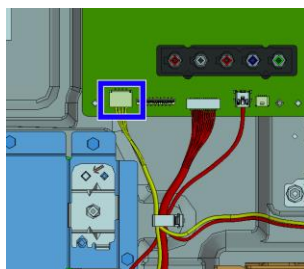


1

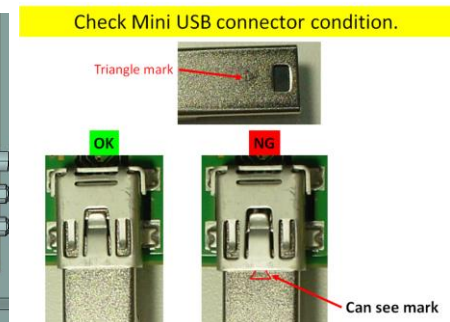
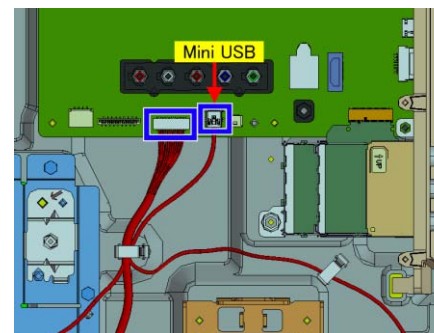


2

CONNECTOR ASSY 4P  
P/N: 1-910-110-96

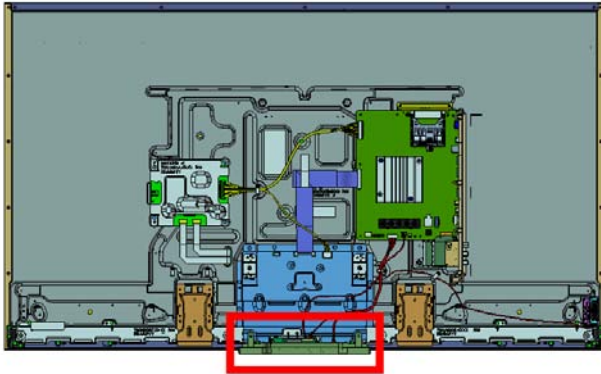


3



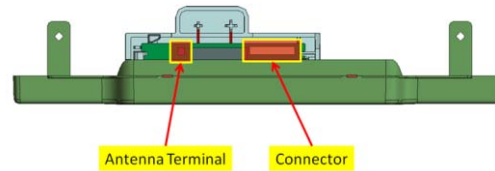
## 4. KD-49XD8305

### 4-15. SMART CORE (S)

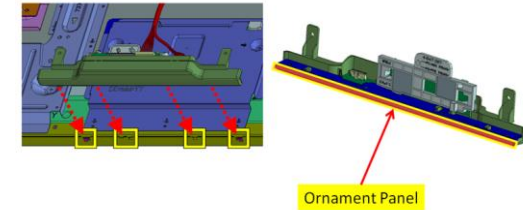


**NOTE:**

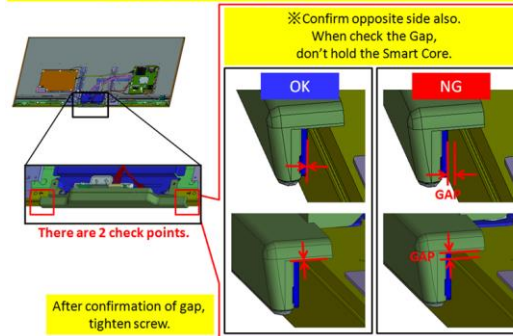
Don't touch these components while installing.



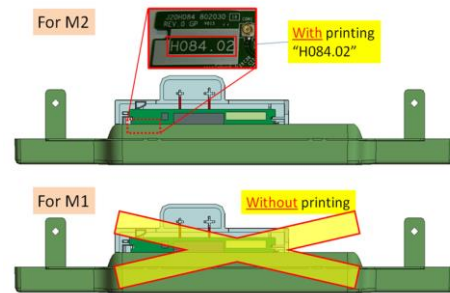
Don't scratch O/P with Bezel while installing.



Confirm Smart Core is assembled properly before tightening screw of Smart Core.

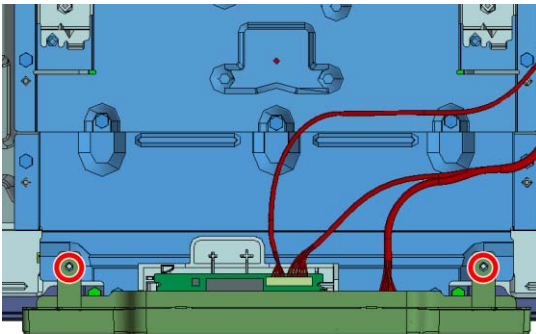


How to distinguish SC for M1 and M2



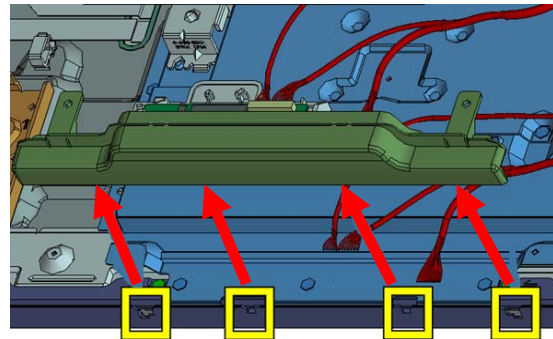
For This Model

1

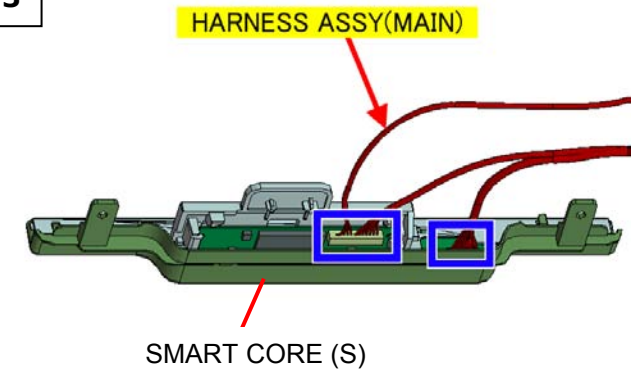


2 screws (SCREW, +PSW M3X6) P/N: 4-472-518-11

2

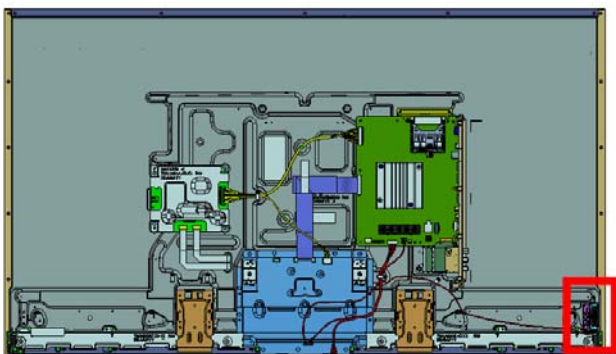


3

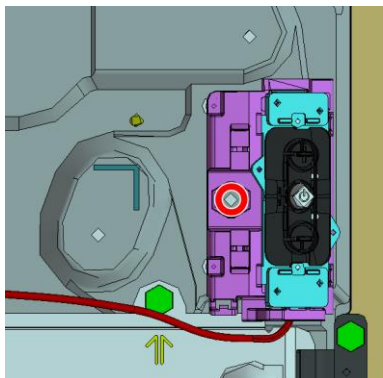


### 4. KD-49XD8305

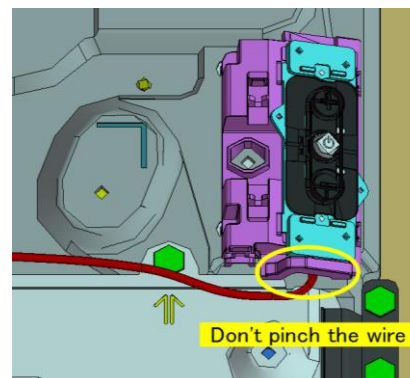
#### 4-16. HOLDER SIDE SW(PDT) AND SWITCH UNIT (3M-P)



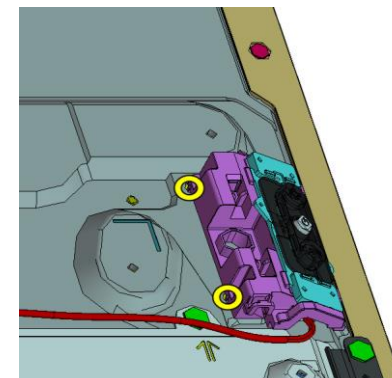
1



2

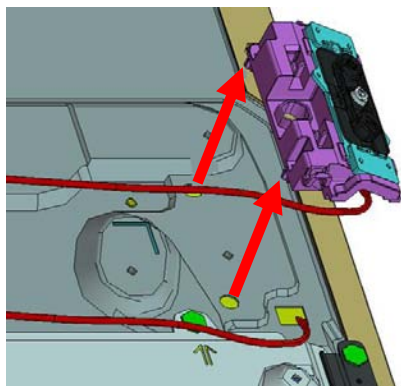


3

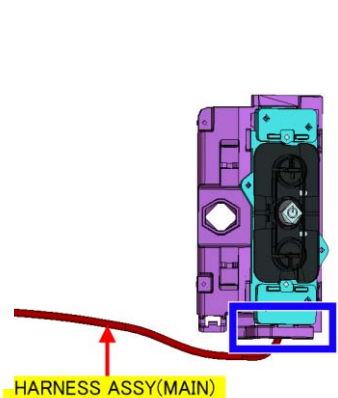


○ Screw (SCREW M3X3.0 STEP) P/N: 4-579-926-01

4



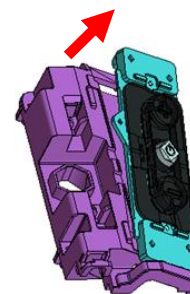
5



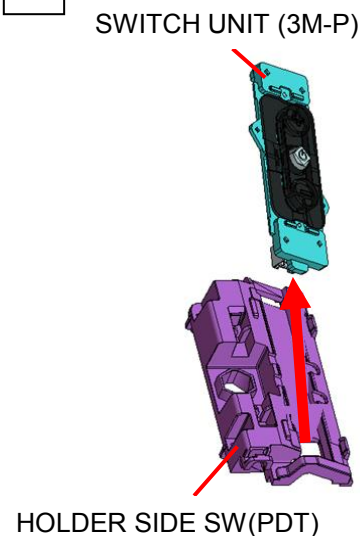
6



7

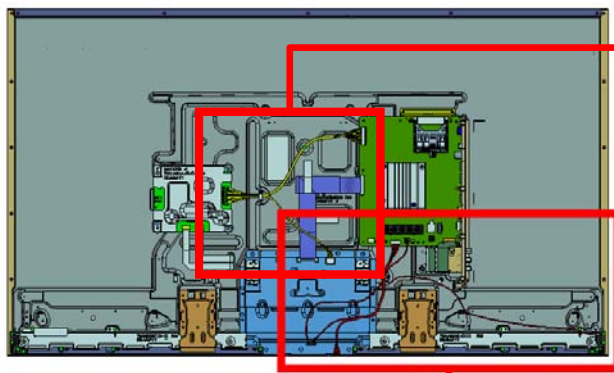


8

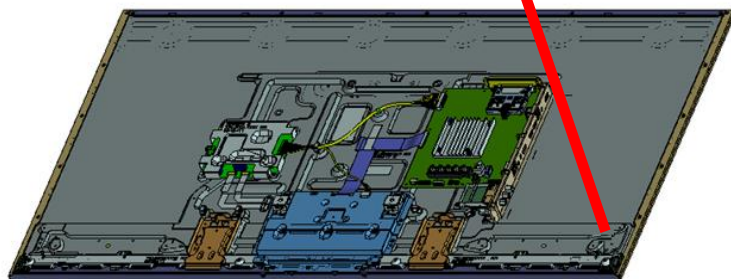
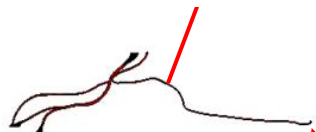


### 4. KD-49XD8305

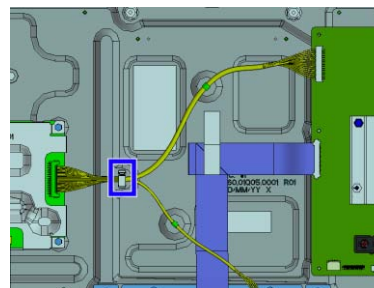
#### 4-17. HARNESS ASSY (MAIN) AND WIRE DRESSING AND CONNECTOR ASSY 30P



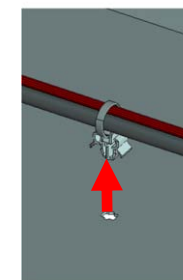
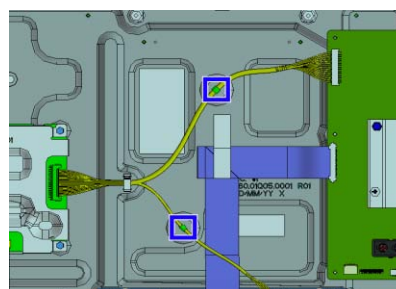
HARNESS ASSY (MAIN)  
P/N: 1-910-111-73



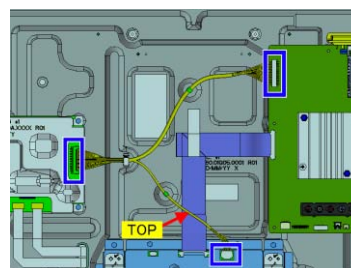
1



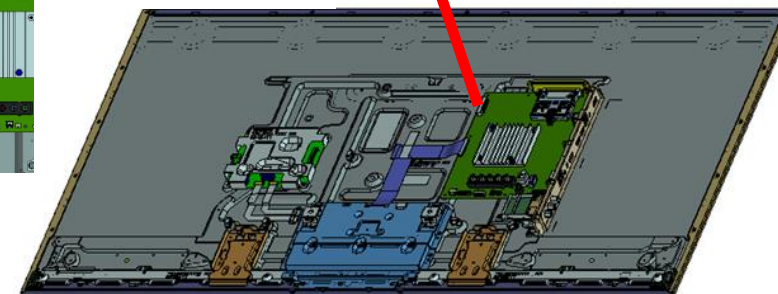
2



3

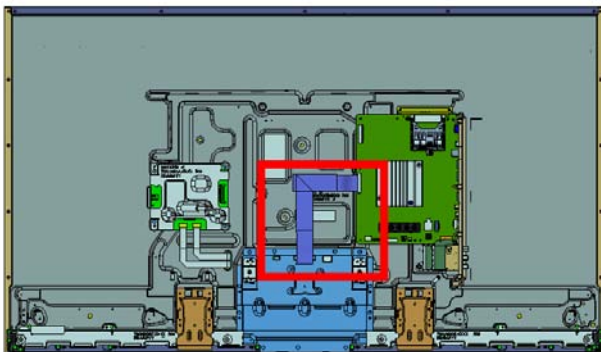


CONNECTOR ASSY 30P  
P/N: 1-910-111-75

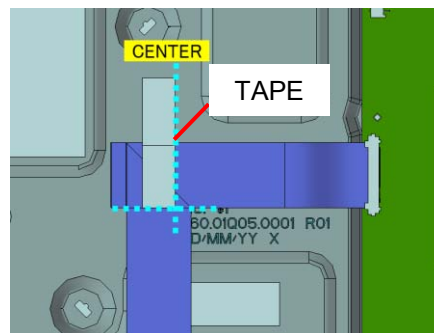


### 4. KD-49XD8305

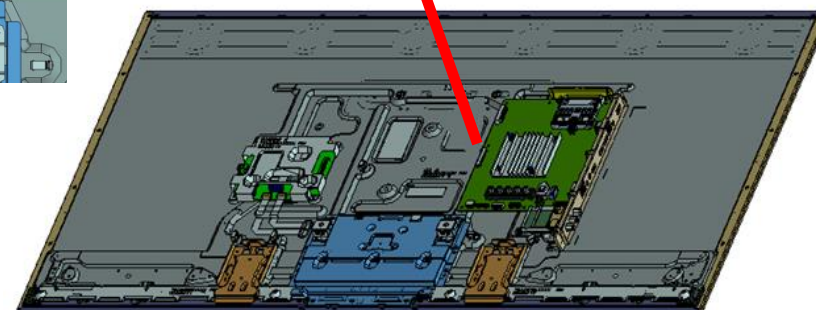
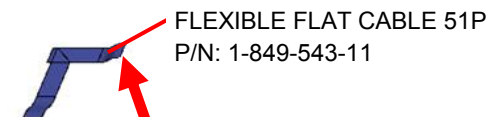
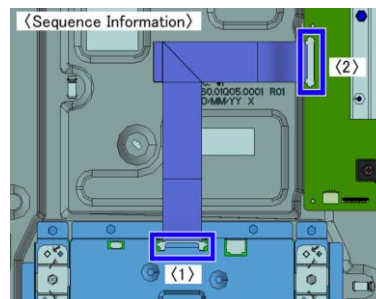
#### 4-18. TAPE AND FLEXIBLE FLAT CABLE 51P



1

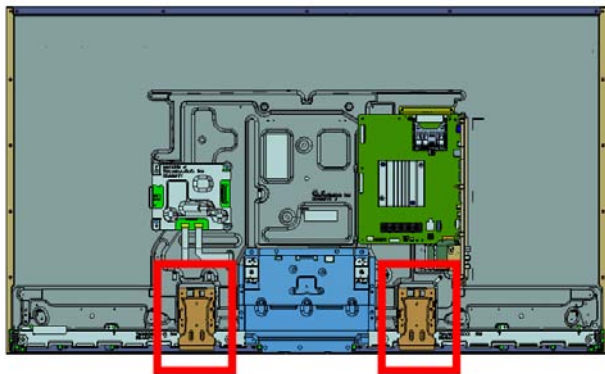


2

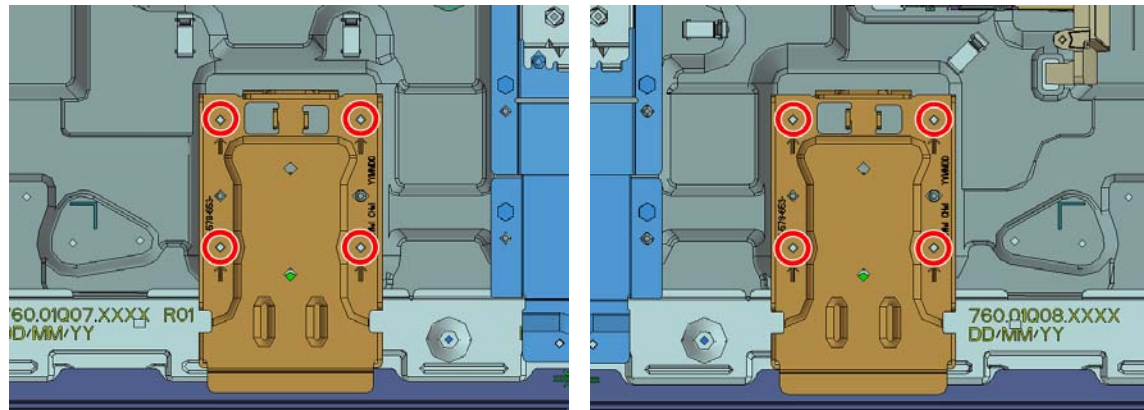


### 4. KD-49XD8305

#### 4-19. BRACKET, STD(ML\_PDT)

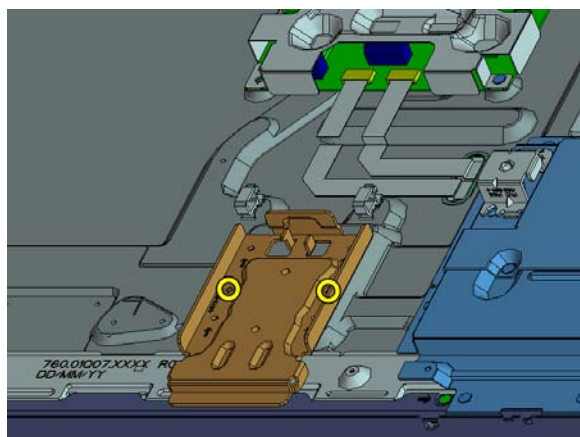


1

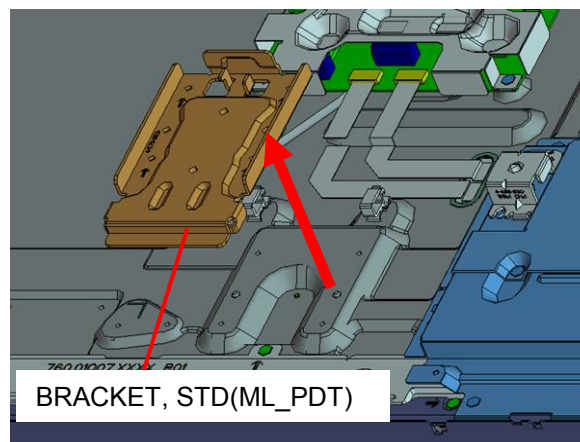


8 screws (SCREW, +PSW M3X6) P/N: 4-472-518-11

2

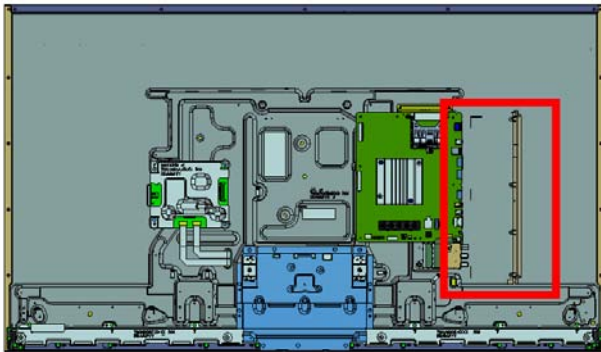


3



## 4. KD-49XD8305

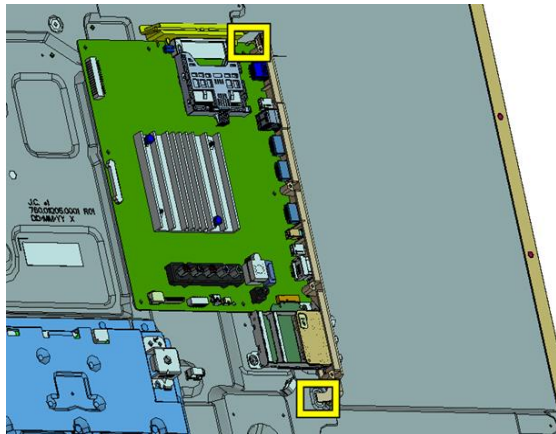
### 4-20. BRACKET, SIDE (PDT)



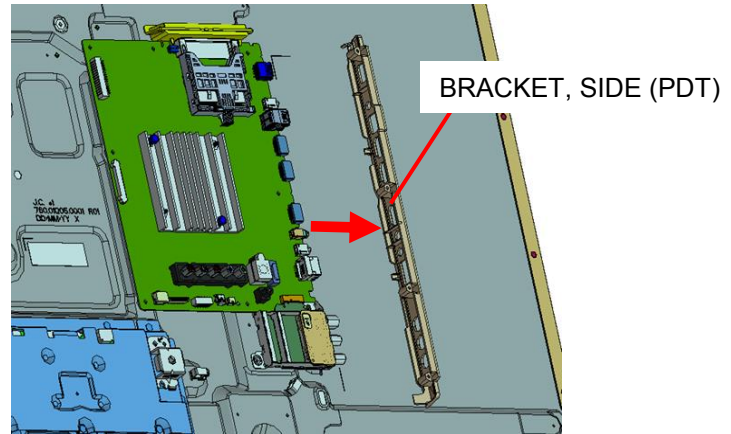
1



2

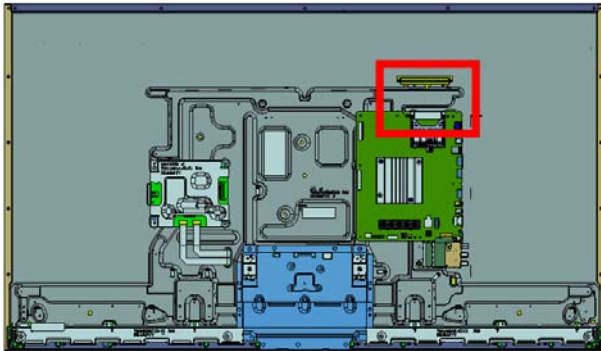


3

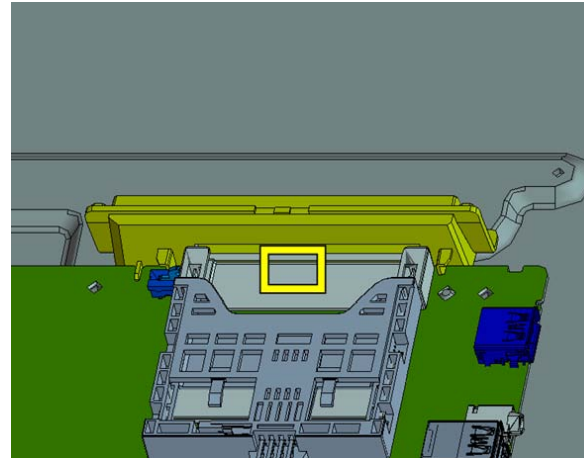


## 4. KD-49XD8305

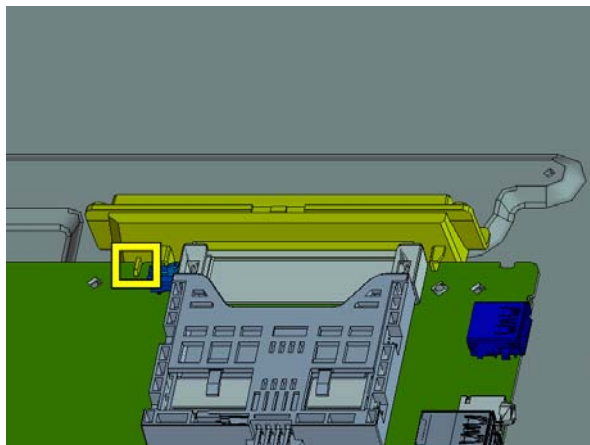
### 4-21. BRACKET, TOP FL (MOLD)



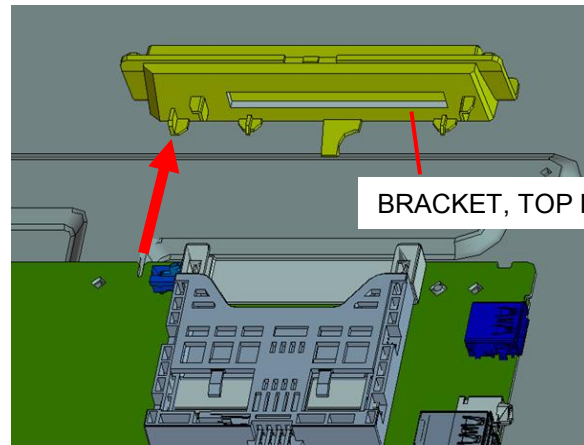
1



2



3



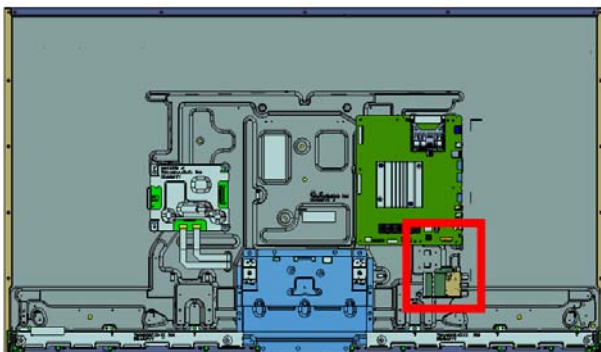
BRACKET, TOP FL (MOLD)



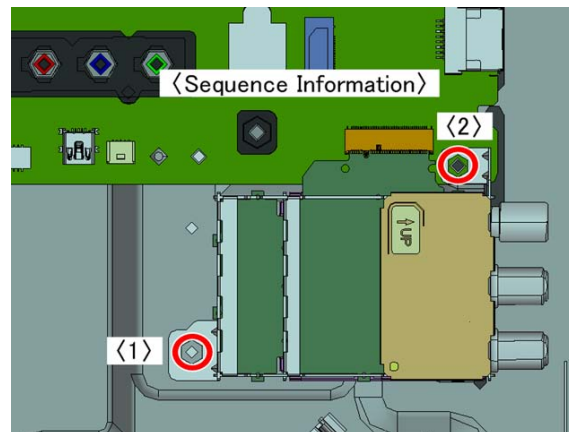
## 4. KD-49XD8305

### 4-22. UNIVERSAL SIL-TU

\* Please refer to "APPENDIX-3" for details.

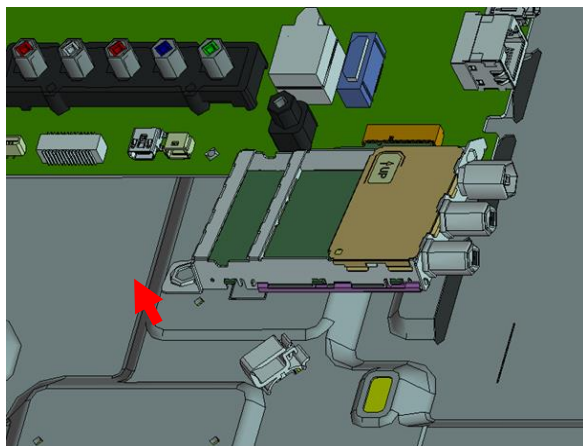


1

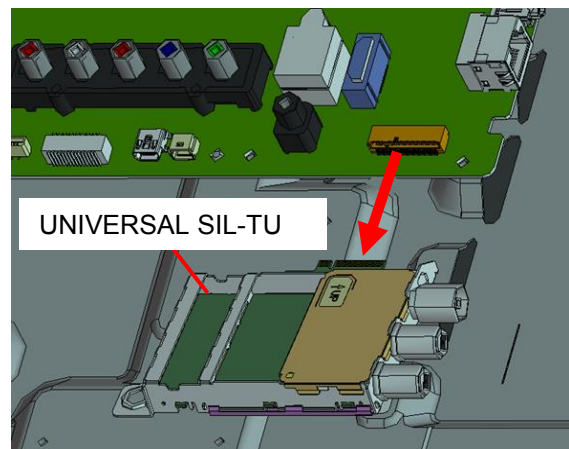


2 screws (SCREW, +PSW M3X6) P/N: 4-472-518-11

2

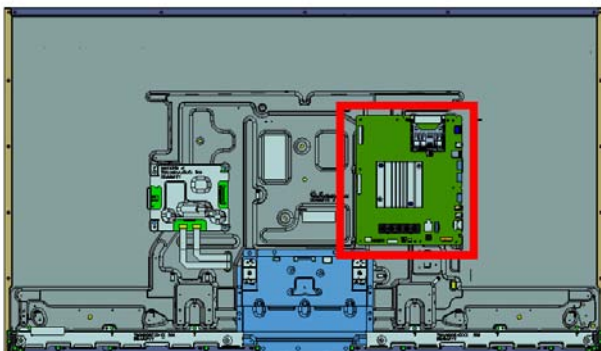


3

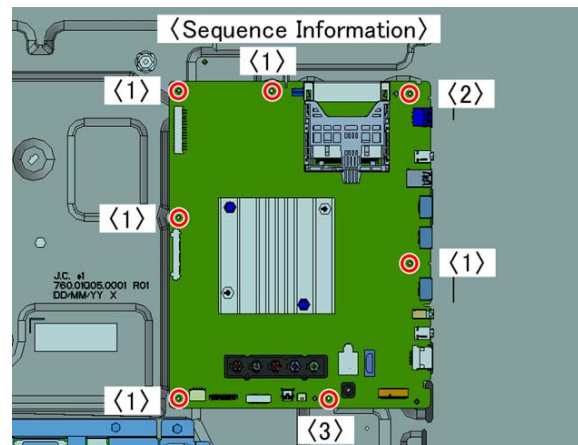


### 4. KD-49XD8305

#### 4-23. BFM

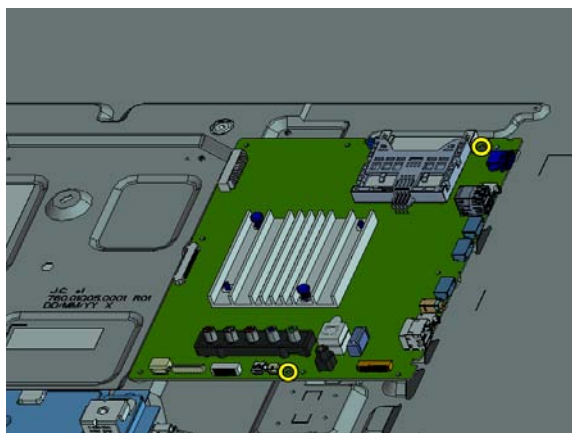


1

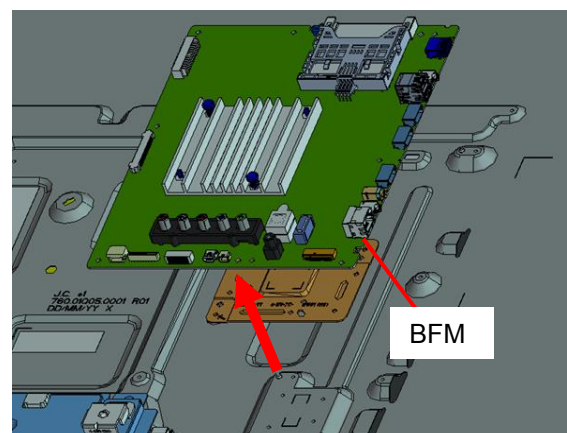


7 screws (SCREW, +PSW M3X6) P/N: 4-472-518-11

2

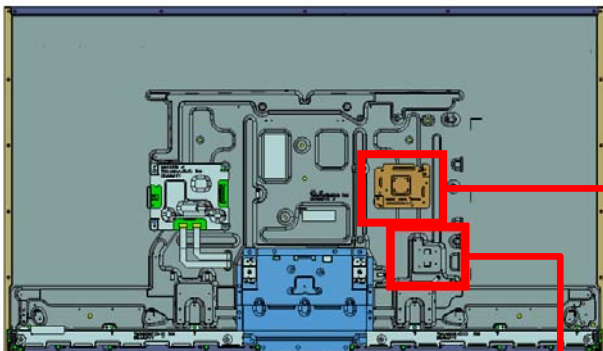


3



### 4. KD-49XD8305

#### 4-24. SHEET, THERMAL(BM) AND SHEET, THERMAL (TU AEP)



**SHEET, THERMAL(BM)  
P/N:4-549-186-01**

2.0±2.0mm 2.0±2.0mm

Don't overlap on align marking

Be careful the side of SHEET THERMAL.

Separator side

This diagram shows a square thermal sheet being applied to a metal chassis. The sheet is white with a brown border. Two dimensions of 2.0±2.0mm are indicated with blue arrows and dashed lines, showing the offset from the align marking. A yellow box at the bottom says "Don't overlap on align marking". To the right, a yellow box says "Be careful the side of SHEET THERMAL." Below it is a close-up photo of a hand applying the sheet to a grey plastic component, with a red arrow pointing to the "Separator side".

**SHEET, THERMAL (TU AEP)  
P/N:4-584-121-01**

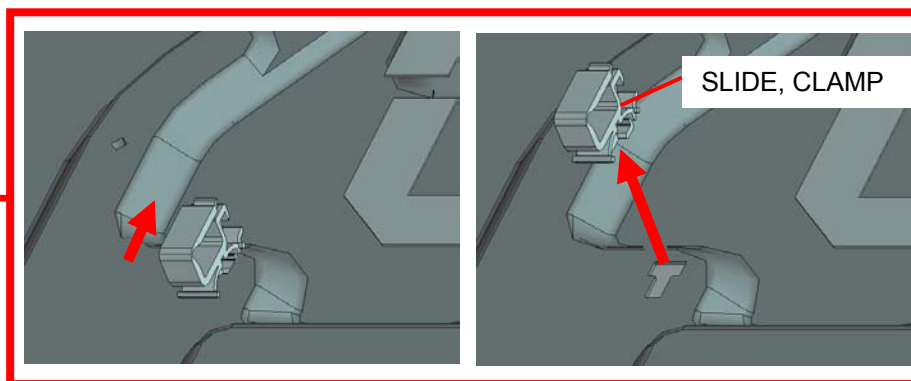
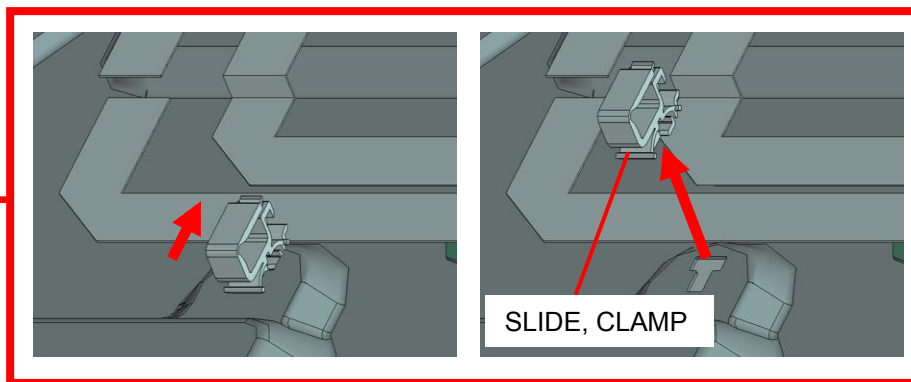
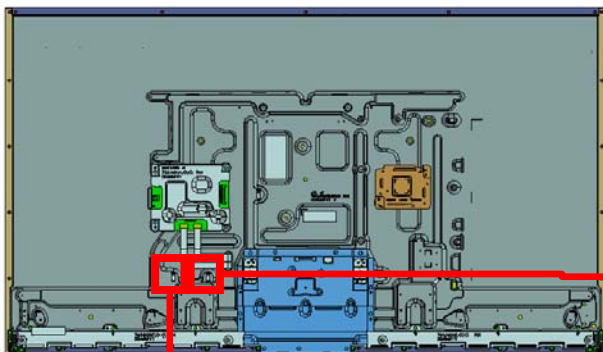
1.5±1.5mm 1.5±1.5mm

Don't overlap on align marking

This diagram shows a rectangular thermal sheet being applied to a metal chassis. The sheet is white with a grey border. Two dimensions of 1.5±1.5mm are indicated with blue arrows and dashed lines, showing the offset from the align marking. A yellow box at the bottom says "Don't overlap on align marking".

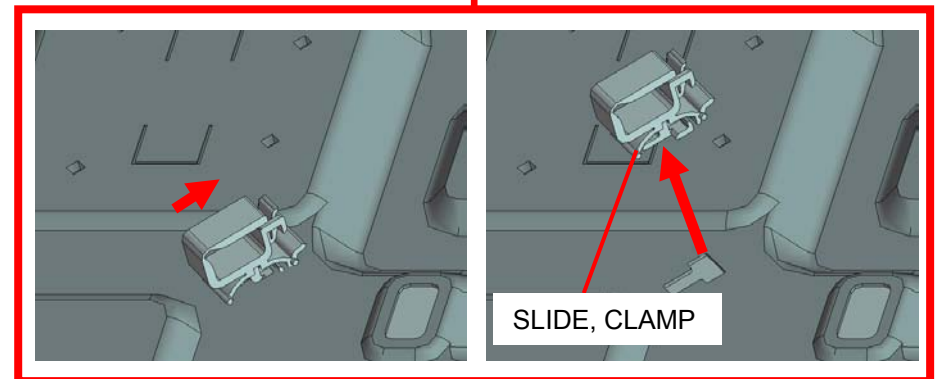
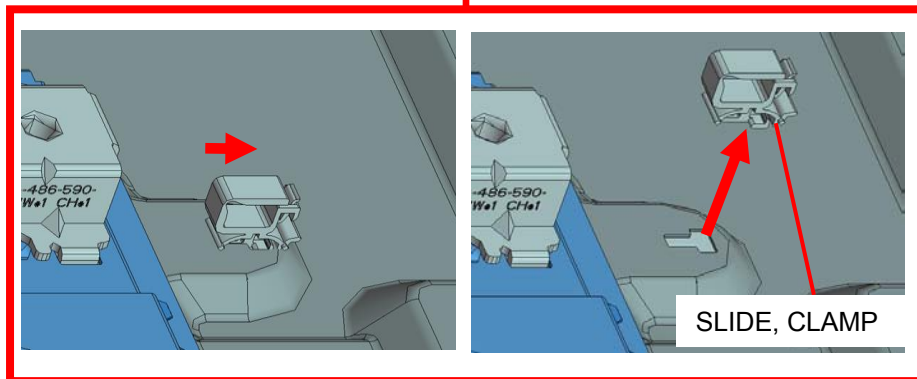
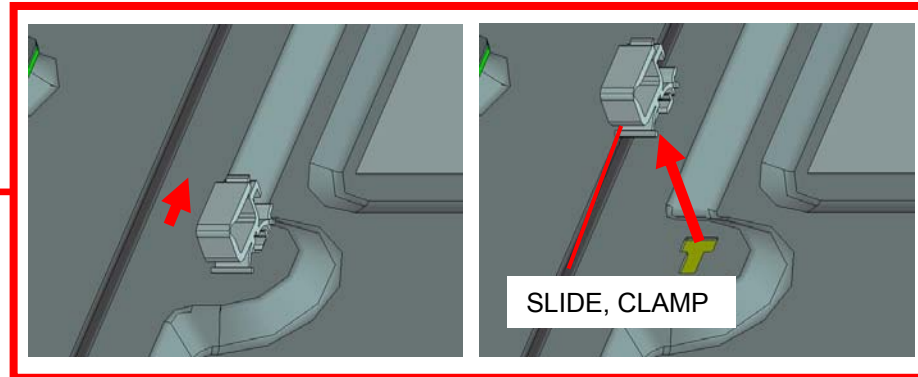
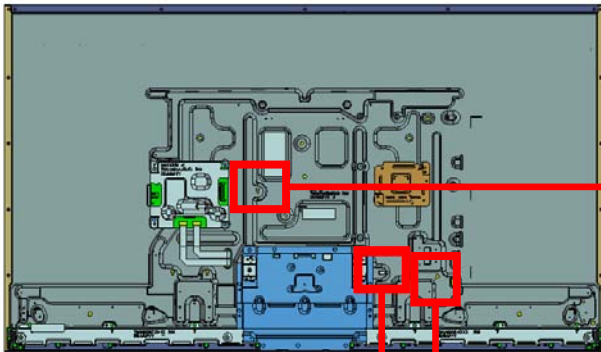
## 4. KD-49XD8305

### 4-25. SLIDE, CLAMP



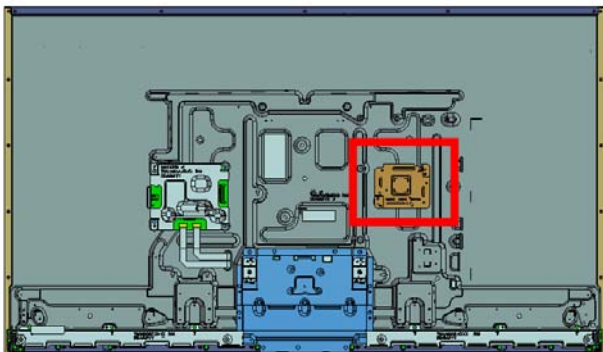
## 4. KD-49XD8305

### 4-26. SLIDE, CLAMP

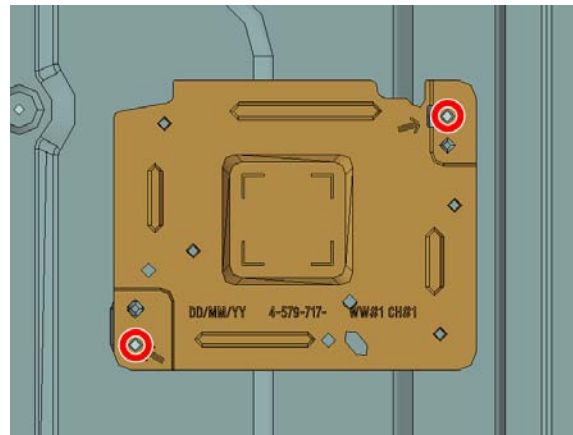


## 4. KD-49XD8305

### 4-27. PLATE, MAIN S (PDT)

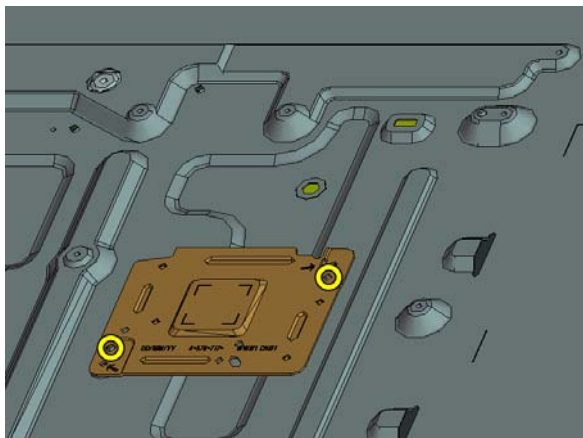


1

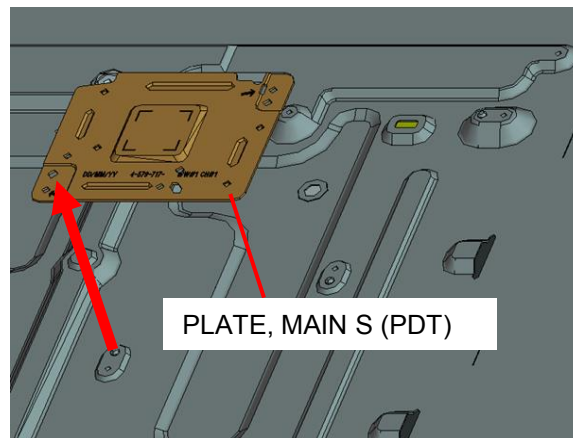


2 screws (SCREW, +PSW M3X6) P/N: 4-472-518-11

2

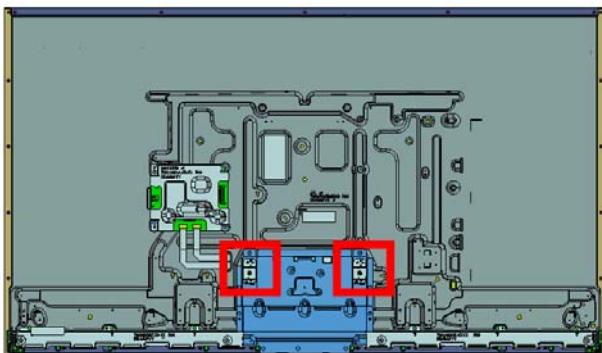


3

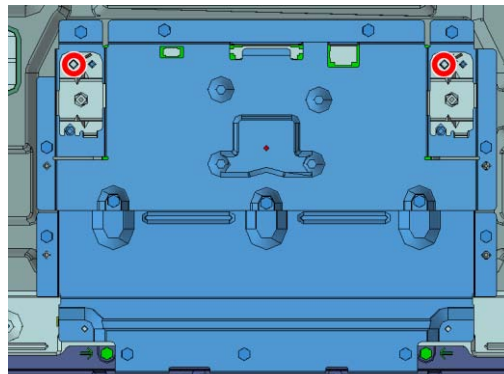


### 4. KD-49XD8305

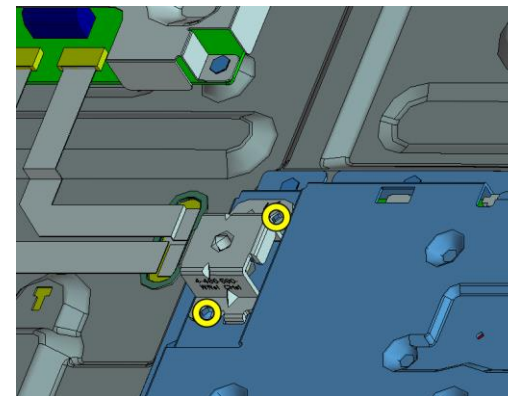
#### 4-28. BRACKET, VESA(MIA) AND SCREW



1

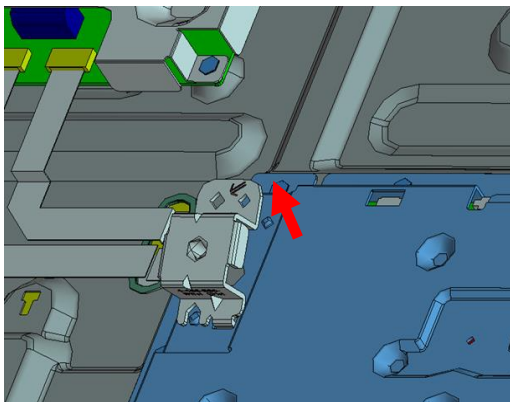


2

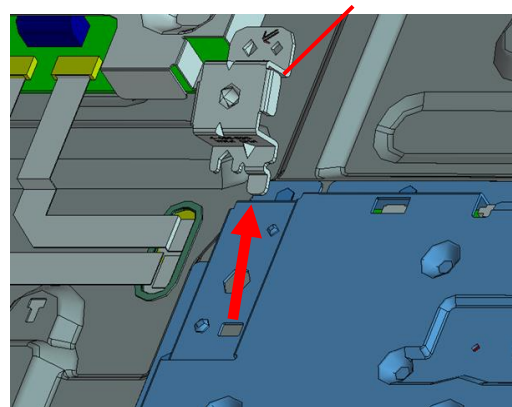


2 screws (SCREW, +PSW M4X10) P/N: 4-159-298-01

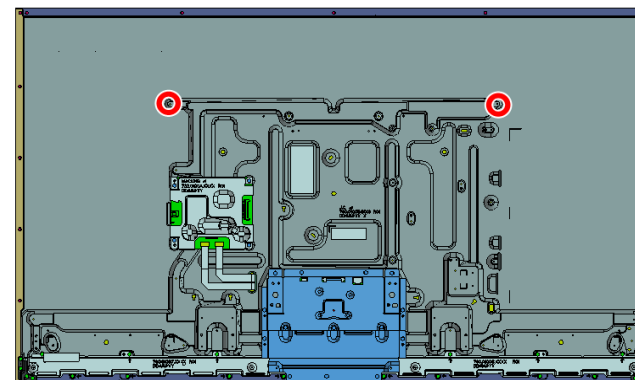
3



4



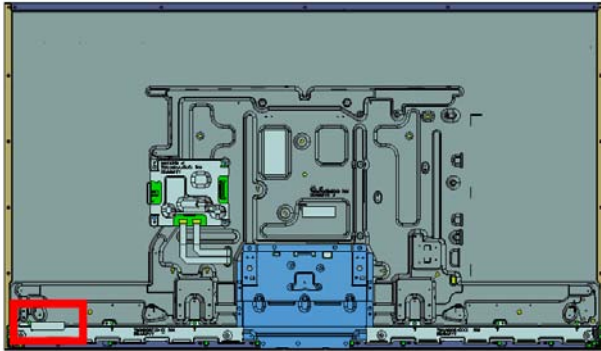
5



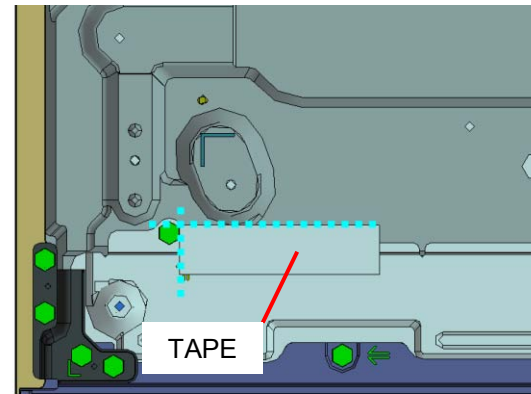
2 screws (SCREW M3X3.0 STEP) P/N: 4-579-926-01

## 4. KD-49XD8305

### 4-29. TAPE AND LCD PANEL

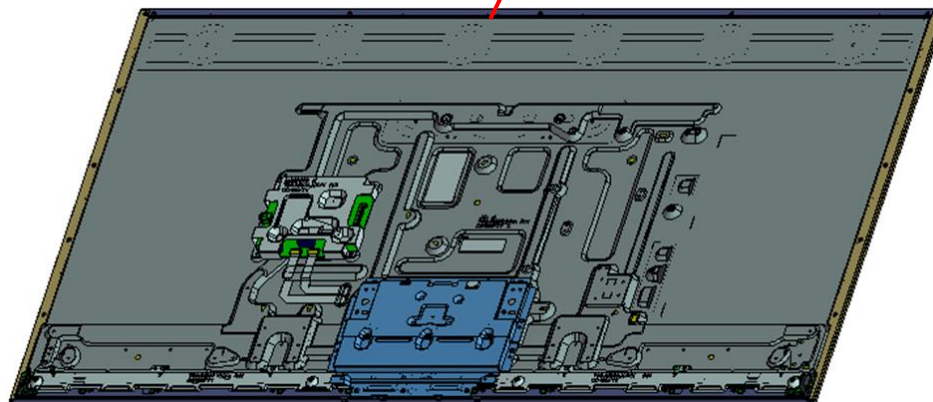


1



2

LCD PANEL

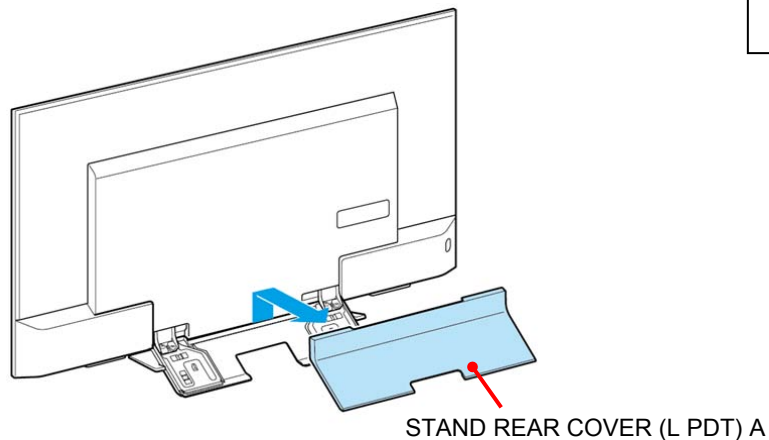




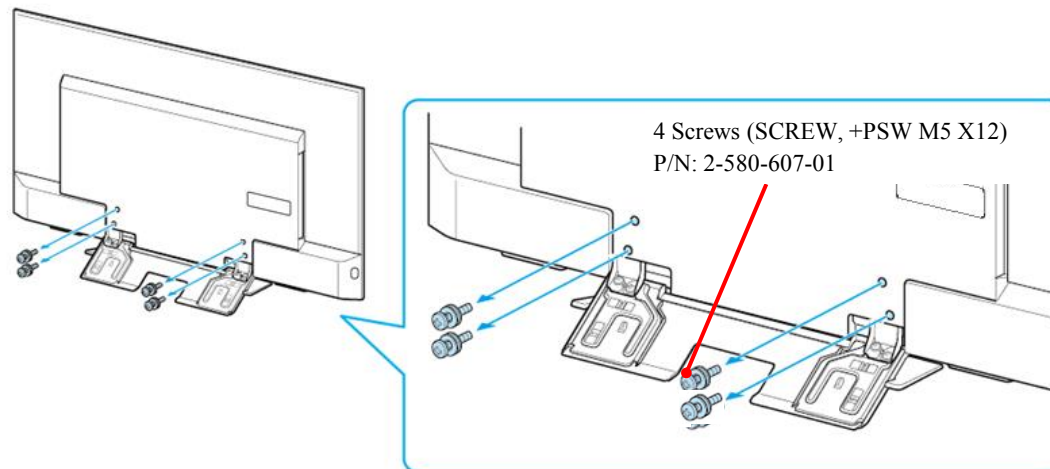
## 5. KD-55XD8005

### 5-1. STAND REAR COVER (L PDT) A AND STAND (L PDT P) A AND STAND NECK (L PDT) A

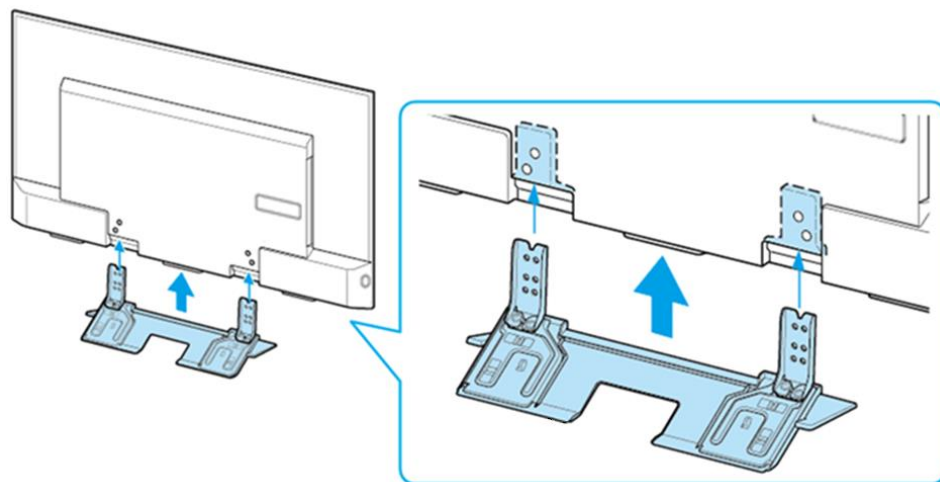
1



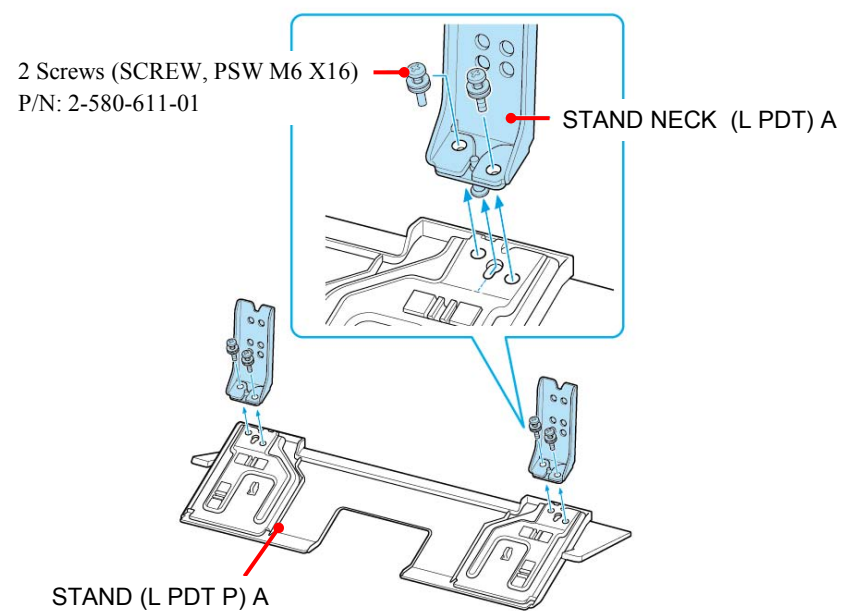
2



3

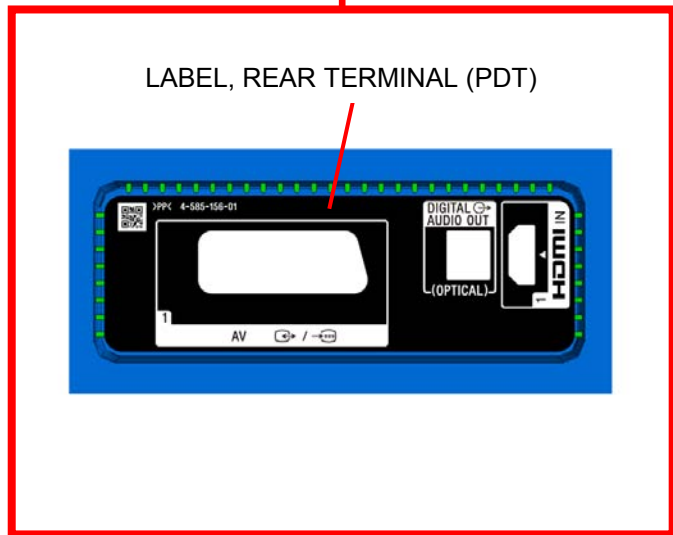
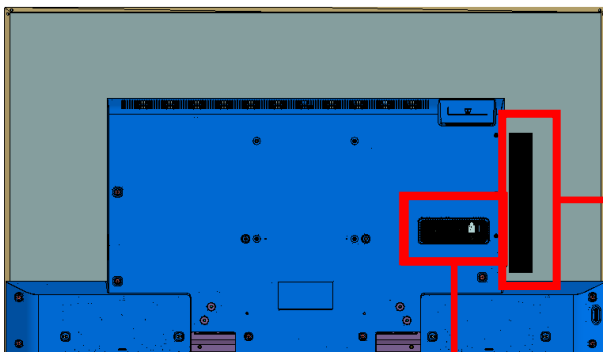


4



## 5. KD-55XD8005

### 5-2. LABEL, REAR TERMINAL (PDT) AND LABEL, SIDE TERMINAL(PDT)



When you do panel replacement, please also replace this part at the same time to a new one.

LABEL, SIDE TERMINAL(PDT)

marking

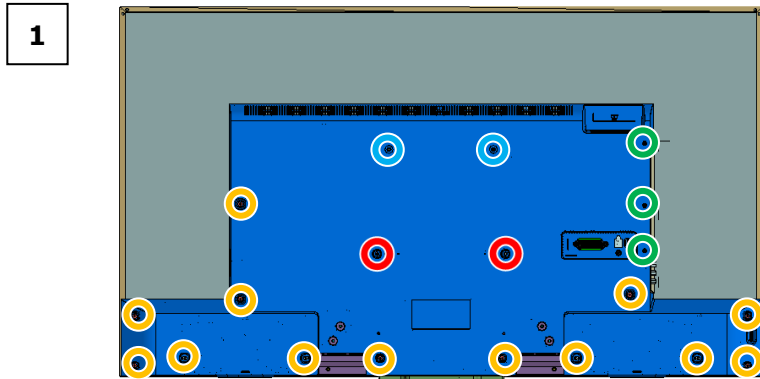
Align the label to the marking,  
① corner edge  
② left side line

To prevent bubbles from entering,  
Please stroked the label from the  
top side to bottom side.

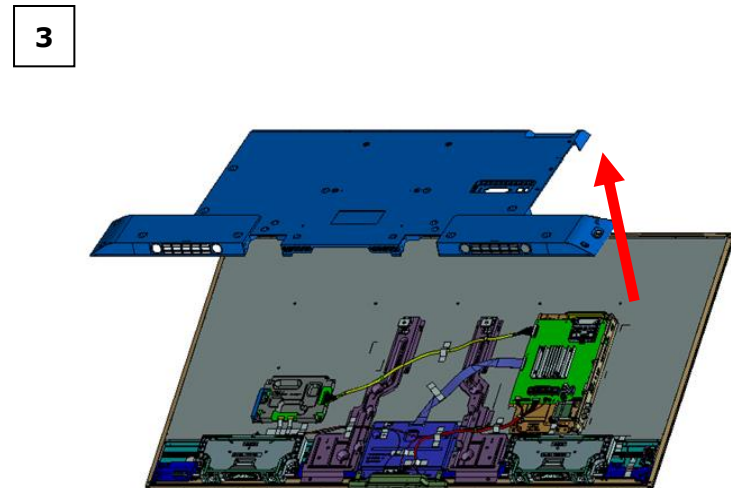
Caution: Don't damage to LABEL. Scratch, deform, dirty etc....

## 5. KD-55XD8005

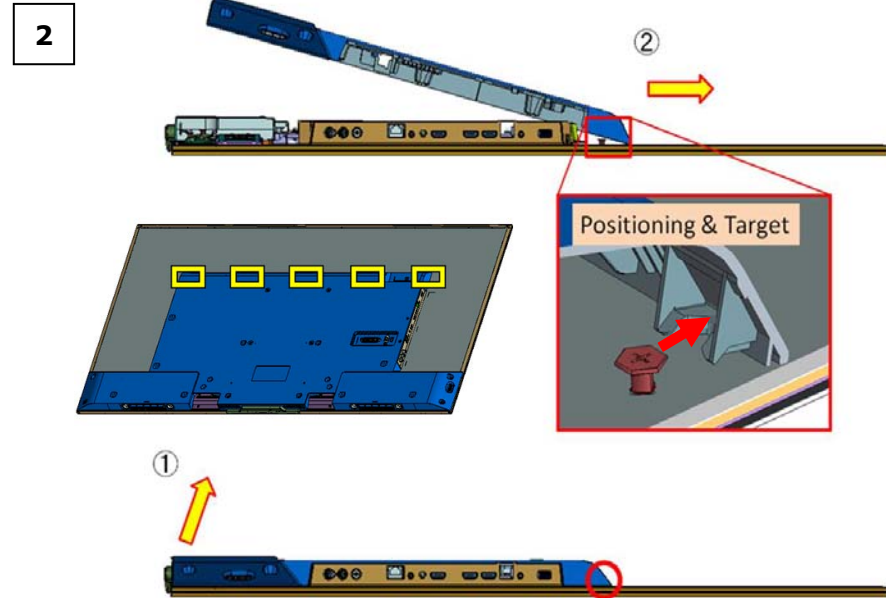
### 5-3. REAR COVER (ML\_PDT) A AND BRACKET, VESA



- 2 screws (SCREW, ORNAMENTAL M6X12) P/N: 4-268-126-02
- 2 screws (SCREW, +PSW M4X10) P/N: 4-159-298-01
- 3 screws (SCREW +BVTP 3X10 TYPE2 IT-3) P/N: 7-685-647-79
- 13 screws (SCREW M3X3.0 STEP) P/N: 4-579-926-01



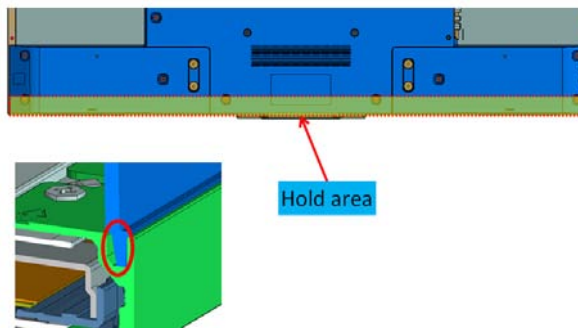
Don't hit R/C to BT ANTENNA.



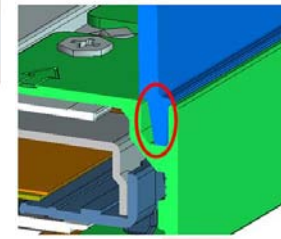
**NOTE:**

Hold R/C to not floating while screwing.

Ensure R/C is installed to slit of panel.

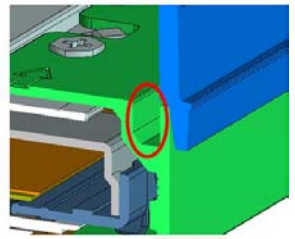


**OK**



Bottom

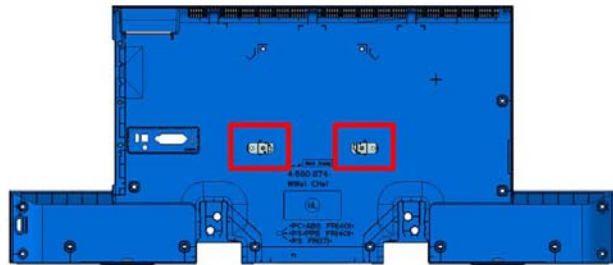
**NG**



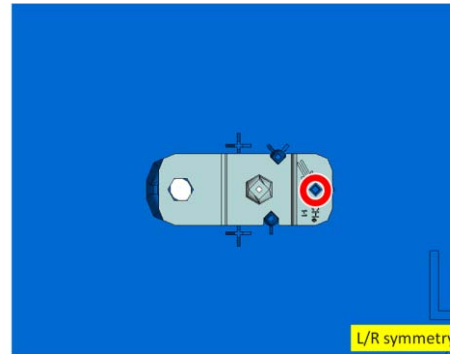
Bottom

## 5. KD-55XD8005

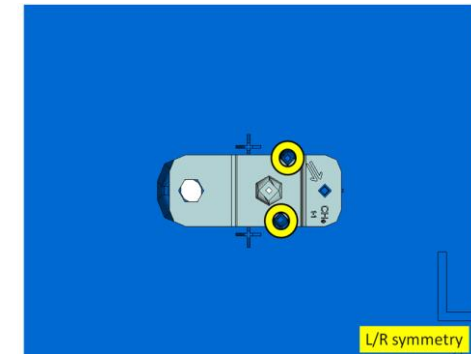
### 5-3. REAR COVER (M1\_L\_PDT) A AND BRACKET, VESA(L\_PDT)



4

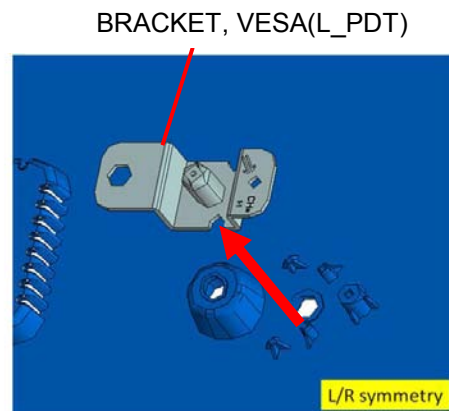


5

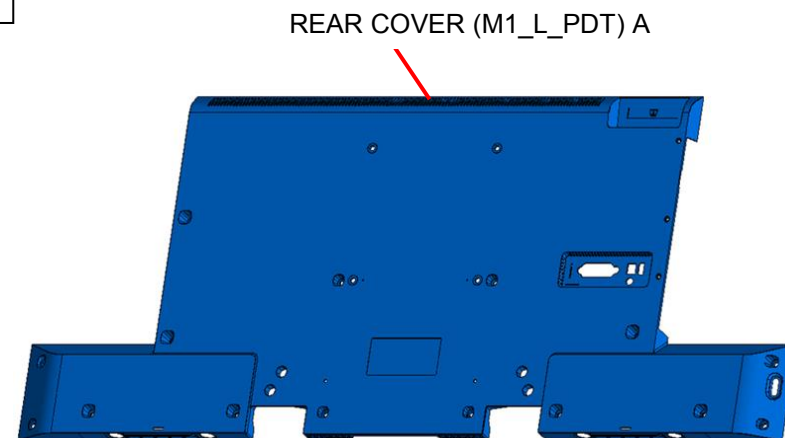


○ Screw (SCREW +BVTP 3X8 TYPE2 IT-3) P/N: 7-685-646-79

6

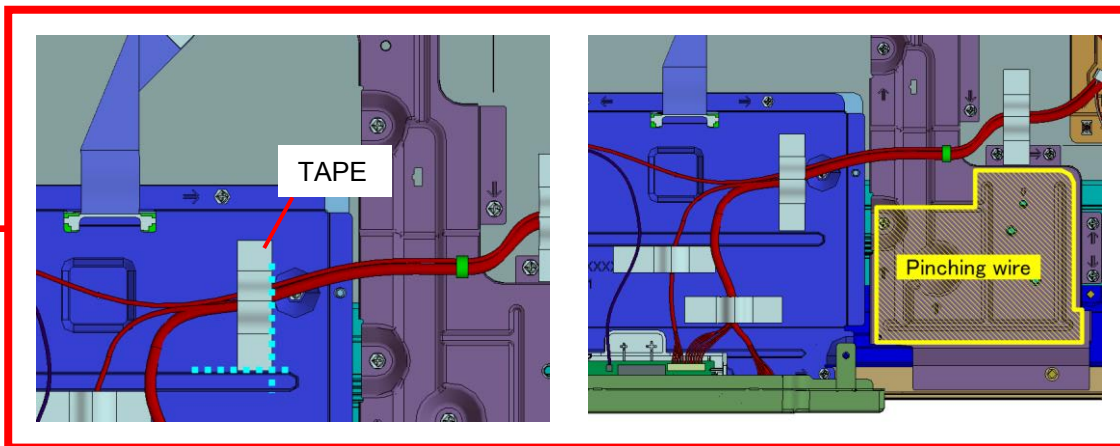
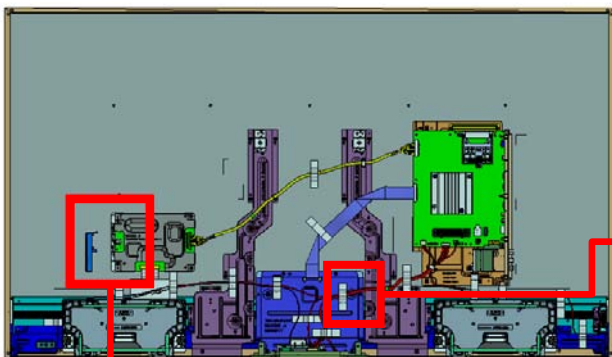


7

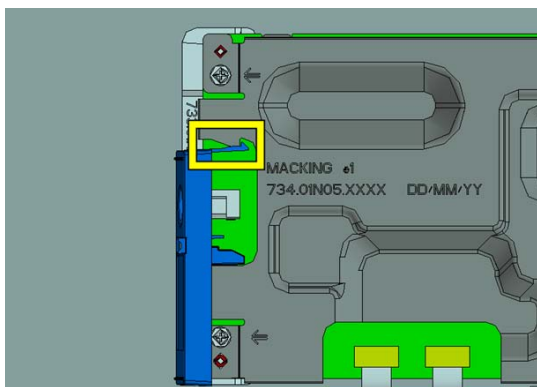


### 5. KD-55XD8005

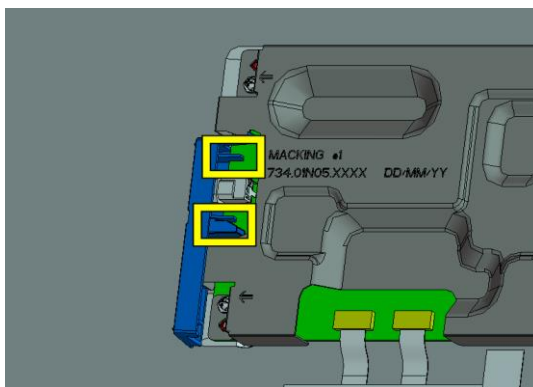
#### 5-4. BRACKET, DC JACK (PDT) AND TAPE



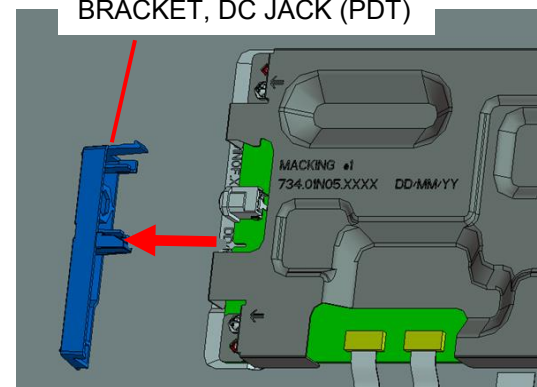
1



2

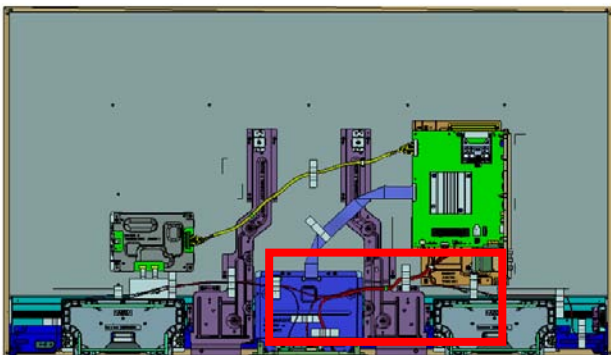


3

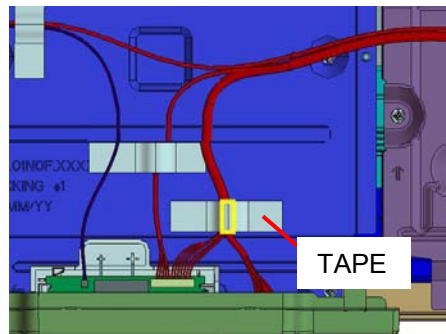


## 5. KD-55XD8005

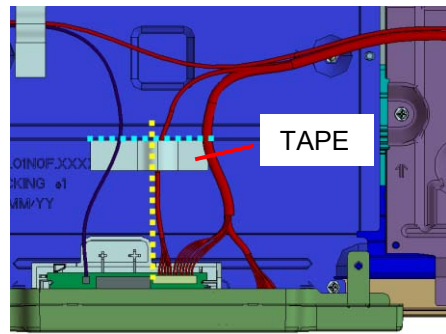
### 5-5. TAPE



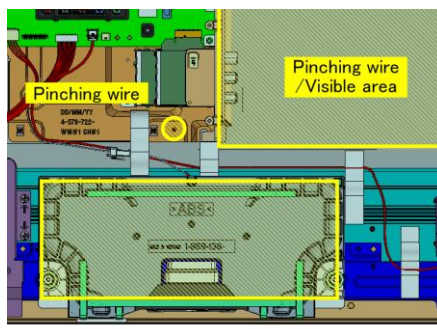
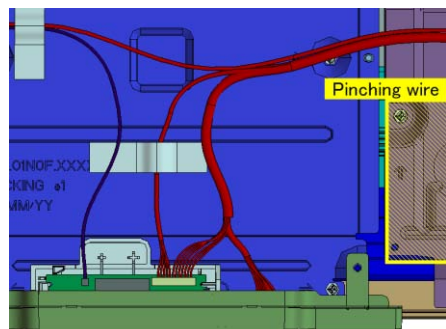
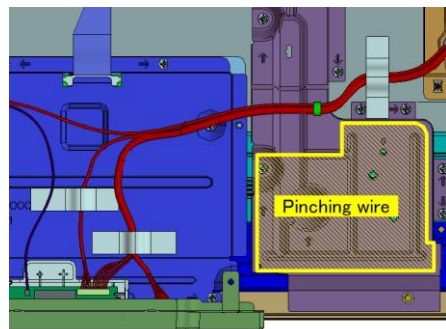
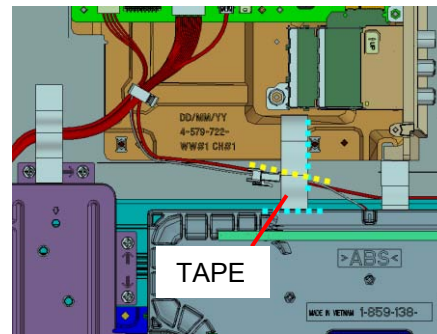
1



2

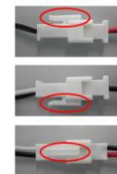


3



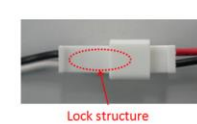
#### Relay connector direction

OK



Lock structure face except NG direction.

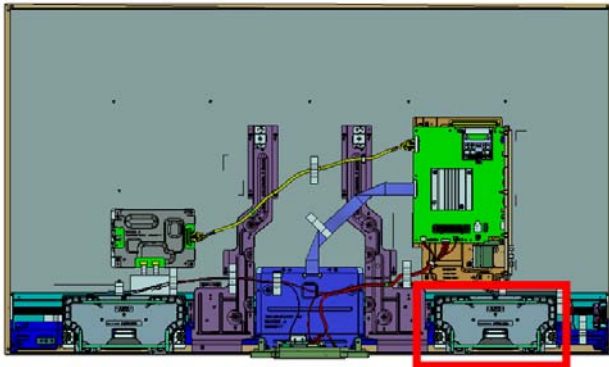
NG



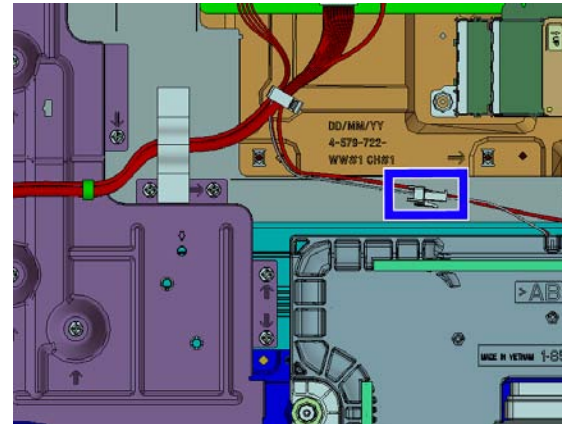
Lock structure face Back Chassis side.

## 5. KD-55XD8005

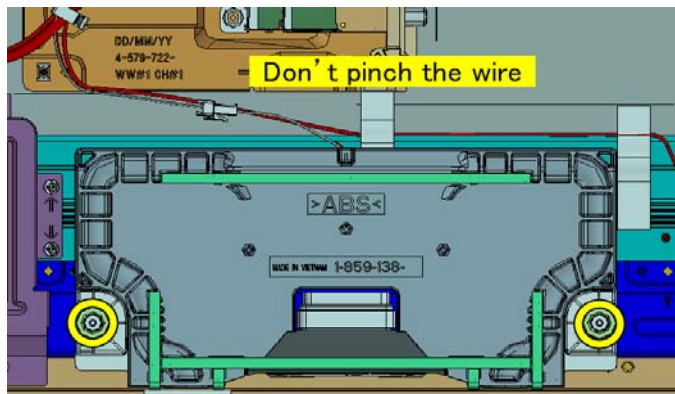
### 5-6. SP-BOX ASSY, W25(L)-E



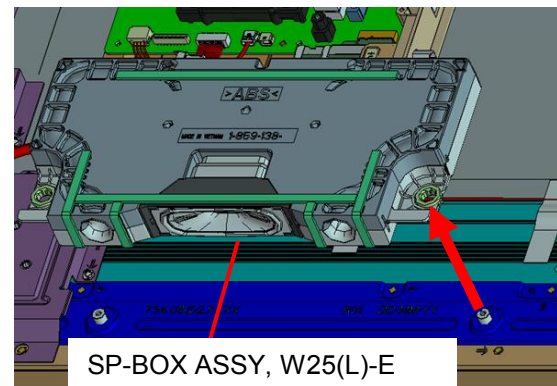
1



2

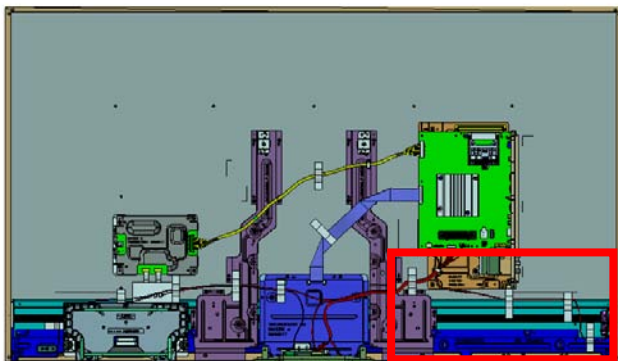


3

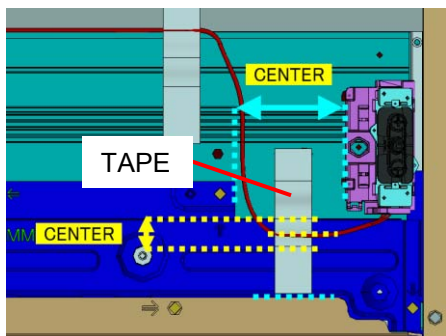


## 5. KD-55XD8005

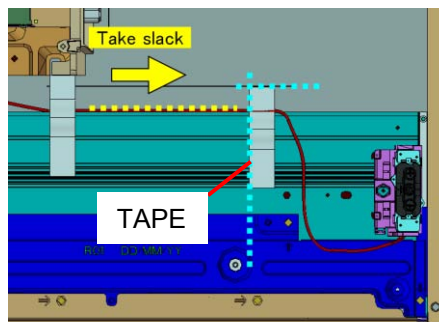
### 5-7. TAPE



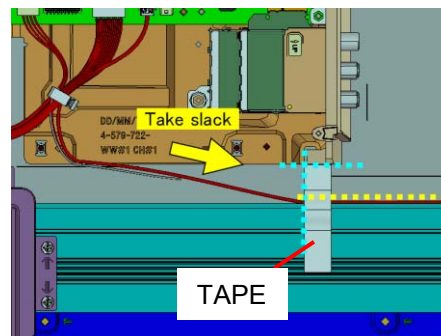
1



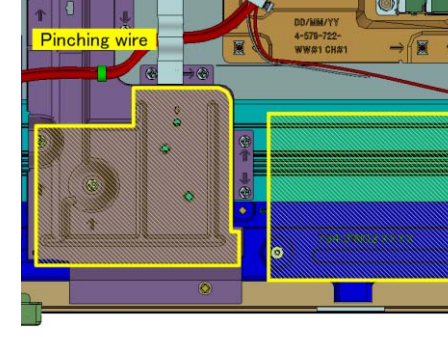
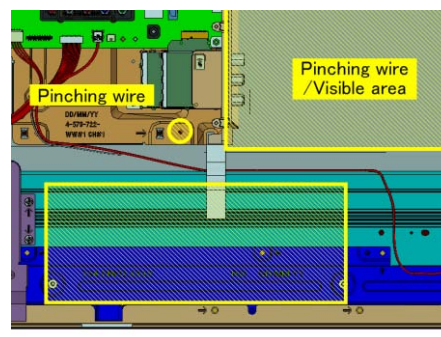
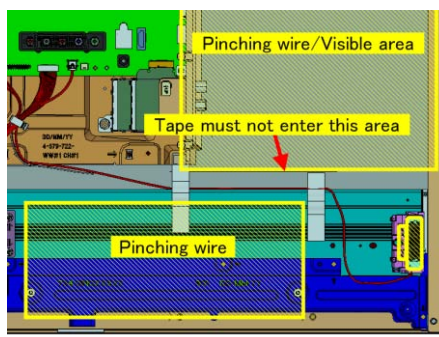
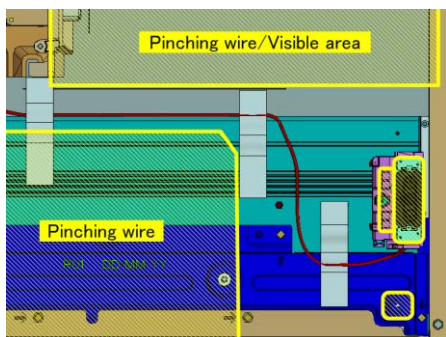
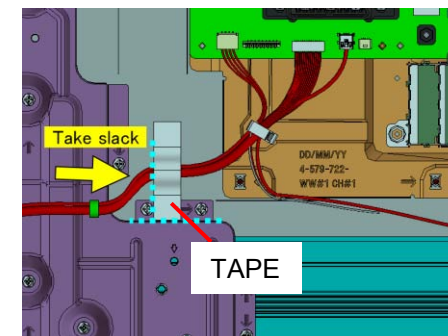
2



3



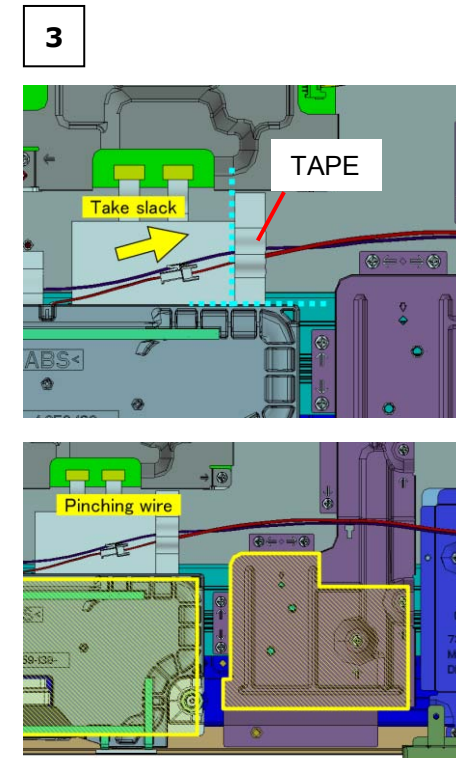
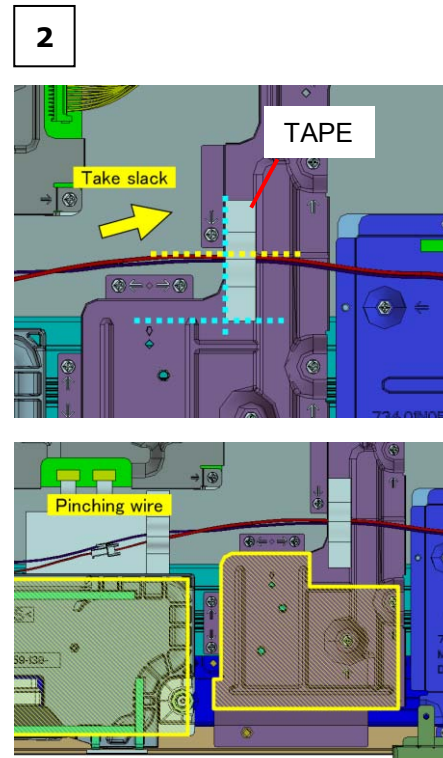
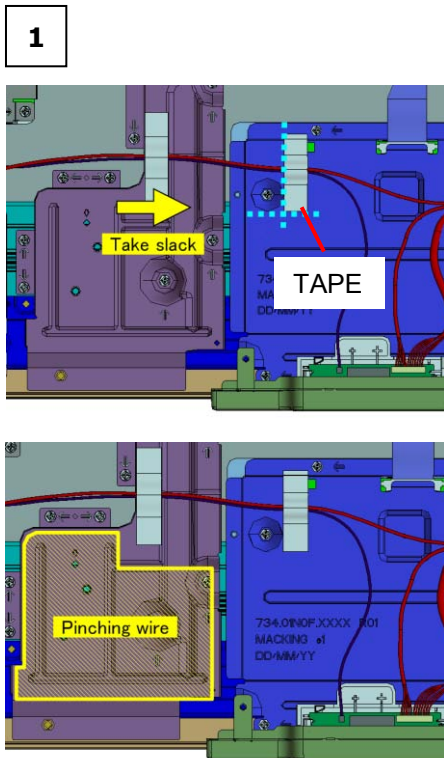
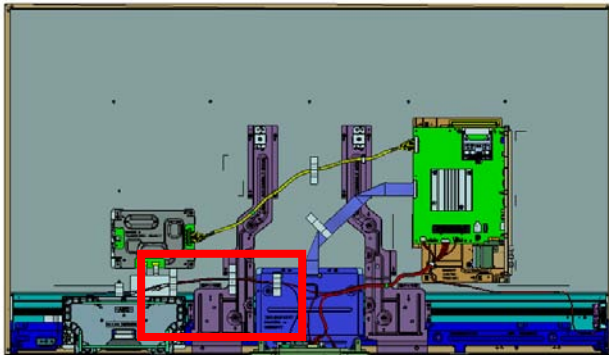
4





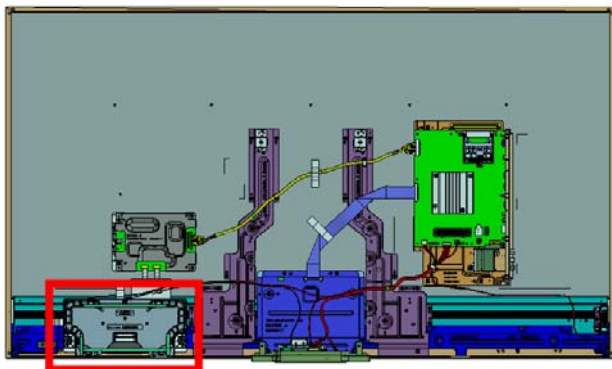
## 5. KD-55XD8005

### 5-8. TAPE

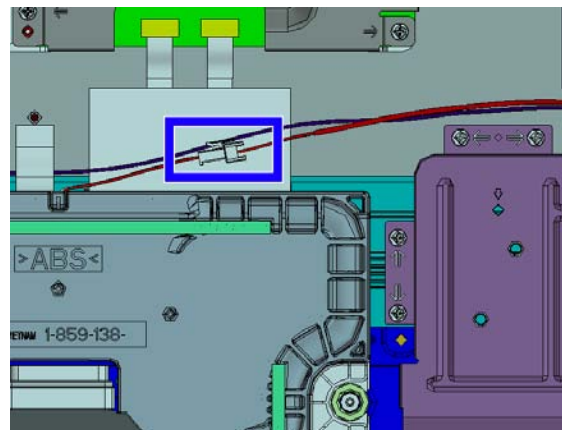


## 5. KD-55XD8005

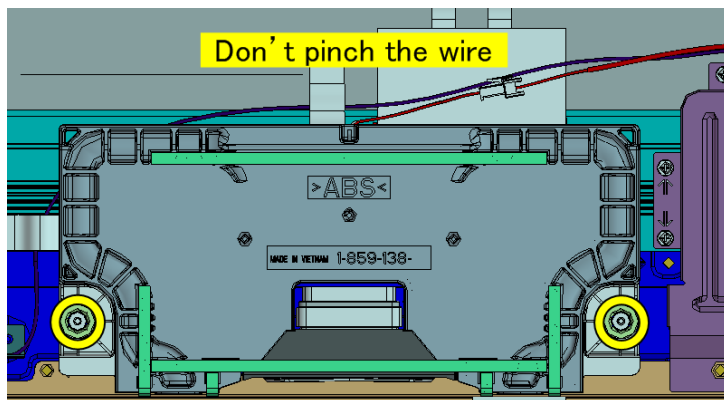
### 5-9. SP-BOX ASSY, W25(L)-E



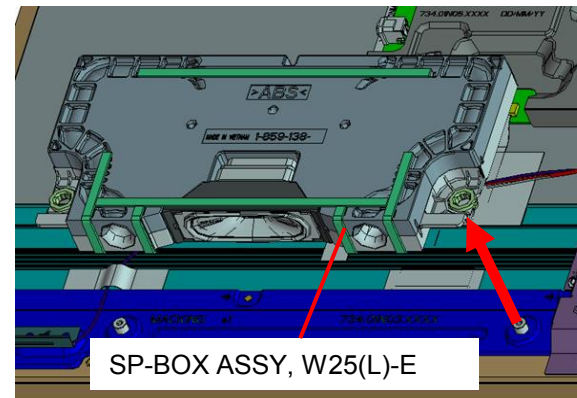
1



2

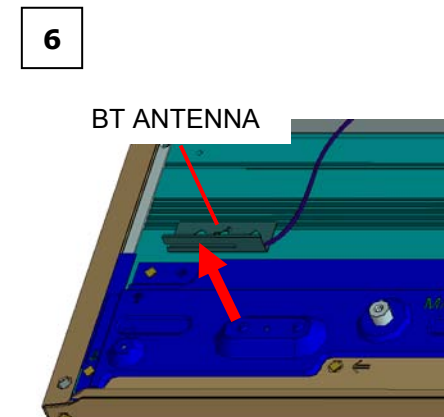
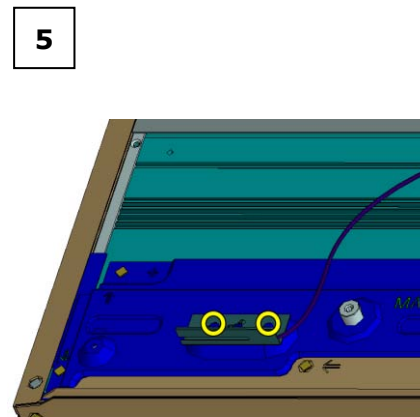
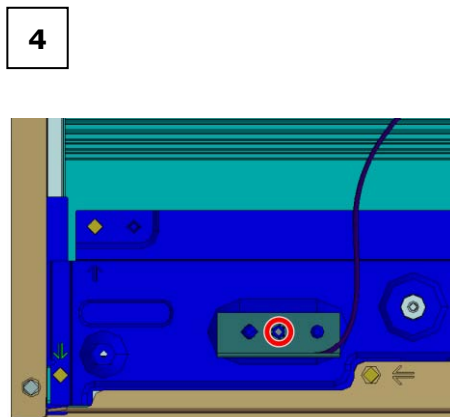
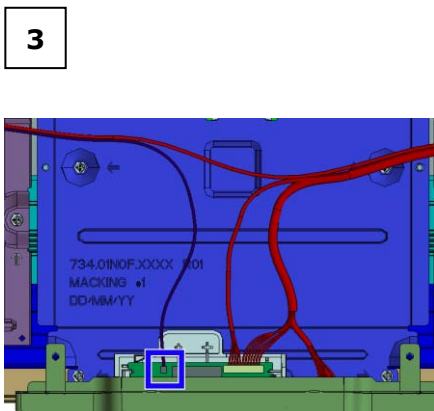
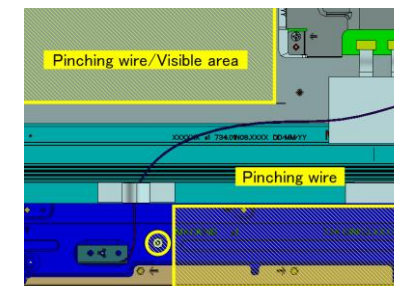
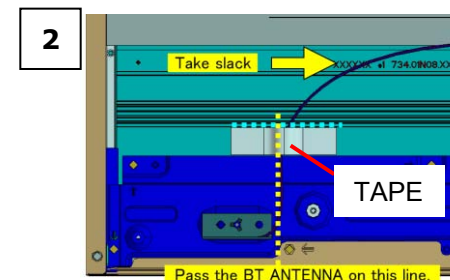
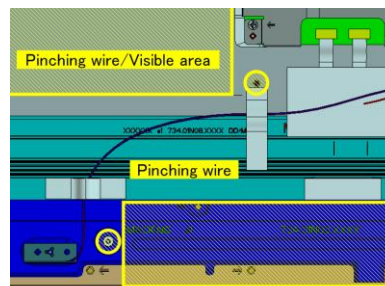
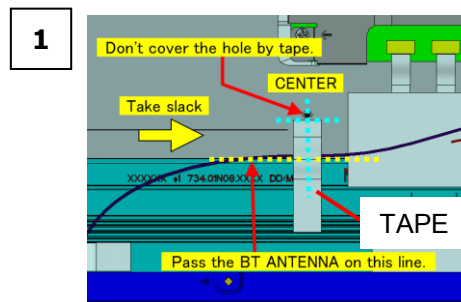
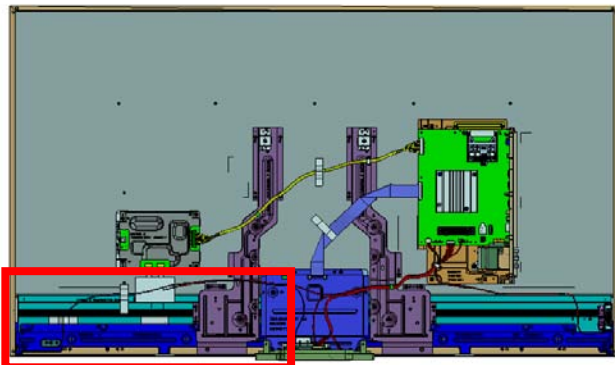


3



## 5. KD-55XD8005

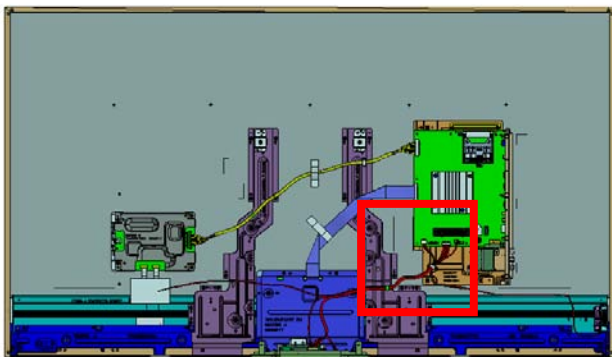
### 5-10. TAPE AND BT ANTENNA



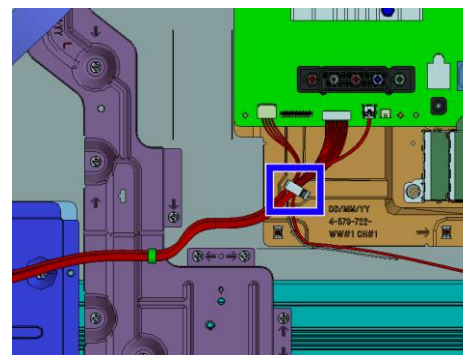
 Screw (SCREW, +PSW M3X6) P/N: 4-472-518-11

## 5. KD-55XD8005

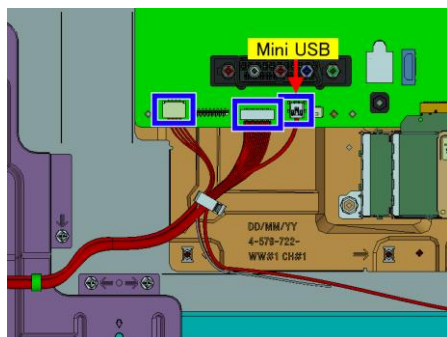
### 5-11. WIRE DRESSING



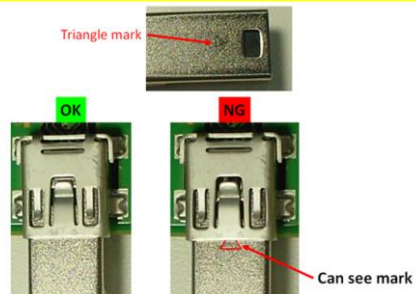
1



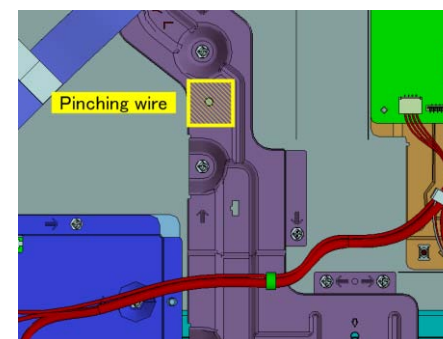
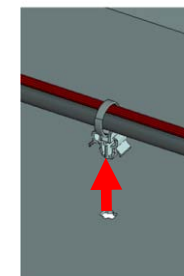
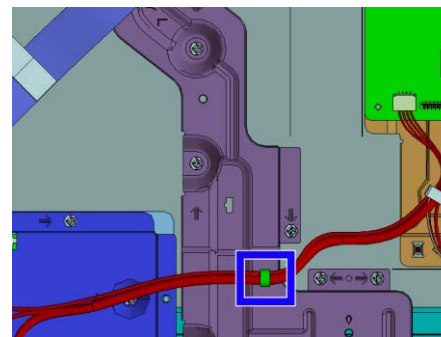
2



Check Mini USB connector condition.

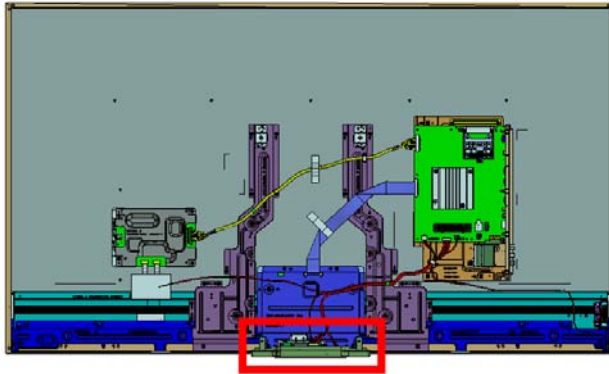


3



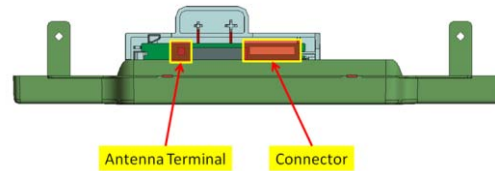
## 5. KD-55XD8005

### 5-12. SMART CORE (S)

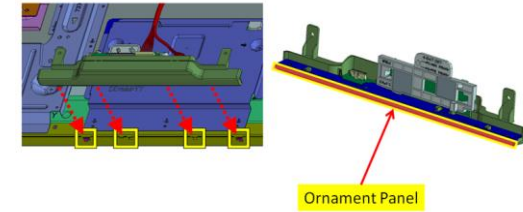


**NOTE:**

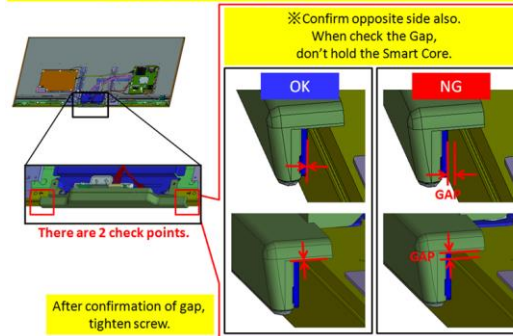
Don't touch these components while installing.



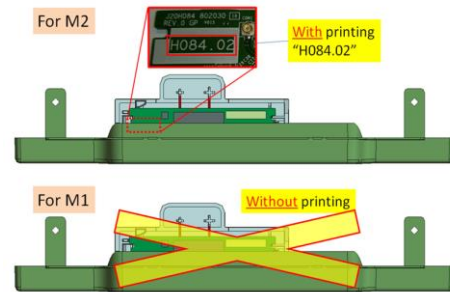
Don't scratch O/P with Bezel while installing.



Confirm Smart Core is assembled properly before tightening screw of Smart Core.

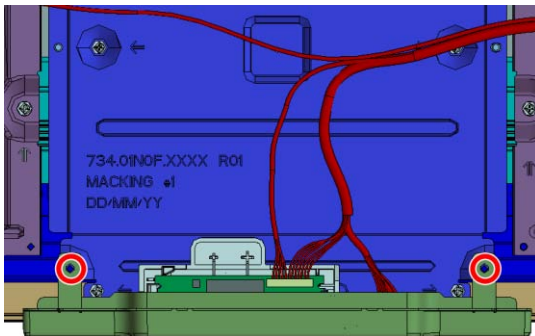


How to distinguish SC for M1 and M2



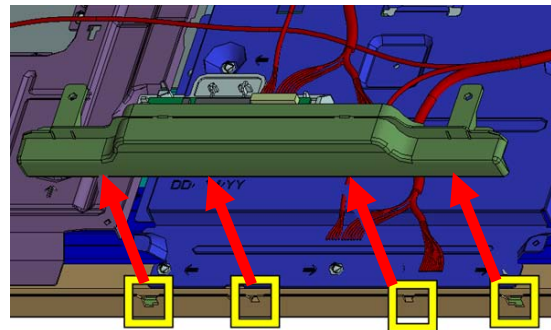
For This Model

1

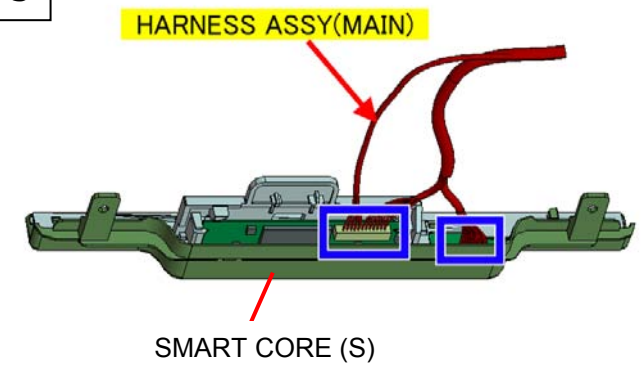


2 screws (SCREW, +PSW M3X6) P/N: 4-472-518-11

2

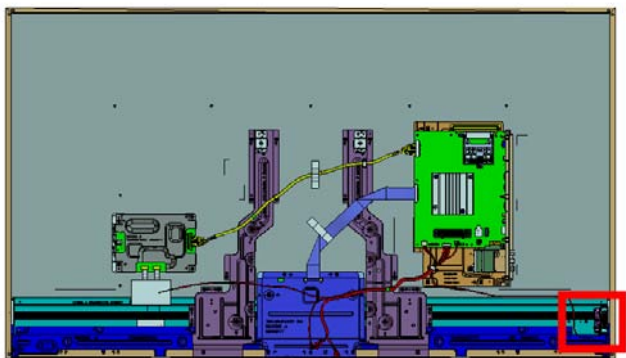


3

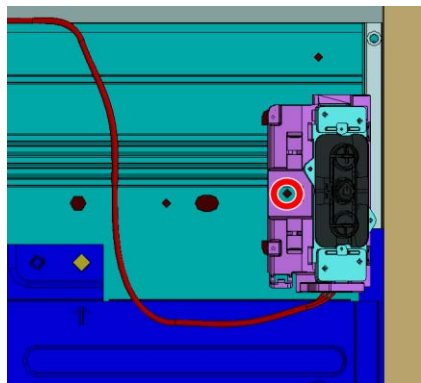


## 5. KD-55XD8005

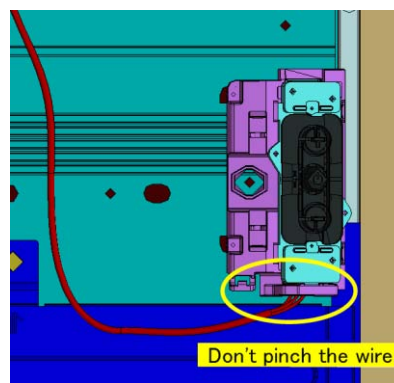
### 5-13. HOLDER SIDE SW(PDT) AND SWITCH UNIT (3M-P)



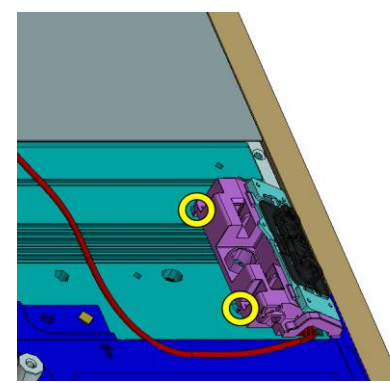
1



2

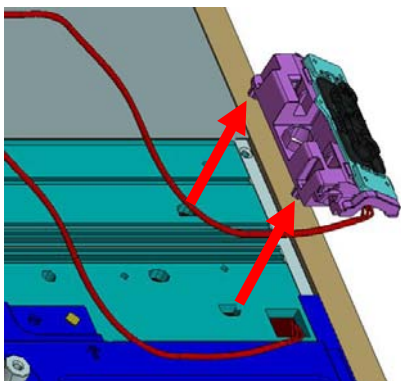


3

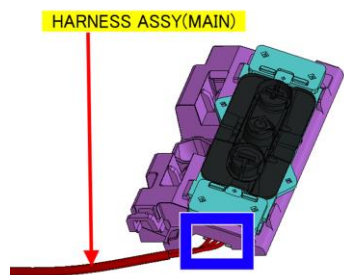


○ Screw (SCREW M3X3.0 STEP) P/N: 4-579-926-01

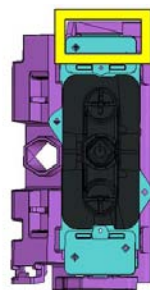
4



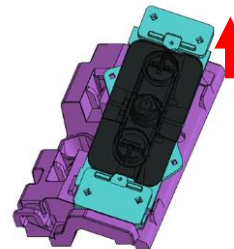
5



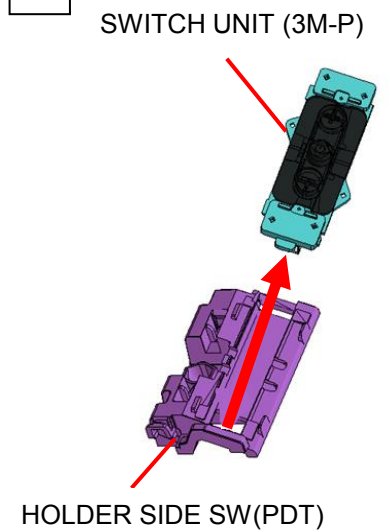
6



7

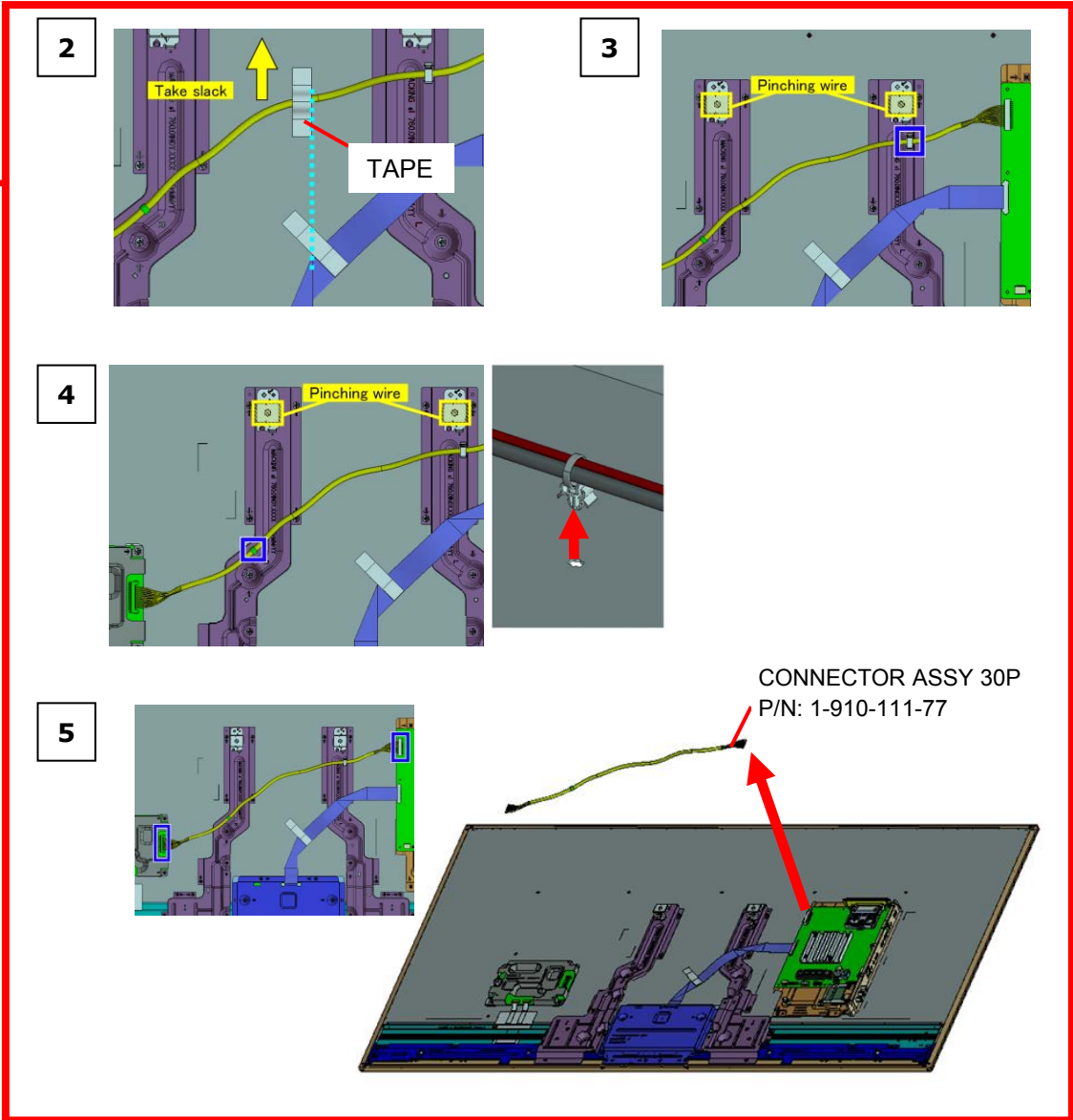
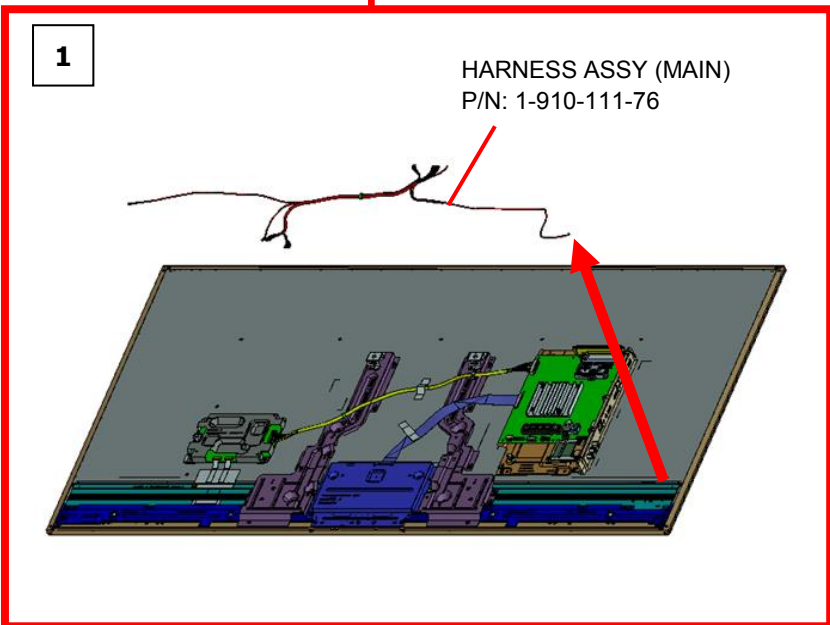
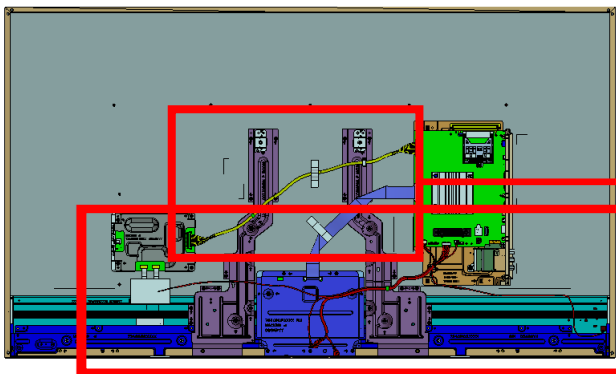


8



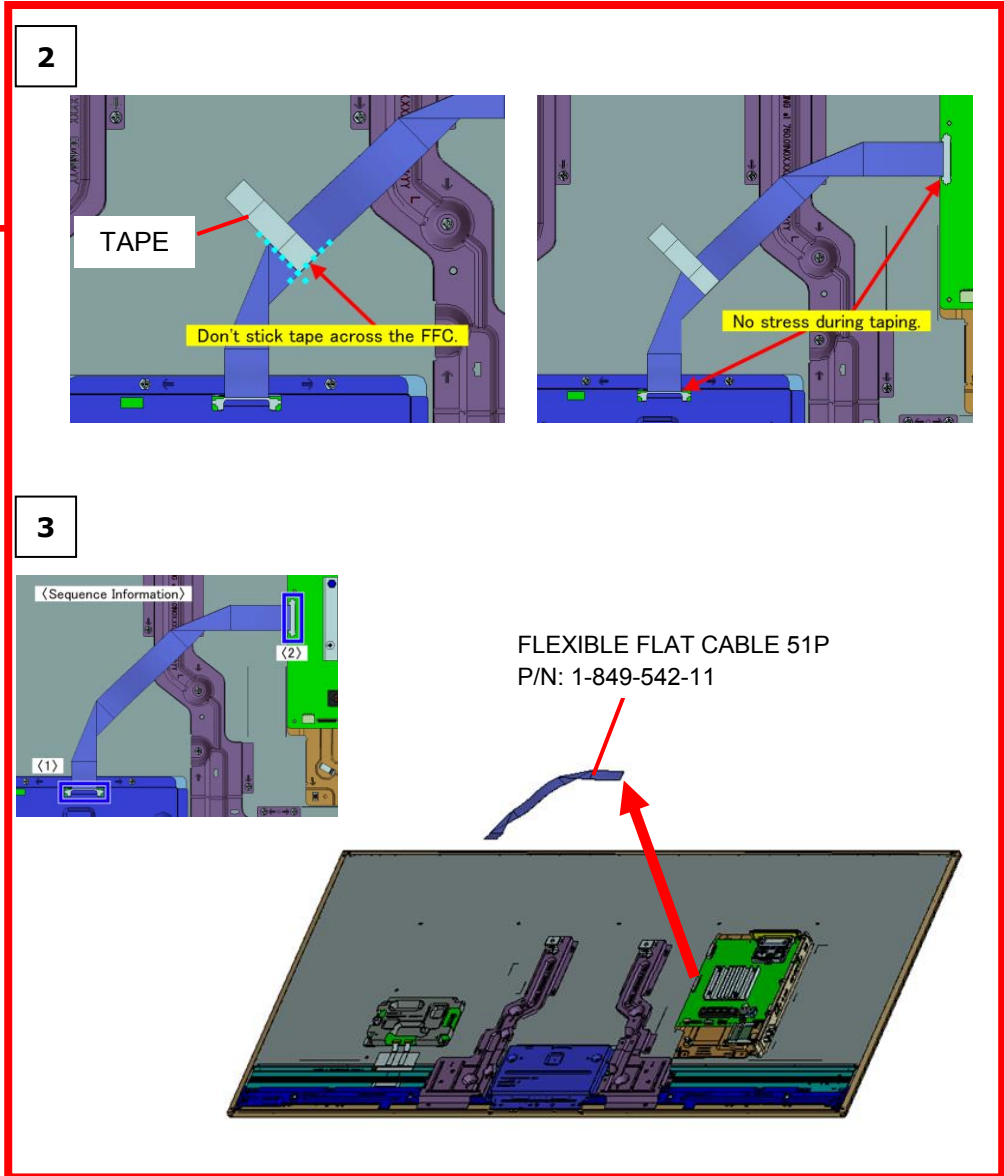
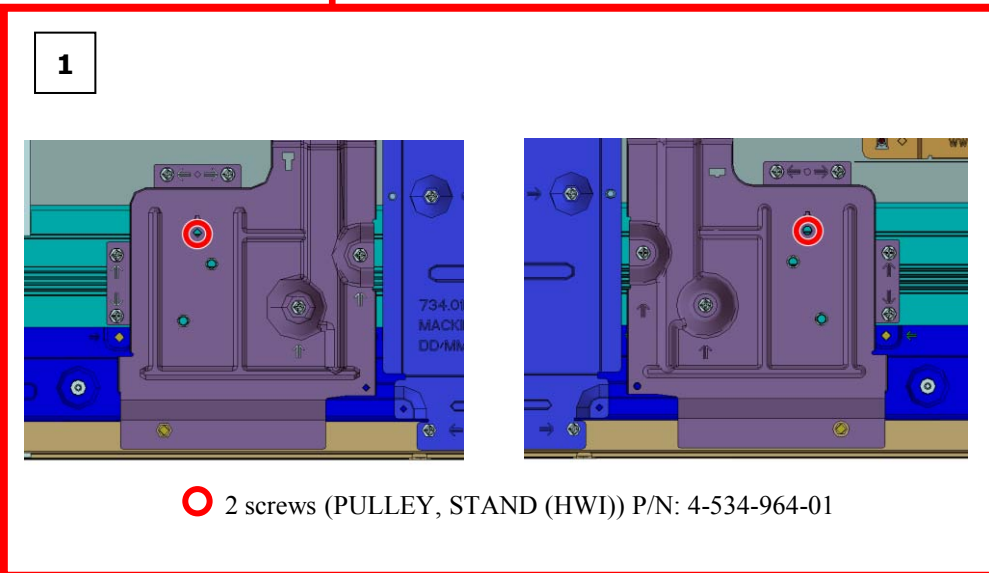
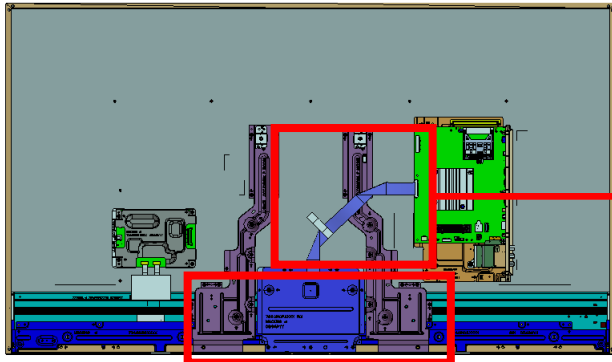
### 5. KD-55XD8005

#### 5-14. HARNESS ASSY (MAIN) AND WIRE DRESSING AND CONNECTOR ASSY 30P



## 5. KD-55XD8005

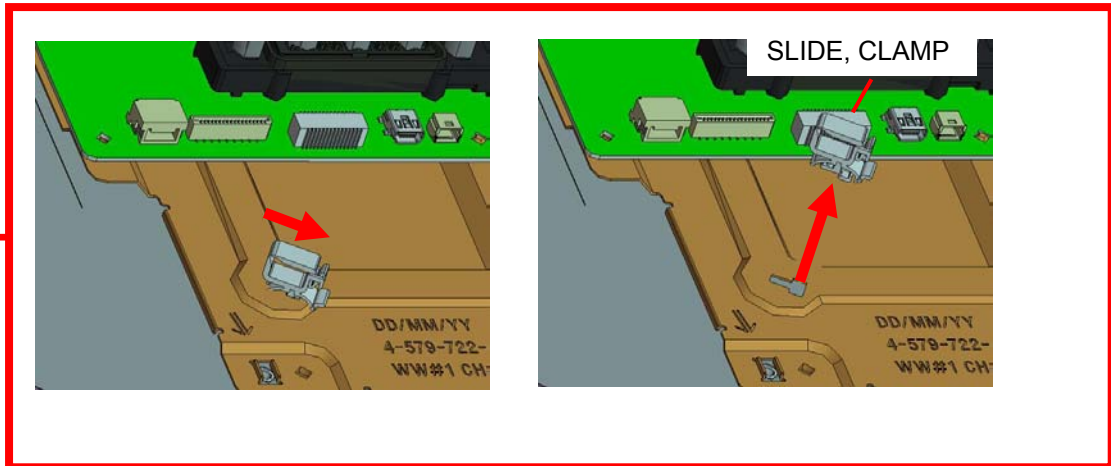
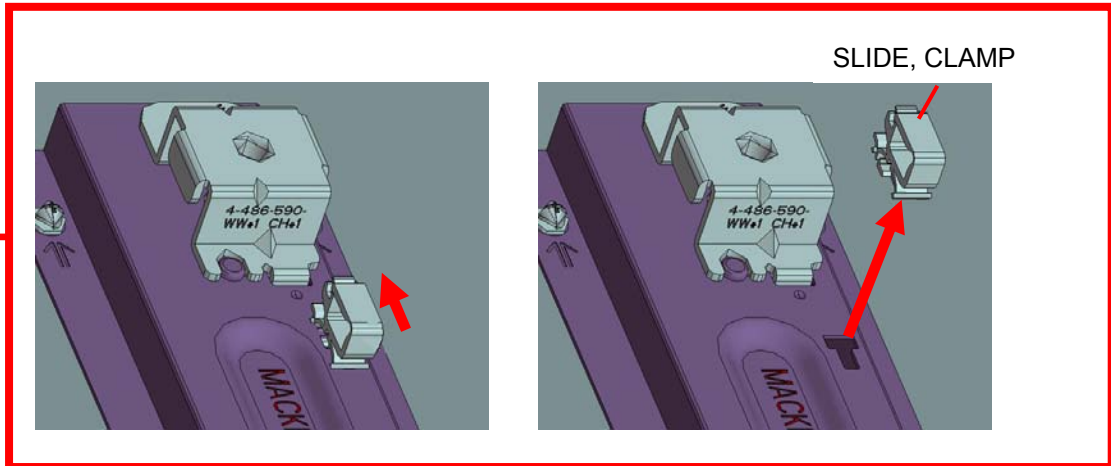
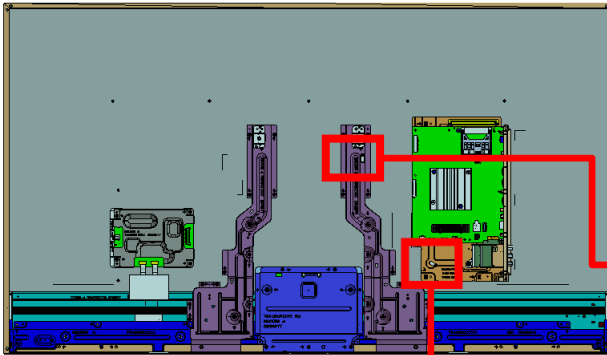
### 5-15. PULLEY, STAND (HWI) AND TAPE AND FLEXIBLE FLAT CABLE 51P





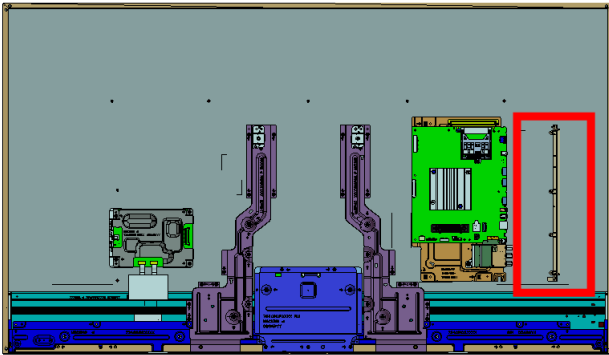
## 5. KD-55XD8005

### 5-16. SLIDE, CLAMP

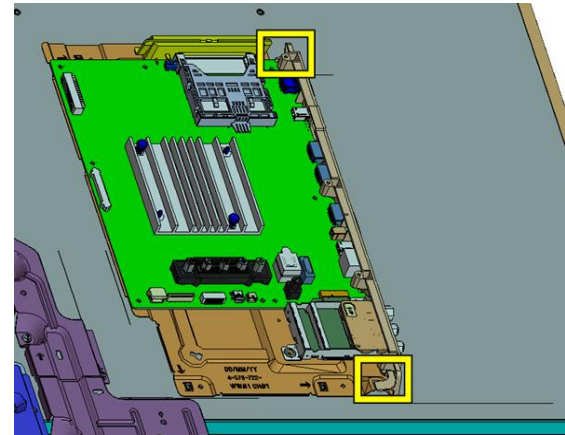


## 5. KD-55XD8005

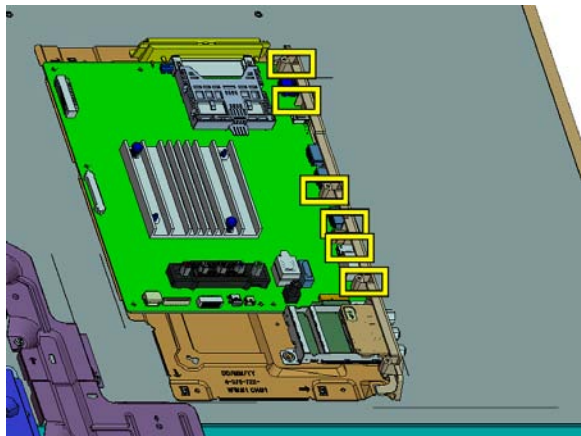
### 5-17. BRACKET, SIDE (PDT)



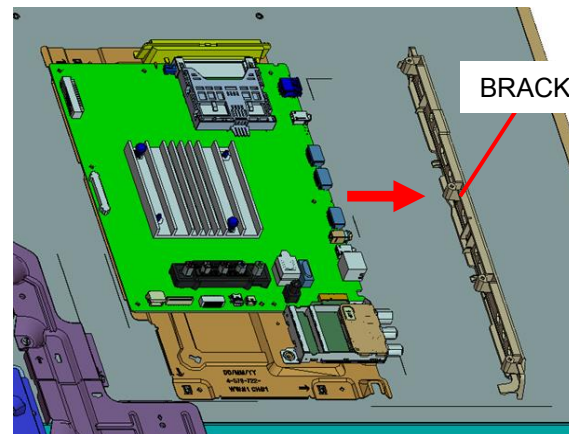
1



2

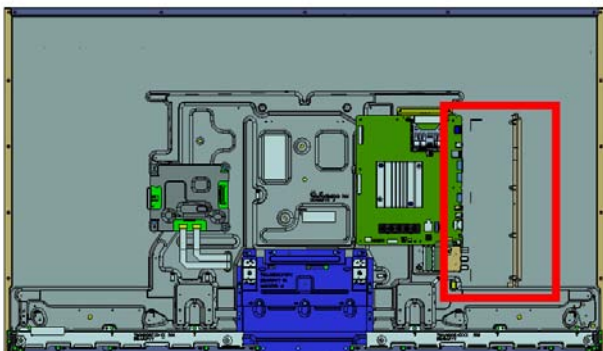


3

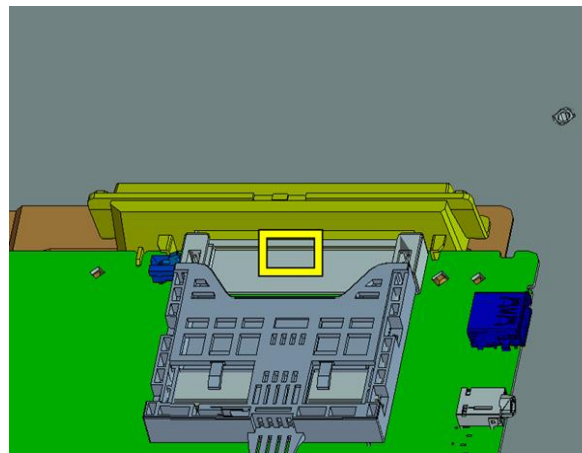


## 5. KD-55XD8005

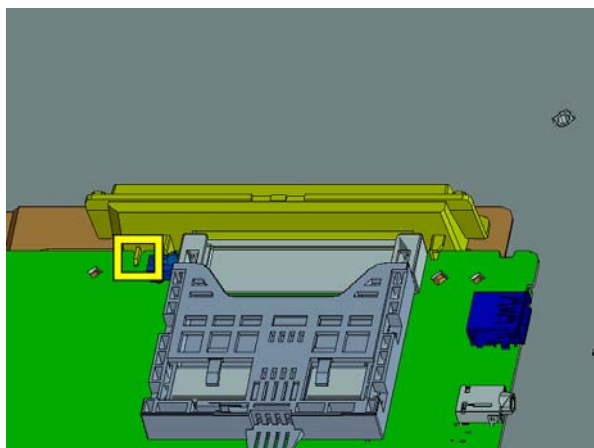
### 5-18. BRACKET, TOP FL (MOLD)



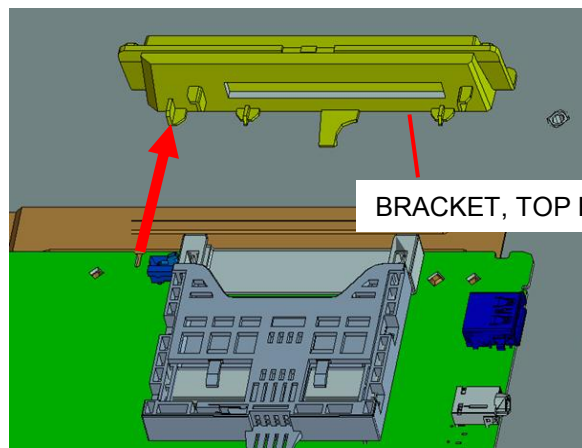
1



2



3

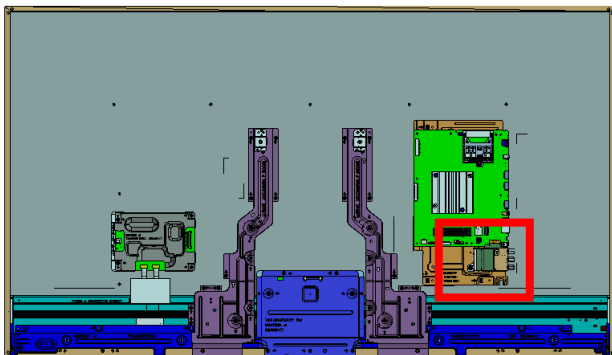


BRACKET, TOP FL (MOLD)

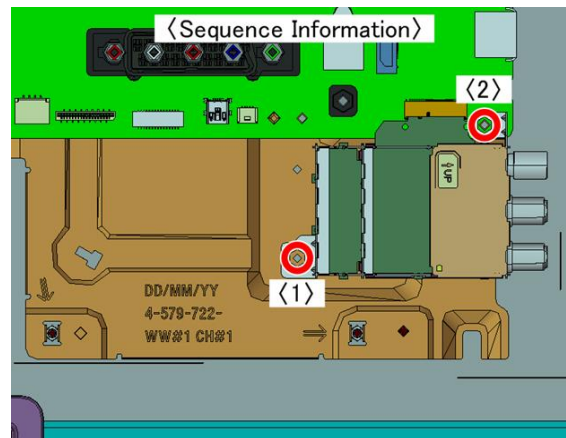
## 5. KD-55XD8005

### 5-19. UNIVERSAL SIL-TU

\* Please refer to "APPENDIX-3" for details.



1

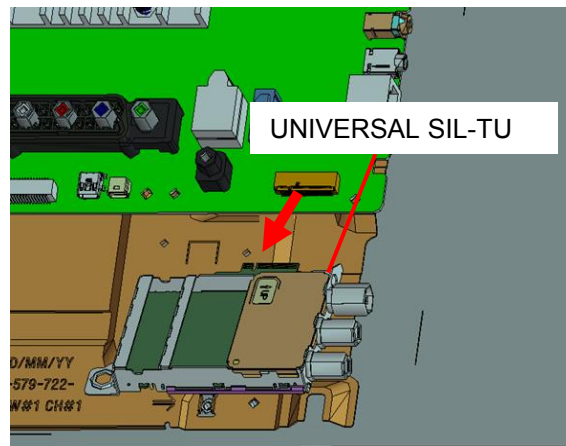


2 screws (SCREW, +PSW M3X6) P/N: 4-472-518-11

2

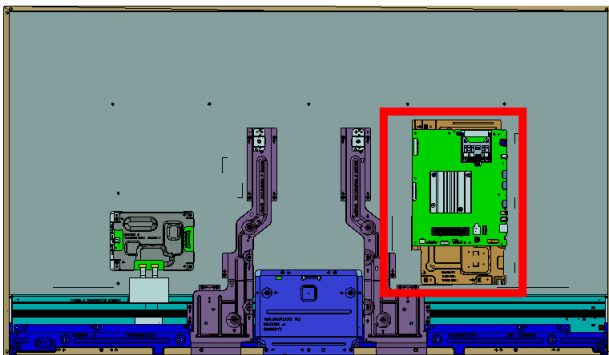


3

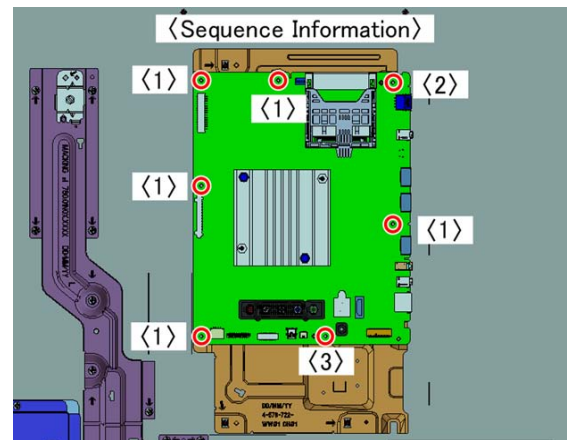


## 5. KD-55XD8005

### 5-20. BFM

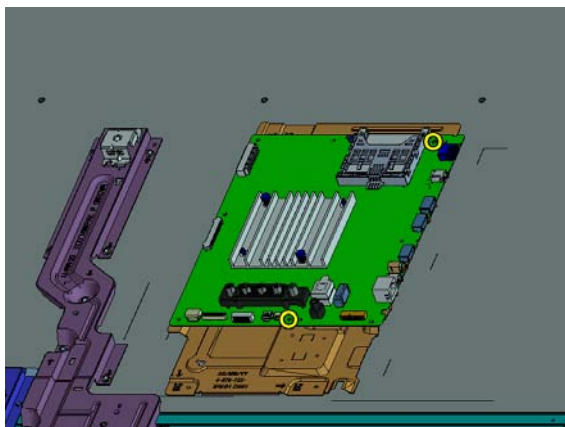


1

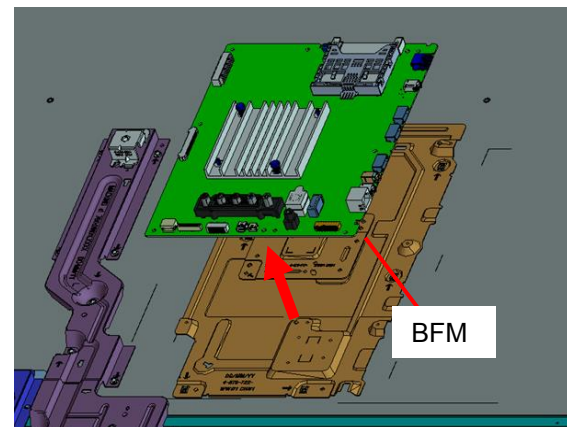


7 screws (SCREW, +PSW M3X6) P/N: 4-472-518-11

2

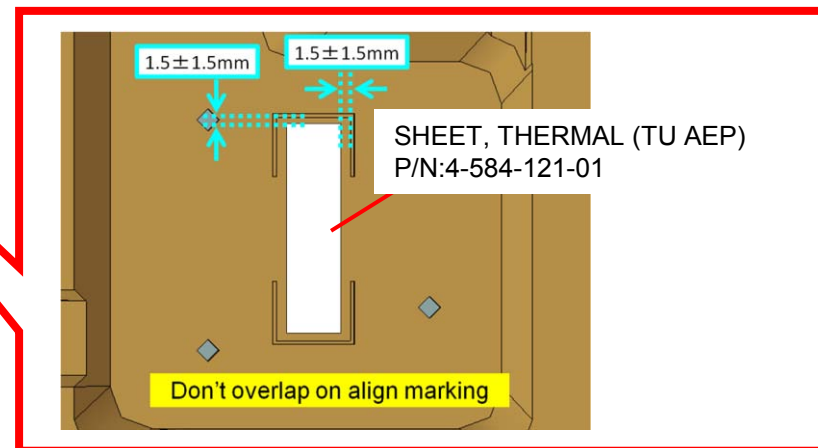
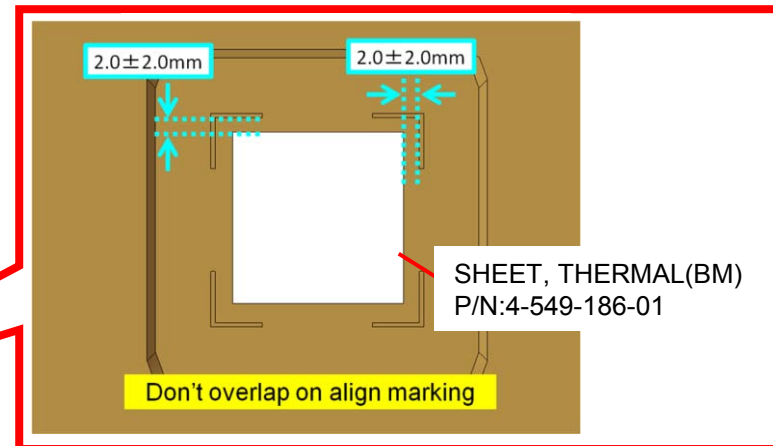
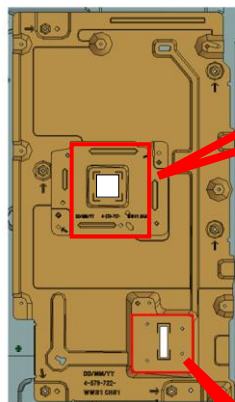
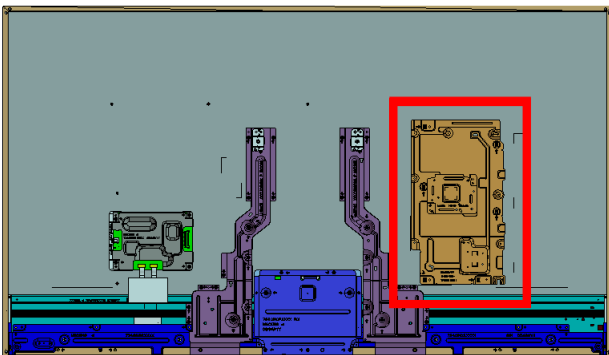


3

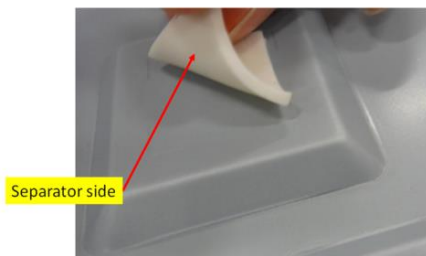


## 5. KD-55XD8005

### 5-21. SHEET, THERMAL(BM) AND SHEET, THERMAL (TU AEP)

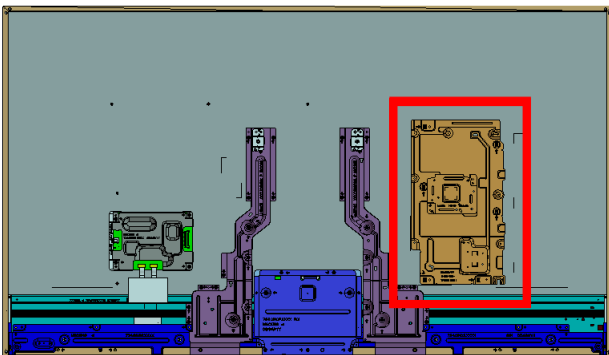


Be careful the side of SHEET THERMAL.

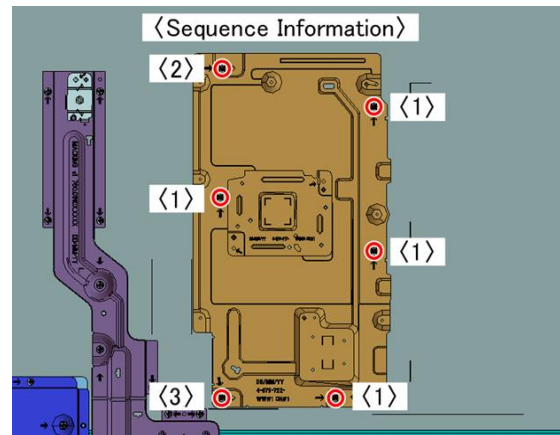


## 5. KD-55XD8005

### 5-22. PLATE, MAIN(OPL)

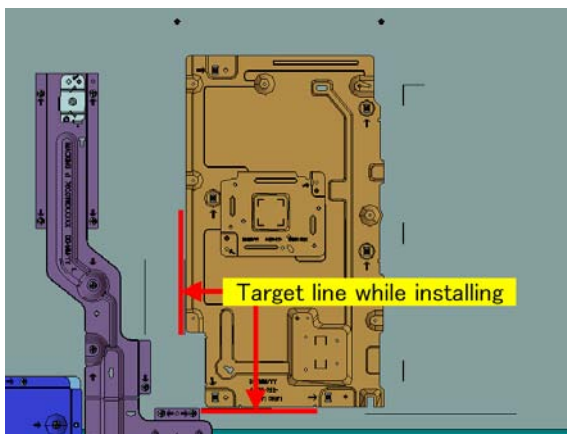


1

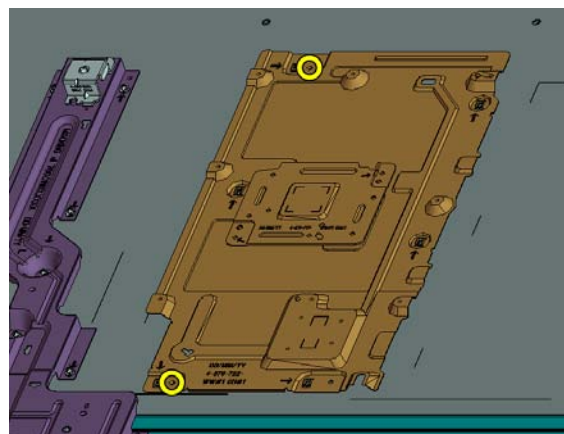


6 screws (SCREW, +PSW M3X6) P/N: 4-472-518-11

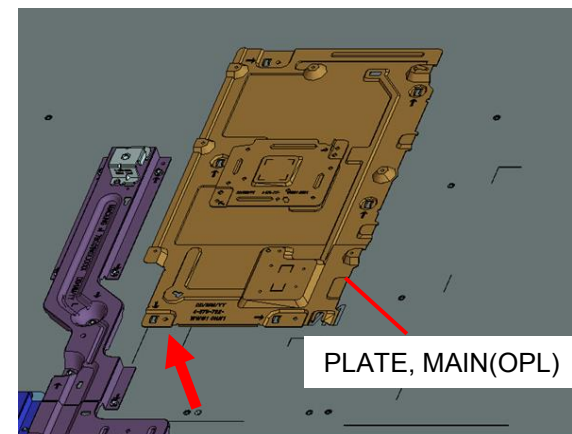
2



3

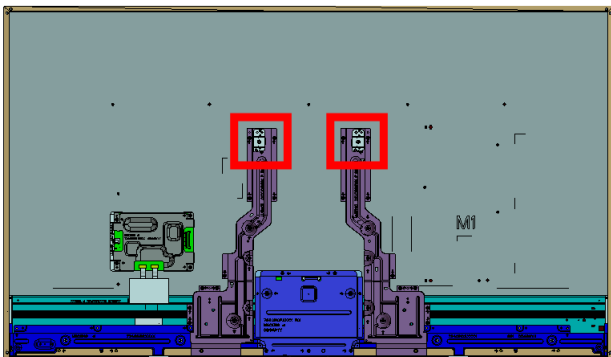


4

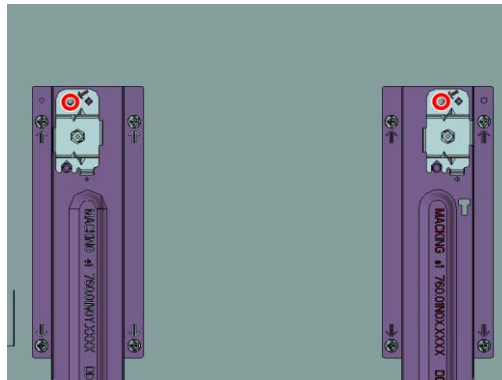


## 5. KD-55XD8005

### 5-23. BRACKET, VESA(MIA) AND SCREW AND LCD PANEL



1

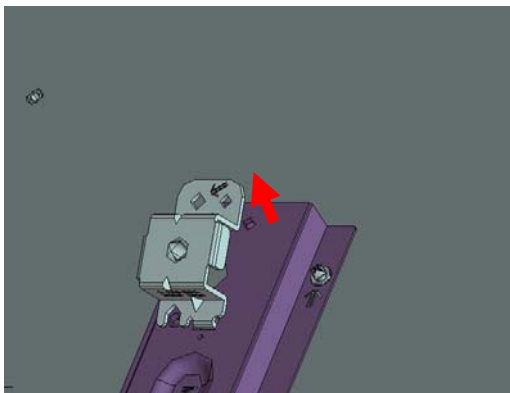


2

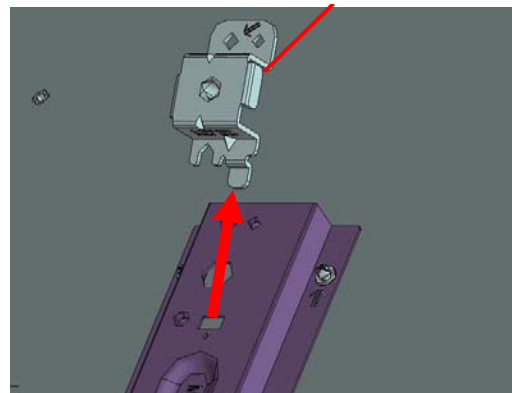


2 screws (SCREW, +PSW M4X10) P/N: 4-159-298-01

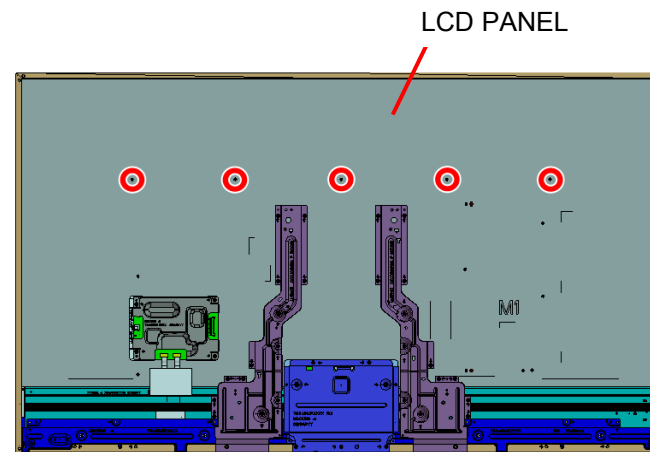
3



4



5

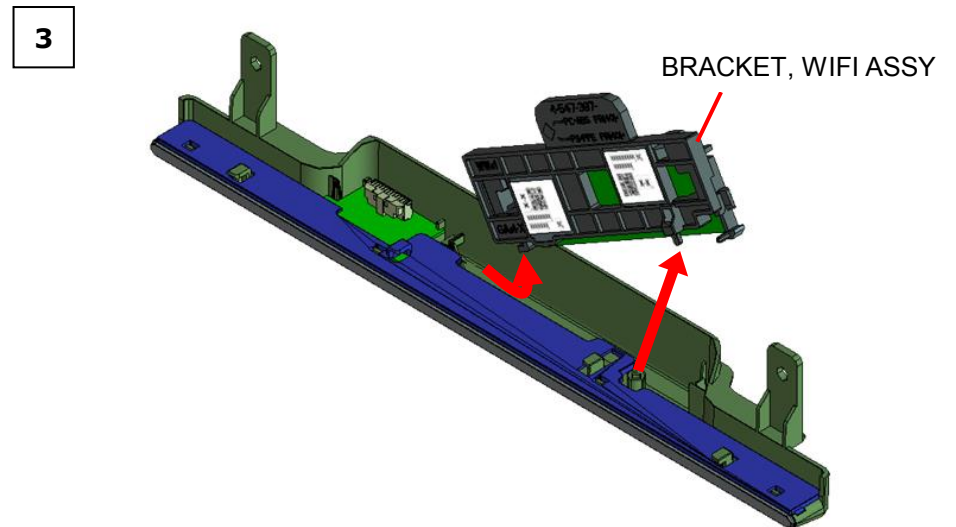
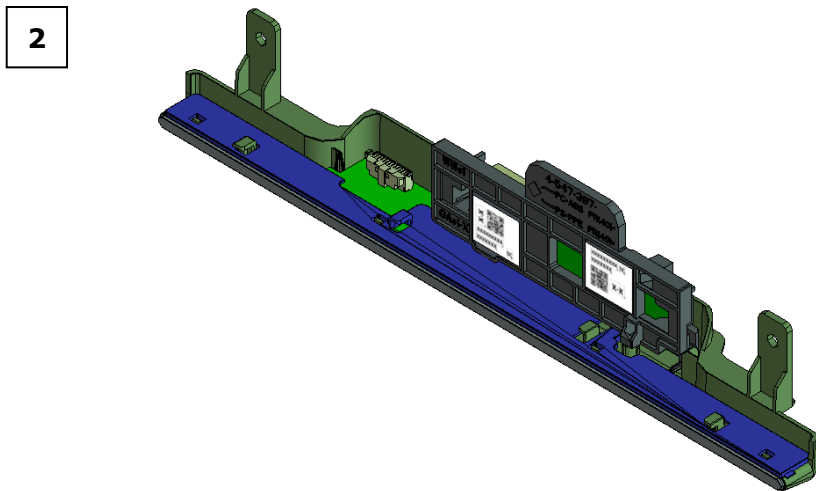
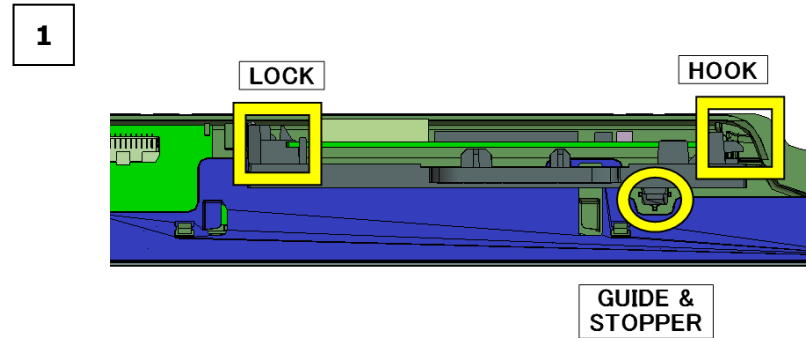
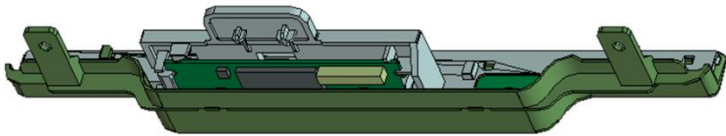


5 screws (SCREW M3X3.0 STEP) P/N: 4-579-926-01



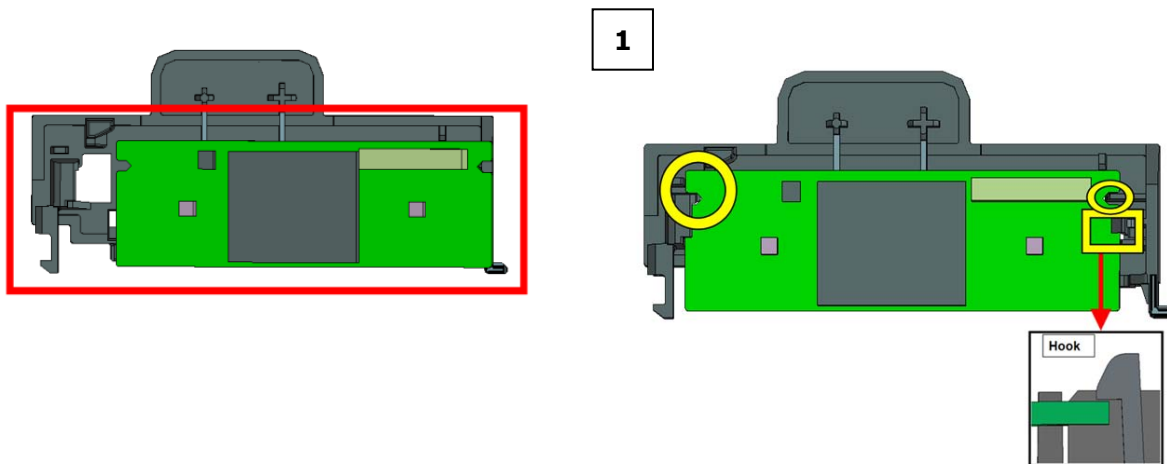
## 6. SMART CORE (S)

### 6-1. BRACKET, WIFI ASSY

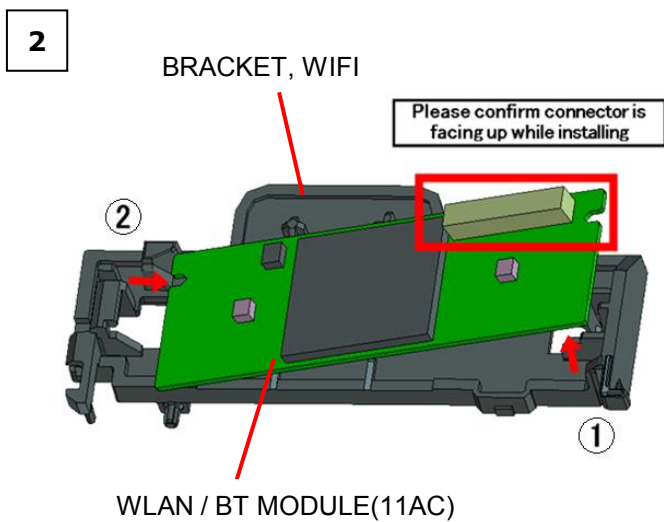
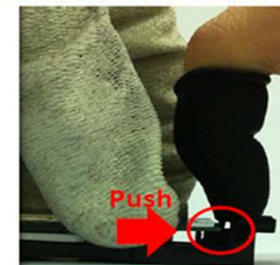


## 6. SMART CORE (S)

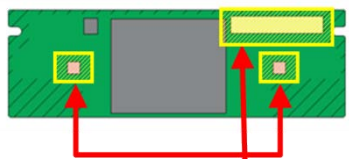
### 6-2. WLAN / BT MODULE(11AC) AND BRACKET, WIFI



**NOTE:** Please push hook with force  $\leq 5.0$  N to X-Direction while installing WLAN module  
 \*WLAN/BT module is confirmed locked when click sound is heard.



**NOTE:**



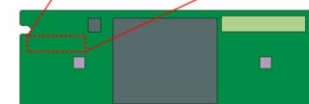
Caution!  
 Avoid to touch on this components and connector

**How to distinguish PWB for M1 and M2**

For M2  
 1-458-912-1\*



With printing  
 "H084.02"



For This Model

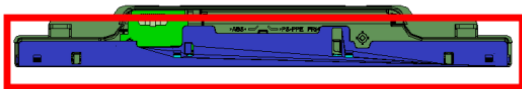
For M1  
 1-458-853-1\*

Without printing

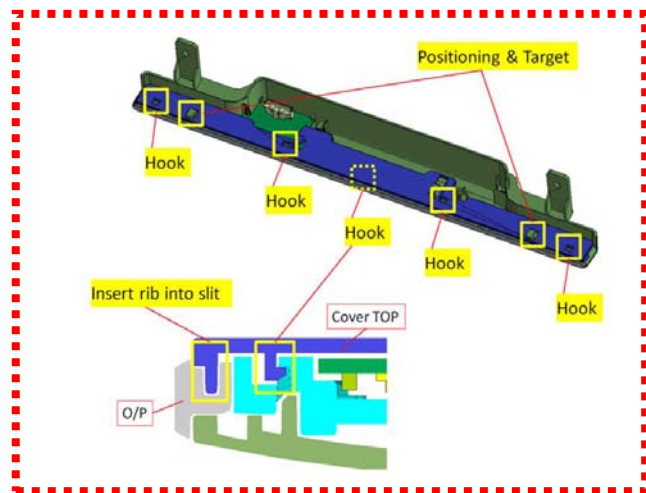
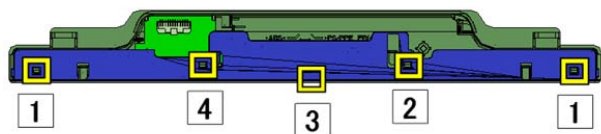


## 6. SMART CORE (S)

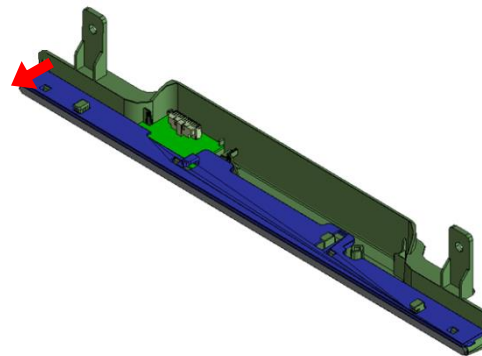
### 6-3. COVER, TOP



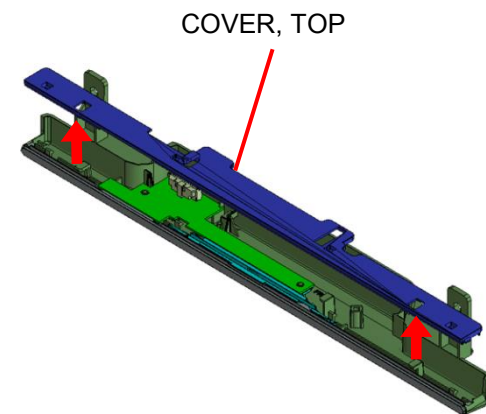
1



2

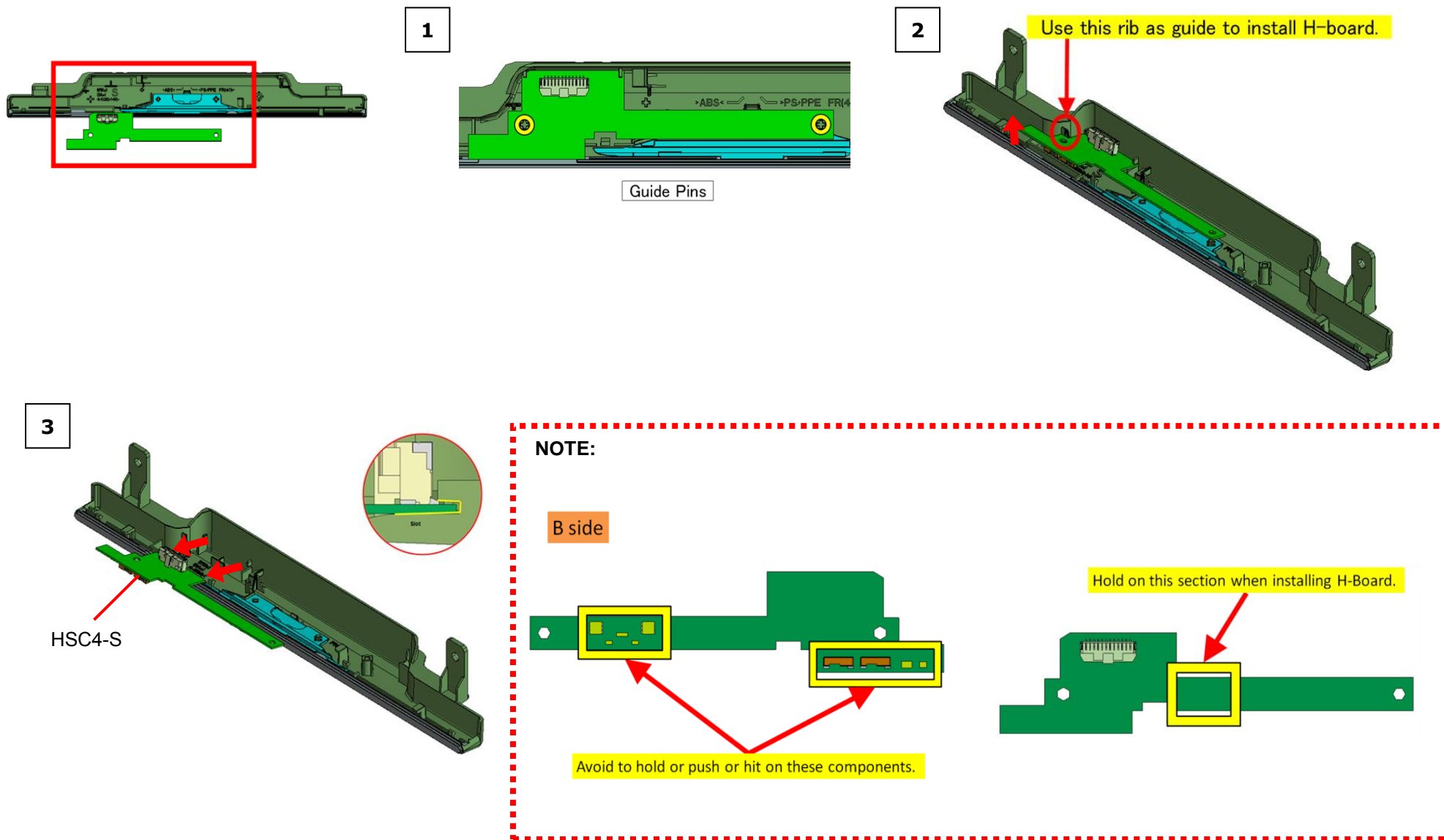


3



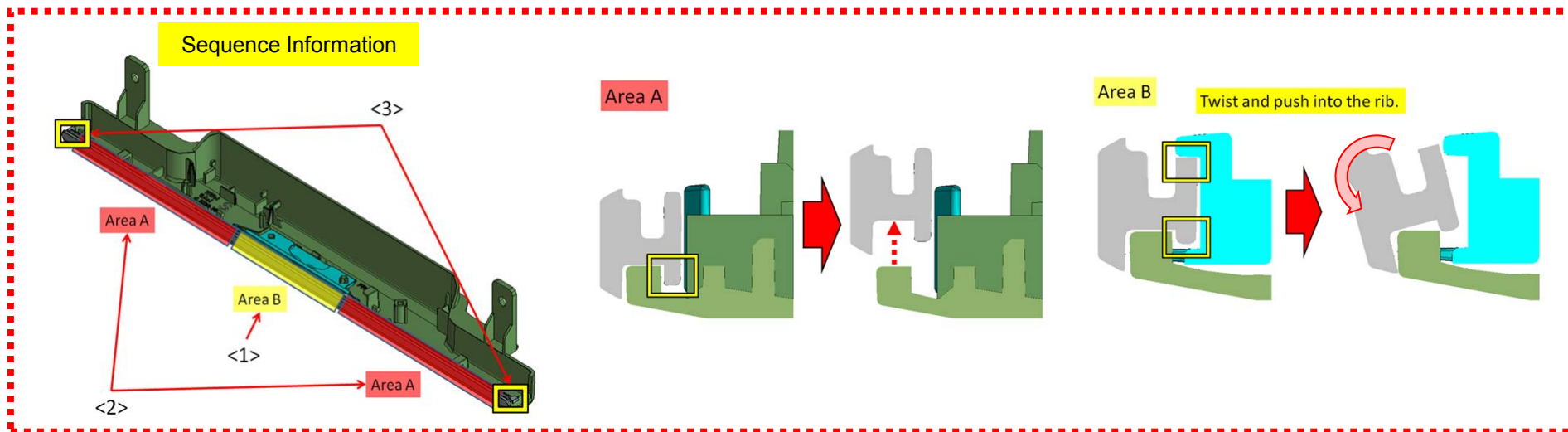
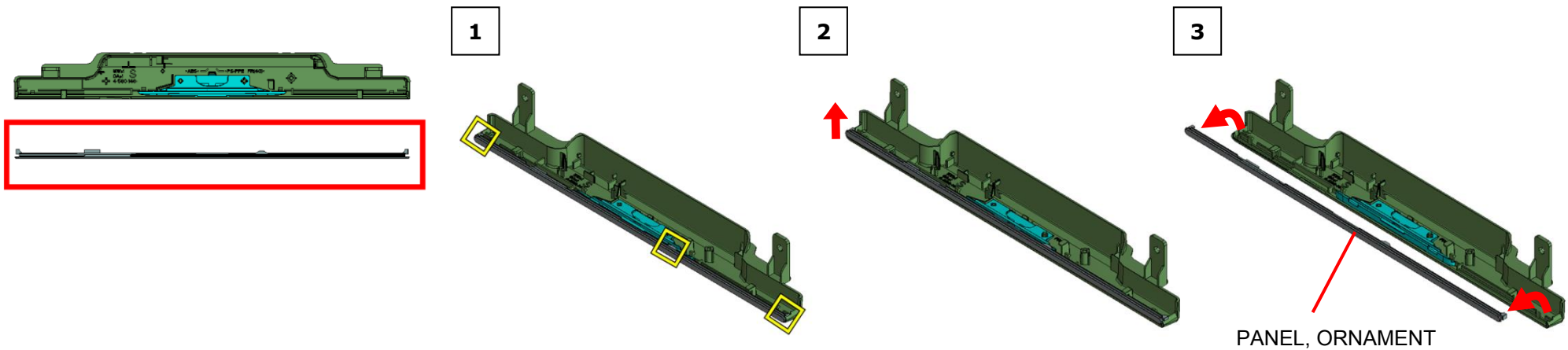
## 6. SMART CORE (S)

### 6-4. HSC4-S



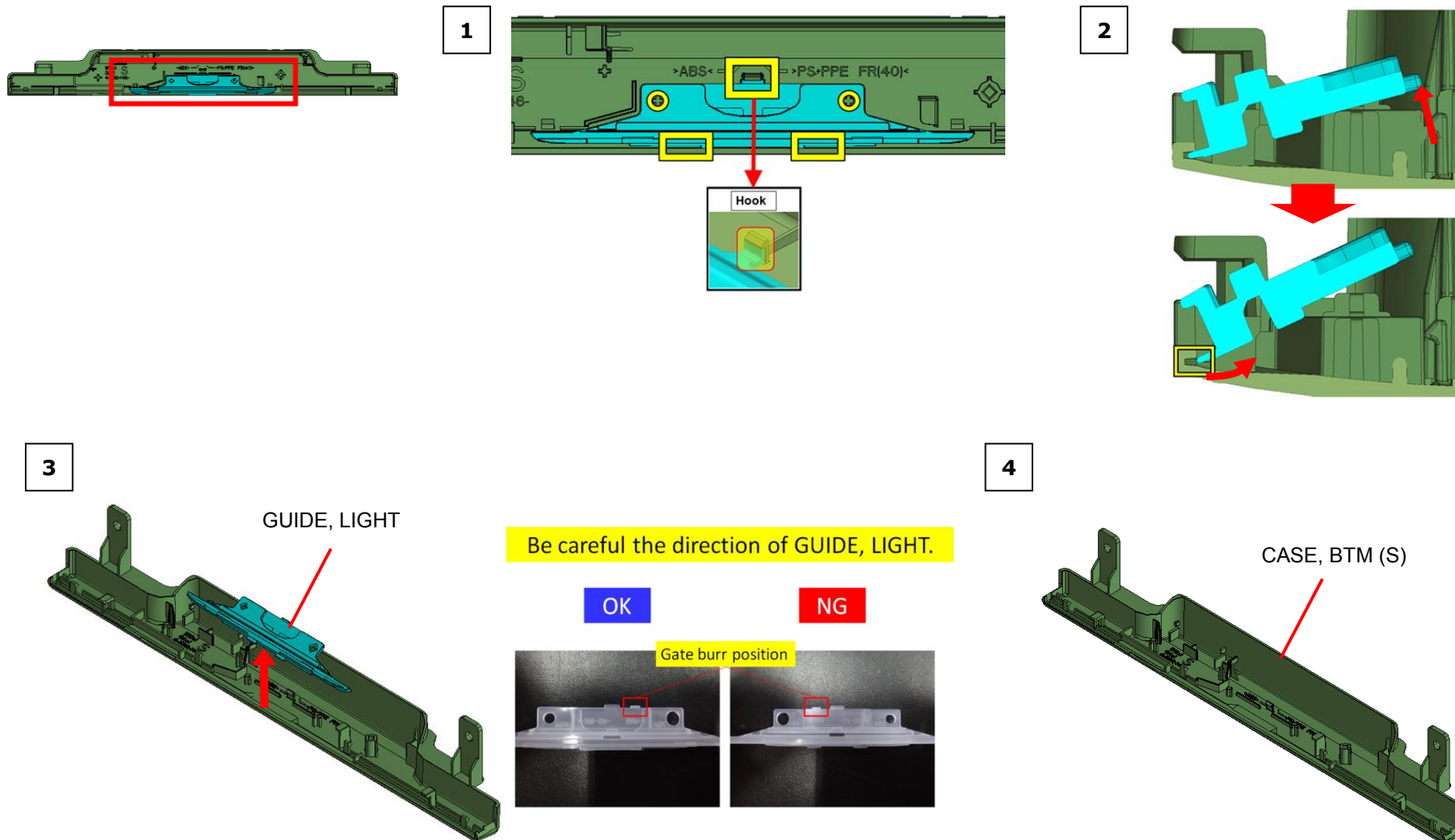
## 6. SMART CORE (S)

### 6-5. PANEL, ORNAMENT



## 6. SMART CORE (S)

### 6-6. GUIDE, LIGHT AND CASE, BTM (S)



# EXPLODED VIEWS

- Items with no part number and no description are not stocked because they are seldom required for routine service.
- The construction parts of an assembled part are indicated with a collation number in the remark column.
- Items marked " \* " are not stocked since they are seldom required for routine service. Some delay should be anticipated when ordering these items.

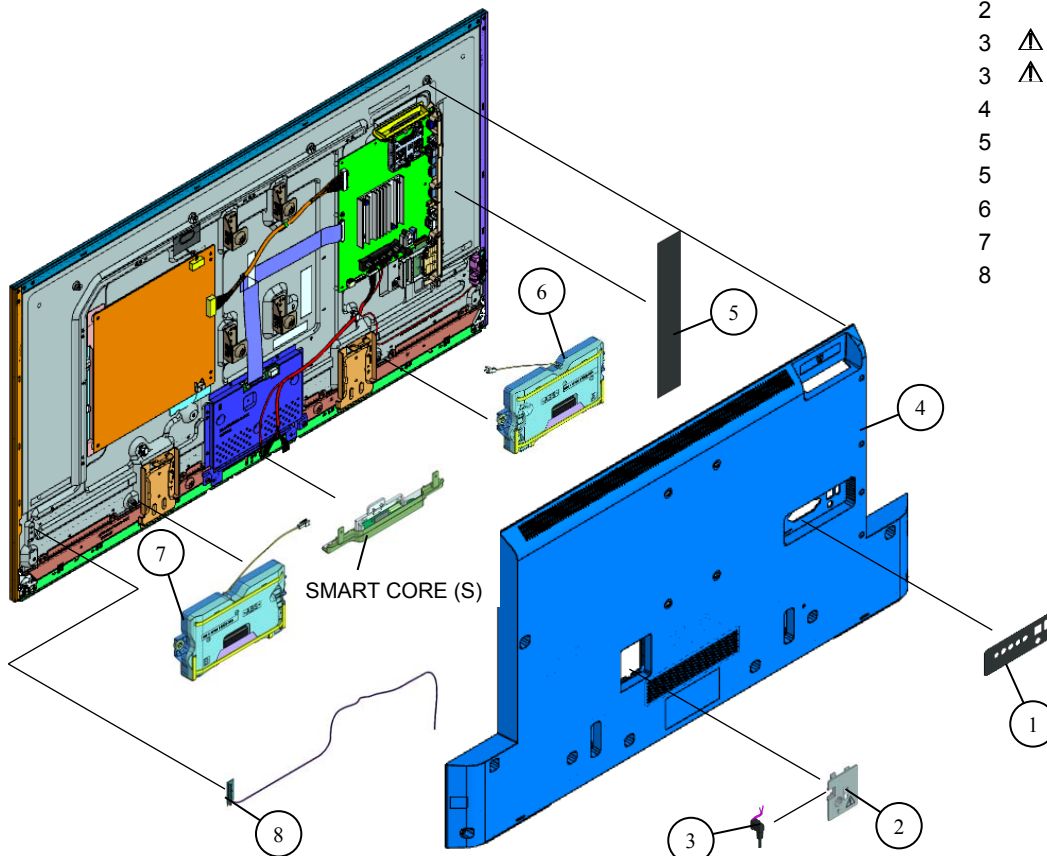
The components identified by shading and mark  $\Delta$  are critical for safety. Replace only with part number specified.

The components identified by mark  $\square$  contain confidential information. Strictly follow the instructions whenever the components are repaired and/or replaced.

## 1. KD-43XD8005/8077/8088/8099, FW-43XD8001

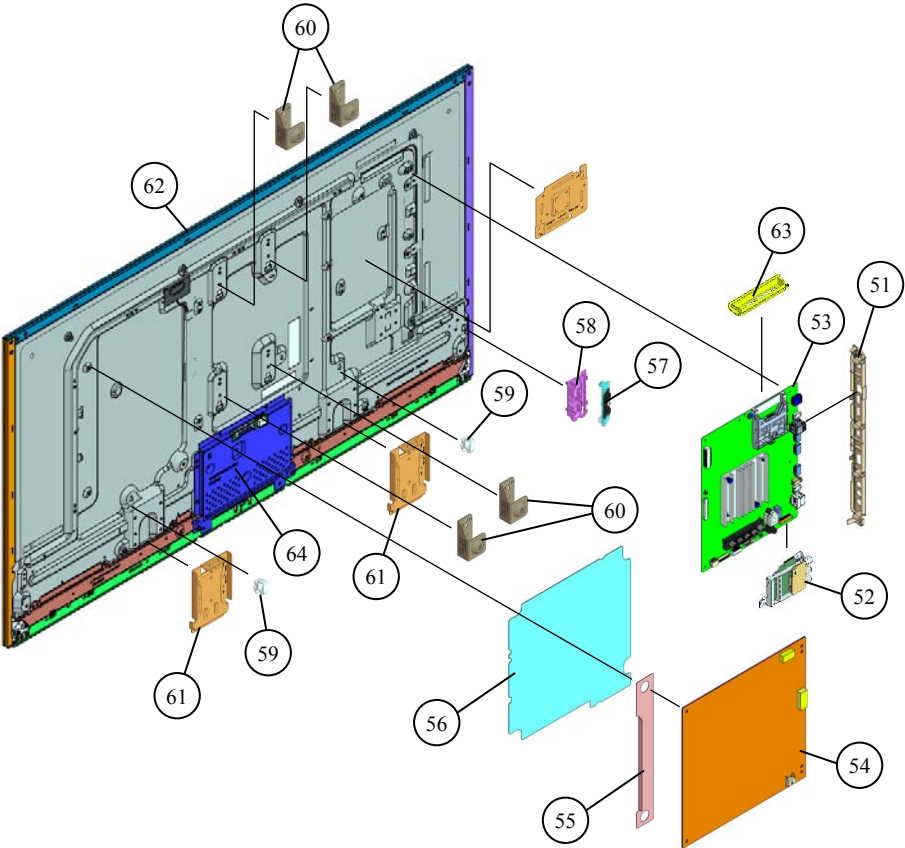
### REAR COVER

REF. No.	PART No.	DESCRIPTION	MARK
1	4-585-156-01	LABEL, REAR TERMINAL (PDT)	KD-43XD8005/8077/8088/8099
1	4-585-157-01	LABEL, REAR TERMINAL (PDT)	FW-43XD8001
2	4-297-989-01	AC COVER	
3	$\Delta$ 1-839-667-12	POWER-SUPPLY CORD (WITH CONN.)	UKA
3	$\Delta$ 1-839-691-12	POWER-SUPPLY CORD (WITH CONN.)	CEI/RU3
4	4-589-695-01	REAR COVER (SM_PDT) A	
5	4-581-504-11	LABEL, SIDE TERMINAL (PDT)	CEI/RU3
5	4-581-504-21	LABEL, SIDE TERMINAL (PDT)	UKA
6	1-859-141-11	SP-BOX ASSY, W25(S)-KA	
7	1-859-141-21	SP-BOX ASSY, W25(S)-KB	
8	1-754-975-11	BT ANTENNA	



**1. KD-43XD8005/8077/8088/8099, FW-43XD8001**

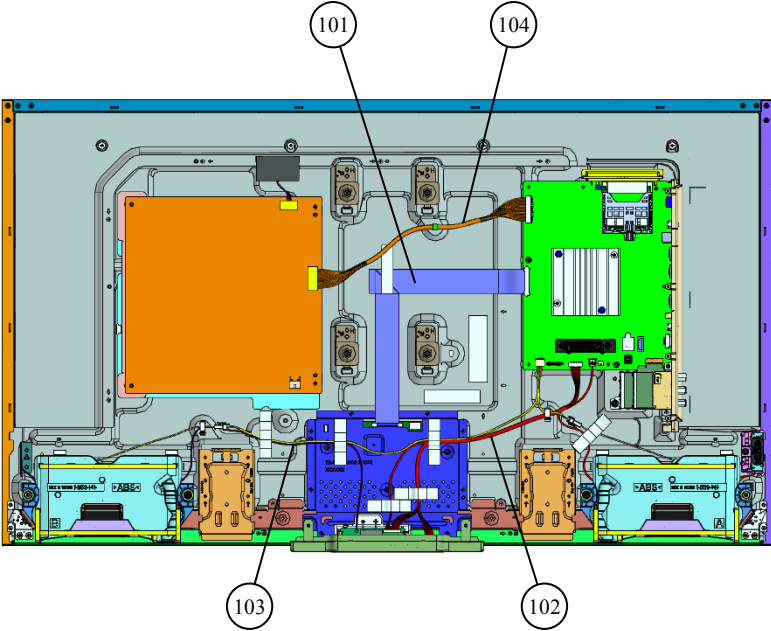
**LCD PANEL**



REF. No.	PART No.	DESCRIPTION	MARK
51	4-579-710-31	BRACKET, SIDE (PDT)	CEI/RU3
51	4-579-710-41	BRACKET, SIDE (PDT)	UKA
52	8-594-305-00	UNIVERSAL SIL-TU SUT-CE543ZP	
53	A-2094-454-A	COMPL SVC BFM_EU_CI_I_G	KD-43XD8005/8077/8088/8099:UKA
53	A-2094-456-A	COMPL SVC BFM_EU_CI_G	KD-43XD8005/8077/8088/8099:CEI
			KD-43XD8077/8099:RU3
53	A-2094-458-A	COMPL SVC BFM_EU_CI_I_S_G	FW-43XD8001:UKA
53	A-2094-460-A	COMPL SVC BFM_EU_CI_S_G	FW-43XD8001:CEI
54	1-474-649-11	GL4H(CH)-STATIC CONVERTER(TV)	
55	4-594-739-11	SHEET, INSULATION(PDT SM WALL)	
56	4-584-498-01	SHEET, INSULATION (PDT SM)	
57	1-474-647-12	SWITCH UNIT (3M-P)	
58	4-579-994-01	HOLDER SIDE SW (PDT)	
* 59	2-650-770-21	SLIDE, CLAMP	
* 60	4-532-603-03	BRACKET, VESA (2L HWI)	
* 61	4-579-653-01	BRACKET, STD(ML_PDT)	
62	1-812-233-11	LCD PANEL(A43QVFS)	KD-43XD8077
62	1-812-235-11	LCD PANEL(A43QVFB)	KD-43XD8005/8088/8099
			FW-43XD8001
63	4-546-441-11	BRACKET, TOP FL (MOLD)	
64	1-897-016-11	CONTROL MT BOARD (T-Con)	Under metal cover, Please refer to the page 16 for copying T-Con data



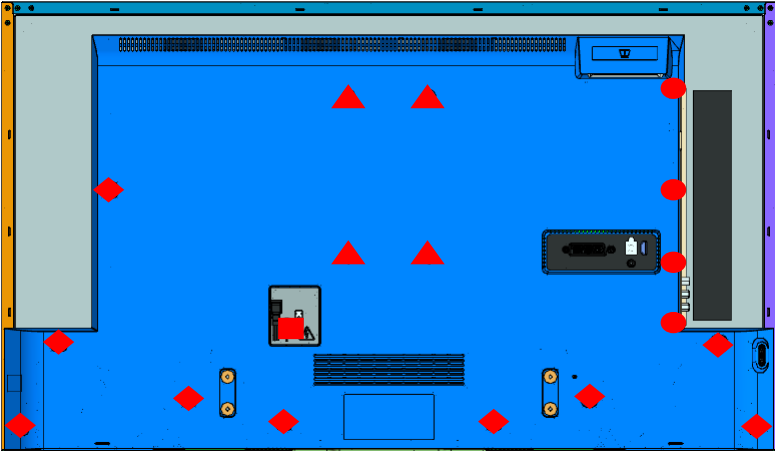
**1. KD-43XD8005/8077/8088/8099, FW-43XD8001**  
**CONNECTORS**



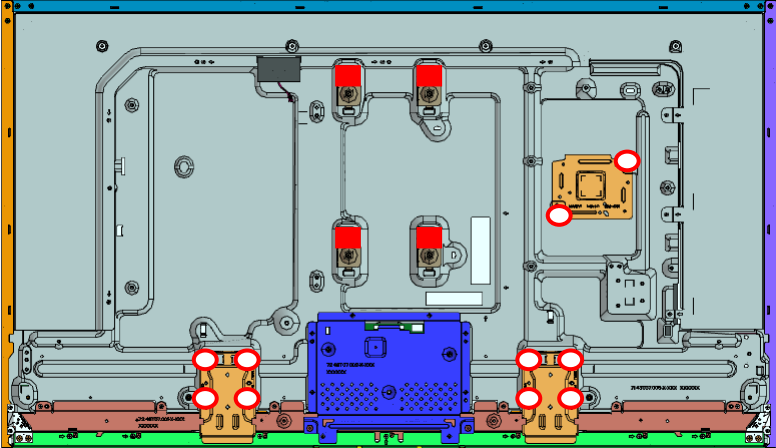
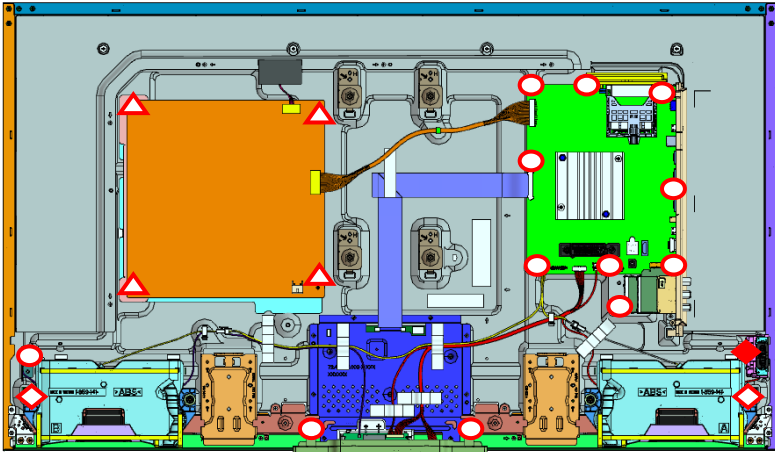
REF.NO.	PART No.	DESCRIPTION	MARK
101	1-849-395-11	FLEXIBLE FLAT CABLE 51P	CN3800(BFM)-TCON (1)
102	1-910-110-98	HARNESS ASSY (MAIN)	CN1001(BMFW)-CN001(HSC4)-WIFI-SM (1)
103	1-910-110-99	CONNECTOR ASSY 4P	CN3202(BFM)-SP (1)
104	1-910-111-00	CONNECTOR ASSY 28P	CN6401(GL4H)-CN400(BFM)-TCON (1)

1. KD-43XD8005/8077/8088/8099, FW-43XD8001

SCREWS



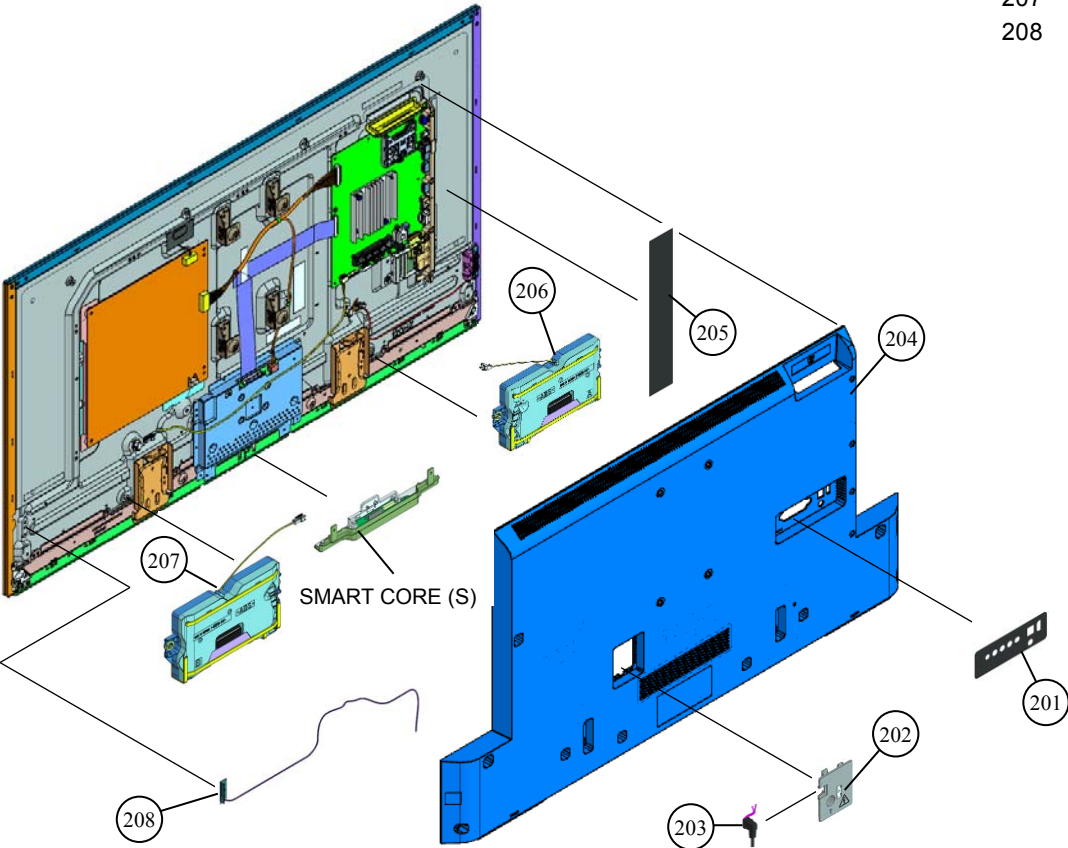
REF.	DESCRIPTION	PART No.
■	SCREW +PSW M4X10	4-159-298-01
●	SCREW +BVTP 3X10 TYPE2 IT-3	7-685-647-79
○	SCREW, +PSW M3X6	4-472-518-11
◆	SCREW M3X3.0 STEP	4-579-926-01
▲	SCREW, ORNAMENTAL M6X12	4-268-126-02
△	SCREW, +PSW M3X6 W12	4-256-393-12
◇	PULLEY, SP(PDT)	4-579-924-01



**2. KD-43XD8305**

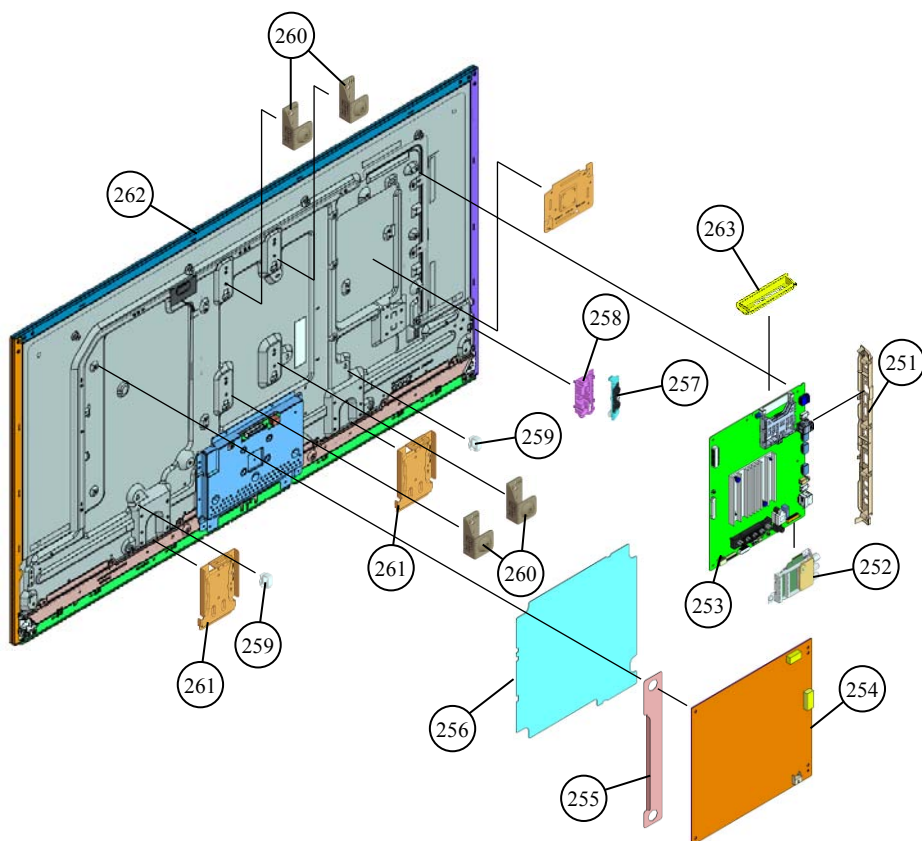
**REAR COVER**

REF. No.	PART No.	DESCRIPTION	MARK
201	4-585-156-01	LABEL, REAR TERMINAL (PDT)	
202	4-297-989-01	AC COVER	
203	△ 1-839-667-12	POWER-SUPPLY CORD (WITH CONN.)	FOR UKA
203	△ 1-839-691-12	POWER-SUPPLY CORD (WITH CONN.)	FOR CEI/RU3
204	4-589-695-01	REAR COVER (SM_PDT) A	
205	4-581-504-11	LABEL, SIDE TERMINAL(PDT)	FOR CEI/RU3
205	4-581-504-21	LABEL, SIDE TERMINAL(PDT)	FOR UKA
206	1-859-141-11	SP-BOX ASSY, W25(S)-KA	
207	1-859-141-21	SP-BOX ASSY, W25(S)-KB	
208	1-754-975-11	BT ANTENNA	



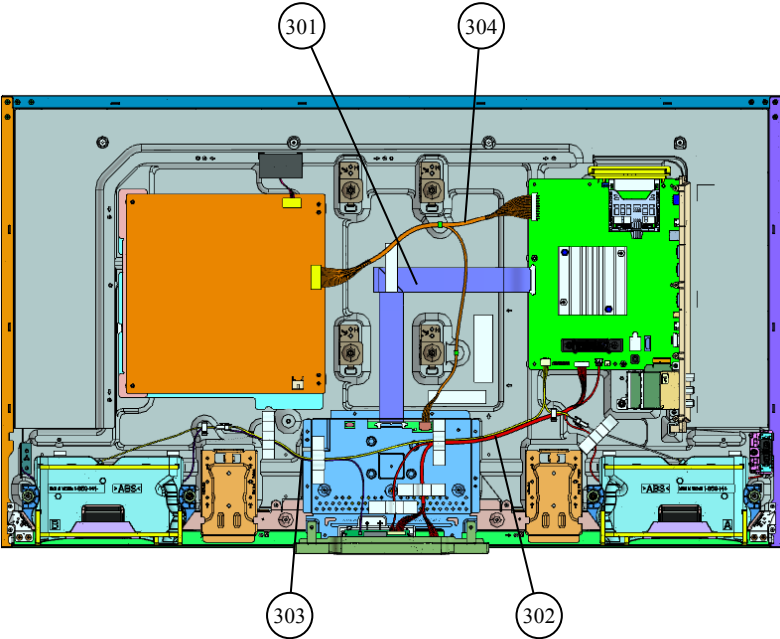
## 2. KD-43XD8305

### LCD PANEL



REF. No.	PART No.	DESCRIPTION	MARK
251	4-579-710-31	BRACKET, SIDE (PDT)	FOR CEI/RU3
251	4-579-710-41	BRACKET, SIDE (PDT)	FOR UKA
252	8-594-305-00	UNIVERSAL SIL-TU SUT-CE543ZP	
253	A-2094-454-A	COMPL SVC BFM_EU_CI_I_G	FOR UKA
253	A-2094-456-A	COMPL SVC BFM_EU_CI_G	FOR CEI,RU3
254	1-474-649-11	GL4H(CH)-STATIC CONVERTER(TV)	
255	4-594-739-11	SHEET, INSULATION(PDT SM WALL)	
256	4-584-498-01	SHEET, INSULATION (PDT SM)	
257	1-474-647-12	SWITCH UNIT (3M-P)	
258	4-579-994-01	HOLDER SIDE SW (PDT)	
*	259	2-650-770-21	SLIDE, CLAMP
*	260	4-532-603-03	BRACKET, VESA (2L HWI)
*	261	4-579-653-01	BRACKET, STD(ML_PDT)
262	1-812-270-21	LCD PANEL(D43QF58B)	
263	4-546-441-11	BRACKET, TOP FL (MOLD)	

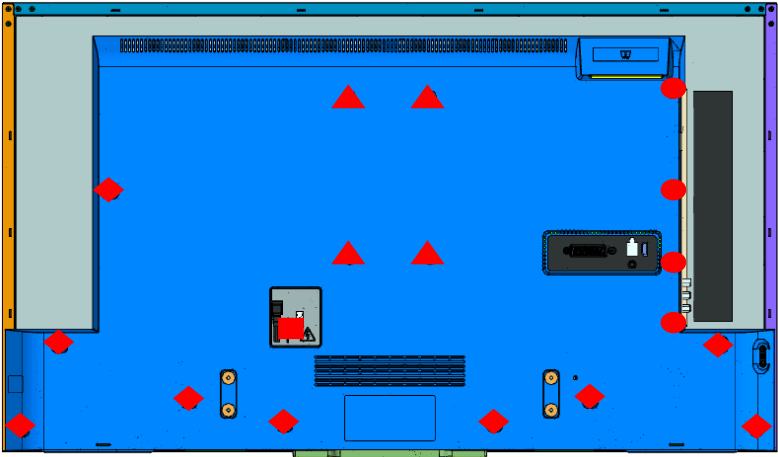
2. KD-43XD8305  
CONNECTORS



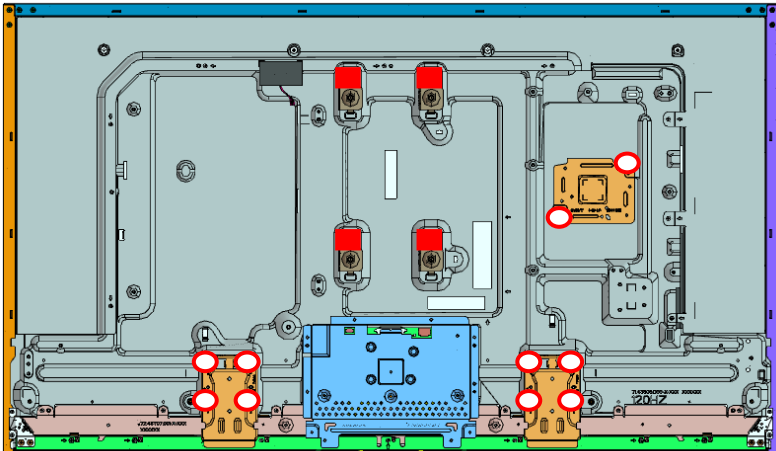
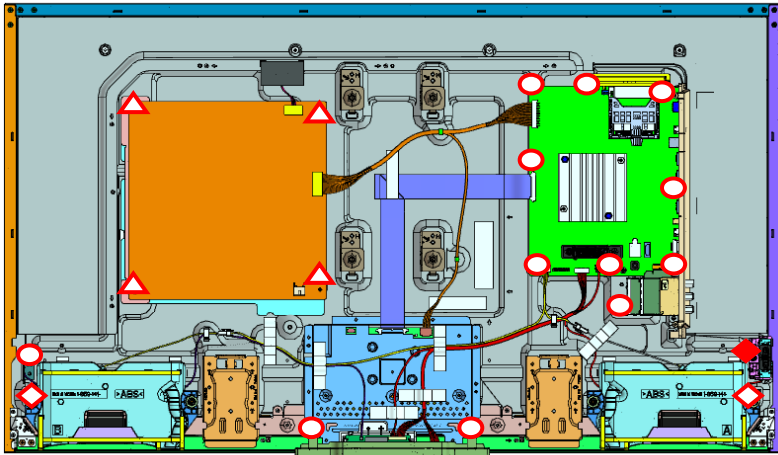
REF.NO.	PART No.	DESCRIPTION	MARK
301	1-849-395-11	FLEXIBLE FLAT CABLE 51P	CN3800(BFM)-TCON (1)
302	1-910-110-98	HARNESS ASSY (MAIN)	CN1000(BFM)-CN001(HSC4)-WIFI-SM (1)
303	1-910-110-99	CONNECTOR ASSY 4P	CN3202(BFM)-SP (1)
304	1-910-111-72	CONNECTOR ASSY 28P	CN6401(GL4H)-CN400(BFM)-TCON (1)

2. KD-43XD8305

SCREWS



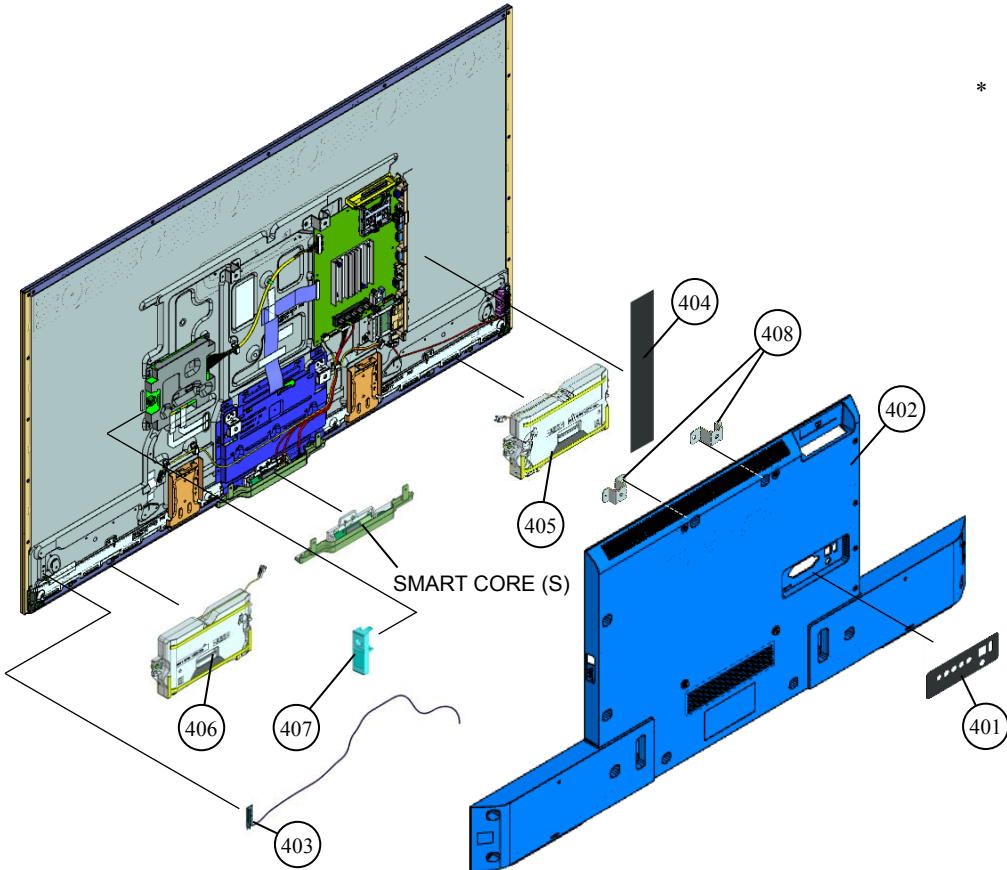
REF.	DESCRIPTION	PART No.
■	SCREW +PSW M4X10	4-159-298-01
●	SCREW +BVTP 3X10 TYPE2 IT-3	7-685-647-79
○	SCREW, +PSW M3X6	4-472-518-11
◆	SCREW M3X3.0 STEP	4-579-926-01
▲	SCREW, ORNAMENTAL M6X12	4-268-126-02
△	SCREW, +PSW M3X6 W12	4-256-393-12
◇	PULLEY, SP(PDT)	4-579-924-01



3. KD-49XD8005/8077/8088/8099, FW-49XD8001

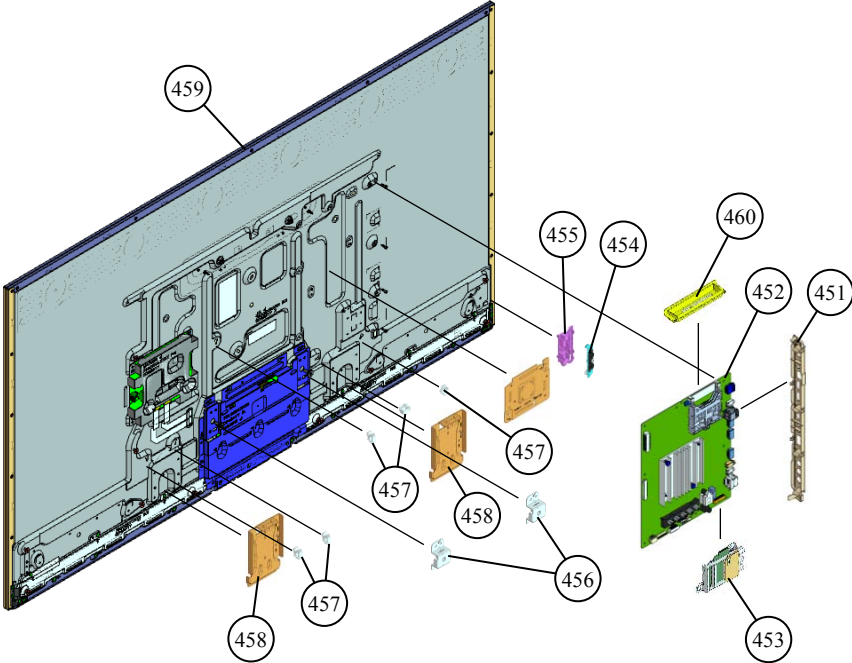
REAR COVER

REF. No.	PART No.	DESCRIPTION	MARK
401	4-585-156-01	LABEL, REAR TERMINAL (PDT)	KD-49XD8005/8077/8088/8099
401	4-585-157-01	LABEL, REAR TERMINAL (PDT)	FW-49XD8001
402	4-589-697-01	REAR COVER (ML_PDT) A	
403	1-754-975-11	BT ANTENNA	
404	4-581-504-11	LABEL, SIDE TERMINAL(PDT)	CEI/RU3
404	4-581-504-21	LABEL, SIDE TERMINAL(PDT)	UKA
405	1-859-139-11	SP-BOX ASSY, W25(S)-EA	
406	1-859-139-21	SP-BOX ASSY, W25(S)-EB	
407	4-580-890-01	BRACKET, DC JACK (PDT)	
*	408	4-297-468-02	BRACKET, VESA



**3. KD-49XD8005/8077/8088/8099, FW-49XD8001**

**LCD PANEL**

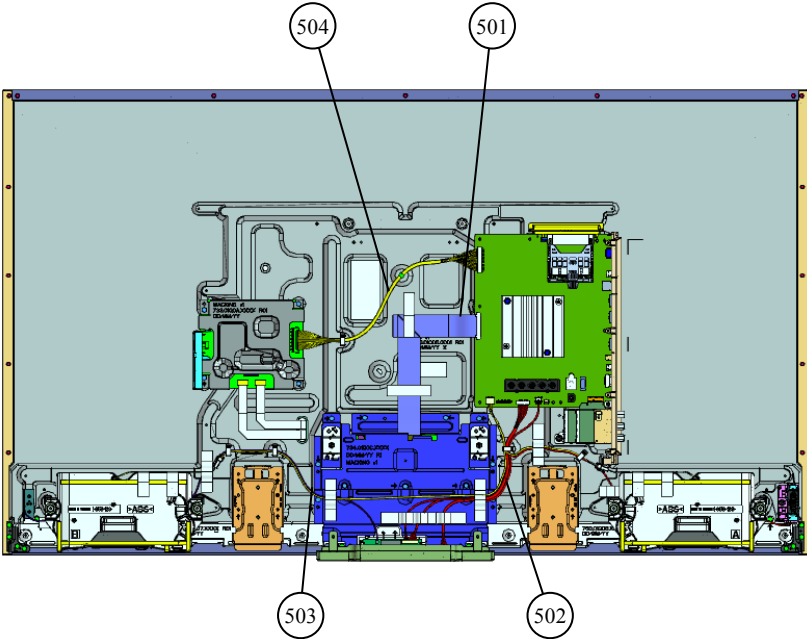


REF. No.	PART No.	DESCRIPTION	MARK
451	4-579-710-31	BRACKET, SIDE (PDT)	CEI/RU3
451	4-579-710-41	BRACKET, SIDE (PDT)	UKA
452	A-2094-453-A	COMPL SVC BFM_EU_CI_I_A	KD-49XD8005/8077/8088/8099:UKA
452	A-2094-455-A	COMPL SVC BFM_EU_CI_A	KD-49XD8005/8077/8088/8099:CEI KD-49XD8077/8099:RU3
452	A-2094-457-A	COMPL SVC BFM_EU_CI_I_S_A	FW-49XD8001:UKA
452	A-2094-459-A	COMPL SVC BFM_EU_CI_S_A	FW-49XD8001:CEI
453	8-594-305-00	UNIVERSAL SIL-TU SUT-CE543ZP	
454	1-474-647-12	SWITCH UNIT (3M-P)	
455	4-579-994-01	HOLDER SIDE SW (PDT)	
* 456	4-486-590-01	BRACKET, VESA(MIA)	
* 457	2-650-770-21	SLIDE, CLAMP	
* 458	4-579-653-01	BRACKET, STD(ML_PDT)	
459	1-812-249-11	LCD PANEL(W49QWMEB)	KD-49XD8005/8088/8099 FW-49XD8001
459	1-812-250-11	LCD PANEL(W49QWMES)	KD-49XD8077
460	4-546-441-11	BRACKET, TOP FL (MOLD)	



3. KD-49XD8005/8077/8088/8099, FW-49XD8001

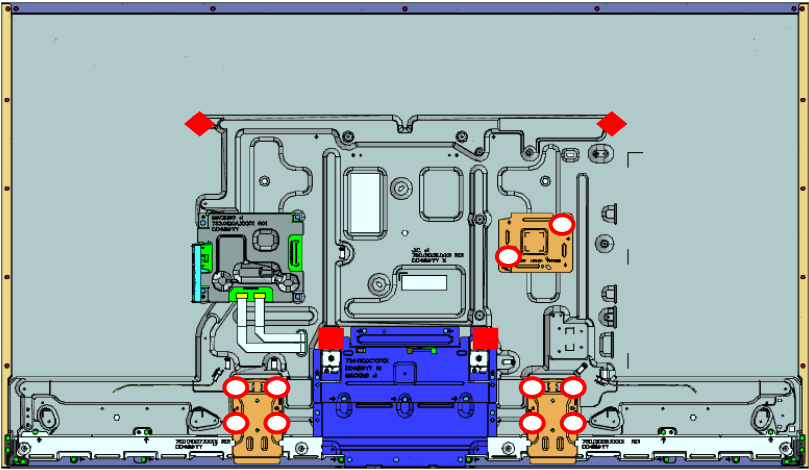
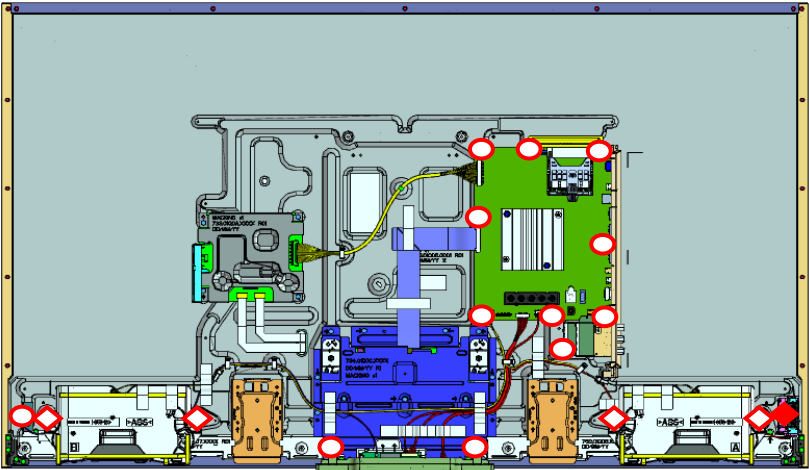
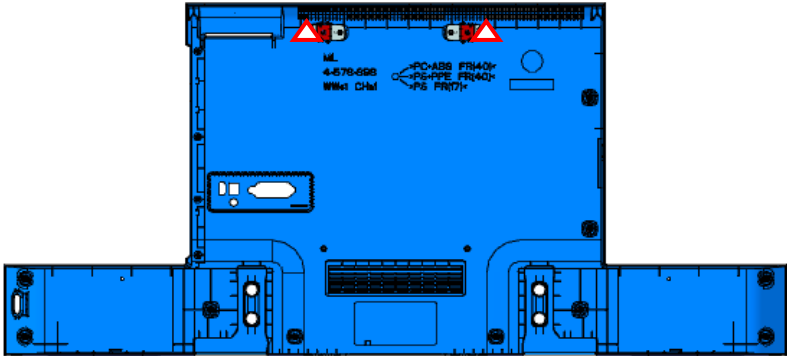
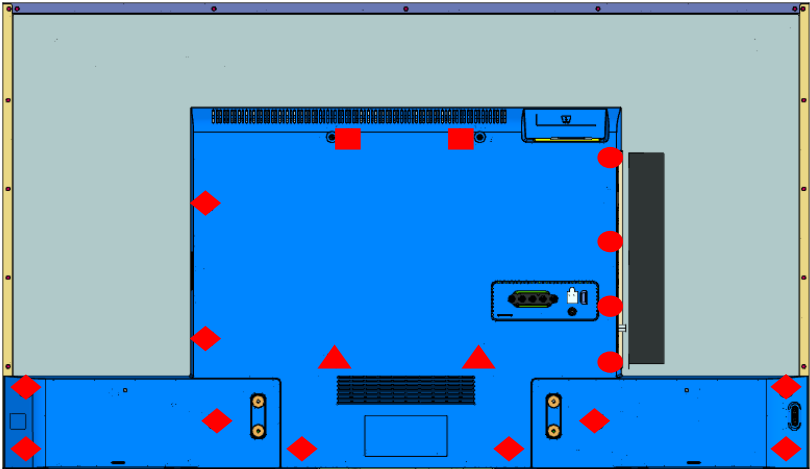
CONNECTORS



REF.NO.	PART No.	DESCRIPTION	MARK
501	1-849-393-11	FLEXIBLE FLAT CABLE 51P	CN3800(BFM)-TCON (1)
502	1-910-110-95	HARNESS ASSY (MAIN)	CN1001(BFW)-CN001(HSC4)-WIFI-SM(1)
503	1-910-110-96	CONNECTOR ASSY 4P	CN3202(BFM)-SP (1)
504	1-910-110-97	CONNECTOR ASSY 30P	CN4001(LD)-CN400(BFM)-TCON (1)

**3. KD-49XD8005/8077/8088/8099, FW-49XD8001**  
**SCREWS**

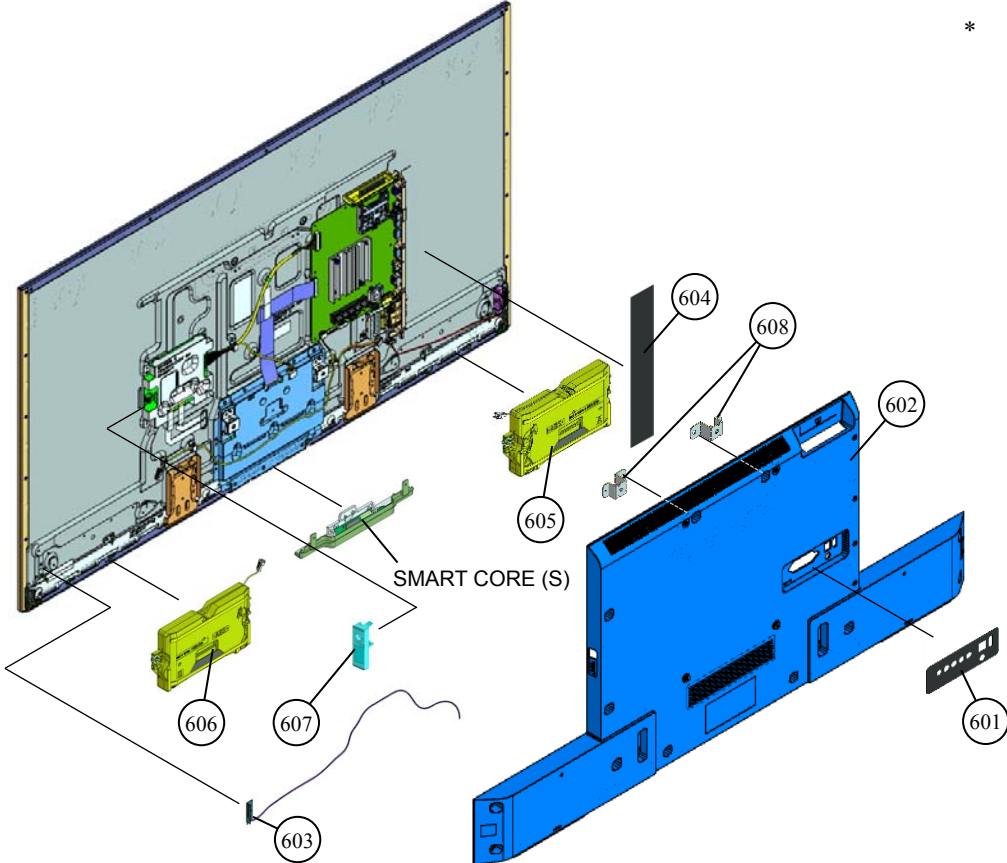
REF.	DESCRIPTION	PART No.
■	SCREW +PSW M4X10	4-159-298-01
●	SCREW +BVTP 3X10 TYPE2 IT-3	7-685-647-79
○	SCREW, +PSW M3X6	4-472-518-11
◆	SCREW M3X3.0 STEP	4-579-926-01
▲	SCREW, ORNAMENTAL M6X12	4-268-126-02
△	SCREW +BVTP 3X8 TYPE2 IT-3	7-685-646-79
◇	PULLEY, SP(PDT)	4-579-924-01



**4. KD-49XD8305**

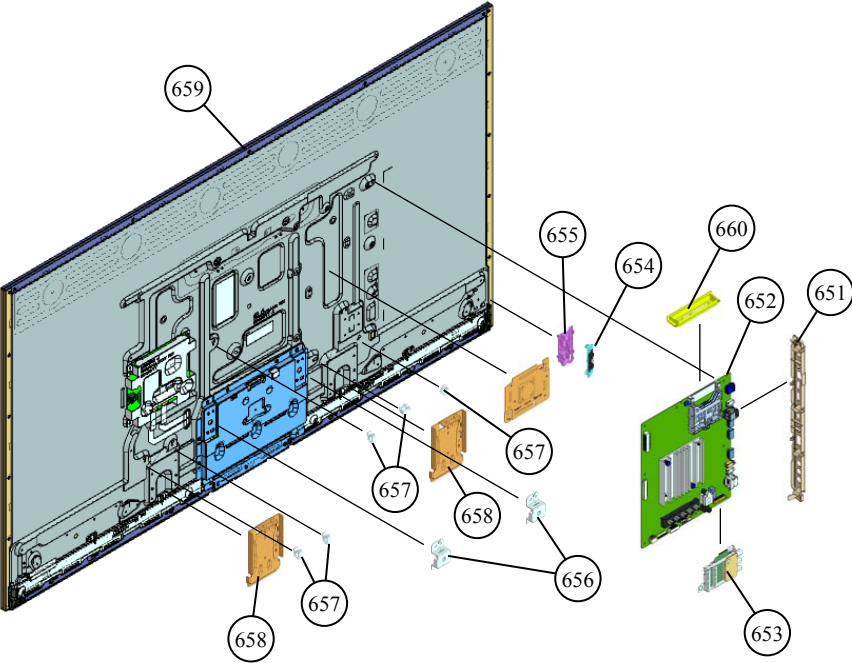
**REAR COVER**




REF. No.	PART No.	DESCRIPTION	MARK
601	4-585-156-01	LABEL, REAR TERMINAL (PDT)	
602	4-589-697-01	REAR COVER (ML_PDT) A	
603	1-754-975-11	BT ANTENNA	
604	4-581-504-11	LABEL, SIDE TERMINAL(PDT)	For CEI/RU3
604	4-581-504-21	LABEL, SIDE TERMINAL(PDT)	For UKA
605	1-859-139-11	SP-BOX ASSY, W25(S)-EA	
606	1-859-139-21	SP-BOX ASSY, W25(S)-EB	
607	4-580-890-01	BRACKET, DC JACK (PDT)	
* 608	4-297-468-02	BRACKET, VESA	



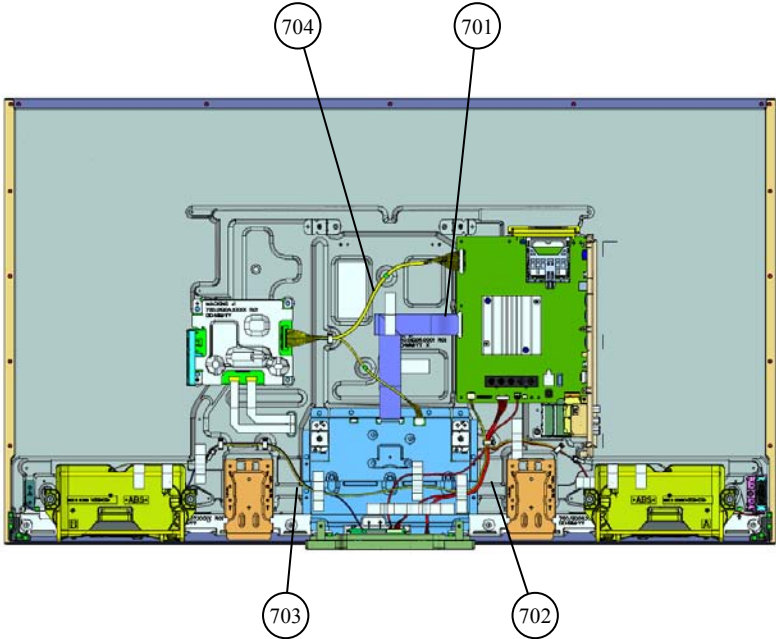
4. KD-49XD8305

LCD PANEL



REF. No.	PART No.	DESCRIPTION	MARK
651	4-579-710-31	BRACKET, SIDE (PDT)	
652	 A-2094-453-A	COMPL SVC BFM_EU_CI_I_A	For UKA
652	 A-2094-455-A	COMPL SVC BFM_EU_CI_A	For CEI/RU3
653	8-594-305-00	UNIVERSAL SIL-TU SUT-CE543ZP	
654	1-474-647-12	SWITCH UNIT (3M-P)	
655	4-579-994-01	HOLDER SIDE SW (PDT)	
*	656	4-486-590-01	BRACKET, VESA(MIA)
*	657	2-650-770-21	SLIDE, CLAMP
*	658	4-579-653-01	BRACKET, STD(ML_PDT)
659	 1-812-273-12	LCD PANEL(W49QWMEB)	
660	4-546-441-11	BRACKET, TOP FL (MOLD)	

4. KD-49XD8305  
CONNECTORS

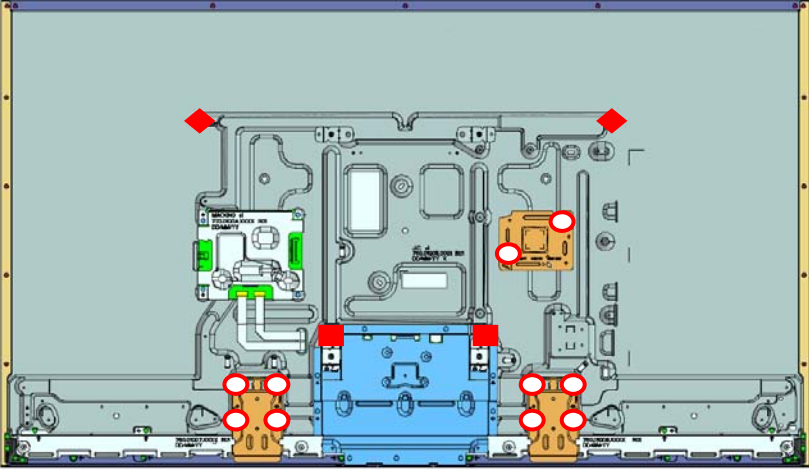
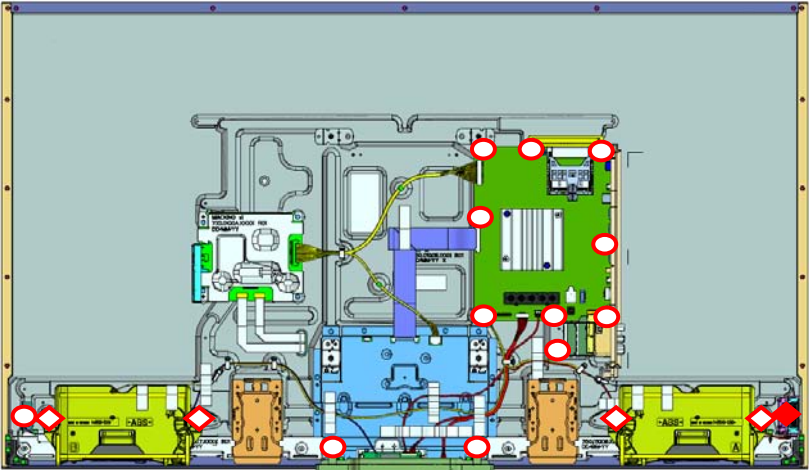
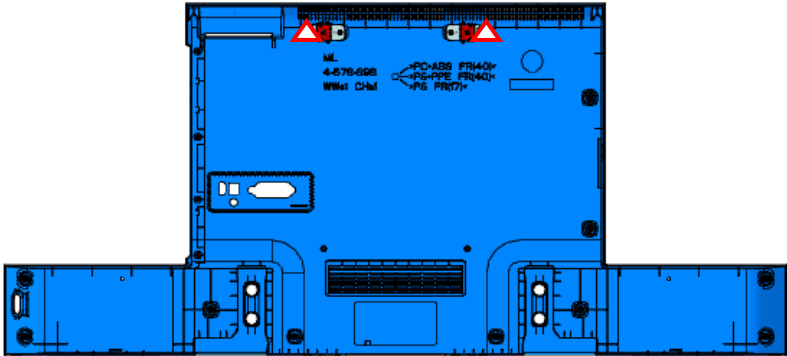
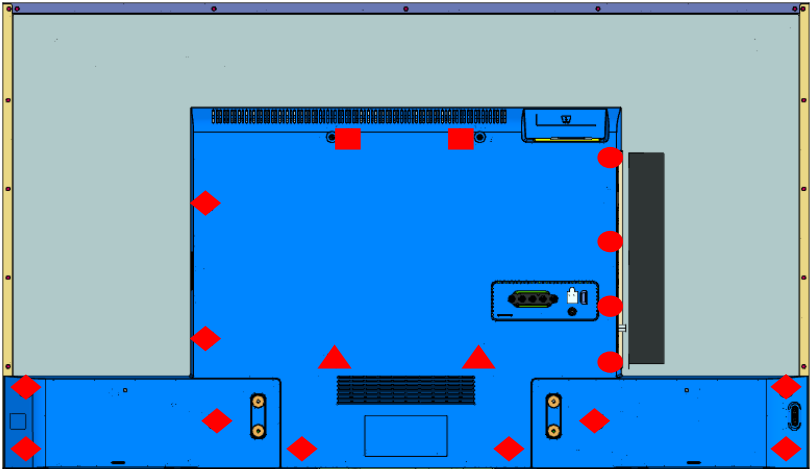


REF.NO.	PART No.	DESCRIPTION	MARK
701	1-849-543-11	FLEXIBLE FLAT CABLE 51P	CN3800(BFM)-TCON (1)
702	1-910-111-73	HARNESS ASSY (MAIN)	CN1001(BMFW)-CN001(HSC4)-WIFI-SM (1)
703	1-910-110-96	CONNECTOR ASSY 4P	CN3202(BFM)-SP (1)
704	1-910-111-75	CONNECTOR ASSY 30P	CN4001(LD)-CN400(BFM)-TCON (1)

**4. KD-49XD8305**

**SCREWS**

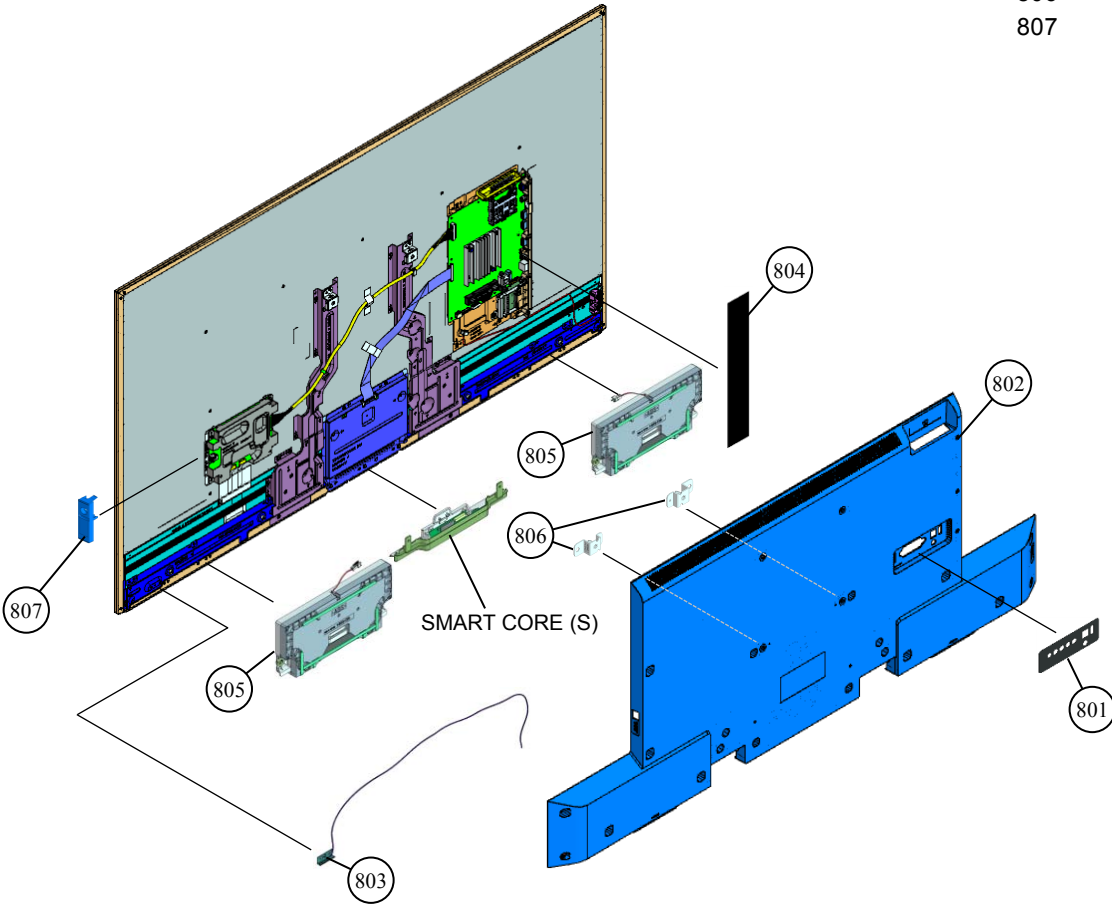
REF.	DESCRIPTION	PART No.
■	SCREW +PSW M4X10	4-159-298-01
●	SCREW +BVTP 3X10 TYPE2 IT-3	7-685-647-79
○	SCREW, +PSW M3X6	4-472-518-11
◆	SCREW M3X3.0 STEP	4-579-926-01
▲	SCREW, ORNAMENTAL M6X12	4-268-126-02
△	SCREW +BVTP 3X8 TYPE2 IT-3	7-685-646-79
◇	PULLEY, SP(PDT)	4-579-924-01



5. KD-55XD8005

REAR COVER

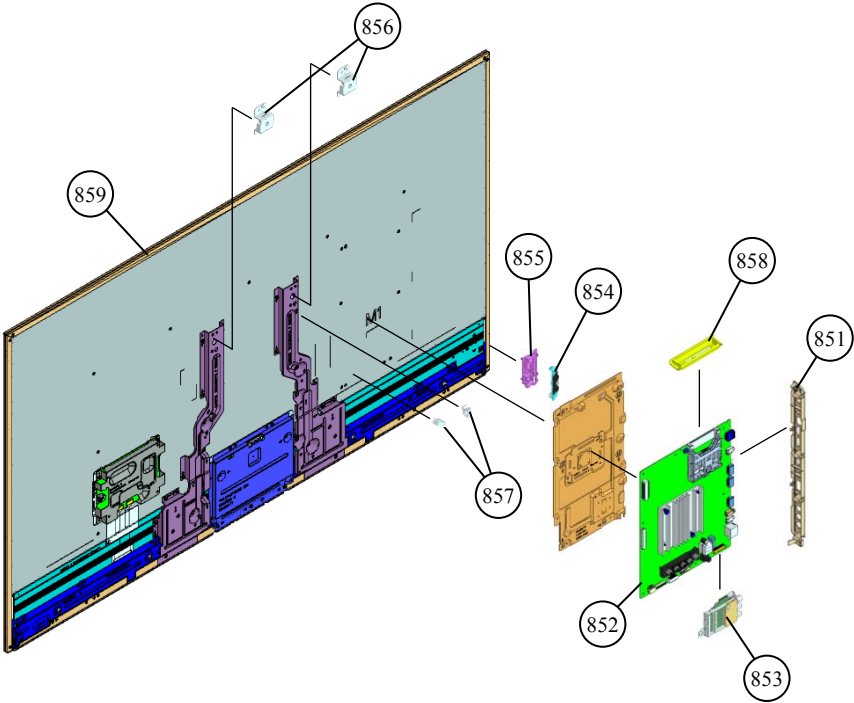
REF. No.	PART No.	DESCRIPTION	MARK
801	4-585-156-01	LABEL, REAR TERMINAL (PDT)	
802	4-584-427-21	REAR COVER (M1_L_PDT) A	
803	1-754-957-11	BT ANTENNA	
804	4-581-504-11	LABEL, SIDE TERMINAL(PDT)	FOR CEI/RU3
804	4-581-504-21	LABEL, SIDE TERMINAL(PDT)	FOR UKA
805	1-859-138-11	SP-BOX ASSY, W25(L)-E	
* 806	4-579-927-01	BRACKET, VESA(L_PDT)	
807	4-580-890-01	BRACKET, DC JACK (PDT)	



**5. KD-55XD8005**

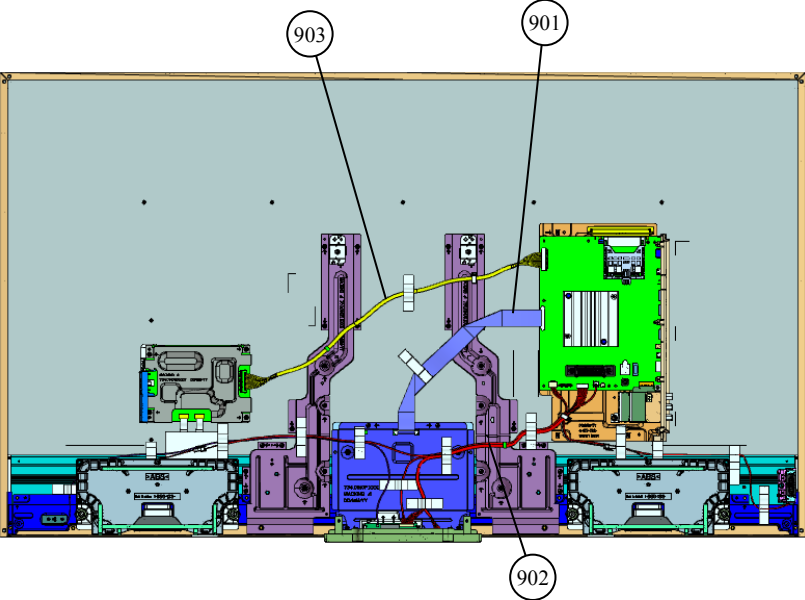
**LCD PANEL**

REF. No.	PART No.	DESCRIPTION	MARK
851	4-579-710-31	BRACKET, SIDE (PDT)	FOR CEI/RU3
851	4-579-710-41	BRACKET, SIDE (PDT)	FOR UKA
852	A-2094-453-A	COMPL SVC BFM_EU_CI_L_A	FOR UKA
852	A-2094-455-A	COMPL SVC BFM_EU_CI_A	FOR CEI/RU3
853	8-594-305-00	UNIVERSAL SIL-TU SUT-CE543ZP	
854	1-474-647-12	SWITCH UNIT (3M-P)	
855	4-579-994-01	HOLDER SIDE SW (PDT)	
* 856	4-486-590-01	BRACKET, VESA(MIA)	
* 857	2-650-770-21	SLIDE, CLAMP	
858	4-546-441-11	BRACKET, TOP FL (MOLD)	
859	1-812-271-12	LCD PANEL(W55QWSEB)	





5. KD-55XD8005  
CONNECTORS

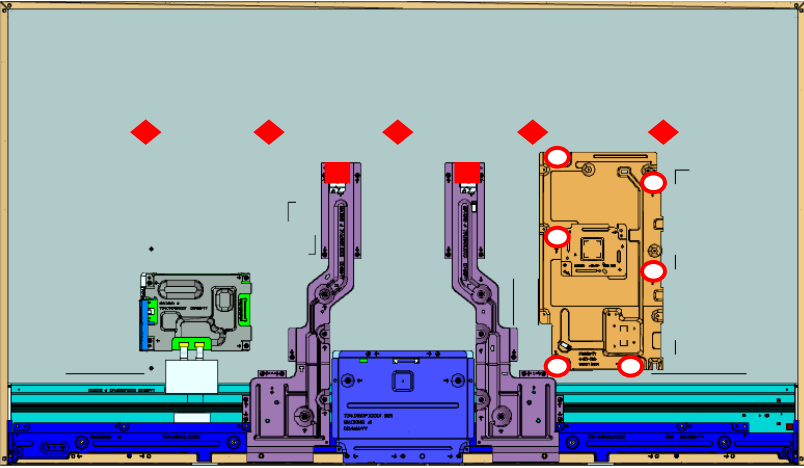
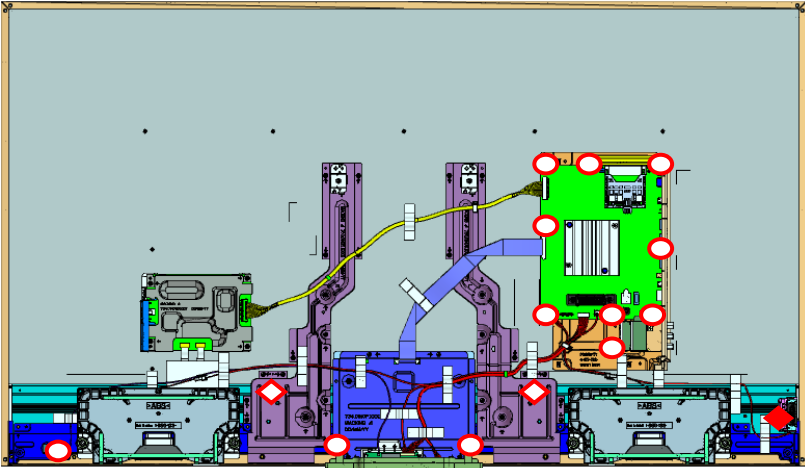
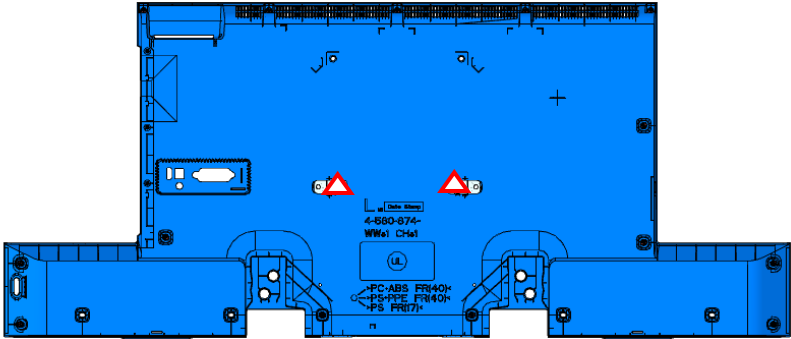
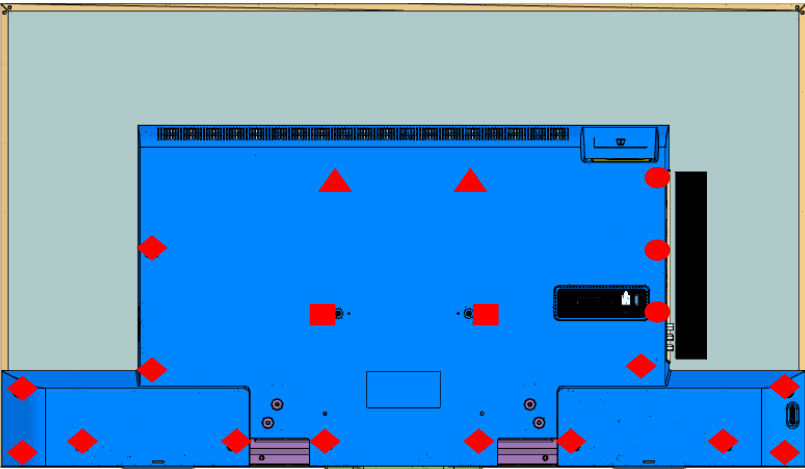


REF.NO.	PART No.	DESCRIPTION	MARK
901	1-849-542-11	FLEXIBLE FLAT CABLE 51P	CN3800(BFM)-TCON (1)
902	1-910-111-76	HARNESS ASSY (MAIN)	CN1000(BFM)-CN1002(BFM)-SW-HSC4-WIFI(1)
903	1-910-111-77	CONNECTOR ASSY 30P	CN4001(LD)-CN400(BFM)(1)


**5. KD-55XD8005**

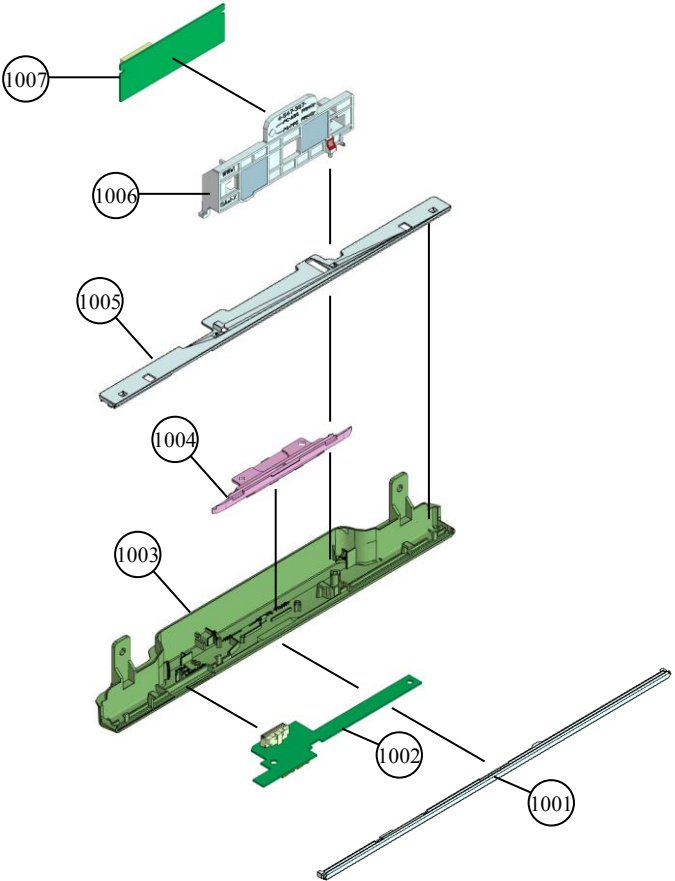
**SCREWS**

REF.	DESCRIPTION	PART No.
■	SCREW +PSW M4X10	4-159-298-01
●	SCREW +BVTP 3X10 TYPE2 IT-3	7-685-647-79
○	SCREW, +PSW M3X6	4-472-518-11
◆	SCREW M3X3.0 STEP	4-579-926-01
▲	SCREW, ORNAMENTAL M6X12	4-268-126-02
△	SCREW +BVTP 3X8 TYPE2 IT-3	7-685-646-79
◇	PULLEY, STAND (HWI)	4-534-964-01



6. SMART CORE (S)

REF. No.	PART No.	DESCRIPTION	MARK
1001	4-580-149-01	PANEL, ORNAMENT	
1002	A-2092-887-B	HSC4-S MOUNT	
1003	4-580-146-01	CASE, BTM (S)	
1004	4-580-150-01	GUIDE, LIGHT	
1005	4-580-151-01	COVER, TOP	
1006	4-547-397-02	BRACKET, WIFI	
1007	 1-458-912-11	WLAN/BT MODULE(11AC)	



## 7. OTHER PART

## MISCELLANEOUS

## ACCESSORIES

PART No.	DESCRIPTION	MARK	PART No.	DESCRIPTION	MARK
4-549-186-01	SHEET, THERMAL(BM)	For B* Board	1-493-129-12	REMOTE COMMANDER (RMF-TX200E)	
4-584-121-01	SHEET, THERMAL (TU AEP)	For Tuner	1-493-169-12	REMOTE COMMANDER (RMT-TX210E)	KD-43XD8088/8099:CEI, KD-49XD8088/8099:CEI, FW-43/49XD8001
7-600-031-97	TAPE (3M 1350FB-1)15MMX66M BLK				
4-449-083-11	SPACER(22)+C	For 43", G Board			
			▲ 1-493-002-22	AC ADAPTOR (160W)	For 49" and 55"
			▲ 1-846-421-11	CORD SET, POWER-SUPPLY	For UKA, 49" and 55"
			▲ 1-846-093-51	CORD SET, POWER-SUPPLY	For RU3, 49" and 55"
			▲ 1-846-420-11	CORD SET, POWER-SUPPLY	For CEI, 49" and 55"
			* 1-848-803-11	RCA CONVERSION CABLE	Optional Accessory
			1-849-161-11	IR BLASTER CABLE	For UKA
			4-262-708-04	CLAMPER, CABLE	
			4-581-195-01	STAND (ML PDT) A	KD-49XD8305
			4-581-196-01	STAND(SM PDT) A	KD-43XD8305
			4-584-576-01	STAND (SMPDT 2) A	KD-43XD8005/8077, KD-49XD8005/8077, FW-43/49XD8001
			4-584-576-11	STAND (SMPDT 2) A	KD-43XD8088/8099, KD-49XD8088/8099
			4-591-735-01	STAND (L PDT P) A	KD-55XD8005
			4-581-197-01	STAND NECK (ML PDT) A	Except KD-55XD8005
			4-579-499-01	STAND NECK (L PDT) A	KD-55XD8005
			4-579-484-01	STAND REAR COVER (L PDT) A	KD-55XD8005
			4-585-682-01	BAG,SCREW (M6L16)(4)(PDT_L)	KD-55XD8005
			(2-580-611-01)	(SCREW, +PSW M6X16)	4pcs, Neck to Stand
			4-585-683-01	BAG,SCREW (M6L16)(2)(PDT_ML)	Except KD-55XD8005
			(2-580-611-01)	(SCREW, +PSW M6X16)	2pcs, Neck to Stand
			4-462-871-02	BAG, SCREW A (CCT)	
			(2-580-607-01)	(SCREW, +PSW M5X12)	4pcs, Neck to TV

**END**

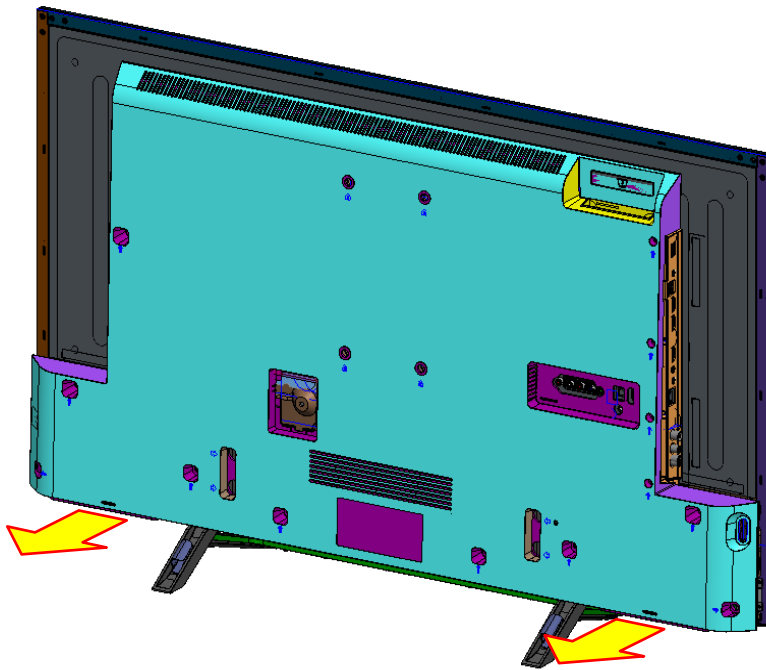
---

# APPENDIX-1

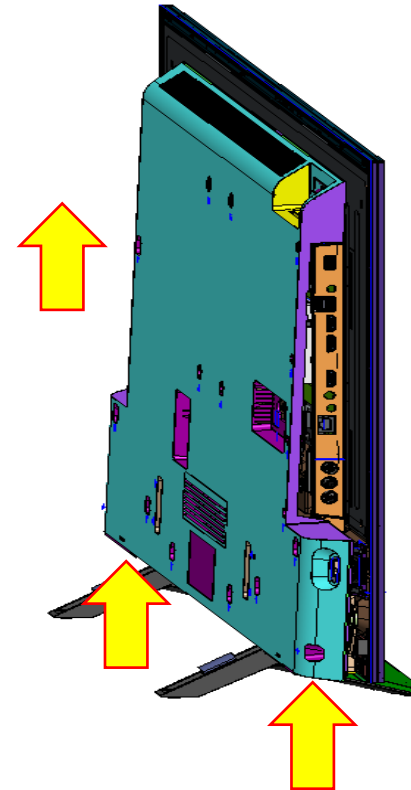
## How to take off REAR COVER

Illustrations may be different from the actual.

1. Pull up Rear Cover bottom area slightly.



2. Push the Rear Cover to up direction.



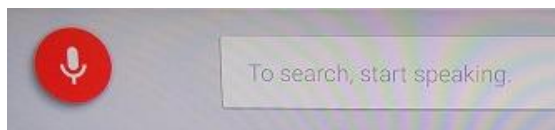
# APPENDIX-2

## Voice REMOTE Control

- This REMOTE has the following functions:
  - Key
  - Voice search
- Key codes (except “MIC” key) are sent by IR code.  
You can control all TVs without pairing.
- “MIC” key code and voice data are sent by Bluetooth.  
Voice search function could be used with only the paired TV.

## How to use voice search function

1. Press “MIC” key
2. Voice search UI is displayed on TV. And MIC LED on the remote will turn on.



3. While MIC LED is on, please speak a keyword which you want to search.
4. Searching result will be displayed.

NOTE: If you cannot use voice search function, please check the next page.

“MIC” key: Bluetooth




Other keys: IR

## Setting Voice Remote Control for voice search function

To REMOTE bundled with TV, the following pairing is beforehand finished at TV plant. However, the REMOTE of service parts requires pairing by the user (Or by service engineer).

To register the Voice Remote Control to the TV

Press the HOME button, select [Settings] → [Voice Remote Control] → [Activate the  button] then, follow the on-screen instruction

Prepare Voice Remote Control.

Press and hold down the Volume-down key

Press  key for 3 seconds while holding down the Volume-down key pressed





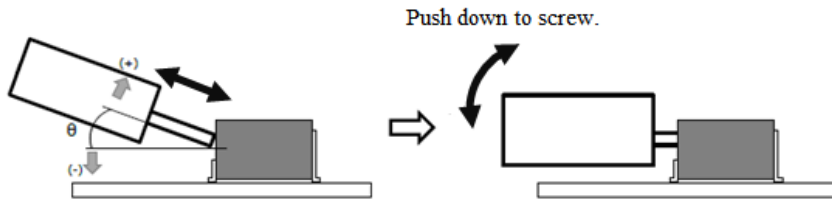
# APPENDIX-3

## Universal Silicon Tuner Information

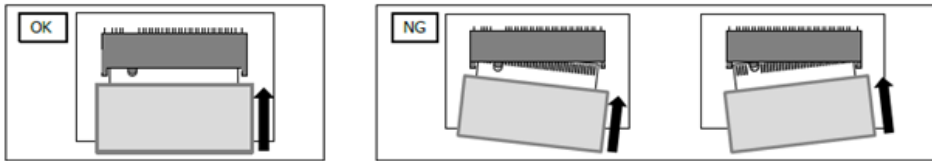
### Tuner Module treatment way

- ① The insertion & extraction angle of the module is permitted to specified degree for connector

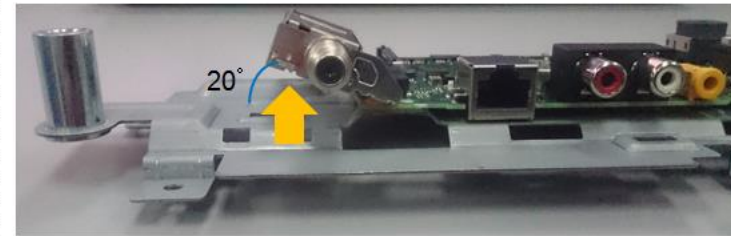
$$\theta \approx 20^\circ$$



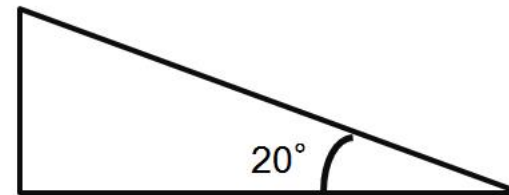
- ② Please insert or extract the module straightly toward the connector.  
Do NOT insert or extract the module with an angle.



For removing Tuner Module,  
After un screwed, Automatically the Module  
will float to correct degree.  
So please extract it with keeping this degree.



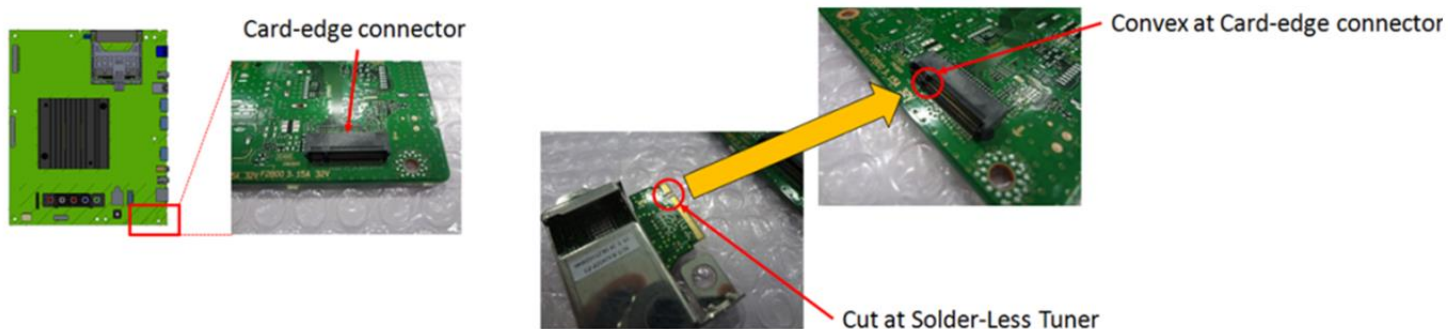
Reference paper for 20 degree  
(If need please use for fit by cutting this paper)



## Universal Silicon Tuner Information

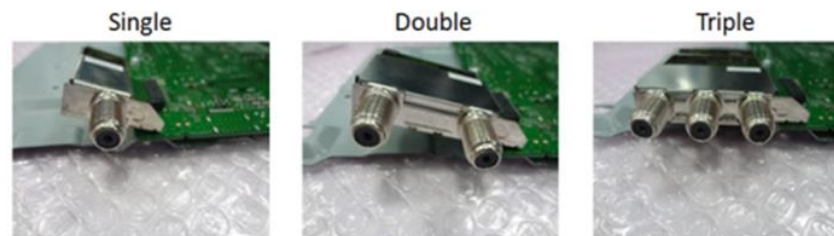
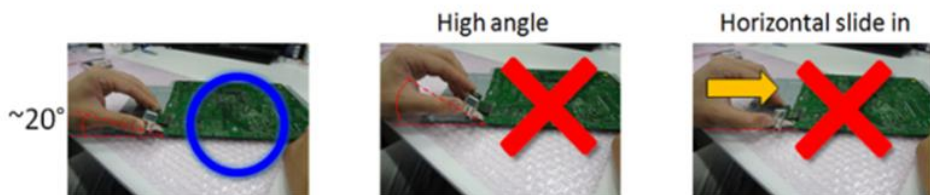
### How to Assembly Solder-Less Tuner

#### 1. Alignment

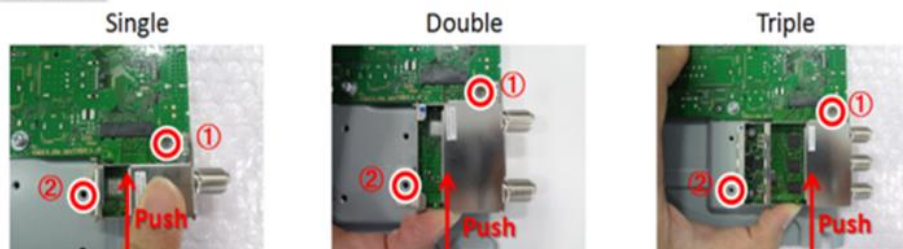


#### 2. Install

After install, single and double Solder-Less Tuner is floating. On the other hand, triple Solder-Less Tuner sink down at correct position.

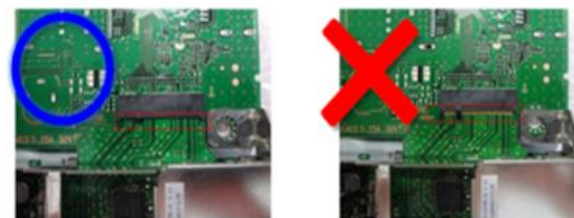


#### 3. Screw



Hold down and push to guarantee connection

#### 4. Visual Check



Au plating is visible = not inserted completely

# APPENDIX-4

## Reset vs. Factory Reset

### Reset:

1. Press and hold down the power button (approx. 5 seconds) on the remote commander until the message “Power off” appears on the TV screen
2. The TV will turn off, and then restart automatically

Try a reset when Android TV doesn't behave properly (e.g., the TV is unresponsive or is stuck on a black screen). Note if you unplug and plug in the power cable, it may have the same effect as a reset. If a reset does not resolve the problem, try a new software update and or a factory reset.

Important: This reset will not delete any personal settings, data and downloaded apps on the TV.

### Factory reset:

1. From Home Screen, select [Settings]
2. Select [TV] [Storage & reset] → [Factory data reset] → [Erase everything]
3. Select “YES”

Important: The factory reset will delete all personal settings, data and downloaded apps on the TV.

Tip: We recommend creating a backup of the channel list onto a USB stick. This will allow to easily restore the channel list after performing a factory reset. The following steps detail how to back up the channel list:

1. Connect the USB device to the TV so as to import/export the list of tuned programmes
2. From Home Screen, select [Settings]
3. Select [TV] [Channel setup] → [Digital setup] → [Technical Set-up] → [Programme List Transfer], then select [Import] or [Export]
4. Follow the on-screen instructions to complete transfer

### Force Factory reset:

1. Unplug the power cable from the outlet
2. Press and hold down both the “Center” and “Down” keys located on the TV
3. Plug the power cable back in the outlet (while holding down both the “Center” and “Down” keys)

Important: The factory reset will delete all personal settings, data and downloaded apps on the TV.

