

AV RECEIVER

RX-V373/HTR-3065

SERVICE MANUAL

Note:

When the following parts are replaced, the model name and destination MUST be written to the back-up IC (EEPROM: IC221 on DIGITAL P.C.B.) to have proper operation. (For details, refer to "22 SOFT SWITCH" menu of the self-diagnostic function.)

注意:

下記の部品を交換した場合、正常動作のためにモデル名と仕向け先をバックアップ IC (DIGITAL P.C.B. の IC221) へ書き込む必要があります。(詳細は、ダイアグの "22. SOFT SWITCH" メニューを参照してください。)

- DIGITAL P.C.B.
- EEPROM: IC221 on DIGITAL P.C.B.

IMPORTANT NOTICE

This manual has been provided for the use of authorized YAMAHA Retailers and their service personnel.

It has been assumed that basic service procedures inherent to the industry, and more specifically YAMAHA Products, are already known and understood by the users, and have therefore not been restated.

WARNING: Failure to follow appropriate service and safety procedures when servicing this product may result in personal injury, destruction of expensive components, and failure of the product to perform as specified. For these reasons, we advise all YAMAHA product owners that any service required should be performed by an authorized YAMAHA Retailer or the appointed service representative.

IMPORTANT: The presentation or sale of this manual to any individual or firm does not constitute authorization, certification or recognition of any applicable technical capabilities, or establish a principle-agent relationship of any form.

The data provided is believed to be accurate and applicable to the unit(s) indicated on the cover. The research, engineering, and service departments of YAMAHA are continually striving to improve YAMAHA products. Modifications are, therefore, inevitable and specifications are subject to change without notice or obligation to retrofit. Should any discrepancy appear to exist, please contact the distributor's Service Division.

WARNING: Static discharges can destroy expensive components. Discharge any static electricity your body may have accumulated by grounding yourself to the ground buss in the unit (heavy gauge black wires connect to this buss).

IMPORTANT: Turn the unit OFF during disassembly and part replacement. Recheck all work before you apply power to the unit.

CONTENTS

TO SERVICE PERSONNEL	2	DISPLAY DATA	53-54
FRONT PANELS	3-4	IC DATA	55-65
REAR PANELS	5-9	BLOCK DIAGRAMS	66-67
REMOTE CONTROL PANELS	10	PRINTED CIRCUIT BOARDS	68-81
SPECIFICATIONS / 参考仕様	11-16	PIN CONNECTION DIAGRAMS	82
INTERNAL VIEW	17	SCHEMATIC DIAGRAMS	83-92
SERVICE PRECAUTIONS / サービス時の注意事項	17	REPLACEMENT PARTS LIST	93-105
DISASSEMBLY PROCEDURES / 分解手順	18-21	REMOTE CONTROL	106-110
UPDATING FIRMWARE / ファームウェアのアップデート	22-26	CONFIGURING THE SYSTEM SETTINGS	111
SELF-DIAGNOSTIC FUNCTION / ダイアグ (自己診断機能)	27-52	システム設定を変更する	112



このサービスマニュアルは、エコマーク認定の再生紙を使用しています。
This Service Manual uses recycled paper.



■ TO SERVICE PERSONNEL

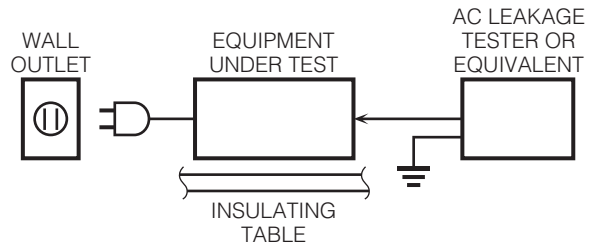
1. Critical Components Information

Components having special characteristics are marked Δ and must be replaced with parts having specifications equal to those originally installed.

2. Leakage Current Measurement (For 120V Models Only)

When service has been completed, it is imperative to verify that all exposed conductive surfaces are properly insulated from supply circuits.

- Meter impedance should be equivalent to 1500 ohms shunted by 0.15 μ F.



- Leakage current must not exceed 0.5mA.
- Be sure to test for leakage with the AC plug in both polarities.



For U model "CAUTION"

"F1501: FOR CONTINUED PROTECTION AGAINST RISK OF FIRE, REPLACE ONLY WITH SAME TYPE 6A, 125V FUSE."

For C model CAUTION

F1501: REPLACE WITH SAME TYPE 6A, 125V FUSE.

ATTENTION

F1501: UTILISER UN FUSIBLE DE RECHANGE DE MÊME TYPE DE 6A, 125V.

WARNING: CHEMICAL CONTENT NOTICE!

This product contains chemicals known to the State of California to cause cancer, or birth defects or other reproductive harm.

DO NOT PLACE SOLDER, ELECTRICAL/ELECTRONIC OR PLASTIC COMPONENTS IN YOUR MOUTH FOR ANY REASON WHATSOEVER!

Avoid prolonged, unprotected contact between solder and your skin! When soldering, do not inhale solder fumes or expose eyes to solder/flux vapor!

If you come in contact with solder or components located inside the enclosure of this product, wash your hands before handling food.

About lead free solder / 無鉛ハンダについて

All of the P.C.B.s installed in this unit and solder joints are soldered using the lead free solder.

Among some types of lead free solder currently available, it is recommended to use one of the following types for the repair work.

- Sn + Ag + Cu (tin + silver + copper)
- Sn + Cu (tin + copper)
- Sn + Zn + Bi (tin + zinc + bismuth)

Caution:

As the melting point temperature of the lead free solder is about 30°C to 40°C (50°F to 70°F) higher than that of the lead solder, be sure to use a soldering iron suitable to each solder.

本機に搭載されているすべての基板およびハンダ付けによる接合部は無鉛ハンダでハンダ付けされています。

無鉛ハンダにはいくつかの種類がありますが、修理時には下記のような無鉛ハンダの使用を推奨します。

- Sn+Ag+Cu (錫 + 銀 + 銅)
- Sn+Cu (錫 + 銅)
- Sn+Zn+Bi (錫 + 亜鉛 + ビスマス)

注意：

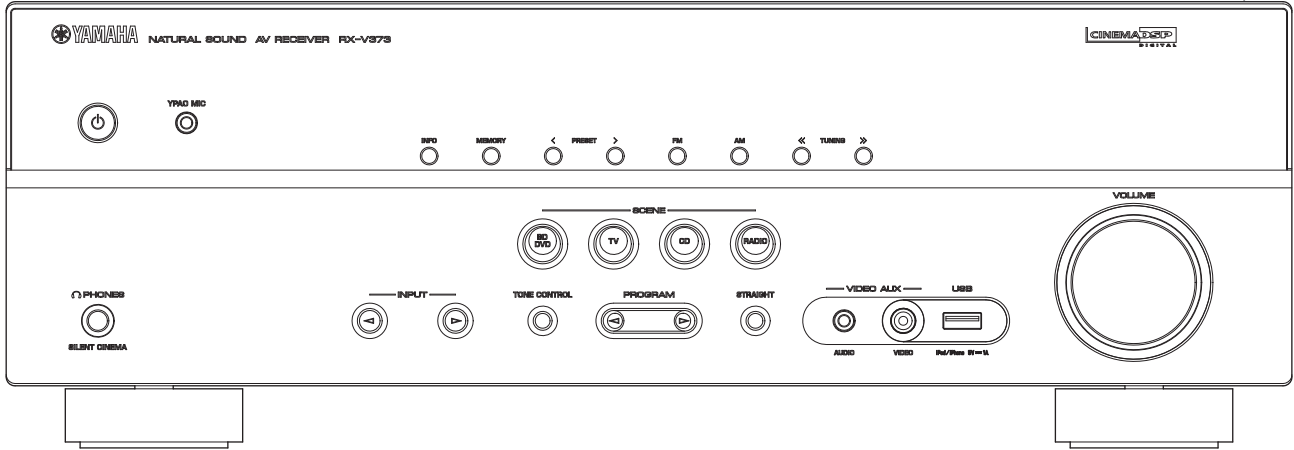
無鉛ハンダの融点温度は通常の鉛入りハンダに比べ 30 ~ 40°C程度高くなっていますので、それぞれのハンダに合ったハンダごてをご使用ください。

FRONT PANELS

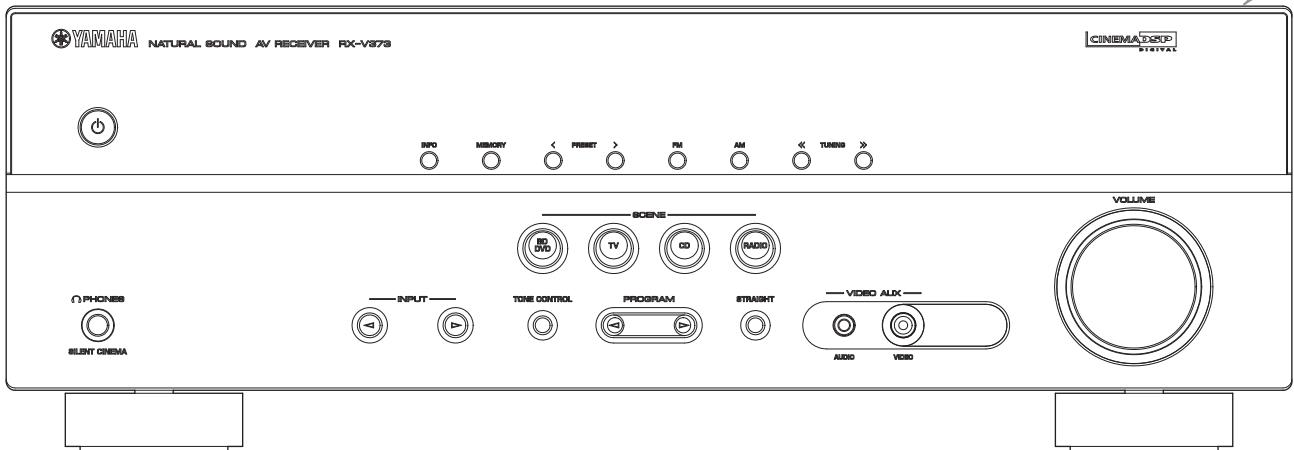
RX-V373 (U, C, R, K, A, B, G, F, L, S, H, J models)

U, C, R, K, A, B, G, F, L, S, H models

J model

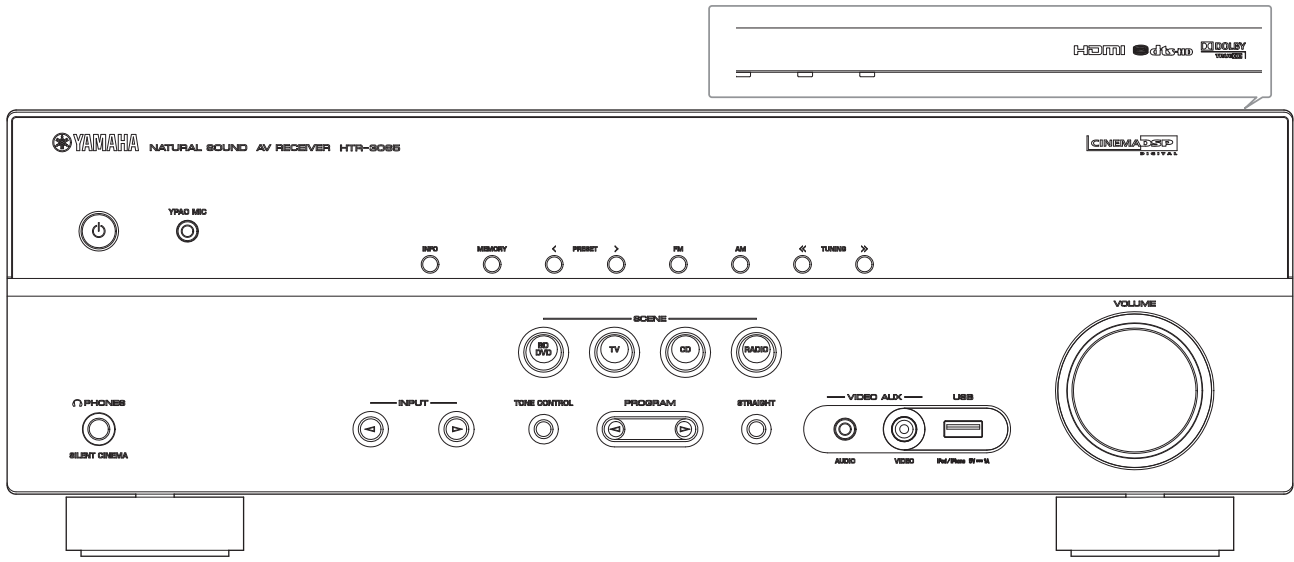


RX-V373 (T model)

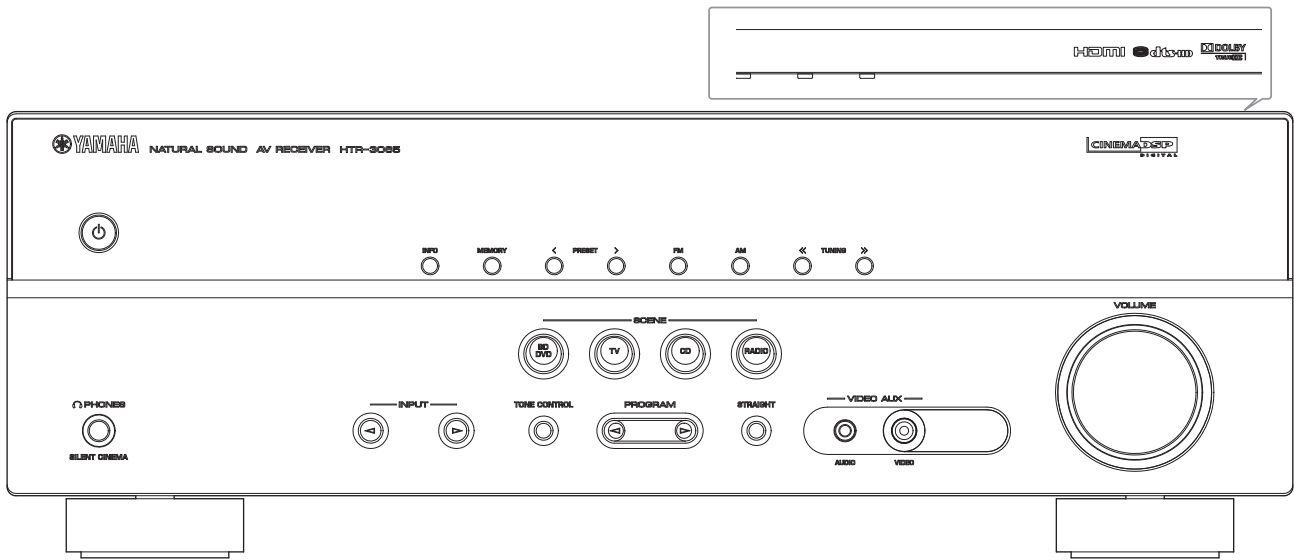


RX-V373/HTR-3065

HTR-3065 (U, C, R, K, A, B, G, F, L, S, H models)

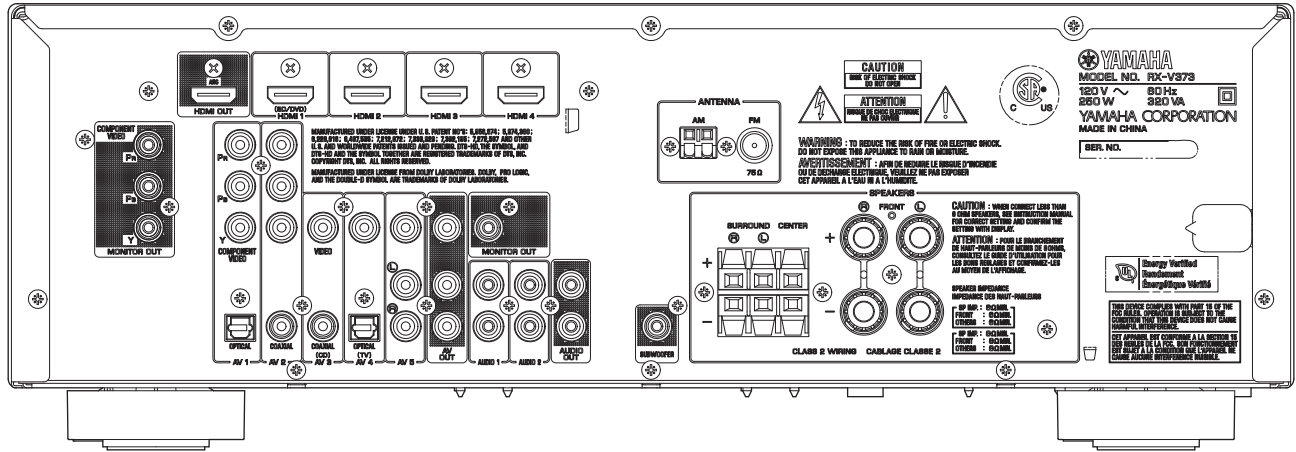


HTR-3065 (T model)

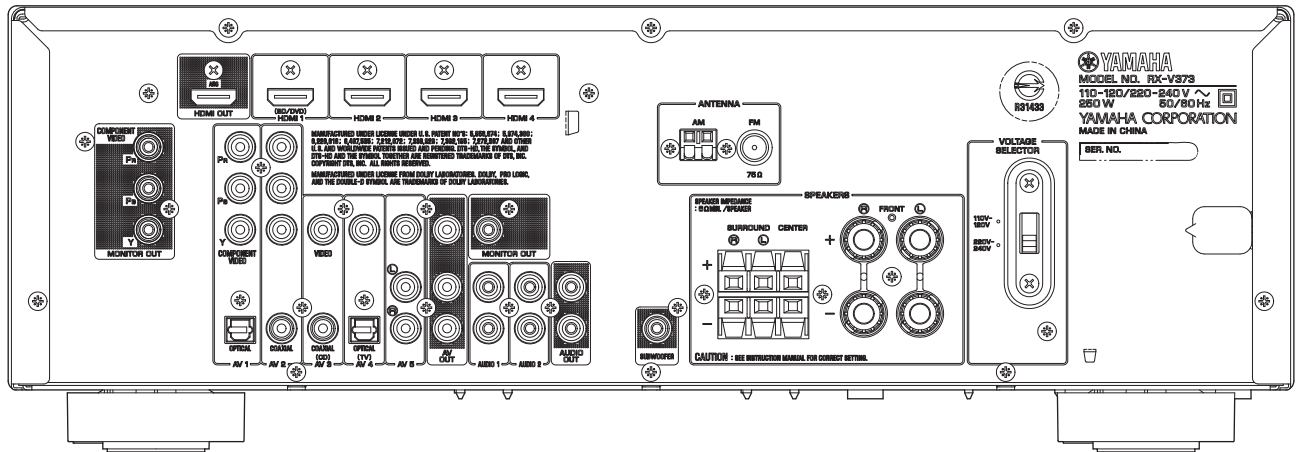


REAR PANELS

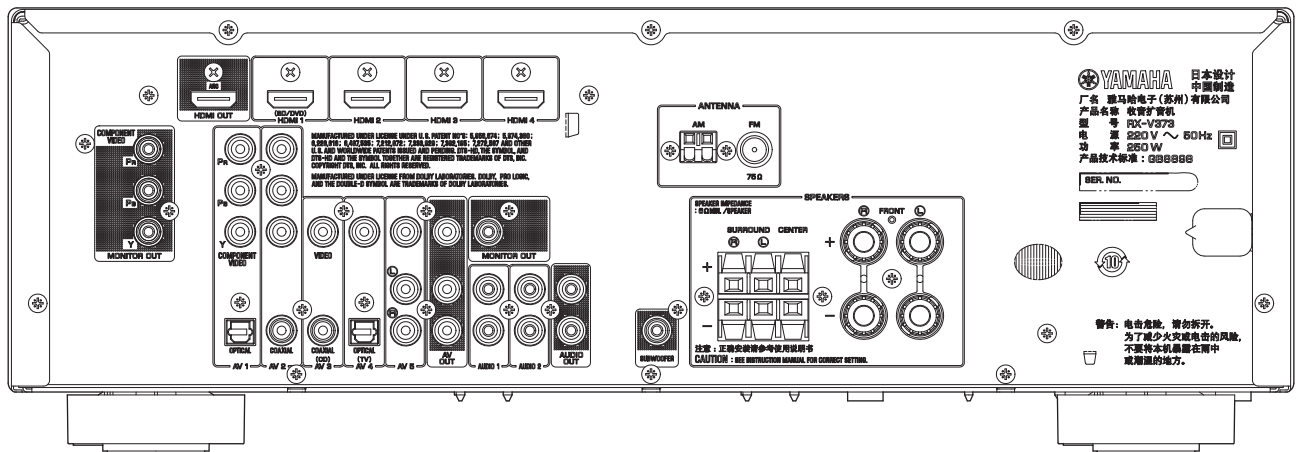
RX-V373 (U, C models)



RX-V373 (R, S models)



RX-V373 (T model)



RX-V373/HTR-3065

REMOTE CONTROL PANELS

RAV463

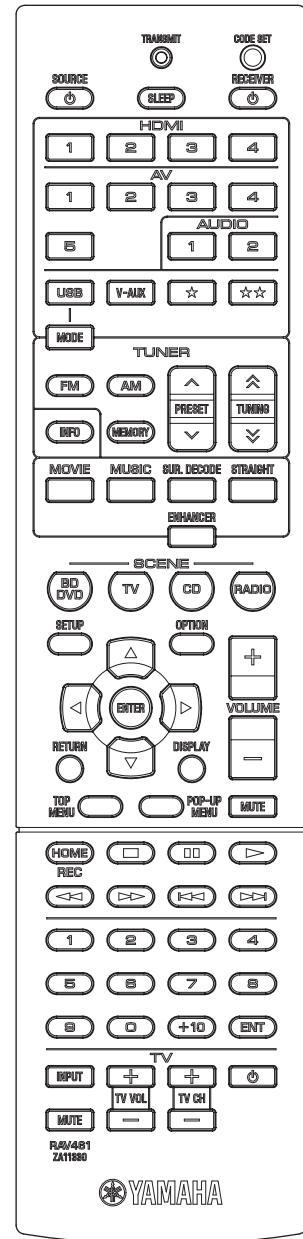
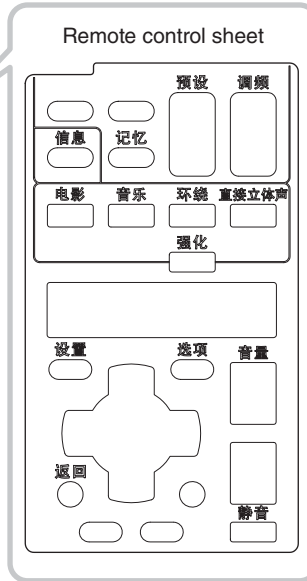
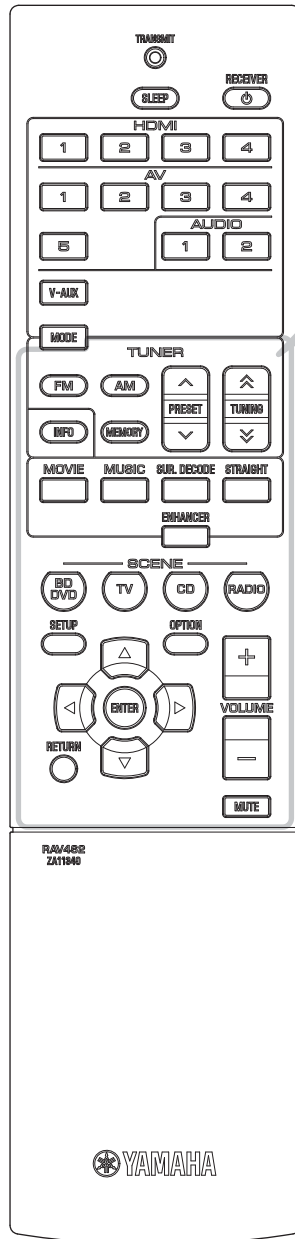
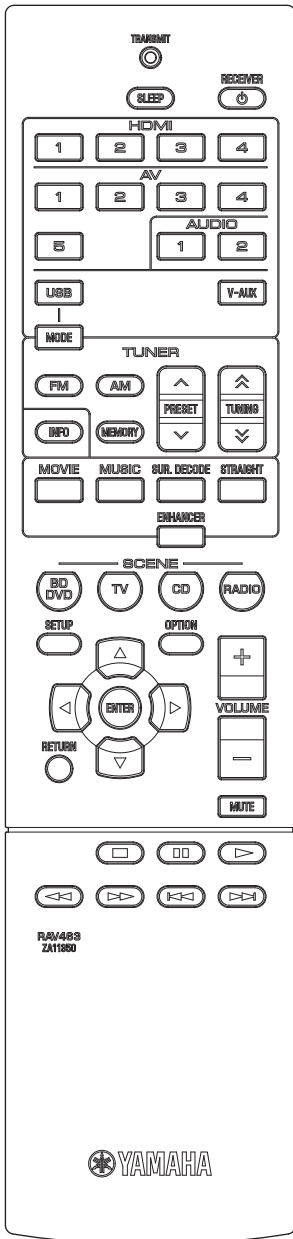
(U, C, R, K,
B, G, F, L, S, H, J models)

RAV462

(T model)

RAV461

(A model)



RX-V373/HTR-3065

■ SPECIFICATIONS / 参考仕様

■ Audio Section / オーディオ部

Rated Output Power (Power Amp. Section) /

定格出力 (パワーアンプ部)

(1 kHz, 0.9 % THD)

– 1 channel driven –

U, C models (8 ohms)

FRONT L/R	100 W/ch
CENTER	100 W
SURROUND L/R	100 W/ch

R, T, K, A, B, G, F, L, S, H, J models (6 ohms)

FRONT L/R	100 W/ch
CENTER	100 W
SURROUND L/R	100 W/ch

– 2 channels driven simultaneously –

U, C models (8 ohms)

FRONT L/R	85 W + 85 W
CENTER	85 W
SURROUND L/R	85 W + 85 W

(20 Hz to 20 kHz, 0.08 % THD)

– 2 channels driven simultaneously –

U, C models (8 ohms)

FRONT L/R	70 W + 70 W
R, T, K, A, B, G, F, L, S, H, J models (6 ohms)	
FRONT L/R	65 W + 65 W

Maximum Effective Output Power / 実用最大出力 (JEITA)

(1 kHz, 10 % THD, 6 ohms / 1 channel driven)

[R, T, K, L, S, H, J models]

FRONT L/R	135 W/ch
CENTER	135 W
SURROUND L/R	135 W/ch

Dynamic Power Per Channel / ダイナミックパワー (IHF)

FRONT L/R drive

U, C models

(8 / 6 / 4 / 2 ohms) 110 / 130 / 160 / 180 W

R, T, K, A, B, G, F, L, S, H, J models

(6 / 4 / 2 ohms) 110 / 130 / 150 W

Dynamic Headroom [U, C models]

8 ohms 0.23 dB

Damping Factor / ダンピングファクタ (20 Hz to 20 kHz, 8 ohms)

FRONT L/R to SPEAKER 120 or more

Input Sensitivity/Input Impedance / 入力感度/入力インピーダンス

(1 kHz, 100 W/6 ohms)

AV5 etc. 200 mV / 47 k-ohms

Maximum Input Signal / 最大許容入力 (1 kHz, 0.5 % THD)

AV5 etc. (EFFECT ON) 2.3 V

Output Level/Output Impedance / 出力電圧/出力インピーダンス

AV OUT 200 mV / 1.2 k-ohms

SUBWOOFER 1 V / 1.2 k-ohms

Headphone Jack Rated Output/Output Impedance /

ヘッドホン出力/出力インピーダンス (1 kHz, 50 mV, 8 ohms)

AV5 etc. input 100 mV / 470 ohms

Frequency Response / 再生周波数帯域 (10 Hz to 100 kHz)

AV5 etc., FRONT 0 / -3 dB

Signal to Noise Ratio / 信号対雑音比 (IHF-A network)

AV5, etc. (DIRECT) to SP OUT (Input shorted 250 mV)

..... 100 dB or more

Residual Noise / 残留ノイズ (IHF-A Network)

FRONT L/R to SP OUT 150 μ V or less

Channel Separation / チャンネルセパレーション

AV5, etc. (Input 5.1 k-ohms shorted)

1 kHz / 10 kHz 60 dB or more / 45 dB or more

Volume Control / 可変範囲/ステップ

..... MUTE / -80 dB to +16.5 dB / 0.5 dB step

Tone Control Characteristics / トーンコントロール特性

FRONT L/R

Bass

Boost/Cut \pm 6 dB / 0.5 dB step, at 50 Hz

Turnover frequency 350 Hz

Treble

Boost/Cut \pm 6 dB / 0.5 dB step, at 20 kHz

Turnover frequency 3.5 kHz

Filter Characteristics / フィルタ特性

FRONT, CENTER, SURROUND small (H.P.F.)

..... fc=40/60/80/90/100/110/120/160/200 Hz, 12 dB/oct.

SUBWOOFER small (L.P.F.)

..... fc=40/60/80/90/100/110/120/160/200 Hz, 24 dB/oct.

■ Video Section / ビデオ部

Video Signal Type / ビデオ信号方式

U, C, R, K, S, J models NTSC

T, A, B, G, F, L, H models PAL

Composite Video Signal Level / コンポジットビデオ信号

..... 1 Vp-p / 75 ohms

Component Video Signal Level / コンポーネントビデオ信号

Y 1 Vp-p / 75 ohms

Cb/Cr 0.7 Vp-p / 75 ohms

D4 Video Signal / D4 ビデオ信号 [J model]

Y 1 Vp-p / 75 ohms

Cb/Cr 0.7 Vp-p / 75 ohms

Video Maximum Input Level / ビデオ最大許容入力

(VIDEO Conversion Off)

..... 1.5 Vp-p or more

Video Signal to Noise Ratio / ビデオ信号対雑音比

..... 50 dB or more

Monitor Out Frequency Response / モニター出力周波数帯域

(VIDEO Conversion Off)

Component video signal level / コンポーネントビデオ信号

..... 5 Hz to 60 MHz, -3 dB

D4 video signal / D4 ビデオ信号 [J model]

..... 5 Hz to 60 MHz, -3 dB

■ FM Section / FM 部

Tuning Range / 受信周波数範囲

U, C models	87.5 to 107.9 MHz
R, L, S, H models	87.5 to 108.0 MHz / 87.50 to 108.00 MHz
T, K, A, B, G, F models	87.50 to 108.00 MHz
J model	76.0 to 90.0 MHz

50 dB Quieting Sensitivity / 50 dB SN 感度 (IHF)

(1 kHz, 100 % MOD.)

Mono	3 μV (20.8 dBf)
------	-----------------

Signal to Noise Ratio / 信号対雑音比 (IHF)

Mono	72 dB
Stereo	70 dB

Harmonic Distortion / 歪率 (1 kHz)

Mono	0.3 %
Stereo	0.5 %

Antenna Input / アンテナ入力

	75 ohms unbalanced
--	--------------------

■ AM Section / AM 部

Tuning Range / 受信周波数範囲

U, C models	530 to 1,710 kHz
R, L, S, H models	530 to 1,710 kHz / 531 to 1,611 kHz
T, K, A, B, G, F, J models	531 to 1,611 kHz

Antenna / アンテナ

	Loop antenna
--	--------------

■ General / 総合

Power Supply / 電源電圧

U, C models	AC 120 V, 60 Hz
R, S model	AC 110–120/220–240 V, 50/60 Hz
T model	AC 220 V, 50 Hz
K model	AC 220 V, 60 Hz
A model	AC 240 V, 50 Hz
B, G, F models	AC 230 V, 50 Hz
L, H models	AC 220–240 V, 50/60 Hz
J model	AC 100 V, 50/60 Hz

Power Consumption / 消費電力

U, C models	250 W / 320 VA
R, T, K, A, B, G, F, L, S, H models	250 W
J model	175 W

Standby Power Consumption (reference data) /

待機時消費電力 (参考値)

U, C, T, K, A, B, G, F, L, H, J models	0.3 W or less
R, S models	0.5 W or less

Maximum Power Consumption [R, L, S, H models]

	470 W
--	-------

Dimensions (W x H x D) / 寸法 (幅 × 高さ × 奥行き)

	435 x 151 x 315 mm (17-1/8" x 6" x 12-3/8")
--	---

Weight / 質量

	7.5 kg (16.5 lbs.)
--	--------------------

Finish / 仕上げ

[RX-V373]

T model	GD (Gold color)
U, C, R, T, K, A, B, G, F, L, S, H, J models	BL (Black color)
R, K, B, G, F, L, H models	TI (Titanium color)

[HTR-3065]

T model	GD (Gold color)
U, C, R, T, K, A, B, G, F, L, S, H models	BL (Black color)
G model	TI (Titanium color)

Accessories / 付属品

Remote control	x 1
Battery (R03, AAA, UM-4)	x 2
FM antenna (1.4 m)	x 1
AM antenna (1.3 m)	x 1
YPAO microphone (6.0 m)	x 1
Remote control sheet (T model)	x 1

* Specifications are subject to change without notice.

※ 参考仕様および外観は、製品の改良のため予告なく変更することがあります。

U	U.S.A. model	G	European model
C	Canadian model	F	Russian model
R	General model	L	Singapore model
T	Chinese model	S	Brazilian model
K	Korean model	H	Thai model
A	Australian model	J	Japanese model
B	British model		



Manufactured under license from Dolby Laboratories. Dolby, Pro Logic and the double-D symbol are trademarks of Dolby Laboratories.

ドルビーラボラトリーズからの実施権に基づき製造されています。「ドルビー」、「PRO LOGIC」およびダブルD記号  はドルビーラボラトリーズの商標です。



DTS-HD, the Symbol, & DTS-HD and the Symbol together are registered trademarks of DTS, Inc. Product includes software. © DTS, Inc. All Rights Reserved.

DTS-HD および記号は DTS 社の登録商標です。また、DTS-HD ロゴは DTS 社の商標です。製品にはソフトウェアを含みます。著作権 DTS 社。不許複製。

iPhone, iPod, iPod classic, iPod nano and iPod touch are trademarks of Apple Inc., registered in the U.S. and other countries.

iPhone、iPod、iPod classic、iPod nano、iPod touch は、米国およびその他の国々で登録されている Apple Inc. の商標です。



“HDMI,” the “HDMI” logo and “High-Definition Multimedia Interface” are trademarks, or registered trademarks of HDMI Licensing LLC.


HDMI、HDMI ロゴ、および High-Definition Multimedia Interface は、HDMI Licensing, LLC の商標または登録商標です。

x.v.Color™

"x.v.Color" is a trademark of Sony Corporation.

「x.v.Color」は、ソニー株式会社の商標です。



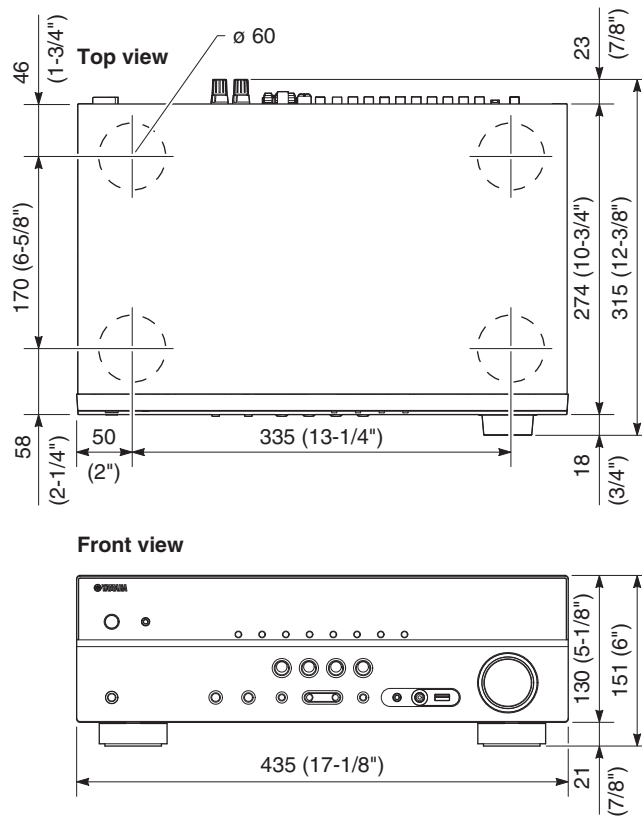
AAC ロゴマーク  はドルビーラボラトリーズの商標です。

**SILENT™
CINEMA**

"SILENT CINEMA" is a trademark of Yamaha Corporation.

「サイレントシネマ™ SILENT CINEMA™」はヤマハ株式会社の登録商標です。

• **DIMENSIONS**



Unit: mm (inch)
単位:mm (インチ)

• **SELECT MENU**

Sound field parameters

Category	Program	Parameter				
		Decode Type	Panorama: Off / On, [Off]	Center Width: 0 to 7, [3]	Dimension: -3 to +3, [0]	Center Image: 0.0 to 1.0, [0.3]
MOVIE	Standard					
	Spectacle					
	Sci-Fi					
	Adventure					
	Drama					
	Mono Movie					
	Sports					
	Action Game					
	Roleplaying Game					
MUSIC	Hall in Munich					
	Hall in Vienna					
	Chamber					
	Cellar Club					
	The Roxy Theatre					
	The Bottom Line					
	Music Video					
	2ch Stereo					
	5ch Stereo					
SUR. DECODE		● *1				
STRAIGHT						
ENHANCER	Enhancer On / Off					

● : Setting is possible
設定可

*1 Decode Type

Decode Type	<input checked="" type="checkbox"/> Pro Logic
	<input checked="" type="checkbox"/> PLII Movie
	<input checked="" type="checkbox"/> PLII Music
	<input checked="" type="checkbox"/> PLII Game
	Neo: 6 Cinema
	Neo: 6 Music

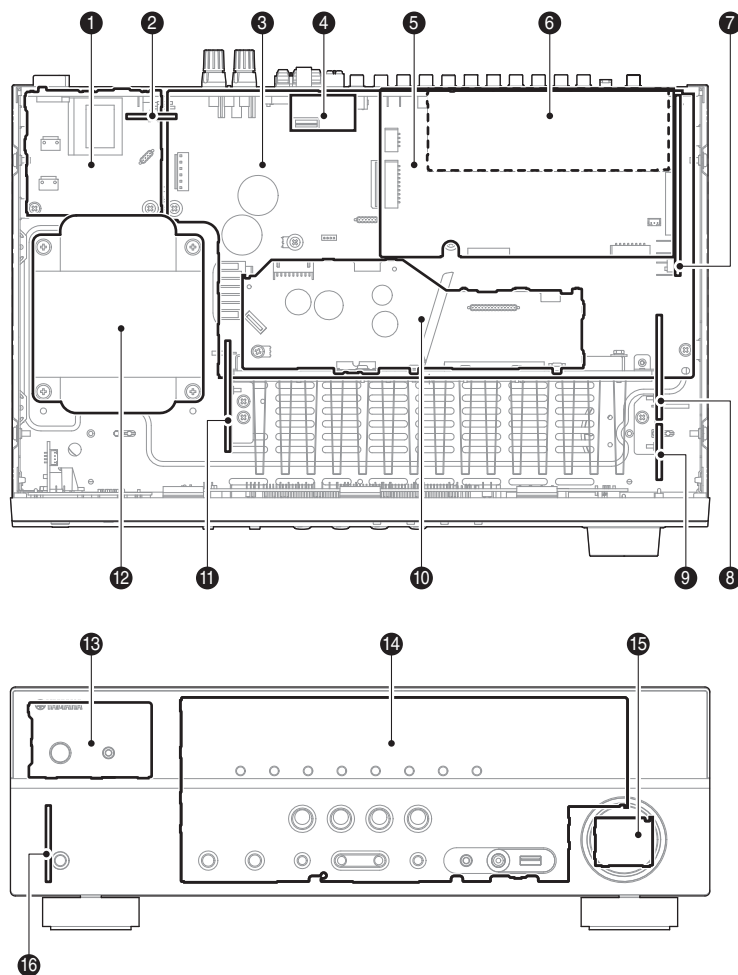
• SET MENU TABLE

MAIN MENU	SUB-MENU	PARAMETER	VALUE [INITIAL VALUE]	
Speaker	Configuration	Subwoofer	[Use] / None	
		Front	[Small] / Large	
		Center	[Small] / Large / None	
		Surround	[Small] / Large / None	
		Crossover	40 Hz / 60 Hz / [80 Hz] / 90 Hz / 100Hz / 110 Hz / 120 Hz / 160 Hz / 200 Hz	
		Subwoofer Phase	[Normal] / Reverse	
		Extra Bass	[Off] / On	
	Distance	Unit	Feet / Meter	
		Front L	0.30 to 24.00 m, [3.05 m], 0.05 m step	
		Front R	1.0 to 80.0 ft, [10.0 ft], 0.2 ft step	
		Center	0.30 to 24.00 m, [2.60 m], 0.05 m step 1.0 to 80.0 ft, [8.6 ft], 0.2 ft step	
		Surround L	0.30 to 24.00 m, [2.45 m], 0.05 m step	
		Surround R	1.0 to 80.0 ft, [8.0 ft], 0.2 ft step	
		Subwoofer	0.30 to 24.00 m, [3.05 m], 0.05 m step 1.0 to 80.0 ft, [10.0 ft], 0.2 ft step	
	Level	Front L	-10.0 to +10.0 dB, [0.0 dB], 0.5 dB step	
		Front R		
		Center	-10.0 to +10.0 dB, [-1.0 dB], 0.5 dB step	
		Surround L		
		Surround R		
	Subwoofer	-10.0 to +10.0 dB, [0.0 dB], 0.5 dB step		
	Equalizer	EQ Select	PEQ / [GEQ] / Off * "PEQ" is available only when the YPAO has been performed "PEQ" は自動測定 (YPAO) を行った場合のみ選択可能	
		GEQ Edit	Front L	63 Hz
			Front R	160 Hz
			Center	400 Hz
			Surround L	1 kHz
			Surround R	2.5 kHz 6.3 kHz 16 kHz
				-6.0 to +6.0 dB, [0 dB], 0.5 dB step
Test Tone		[Off] / On		
HDMI	Configuration	HDMI Control	[Off] / On	
		Audio Output	Amp	Off / [On]
			HDMI OUT (TV)	[Off] / On * This setting is available only when "HDMI Control" is set to "Off". "HDMI Control" が "Off" の場合のみ設定可能
	TV Audio Input		AV1 / AV2 / AV3 / [AV4] / AV5 / AUDIO1 / AUDIO2	
	Standby Sync		Off / On / [Auto]	
	ARC		Off / [On]	
	SCENE	BD / DVD	Off / [On]	
		TV		
		CD	[Off] / On	
		RADIO		

RX-V373/HTR-3065

MAIN MENU	SUB-MENU	PARAMETER	VALUE [INITIAL VALUE]
Sound	DSP Parameter	Panorama	[Off] / On
		Center Width	0 to 7, [3]
		Dimension	-3 to +3, [0]
		Center Image	0.0 to 1.0, [0.3]
	Lipsync	Select	Manual / [Auto]
		Adjustment	0 to 250 ms, [0 ms], 1 ms step
	Volume	Dynamic Range	[Maximum] / Standard / Min/Auto
		Max Volume	-30.0 to +15.0 dB / +16.5 dB (Maximum volume), [+16.5 dB], 5.0 dB step
		Initial Volume	[Off] / Mute / -80.0 to +16.5 dB, 0.5 dB step
ECO	Auto Power Down	U, C, R, T, K, A, L, S, H, J models: [Off] / 2 hours / 4 hours / 8 hours / 12 hours B, G, F models: Off / 2 Hours / 4 Hours / [8 Hours] / 12 Hours	
	ECO Mode	[Off] / On	
Function	Input Rename	Input sources: HDMI1 / HDMI2 / HDMI3 / HDMI4 / AV1 / AV2 / AV3 / AV4 / AV5 / AUDIO1 / AUDIO2 / USB / V-AUX Input is possible to 9 characters Input possible Character type Capital: A to Z Small: a to z Figure: 0 to 9 Symbols: # * + , - etc. Space Preset name select: Blu-ray / DVD / SetTopBox / Game / TV / DVR / CD / CD-R / Satellite / VCR / Tape / MD / PC / iPod / HD DVD	
	Dimmer	-4 to 0 (higher to brighten), [-2]	
	Memory Guard	[Off] / On	
Language		English (English) / Français (Franch) / Deutsch (German) / Español (Spanish) / Русский (Russian) / 中文 (Chinese) (U, C, R, T, K, A, B, G, F, L, S, H models)	

INTERNAL VIEW



- ① OPERATION (3) P.C.B.
- ② MAIN (3) P.C.B. (R, S models)
- ③ MAIN (1) P.C.B.
- ④ AM/FM TUNER
- ⑤ DIGITAL P.C.B.
- ⑥ MAIN (2) P.C.B.
- ⑦ OPERATION (4) P.C.B.
- ⑧ MAIN (4) P.C.B.
- ⑨ OPERATION (9) P.C.B.
- ⑩ OPERATION (2) P.C.B.
- ⑪ OPERATION (8) P.C.B.
- ⑫ POWER TRANSFORMER
- ⑬ OPERATION (7) P.C.B.
- ⑭ OPERATION (1) P.C.B.
- ⑮ OPERATION (6) P.C.B.
- ⑯ OPERATION (5) P.C.B.

SERVICE PRECAUTIONS / サービス時の注意事項

Safety measures

- Some internal parts in this product contain high voltages and are dangerous.
Be sure to take safety measures during servicing, such as wearing insulating gloves.
- Note that the capacitors indicated below are dangerous even after the power is turned off because an electric charge remains and a high voltage continues to exist there.
Before starting any repair work, connect a discharging resistor (5 k-ohms/10 W) to the terminals of each capacitor indicated below to discharge electricity.
The time required for discharging is about 30 seconds per each.

C46 and C47 on MAIN (1) P.C.B.

C1501 on OPERATION (3) P.C.B.

For details, refer to "PRINTED CIRCUIT BOARDS".

安全対策

- この製品の内部には高電圧部分があり危険です。修理の際は、絶縁性の手袋を使用するなどの安全対策を行ってください。
- 下記のコンデンサには電源を OFF にした後も電荷が残り、高電圧が維持されており危険です。
修理作業前に放電用抵抗 (5 k Ω /10 W) を下記の各コンデンサの端子間に接続して放電してください。
放電所用時間は各々約 30 秒間です。

MAIN (1) P.C.B. の C46、C47

OPERATION (3) P.C.B. の C1501

詳しくは "PRINTED CIRCUIT BOARDS" を参照してください。

■ DISASSEMBLY PROCEDURES / 分解手順

(Remove parts in the order as numbered.)

Disconnect the power cable from the AC outlet.

1. Removal of Top Cover

- Remove 5 screws (①) and 4 screws (②). (Fig. 1)
- Lift the rear of the top cover to remove it. (Fig. 1)

2. Removal of Front Panel Unit

- Remove 7 screws (③). (Fig. 1)
- Remove CB166, CB193, CB221 and CB281. (Fig. 1)
- Unlock and remove CB136. (Fig. 1)
- Release hook, and then remove the front panel unit. (Fig. 1)

(番号順に部品を外してください。)

AC 電源コンセントから、電源コードを抜いてください。

1. トップカバーの外し方

- ①のネジ 5 本、②のネジ 4 本を外します。(Fig. 1)
- トップカバーの後部を持ち上げ、外します。(Fig. 1)

2. フロントパネルユニットの外し方

- ③のネジ 7 本を外します。(Fig. 1)
- CB166、CB193、CB221、CB281 を外します。(Fig. 1)
- ロックを外し、CB136 を外します。(Fig. 1)
- フック 1 箇所を外し、フロントパネルユニットを外します。(Fig. 1)

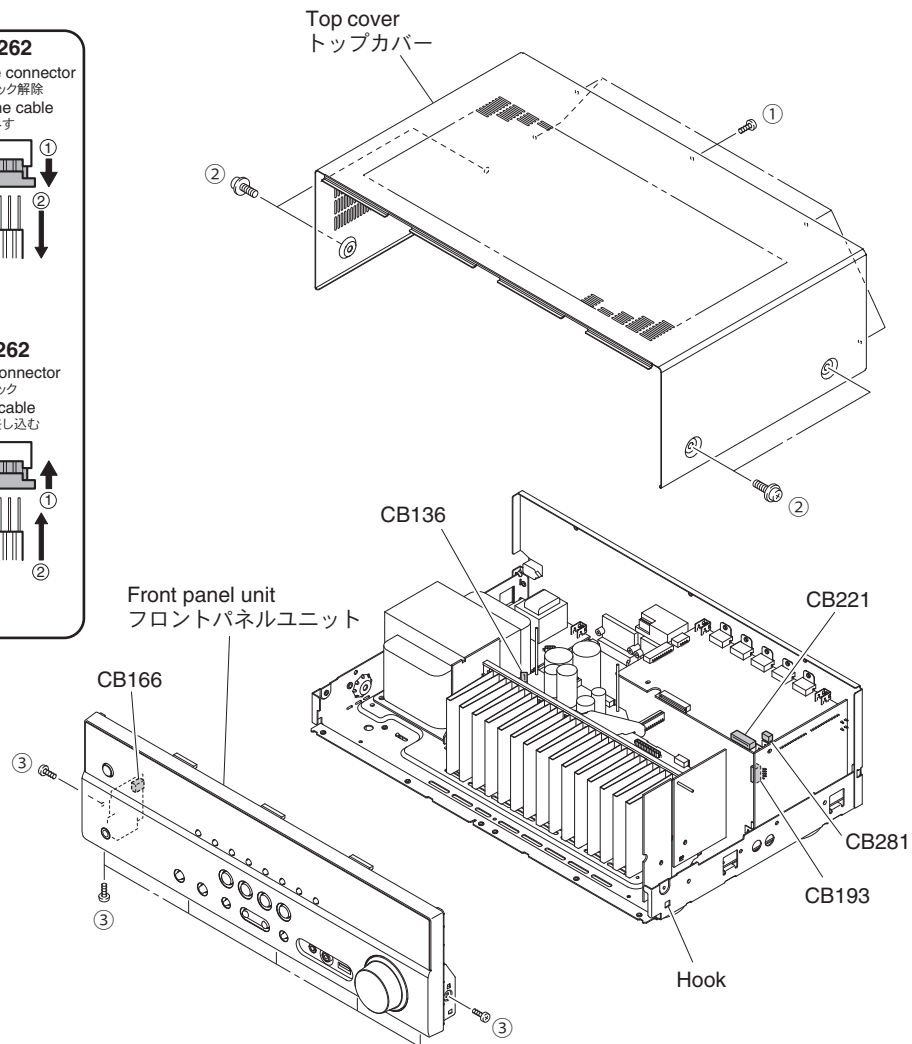
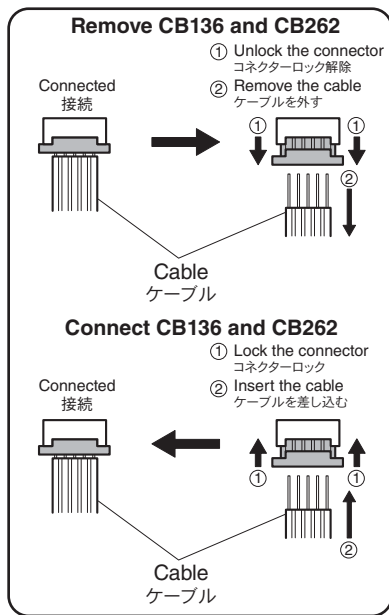


Fig. 1

3. Removal of DIGITAL P.C.B.

- a. Remove CB222 and CB223 (Fig. 2)
- b. Unlock and remove CB262. (Fig. 2)
- c. Remove screw (④). (Fig. 2)
- d. Remove 2 screws (⑤) and 5 screws (⑥). (Fig. 3)
- e. Remove the DIGITAL P.C.B. which is connected directly to the OPERATION (4) P.C.B. with board-to-board connectors. (Fig. 2)

3. DIGITAL P.C.B. の外し方

- a. CB222、CB223 を外します。(Fig. 2)
- b. ロックを外し、CB262 を外します。(Fig. 2)
- c. ④のネジ 1 本を外します。(Fig. 2)
- d. ⑤のネジ 2 本、⑥のネジ 5 本を外します。(Fig. 3)
- e. DIGITAL P.C.B. を外します。ただし、DIGITAL P.C.B. は OPERATION (4) P.C.B. に基板対基板コネクタで直接接続されています。(Fig. 2)

4. Removal of OPERATION (4) P.C.B.

- a. Remove CB194. (Fig. 2)
- b. Remove screw (⑦). (Fig. 2)
- c. Remove screw (⑧). (Fig. 3)
- d. Remove the OPERATION (4) P.C.B. which is connected directly to the MAIN (1) P.C.B. with board-to-board connectors. (Fig. 2)

4. OPERATION (4) P.C.B. の外し方

- a. CB194 を外します。(Fig. 2)
- b. ⑦のネジ 1 本を外します。(Fig. 2)
- c. ⑧のネジ 1 本を外します。(Fig. 3)
- d. OPERATION (4) P.C.B. を外します。ただし、OPERATION (4) P.C.B. は MAIN (1) P.C.B. に基板対基板コネクタで直接接続されています。(Fig. 2)

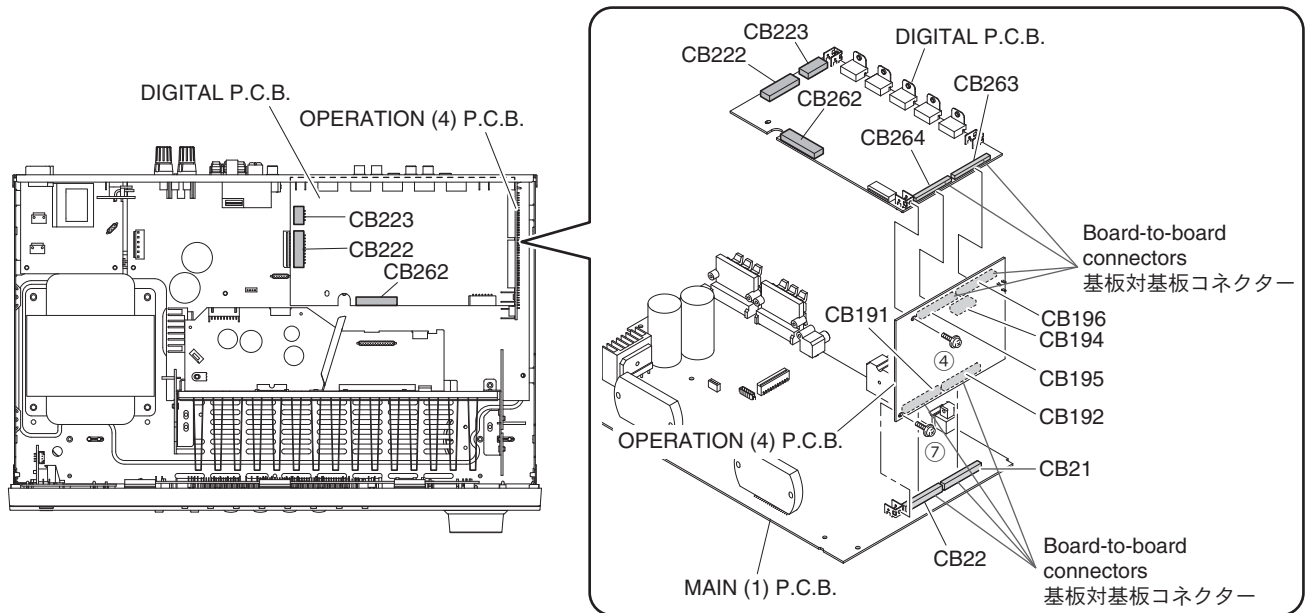


Fig. 2

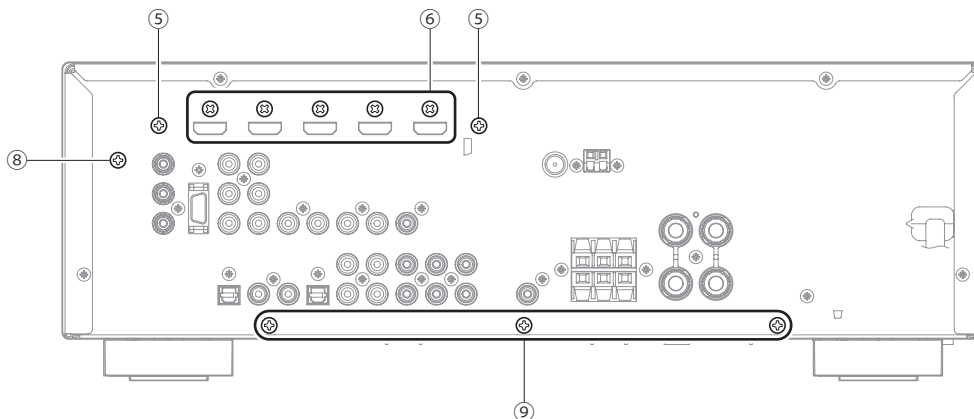


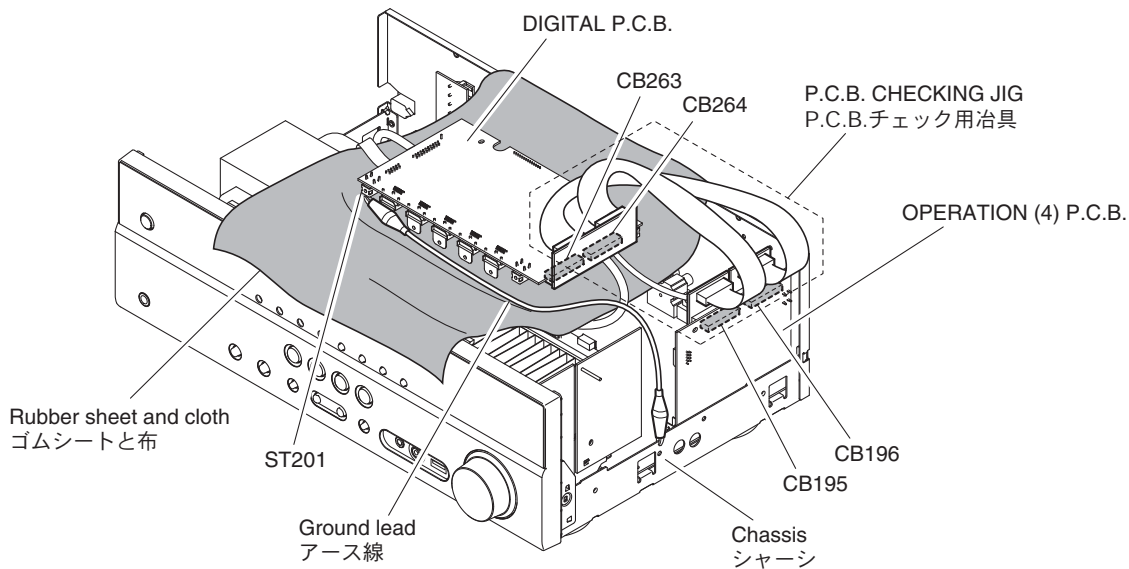
Fig. 3

When checking the DIGITAL P.C.B.:

- Put the rubber sheet and cloth over this unit, and place the DIGITAL P.C.B. on them. (Fig. 4)
- Connect ST201 on DIGITAL P.C.B. to the chassis with a ground lead. (Fig. 4)
- Reconnect all cables (connectors) that have been disconnected. Be sure to use the P.C.B. CHECKING JIG (Part No. WW483800) to connect between the following connectors.
 - CB263 on DIGITAL P.C.B. – CB196 on OPERATION (4) P.C.B.
 - CB264 on DIGITAL P.C.B. – CB195 on OPERATION (4) P.C.B.
- When connecting the flexible flat cable, be careful with polarity.

DIGITAL P.C.B. をチェックする場合には：

- 本機の上にゴムシートと布を敷き、その上に DIGITAL P.C.B. を置きます。(Fig. 4)
- DIGITAL P.C.B. の ST201 のアースをリード線でシャーシに接続してください。(Fig. 4)
- 外したケーブル (コネクタ) をすべて接続します。ただし下記のコネクター間を接続するには P.C.B. チェック用治具 (部品番号 : WW483800) を使用してください。
 - DIGITAL P.C.B. の CB263 – OPERATION (4) P.C.B. の CB196
 - DIGITAL P.C.B. の CB264 – OPERATION (4) P.C.B. の CB195
- フラットケーブルを接続する際、極性に注意してください。

**Fig. 4**

When checking the MAIN (1) P.C.B.:

- Remove the top cover. (Fig. 1)
- Remove 3 screws (⑨). (Fig. 3)
- Remove 5 screws (⑩) and 4 screws (⑪). (Fig. 5)
- Place the P.C.B.s (with rear panel) upright. (Fig. 6)
- Connect the heatsink, rear panel and MAIN (1) P.C.B. (G3) to the chassis with a ground lead. (Fig. 6)

MAIN (1) P.C.B. をチェックする場合には：

- トップカバーを外します。(Fig. 1)
- ⑨のネジ3本を外します。(Fig. 3)
- ⑩のネジ5本、⑪のネジ4本を外します。(Fig. 5)
- リアパネルと一緒にP.C.B.を立ち上げて置きます。(Fig. 6)
- ヒートシンク、リアパネル、MAIN (1) P.C.B.のG3のアースをリード線でシャーシに接続してください。(Fig. 6)

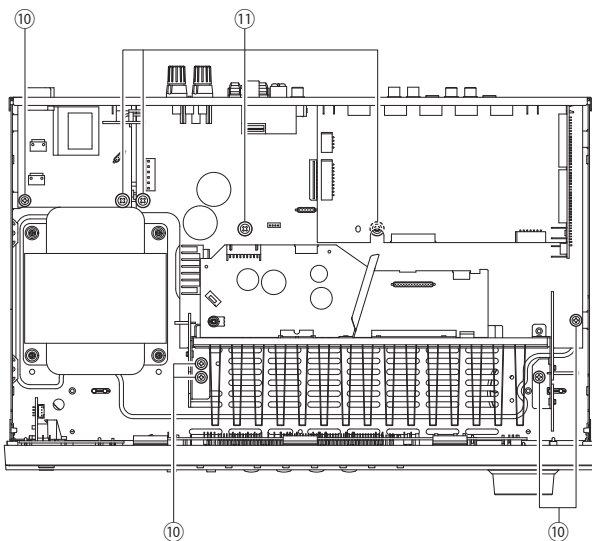


Fig. 5

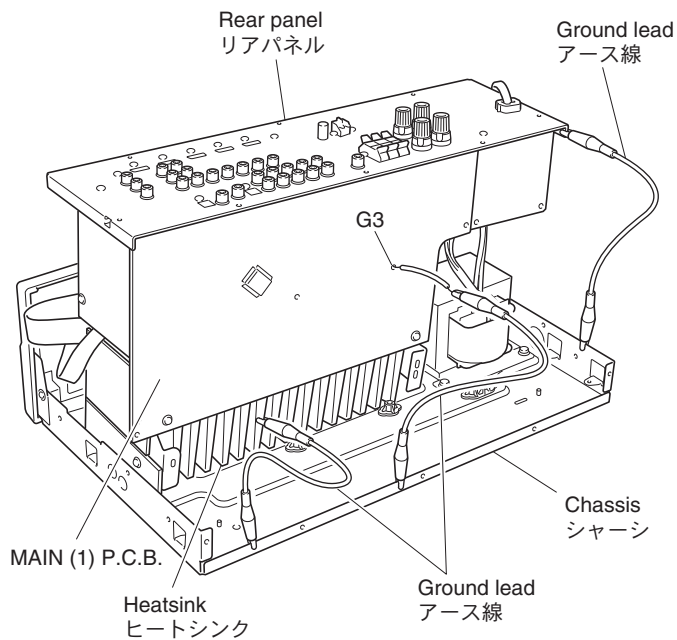


Fig. 6

■ UPDATING FIRMWARE / ファームウェアのアップデート

When the following parts are replaced, the firmware must be updated to the latest version.

DIGITAL P.C.B.

OSD FLASH ROM: IC201 on DIGITAL P.C.B.

USB FLASH ROM: IC222 on DIGITAL P.C.B.

DSP FLASH ROM: IC243 on DIGITAL P.C.B.

Note: There are 2 types procedures for updating the firmware. One is for the U, C, R, K, A, B, G, F, L, S, H and J models, and another is for the T model. Perform either depending on the destinations.

● Confirmation of firmware version and checksum

Before and after updating the firmware, check the firmware version and checksum by using the self-diagnostic function menu.

Start up the self-diagnostic function and select "25. ROM VER/SUM" menu.

Using the sub-menu, have the firmware version and checksum displayed, and note them down. (See "SELF-DIAGNOSTIC FUNCTION")

* When the firmware version is different from written one after updating, perform the updating procedure again from the beginning.

● Initializing the back-up IC (EEPROM: IC221 on DIGITAL P.C.B.)

After updating the firmware, the back-up IC MUST be initialized by the following procedure store the setting information (soundfield parameters, system memory and tuner presetting, etc.) properly.

Start up the self-diagnostic function and select "24. FACTORY PRESET" menu. (See "SELF-DIAGNOSTIC FUNCTION")

Select "PRESET RSRV", press the "⏻" (Power) key to turn off the power once and turn on the power again. Then the back-up IC is initialized.

下記の部品を交換した場合、ファームウェアを最新バージョンにアップデートする必要があります。

DIGITAL P.C.B.

OSD フラッシュ ROM : DIGITAL P.C.B. の IC201

USB フラッシュ ROM : DIGITAL P.C.B. の IC222

DSP フラッシュ ROM : DIGITAL P.C.B. の IC243

注意: ファームウェアアップデートの手順は2種類あります。ひとつはU、C、R、K、A、B、G、F、L、S、H、J仕向け用で、もうひとつはT仕向け用です。仕向け先に応じてどちらかを実行してください。

● ファームウェアのバージョンとチェックサムの確認

ファームウェアのアップデートの前後に、ファームウェアのバージョンとチェックサムをダイアグで確認します。

ダイアグを起動し、「25. ROM VER/SUM」メニューを選択します。

サブメニューでファームウェアのバージョンとチェックサムを表示し、それらを書きとめます。(「ダイアグ」参照)

※ アップデート後、ファームウェアのバージョンが書き込まれたものと異なる場合、アップデートの操作を最初からやり直してください。

● バックアップ IC の初期化 (EEPROM : DIGITAL P.C.B. の IC221)

ファームウェアのアップデート後、設定情報（音場プログラムのパラメーターやシステムメモリー、チューナープリセット等）を正常に保存するために、下記の方法でバックアップ IC を初期化する必要があります。

本機のダイアグを起動し、「24. FACTORY PRESET」メニューを選択します。(「ダイアグ」参照)

「PRESET RSRV」を選択し、「⏻」（電源）キーを押して電源を一度きってから、もう一度電源を入れるとバックアップ IC が初期化されます。

Updating U, C, R, K, A, B, G, F, L, S, H and J models

● Required Tools

- USB storage device
- Firmware
RX-V373/HTR-3065: R0303-xxx.bin

● Preparation

1. Download the latest firmware from the specified download source to the folder of the PC.
2. Copy the latest firmware from the PC to the root folder of the USB storage device.

Note: When the latest firmware is copied to a sub-folder of the USB storage device, the update will not proceed.

● Operation Procedures

1. Insert the USB storage device to the USB jack.
(Fig. 1)
2. While pressing the "INFO" key, connect the power cable to the AC outlet. (Fig. 1)

U、C、R、K、A、B、G、F、L、S、H、J 仕向けのアップデート

● 必要なツール

- USB フラッシュメモリ
- ファームウェア
RX-V373 / HTR-3065 : R0303-xxx.bin

● 準備

1. 指定のダウンロード先から、最新のファームウェアを PC のフォルダへダウンロードしてください。
2. PC から USB フラッシュメモリのルートフォルダへ最新のファームウェアをコピーします。

注意: 最新のファームウェアをサブフォルダにコピーした場合、書き込みはできません。

● 操作手順

1. USB 端子に USB フラッシュメモリを差し込みます。(Fig. 1)
2. "INFO" キーを押しながら、電源コードを AC コンセントに接続します。(Fig. 1)

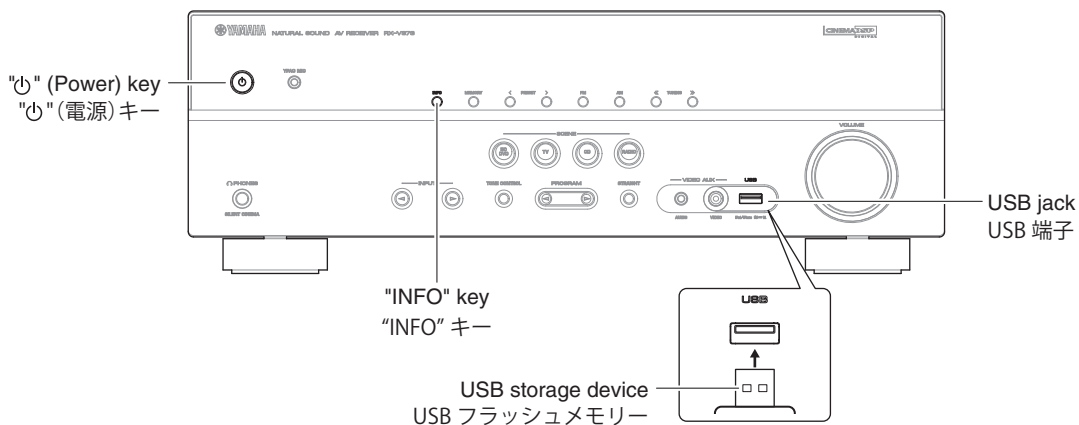


Fig. 1

- The USB UPDATE mode is activated and "USB Update" is displayed. Writing of the firmware starts automatically. (Fig. 2)

Writing is started. / 書き込み開始

USB Update



VERIFYING...



5x-x!xx%

Writing being executed. / 書き込み中

Fig. 2

- USB UPDATE モードが起動し、“USB Update” が表示されて、ファームウェアの書き込みが自動的に開始されます。(Fig. 2)

- When writing of the firmware is completed, "Update Success", "Please..." and "Power Off!" are displayed repeatedly. (Fig. 3)

Writing is completed. / 書き込み完了

Update Success



Please...



Power Off!

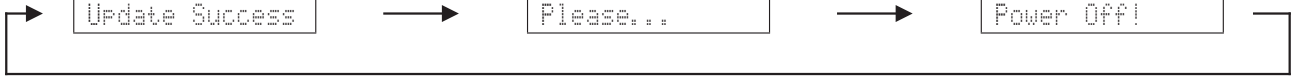


Fig. 3

- ファームウェアの書き込み完了後、“Update Success”、“Please...”、“Power Off!” が繰り返し表示されます。(Fig. 3)

- Press the “ ϕ ” (Power) key to turn off the power. (Fig. 1)
- Remove the USB storage device from the USB jack. (Fig. 1)
- Start up the self-diagnostic function and check that the firmware version and checksum are the same as written ones. (See “Confirmation of firmware version and checksum”)

- “ ϕ ” (電源) キーを押して電源を切ります。(Fig. 1)
- USB 端子から USB フラッシュメモリーを抜きます。(Fig. 1)
- ダイアグを起動し、ファームウェアのバージョンとチェックサムが、書き込まれたものと同じであることを確認します。(“ファームウェアのバージョンとチェックサムの確認” 参照)

Updating T model

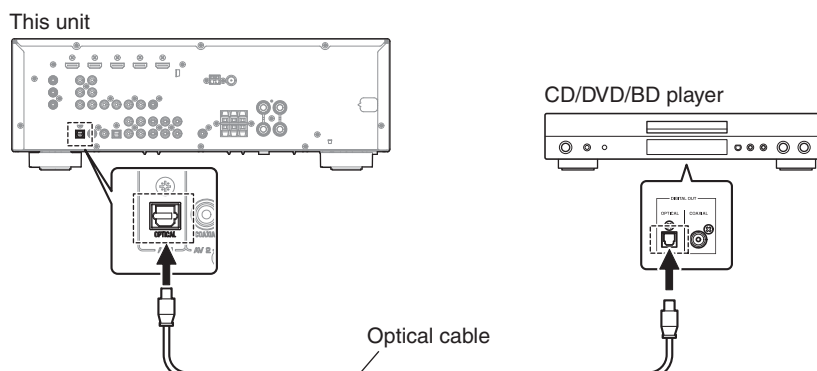
● Required Tools

- CD, DVD or BD player (with DIGITAL OUTPUT (OPTICAL or COAXIAL) jack)
 - * The following models can be used as a tool to update the firmware.
 - CD player: CD-C600/CD-S1000/CD-S2000/CD-S300/CD-S700/CDX-496/CDX-596/CDX-890
 - DVD player: DV-C6760/DVD-840/DVD-C740/DVD-C750/DVD-C940/DVD-C950/DVD-CX1/DVD-S1200/DVD-S1800/DVD-S2300(MKII)/DVD-S2700/DVD-S30/DVD-S510/DVD-S520/DVD-S530/DVD-S540/DVD-S550/DVD-S657/DVD-S700/DVD-S80/DVD-S840
 - BD player: BD-940/BD-S1065/BD-S1900/BD-S2900/BD-S671
 - Others: CDR-D651/CDR-HD1000/CDR-HD1300/CDR-HD1500/DV-SL100/CDX-E100/CRX-430/CRX-E150/RDX-E700
- Optical cable (when OPTICAL jack is used)
- Digital audio pin cable (when COAXIAL jack is used)
- Firmware CD
 - * Download the latest firmware from the specified download source and create the firmware CD.

● Connection

Connect a CD/DVD/BD player to this unit as shown below. (Fig. 4)

Example of connection between digital OPTICAL jacks



Example of connection between digital COAXIAL jacks

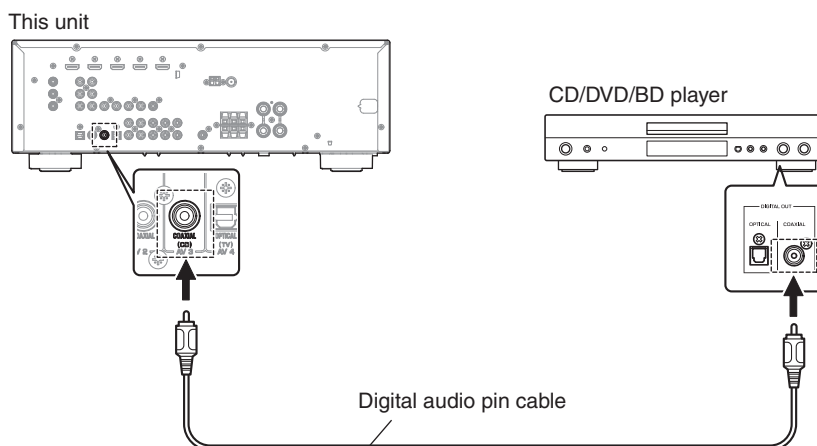


Fig. 4

● Operation Procedures

1. While pressing the "MEMORY" key, connect the power cable to the AC outlet. (Fig. 5)
The FIRMWARE UPDATE mode is activated and "CDDA Upgrader" is displayed. (Fig. 5)

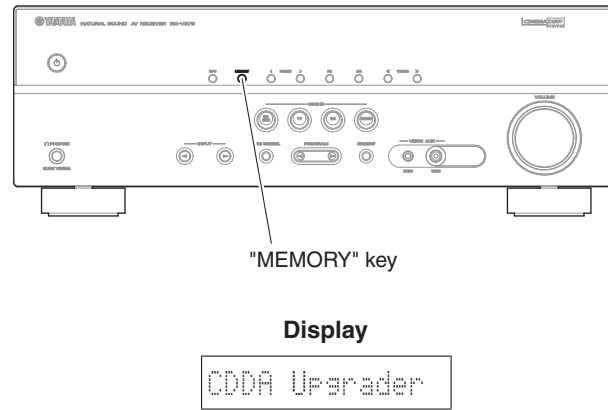


Fig. 5

2. Play the firmware CD on the CD/DVD/BD player. Writing of the firmware starts automatically. (Fig. 6)
3. When writing of the firmware is completed, "Update Success", "Please..." and "Power off!!" are displayed repeatedly. (Fig. 6)

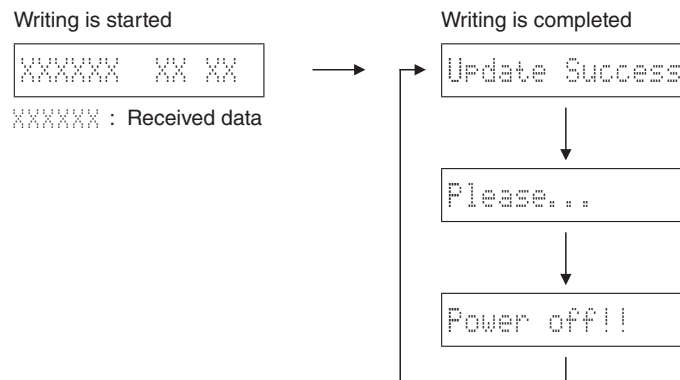


Fig. 6

* If the display remains unchanged for more than 10 seconds after starting the firmware CD play procedure, perform the firmware CD play procedure again from the beginning.

4. Press the "⏻" (Power) key to turn off the power.
5. Eject the firmware CD from the CD/DVD/BD player.
6. Start up the self-diagnostic function and check that the firmware version and checksum are the same as written ones. (See "Confirmation of firmware version and checksum")

■ SELF-DIAGNOSTIC FUNCTION / ダイアグ (自己診断機能)

This unit has self-diagnostic functions that are intended for inspection, measurement and location of faulty point.

There are 26 main menu items, each of which has sub-menu items.

Listed in the table below are main menu items and sub-menu items.

Note: Some of the menu items listed below may not apply to the models covered in this service manual.

本機には、検査、測定、不良個所の発見を目的にしたダイアグ (自己診断機能) があります。

ダイアグには 26 個のメインメニューがあり、そのそれぞれにサブメニューがあります。


下表はダイアグメニュー一覧です。

注意：以下のメニュー項目の一部は、このサービスマニュアルに記載されているモデルに適用されない場合があります。

No.	Main menu	Sub-menu	
1	BYPASS	1	ANALOG BYPASS
2	RAM THROUGH	1	RAM MARGIN
		2	RAM FULL ALL
		3	RAM FULL CENTER
		4	RAM FULL SURROUND
		5	RAM FULL SURROUND BACK (Not for service / サービスでは使用しません)
		6	RAM FULL SUBWOOFER
3	HDMI AUDIO	1	SPDIF
		2	Multi
		3	DSD
		4	ARC
4	SPEAKERS SET	1	FRONT: SML 0dB
		2	CENTER: NONE
		3	LFE/BASS: FRNT
		4	TONE: MAX
		5	TONE: MIN
		6	SPEAKER 6-ohms (Not for service / サービスでは使用しません)
5	LIMITER CONTROL (Not for service / サービスでは使用しません)	1	AC_B: Hi
		2	AC_B: Lo
		3	LIM/PLDET/THM
6	MIC CHECK (U, C, R, K, A, B, G, F, L, S, H, J models)	1	MIC CHECK
7	FL/MONITOR CHECK	1	INITIAL DISPLAY
		2	ALL SEGMENT OFF/MONITOR (VIDEO) MUTE
		3	ALL SEGMENT ON/MONITOR (COMPONENT) MUTE
		4	CHECK PATTERN 1
		5	CHECK PATTERN 2
8	MANUAL TEST	1	TEST ALL
9	AD DATA CHECK	1	PS/DC
		2	TH1/TH2 (U, C models)
		3	TH3
		4	AMP
		5	K1/K2
10	VIDEO CHECK	1	I2C
		2	DIGITAL COMPONENT (Not for service / サービスでは使用しません)
		3	DIGITAL CVBS (Not for service / サービスでは使用しません)
		4	DIGITAL Y/C (Not for service / サービスでは使用しません)
		5	ANALOG BYPASS


No.	Main menu	Sub-menu	
11	NO MENU	Invalidity	
12	NO MENU	Invalidity	
13	NO MENU	Invalidity	
14	NO MENU	Invalidity	
15	HDMI INFORMATION	1	MODEL NAME
		2	PRODUCT ID
16	HDMI SELECT	1	HDMI NONE
		2	HDMI IN 1
		3	HDMI IN 2
		4	HDMI IN 3
		5	HDMI IN 4
17	USB (U, C, R, K, A, B, G, F, L, S, H, J models)	1	USB FILE 1
		2	USB FILE 2
		3	USB IPL: OK
		4	USB iPod CHECK
18	NO MENU	Invalidity	
19	BUS CHECK	1	TI BUS:
		2	EEPROM:
20	NO MENU	Invalidity	
21	PROTECTION HISTORY	1	HISTORY 1
		2	HISTORY 2
		3	HISTORY 3
		4	HISTORY 4
22	SOFT SWITCH	1	SWITCH MODE
		2	MODEL
		3	DESTINATION
23	UPDATE (Not for service / サービスでは使用しません)	1	TI FLASH BOOT
24	FACTORY PRESET	1	PRESET INHIBIT
		2	PRESET RESERVED
25	ROM VER/SUM/PORT	1	SYSTEM VERSION
		2	FIRMWARE VERSION
		3	ALL CHECKSUM
		4	TI (DSP) FLASH ROM VERSION
		5	TI (DSP) FLASH ROM CHECKSUM
		6	OSD FLASH ROM VERSION
		7	OSD FLASH ROM CHECKSUM
		8	USB FLASH ROM VERSION
		9	USB FLASH ROM CHECKSUM
		10	MODEL/DESTINATION
		11	Verify (Not for service / サービスでは使用しません)
26	MODEL/DESTINATION (Not for service / サービスでは使用しません)	1	MODEL/DEST
		2	M/D:

● Starting Self-Diagnostic Function

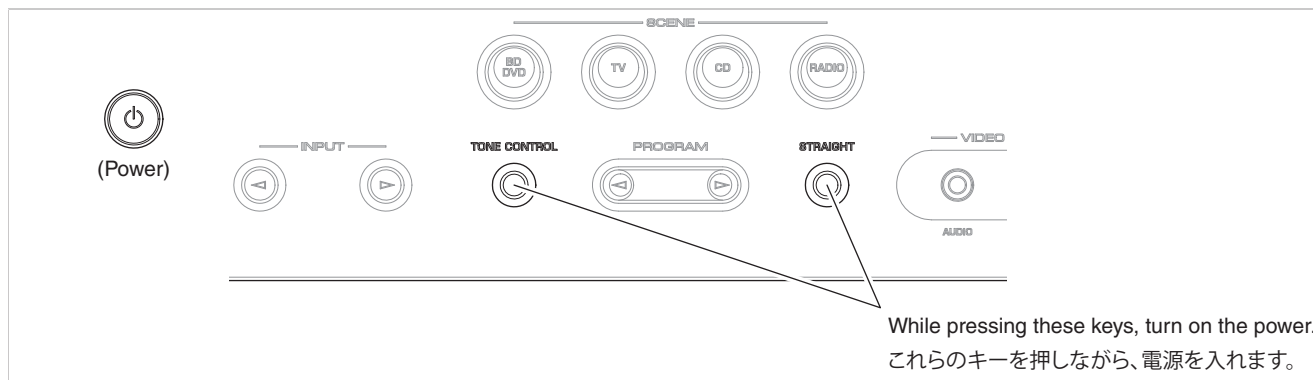
While pressing the “TONE CONTROL” and “STRAIGHT” keys, press the “” (Power) key to turn on the power, and release those 2 keys.

The self-diagnostic function mode is activated.

● ダイアグの起動



“TONE CONTROL” と “STRAIGHT” キーを押しながら “” (電源) キーを押して電源を入れた後、2つのキーを放します。ダイアグが起動します。

Keys of this unit / 本機キー



● Starting Self-Diagnostic Function in the protection cancel mode

If the protection function works and causes hindrance to troubleshooting, cancel the protection function by the procedure below, and it will be possible to enter the self-diagnostic function mode. (The protection functions other than the excess current detect function will be disabled.)

While pressing the “TONE CONTROL” and “STRAIGHT” keys, press the “” (Power) key to turn on the power and keep pressing those 2 keys and “” (Power) key for 3 seconds or longer.

The self-diagnostic function mode is activated with the protection functions disabled.

In this mode, the “SLEEP” segment of the FL display flashes to indicate that the mode is self-diagnostic function mode with the protection functions disabled.

● プロテクション解除モードでの起動

プロテクションが動作することにより、故障箇所の診断に支障をきたすような場合は、次の方法によりプロテクションを解除した状態でダイアグモードに入ることができます。(過電流検出以外のプロテクション動作を解除する)

“TONE CONTROL” と “STRAIGHT” キーを押しながら “” (電源) キーを押して電源を入れ、2つのキーと “” (電源) キーを3秒以上押し続けます。

プロテクション解除モードでダイアグが起動します。

このモードではFLの“SLEEP”セグメントが点滅し、プロテクションを解除した状態でのダイアグモードであることを知らせます。

CAUTION!

Using this unit with the protection function disabled may cause further damage to this unit. Use special care for this point when using this mode.

注意！

プロテクションを解除した状態でのダイアグモードは、危険な状態でもプロテクションが作動しないため、動作させると、本機を破壊することがあります。このモードを使用する場合は十分注意してください。

● Canceling Self-Diagnostic Function

- Before canceling self-diagnostic function, execute setting for "24. FACTORY PRESET" menu. (Memory initialization inhibited or Memory initialized).
 - * In order to keep the user memory preserved, be sure to select PRESET INHIBIT (Memory initialization inhibited).
- Press the "⏻" (Power) key to turn off the power.

● ダイアグの解除

- ダイアグを解除する前に、“24. FACTORY PRESET”メニュー（メモリーの初期化禁止／またはメモリーの初期化）の設定をします。
 - ※ ユーザーメモリーを保持したい場合は、必ず PRESET INHIBIT（メモリー初期化禁止）を選択してください。
- “⏻”（電源）キーを押して電源を切ります。

● Display provided when Self-Diagnostic Function started

The display is as described below depending on the situation when the power to this unit is turned off.

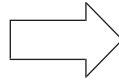
1. When the power is turned off by usual operation:

“NO PROTECT” is displayed. Then “1. ANALOG BYPASS” is displayed in a few seconds.

Opening message / オープニング表示

NO PROTECT

After a few seconds / 数秒後



1. ANALOG BYPASS

● ダイアグ起動時の表示

本機の電源が切れたときの状況により、下記のように表示されます。

1. 通常の操作で電源を切った場合：

“NO PROTECT” が表示されます。数秒後、“1. ANALOG BYPASS” が表示されます。

Main menu display / メインメニュー表示

2. When the protection function worked to turn off the power:

The information of protection function which worked at that time is displayed. Then "1. ANALOG BYPASS" is displayed in a few seconds.

Note: At that time if you restart the self-diagnostic function after turning off the power once, "NO PROTECT" will be displayed. That is because that situation is equal to "1. When the power is turned off by usual operation:".

However history of the protection function is stored in memory as backup data. For details, refer to "21. PROTECTION HISTORY" menu.

2-1. When there is a history of protection function due to excess current.

I PROTECT

Cause: An excessive current flowed through the power amplifier.

Supplementary information: As current of the power amplifier is detected, the abnormal channel can be identified by checking the current detect transistor.

Turning on the power without correcting the abnormality will cause the protection function to work immediately and the power supply will instantly be shut off.

Notes:

- Applying the power to this unit without correcting the abnormality can be dangerous and cause additional circuit damage. To avoid this, if "I PROTECT" protection function works 1 time, the power will not turn on even when the "⏻" (Power) key is pressed. In order to turn on the power again, start up the self-diagnostic function.
- The output transistors in each amplifier channel should be checked for damage before applying power to this unit.
- Amplifier current should be monitored by measuring DC voltage across the emitter resistors for each channel.

2. プロテクションが働いて電源が切れた場合：

そのときに働いたプロテクションの情報が表示されます。数秒後、「1. ANALOG BYPASS」が表示されます。

注) このとき、一旦電源を切った後にダイアグを再起動すると、「NO PROTECT」が表示されます。それは、その状況が「1. 通常の操作で電源を切った場合：」と同じだからです。

ただし、プロテクションの履歴はバックアップデータとしてメモリーに保存されます。詳細は、「21. PROTECTION HISTORY」メニューを参照してください。

2-1. 過電流によるプロテクション履歴がある場合

原因： パワーアンプに過電流が流れた。

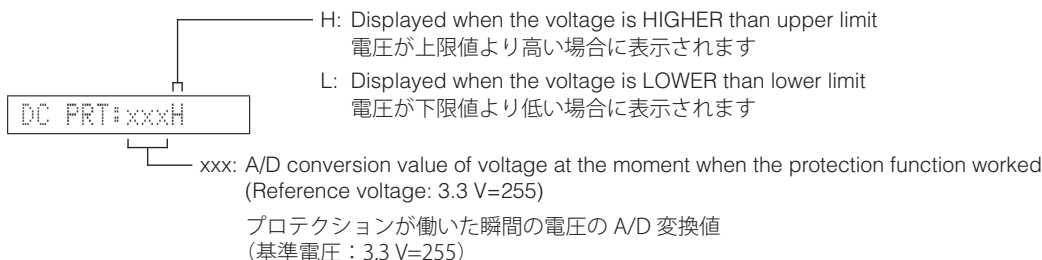
補足： パワーアンプの電流を検出していますので、電流検出トランジスタをチェックすれば異常チャンネルが特定できます。

異常状態のまま電源を入れると、瞬時にプロテクションが働き、すぐに電源が切れます。

注意：

- 異常状態のまま本機の電源を入れると、危険な状態になり、さらに回路が損傷を受ける原因になります。それを避けるために、「I PROTECT」が1回働いた場合、それ以降「⏻」（電源）キーを押しても電源が入らなくなります。再度電源を入れる場合、ダイアグを起動してください。
- 本機の電源をいれる前に、各パワーアンプの出力トランジスタに損傷がないかチェックしてください。
- パワーアンプの電流は、各チャンネルのエミッターの抵抗器間 DC 電圧を測定することによりモニターしてください。

2-2. When the protection function worked due to abnormal DC output.



Cause: DC output of the power amplifier is abnormal.

Supplementary information: The protection function worked due to a DC voltage appearing at the speaker terminal. A cause could be a defect in the amplifier.

Turning on the power without correcting the abnormality will cause the protection function to work in 5 seconds and the power supply will be shut off.

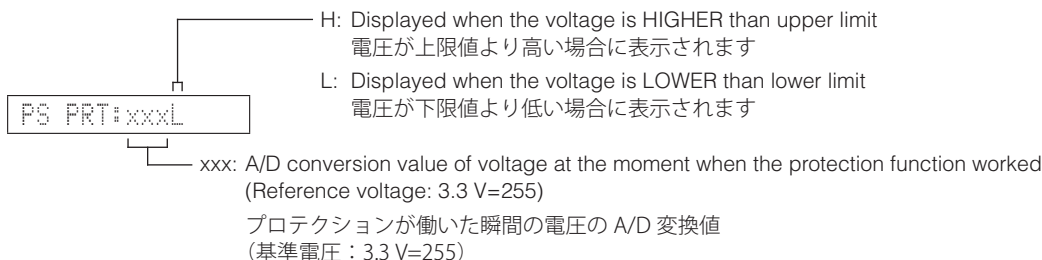
2-2. DC 出力異常によりプロテクションが働いた場合

原因: パワーアンプの DC 出力が異常。

補足: アンプの故障でスピーカー端子に直流電圧が掛かるなどが原因で、プロテクションが働いたことを示します。

異常状態のまま電源を入れると、5 秒後にプロテクションが働き、電源が切れます。

2-3. When the protection function worked due to abnormal voltage in the power supply section.



Cause: The voltage in the power supply section is abnormal.

Supplementary information: The protection function worked due to a defect or overload in the power supply.

Turning on the power without correcting the abnormality will cause the protection function to work in 1 seconds and the power supply will be shut off.

2-3. 電源部の電圧異常によりプロテクションが働いた場合

原因: 電源部の電圧が異常。

補足: 電源電圧による原因で、プロテクションが働いたことを示します。

異常状態のまま電源を入れると、1 秒後にプロテクションが働き、電源が切れます。

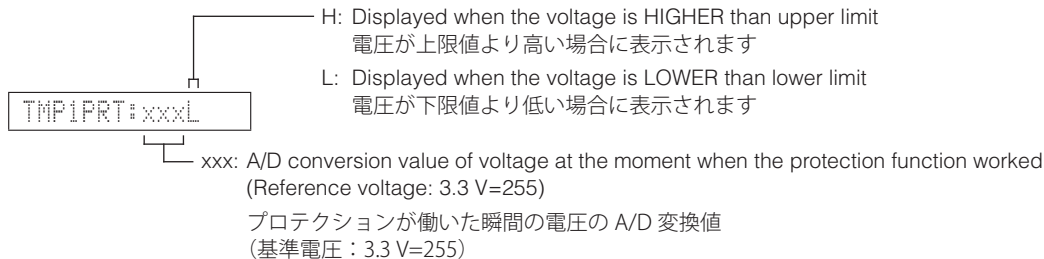
Notes:

- Applying the power to this unit without correcting the abnormality can be dangerous and cause additional circuit damage. To avoid this, if "PS" and "DC" protection function works 3 times consecutively, the power will not turn on even when the "⏻" (Power) key is pressed. In order to turn on the power again, start up the self-diagnostic function.
- The output transistors in each amplifier channel should be checked for damage before applying power to this unit.
- Amplifier current should be monitored by measuring DC voltage across the emitter resistors for each channel.

注意:

- 異常状態のまま本機の電源を入れると、危険な状態になり、さらに回路が損傷を受ける原因になります。それを避けるために、「DC」、「PS」プロテクションが連続して 3 回目働いた場合、それ以降 "⏻" (電源) キーを押しても電源が入らなくなります。再度電源を入れる場合、ダイアグを起動してください。
- 本機の電源をいれる前に、各パワーアンプの出力トランジスタに損傷がないかチェックしてください。
- パワーアンプの電流は、各チャンネルのエミッターの抵抗器間 DC 電圧を測定することによりモニターしてください。

2-4. When the protection function worked due to excessive heatsink temperature.



Cause: The temperature of the heatsink is excessive.

Supplementary information: The protection function worked due to the temperature limit being exceeded. Causes could be poor ventilation or a defect related to the thermal sensor.

Turning on the power without correcting the abnormality will cause the protection function to work in 1 seconds and the power supply will be shut off.

2-4. ヒートシンクの異常温度によりプロテクションが働いた場合

原因: ヒートシンクの温度が異常。

補足: 温度制限を越えた原因で、プロテクションが働いたことを示します。

異常状態のまま電源を入れると、1秒後にプロテクションが働き、電源が切れます。

● History of protection function

When the protection function has worked, its history is stored in memory as backup data.

Even if no abnormality is noted while servicing the unit, an abnormality which has occurred previously can be defined as long as the backup data has been stored.

For details, refer to "21. PROTECTION HISTORY" menu.

● プロテクションの履歴

プロテクションが働いた場合、その履歴はバックアップデータとしてメモリーに保存されます。

修理のときに異常が認められなくても、バックアップデータが残っていれば、お客様のところで起きた異常を区別できます。

詳細は、「21. PROTECTION HISTORY」メニューを参照してください。

● Operation procedure of Main menu and Sub-menu

There are 26 main menu items, each of which has sub-menu items.

Main menu selection

Select the main menu using "SCENE TV" (forward) and "SCENE BD/DVD" (reverse) keys.

Sub-menu selection

Select the sub-menu using "SCENE RADIO" (forward) and "SCENE CD" (reverse) keys.

● メインメニューとサブメニューの操作

ダイアグには 26 個のメインメニューがあり、そのそれぞれにサブメニューがあります。

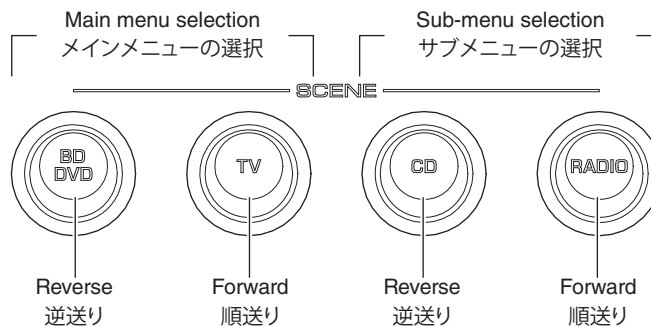
メインメニューの選択

"SCENE TV" (順送り)、"SCENE BD/DVD" (逆送り) キーで選択します。

サブメニューの選択

"SCENE RADIO" (順送り)、"SCENE CD" (逆送り) キーで選択します。

Keys of this unit / 本機キー



● Functions in Self-Diagnostic Function mode

In addition to the self-diagnostic function menu items, functions listed below are available.

- Power ON/OFF
- Master volume
- Muting
- Input selection

* Functions related to the tuner and the set menu are not available.

● ダイアグ中の機能

ダイアグメニューの他に、以下の機能が動作します。

- 電源 オン/オフ
- マスターボリューム
- ミューティング
- インプットセレクト

※ チューナー関連、セットメニュー関連は機能しません。

● Initial settings when Self-Diagnostic Function started

The following initial settings are used when self-diagnostic function is started.

- Master volume: -20 dB
- Input: AV5
- Main menu: 1. ANALOG BYPASS
- Speaker setting: LARGE, Bass out to SWFR (All channels)
- HDMI Control: Off

* When self-diagnostic function is canceled, these settings are restored to those before starting self-diagnostic function.

● ダイアグ開始時の初期設定

ダイアグ開始時に以下のような設定になります。

- マスターボリューム: -20 dB
- インプット: AV5
- メインメニュー: 1. ANALOG BYPASS
- スピーカー設定: LARGE、Bass out to SWFR (すべてのチャンネル)
- HDMI コントロール: OFF

※ ダイアグ解除時にはダイアグ開始前の状態に戻ります。

● Details of Self-Diagnostic Function menu

1. BYPASS

This menu is used to check audio signal route of PURE DIRECT mode.

1-1. ANALOG BYPASS

The analog input audio signal is output to FRONT L/R channels in PURE DIRECT mode.

1. ANALOG BYPASS

INPUT: AV5 ANALOG

SPEAKER OUT: 1 kHz, SUBWOOFER OUTPUT: 50 Hz

Input level	Volume	SPEAKER OUTPUT			SUBWOOFER OUTPUT
		FRONT	CENTER	SURROUND	
Both ch, -20 dBm	+6.5 dB	+11.5 dBm	-∞	-∞	-∞

2. RAM THROUGH

This menu is used to check audio signal route via DSP.

2-1. RAM MARGIN

The audio signal is output including the head margin.

* When input source is stereo, signal is assigned as below.

Front L: Front L, Center, Surround L

Front R: Front R, Surround R

Front L +10 dB: Subwoofer

2. RAM MARGIN

INPUT: AV5 ANALOG

SPEAKER OUT: 1 kHz, SUBWOOFER OUTPUT: 50 Hz

Input level	Volume	SPEAKER OUTPUT			SUBWOOFER OUTPUT
		FRONT	CENTER	SURROUND	
Both ch, -20 dBm	+6.5 dB	+11.5 dBm	+11.5 dBm	+11.5 dBm	-6.5 dBm

● ダイアグメニュー詳細

1. BYPASS

PURE DIRECT モードの音声信号の経路をチェックします。

1-1. ANALOG BYPASS

アナログ入力の音声信号が PURE DIRECT モードで FRONT L/R チャンネルへ出力されます。

2. RAM THROUGH

DSP を経由する音声信号の経路をチェックします。

2-1. RAM MARGIN

音声信号がヘッドマージンを含んで出力されます。

※ 2ch 信号入力時、以下のように信号が振り分けられて出力されます。

Front L : Front L、Center、Surround L

Front R : Front R、Surround R

Front L +10 dB : Subwoofer

2-2. RAM FULL ALL

The SUBWOOFER signal is output including the head margin.

The audio signal other than SUBWOOFER is output without including the head margin.

2-2. RAM FULL ALL

サブウーファースの音声信号がヘッドマージンを含んで出力されます。

サブウーファー以外の音声信号はヘッドマージンを含まず出力されます。

2. RAM FULL ALL

INPUT: AV5 ANALOG

SPEAKER OUT: 1 kHz, SUBWOOFER OUTPUT: 50 Hz

Input level	Volume	SPEAKER OUTPUT			SUBWOOFER OUTPUT
		FRONT	CENTER	SURROUND	
Both ch, -20 dBm	+6.5 dB	+11.5 dBm	+11.5 dBm	+11.5 dBm	-6.5 dBm

2-3. RAM FULL CENTER

The audio signal is output to only CENTER channel in digital full bit without including the head margin.

2-3. RAM FULL CENTER

音声信号がヘッドマージンを含まず、デジタルフルビットでCENTERチャンネルのみへ出力されます。

2. RAM FULL C

INPUT: AV5 ANALOG

SPEAKER OUT: 1 kHz, SUBWOOFER OUTPUT: 50 Hz

Input level	Volume	SPEAKER OUTPUT			SUBWOOFER OUTPUT
		FRONT	CENTER	SURROUND	
Both ch, -20 dBm	+6.5 dB	-∞	+11.5 dBm	-∞	-∞

2-4. RAM FULL SURROUND

The audio signal is output to only SURROUND L/R channels in digital full bit without including the head margin.

2-4. RAM FULL SURROUND

音声信号がヘッドマージンを含まず、デジタルフルビットでSURROUND L/Rチャンネルのみへ出力されます。

2. RAM FULL SUR

INPUT: AV5 ANALOG

SPEAKER OUT: 1 kHz, SUBWOOFER OUTPUT: 50 Hz

Input level	Volume	SPEAKER OUTPUT			SUBWOOFER OUTPUT
		FRONT	CENTER	SURROUND	
Both ch, -20 dBm	+6.5 dB	-∞	-∞	+11.5 dBm	-∞

2-5. RAM FULL SURROUND BACK

Not for service.

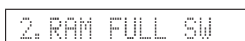


2-5. RAM FULL SURROUND BACK

サービスでは使用しません。

2-6. RAM FULL SUBWOOFER

The audio signal is output to only SUBWOOFER channel including the head margin.



2-6. RAM FULL SUBWOOFER

音声信号がヘッドマージンを含んで、SUBWOOFER チャンネルのみへ出力されます。

INPUT: AV5 ANALOG
SPEAKER OUT: 1 kHz, SUBWOOFER OUTPUT: 50 Hz

Input level	Volume	SPEAKER OUTPUT			SUBWOOFER OUTPUT
		FRONT	CENTER	SURROUND	
Both ch, -20 dBm	+6.5 dB	-∞	-∞	-∞	-6.5 dBm

RX-V373/HTR-3065

3. HDMI AUDIO

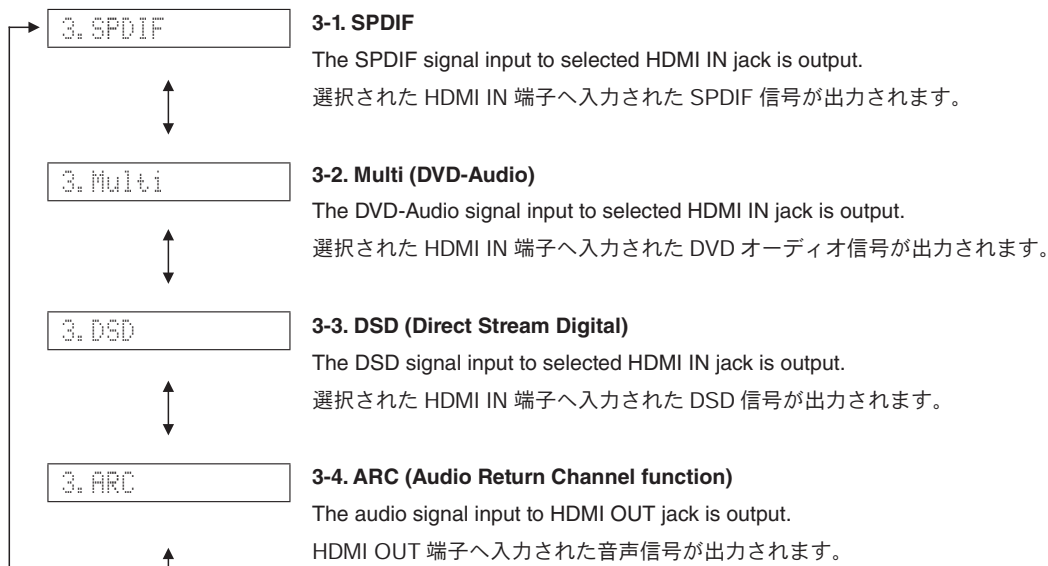
This menu is used to check the route of audio signal input to HDMI IN/OUT jacks.

- * Before the check, the following equipment must be connected to this unit with an HDMI cable.
 - Audio equipment with DSD signal output function
 - TV that supports ARC

3. HDMI AUDIO

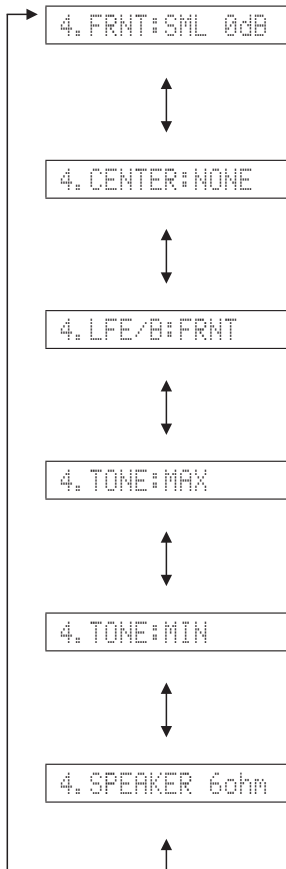
HDMI IN/OUT 端子へ入力された音声信号の経路をチェックします。

- ※ チェックの前に下記の機器と本機を HDMI ケーブルで接続する必要があります。
 - DSD 信号出力機能を備えたオーディオ機器
 - ARC 対応の TV



4. SPEAKERS SET

This menu is used to check the speaker output.



- 4-1. FRONT: SML 0dB**
The FRONT L/R signal, when 90 Hz or lower, is mixed to the channel specified by LFE/BASS.
FRONT L/R 信号 (90 Hz 以下) が、LFE/BASS で指定したチャンネルへミックスされます。
- 4-2. CENTER: NONE**
The CENTER signal is distributed to FRONT L/R channels.
CENTER 信号が、FRONT L/R チャンネルへ振り分けられます。
- 4-3. LFE / BASS: FRONT**
The LFE/BASS signal is distributed to FRONT L/R channels.
LFE/BASS 信号が、FRONT L/R チャンネルへ振り分けられます。
- 4-4. TONE: MAX**
The audio signal is output with the tone control "BASS +6 dB", "TREBLE +6 dB".
音声信号が、トーンコントロール "BASS +6 dB"、"TREBLE +6 dB" で出力されます。
- 4-5. TONE: MIN**
The audio signal is output with the tone control "BASS -6 dB", "TREBLE -6 dB".
音声信号が、トーンコントロール "BASS -6 dB"、"TREBLE -6 dB" で出力されます。
- 4-6. SPEAKER 6 ohms**
Not for service.
サービスでは使用しません。

5. LIMITER CONTROL

Not for service.



5. LIMITER CONTROL

サービスでは使用しません。

6. MIC CHECK

(U, C, R, K, A, B, G, F, L, S, H models)

6-1. MIC ROUTE CHECK

The audio signal input to the YPAO MIC jack is output to FRONT L channel via A/D-D/A.

6. MIC CHECK

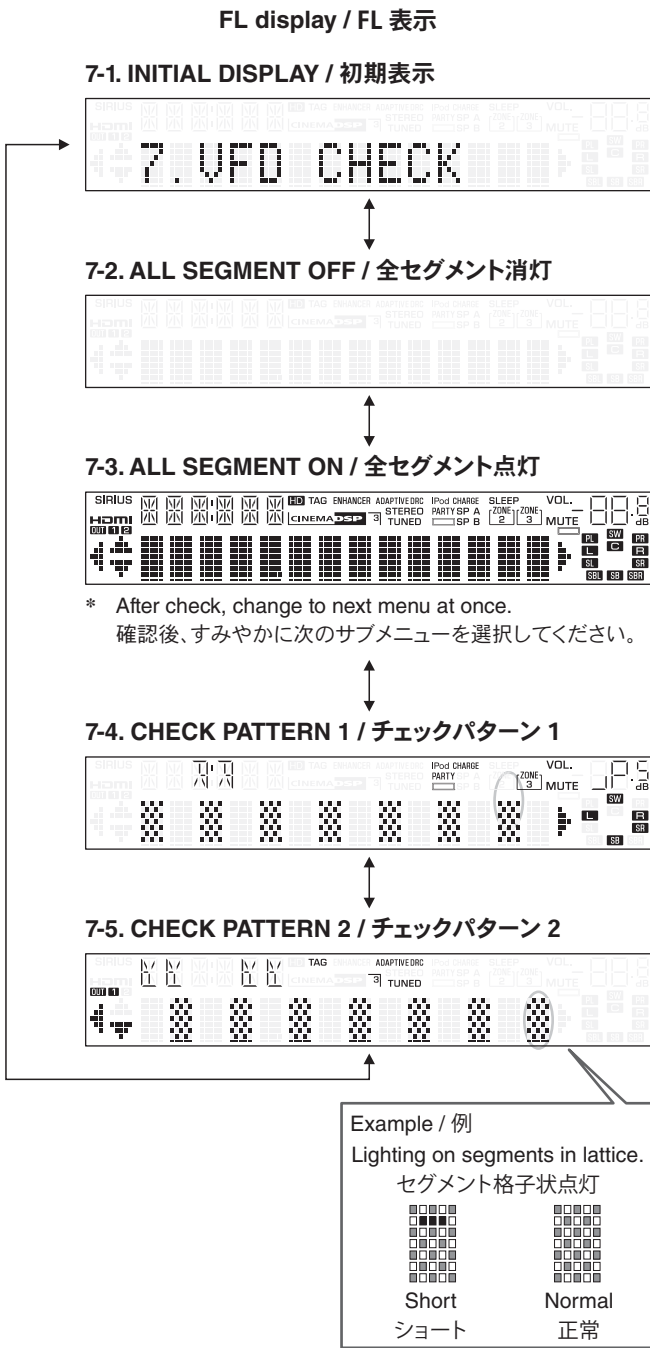
6-1. MIC ROUTE CHECK

YPAO マイク端子へ入力された音声信号が A/D - D/A 経由で FRONT L チャンネルへ出力されます。



7. FL/MONITOR CHECK

This menu is used to check operation of the FL display and video monitor output.



Segment conditions of the FL tube is checked by turning ON and OFF all segments.

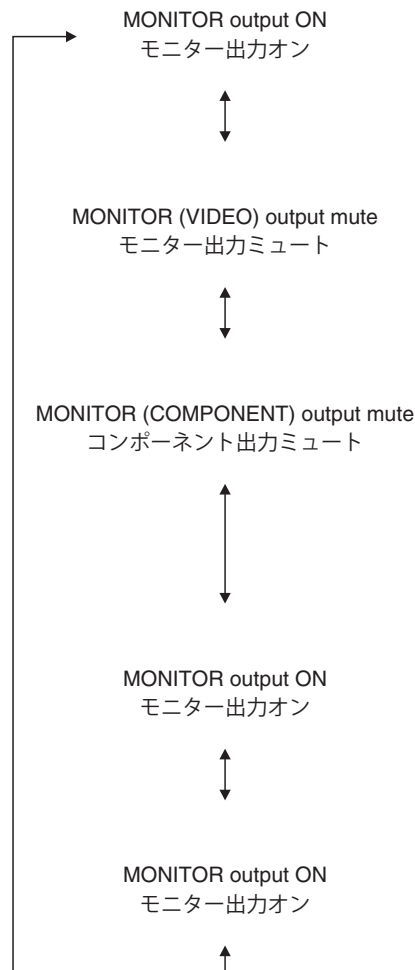
Next, a short between segments next to each other is checked by turning ON and OFF all segments alternately (in lattice).

(In the above example, the segments in the second row from the top are shorted.)

7. FL/MONITOR CHECK

FL 表示とビデオモニター出力の動作をチェックします。

Video monitor output / ビデオモニター出力



全セグメント消灯・全セグメント点灯により FL 管のセグメントの不良を確認します。

次に、全セグメントを交互（格子状）に点灯／消灯することで、隣り合うセグメントのショートをチェックします。

(上記の例は、上から 2 列目のセグメントがショートしています。)

8. MANUAL TEST

The test noise generated by built-in noise generator in DSP is output to the channels specified by the sub-menu.

	Test noise / テストノイズ
for LFE / LFE 用	30 Hz to 80 Hz pink noise / ピンクノイズ
for other than LFE / LFE 以外	500 Hz to 2 kHz pink noise / ピンクノイズ

8-1. TEST ALL

The test noise is output to all channels.

8. TEST ALL

8. MANUAL TEST

DSP に内蔵されたノイズジェネレータによって生成されたテストノイズが、サブメニューで指定したチャンネルへ出力されます。

8-1. TEST ALL

テストノイズが全てのチャンネルへ出力されます。

9. A/D DATA CHECK

This menu is used to display the A/D conversion value of the microprocessor which detects panel keys and protection functions by using the sub-menu.

When "9-5. K1/K2" menu is selected, keys become inoperable due to detection of the values of all keys. However, it is possible to advance to the next menu by turning the "VOLUME" knob.

* Numeric values in the figure are given as reference only.

9-1. PS/DC

PS: Power supply voltage protection detection
The voltage at 126 pin (PS_PRT) of IC225 is displayed.

Voltage detects: ACL, AC2, $\pm 12A$, +7D,
+5A, +5U, -VP

Normal value: 101 to 155
(Reference voltage:
3.3 V=255)

DC: Power amplifier DC (DC voltage) output is detected.

The voltage at 120 pin (DC_PRT) of IC225 is displayed.

Normal value: 27 to 88
(Reference voltage:
3.3 V=255)

* If PS or DC becomes out of the normal value range, the protection function works to turn off the power.

PS:124 DC:057

9. A/D DATA CHECK

パネルキー、プロテクションなどを検出しているマイコンの A/D 変換値を、サブメニューで表示します。

"9-5. K1/K2" メニューにすると、全キーの値を検出するためキー操作はできなくなりますが、VOLUME ツマミを回すことにより、次のメニューに進めることができます。

※ 図中の数値は参考例です。

9-1. PS/DC

PS: 電源電圧プロテクションの検出
IC225 の 126 ピン (PS_PRT) の電圧が表示されます。

検出電圧: ACL、AC2、 $\pm 12A$ 、+7D、
+5A、+5U、-VP

正常値: 101 ~ 155
(基準電圧: 3.3 V=255)

DC: パワーアンプ DC (直流電圧) 出力の検出

IC225 の 120 ピン (DC_PRT) の電圧が表示されます。

正常値: 27 ~ 88
(基準電圧: 3.3 V=255)

※ PS または DC が正常値を外れるとプロテクションが働き、電源が切れます。

9-2. TH1/TH2 (U, C models)

Temperature of the heatsink is detected.

The voltage at 122 pin (TH1)/123 pin (TH2: U, C models) of microprocessor (IC225) is displayed.

Normal value: 42 to 255
(Reference voltage: 3.3 V=255)

- * If TH1/TH2 becomes out of the normal value range, the protection function works to turn off the power.

```
TH1:104  2:104
```

9-2. TH1/TH2 (U, C models)

ヒートシンク温度の検出

マイコン (IC225) の 122 ピン (TH1) の電圧が表示されます。

正常値： 42 ～ 255
(基準電圧：3.3 V=255)

- ※ TH1 が正常値を外れるとプロテクションが働き、電源が切れます。

9-3. TH3

Temperature of the power supply voltage (\pm B, D19) is detected.

The voltage at 110 pin (TH3) of microprocessor (IC225) is displayed.

Normal value: 88 to 255
(Reference voltage: 3.3 V=255)

- * If TH3 becomes out of the normal value range, the protection function works to turn off the power.

```
TH3:221
```

9-3. TH3

電源電圧 (\pm B、D19) 温度の検出

マイコン (IC225) の 110 ピン (TH3) の電圧が表示されます。

正常値： 88 ～ 255
(基準電圧：3.3 V=255)

- ※ TH3 が正常値を外れるとプロテクションが働き、電源が切れます。

9-4. AMP

Output level of speaker output is detected.

The voltage at 121 pin (AMP_OLV) of microprocessor (IC225) is displayed.

(Reference voltage: 3.3 V=255)

```
AMP:255
```

9-4. AMP

スピーカー出力の出力レベルの検出

マイコン (IC225) の 121 ピン (AMP_OLV) の電圧が表示されます。

(基準電圧：3.3 V=255)

9-5. KEY1/KEY2

Panel key is detected.

When the A/D conversion value of the panel key becomes out of the specified range, normal operation will not be available.

In that case, check the constant of voltage dividing resistor, solder condition, etc. Refer to table.

- * When "9-5. KEY1/KEY2" menu is selected, keys become inoperable due to detection of the values of all keys. However, it is possible to advance to the next menu by turning the "VOLUME" knob.

(Reference voltage: 3.3 V=255)

9-5. KEY1/KEY2

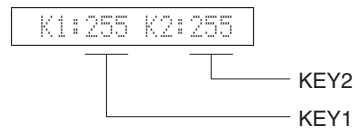
パネルキーの検出

パネルキーの A/D 値が規定範囲から外れると、正常な動きをしません。

下表をご覧になり、各キーの分圧抵抗の定数、ハンダ不良等の確認をしてください。

- ※ "9-5. KEY1/KEY2" メニューにすると、全キーの値を検出するためキー操作はできなくなりますが、"VOLUME" つまみを回すことにより、次のメニューに進めることができます。

(基準電圧：3.3 V=255)



Display	K1
0 – 11	STRAIGHT
12 – 37	TUNING >>
38 – 64	TUNING <<
65 – 88	AM
79 – 113	FM
114 – 139	PRESET >
140 – 164	PRESET <
165 – 186	MEMORY
187 – 226	INFO
255	KEY OFF

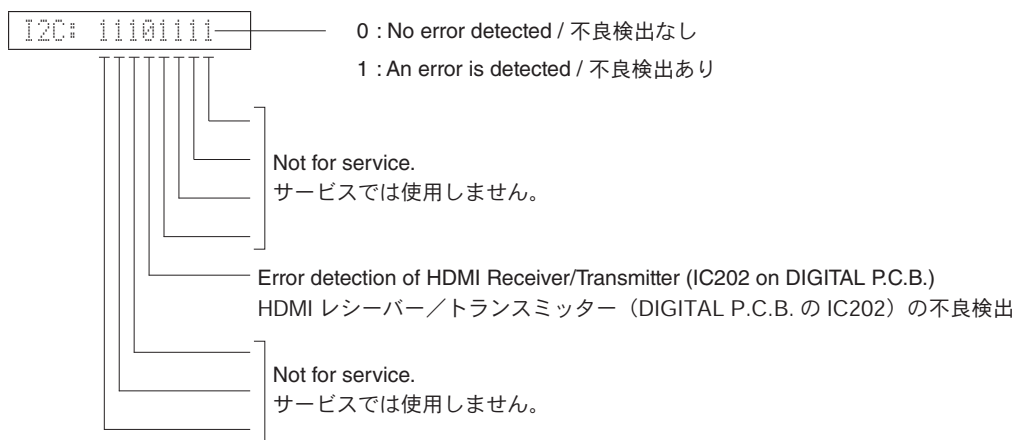
Display	K2
0 – 11	RADIO (SCENE4)
12 – 32	CD (SCENE3)
33 – 54	TV (SCENE2)
55 – 75	BD/DVD (SCENE1)
76 – 96	PROGRAM >
97 – 119	PROGRAM <
120 – 142	INPUT >
143 – 163	INPUT <
164 – 181	-
182 – 197	⏻ (Power)
198 – 229	TONE CONTROL
255	KEY OFF

10. VIDEO CHECK

This menu is used to check the analog video signal route.

10-1. I2C

The I2C (Inter integrated circuit) bus line connection is checked.



10. VIDEO CHECK

アナログ映像信号の経路をチェックします。

10-1. I2C

I2C (Inter integrated circuit) バスライン接続をチェックします。

10-2. DIGITAL COMPONENT

Not for service.

DIGITAL COMP

10-2. DIGITAL COMPONENT

サービスでは使用しません。

10-3. DIGITAL CVBS

Not for service.

DIGITAL CVBS

10-3. DIGITAL CVBS

サービスでは使用しません。

10-4. DIGITAL Y/C

Not for service.

DIGITAL Y/C

10-4. DIGITAL Y/C

サービスでは使用しません。

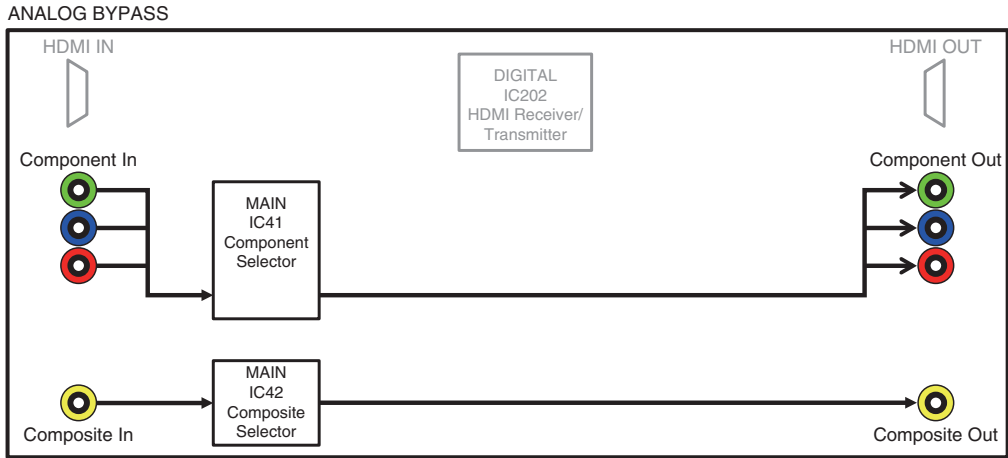
10-5. ANALOG BYPASS

The video signal is converted and output as shown below.

10-5. ANALOG BYPASS

映像信号が以下のように変換され、出力されます。

ANALOG BYPASS



11. NO MENU

11. NO MENU

11. Invalidity

12. NO MENU

12. NO MENU

12. Invalidity

13. NO MENU

13. NO MENU

13. Invalidity

14. NO MENU

14. NO MENU

14. Invalidity

15. HDMI INFORMATION

This menu is used to display information about HDMI.

15-1. HDMI MODEL NAME

The model name of this unit written to HDMI module is displayed.

RX-V373
HTR-3065

MN:RX-V373

15-2. HDMI PRODUCT ID

The product ID of this unit written to HDMI module is displayed.

RX-V373 : 3170
HTR-3065 : 3173

PI: 3170

15. HDMI INFORMATION

HDMI に関する情報が表示されます。

15-1. HDMI MODEL NAME

HDMI モジュールに書き込まれている本機のモデル名が表示されます。

RX-V373

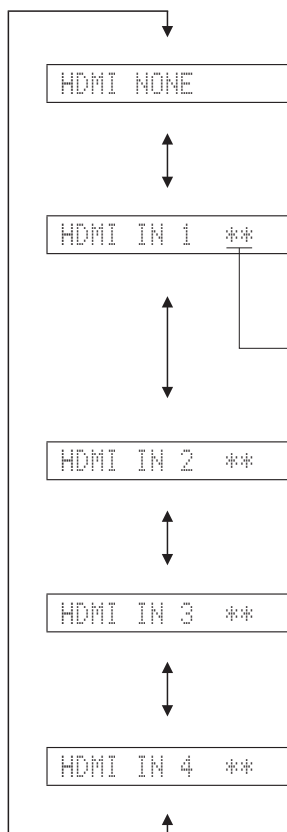
15-2. HDMI PRODUCT ID

HDMI モジュールに書き込まれている本機のプロダクト ID が表示されます。

RX-V373 : 3170

16. HDMI SELECT

This menu is used to check the route of video/audio signals input to HDMI IN jacks.



16-1. HDMI none
No signal is output.
信号は出力されません。

16-2. HDMI IN 1
The video/audio signals input to HDMI IN 1 jack is output to HDMI OUT jack.
HDMI IN 1 端子へ入力された映像 / 音声信号が HDMI OUT 端子へ出力されます。
** When deep color video signals are input, "30" bit or "36" bit is displayed.
Deep color 映像信号を入力すると、"30" bit または "36" bit が表示されます。

16-3. HDMI IN 2
The video/audio signals input to HDMI IN 2 jack is output to HDMI OUT jack.
HDMI IN 2 端子へ入力された映像 / 音声信号が HDMI OUT 端子へ出力されます。

16-4. HDMI IN 3
The video/audio signals input to HDMI IN 3 jack is output to HDMI OUT jack.
HDMI IN 3 端子へ入力された映像 / 音声信号が HDMI OUT 端子へ出力されます。

16-5. HDMI IN 4
The video/audio signals input to HDMI IN 4 jack is output to HDMI OUT jack.
HDMI IN4 端子へ入力された映像 / 音声信号が HDMI OUT 端子へ出力されます。

16. HDMI SELECT

HDMI IN 端子へ入力された映像 / 音声信号の経路をチェックします。

17. USB (U, C, R, K, A, B, G, F, L, S, H models)

This menu is used to check audio signal route from USB storage device.

17-1. USB FILE 1

The 1st music file stored in the USB storage device connected to the USB jack is reproduced.

- * Copy 2 or more music files from PC to the root folder of the USB storage device in advance.



USB file 1

17-2. USB FILE 2

The 2nd music file stored in the USB storage device connected to the USB jack is reproduced.



USB file 2

17-3. USB INITIAL PROGRAM LOAD

Communication and bus line connection between microprocessor (IC221) and USB host controller (IC282) are checked.



USB IPL:OK

- OK: No error detected / 不良検出なし
- NG: An error is detected / 不良検出あり

17-4. USB iPod CHECK

This menu is used to check audio signal route from the iPod.

Connect an iPod itself to the USB jack of this unit with the USB cable supplied with the iPod.



USB iPod:OK

17-4. USB iPod CHECK

iPod からの音声信号の経路をチェックします。

iPod に付属の USB ケーブルで、本機の USB 端子に iPod 本体を接続します。

- OK: Connected / 接続
- NG: No traffic / 通信不能
- : Checking / チェック中

18. NO MENU**18. NO MENU**

```
18. Invalidity
```

19. BUS CHECK

This menu is used to check the communication and bus line connection between devices on DIGITAL P.C.B.

19. BUS CHECK

DIGITAL P.C.B. 上の各デバイス間の通信とバスライン接続をチェックします。

19-1. TI (DSP) BUS check

Communication and bus line connection between microprocessor (IC225) and TI (IC241) are checked.

19-1. TI (DSP) BUS check

マイコン (IC225) と TI (DSP、IC241) 間の通信とバスライン接続をチェックします。

```
TI BUS:NoEr
```

NoEr: No error detected / 不良検出なし

Boot: When "Boot" is displayed for a few seconds or "Boot" and "NoEr" are displayed alternately, there is a possibility that an error had occurred.

"Boot" が数秒間表示されるまたは "Boot" と "NoEr" が交互に表示される場合、異常が発生している可能性があります。

19-2. EEPROM BUS check

Communication and bus line connection between microprocessor (IC221) and EEPROM (IC222) are checked.

19-2. EEPROM BUS check

マイコン (IC225) と EEPROM (IC221) 間の通信とバスライン接続をチェックします。

```
EEPROM BUS:OK
```

OK: No error detected / 不良検出なし

NG: An error is detected / 不良検出あり

20. NO MENU**20. NO MENU**

```
20. Invalidity
```

21. PROTECTION HISTORY

This menu is used to display the history of protection function.

All history of protection function will be erased by pressing the "STRAIGHT" key.

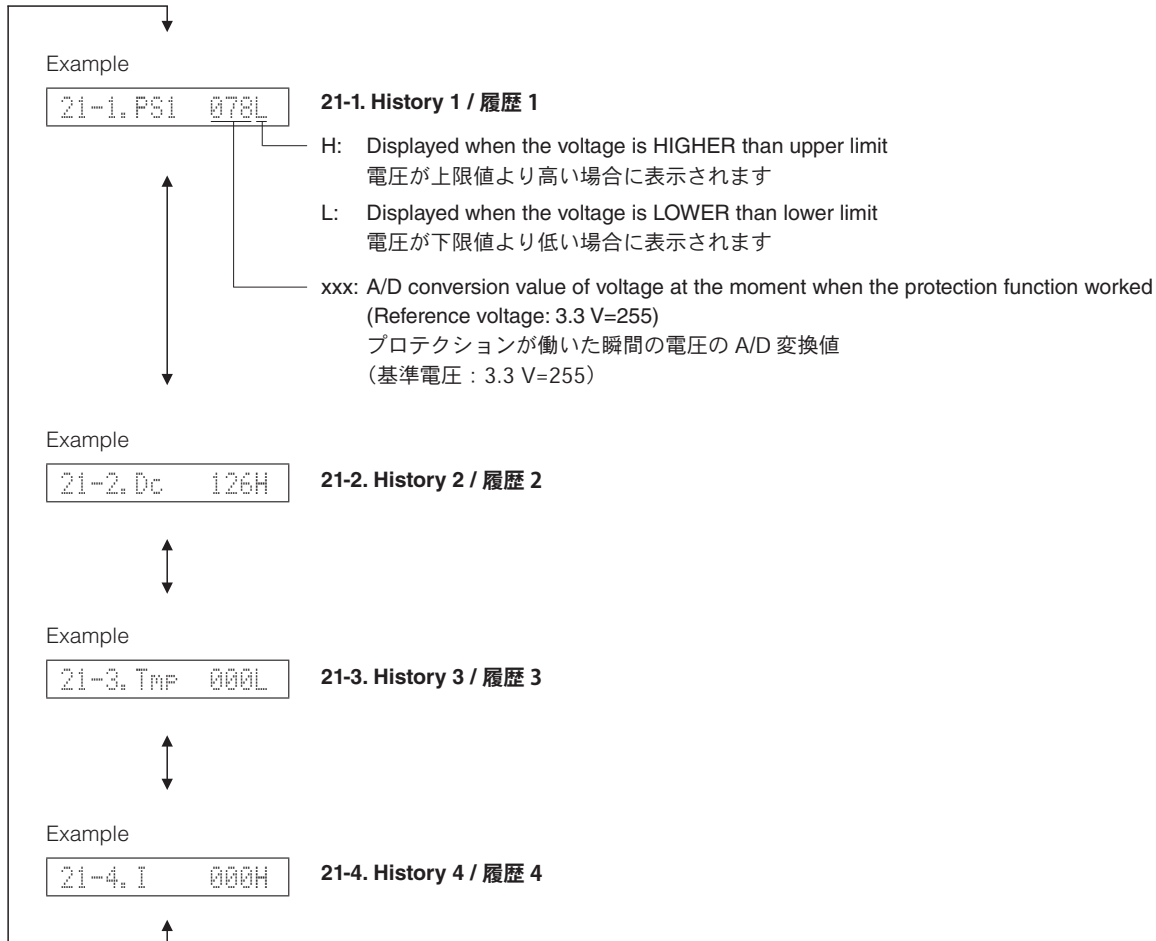
* Numeric values in the figure are given as reference only.

21. PROTECTION HISTORY

プロテクション履歴が表示されます。

"STRAIGHT" キーを押すとプロテクション履歴はすべて消去されます。

※ 図中の数値は参考例です。



22. SOFT SWITCH

This menu is used to write the model name and destination to the back-up IC (EEPROM: IC221 on DIGITAL P.C.B.).

When the following parts are replaced, the model name and destination MUST be written by using this menu to have proper operation.

DIGITAL P.C.B.

EEPROM: IC221 on DIGITAL P.C.B.

To write the model name and destination, first switch to the write mode by using the "22-1. SWITCH MODE" menu and then select the desired model name by using "22-2. MODEL NAME" menu and the desired destination by using the "22-3. DESTINATION" menu.

22-1. SWITCH MODE

Pressing the "STRAIGHT" key will change the display alternately as shown below. When "22. SW: MODEL" is displayed, this unit is in the write mode.



Press the "STRAIGHT" key

Note: After writing of the model name and destination are completed, be sure to change to "22 SW: PCB".

注意: モデル名と仕向け先の書き込みを完了した後、必ず "22. SW: PCB" に切り替えてください。

22-2. MODEL NAME

Select the desired model name by pressing the "STRAIGHT" key. Then the selected model name is written automatically.



Press the "STRAIGHT" key

22. SOFT SWITCH

モデル名と仕向け先をバックアップ IC (DIGITAL P.C.B. の IC221) に書き込みます。

下記の部品を交換した場合、正常動作のために本メニューでモデル名と仕向け先を書き込む必要があります。

DIGITAL P.C.B.

EEPROM : DIGITAL P.C.B. の IC221

モデル名と仕向け先を書き込むには、まず最初に "22-1. SWITCH MODE" メニューで書き込みモードに切り替えて、それから "22-2. MODEL NAME" メニューで目的のモデル名を、"22-3. DESTINATION" メニューで仕向け先を選択します。

22-1. SWITCH MODE

"STRAIGHT" キーを押すと表示が下記のように交互に切り替わります。"22. SW: MODEL" が表示されているときに本機は書き込みモードになっています。

22-2. MODEL NAME

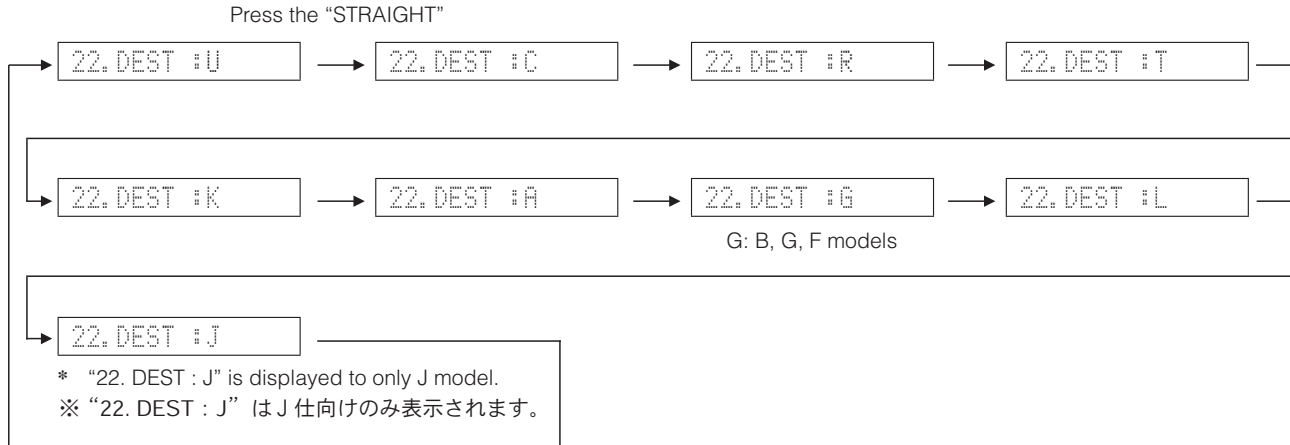
"STRAIGHT" キーを押して目的のモデル名を選択します。選択されたモデル名が自動的に書き込まれます。

22-3. DESTINATION

Press the "STRAIGHT" key repeatedly to select desired destination. Then the selected destination is written automatically.

22-3. DESTINATION

"STRAIGHT" キーを繰り返し押しして目的の仕向け先を選択します。選択された仕向け先が自動的に書き込まれます。



23. UPDATE TI

Not for service.

23. UPDATE TI

サービスでは使用しません。

23. UPDATE TI

24. FACTORY PRESET

This menu is used to reserve/inhibit initialization of the back-up IC (EEPROM: IC221 on DIGITAL P.C.B.).

24. FACTORY PRESET

バックアップ IC (EEPROM : DIGITAL P.C.B. の IC221) の初期化を予約／禁止します。

PRESET INHI

24-1. PRESET INHIBIT (Initialization inhibited) / **PRESET INHIBIT** (初期化禁止)

Initialization of the back-up IC is not executed. Select this sub-menu to protect the values set by the user.
バックアップ IC の初期化は行われません。ユーザーの設定値を保護するときは、こちらを選択してください。



PRESET RSRV

24-1. PRESET RESERVED (Initialization reserved) / **PRESET RESERVED** (初期化予約)

Initialization of the back-up IC is reserved. (Actual initialization is executed when the power is turned on next.) To reset to the original factory settings or to reset the backup IC, select this sub-menu and press the "P" (Power) key to turn off the power.

バックアップ IC の初期化が予約されます。(実際に初期化されるのは、次回の電源投入時です。)工場出荷時やバックアップ IC をリセットしたいときは、こちらを選択してから "P" (電源) キーを押して電源を切ってください。

CAUTION: Before setting to the PRESET RESERVED, write down the existing preset memory content of the tuner. (This is because setting to the PRESET RESERVED will cause the user memory content to be erased.)

注意: PRESET RESERVED を選んで初期化をする前に、チューナーのユーザーメモリーの内容を書き写してください。(初期化をすると、チューナーのユーザーメモリーの内容は消えてしまいます。)

25. FIRMWARE VERSION/CHECKSUM

The firmware version and checksum values are displayed.

The checksum is obtained by adding the data at every 8-bit and expressing the result as a 4-digit hexadecimal notation.

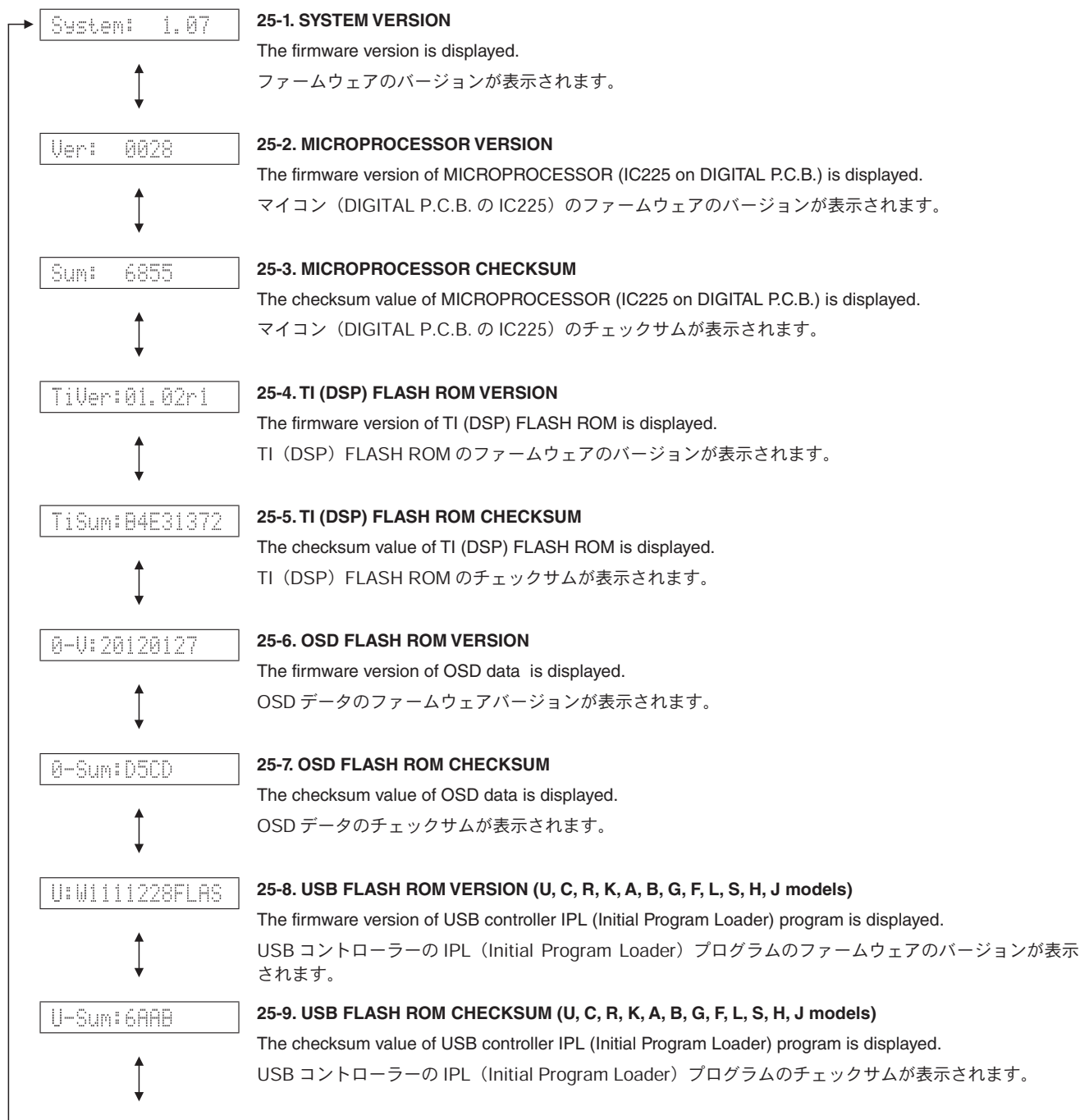
* Numeric values in the figure are given as reference only.

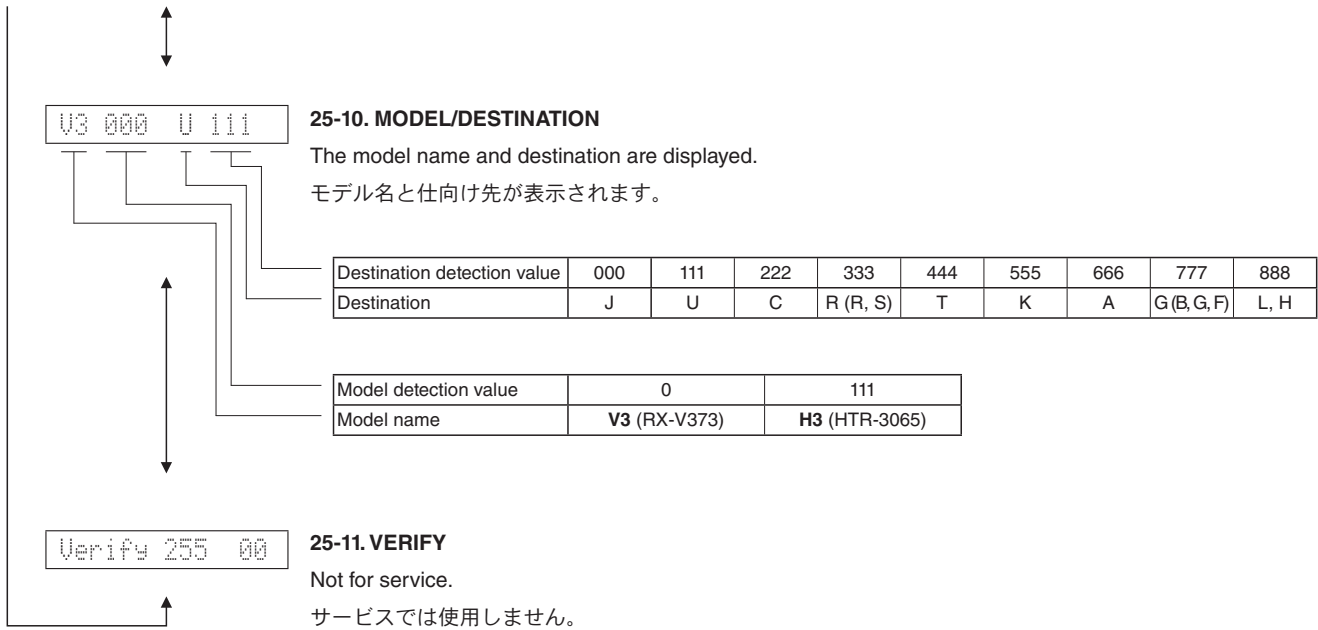
25. FIRMWARE VERSION/CHECKSUM

ファームウェアのバージョン、チェックサムが表示されます。

チェックサムは、データを8ビットごとに加算していき、4桁の16進数で表記したものです。

※ 図中の数値は参考例です。





26. MODEL/DESTINATION

Not for service.

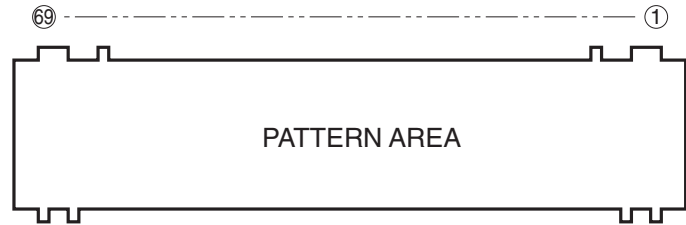
26. MODEL/DESTINATION

サービスでは使用しません。



■ DISPLAY DATA

● V1001 : 18-MT-11GNK (OPERATION P.C.B.)

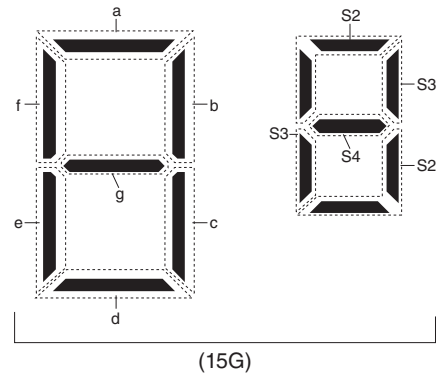
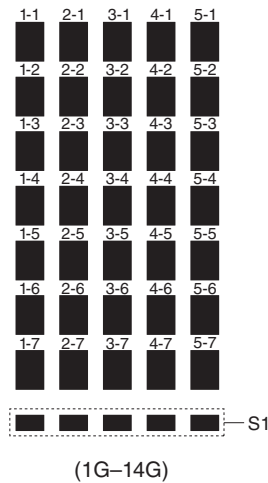
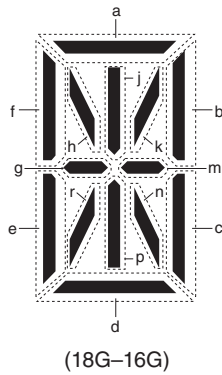
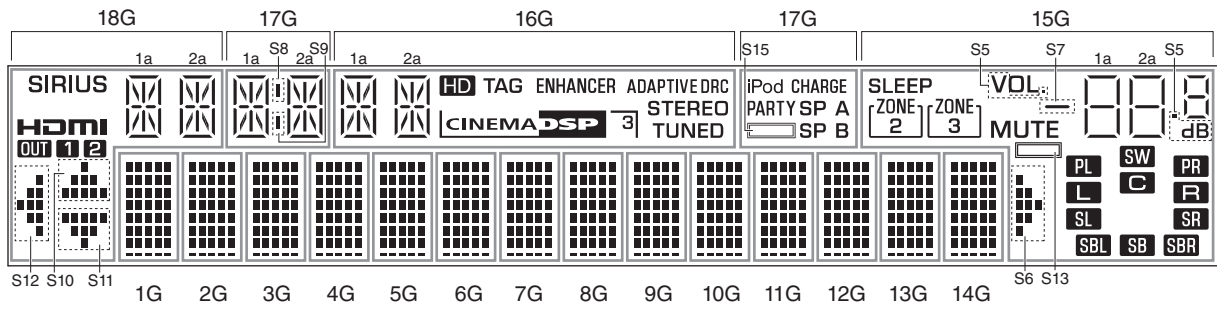


● PIN CONNECTION

Pin No.	69	68	67	66	65	64	63	62	61	60	59	58	57	56	55	54	53	52	51	50	49	48	47	46	45	44	43	42	41	40	39	38	37	36	35
Connection	F2	NX	NP	NP	P1	P2	P3	P4	P5	P6	P7	P8	P9	P10	P11	P12	P13	P14	P15	P16	P17	P18	P19	P20	P21	P22	P23	P24	P25	P26	P27	P28	P29	P30	P31
Pin No.	34	33	32	31	30	29	28	27	26	25	24	23	22	21	20	19	18	17	16	15	14	13	12	11	10	9	8	7	6	5	4	3	2	1	
Connection	P32	P33	P34	P35	P36	NX	NX	NX	NX	NX	NX	NX	18G	17G	16G	15G	14G	13G	12G	11G	10G	9G	8G	7G	6G	5G	4G	3G	2G	1G	NP	NP	NX	F1	

Note : 1) F1, F2 Filament pin 2) NP No pin 3) NX No extend pin 4) 1G-18G Grid pin

● GRID ASSIGNMENT



RX-V373/HTR-3065

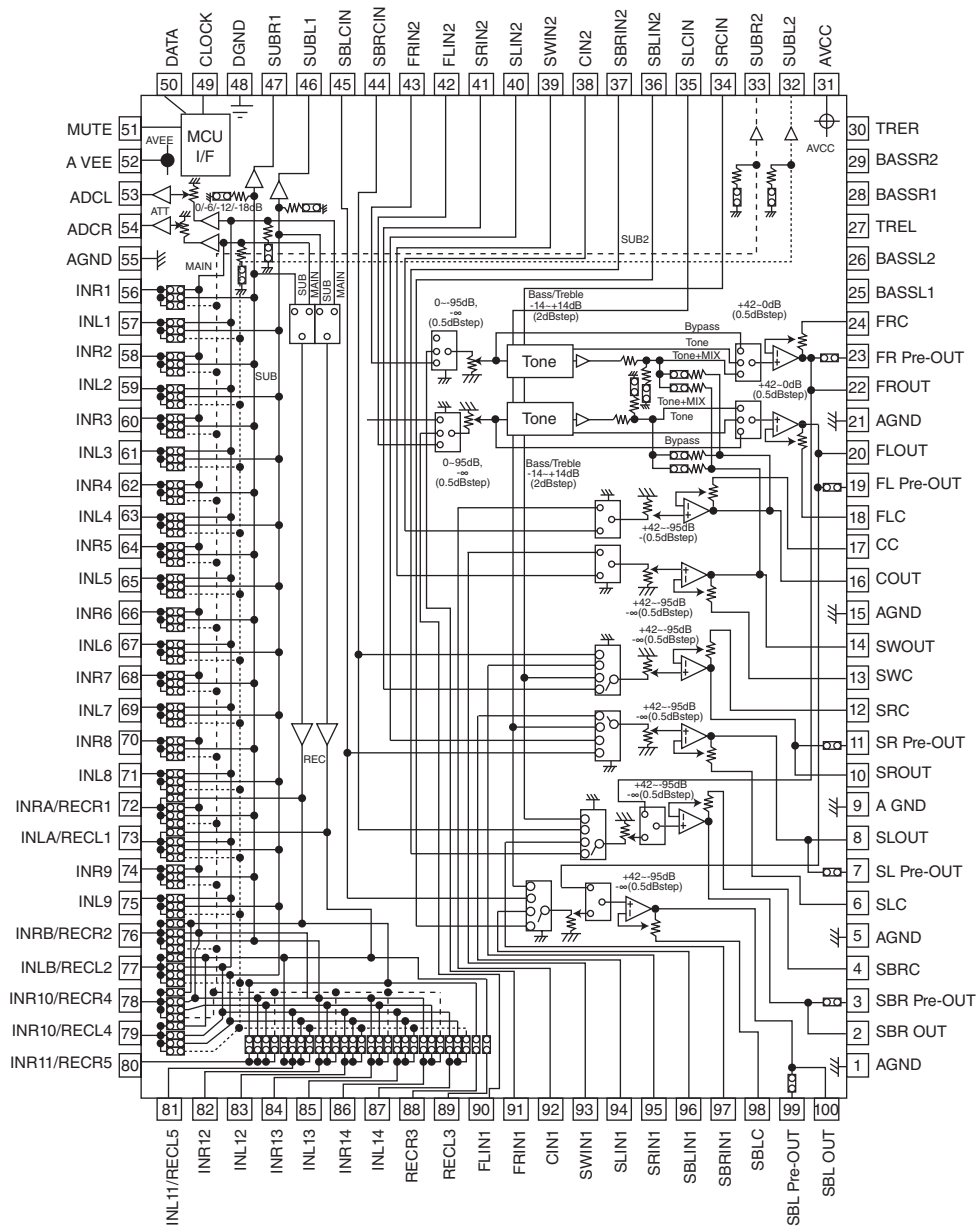
● ANODE CONNECTION

	18G	17G	16G	15G	1G-14G
P1	1a	1a	1a	S5	1-1
P2	1h	1h	1h	S7	2-1
P3	1j	1j	1j	1d	3-1
P4	1k	1k	1k	2d	4-1
P5	1b	1b	1b	S2	5-1
P6	1f	1f	1f	1e	1-2
P7	1m	1m	1m	2e	2-2
P8	1g	1g	1g	S3	3-2
P9	1c	1c	1c	1c	4-2
P10	1e	1e	1e	2c	5-2
P11	1r	1r	1r	S4	1-3
P12	1p	1p	1p	1g	2-3
P13	1n	1n	1n	2g	3-3
P14	1d	1d	1d	1f	4-3
P15	2a	2a	2a	2f	5-3
P16	2h	2h	2h	1b	1-4
P17	2j	2j	2j	2b	2-4
P18	2k	2k	2k	1a	3-4
P19	2b	2b	2b	2a	4-4
P20	2f	2f	2f	PL	5-4
P21	2m	2m	2m	SW	1-5
P22	2g	2g	2g	PR	2-5
P23	2c	2c	2c	L	3-5
P24	2e	2e	2e	C	4-5
P25	2r	2r	2r	R	5-5
P26	2p	2p	2p	SL	1-6
P27	2n	2n	2n	SR	2-6
P28	2d	2d	2d	SBL	3-6
P29	SIRIUS	S8	HD	SB	4-6
P30	OUT	S9	TAG	SBR	5-6
P31	HDMI	iPod CHARGE	CINEMA DSP	S6	1-7
P32	1	SP B	3	S13	2-7
P33	2	S15	STEREO	MUTE	3-7
P34	S12	SP A	TUNED	ZONE 2	4-7
P35	S10	PARTY	ENHANCER	ZONE 3	5-7
P36	S11	—	ADAPTIVE DRC	SLEEP	S1

IC DATA

IC21: R2A15220FP (MAIN P.C.B.)

8-channel electronic volume with 11 input selector and tone control



RX-V373/HTR-3065

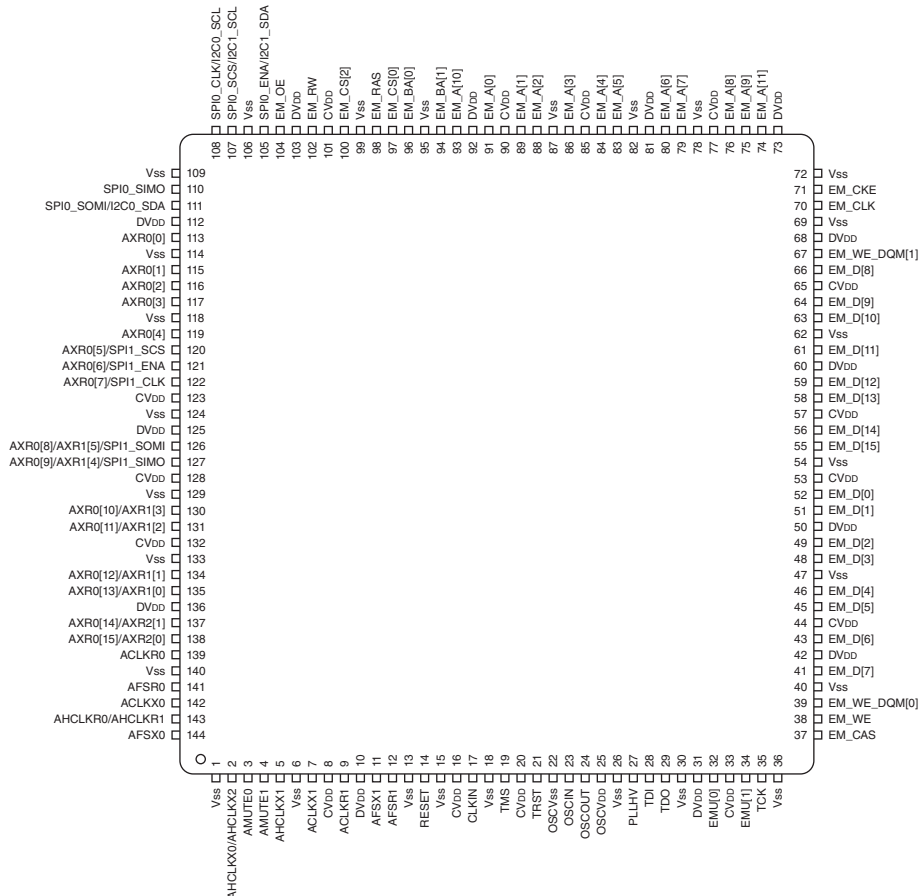
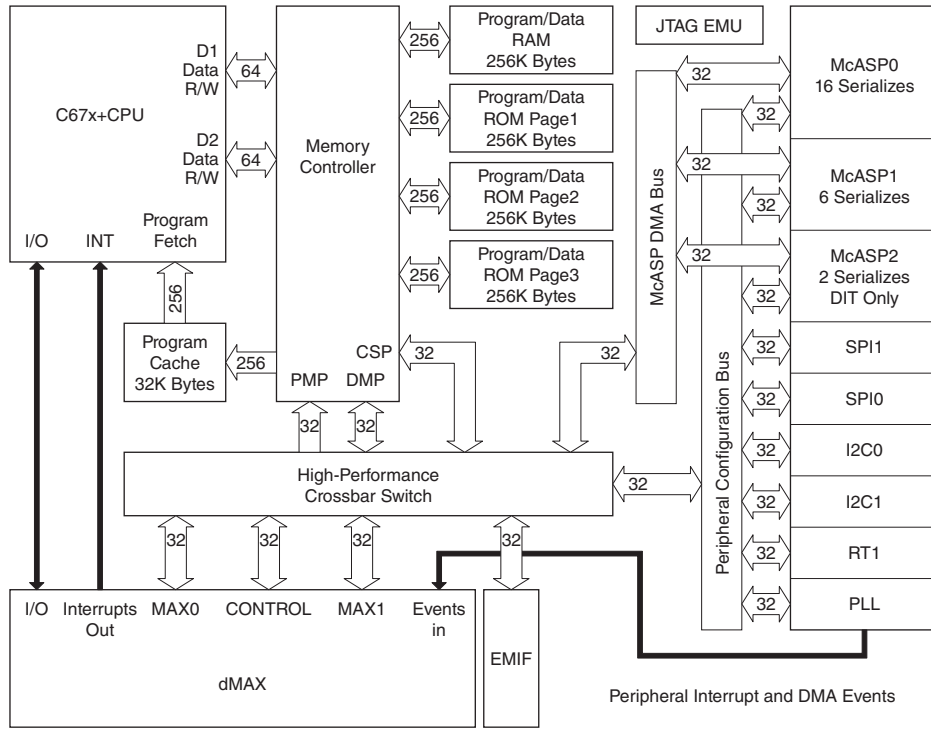
Pin No.	Port Name	Function Name	Detail of Function
1	AGND	AE	Analog ground of internal circuit
2	SBROUT	VOSBL	Output pin of FL/FR/C/SW/SL/SR/SBL/SBR channel
3	SBR Pre-OUT	VOPSB	Pre-output pin of FL/FR/SL/SR/SBL/SBR channel
4	SBRC	AE	Connects capacitor for reducing click noise of L/R/C/SW/SL/SR/SBL/SBR channel volume
5	AGND	AE	Analog ground of internal circuit
6	SLC	VOPSR	Connects capacitor for reducing click noise of L/R/C/SW/SL/SR/SBL/SBR channel volume
7	SL Pre-OUT	VOSR	Pre-output pin of FL/FR/SL/SR/SBL/SBR channel
8	SLOUT	AE	Output pin of FL/FR/C/SW/SL/SR/SBL/SBR channel
9	AGND	AE	Analog ground of internal circuit
10	SROUT	VOSL	Output pin of FL/FR/C/SW/SL/SR/SBL/SBR channel
11	SR Pre-OUT	VOPSL	Pre-output pin of FL/FR/SL/SR/SBL/SBR channel
12	SRC	AE	Connects capacitor for reducing click noise of L/R/C/SW/SL/SR/SBL/SBR channel volume
13	SWC	AE	
14	SWOUT	VOSW	Output pin of FL/FR/C/SW/SL/SR/SBL/SBR channel
15	AGND	AE	Analog ground of internal circuit
16	COUT	VOC	Output pin of FL/FR/C/SW/SL/SR/SBL/SBR channel
17	CC	AE	Connects capacitor for reducing click noise of L/R/C/SW/SL/SR/SBL/SBR channel volume
18	FLC	AE	
19	FL Pre-OUT	VOPFR	Pre-output pin of FL/FR/SL/SR/SBL/SBR channel
20	FLOUT	VOFR	Output pin of FL/FR/C/SW/SL/SR/SBL/SBR channel
21	AGND	POE	Analog ground of internal circuit
22	FROUT	VOFL	Output pin of FL/FR/C/SW/SL/SR/SBL/SBR channel
23	FR Pre-OUT	VOPFL	Pre-output pin of FL/FR/SL/SR/SBL/SBR channel
24	FRC	AE	Connects capacitor for reducing click noise of L/R/C/SW/SL/SR/SBL/SBR channel volume
25	BASSL1	AE	Frequency characteristic setting pin of L/R channel tone control (Bass)
26	BASSL2	AE	
27	TREL	AE	Frequency characteristic setting pin of L/R channel tone control (Treble)
28	BASSR1	AE	Frequency characteristic setting pin of L/R channel tone control (Bass)
29	BASSR2	AE	
30	TREER	AE	Frequency characteristic setting pin of L/R channel tone control (Treble)
31	AVCC	VCC	Positive power supply to internal circuit
32	SUBL1	N.C.	Output pin for L/R channel SUB1/SUB2 output
33	SUBL2	N.C.	
34	SRCIN	N.C.	3rd multi input pin for SBL/SBR/SL/SR channel volume that is able to swap SBR/SBL with SR/SL
35	SLCIN	N.C.	
36	SBLIN2	8SBR	Multi input pin of L/R/C/SW/SL/SR/SBL/SBR channel (Multi IN 1/2)
37	SBRIN2	8SBL	
38	CIN2	8C	
39	SWIN2	8SW	
40	SLIN2	8SR	
41	SRIN2	8SL	
42	FLIN2	8FR	
43	FRIN2	8FL	
44	SBRCIN	Z2L	3rd multi input pin for SBL/SBR/SL/SR channel volume that is able to swap SBR/SBL with SR/SL
45	SBLCIN	Z2R	
46	SUBL1	Z2R	Output pin for L/R channel SUB1/SUB2 output
47	SUBR1	Z2L	
48	DGND	MG	Digital ground of internal circuit
49	DATA	VOL_SCK	Input pin of control data
50	CLOCK	VOL_MOSI	Input pin of control clock

Pin No.	Port Name	Function Name	Detail of Function
51	MUTE	AE	Outside mute control pin
52	AVEE	–	Negative power supply to internal circuit
53	ADCL	ADR	Output pin for L/R channel ADC
54	ADCR	ADL	
55	AGND	AE	Analog ground of internal circuit
56	INR1	AU2L	Input pin of L/R channel (Input selector)
57	INL1	AU2R	
58	INR2	AU1L	
59	INL2	AU1R	
60	INR3	AV-6L	
61	INL3	AV-6R	
62	INR4	AV-5L	
63	INL4	AV-5R	
64	INR5	PHL	
65	INL5	PHR	
66	INR6	SRL	
67	INL6	SRR	
68	INR7	IPL	
69	INL7	IPR	
70	INR8	XML	
71	INL8	XMR	
72	INRA/RECR1	AV-OUT_L	Output pin for L/R channel (input selector)/Output pin for L/R channel REC output
73	INLA/RECL1	AV-OUT_R	
74	INR9	USBL	Input pin of L/R channel (Input selector)
75	INL9	USBR	
76	INRB/RECR2	AOL	Output pin for L/R channel (input selector)/Output pin for L/R channel REC output
77	INLB/RECL2	AOR	
78	INR10/RECR4	TUL	
79	INL10/RECL4	TUR	
80	INR11/RECR5	MIC	
81	INL11/RECL5	AE	
82	INR12	AUXL	Input pin of L/R channel (Input selector)
83	INL12	AUXR	
84	INR13	AE	
85	INL13	AE	
86	INR14	AE	
87	INL14	AE	
88	RECR3	N.C.	Output pin for L/R channel REC output
89	RECL3	N.C.	
90	FLIN1	DAFR	Multi input pin of L/R/C/SW/SL/SR/SBL/SBR channel (Multi IN 1/2)
91	FRIN1	DAFL	
92	CIN1	DAC	
93	SWIN1	DASW	
94	SLIN1	DASR	
95	SEIN1	DASL	
96	SBLIN1	DASBR	
97	SBRIN1	DASBL	
98	SBLC	AE	Connects capacitor for reducing click noise of L/R/C/SW/SL/SR/SBL/SBR channel volume
99	SBL Pre-OUT	VOPSBR	Pre-output pin of FL/FR/SL/SR/SBL/SBR channel
100	SBL OUT	VOSBR	Output pin of FL/FR/C/SW/SL/SR/SBL/SBR channel

IC241: D70YE101BRFP266 (DIGITAL P.C.B.)

Decoder/Post processor

* No replacement part available. / サービス部品供給なし



No.	Function Name (P.C.B.)	I/O	Detail of Function
1	VSS		
2	AHCLKX0/AHCLKX2	IO	McASP0 and McASP2 transmit master clock
3	AMUTE0	IO	McASP0 mute output
4	AMUTE1	IO	McASP1 mute output
5	AHCLKX1	IO	McASP1 transmit master clock
6	VSS		
7	ACLKX1	IO	McASP1 transmit bit clock
8	CVDD		
9	ACLKR1	IO	McASP1 receive bit clock
10	DVDD		
11	AFSX1	IO	McASP1 transmit frame Sync (L/R clock)
12	AFSR1	IO	McASP1 receive frame Sync (L/R clock)
13	VSS		
14	RESET	IO	Device reset pin
15	VSS		
16	CVDD		
17	CLKIN	IO	Alternate clock input (3.3-V LVCMOS input)
18	VSS		
19	TMS	IO	Test mode select
20	CVDD		
21	TRST	IO	Test reset
22	OSCVSS	PWR	Oscillator Vss tap point (for filter only)
23	OSCIN	IO	1.2-V oscillator input
24	NC	O	
25	OSCVDD	PWR	Oscillator 1.2-V Vpp tap point (for filter only)
26	VSS		
27	PLLHV	PWR	PLL 3.3-V supply input (requires external filter)
28	TDI	IO	Test data in
29	TDO	OZ	Test data out
30	VSS		
31	DVDD		
32	EMU[0]	IO	Emulation pin 0
33	CVDD		
34	EMU[1]	IO	Emulation pin 1
35	TCK	IO	Test clock
36	Ground(Vss)		
37	EM_CAS	O	SDRAM column address strobe
38	EM_WE	O	SDRAM write enable
39	EM_WE_DQM[0]	O	Write enable or byte enable for EM_D [7:0]
40	VSS		
41	EM_D[7]	IO	EMIF data bus [lower 16-bits]
42	DVDD		
43	EM_D[6]	IO	EMIF data bus [lower 16-bits]
44	CVDD		
45	EM_D[5]	IO	EMIF data bus [lower 16-bits]
46	EM_D[4]	IO	EMIF data bus [lower 16-bits]
47	VSS		
48	EM_D[3]	IO	EMIF data bus [lower 16-bits]
49	EM_D[2]	IO	EMIF data bus [lower 16-bits]
50	DVDD		

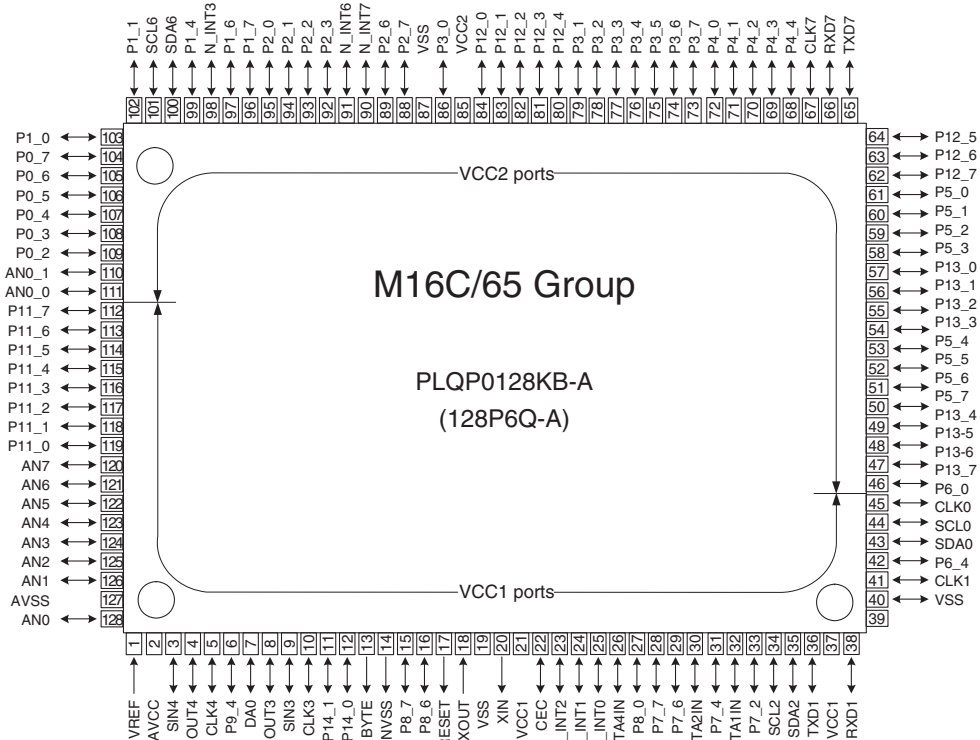
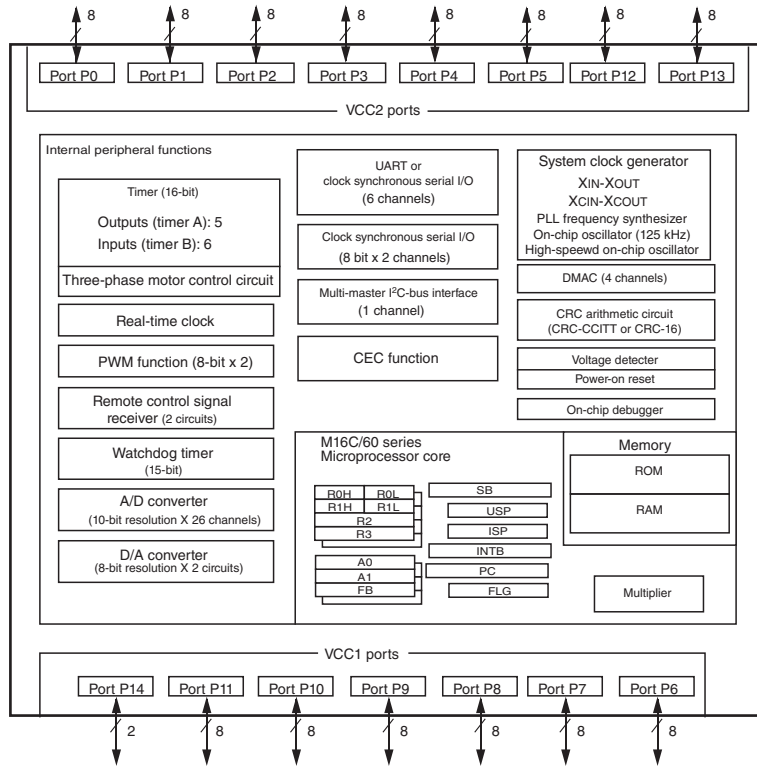
No.	Function Name (P.C.B.)	I/O	Detail of Function
51	EM_D[1]	IO	EMIF data bus [lower 16-bits]
52	EM_D[0]	IO	EMIF data bus [lower 16-bits]
53	CVDD		
54	VSS		
55	EM_D[15]	IO	EMIF data bus [lower 16-bits]
56	EM_D[14]	IO	EMIF data bus [lower 16-Bits]
57	CVDD		
58	EM_D[13]	IO	EMIF data bus [lower 16-Bits]
59	EM_D[12]	IO	EMIF data bus [lower 16-Bits]
60	DVDD		
61	EM_D[11]	IO	EMIF data bus [lower 16-Bits]
62	VSS		
63	EM_D[10]	IO	EMIF data bus [lower 16-Bits]
64	EM_D[9]	IO	EMIF data bus [lower 16-Bits]
65	CVDD		
66	EM_D[8]	IO	EMIF data bus [lower 16-bits]
67	EM_WE_DQM[1]	O	Write enable or byte enable for EM_D [15:8]
68	DVDD		
69	VSS		
70	EM_CLK	O	SDRAM clock
71	EM_CKE	O	SDRAM clock enable
72	VSS		
73	DVDD		
74	EM_A[11]	O	EMIF address bus
75	EM_A[9]	O	EMIF address bus
76	EM_A[8]	O	EMIF address bus
77	CVDD		
78	VSS		
79	EM_A[7]	O	EMIF address bus
80	EM_A[6]	O	EMIF address bus
81	DVDD		
82	VSS		
83	EM_A[5]	O	EMIF address bus
84	EM_A[4]	O	EMIF address bus
85	CVDD		
86	EM_A[3]	O	EMIF address bus
87	VSS		
88	EM_A[2]	O	EMIF address bus
89	EM_A[1]	O	EMIF address bus
90	CVDD		
91	EM_A[0]	O	EMIF address bus
92	DVDD		
93	EM_A[10]	O	EMIF address bus
94	EM_BA[1]	O	SDRAM bank address and asynchronous memory Low-Order address
95	VSS		
96	EM_BA[0]	O	SDRAM bank address and asynchronous memory Low-Order address
97	EM_CS[0]	O	SDRAM chip select
98	EM_RAS	O	SDRAM row address strobe
99	VSS		
100	EM_CS[2]	O	Asynchronous memory chip select

No.	Function Name (P.C.B.)	I/O	Detail of Function
101	CVDD		
102	NC	O	Asynchronous memory read/not write
103	DVDD		
104	EM_OE	O	SDRAM output enable
105	SPI0_ENA/I2C1_SDA	IO	SPI0 enable (ready) or I2c1 serial data
106	VSS		
107	SPI0_ENA/I2C1_SCL	IO	SPI0 enable (ready) or I2c1 serial clock
108	SPI0_CLK/I2C0_SCL	IO	SPI0 serial clock or I2c0 serial clock
109	VSS		
110	SPI0_SIMO	IO	SPI0 data pin slave in master out
111	SPI0_SOMI/I2C0_SDA	IO	SPI0 data pin slave out master in or I2C0 serial data
112	DVDD		
113	AXR0[0]	IO	McASP0 serial data 0
114	VSS		
115	AXR0[1]	IO	McASP0 serial data 1
116	AXR0[2]	IO	McASP0 serial data 2
117	AXR0[3]	IO	McASP0 serial data 3
118	VSS		
119	AXR0[4]	IO	McASP0 serial data 4
120	SPI1_SCS	IO	McASP0 serial data 5 or SPI1 slave chip select
121	SPI1_ENA	IO	McASP0 serial data 6 or SPI1 enable (ready)
122	SPI1_CLK	IO	McASP0 serial data 7 or SPI1 serial clock
123	CVDD		
124	VSS		
125	DVDD		
126	/SPI1_SOMI	IO	McASP0 serial data 8 or McASP1 serial data 5 or SPI1 data pin slave out master in
127	/SPI1_SIMO	IO	McASP0 serial data 9 or McASP1 serial data 4 or SPI1 data pin slave in master out
128	CVDD		
129	VSS		
130	AXR0[10]	IO	McASP0 serial data 10 or McASP1 serial data 3
131	AXR0[11]	IO	McASP0 serial data 11 or McASP1 serial data 2
132	CVDD		
133	VSS		
134	AXR0[12]	IO	McASP0 serial data 12 or McASP1 serial data 1
135	AXR0[13]	IO	McASP0 serial data 13 or McASP1 serial data 0
136	DVDD		
137	AXR0[14]	IO	McASP0 serial data 14 or McASP2 serial data 1
138	AXR0[15]	IO	McASP0 serial data 15 or McASP2 serial data 0
139	ACLKR0	IO	McASP0 receive bit clock
140	VSS		
141	AFSR0	IO	McASP0 receive frame Sync (L/R clock)
142	ACLKX0	IO	McASP0 transmit bit clock
143	AHCLKR0/AHCLKR1	IO	McASP0 and McASP1 receive master clock
144	AFSX0	IO	McASP0 transmit frame Sync (L/R clock)

IC225: R5F3651TNFC (DIGITAL P.C.B.)

Microprocessor

* **No replacement part available. / サービス部品供給なし**



RX-V373/HTR-3065

Pin No.	Port Name	Function Name (P.C.B.)	I/O		Detail of Function
			POWER ON	STANDBY	
1	VREF	VREF	MCU	MCU	AD standard voltage
2	AVCC	AVCC	MCU	MCU	Microprocessor power supply
3	SIN4	E2R_MISO	SI	O	EEPROM synchronization data input
4	SOUT4	FLD_MOSI	SO	O	FL driver / EEPROM synchronization data output
5	CLK4	FLD_SCK	SO	O	FL driver / EEPROM synchronous clock output
6	P9_4	OSDFS_N_RST	O	O	OSD Flash reset
7	DA0	AMP_LMT	DA	O	Limiter control output
8	SOUT3	DSP_MOSI	SO	O	DSP, DIR, DAC synchronization data output
9	SIN3	DSP_MISO	SI	I-	DSP, DIR, DAC synchronization data input
10	CLK3	DSP_SCK	SO	O	DSP, DIR, DAC synchronous clock output
11	P14_1	HDM_N_RST	O	O	HDMI RxTx reset
12	P14_0	TUN_N_RST	O	O	Tuner reset
13	BYTE	BYTE	MCU	MCU	Data bus width reshuffling input
14	CNVSS	E8A_CNVSS	MCU	MCU	Processor mode select / Low: Single chip mode
15	P8_7	(no_use)	O	O	
16	P8_6	DIAG_FCT	O	O	Diag OK: Output High / Diag NG: Output Low (default)
17	/RESET	CPU_N_RST	MCU	MCU	Reset input
18	XOUT	XOUT	MCU	MCU	Oscillation circuit output
19	VSS	DGND	MCU	MCU	Microprocessor ground
20	XIN	XIN	MCU	MCU	Oscillation circuit input
21	VCC1	+3.3M	MCU	MCU	Microprocessor power supply
22	CEC	HDM_CEC	IO	I+	Microprocessor CEC control
23	N_INT2	DSP_N_INT	IRQ	IRQ	Interrupt input from DSP
24	N_INT1	HDM_MUT	IRQ	I-	HDMI MUTE input
25	N_INT0	HDM_INT	IRQ	I-	Interrupt input from HDMI RxTx
26	TA4IN	DIR_N_INT	TMR	O	DIR interrupt input
27	P8_0	(reserve)			
28	P7_7	DIR_N_RST	O	O	DIR reset
29	P7_6	DIR_N_CS	O	O	DIR chip select
30	TA2IN	TUN_N_INT	TMR	O	Tuner GPIO2 input
31	P7_4	(reserve)	O	O	NET SPI request
32	TA1IN	N_PDET	TMR	I+	AC power detection / L: Power down
33	P7_2	(reserve)	O	O	NET SPI ready
34	SCL2	HDM_SCL	SO	O	HDMI Rx/Tx I2C SCL output
35	SDA2	HDM_SDA	SI	O	HDMI Rx/Tx I2C SDA input and output
36	TXD1	E8A_TXD	SO	I+	
37	VCC1	+3.3M	MCU	MCU	Microprocessor power supply
38	RXD1	E8A_RXD	SI	I+	
39	VSS	DGND	MCU	MCU	Microprocessor ground
40	CLK1	E8A_SCLK	O	I+	
41	P6_4	E8A_BUSY	I-	I-	
42	SDA0	TUN_SDA	SI	O	Tuner I2C synchronization data input and output
43	SCL0	TUN_SCL	SO	O	Tuner I2C synchronous clock output
44	P6_1	(no_use)	O	O	
45	P6_0	(no_use)	O	O	
46	P13_7	R2A_MOSI	O	O	Electronic volume flip-flop synchronization data output
47	P13_6	R2A_SCK	O	O	Electronic volume flip-flop synchronous clock output
48	P13_5	I_PRT	I-	I-	Overcurrent protection detection
49	P13_4	TRANS_RY	O	O	
50	P5_7	(no_use)	O	O	

Pin No.	Port Name	Function Name (P.C.B.)	I/O		Detail of Function
			POWER ON	STANDBY	
51	P5_6	SW_N_MT	O	O	Mute control (Subwoofer)
52	P5_5	E8A_N_EPM	I-	I-	
53	P5_4	HP_N_DET	I+	O	Headphone detection / L: Headphone detected
54	P13_3	HPRY	O	O	Headphone relay control
55	P13_2	SPRY_S	O	O	Speaker relay control (Surround) / H: Relay on
56	P13_1	SPRY_C	O	O	Speaker relay control (Center) / H: Relay on
57	P13_0	SPRY_F	O	O	Speaker relay control (Front) / H: Relay on
58	P5_3	S_N_MT	O	O	Mute control (Surround)
59	P5_2	C_N_MT	O	O	Mute control (Center)
60	P5_1	F_N_MT	O	O	Mute control (Front)
61	P5_0	E8A_N_CE	I+	I+	
62	P12_7	OSDFS_N_CS	O	O	Chip select control of OSD Flash from microprocessor
63	P12_6	(no_use)	O	O	
64	P12_5	PWR_RY	O	O	Power relay control
65	TXD7	APL_MOSI	SO	O	Apple certification, USB, expansion Flash, OSD Flash synchronization data output
66	RXD7	APL_MISO	SI	O	Apple certification, USB, expansion Flash, OSD Flash synchronization data input
67	CLK7	APL_CLK	SO	O	Apple certification, USB, expansion Flash, OSD Flash synchronous clock output
68	P4_4	APL_N_CS	O	O	Apple certification chip • chip select
69	P4_3	USB_N_CS	O	O	USB device chip select
70	P4_2	FLSH_N_CS	O	O	Expansion FlashROM chip select
71	P4_1	N_FCT	I	I	FCT detection / H: Product mode, L: FCT mode
72	P4_0	J_N_DEST	I	I	J model detection / L: J model, H: Other than J model
73	P3_7	OSDFS_BUS_SEL	O	O	
74	P3_6	VOL_RB	I+	I+	Volume rotary encoder B
75	P3_5	VOL_RA	I+	I+	Volume rotary encoder A
76	P3_4	FLD_N_CS	O	O	FL driver chip select
77	P3_3	FLD_N_RST	O	O	FL driver reset
78	P3_2	MIC_N_DET	I-	I-	MIC detection / L: MIC detected
79	P3_1	(reserve)	O	O	Standby through LED spare / H: LED lighting
80	P12_4	(reserve)	O	O	
81	P12_3	(no_use)	O	O	
82	P12_2	(reserve)	O	O	
83	P12_1	5D_PON	O		H: Power supply ON
84	P12_0	3D_PON	O		H: Power supply ON
85	VCC2	VCC2	MCU	MCU	Microprocessor power supply
86	P3_0	E2R_N_CS	O	O	EEPROM chip select
87	VSS	VSS	MCU	MCU	Microprocessor ground
88	P2_7	USB_IPLERR	I+	I+	USB IPL error status detection
89	P2_6	USB_BUSY	I+	I	Condition output from USB device
90	N_INT7	REM_IN	IRQ	IRQ	Remote control pulse input
91	N_INT6	PSW_N_DET	IRQ	IRQ	Power system switch (Power, Scene) detection
92	P2_3	DSP_N_RST	O	O	DSP reset
93	P2_2	DSP_N_RDY	I+	O	DSP Ready input
94	P2_1	DSP_N_CS	O	O	DSP chip select
95	P2_0	DSP_FMT	O	O	DSP full mute output / H: Mute
96	P1_7	USB_SEARCH	I-	I-	Condition output from USB device
97	P1_6	USB_IRPTO	I-	I-	Condition output from USB device

Pin No.	Port Name	Function Name (P.C.B.)	I/O		Detail of Function
			POWER ON	STANDBY	
98	N_INT3	USB_MCHNG	IRQ		USB file reproduction end flag input
99	P1_4	USB_N_RST	O	O	USB device reset
100	SDA6	USB_SDA	SI	O	USB I2C synchronization data input and output
101	SCL6	USB_SCL	SO	I+	USB I2C synchronous clock output
102	P1_1	(reserve)	O	O	
103	P1_0	(reserve)	O	O	
104	P0_7	DAC_N_CS	O	O	DAC chip select
105	P0_6	APL_N_RST	O	O	Apple certification chip reset
106	AN0_5	(reserve)	AD		AD spare
107	AN0_4	(reserve)	AD		AD spare
108	AN0_3	(reserve)	AD		AD spare
109	AN0_2	(reserve)	AD		AD spare
110	AN0_1	THM3	AD	I	Temperature detection 3
111	AN0_0	DEST_FCT	AD		AD spare
112	P11_7	(no_use)	O	O	
113	P11_6	DIR_SDO	I	O	DIR_SDO input for CDDA writing
114	P11_5	DIR_WCK	I	O	DIR_WCK input for CDDA writing
115	P11_4	CPNT_N_PS	O	O	Component video selector IC power save
116	P11_3	VO_N_MT	O	O	Composite video selector mute
117	P11_2	VSEL3	O	O	Video input select
118	P11_1	VSEL2	O	O	Video input select
119	P11_0	VSEL1	O	O	Video input select
120	AN7	DC_PRT	AD	I	Power amp DC detection
121	AN6	AMP_OLV	AD	I	Power amp output level detection
122	AN5	THM1	AD	I	Temperature detection 1
123	AN4	THM2	AD	I	Temperature detection 2
124	AN3	KEY2	AD	I	KEY AD value uptake 2
125	AN2	KEY1	AD	I	KEY AD value uptake 1
126	AN1	PS_PRT	AD	I	PS protection detection
127	AVSS	AVSS	MCU	MCU	Microprocessor ground
128	P10_0	(no_use)	O	O	AD spare

Key detection for A/D port

Key input (A/D) pull-up resistance 10 k-ohms

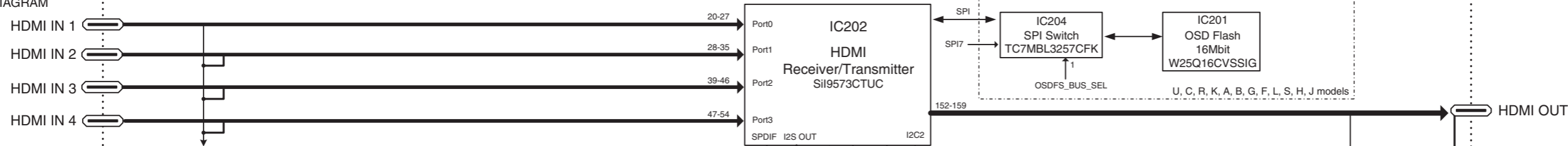
	0 Ω	+ 1.0 kΩ	+ 1.5 kΩ	+ 1.8 kΩ	+ 2.2 kΩ	+ 3.3 kΩ	+ 4.7 kΩ	+ 8.2 kΩ	+ 10 kΩ
Detected voltage value at 125 pin	0 – 0.15 V	0.15 – 0.48 V	0.49 – 0.82 V	0.83 – 1.14 V	1.15 – 1.46 V	1.47 – 1.79 V	1.80 – 2.12 V	2.13 – 2.40 V	2.41 – 2.91 V
A/D value (3.3 V=255)	0 – 11	12 – 37	38 – 64	65 – 88	89 – 113	114 – 139	140 – 164	165 – 186	187 – 226
Key name (KEY1: 125 pin)	STRAIGHT	TUNING >>	TUNING <<	AM	FM	PRESET >	PRESET <	MEMORY	INFO

	0 Ω	+ 1.0 kΩ	+ 1.0 kΩ	+ 1.5 kΩ	+ 1.5 kΩ	+ 2.2 kΩ	+ 3.3 kΩ	+ 4.7 kΩ	(22 kΩ + 33 kΩ)	+ 22 kΩ	+ 33 kΩ
Detected voltage value at 124 pin	0 – 0.15 V	0.15 – 0.42 V	0.43 – 0.70 V	0.71 – 0.97 V	0.98 – 1.24 V	1.25 – 1.53 V	1.54 – 1.84 V	1.84 – 2.10 V	2.11 – 2.33 V	2.34 – 2.54 V	2.55 – 2.97 V
A/D value (3.3 V=255)	0 – 11	12 – 32	33 – 54	55 – 75	76 – 96	97 – 119	120 – 142	143 – 163	164 – 181	182 – 197	198 – 229
Key name (KEY2: 124 pin)	SCENE RADIO	SCENE CD	SCENE TV	SCENE BD/DVD	PROGRAM >	PROGRAM <	INPUT >	INPUT <	-	⏻ (Power)	TONE CONTROL

BLOCK DIAGRAMS

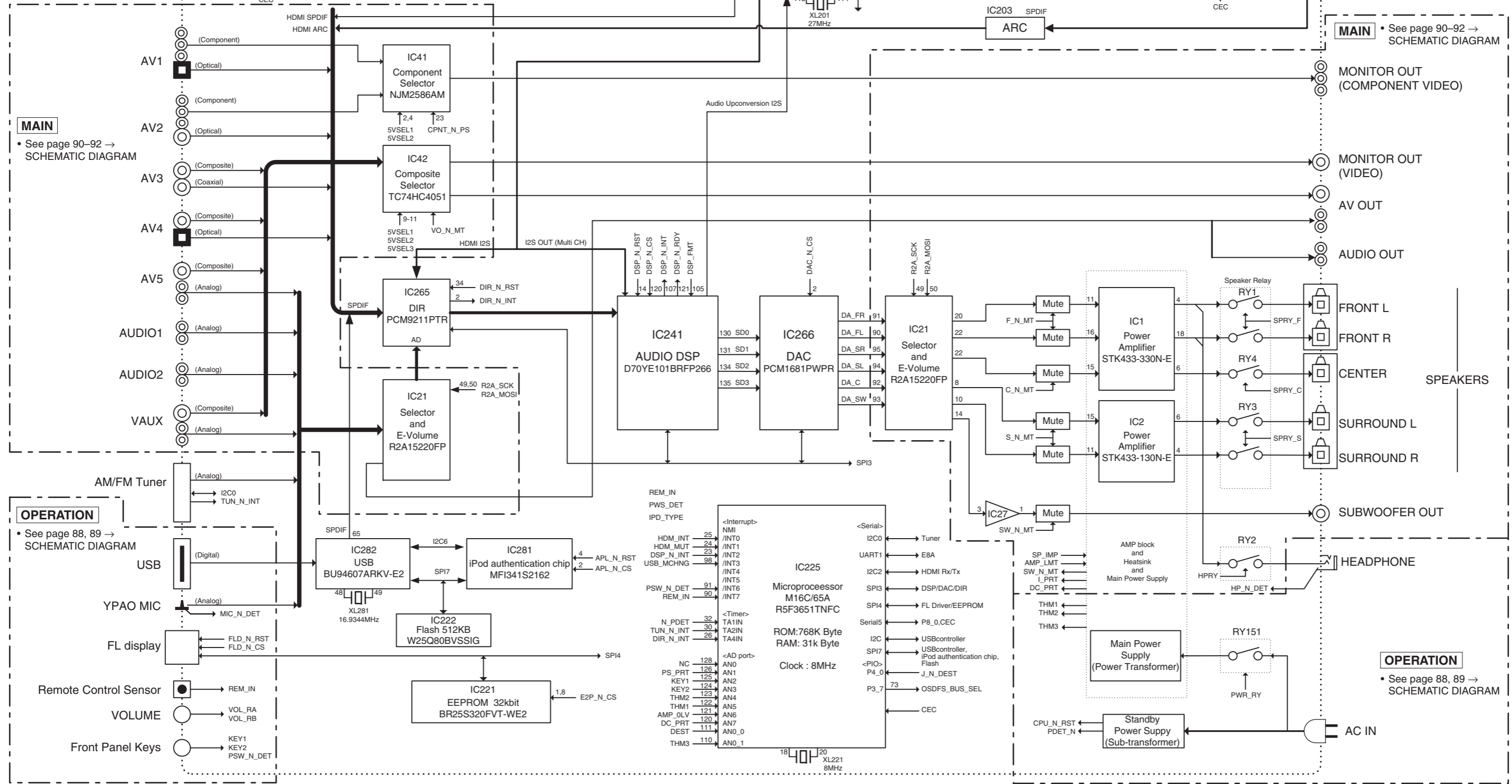
DIGITAL

• See page 83-87 →
SCHEMATIC DIAGRAM



MAIN

• See page 90-92 →
SCHEMATIC DIAGRAM

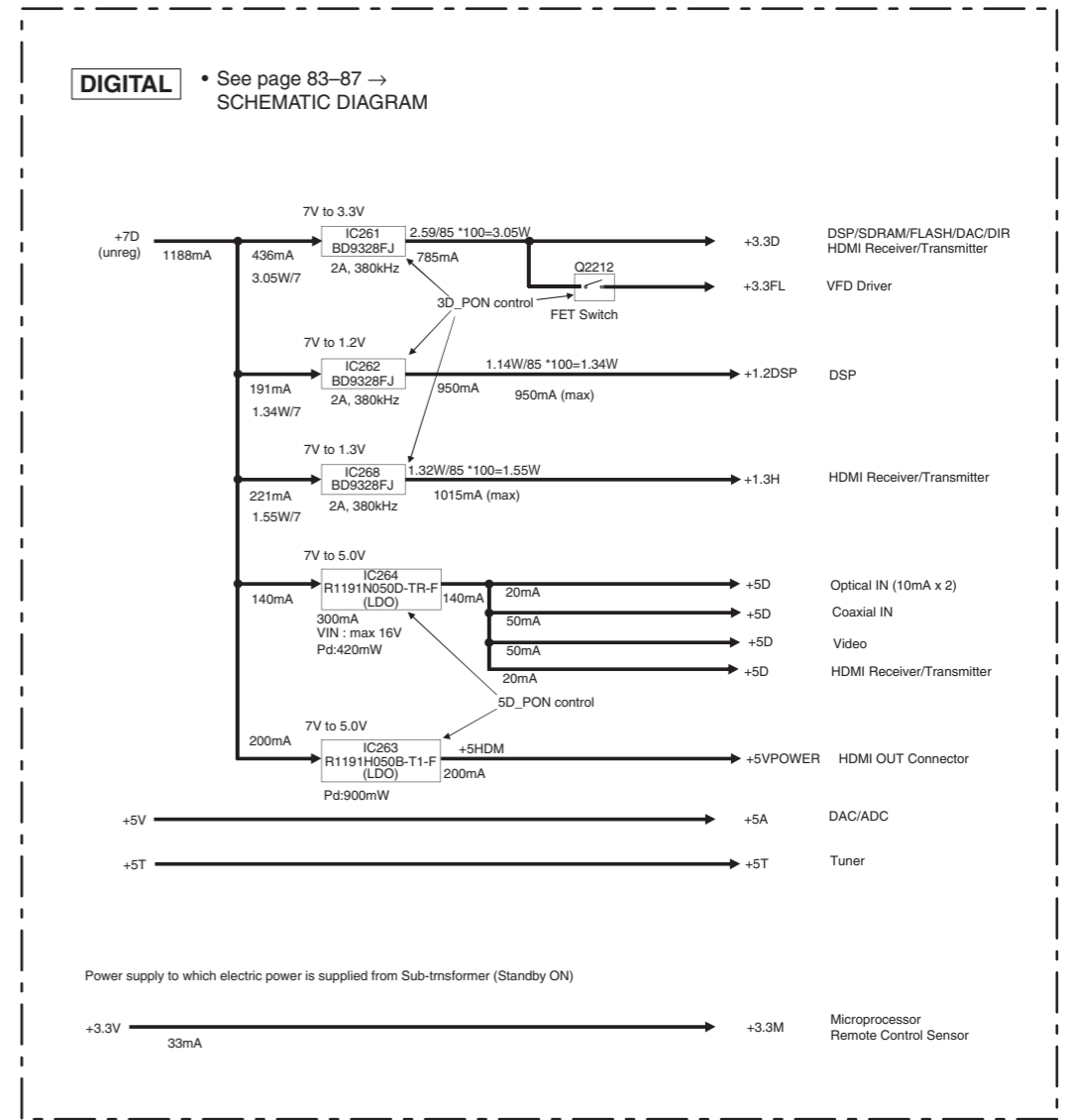
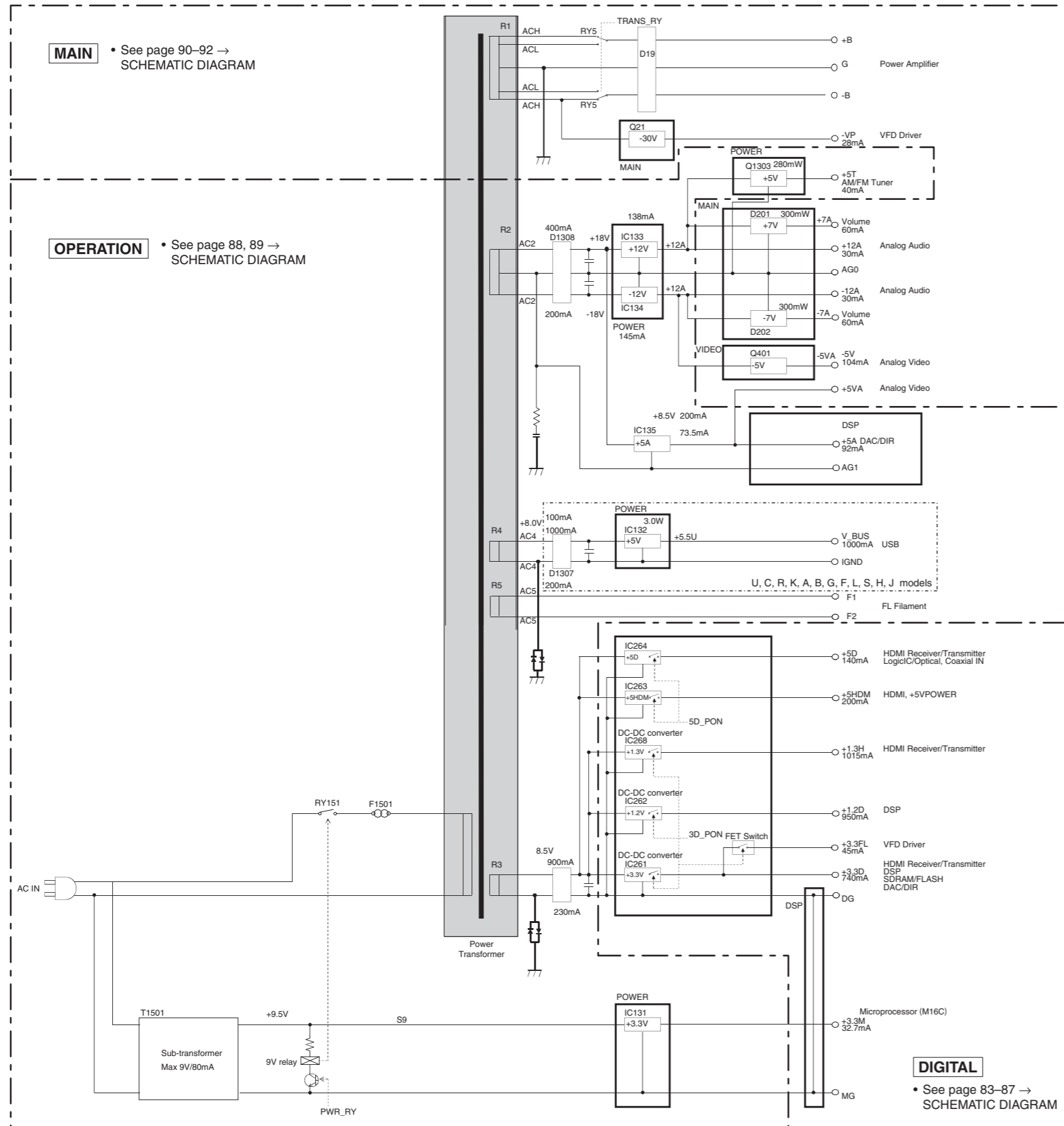


• See page 90-92 →
SCHEMATIC DIAGRAM

• See page 88, 89 →
SCHEMATIC DIAGRAM

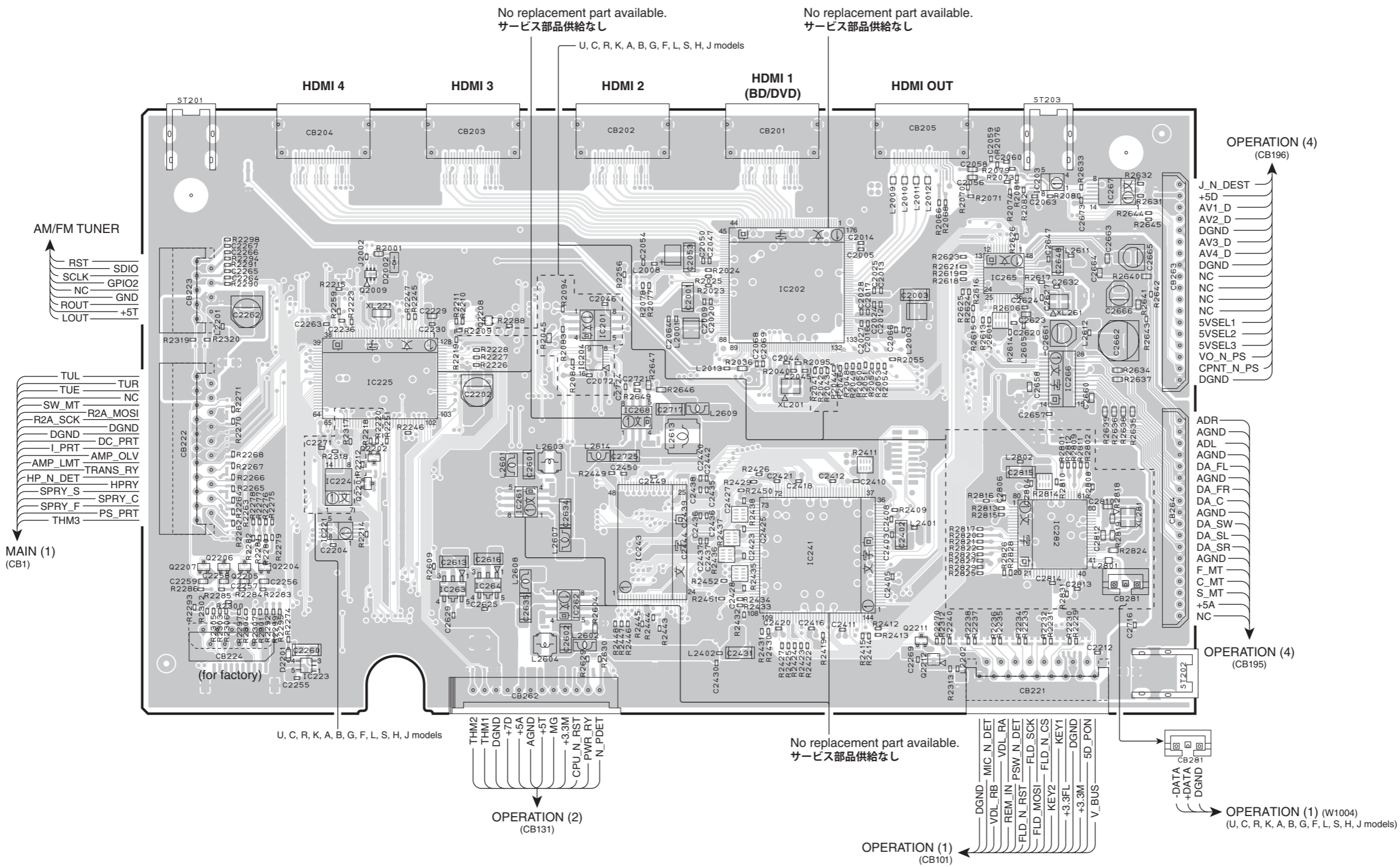
Power Supply Section Block Diagram

1
2
3
4
5
6
7



PRINTED CIRCUIT BOARDS

DIGITAL (Side A)

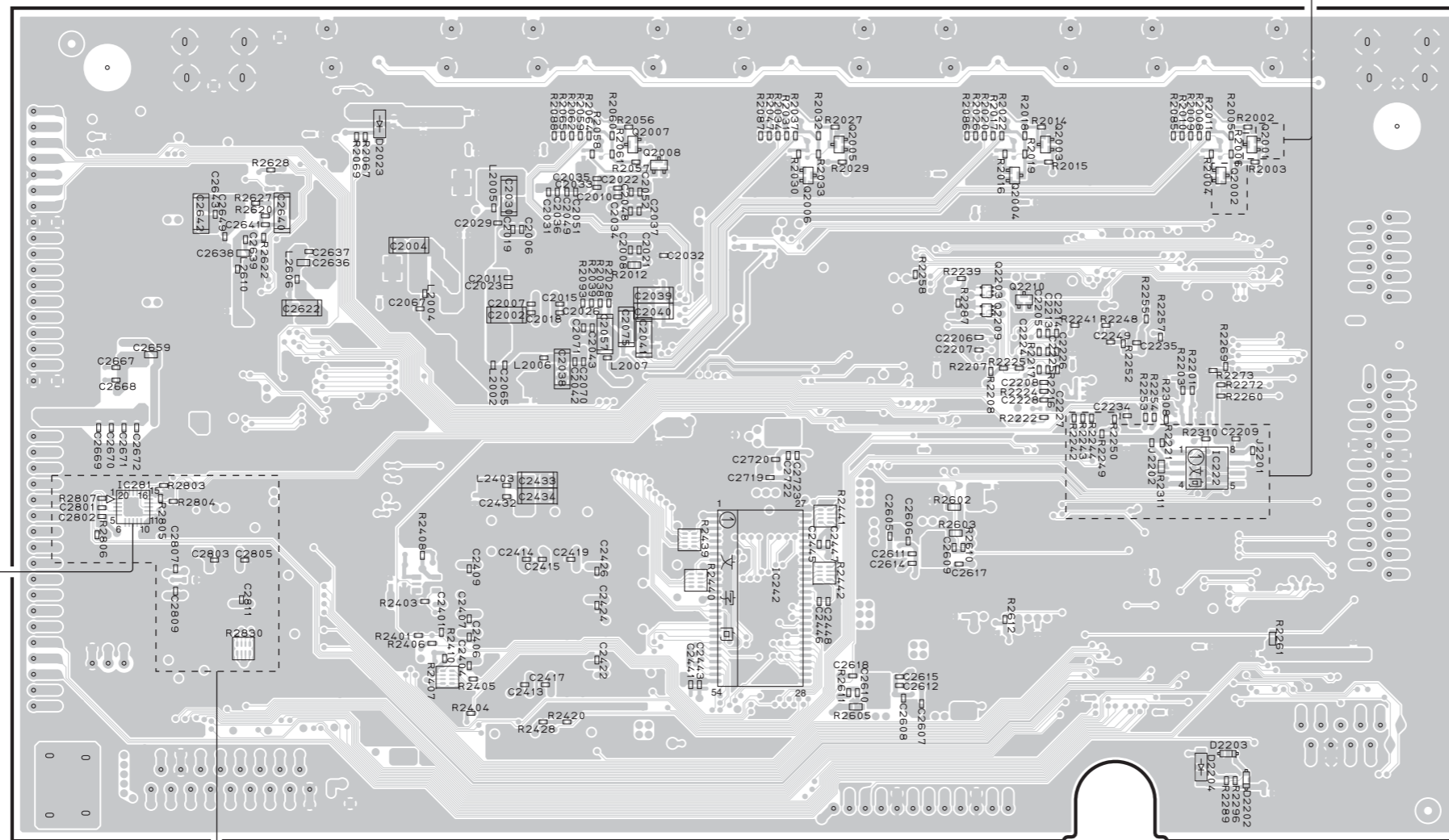


• Semiconductor Location

Ref no.	Location
D2002	D4
D2201	C6
IC201	E4
IC202	F4
IC203	H3
IC204	E4
IC221	D5
IC223	C6
IC224	C5
IC225	D4
IC241	F5
IC243	E5
IC261	E5
IC262	E6
IC263	D5
IC264	D5
IC265	G4
IC266	H4
IC267	H3
IC268	E5
IC282	H5
Q2001	D5
Q2002	D5
Q2009	D4
Q2204	C5
Q2205	C5
Q2206	C5
Q2207	C5
Q2208	D4
Q2211	G6
Q2212	G6

DIGITAL (Side B)

U, C, R, K, A, B, G, F, L, S, H, J models



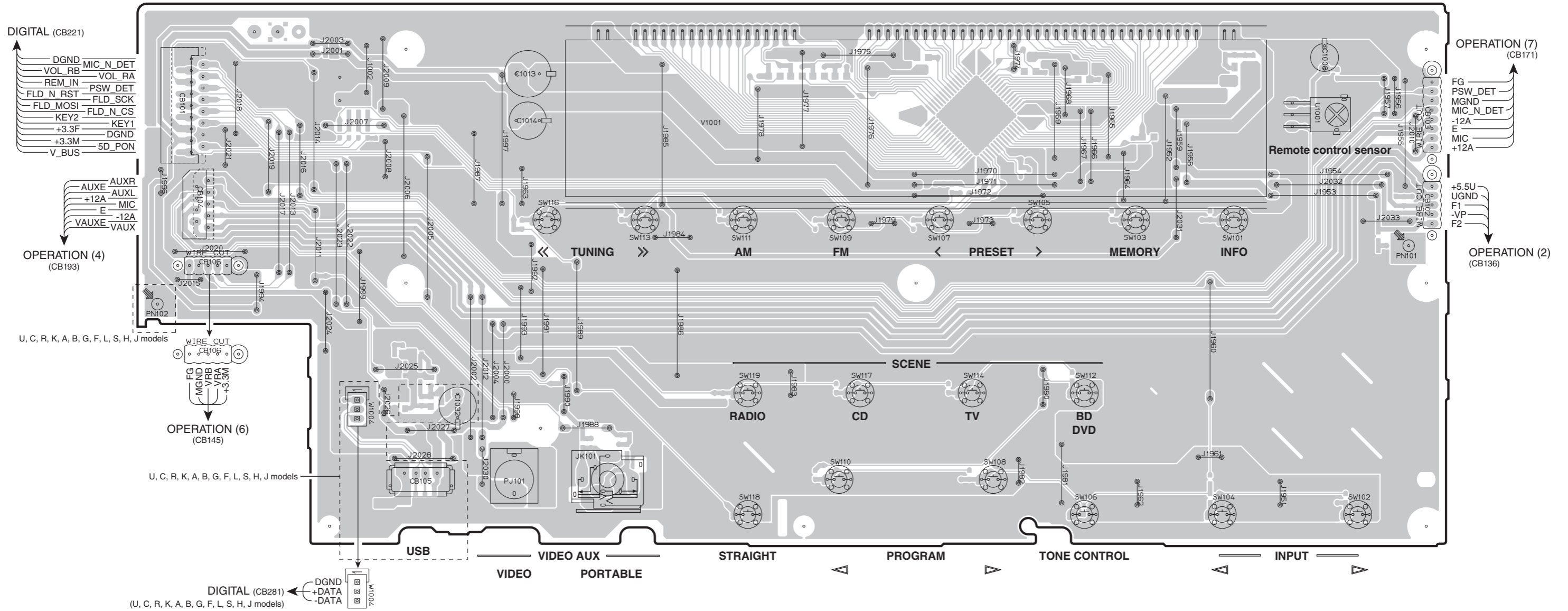
No replacement part available.
サービス部品供給なし

U, C, R, K, A, B, G, F, L, S, H, J models

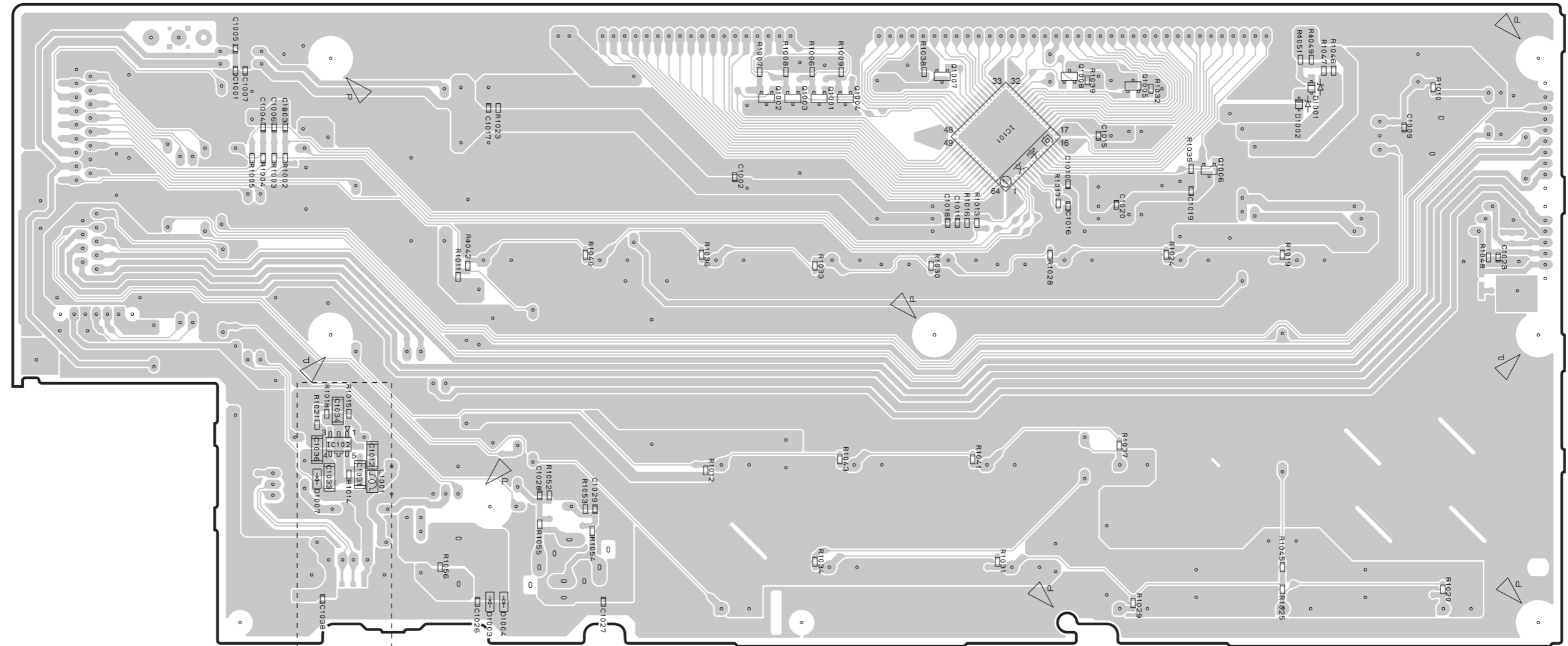
• Semiconductor Location

Ref no.	Location
D2203	C3
D2202	G6
D2203	G6
D2204	G6
IC222	G5
IC242	E5
IC281	B5
Q2003	F3
Q2004	F3
Q2005	E3
Q2006	E3
Q2007	D3
Q2008	D3
Q2201	G3
Q2202	G3
Q2203	F4
Q2209	F4
Q2210	F4

OPERATION (1) (Side A)



OPERATION (1) (Side B)

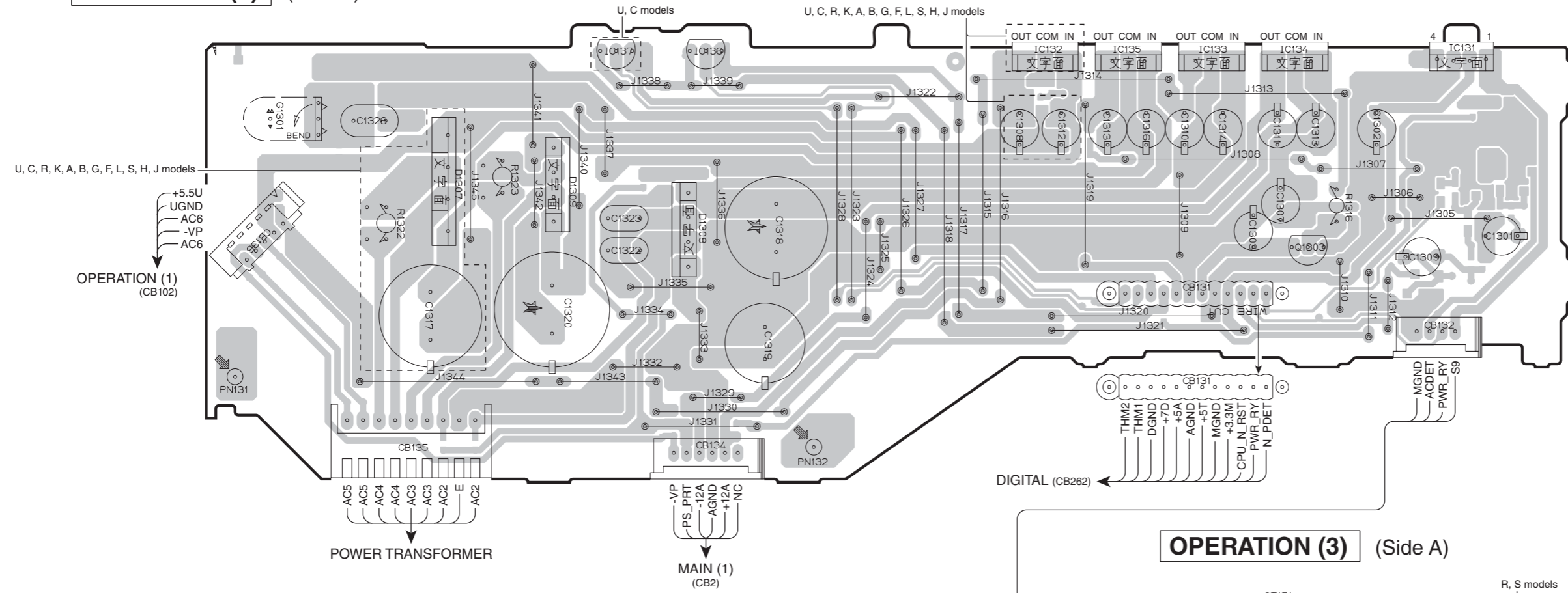


U, C, R, K, A, B, G, F, L, S, H, J models

• Semiconductor Location

Ref no.	Location	Ref no.	Location
D1001	H3	Q1002	E3
D1002	H3	Q1003	E3
D1003	D5	Q1004	F3
D1004	D5	Q1005	G3
D1007	C5	Q1006	G3
IC101	F3	Q1007	F3
IC102	C5	Q1008	G3
Q1001	E3		

OPERATION (2) (Side A)



• Semiconductor Location

Ref no.	Location	Ref no.	Location	Ref no.	Location	Ref no.	Location
D1307	C2	D1505	H5	IC133	G2	Q1303	G3
D1308	D3	D1506	H5	IC134	G2	Q1501	H7
D1309	D2	D1507	H5	IC135	G2	Q1502	H7
D1503	G5	IC131	H2	IC136	D2	Q1503	H7
D1504	G5	IC132	F2	IC137	D2	Q1504	H6

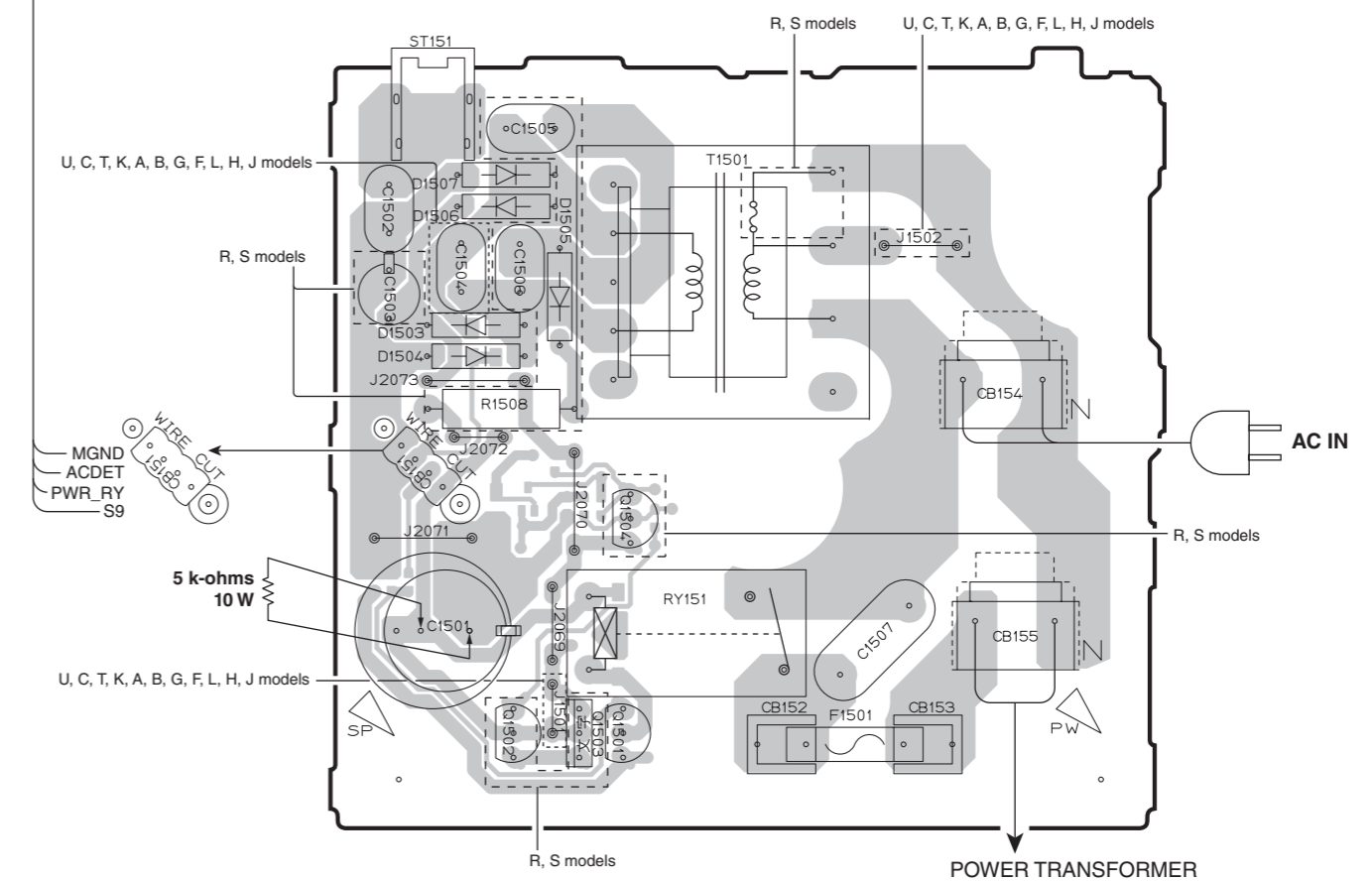
Safety measures

- Some internal parts in this product contain high voltages and are dangerous. Be sure to take safety measures during servicing, such as wearing insulating gloves.
- Note that the capacitors indicated below are dangerous even after the power is turned off because an electric charge remains and a high voltage continues to exist there. Before starting any repair work, connect a discharging resistor (5 k-ohms/10 W) to the terminals of each capacitor indicated below to discharge electricity. The time required for discharging is about 30 seconds per each. C1501 on OPERATION (3) P.C.B.

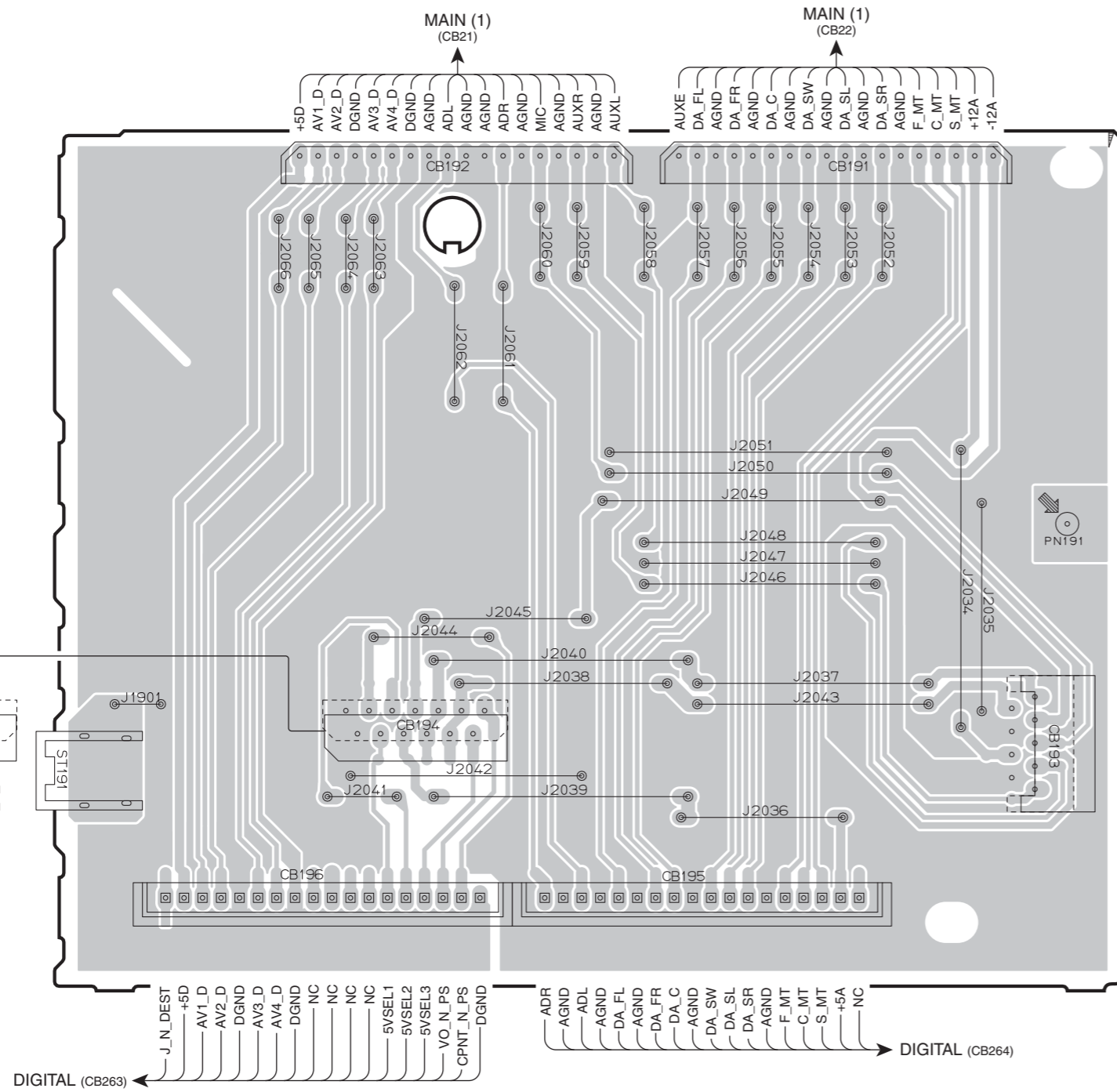
安全対策

- この製品の内部には高電圧部分があり危険です。修理の際は、絶縁性の手袋を使用するなどの安全対策を行ってください。
- 下記のコンデンサには電源を OFF にした後も電荷が残り、高電圧が維持されており危険です。修理作業前に放電用抵抗 (5 k Ω / 10 W) を下記の各コンデンサの端子間に接続して放電してください。放電所用時間は各々約 30 秒間です。OPERATION (3) P.C.B. の C1501

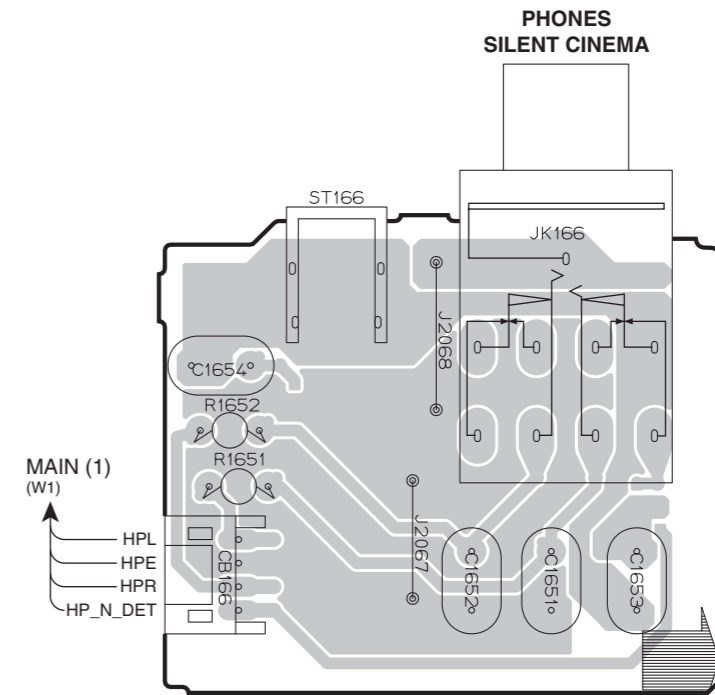
OPERATION (3) (Side A)



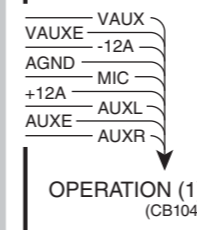
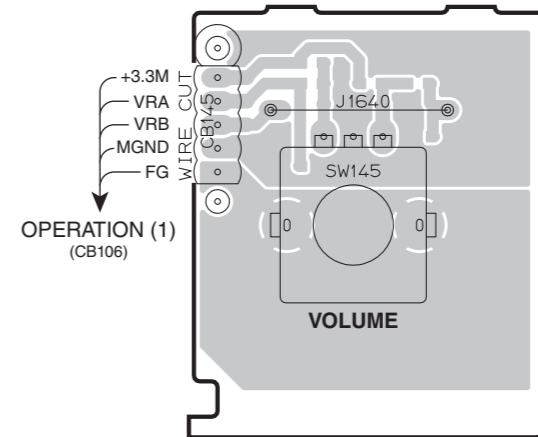
OPERATION (4) (Side A)



OPERATION (5) (Side A)



OPERATION (6) (Side A)

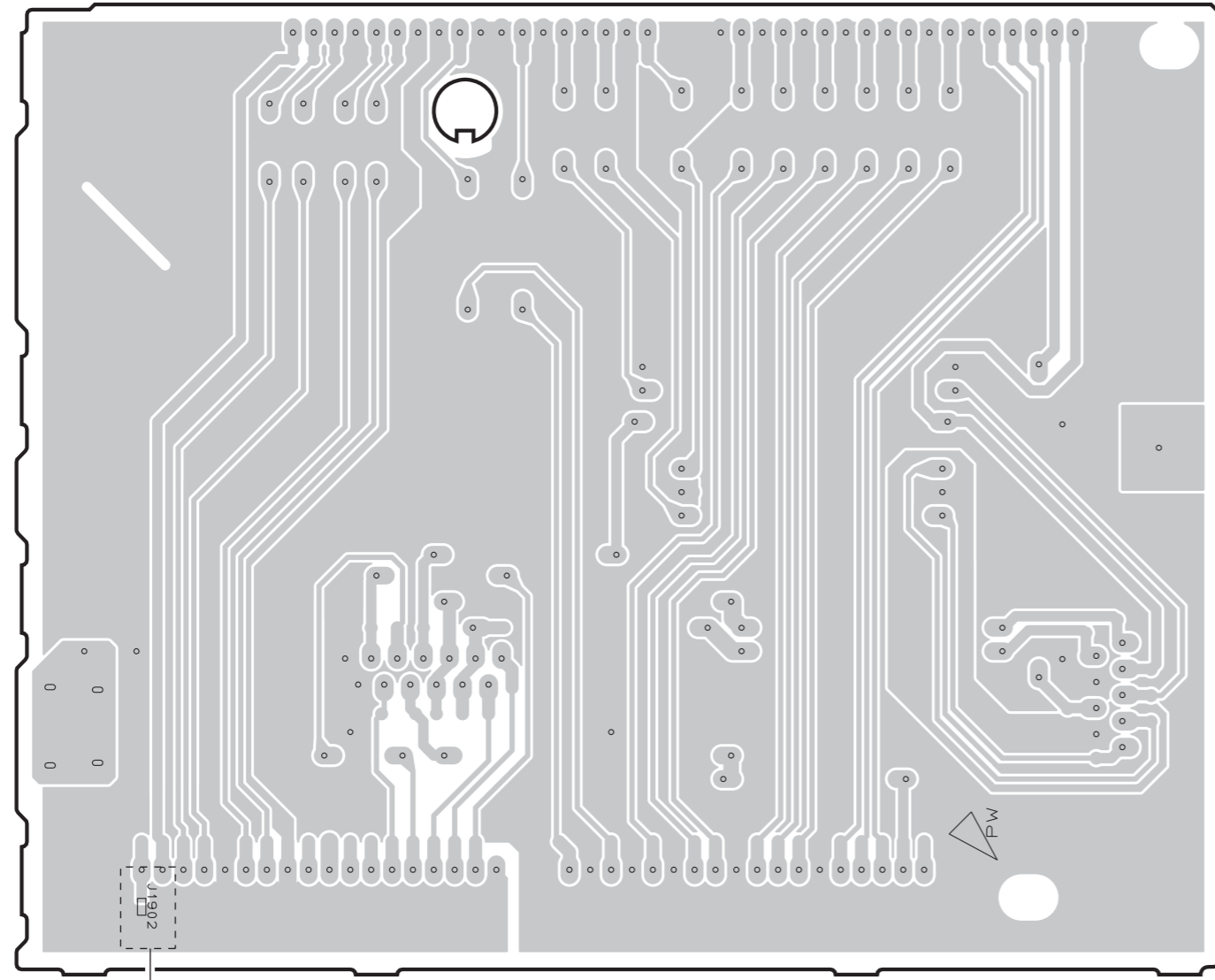


1
2
3
4
5
6
7

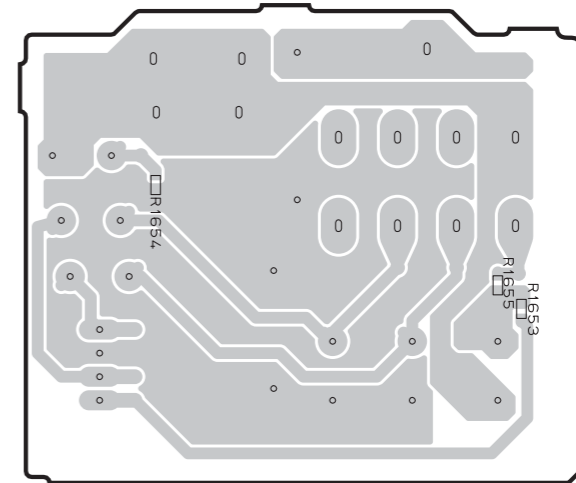
A B C D E F G H I J

1
2
3
4
5
6
7

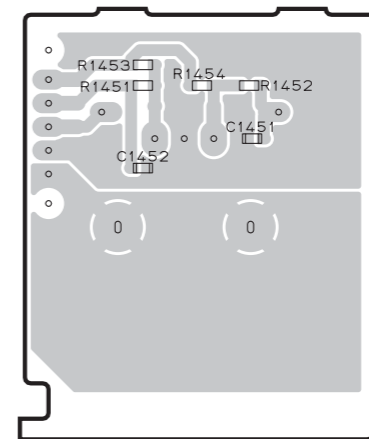
OPERATION (4) (Side B)



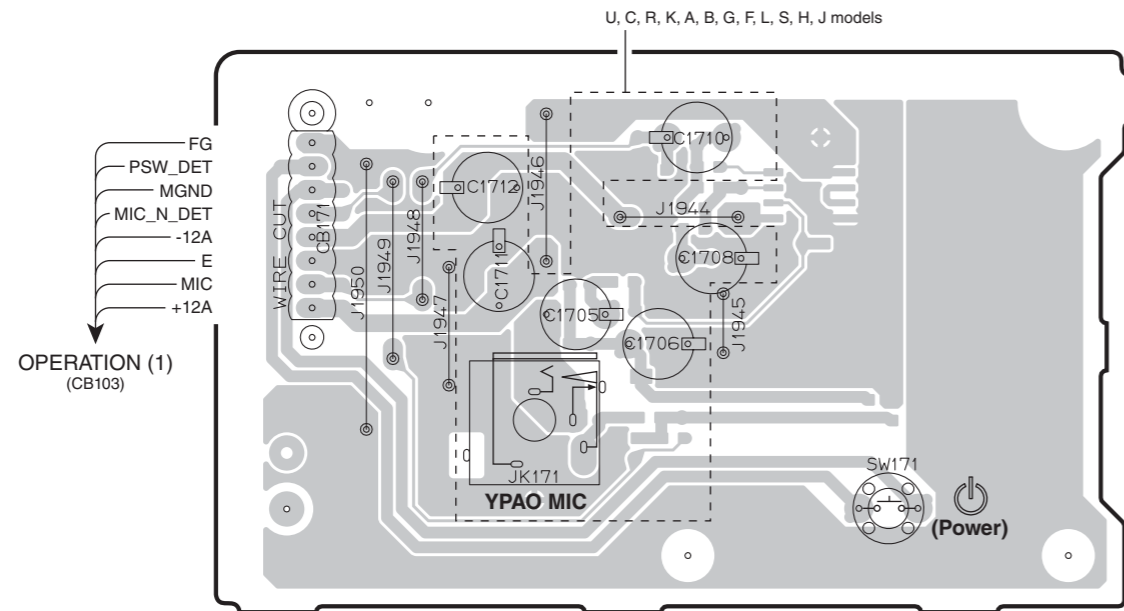
OPERATION (5) (Side B)



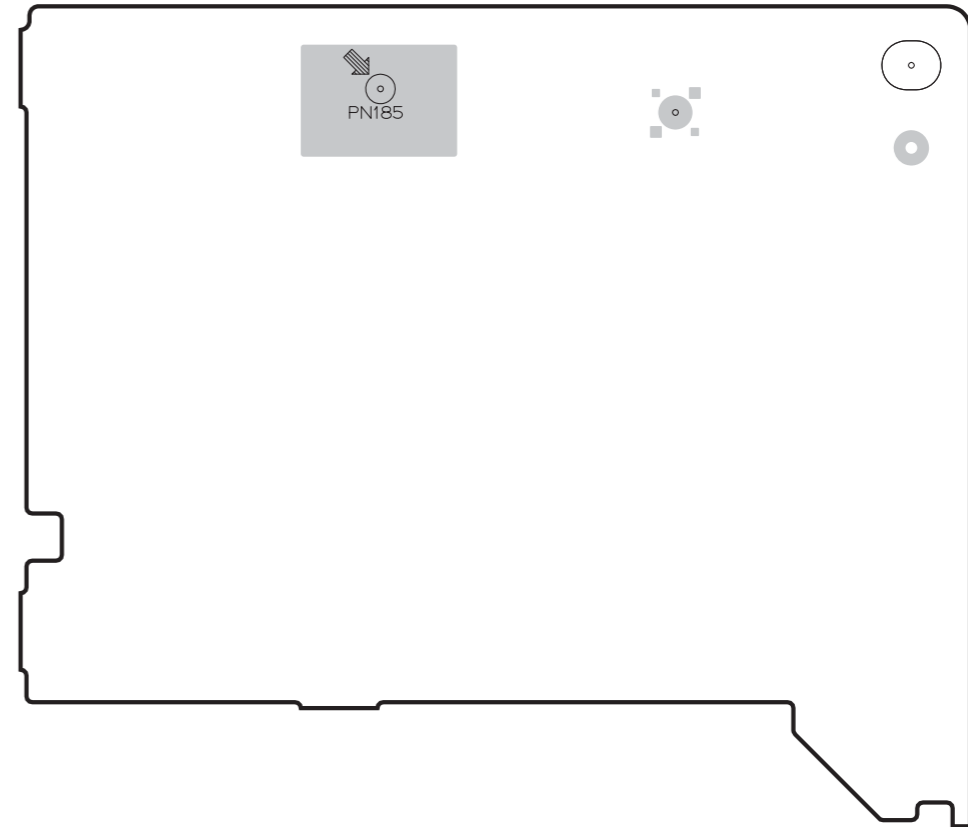
OPERATION (6) (Side B)



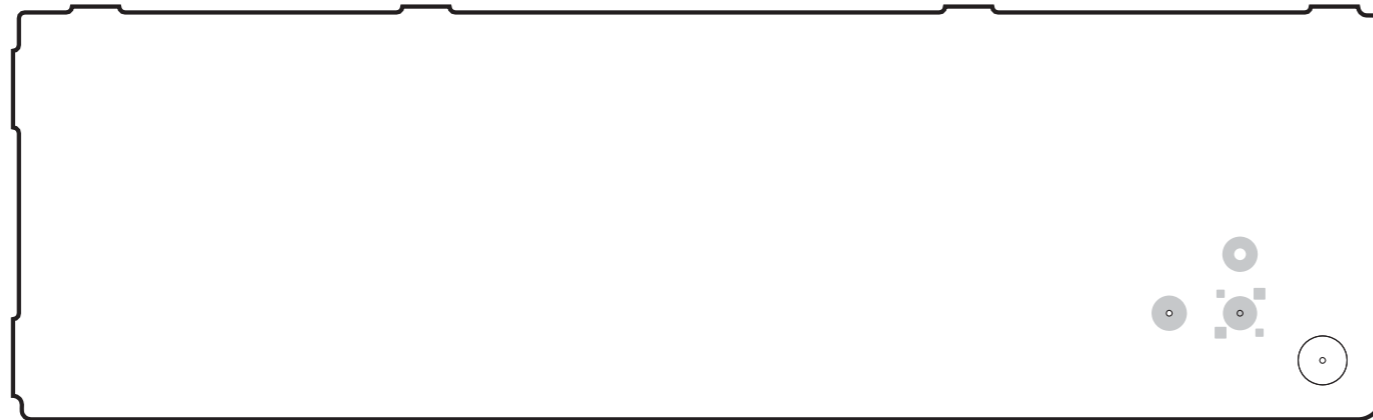
OPERATION (7) (Side A)



OPERATION (8) (Side A)

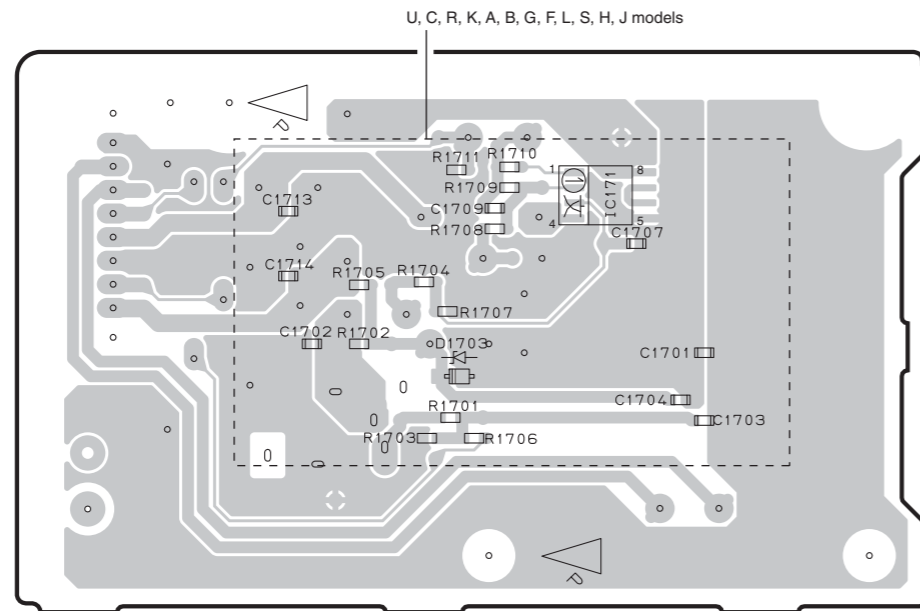


OPERATION (9) (Side A)

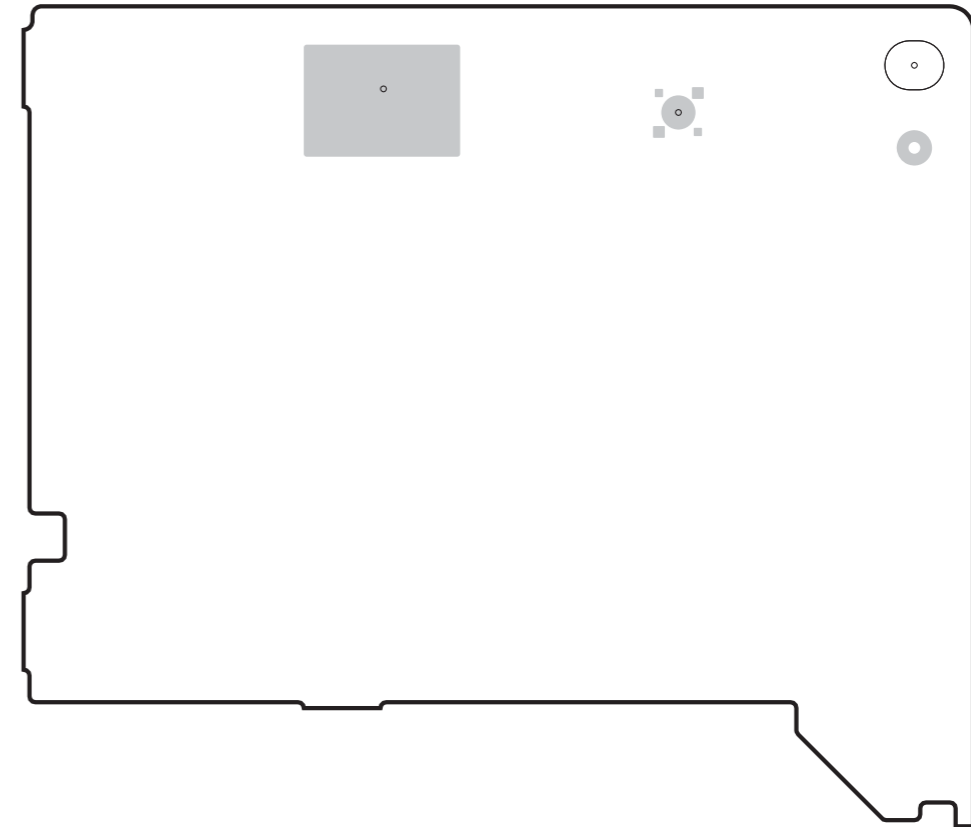


1
2
3
4
5
6
7

OPERATION (7) (Side B)



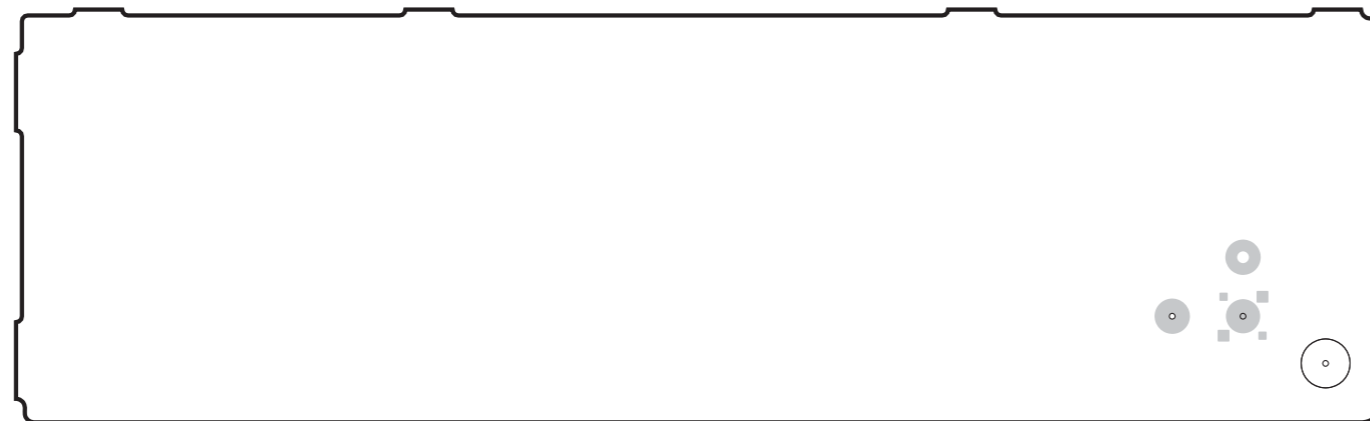
OPERATION (8) (Side B)



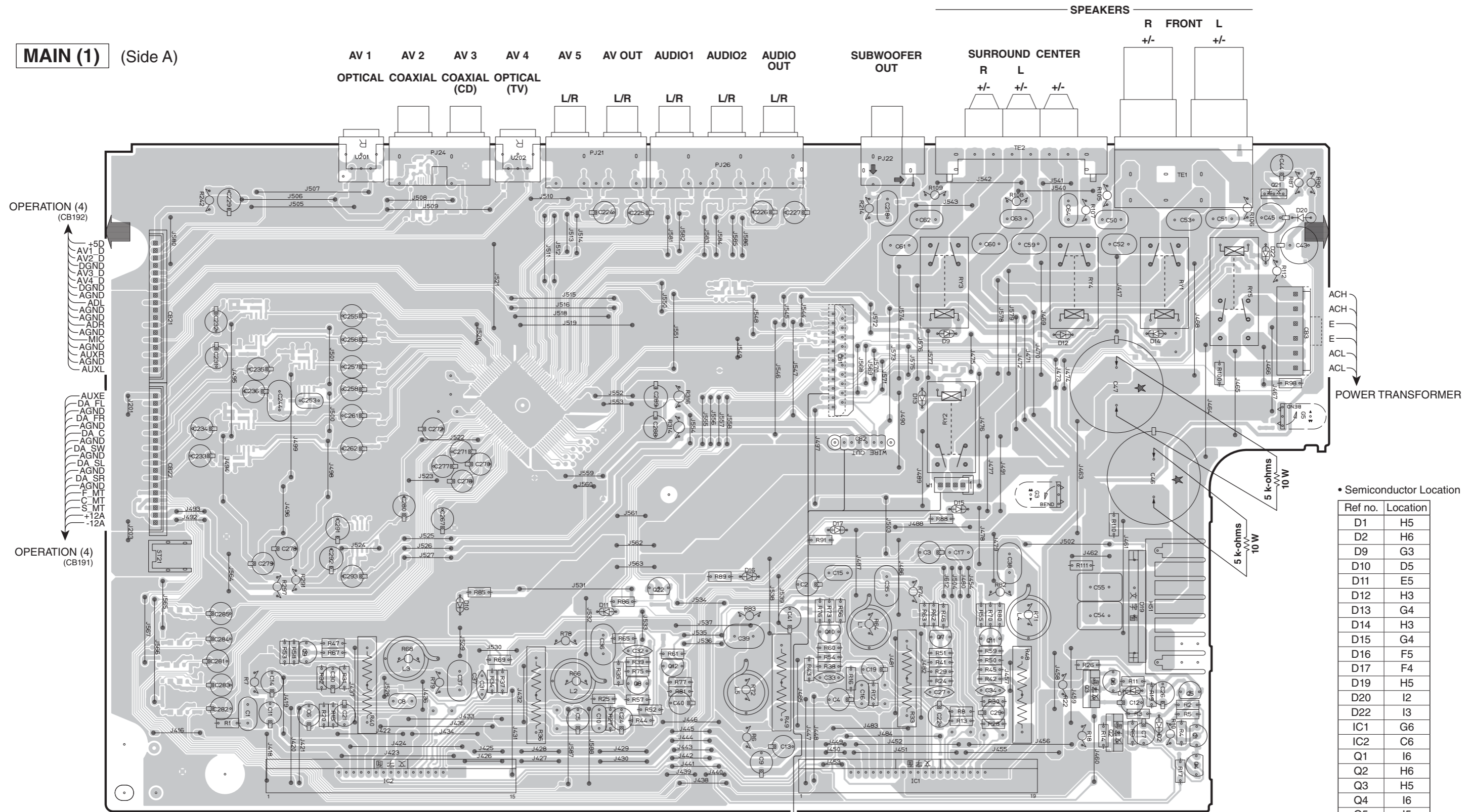
• Semiconductor Location

Ref no.	Location
D1703	C3
IC171	D2

OPERATION (9) (Side B)



MAIN (1) (Side A)



• Semiconductor Location

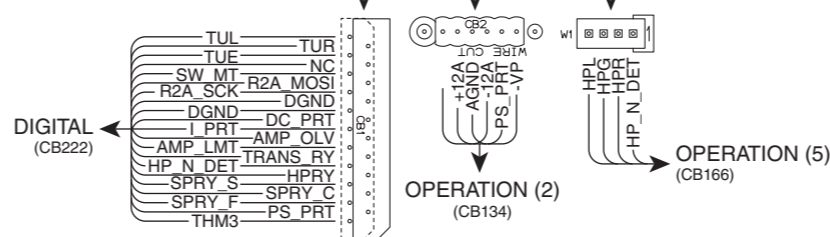
Ref no.	Location
D1	H5
D2	H6
D9	G3
D10	D5
D11	E5
D12	H3
D13	G4
D14	H3
D15	G4
D16	F5
D17	F4
D19	H5
D20	I2
D22	I3
IC1	G6
IC2	C6
Q1	I6
Q2	H6
Q3	H5
Q4	I6
Q5	I5
Q6	H5
Q7	G5
Q8	E5
Q9	C5
Q10	F5
Q11	G5
Q12	E5
Q21	I2
Q22	E5

Safety measures

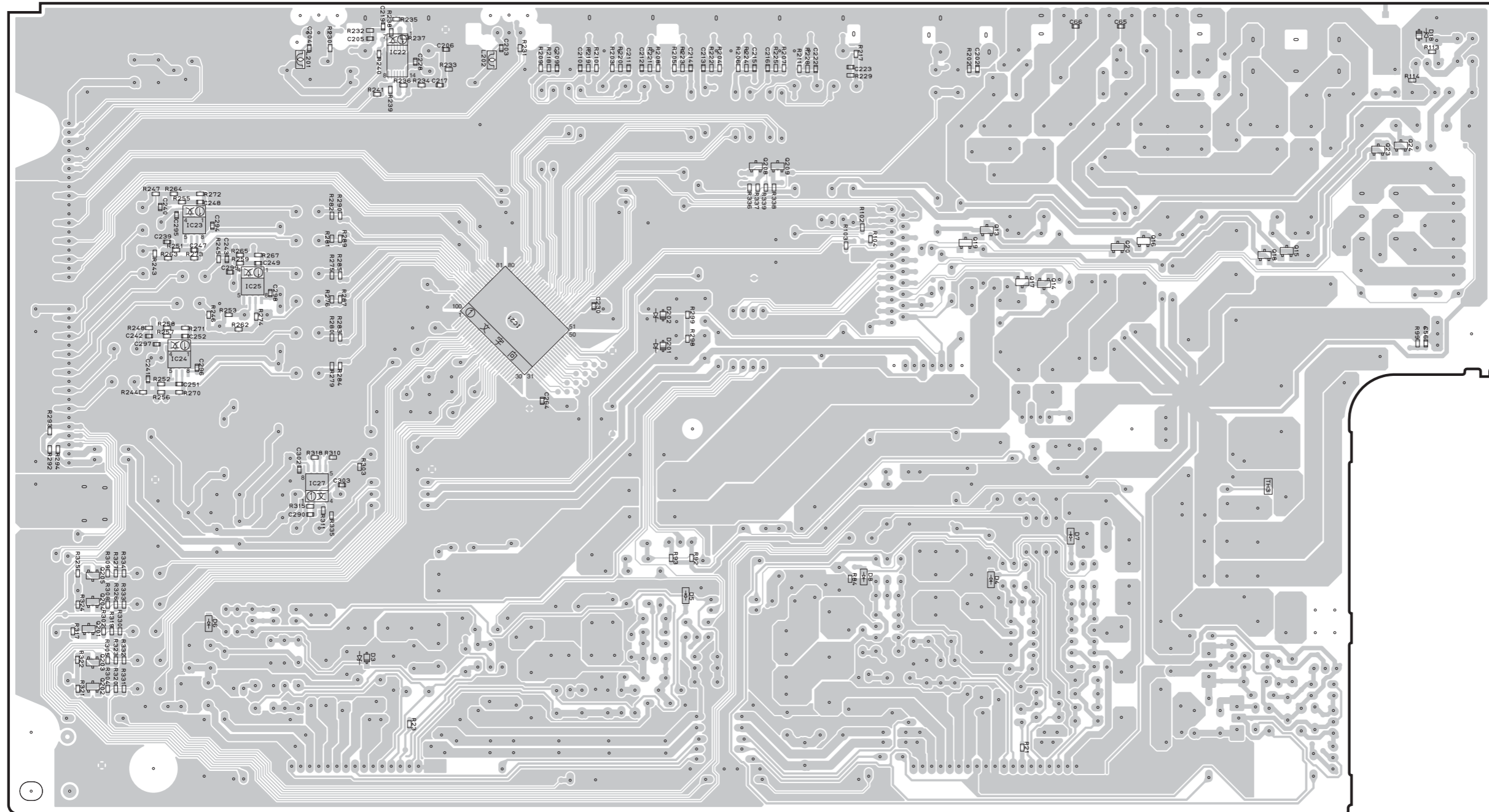
- Some internal parts in this product contain high voltages and are dangerous. Be sure to take safety measures during servicing, such as wearing insulating gloves.
- Note that the capacitors indicated below are dangerous even after the power is turned off because an electric charge remains and a high voltage continues to exist there. Before starting any repair work, connect a discharging resistor (5 k-ohms/10 W) to the terminals of each capacitor indicated below to discharge electricity. The time required for discharging is about 30 seconds per each. C46, C47 on MAIN (1) P.C.B.

安全対策

- この製品の内部には高電圧部分があり危険です。修理の際は、絶縁性の手袋を使用するなどの安全対策を行ってください。
- 下記のコンデンサには電源をOFFにした後も電荷が残り、高電圧が維持されており危険です。修理作業前に放電用抵抗 (5 k Ω /10 W) を下記の各コンデンサの端子間に接続して放電してください。放電所用時間は各々約 30 秒間です。MAIN (1) P.C.B. の C46、C47



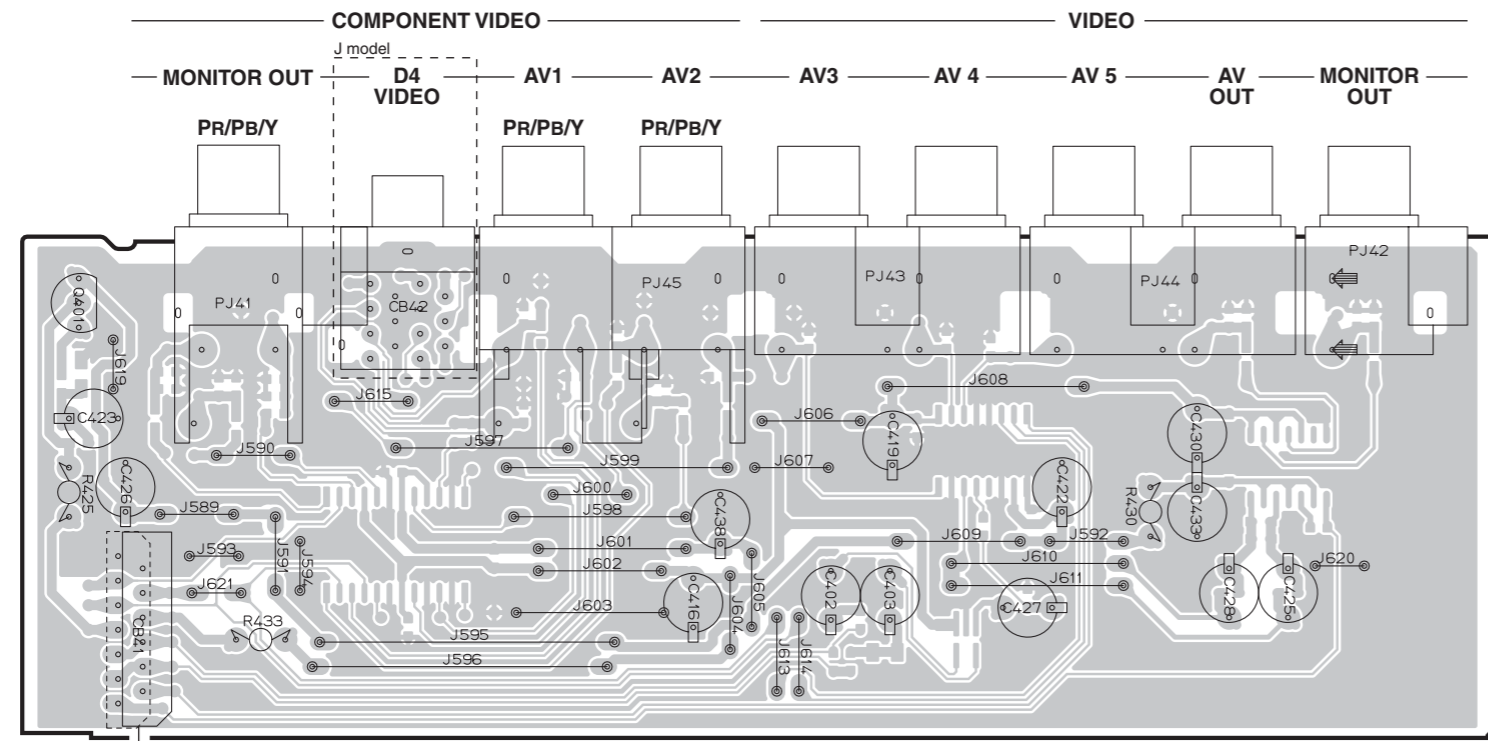
MAIN (1) (Side B)



• Semiconductor Location

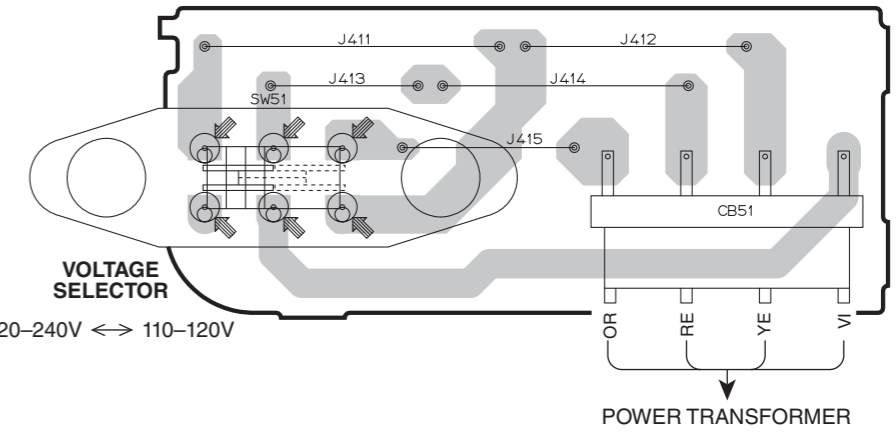
Ref no.	Location
D3	C5
D4	F5
D5	E5
D6	B5
D7	G5
D8	F5
D18	I2
D201	D4
D202	D4
IC21	D4
IC22	C2
IC23	B3
IC24	B4
IC25	B3
IC27	C4
Q13	F3
Q14	G3
Q15	H3
Q16	G3
Q17	F3
Q18	H3
Q19	F3
Q20	G3
Q23	H3
Q24	H3
Q201	A5
Q202	A6
Q203	A5
Q204	A5
Q205	A5
Q208	E3
Q209	E3

MAIN (2) (Side A)



MAIN (3) (Side A)

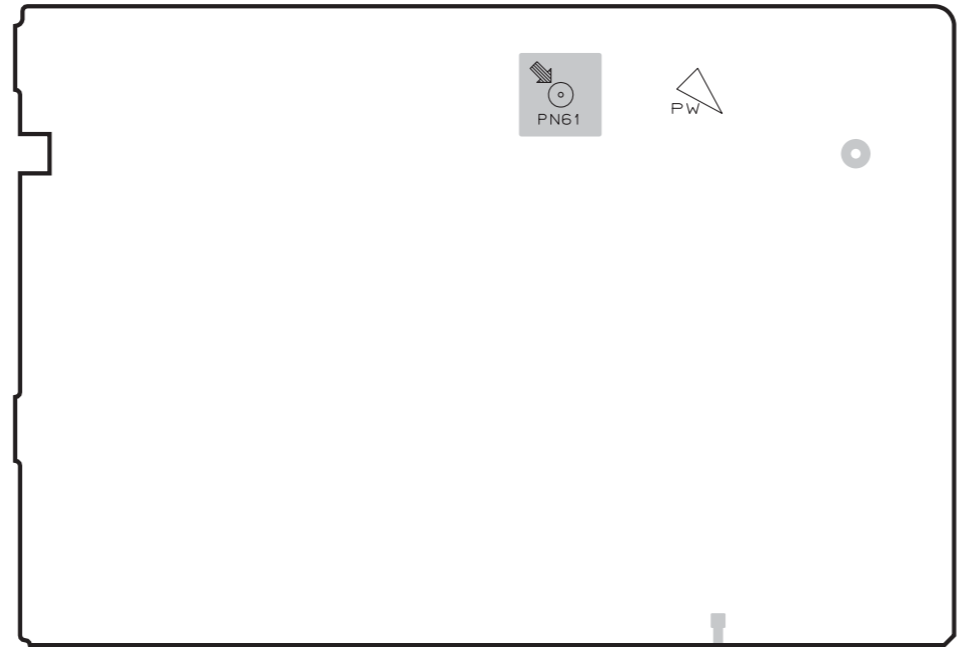
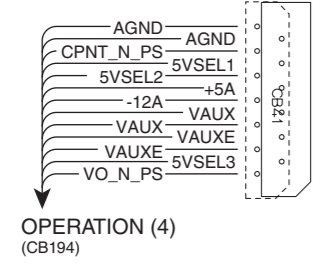
R, S models



• Semiconductor Location

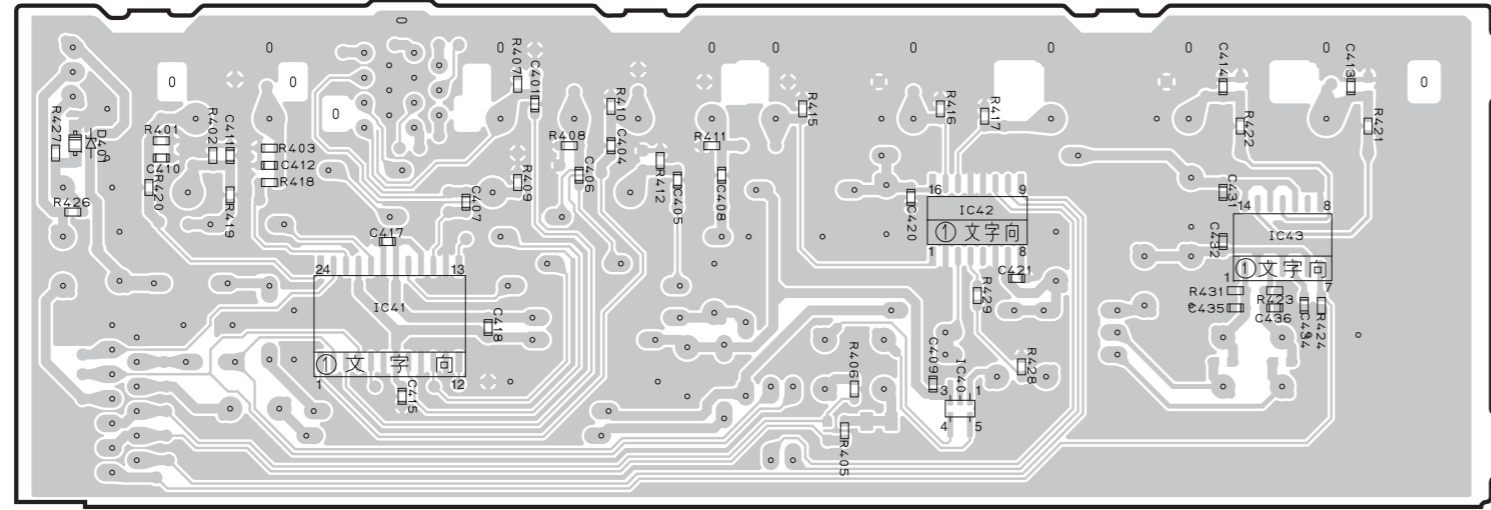
Ref no.	Location
Q401	B3

MAIN (4) (Side A)



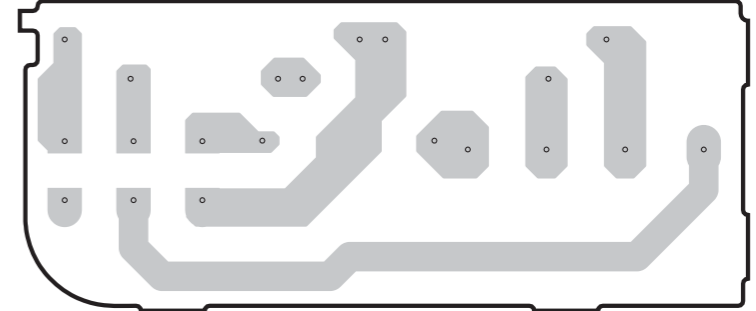
1
2
3
4
5
6
7

MAIN (2) (Side B)

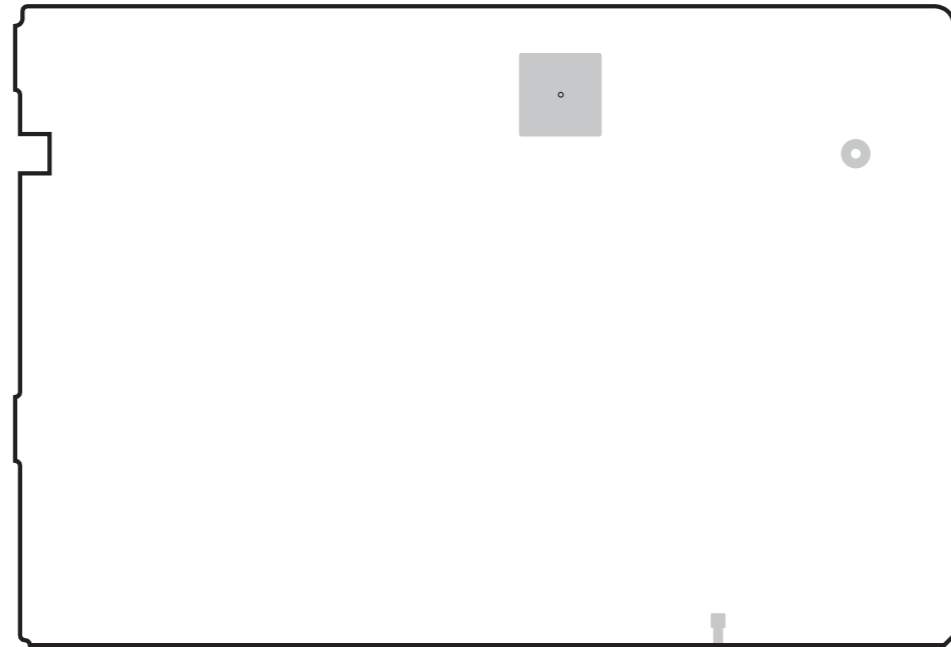


MAIN (3) (Side B)

R, S models



MAIN (4) (Side B)



• Semiconductor Location

Ref no.	Location
D401	A3
IC40	D4
IC41	B3
IC42	D3
IC43	E3

PIN CONNECTION DIAGRAMS

• ICs

BA4560F-E2 	R1EX25032ATA00A 	D70YE101BRFP266 	KIA7805API KIA7812API 	KIA7912PI
BD9328EFJ 	BU94607ARKV-E2 			
LM19CIZ/LF 	M12L64164A-5TG 	M66003-0131FP-R 	MFI341S2161 	MX29LV160DBT1-70G
NJM2388F33 	NJM2505A 	NJM2581M 	NJM2586AM (TE2) 	PCM1681PWPR
PCM9211PTR 	R1172H501D-T1-F R1191H050B-T1-FE R1191H050D-T1-FE 	R2A15220FP 	R5F3651TNFC 	SI19573CTUC
SN74LVC1G17DCKR 	STK433-130N-E 	STK433-330N-E 	TC7MBL3257CFK 	TC74HC4051AFEL
TC7VHC08FT TC74VHCT08AFT TC74VHCU04FT 	TC7WHU04FU 	W25Q16CVSSIG W25Q80BVSSIG 		

• Diodes

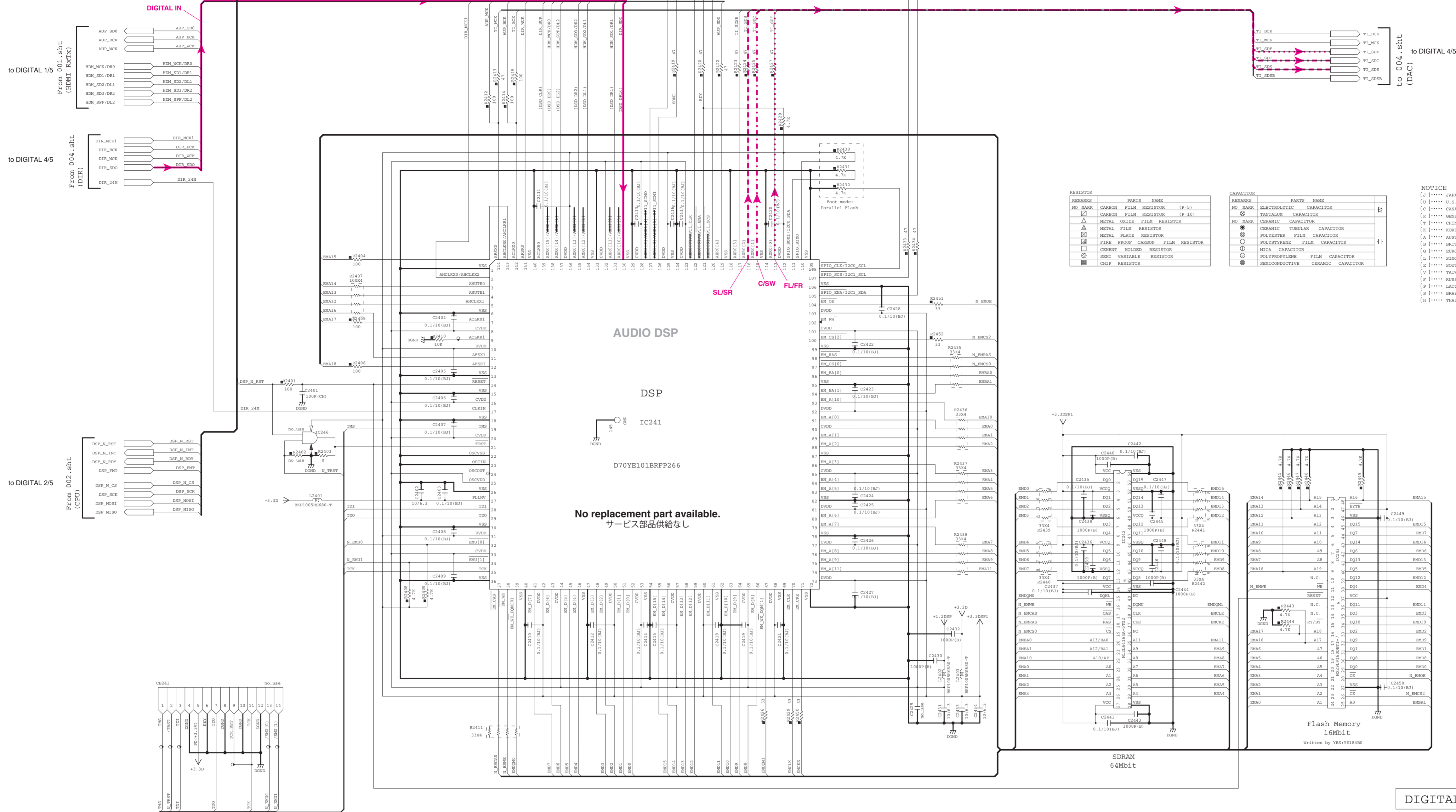
1N4003S 1SS133 1SS176 1SS270A 	1SS355VMTE-17 	1T2 	KBP103G 1.0A 200V 	KDS160-RTK
RB500V-40 RB501V-40 RB521S-30 	RS203M-B-C-J80 	TFZGTR4.7A TFZGTR5.6C TFZGTR6.8C TFZGTR39D 	TS6P03G 6.0A 200V 	UDZV4.3B UDZV4.7B UDZV5.1B UDZV5.6B UDZV6.8B UDZV39B

• Transistors

2SA1576UBTLR 	2SA1015-Y 2N5401C-AT/P KTA1266 Y AT 	2SB1236 TV2Q 	2SB1565 E,F 	2SC4081UBTLR 	2N5551C-AT KTC3198 Y AT 	2SD2704 K KTC3875S 	DTA044EUBTL DTC014EUBTL
DTC114ESA-TP 	DTC114EUA TP 	HN4B01JE 	KRA104S-RTK KRC102S-RTK KRC104S-RTK 	RAL035P01 	μPA672T-T1-A 		

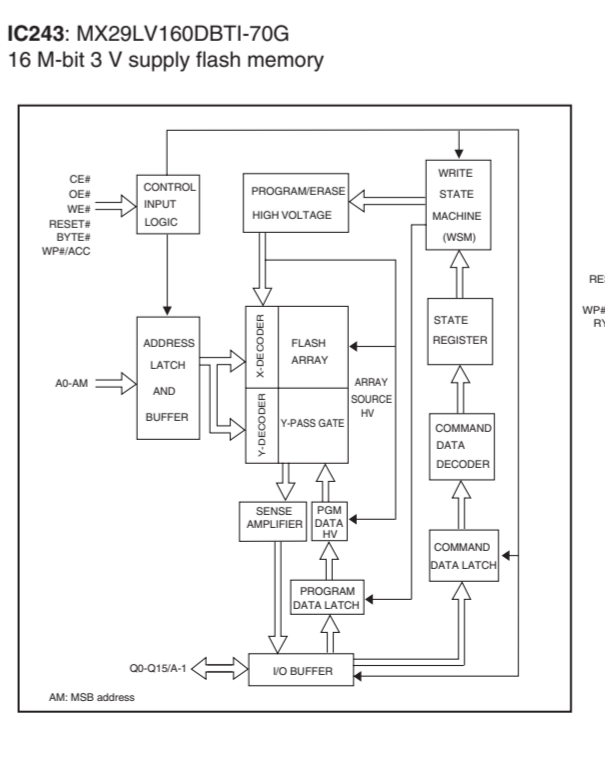
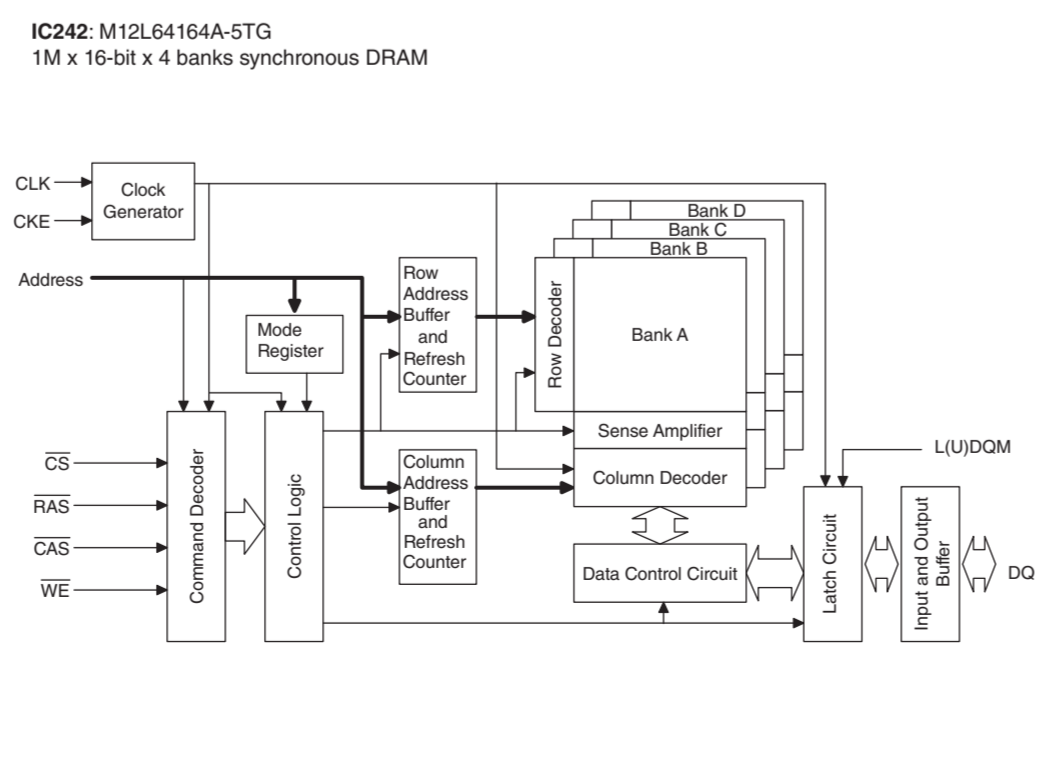
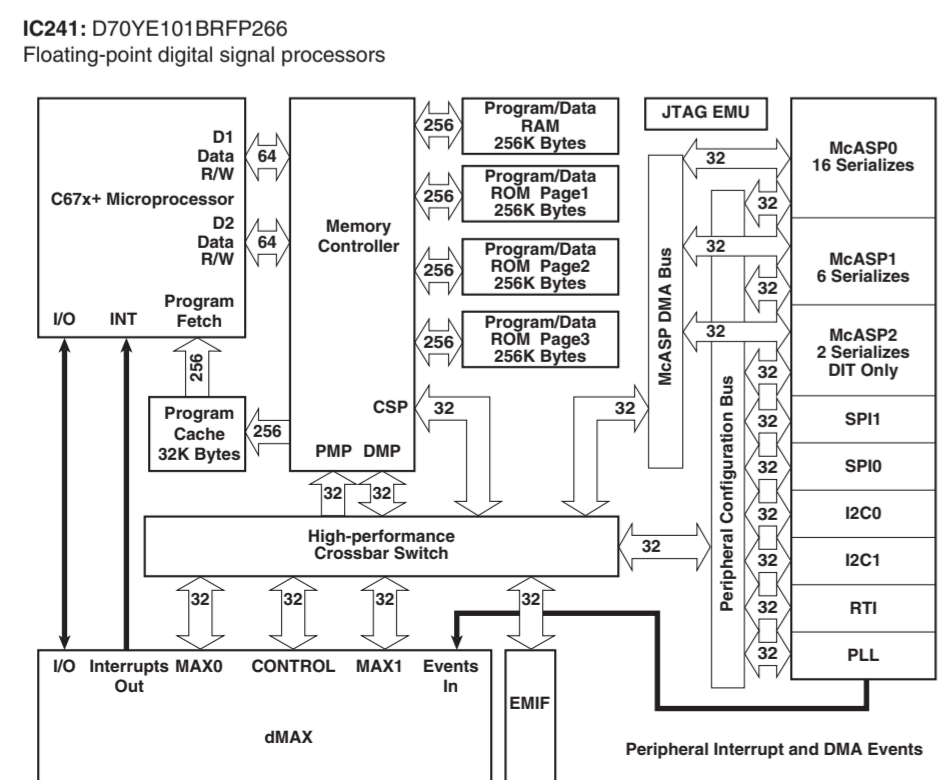
DIGITAL 3/5

1
2
3
4
5
6
7
8
9
10



No replacement part available.
サービス部品供給なし

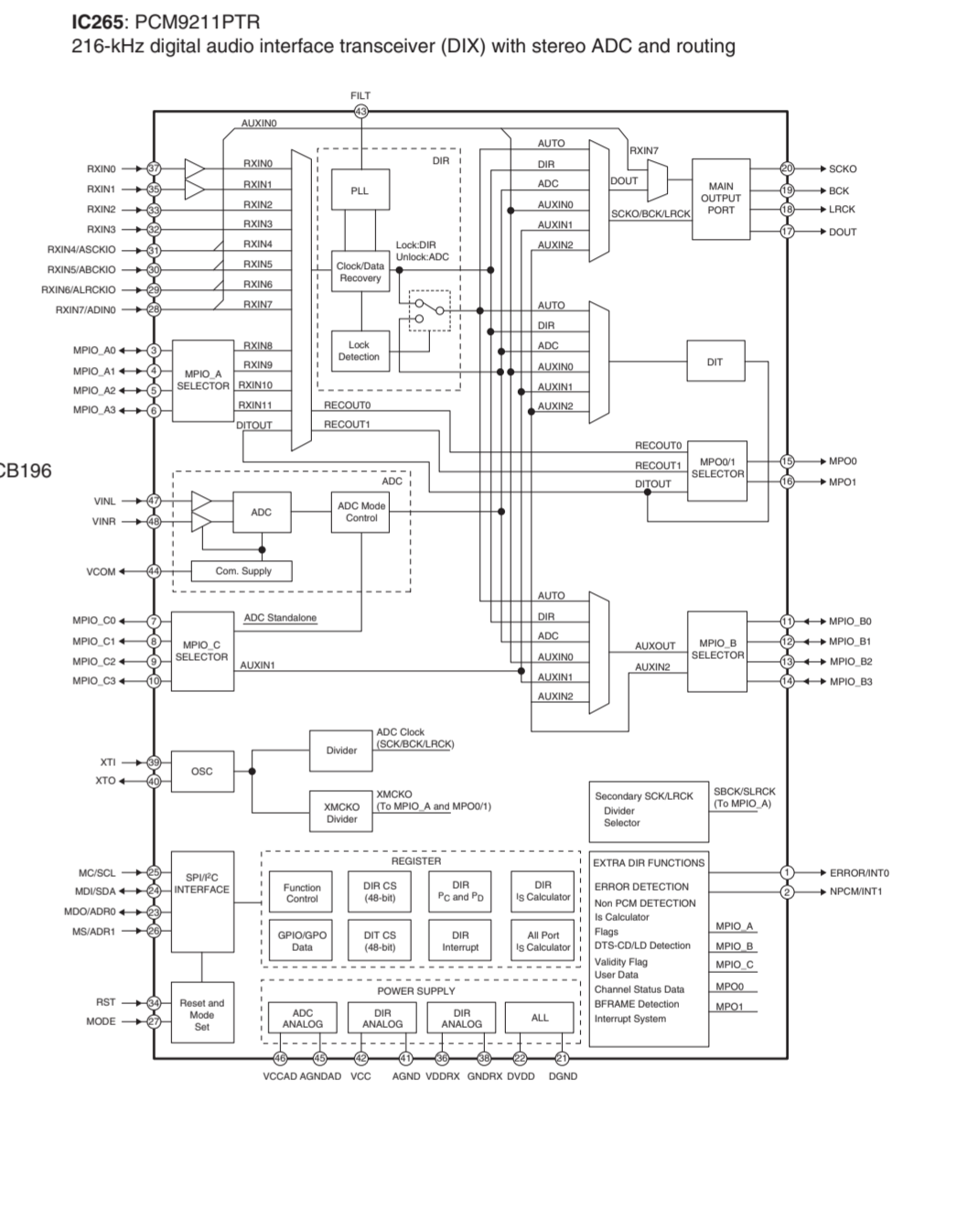
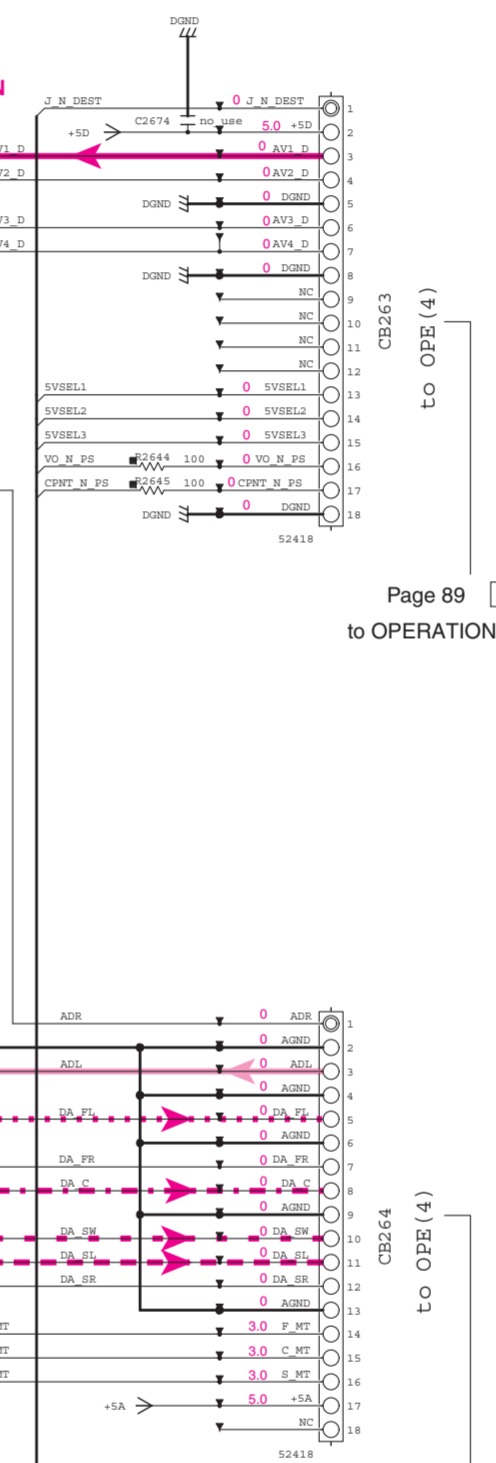
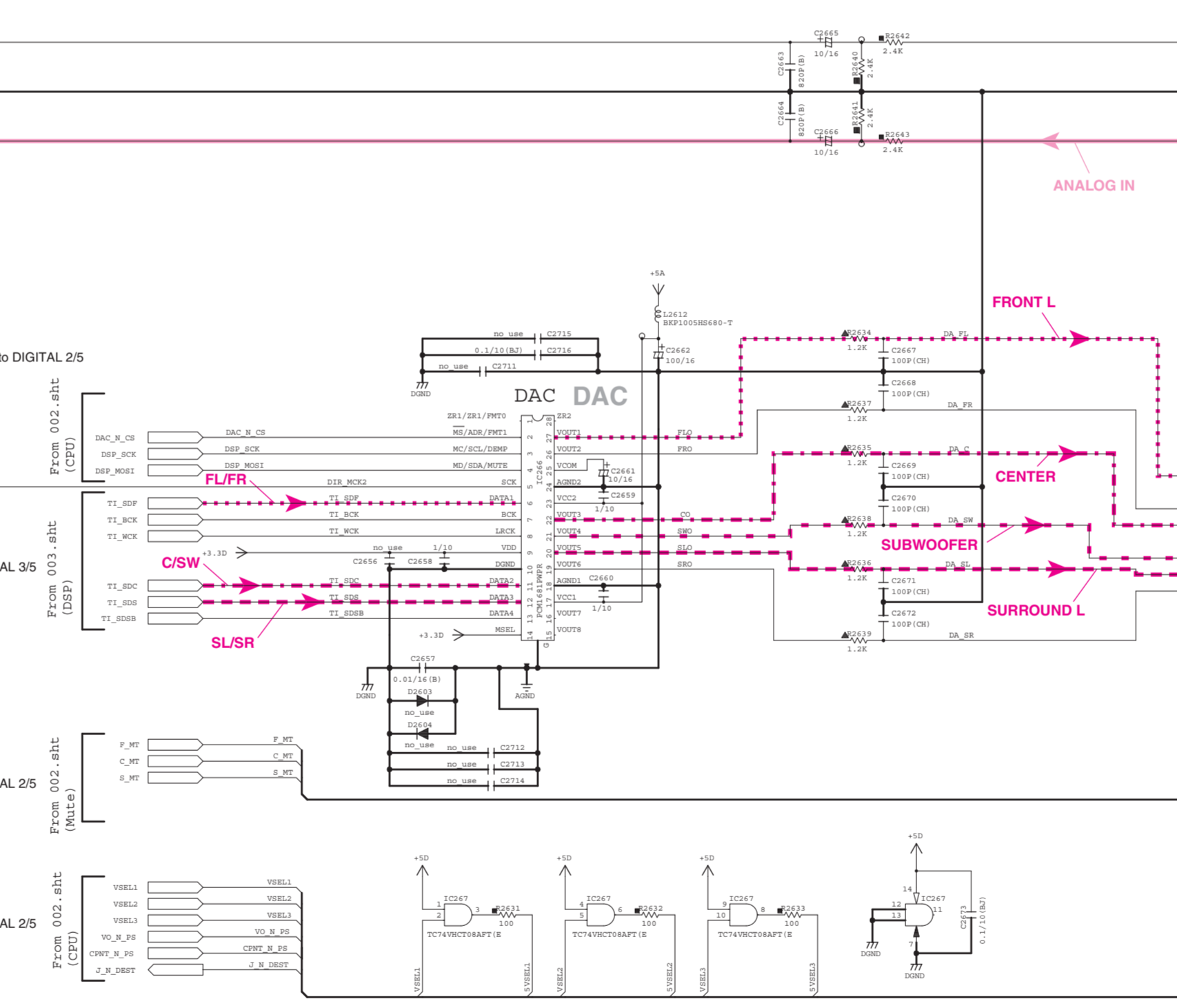
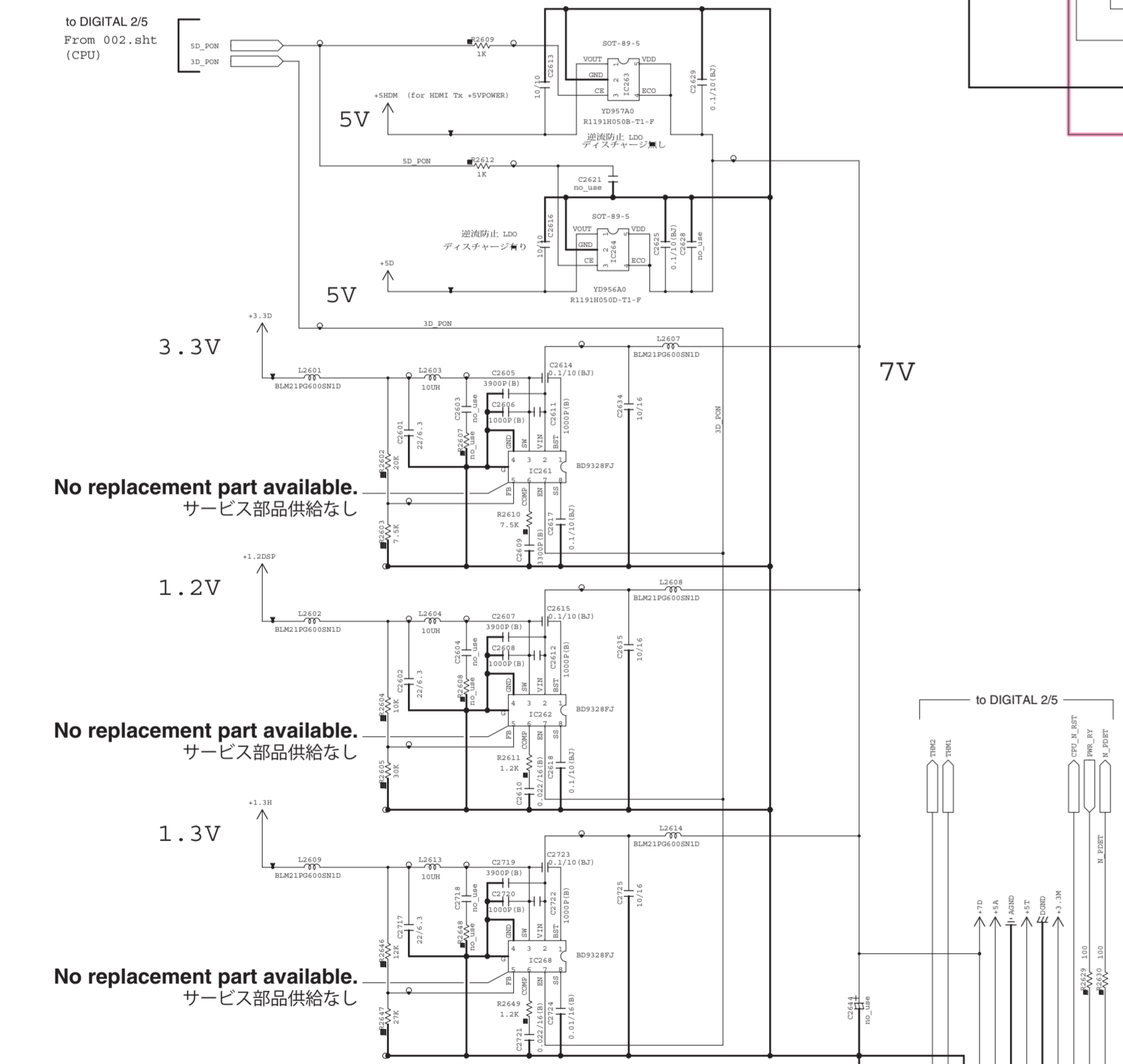
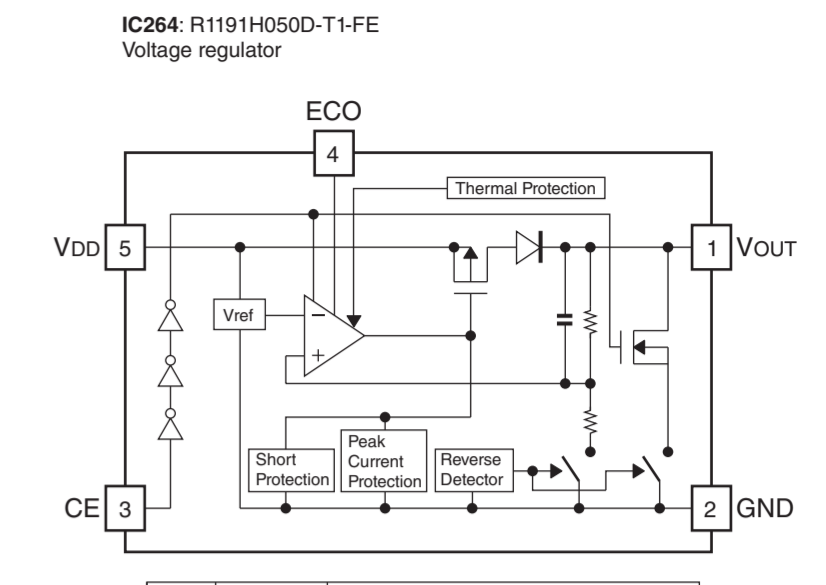
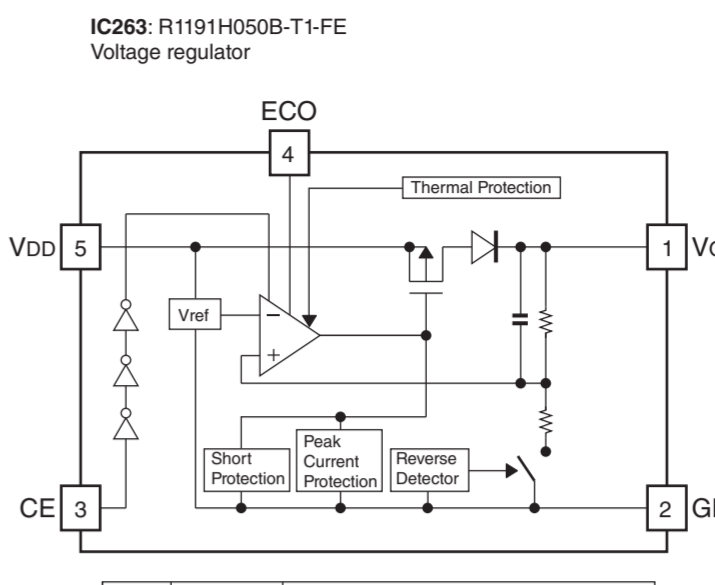
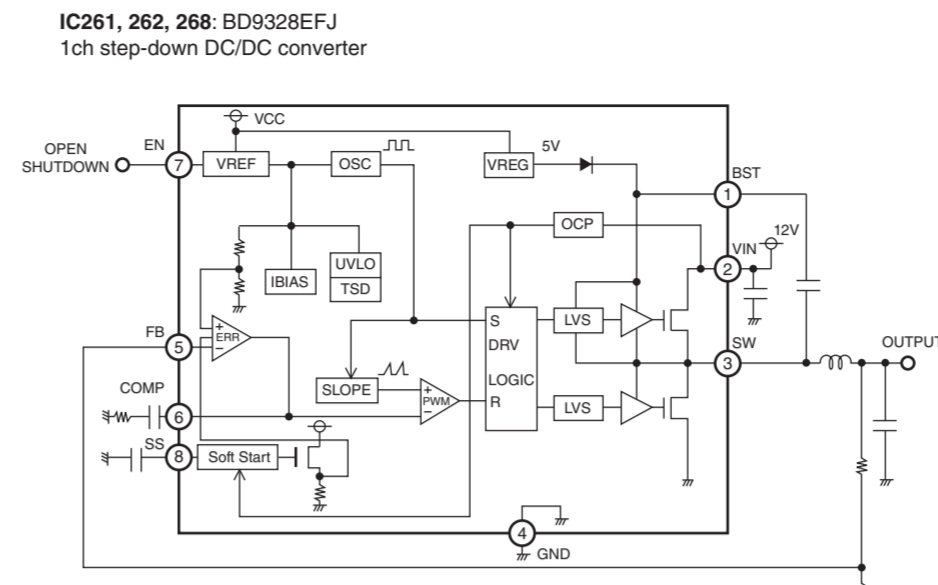
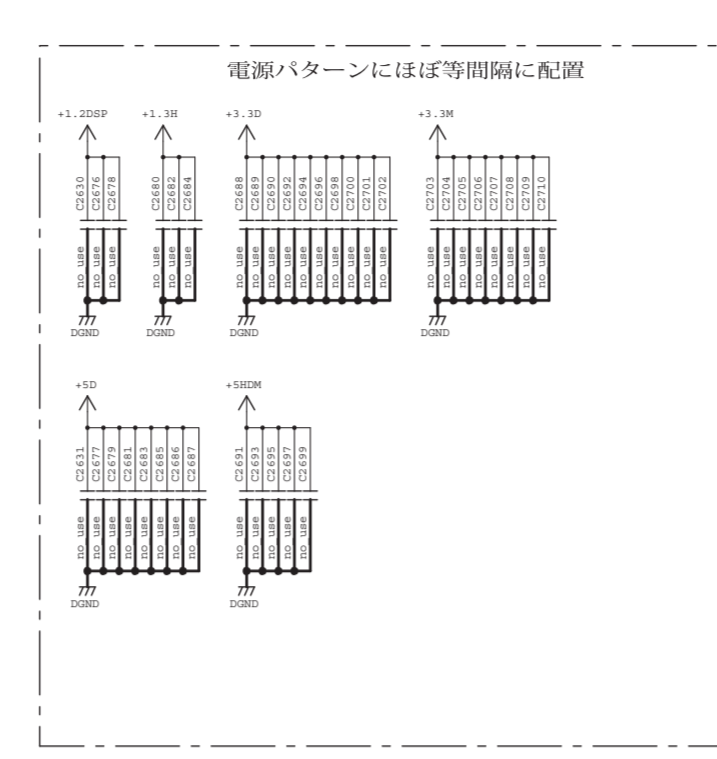
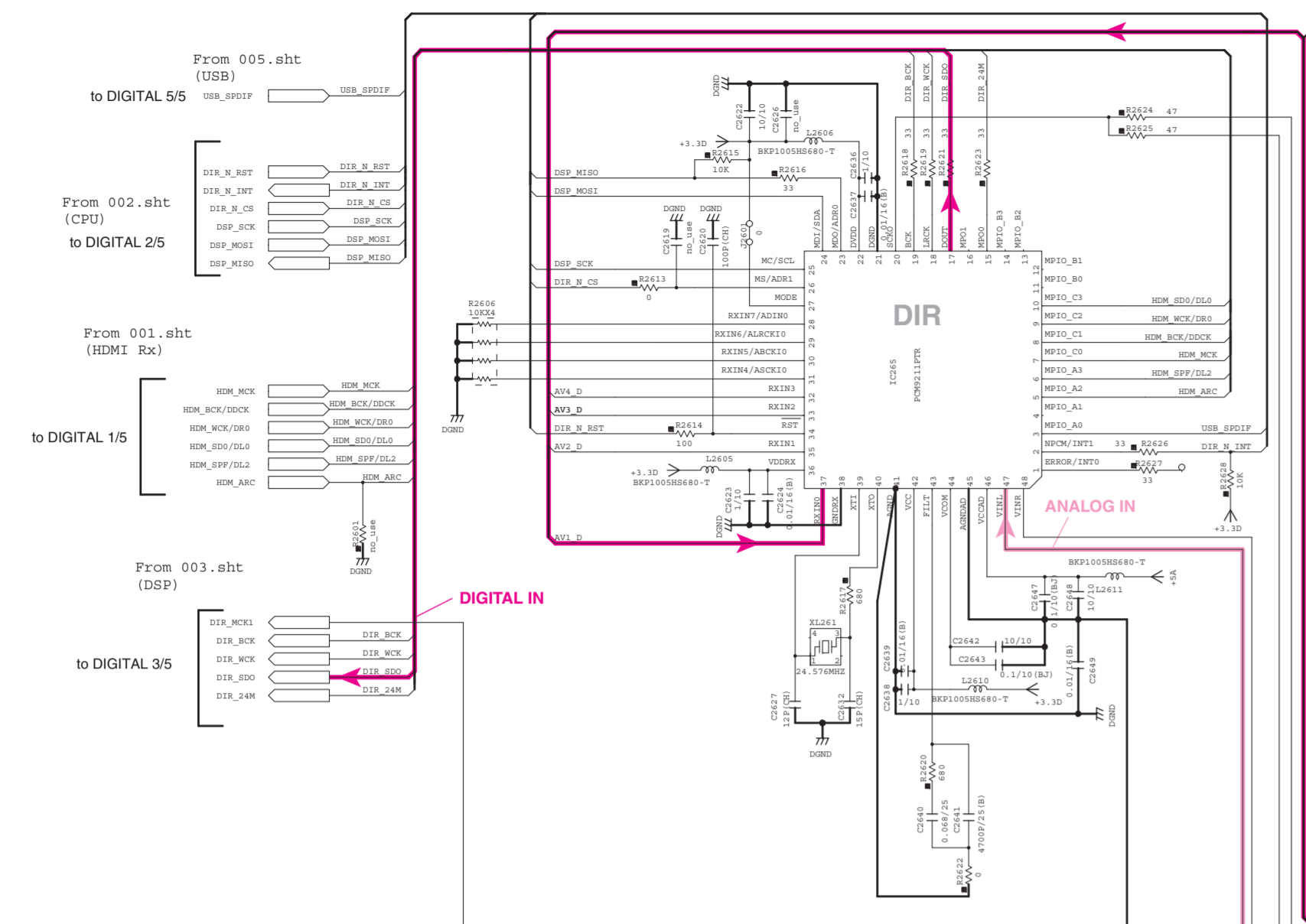
DIGITAL3 : DSP



★ Components having special characteristics are marked △ and must be replaced with parts having specifications equal to those originally installed.
 ★ Schematic diagram is subject to change without notice.

● △印のある部品は、安全性確保部品を示しています。部品の交換が必要な場合、パーツリストに記載されている部品を使用してください。
 ● 本回路図は標準回路図です。改良のため予告なく変更することがあります。

DIGITAL 4/5



REMARKS	PARTS NAME	REMARKS	PARTS NAME
NO MARK	ELECTROLYTIC CAPACITOR	NO MARK	CARBON FILM RESISTOR (P=5)
NO MARK	TANTALUM CAPACITOR	NO MARK	CARBON FILM RESISTOR (P=10)
NO MARK	CERAMIC CAPACITOR	NO MARK	METAL OXIDE FILM RESISTOR
NO MARK	CERAMIC TUBULAR CAPACITOR	NO MARK	METAL FILM RESISTOR
NO MARK	POLYESTER FILM CAPACITOR	NO MARK	METAL PLATE RESISTOR
NO MARK	POLYSTYRENE FILM CAPACITOR	NO MARK	FIRE PROOF CARBON FILM RESISTOR
NO MARK	MICA CAPACITOR	NO MARK	METAL FILM RESISTOR
NO MARK	POLYPROPYLENE FILM CAPACITOR	NO MARK	METAL PLATE RESISTOR
NO MARK	SEMICONDUCTIVE CERAMIC CAPACITOR	NO MARK	FIRE PROOF CARBON FILM RESISTOR
NO MARK	POLYPHENYLENE SULFIDE FILM CAPACITOR	NO MARK	CEMENT MOLDED RESISTOR
		NO MARK	SEMI VARIABLE RESISTOR
		NO MARK	CHIP RESISTOR

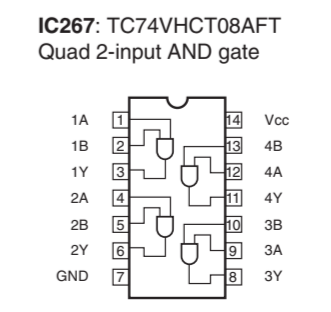
DIGITAL4: DIR&DA&POWER

DIGITAL4: DIR & POWER

REMARKS	PARTS NAME	REMARKS	PARTS NAME
NO MARK	CARBON FILM RESISTOR (P=5)	NO MARK	ELECTROLYTIC CAPACITOR
NO MARK	CARBON FILM RESISTOR (P=10)	NO MARK	TANTALUM CAPACITOR
NO MARK	METAL OXIDE FILM RESISTOR	NO MARK	CERAMIC CAPACITOR
NO MARK	METAL FILM RESISTOR	NO MARK	CERAMIC TUBULAR CAPACITOR
NO MARK	METAL PLATE RESISTOR	NO MARK	POLYESTER FILM CAPACITOR
NO MARK	FIRE PROOF CARBON FILM RESISTOR	NO MARK	POLYSTYRENE FILM CAPACITOR
NO MARK	METAL FILM RESISTOR	NO MARK	POLYPROPYLENE FILM CAPACITOR
NO MARK	METAL PLATE RESISTOR	NO MARK	POLYPHENYLENE FILM CAPACITOR
NO MARK	FIRE PROOF CARBON FILM RESISTOR	NO MARK	SEMICONDUCTIVE CERAMIC CAPACITOR
NO MARK	CEMENT MOLDED RESISTOR		
NO MARK	SEMI VARIABLE RESISTOR		
NO MARK	CHIP RESISTOR		

NOTICE (model)

(J)..... JAPAN
 (U)..... U.S.A.
 (C)..... CANADA
 (R)..... GENERAL
 (T)..... CHINA
 (K)..... KOREA
 (A)..... AUSTRALIA
 (B)..... BRITISH
 (G)..... EUROPE
 (L)..... SINGAPORE
 (S)..... SOUTH EUROPE
 (V)..... TAIWAN
 (F)..... RUSSIAN
 (P)..... LATIN AMERICA
 (S)..... BRAZIL
 (H)..... THAI



* All voltages are measured with a 10MΩ DC electronic voltmeter.
 * Components having special characteristics are marked Δ and must be replaced with parts having specifications equal to those originally installed.
 * Schematic diagram is subject to change without notice.

● 電圧は、内部抵抗 10MΩ の電圧計で測定したものです。
 ● Δ印のある部品は、安全性確保部品を示しています。部品の交換が必要な場合、パーツリストに記載されている部品を使用してください。
 ● 本回路図は標準回路図です。改良のため予告なく変更することがあります。

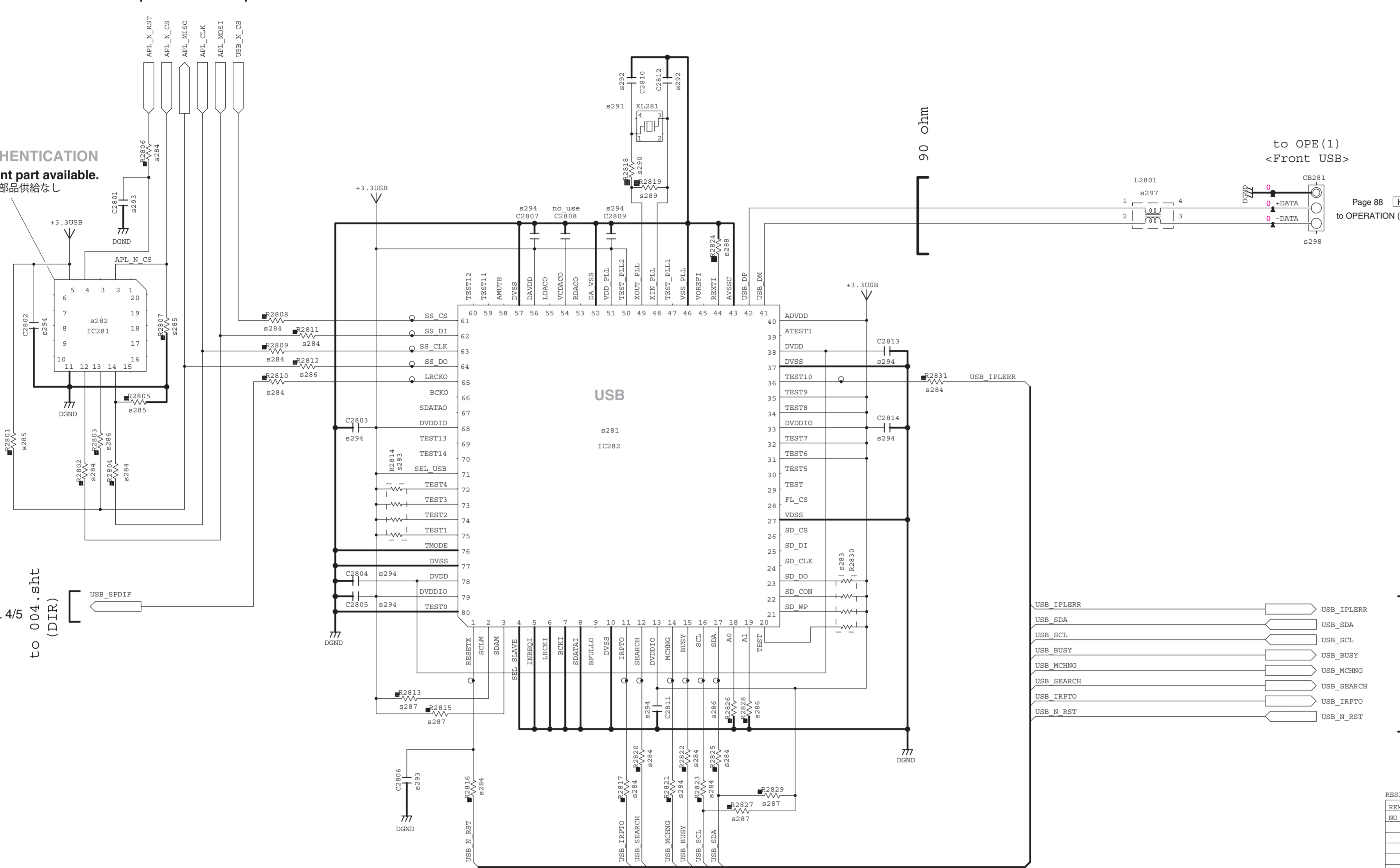
DIGITAL 5/5

U, C, R, K, A, B, G, F, L, S, H, J models

to DIGITAL 2/5
to 002.sht
(u-com)

iPod AUTHENTICATION
No replacement part available.
サービス部品供給なし

to DIGITAL 4/5
to 004.sht
(DIR)



Destination Part List

#XX	LOC	JUCRKABGLFS	T
#281	IC282	YB099A0 BU94607ARKV-E2	X
#282	IC281	YA719A0 MFI341S2164	X
#283	R2830 R2814	WH21180 10KX4	X
#284	R2831 R2810 R2808 R2809 R2804 R2802 R2825 R2811 R2817 R2823 R2816 R2822 R2820 R2821 R2806	RD45510 100	X
#285	R2801 R2805 R2807	RD45710 10K	X
#286	R2812 R2826 R2803 R2828	RD45000 0	X
#287	R2829 R2815 R2813 R2827	RD45622 2.2K	X
#288	R2824	RF45712 12K	X
#289	R2819	RF45910 1M	X
#290	R2818	RD35533 330	X
#291	XL281	WM13520 16.9344MHZ	X
#292	C2810 C2812	US06070 7P (CH)	X
#293	C2801 C2806	US66230 100P (CH)	X
#294	C2802 C2803 C2809 C2804 C2814 C2805 C2811 C2807 C2813	US62510 0.1/10 (B3)	X
#295	C2815	WP88200 10/6.3	X
#296	L2802	WK0950 BKP1005HS680-T	X
#297	L2801	WY22130 EK24CB300U	X
#298	CB281	VB38990 PHI	X

Page 88 [K9]
to OPERATION (1)_W1004

to 002.sht
(u-com)
to DIGITAL 2/5

RESISTOR

REMARKS	PARTS	NAME
NO MARK	CARBON FILM RESISTOR (P=5)	
☑	CARBON FILM RESISTOR (P=10)	
△	METAL OXIDE FILM RESISTOR	
▲	METAL FILM RESISTOR	
☒	METAL PLATE RESISTOR	
☒	FIRE PROOF CARBON FILM RESISTOR	
□	CEMENT MOLDED RESISTOR	
⊗	SEM VARIABLE RESISTOR	
■	CHIP RESISTOR	

NOTICE (model)

(J) JAPAN
(U) U.S.A
(C) CANADA
(R) GENERAL
(F) CHINA
(K) KOREA
(A) AUSTRALIA
(B) BRITISH
(G) EUROPE
(L) SINGAPORE
(E) SOUTH EUROPE
(V) TAIWAN
(P) RUSSIAN
(S) LATIN AMERICA
(S) BRAZIL
(H) THAI

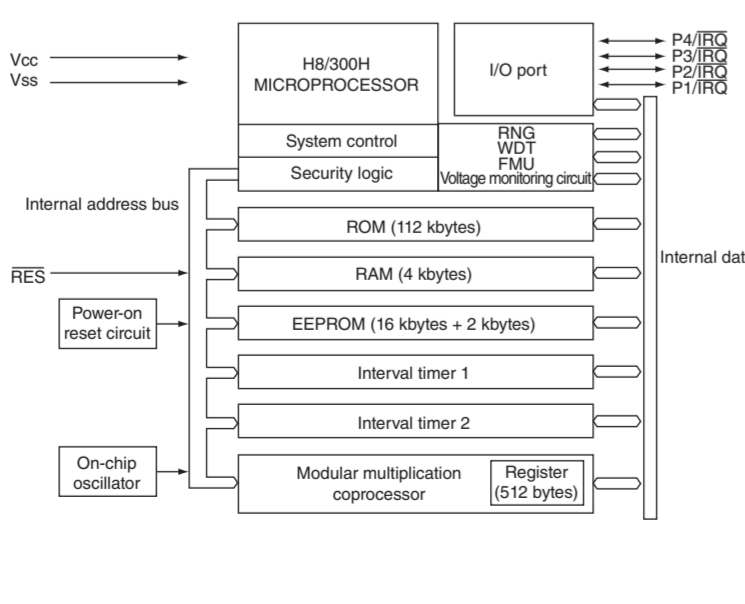
CAPACITOR

REMARKS	PARTS	NAME
NO MARK	ELECTROLYTIC CAPACITOR	
☒	TANTALUM CAPACITOR	
NO MARK	CERAMIC CAPACITOR	
⊙	CERAMIC TUBULAR CAPACITOR	
○	POLYESTER FILM CAPACITOR	
○	POLYSTYRENE FILM CAPACITOR	
⊖	MICA CAPACITOR	
○	POLYPROPYLENE FILM CAPACITOR	
⊙	SEMICONDUCTIVE CERAMIC CAPACITOR	

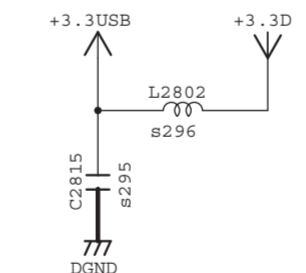
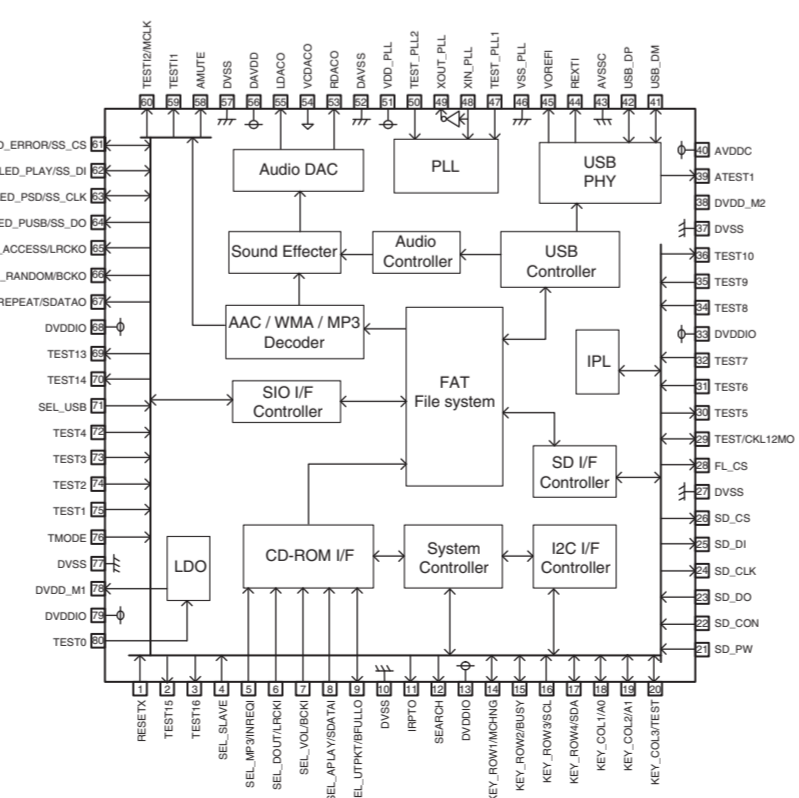
IC/CB/XL:281-
OHTER :2801-

DIGITAL5:USB

IC281: MFI341S2162
IC digital



IC282: BU94607ARKV-E2
USB host WAV/AAC/WMA/MP3 decoder LSI



* All voltages are measured with a 10MΩV DC electronic voltmeter.
* Components having special characteristics are marked Δ and must be replaced with parts having specifications equal to those originally installed.
* Schematic diagram is subject to change without notice.

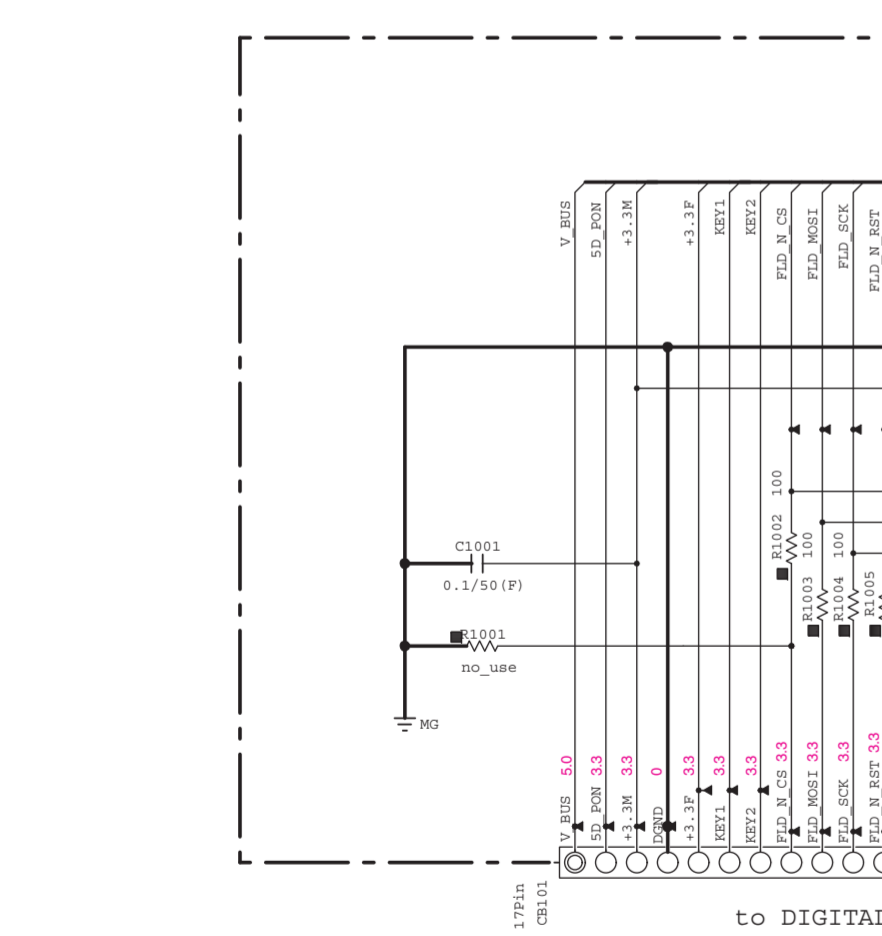
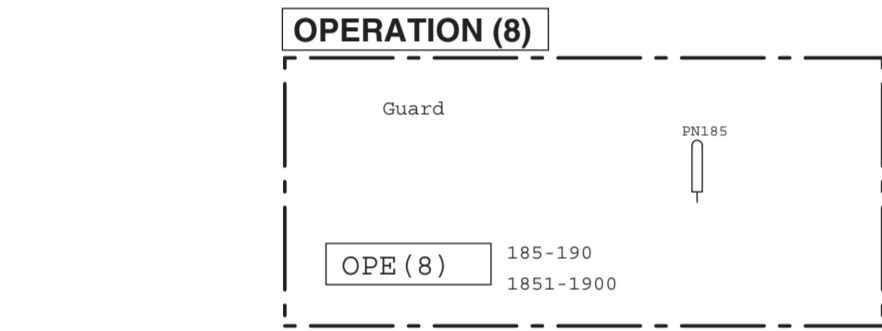
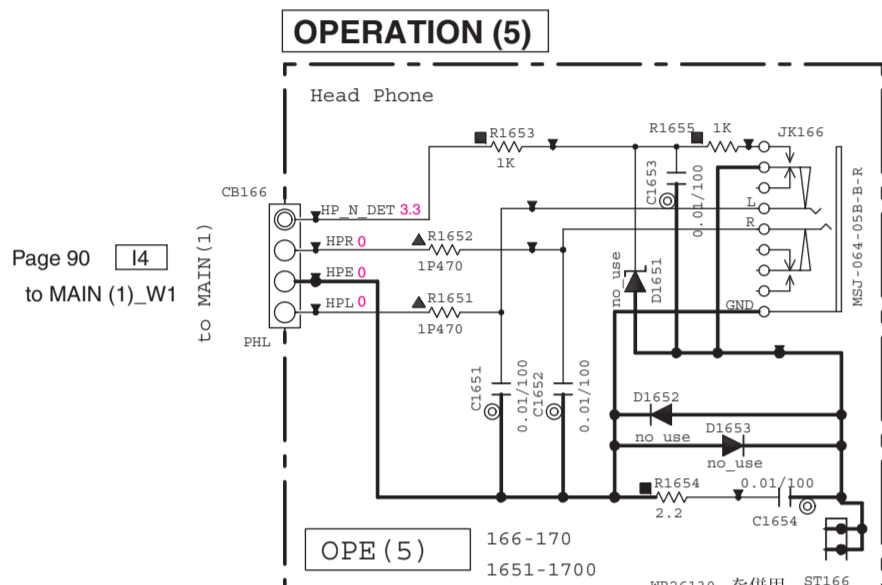
● 電圧は、内部抵抗 10MΩの電圧計で測定したものです。
● Δ印のある部品は、安全性確保部品を示しています。部品の交換が必要な場合、パーツリストに記載されている部品を使用してください。
● 本回路図は標準回路図です。改良のため予告なく変更することがあります。

OPERATION 1/2

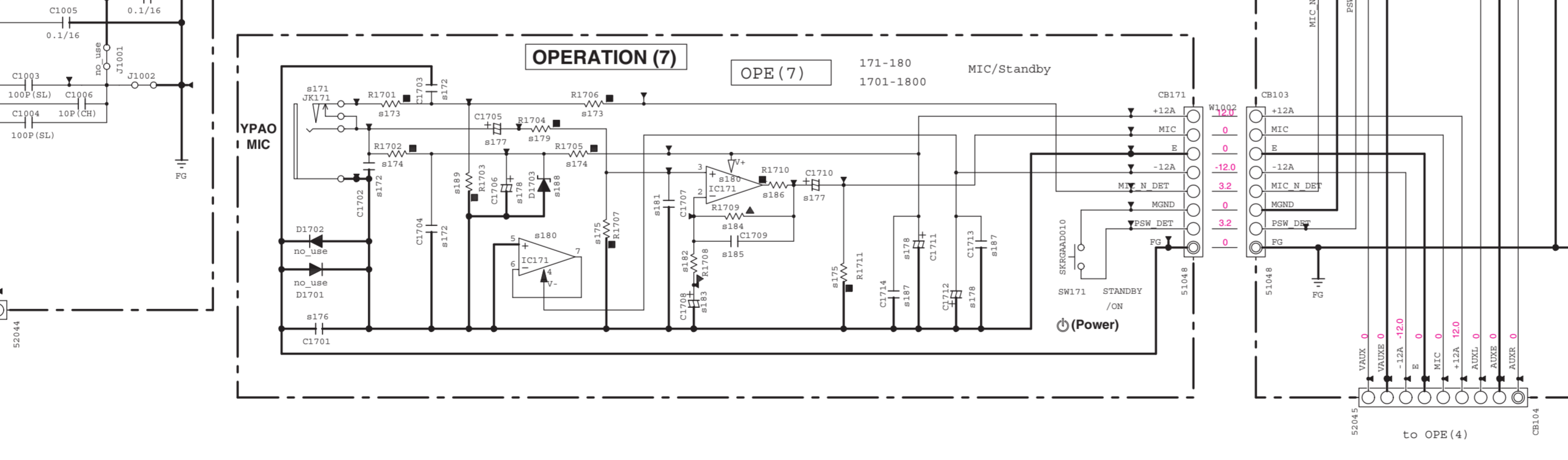
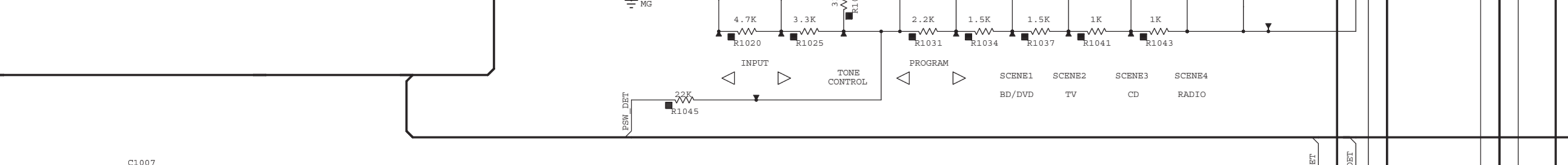
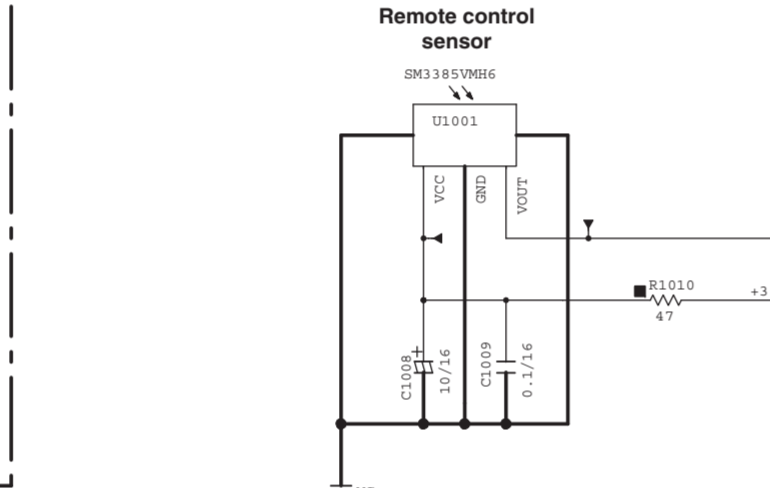
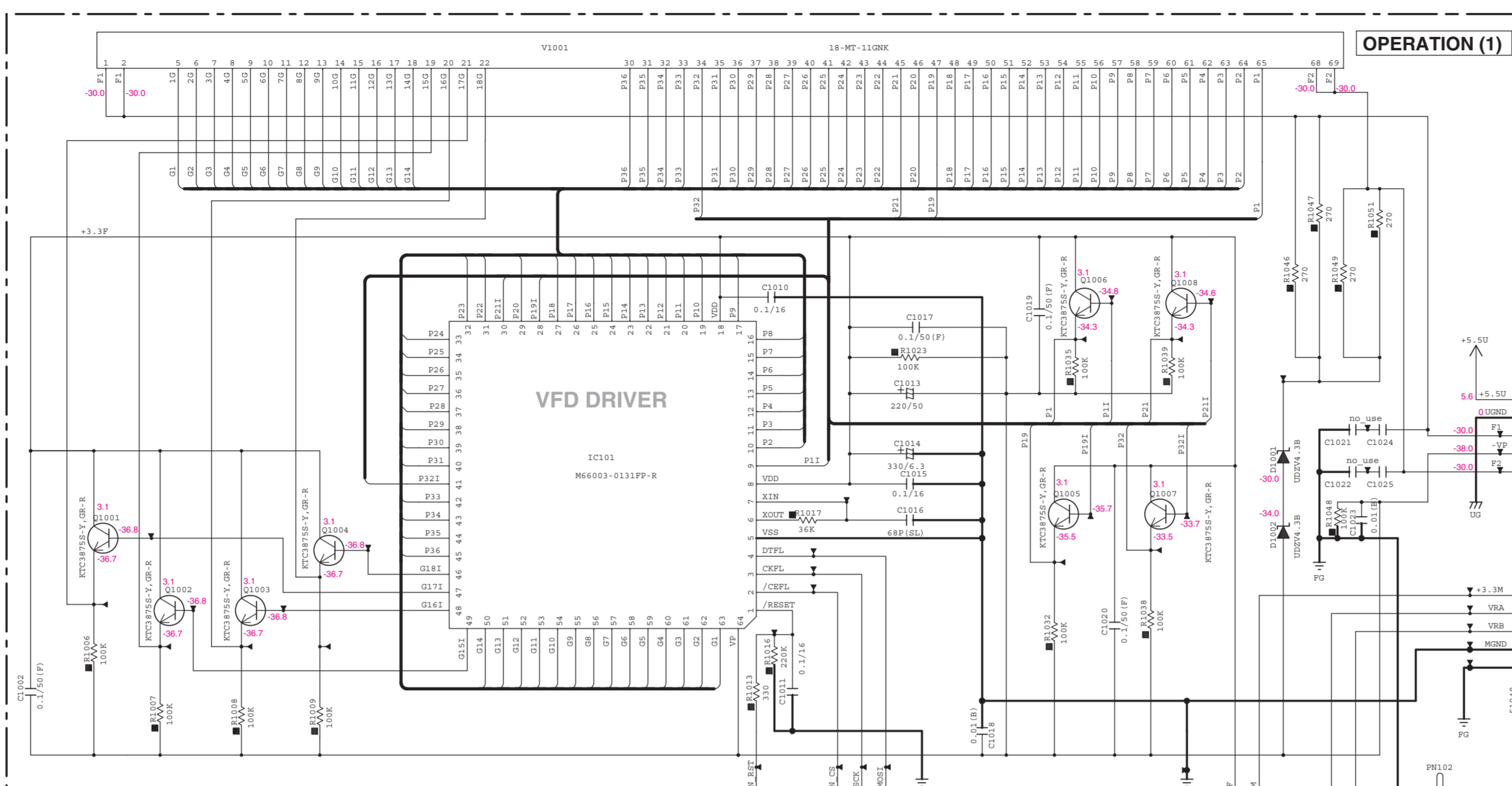
REMARKS	PARTS NAME
NO MARK	CARBON FILM RESISTOR (P=5)
△	CARBON FILM RESISTOR (P=10)
▲	METAL OXIDE FILM RESISTOR
□	METAL FILM RESISTOR
◇	METAL PLATE RESISTOR
■	FIRE PROOF CARBON FILM RESISTOR
○	CEMENT MOLDED RESISTOR
◎	SEMI VARIABLE RESISTOR
⊙	CHIP RESISTOR

REMARKS	PARTS NAME
NO MARK	ELECTROLYTIC CAPACITOR
⊖	TANTALUM CAPACITOR
⊕	CERAMIC CAPACITOR
⊗	CERAMIC TUBULAR CAPACITOR
⊙	POLYESTER FILM CAPACITOR
○	POLYSTYRENE FILM CAPACITOR
○	MICA CAPACITOR
○	POLYPROPYLENE FILM CAPACITOR
○	SEMICONDUCTIVE CERAMIC CAPACITOR
○	POLYPHENYLENE SULFIDE FILM CAPACITOR

NOTICE (model)
 (J)..... JAPAN
 (U)..... U.S.A
 (C)..... CANADA
 (R)..... GENERAL
 (T)..... CHINA
 (K)..... KOREA
 (A)..... AUSTRALIA
 (B)..... BRITISH
 (L)..... EUROPE
 (S)..... SINGAPORE
 (E)..... SOUTH EUROPE
 (V)..... TAIWAN
 (F)..... RUSSIAN
 (P)..... LATIN AMERICA
 (S)..... BRAZIL
 (H)..... HAWAII



Page 84 [D2] to DIGITAL_CB221

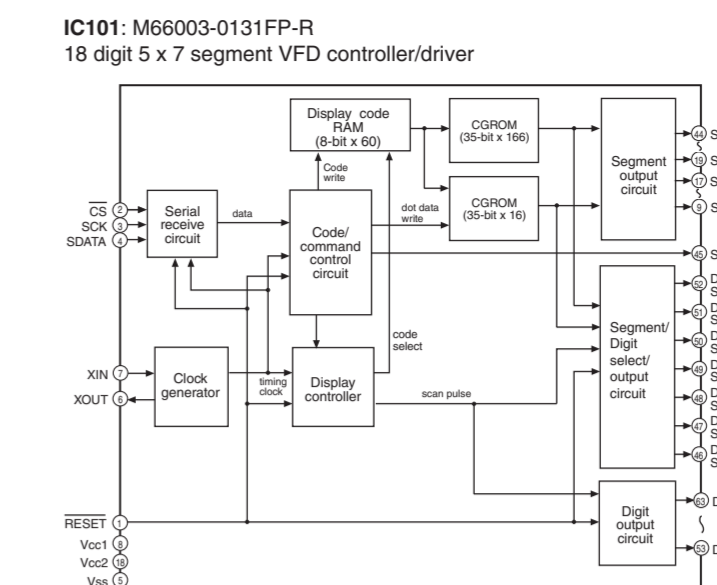


Key detection for A/D port
 Key input (A/D) pull-up resistance 10 k-ohms

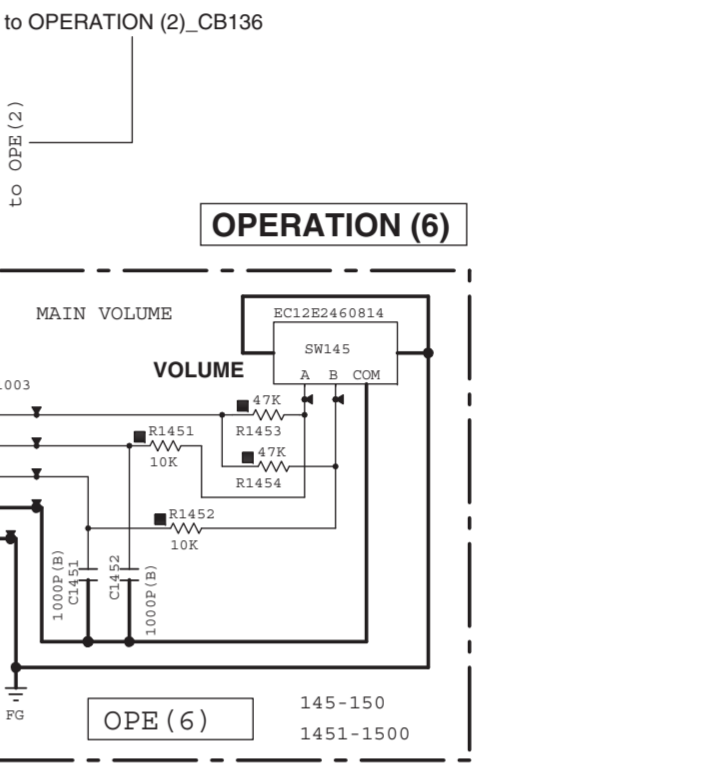
	0 Ω	+ 1.0 kΩ	+ 1.5 kΩ	+ 1.8 kΩ	+ 2.2 kΩ	+ 3.3 kΩ	+ 4.7 kΩ	+ 8.2 kΩ	+ 10 kΩ
Detected voltage value at 125 pin	0 - 0.15 V	0.15 - 0.48 V	0.49 - 0.82 V	0.83 - 1.14 V	1.15 - 1.46 V	1.47 - 1.79 V	1.80 - 2.12 V	2.13 - 2.40 V	2.41 - 2.91 V
A/D value (3.3V=255)	0 - 11	12 - 37	38 - 64	65 - 88	89 - 113	114 - 139	140 - 164	165 - 186	187 - 226
Key name (KEY1: 125 pin)	STRAIGHT	TUNING	TUNING	AM	FM	PRESET	PRESET	MEMORY	INFO

	0 Ω	+ 1.0 kΩ	+ 1.0 kΩ	+ 1.5 kΩ	+ 1.5 kΩ	+ 2.2 kΩ	+ 3.3 kΩ	+ 4.7 kΩ	(22 kΩ + 33 kΩ)	+ 22 kΩ	+ 33 kΩ
Detected voltage value at 124 pin	0 - 0.15 V	0.15 - 0.42 V	0.43 - 0.70 V	0.71 - 0.97 V	0.98 - 1.24 V	1.25 - 1.53 V	1.54 - 1.84 V	1.84 - 2.10 V	2.11 - 2.33 V	2.34 - 2.54 V	2.55 - 2.71 V
A/D value (3.3V=255)	0 - 11	12 - 32	33 - 54	55 - 75	76 - 96	97 - 119	12 - 142	143 - 163	164 - 181	182 - 197	198 - 229
Key name (KEY2: 124 pin)	SCENE RADIO	SCENE CD	SCENE TV	SCENE BD/DVD	PROGRAM	PROGRAM	INPUT	INPUT	-	⊕(Power)	⊙(Power)

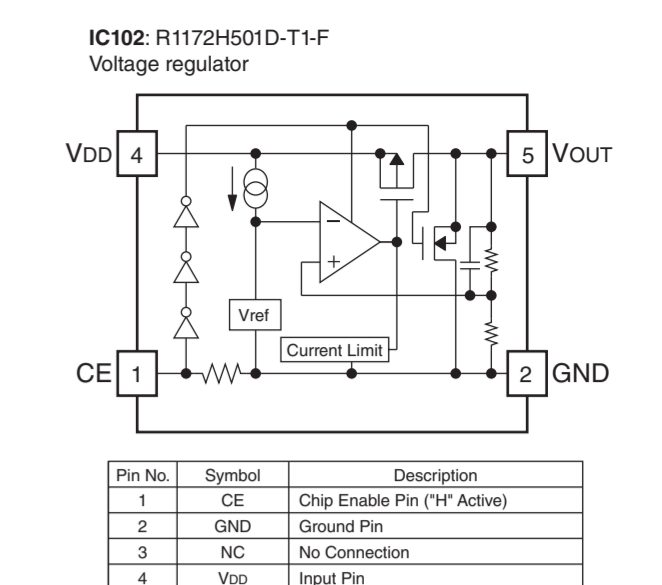
● 電圧は、内部抵抗 10MΩの電圧計で測定したものです。
 ● △印のある部品は、安全性確保部品を示しています。部品の交換が必要な場合、パーツリストに記載されている部品を使用してください。
 ● 本回路図は標準回路図です。改良のため予告なく変更することがあります。



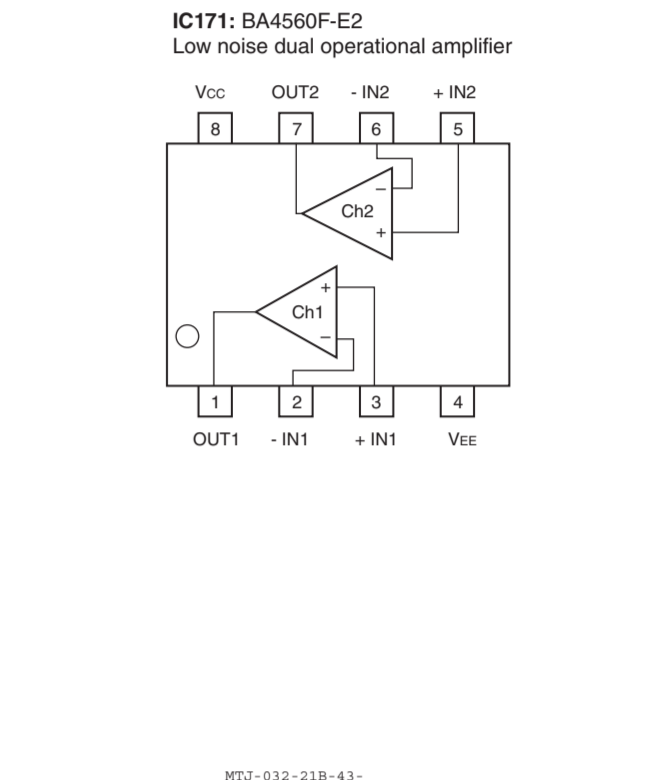
Page 89 [F10] to OPERATION (2)_CB136



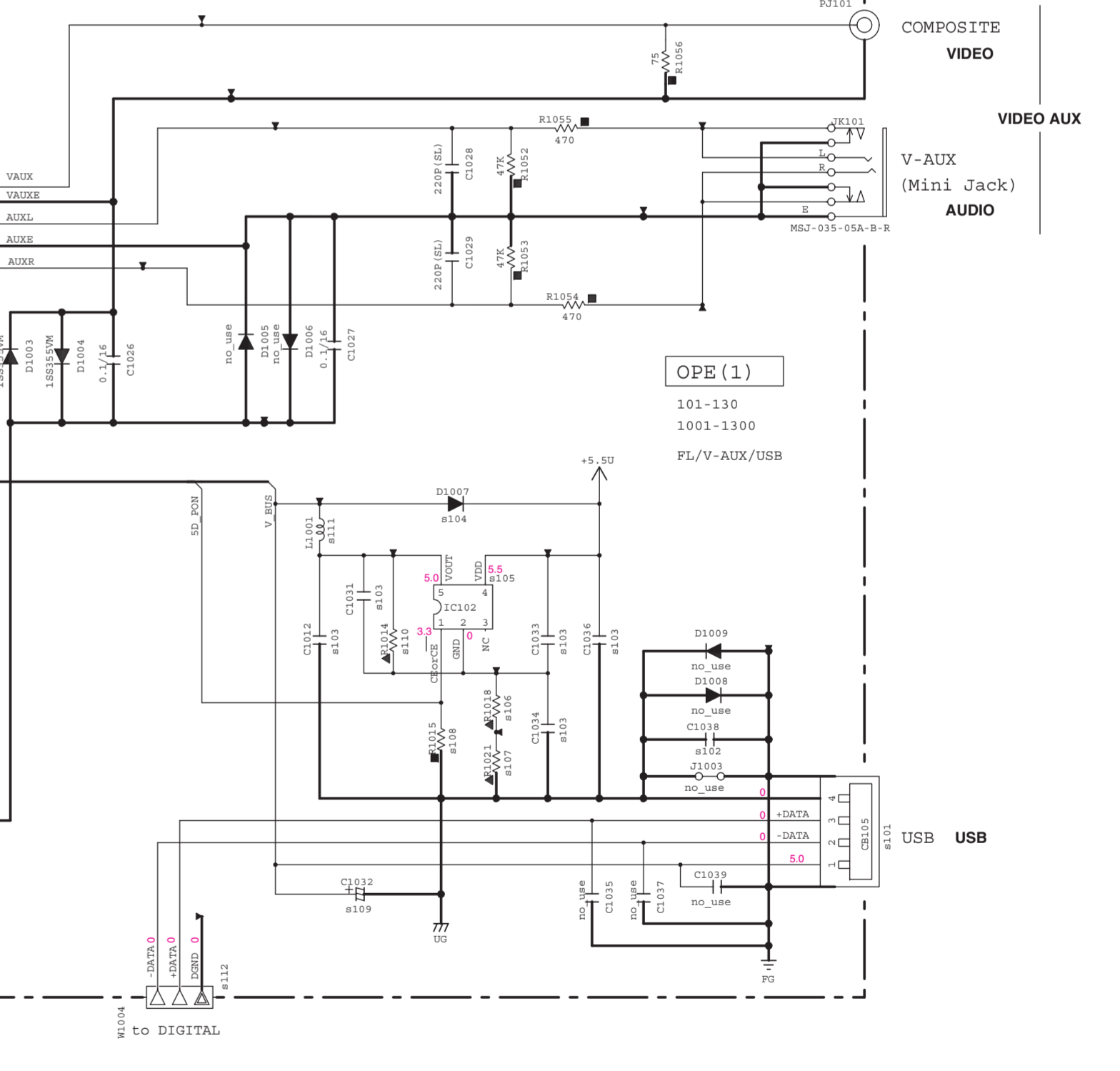
Page 87 [J3] to DIGITAL_CB281 (U, C, R, K, A, B, G, F, L, S, H, J models)



Pin No.	Symbol	Chip Description
1	CE	Chip Enable Pin (* Active)
2	GND	Ground Pin
3	NC	No Connection
4	Vin	Input Pin
5	Vout	Output Pin

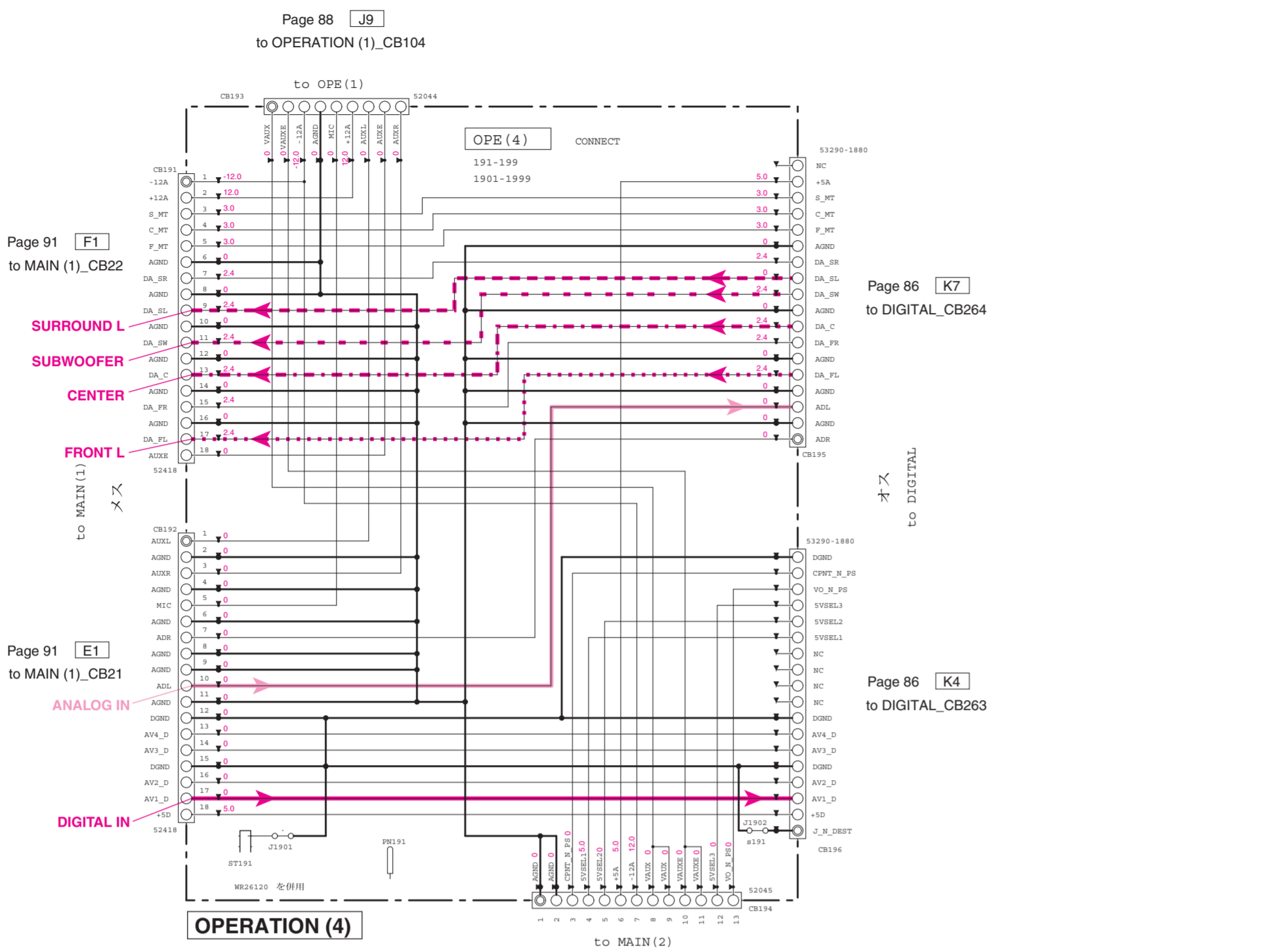


Page 87 [J3] to DIGITAL_CB281



Page 89 [C2] to OPERATION (4)_CB193

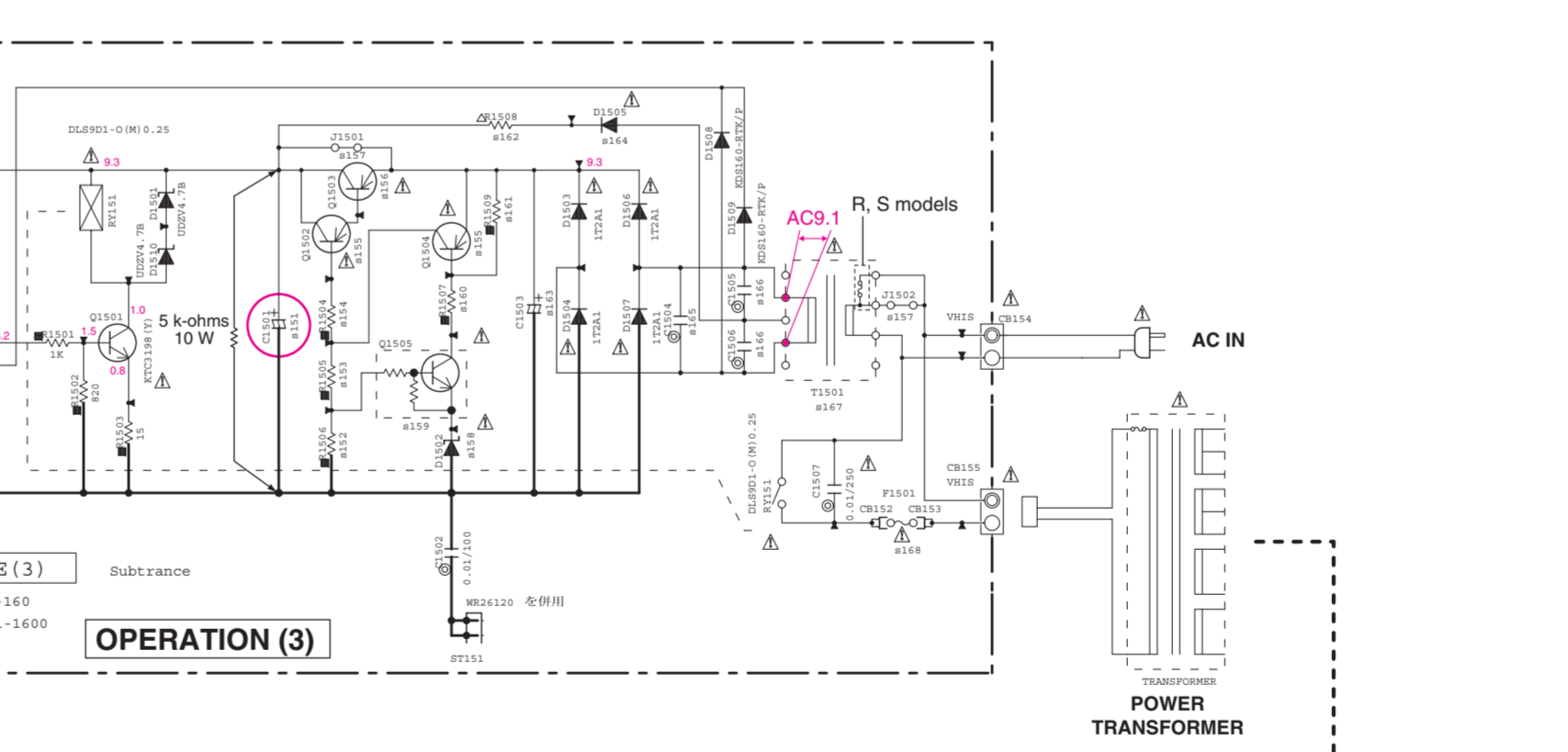
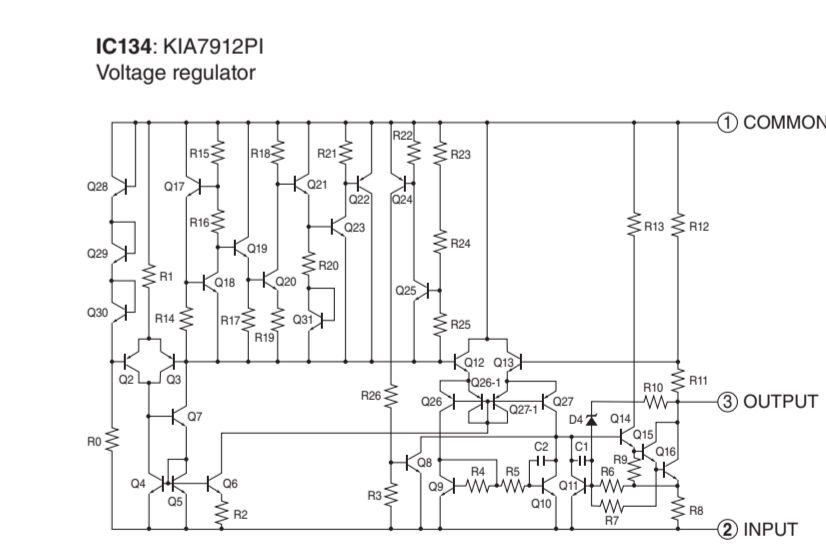
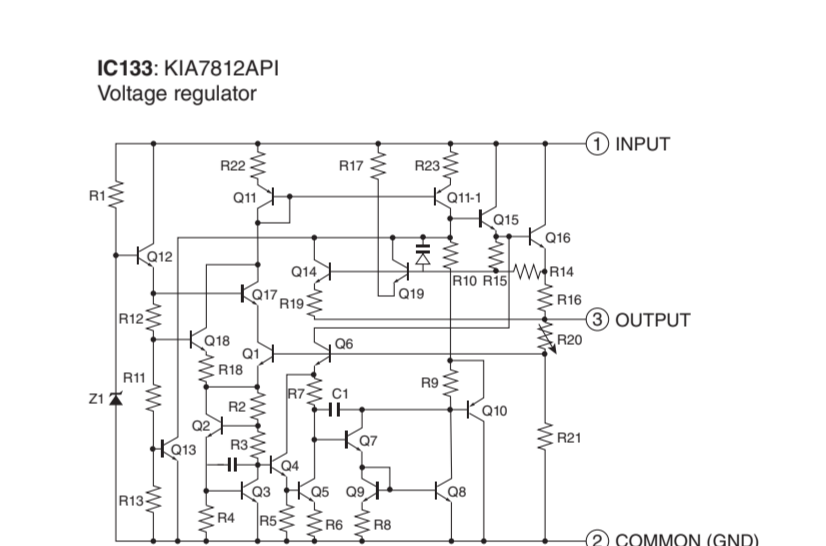
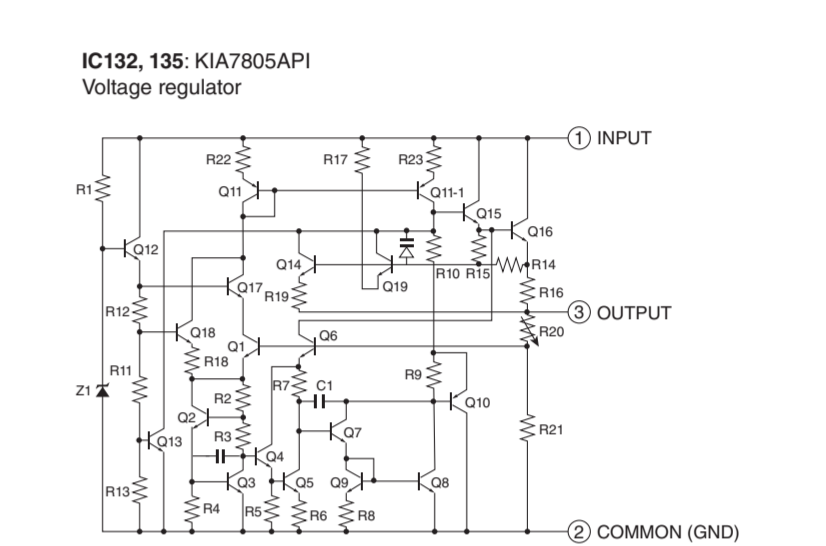
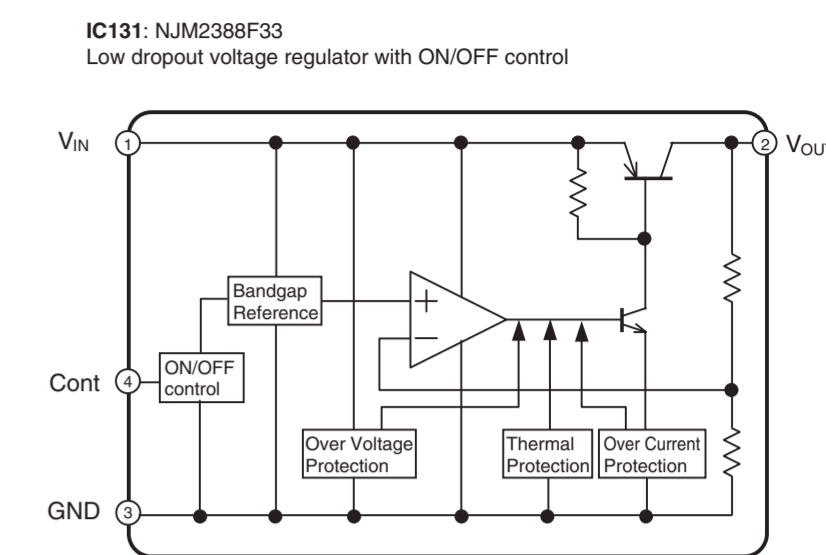
OPERATION 2/2



Destination Part List

REF	LOC	J	UC	RS	KA00LFP	T
#101	CB105	NO68020	NO68020	NO68020	NO68020	X
#102	CB104	NO68010	NO68010	NO68010	NO68010	X
#103	CB102	NO75810	NO75810	NO75810	NO75810	X
#104	DI007	NO79300	NO79300	NO79300	NO79300	X
#105	DI002	VA255A0	VA255A0	VA255A0	VA255A0	X
#106	DI018	RI170901D-T1-F	RI170901D-T1-F	RI170901D-T1-F	RI170901D-T1-F	X
#107	RI021	RF31410	RF31410	RF31410	RF31410	X
#108	RI022	RF31410	RF31410	RF31410	RF31410	X
#109	CB102	UM9910	UM9910	UM9910	UM9910	X
#110	RI014	RF31410	RF31410	RF31410	RF31410	X
#111	SA001	SA4280	SA4280	SA4280	SA4280	X
#112	SA004	SA4280	SA4280	SA4280	SA4280	X
#113	IC137	X	VA103A0	X	X	X
#114	IC139	X	VA103A0	X	X	X
#115	RI104	X	X	X	X	RD36410
#116	DI002	X	X	X	X	WD4330
#117	RI107	X	X	X	X	RD36710
#118	DI007	NO4970	NO4970	NO4970	NO4970	X
#119	DI007	NO4970	NO4970	NO4970	NO4970	X
#120	CB102	UM9910	UM9910	UM9910	UM9910	X
#121	CB105	NO68020	NO68020	NO68020	NO68020	X
#122	CB104	NO68010	NO68010	NO68010	NO68010	X
#123	CB102	NO75810	NO75810	NO75810	NO75810	X
#124	DI007	NO79300	NO79300	NO79300	NO79300	X
#125	DI002	VA255A0	VA255A0	VA255A0	VA255A0	X
#126	DI018	RI170901D-T1-F	RI170901D-T1-F	RI170901D-T1-F	RI170901D-T1-F	X
#127	RI021	RF31410	RF31410	RF31410	RF31410	X
#128	RI022	RF31410	RF31410	RF31410	RF31410	X
#129	CB102	UM9910	UM9910	UM9910	UM9910	X
#130	RI014	RF31410	RF31410	RF31410	RF31410	X
#131	SA001	SA4280	SA4280	SA4280	SA4280	X
#132	SA004	SA4280	SA4280	SA4280	SA4280	X
#133	IC137	X	VA103A0	X	X	X
#134	IC139	X	VA103A0	X	X	X
#135	RI104	X	X	X	X	RD36410
#136	DI002	X	X	X	X	WD4330
#137	RI107	X	X	X	X	RD36710
#138	DI007	NO4970	NO4970	NO4970	NO4970	X
#139	DI007	NO4970	NO4970	NO4970	NO4970	X
#140	CB102	UM9910	UM9910	UM9910	UM9910	X
#141	CB105	NO68020	NO68020	NO68020	NO68020	X
#142	CB104	NO68010	NO68010	NO68010	NO68010	X
#143	CB102	NO75810	NO75810	NO75810	NO75810	X
#144	DI007	NO79300	NO79300	NO79300	NO79300	X
#145	DI002	VA255A0	VA255A0	VA255A0	VA255A0	X
#146	DI018	RI170901D-T1-F	RI170901D-T1-F	RI170901D-T1-F	RI170901D-T1-F	X
#147	RI021	RF31410	RF31410	RF31410	RF31410	X
#148	RI022	RF31410	RF31410	RF31410	RF31410	X
#149	CB102	UM9910	UM9910	UM9910	UM9910	X
#150	RI014	RF31410	RF31410	RF31410	RF31410	X
#151	SA001	SA4280	SA4280	SA4280	SA4280	X
#152	SA004	SA4280	SA4280	SA4280	SA4280	X
#153	IC137	X	VA103A0	X	X	X
#154	IC139	X	VA103A0	X	X	X
#155	RI104	X	X	X	X	RD36410
#156	DI002	X	X	X	X	WD4330
#157	RI107	X	X	X	X	RD36710
#158	DI007	NO4970	NO4970	NO4970	NO4970	X
#159	DI007	NO4970	NO4970	NO4970	NO4970	X
#160	CB102	UM9910	UM9910	UM9910	UM9910	X
#161	CB105	NO68020	NO68020	NO68020	NO68020	X
#162	CB104	NO68010	NO68010	NO68010	NO68010	X
#163	CB102	NO75810	NO75810	NO75810	NO75810	X
#164	DI007	NO79300	NO79300	NO79300	NO79300	X
#165	DI002	VA255A0	VA255A0	VA255A0	VA255A0	X
#166	DI018	RI170901D-T1-F	RI170901D-T1-F	RI170901D-T1-F	RI170901D-T1-F	X
#167	RI021	RF31410	RF31410	RF31410	RF31410	X
#168	RI022	RF31410	RF31410	RF31410	RF31410	X
#169	CB102	UM9910	UM9910	UM9910	UM9910	X
#170	RI014	RF31410	RF31410	RF31410	RF31410	X
#171	SA001	SA4280	SA4280	SA4280	SA4280	X
#172	SA004	SA4280	SA4280	SA4280	SA4280	X
#173	IC137	X	VA103A0	X	X	X
#174	IC139	X	VA103A0	X	X	X
#175	RI104	X	X	X	X	RD36410
#176	DI002	X	X	X	X	WD4330
#177	RI107	X	X	X	X	RD36710
#178	DI007	NO4970	NO4970	NO4970	NO4970	X
#179	DI007	NO4970	NO4970	NO4970	NO4970	X
#180	CB102	UM9910	UM9910	UM9910	UM9910	X
#181	CB105	NO68020	NO68020	NO68020	NO68020	X
#182	CB104	NO68010	NO68010	NO68010	NO68010	X
#183	CB102	NO75810	NO75810	NO75810	NO75810	X
#184	DI007	NO79300	NO79300	NO79300	NO79300	X
#185	DI002	VA255A0	VA255A0	VA255A0	VA255A0	X
#186	DI018	RI170901D-T1-F	RI170901D-T1-F	RI170901D-T1-F	RI170901D-T1-F	X
#187	RI021	RF31410	RF31410	RF31410	RF31410	X
#188	RI022	RF31410	RF31410	RF31410	RF31410	X
#189	CB102	UM9910	UM9910	UM9910	UM9910	X
#190	RI014	RF31410	RF31410	RF31410	RF31410	X
#191	SA001	SA4280	SA4280	SA4280	SA4280	X
#192	SA004	SA4280	SA4280	SA4280	SA4280	X
#193	IC137	X	VA103A0	X	X	X
#194	IC139	X	VA103A0	X	X	X
#195	RI104	X	X	X	X	RD36410
#196	DI002	X	X	X	X	WD4330
#197	RI107	X	X	X	X	RD36710
#198	DI007	NO4970	NO4970	NO4970	NO4970	X
#199	DI007	NO4970	NO4970	NO4970	NO4970	X
#200	CB102	UM9910	UM9910	UM9910	UM9910	X

REF	LOC	J	UC	RS	KA00LFP	T
#155	Q150	X	X	WD2870	X	X
#156	Q151	X	X	WD2870	X	X
#157	J151	VM6000	VM6000	VM6000	VM6000	X
#158	J152	VM6000	VM6000	VM6000	VM6000	X
#159	D150	X	X	WD2870	X	X
#160	Q150	X	X	WD2870	X	X
#161	Q151	X	X	WD2870	X	X
#162	R150	X	X	WD2870	X	X
#163	R151	X	X	WD2870	X	X
#164	D150	X	X	WD2870	X	X
#165	C150	NO6100	NO6100	NO6100	NO6100	X
#166	C151	NO6100	NO6100	NO6100	NO6100	X
#167	T150	NO6100	NO6100	NO6100	NO6100	X
#168	T151	NO6100	NO6100	NO6100	NO6100	X
#169	T152	NO6100	NO6100	NO6100	NO6100	X
#170	T153	NO6100	NO6100	NO6100	NO6100	X
#171	T154	NO6100	NO6100	NO6100	NO6100	X
#172	T155	NO6100	NO6100	NO6100	NO6100	X
#173	T156	NO6100	NO6100	NO6100	NO6100	X
#174	T157	NO6100	NO6100	NO6100	NO6100	X
#175	T158	NO6100	NO6100	NO6100	NO6100	X
#176	T159	NO6100	NO6100	NO6100	NO6100	X
#177	T160	NO6100	NO6100	NO6100	NO6100	X
#178	T161	NO6100	NO6100	NO6100	NO6100	X
#179	T162	NO6100	NO6100	NO6100	NO6100	X
#180	T163	NO6100	NO6100	NO6100	NO6100	X
#181	T164	NO6100	NO6100	NO6100	NO6100	X
#182	T165	NO6100	NO6100	NO6100	NO6100	X
#183	T166	NO6100	NO6100	NO6100	NO6100	X
#184	T167	NO6100	NO6100	NO6100	NO6100	X
#185	T168	NO6100	NO6100	NO6100	NO6100	X
#186	T169	NO6100	NO6100	NO6100	NO6100	X
#187	T170	NO6100	NO6100	NO6100	NO6100	X
#188	T171	NO6100	NO6100	NO6100	NO6100	X
#189	T172	NO6100	NO6100	NO6100	NO6100	X
#190	T173	NO6100	NO6100	NO6100	NO6100	X
#191	T174	NO6100	NO6100	NO6100	NO6100	X
#192	T175	NO6100	NO6100	NO6100	NO6100	X
#193	T176	NO6100	NO6100	NO6100	NO6100	X
#194	T177	NO6100	NO6100	NO6100	NO6100	X
#195	T178	NO6100	NO6100	NO6100	NO6100	X
#196	T179	NO6100	NO6100	NO6100	NO6100	X
#197	T180	NO6100	NO6100	NO6100	NO6100	X
#198	T181	NO6100	NO6100	NO6100	NO6100	X
#199	T182	NO6100	NO6100	NO6100	NO6100	X
#200	T183	NO6100	NO6100	NO6100	NO6100	X



RESISTOR

REMARKS	PARTS NAME
□	CARBON FILM RESISTOR (P=5)
△	METAL OXIDE FILM RESISTOR (P=10)
◇	METAL FILM RESISTOR
○	METAL PLATE RESISTOR
◇	FIRE PROOF CARBON FILM RESISTOR
□	CEMENT MOLDED RESISTOR
◇	SEMI VARIABLE RESISTOR
■	CHIP RESISTOR

NOTICE (model)

REMARKS	PARTS NAME
□	ELECTROLYTIC CAPACITOR
△	TANTALUM CAPACITOR
◇	CERAMIC CAPACITOR
○	CERAMIC THIN-FILM CAPACITOR
◇	POLYESTER FILM CAPACITOR
○	POLYSTYRENE FILM CAPACITOR
◇	MICA CAPACITOR
○	POLYPROPYLENE FILM CAPACITOR
◇	SEMICONDUCTIVE CERAMIC CAPACITOR

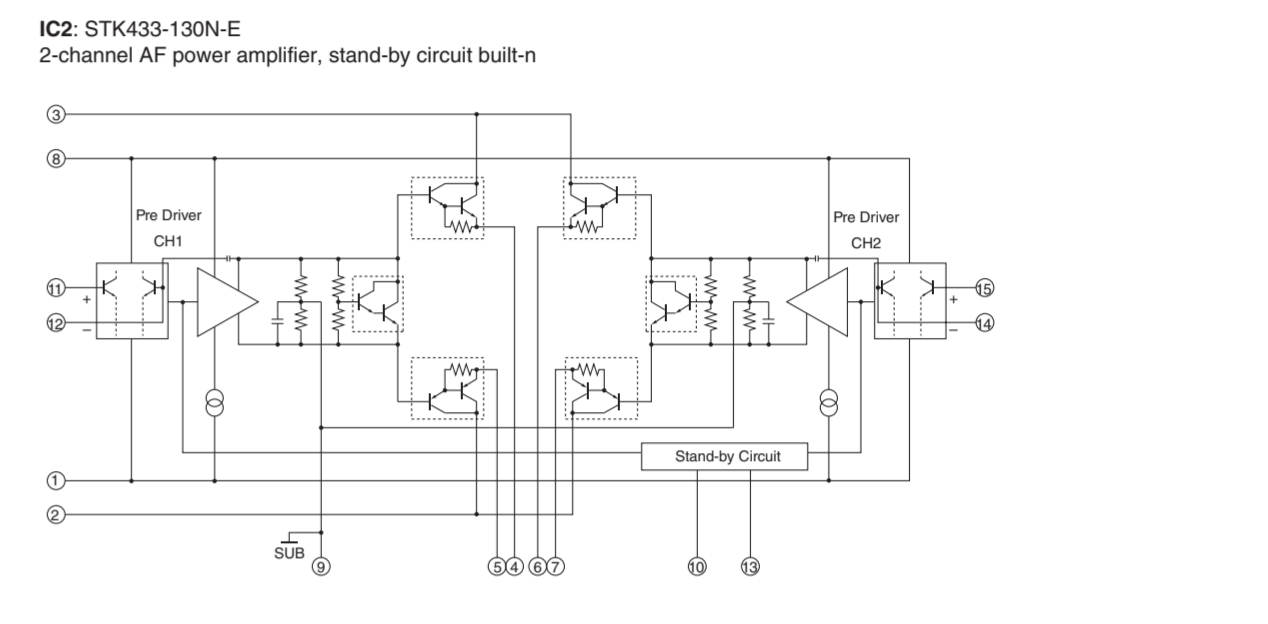
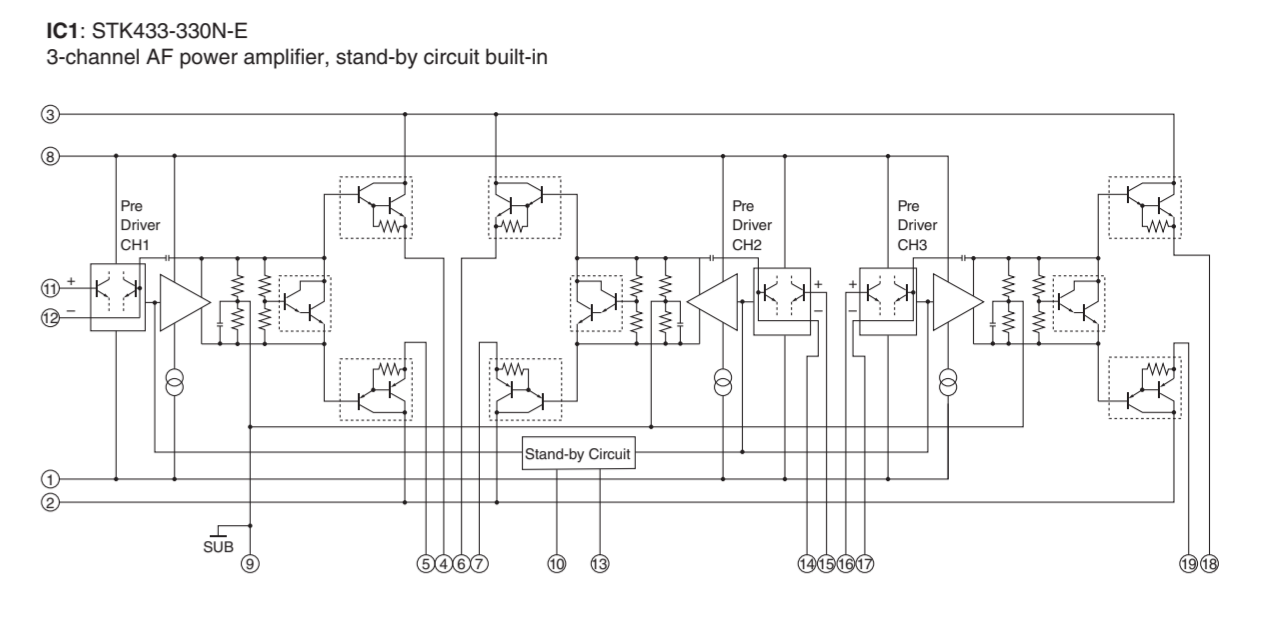
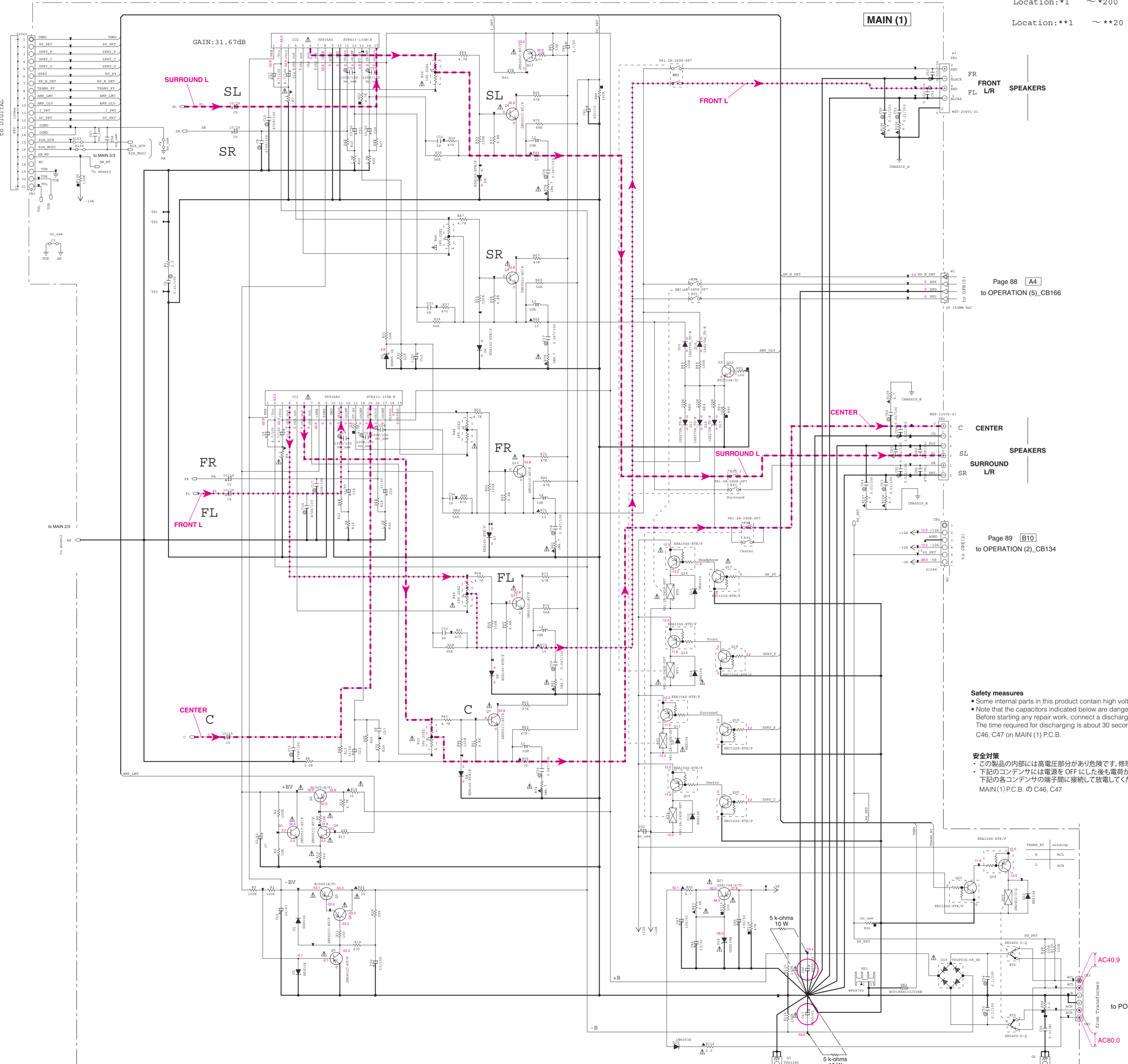
Safety measures

MAIN 1/3

MAIN (1)

Location: TP1 ~ TP200
Location: *1 ~ *200
Location: **1 ~ **20

Page 84 to DIGITAL
to DIGITAL_CB222



RESISTOR PARTS NAME table with columns for NO. MARK, PARTS NAME, and RESISTOR VALUE. It lists various types of resistors like carbon film, metal oxide film, metal film, metal plate, fine strip carbon film, cement molded, semi-variable, and chip resistors.

CAPACITOR PARTS NAME table with columns for REMARKS, NO. MARK, PARTS NAME, and CAPACITOR VALUE. It lists various types of capacitors like electrolytic, tantalum, ceramic, ceramic tubular, polyester film, polystyrene film, mica, polypropylene film, and polyphenylene sulfide film capacitors.

NOTICE (model) (J) JAPAN (U) U.S.A (C) CANADA (R) GENERAL (T) CHINA (K) KOREA (A) AUSTRALIA (B) BRITISH (G) EUROPE (L) SINGAPORE (S) SOUTH EUROPE (V) THAI (P) RUSSIAN (M) LATIN AMERICA (B) BRAZIL (H) THAI

Safety measures
• Some internal parts in this product contain high voltages and are dangerous. Be sure to take safety measures during servicing, such as wearing insulating gloves.
• Note that the capacitors indicated below are dangerous even after the power is turned off because an electric charge remains and a high voltage continues to exist there. Before starting any repair work, connect a discharging resistor (5 k-ohms/10 W) to the terminals of each capacitor indicated below to discharge electricity. The time required for discharging is about 30 seconds per each. C46, C47 on MAIN (1) P.C.B.
安全対策
• この製品の内部には高電圧部分があり危険です。修理の際は、絶縁性の手袋を使用するなどの安全対策を行ってください。
• 下記のコンデンサには電源をOFFにした後も電荷が残し、高電圧が維持されており危険です。修理作業前に放電用抵抗(5 kΩ/10 W)を下記の各コンデンサの端子間に接続して放電してください。放電所要時間は各々約30秒間です。
MAIN(1)P.C.B.のC46, C47

★ All voltages are measured with a 10MΩ/V DC electronic voltmeter.
★ Components having special characteristics are marked Δ and must be replaced with parts having specifications equal to those originally installed.
★ Schematic diagram is subject to change without notice.

● 電圧は、内部抵抗 10MΩの電圧計で測定したものです。
● Δ印のある部品は、安全性確保部品を示しています。部品の交換が必要な場合、パーツリストに記載されている部品を使用してください。
● 本回路図は標準回路図です。改良のため予告なく変更することがあります。

MAIN 2/3

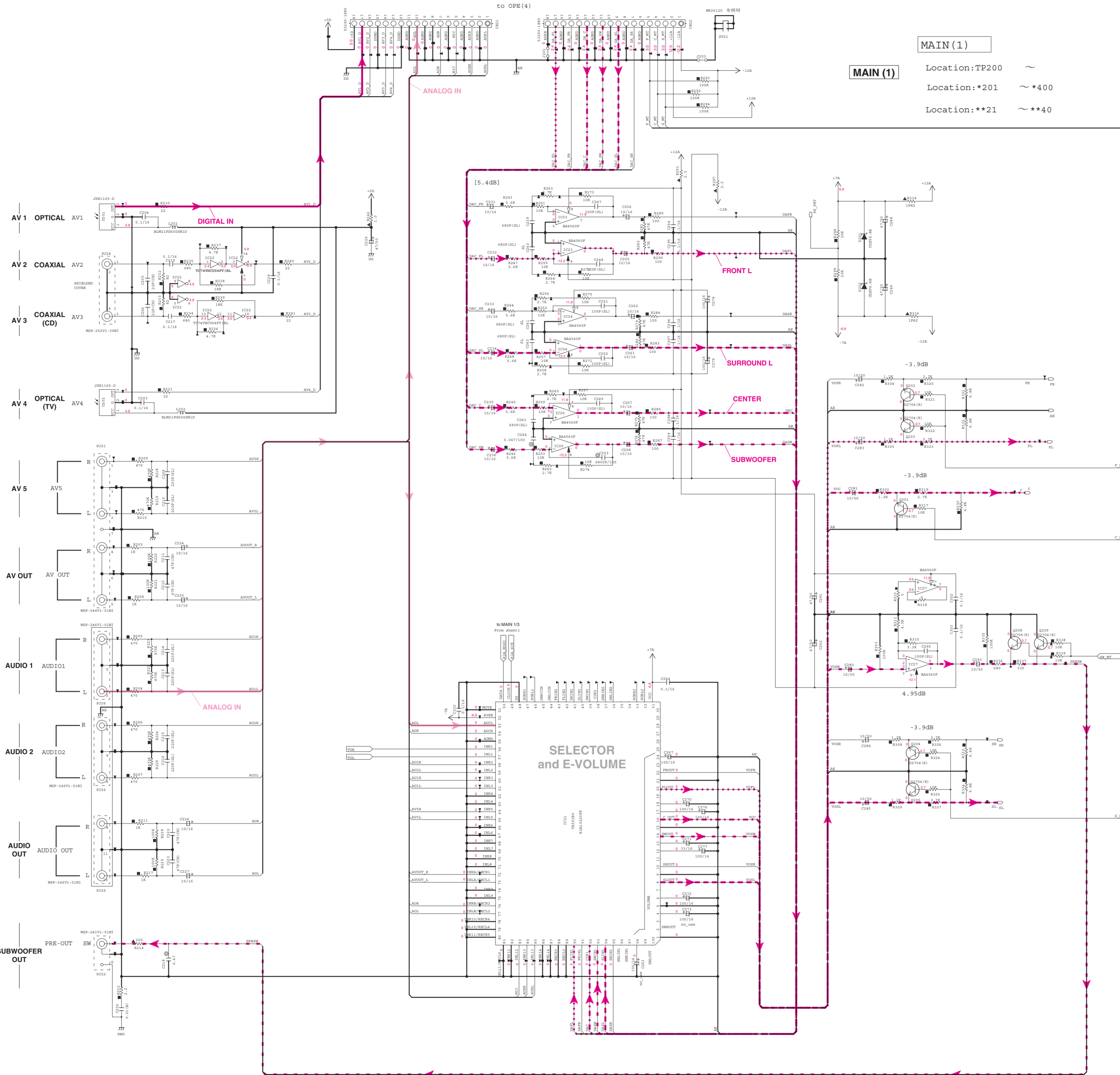
Page 89 [B4] to OPERATION (4)_CB192 Page 89 [B2] to OPERATION (4)_CB191

REMARKS	PARTS NAME
NO MARK	CARBON FILM RESISTOR (P=5)
△	CARBON FILM RESISTOR (P=10)
▲	METAL OXIDE FILM RESISTOR
△	METAL FILM RESISTOR
□	METAL PLATE RESISTOR
○	FIRE PROOF CARBON FILM RESISTOR
◇	CERMET WOUND RESISTOR
◇	TEMP. VARIABLE RESISTOR
■	CHIP RESISTOR

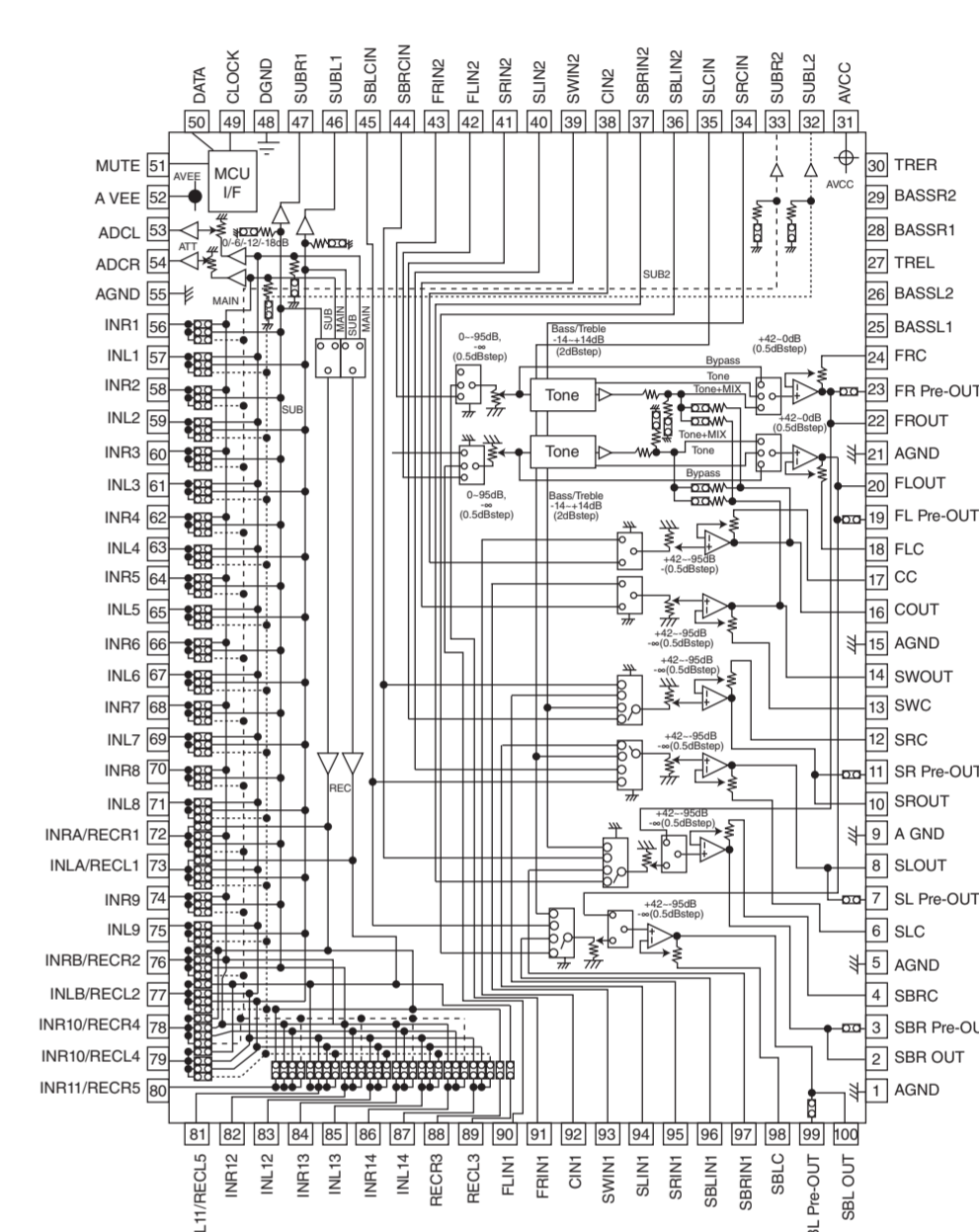
REMARKS	PARTS NAME
NO MARK	ELECTROLYTIC CAPACITOR
⊗	TANTALUM CAPACITOR
○	CERAMIC CAPACITOR
●	CERAMIC TUBULAR CAPACITOR
○	POLYESTER FILM CAPACITOR
○	POLYSTYRENE FILM CAPACITOR
○	MICA CAPACITOR
○	POLYPROPYLENE FILM CAPACITOR
●	SEMICONDUCTIVE CERAMIC CAPACITOR

REMARKS	NOTICE (mode1)
(J) JAPAN
(U) U.S.A.
(C) CANADA
(R) GENERAL
(T) CHINA
(E) EUROPE
(A) AUSTRALIA
(B) BRITISH
(G) GERMANY
(L) LATIN AMERICA
(S) SOUTH EUROPE
(V) TAIWAN
(P) RUSSIAN
(9) OTHER COUNTRIES
(S) BRAZIL
(R) THAI

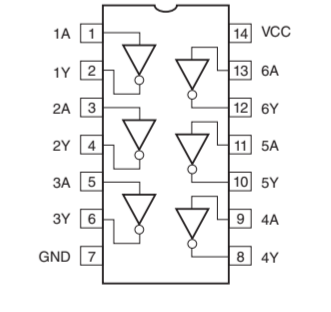
MAIN (1) Location:TP200 ~
 Location:*201 ~*400
 Location:**21 ~**40



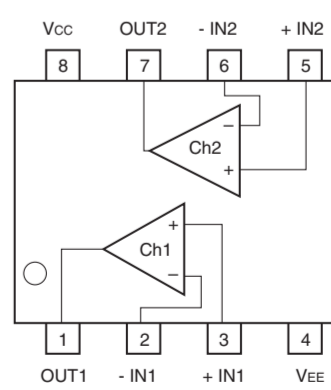
IC21: R2A15220FP 8-channel operational volume with 11 input selector and tone control



IC22: TC74VHC04FT Hex inverters



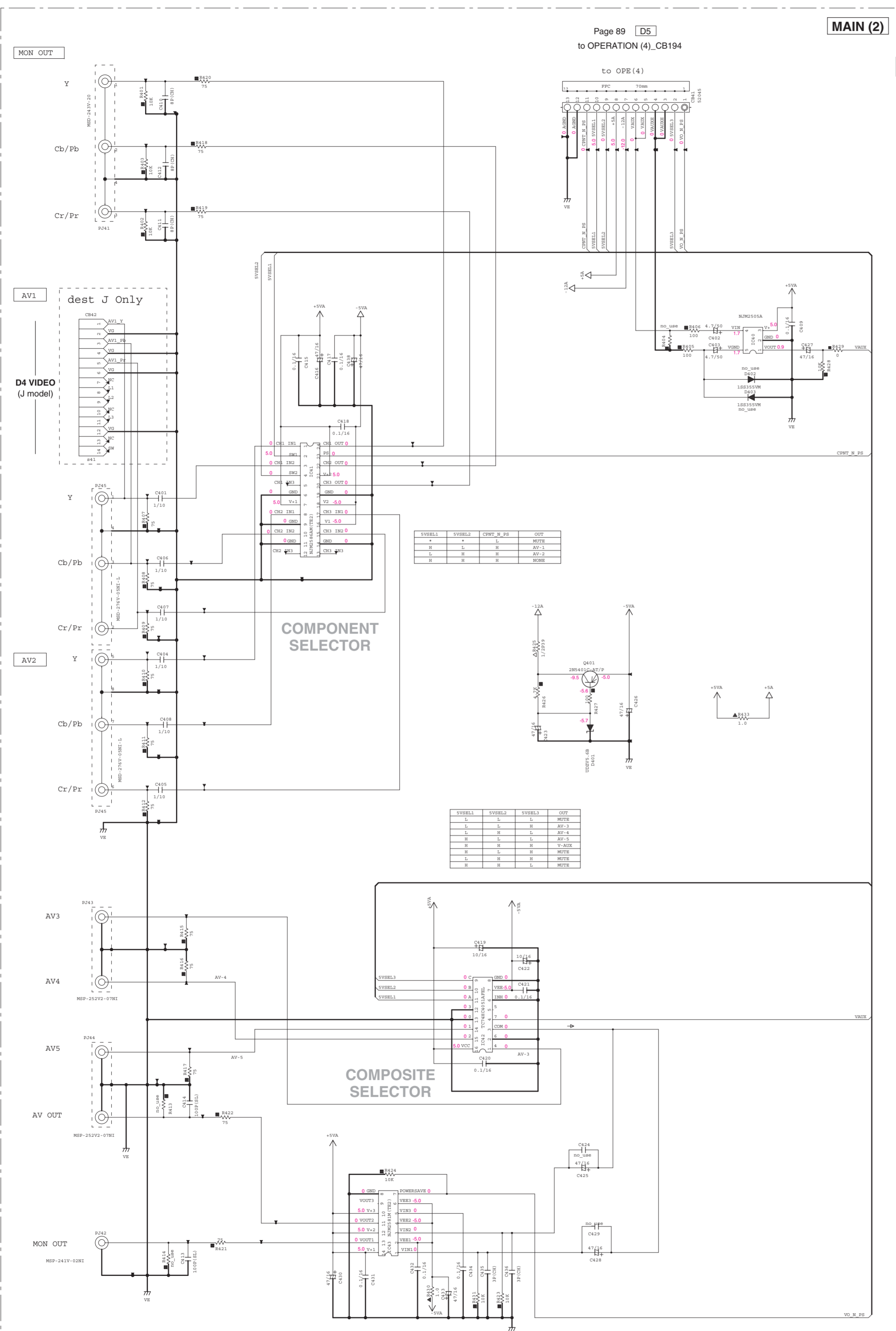
IC23-25, 27: BA4560F-E2 Low noise dual operational amplifier



- ★ All voltages are measured with a 10MΩ/DC electronic voltmeter.
 - ★ Components having special characteristics are marked △ and must be replaced with parts having specifications equal to those originally installed.
 - ★ Schematic diagram is subject to change without notice.
- 電圧は、内部抵抗 10MΩの電圧計で測定したものです。
 ● △印のある部品は、安全性確保部品を示しています。部品の交換が必要な場合、パーツリストに記載されている部品を使用してください。
 ● 本回路図は標準回路図です。改良のため予告なく変更することがあります。

MAIN 3/3

MONITOR OUT
MON OUT
Cb/Pb
Cr/Pr
AV1
D4 VIDEO (J model)
AV 1
AV 2
Cb/Pb
Cr/Pr
AV 3
AV 4
AV 5
VIDEO
AV OUT
MONITOR OUT



Page 89 [D5] to OPERATION (4)_CB194

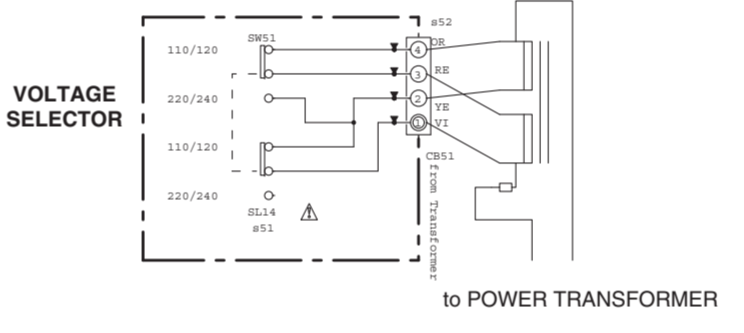
MAIN (2)

MAIN (2) VIDEO
Location:TP400 ~
Location:*401 ~*500
Location:**40 ~**50

MAIN (3)

VOLTAGE SELECTOR
dest RS Only
Location:TP500 ~
Location:*501 ~
Location:**51 ~

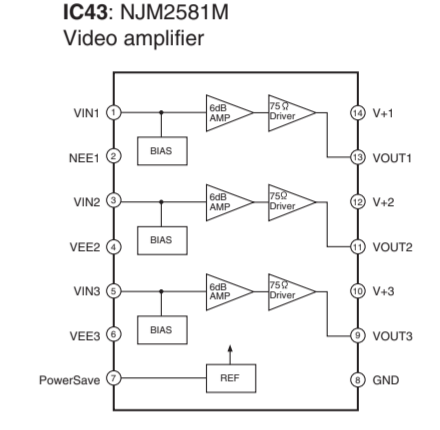
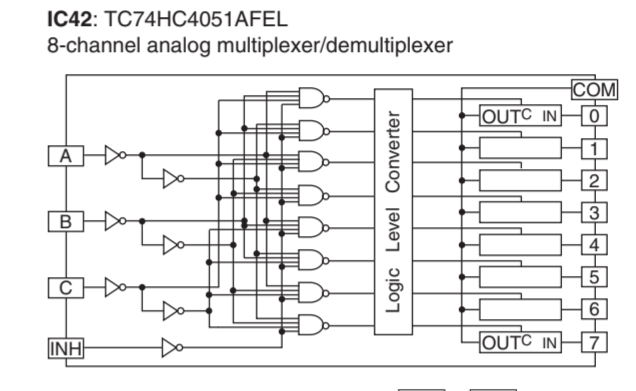
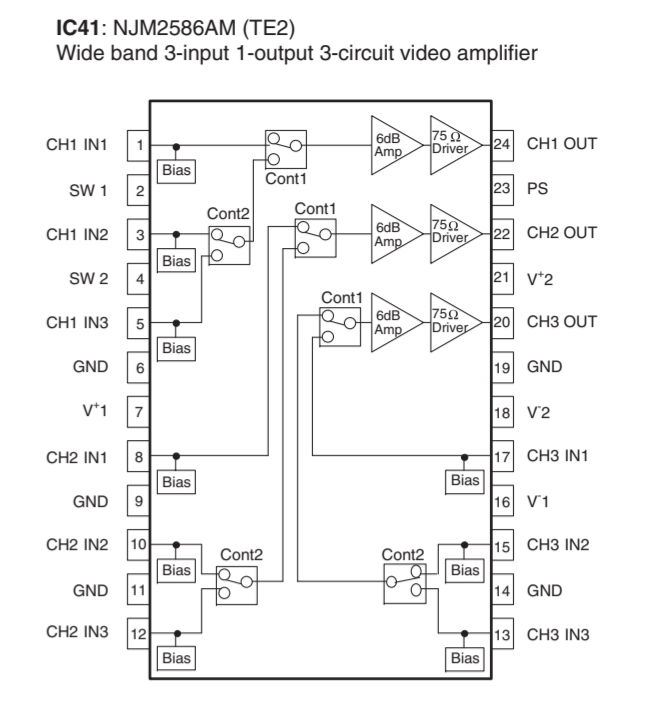
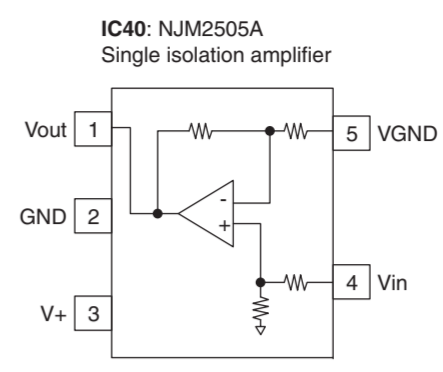
MAIN (3) R, S models



MAIN (4)

MAIN (4) GUARD

Destination Part List table with columns for part number, description, and destination codes.



RESISTOR table listing various resistor types and their part names.

CAPACITOR table listing various capacitor types and their part names.

NOTICE (model)
(J) JAPAN
(U) U.S.A.
(C) CANADA
(R) GENERAL
(T) CHINA
(K) KOREA
(A) AUSTRALIA
(S) BRITISH
(G) EUROPE
(L) SINGAPORE
(E) SOUTH EUROPE
(V) TAIWAN
(F) RUSSIAN
(P) LATIN AMERICA
(B) BRAZIL
(X) THAI

* All voltages are measured with a 10MΩ DC electronic voltmeter.
* Components having special characteristics are marked Δ and must be replaced with parts having specifications equal to those originally installed.
* Schematic diagram is subject to change without notice.
● 電圧は、内部抵抗 10MΩの電圧計で測定したものです。
● Δ印のある部品は、安全性確保部品を示しています。部品の交換が必要な場合、パーツリストに記載されている部品を使用してください。
● 本回路図は標準回路図です。改良のため予告なく変更することがあります。

■ REPLACEMENT PARTS LIST

● ELECTRICAL COMPONENT PARTS

WARNING

- Components having special characteristics are marked Δ and must be replaced with parts having specifications equal to those originally installed.
- Δ 印のある部分は、安全確保部品を示しています。部品の交換が必要な場合、パーツリストに記載されている部品を使用してください。
- 部品価格ランクは、予告なく変更することがあります。

ABBREVIATIONS IN THIS LIST ARE AS FOLLOWS:

C.A.EL.CHP	: CHIP ALUMI.ELECTROLYTIC CAP	LED.CHP	: CHIP LED
C.CE	: CERAMIC CAP	LED.DSPLY	: LED DISPLAY
C.CE.ARRAY	: CERAMIC CAP ARRAY	LED.INFRD	: LED,INFRARED
C.CE.CHP	: CHIP CERAMIC CAP	PHOT.CPL	: PHOTO COUPLER
C.CE.M.CHP	: CHIP MULTILAYER CERAMIC CAP	PHOT.INTR	: PHOTO INTERRUPTER
C.CE.SAFTY	: RECOGNIZED CERAMIC CAP	PHOT.RFLCT	: PHOTO REFLECTOR
C.CE.TUBLR	: CERAMIC TUBULAR CAP	PHOT.TR	: PHOTO TRANSISTOR
C.CE.SMI	: SEMI CONDUCTIVE CERAMIC CAP	PIN.TEST	: PIN,TEST POINT
C.EL	: ELECTROLYTIC CAP	PTC.THERMISTOR	: POSITIVE TEMPERATURE COEFFICIENT THERMISTOR
C.EL.BP	: BIPOLAR ELECTROLYTIC CAP	R.ANTI.SURGE	: FIXED ANTI SURGE RESISTOR
C.EL.CHP	: CHIP ELECTROLYTIC CAP	R.ARRAY	: RESISTOR ARRAY
C.MICA	: MICA CAP	R.CAR.	: CARBON RESISTOR
C.ML.FLM	: MULTILAYER FILM CAP	R.CAR.CHP	: CHIP RESISTOR
C.MP	: METALLIZED POLYESTER FILM CAP	R.CAR.FP	: FLAME PROOF CARBON RESISTOR
C.MYLAR	: MYLAR FILM CAP	R.CEMENT	: CEMENT RESISTOR
C.MYLAR.ML	: MULTILAYER MYLAR FILM CAP	R.FUS	: FUSIBLE RESISTOR
C.NIOB.OXD	: NIOBIUM OXIDE CAP	R.MTL.CHP	: CHIP METAL FILM RESISTOR
C.PAPER	: PAPER CAPACITOR	R.MTL.FLM	: METAL FILM RESISTOR
C.PLS	: POLYSTYRENE FILM CAP	R.MTL.OXD	: METAL OXIDE FILM RESISTOR
C.POL	: POLYESTER FILM CAP	R.MTL.PLAT	: METAL PLATE RESISTOR
C.PP	: POLYPROPYLENE FILM CAP	RSNR.CE	: CERAMIC RESONATOR
C.PP.CHP	: CHIP POLYPROPYLENE FILM CAP	RSNR.CRYS	: CRYSTAL RESONATOR
C.TNTL	: TANTALIUM CAP	SCR.BND.HD	: BIND HEAD B-TIGHT SCREW
C.TNTL.CHP	: CHIP TANTALIUM CAP	SCR.TERM	: SCREW TERMINAL
C.TRIM	: TRIMMER CAP	SCR.TR	: SCREW,TRANSISTOR
CN	: CONNECTOR	SURG.PRTCT	: SURGE PROTECTOR
CN.BS.PIN	: CONNECTOR,BASE PIN	SUPRT.PCB	: P.C.B. SUPPORT
CN.CANNON	: CONNECTOR,CANNON	SW.LEVER	: LEVER SWITCH
CN.DIN	: CONNECTOR,DIN	SW.MICRO	: MICRO SWITCH
CN.FLAT	: CONNECTOR,FLAT CABLE	SW.LEAF	: LEAF SWITCH
CN.FFC	: CONNECTOR,FLEXIBLE FLAT CABLE	SW.PUSH	: PUSH SWITCH
CN.HDMI	: HDMI CONNECTOR	SW.RT	: ROTARY SWITCH
CN.PHOTO.R	: PHOTO FIBER SENSOR,RECEIVED	SW.RT.ENC	: ROTARY ENCODER
CN.PHOTO.T	: PHOTO FIBER SENSOR,TRANSMITTED	SW.RT.MTR	: ROTARY SWITCH WITH MOTOR
DIODE.ARRAY	: DIODE ARRAY	SW.SLIDE	: SLIDE SWITCH
DIODE.BRG	: DIODE BRIDGE	SW.TACT	: TACT SWITCH
DIODE.CHP	: CHIP DIODE	TERM.SP	: SPEAKER TERMINAL
DIODE.VAR	: VARACTOR DIODE	TERM.WRAP	: WRAPPING TERMINAL
DIODE.ZENR	: ZENER DIODE	THRMST.CHP	: CHIP THERMISTOR
DIODE.Z.CHP	: CHIP ZENER DIODE	TR	: TRANSISTOR
DIODE.SCHOTTKY	: SCHOTTKY BARRIER DIODE	TR.CHP	: CHIP TRANSISTOR
DIODE.PHOT	: PHOTO DIODE	TR.DGT	: DIGITAL TRANSISTOR
FER.BEAD	: FERRITE BEADS	TR.DGT.CHP	: CHIP DIGITAL TRANSISTOR
FER.CORE	: FERRITE CORE	TR.PAIR	: PAIR TRANSISTOR
FET.CHP	: CHIP FET	TRANS	: TRANSFORMER
FL.DSPLY	: FLUORESCENT DISPLAY	TRANS.PULS	: PULSE TRANSFORMER
FLTR.CE	: CERAMIC FILTER	TRANS.PWR	: POWER TRANSFORMER
FLTR.COMB	: COMB FILTER MODULE	VARISTOR.CHP	: CHIP VARISTOR
FLTR.LC.RF	: LC FILTER,EMI	VOLT.SELCT	: VOLTAGE SELECTOR
FUSE.CHP	: CHIP FUSE	VR	: ROTARY POTENTIOMETER
GND.MTL	: GROUND PLATE	VR.MTR	: POTENTIOMETER WITH MOTOR
GND.TERM	: GROUND TERMINAL	VR.SLIDE	: SLIDE POTENTIOMETER
JUMPER.CN	: JUMPER CONNECTOR	VR.SW	: POTENTIOMETER WITH SWITCH
JUMPER.TST	: JUMPER,TEST POINT	VR.TRIM	: TRIMMER POTENTIOMETER
L.DTCT	: LIGHT DETECTING MODULE		

DIGITAL

Ref No.	Part No.	Description	Remarks	Markets	部 品 名	ランク	
*	ZA305400	P. C. B.	DIGITAL		JUCRKABGFLSH	PCB DIGITAL	
*	ZC223400	P. C. B.	DIGITAL		T	PCB DIGITAL	
	CB201-205	WW271700	CN. HDMI			HDMI コネクター	
	CB221	VF982300	CN. BS. PIN			コネクター	01
	CB222	VQ045100	CN. BS. PIN			コネクター	02
	CB223	VQ044400	CN. BS. PIN			コネクター	01
	CB224	VQ047200	CN. BS. PIN			コネクター	01
	CB262	VK027100	CN. BS. PIN			コネクター	01
	CB263-264	VQ962100	CN. BS. PIN			コネクター	03
	CB281	VB389900	CN. BS. PIN		JUCRKABGFLSH	コネクター	01
	C2001-2004	WP882000	C. CE. CHP			チップセラコン	
	C2005-2013	US625100	C. CE. CHP			チップセラコン	01
	C2014	US663100	C. CE. CHP			チップセラコン	01
	C2015-2017	US625100	C. CE. CHP			チップセラコン	01
	C2018-2028	US663100	C. CE. CHP			チップセラコン	01
	C2029	US625100	C. CE. CHP			チップセラコン	01
	C2030	WP882000	C. CE. CHP			チップセラコン	
	C2031	US625100	C. CE. CHP			チップセラコン	01
	C2032	US662100	C. CE. CHP			チップセラコン	
	C2033-2034	US625100	C. CE. CHP			チップセラコン	01
	C2035-2037	US663100	C. CE. CHP			チップセラコン	01
	C2038	WP882000	C. CE. CHP			チップセラコン	
	C2039-2041	WD758300	C. CE. CHP			チップセラコン	01
	C2042-2043	US625100	C. CE. CHP			チップセラコン	01
	C2044-2045	US660700	C. CE. CHP			チップセラコン	01
	C2046	US625100	C. CE. CHP		JUCRKABGFLSH	チップセラコン	01
	C2047-2049	US663100	C. CE. CHP			チップセラコン	01
	C2050-2052	US625100	C. CE. CHP			チップセラコン	01
	C2053	WP882000	C. CE. CHP			チップセラコン	
	C2054	US625100	C. CE. CHP			チップセラコン	01
	C2056	US046100	C. CE. CHP			チップセラコン	01
	C2057	WP882000	C. CE. CHP			チップセラコン	
	C2058	US046100	C. CE. CHP			チップセラコン	01
	C2059	US661220	C. CE. CHP			チップセラコン	
	C2060	US625100	C. CE. CHP			チップセラコン	01
	C2063-2068	US625100	C. CE. CHP			チップセラコン	01
	C2069-2071	US663100	C. CE. CHP			チップセラコン	01
	C2072	US625100	C. CE. CHP		JUCRKABGFLSH	チップセラコン	01
	C2075	WD758300	C. CE. CHP			チップセラコン	01
	C2202	UF027330	C. EL. CHP			チップケミコン	01
	C2204	US625100	C. CE. CHP			チップセラコン	01
	C2205	US634100	C. CE. CHP			チップセラコン	01
	C2206-2208	US625100	C. CE. CHP			チップセラコン	01
	C2209	US625100	C. CE. CHP		JUCRKABGFLSH	チップセラコン	01
	C2212	US625100	C. CE. CHP			チップセラコン	01
	C2213-2214	US634100	C. CE. CHP			チップセラコン	01
	C2224-2228	US634100	C. CE. CHP			チップセラコン	01
	C2229	US126100	C. CE. CHP			チップセラコン	01
	C2230	US625100	C. CE. CHP			チップセラコン	01
	C2234-2235	US625100	C. CE. CHP			チップセラコン	01
	C2236	US634100	C. CE. CHP			チップセラコン	01
	C2249	US662100	C. CE. CHP			チップセラコン	
	C2255	US625100	C. CE. CHP			チップセラコン	01
	C2256-2259	US046100	C. CE. CHP			チップセラコン	01
	C2260	WP882000	C. CE. CHP			チップセラコン	
	C2262	UF027330	C. EL. CHP			チップケミコン	01
	C2263	US625100	C. CE. CHP			チップセラコン	01

* New Parts * 新規部品

DIGITAL

Ref No.	Part No.	Description	Remarks	Markets	部 品 名	ランク
C2264-2267	US662100	C. CE. CHP	100pF 50V		チップセラコン	
C2269	US625100	C. CE. CHP	0. 1uF 10V		チップセラコン	01
C2270	US634100	C. CE. CHP	0. 01uF 16V		チップセラコン	01
C2271	US625100	C. CE. CHP	0. 1uF 10V	JUCRKABGFLSH	チップセラコン	01
C2401	US662100	C. CE. CHP	100pF 50V		チップセラコン	
C2402	WP882000	C. CE. CHP	10uF 6. 3V		チップセラコン	
C2403-2428	US625100	C. CE. CHP	0. 1uF 10V		チップセラコン	01
C2430	US663100	C. CE. CHP	1000pF 50V		チップセラコン	01
C2431	WP882000	C. CE. CHP	10uF 6. 3V		チップセラコン	
C2432	US663100	C. CE. CHP	1000pF 50V		チップセラコン	01
C2433-2434	WP882000	C. CE. CHP	10uF 6. 3V		チップセラコン	
C2435-2437	US625100	C. CE. CHP	0. 1uF 10V		チップセラコン	01
C2438-2440	US663100	C. CE. CHP	1000pF 50V		チップセラコン	01
C2441-2442	US625100	C. CE. CHP	0. 1uF 10V		チップセラコン	01
C2443-2446	US663100	C. CE. CHP	1000pF 50V		チップセラコン	01
C2447-2450	US625100	C. CE. CHP	0. 1uF 10V		チップセラコン	01
C2601-2602	WJ344400	C. CE. CHP	22uF 6. 3V		チップセラコン	01
C2605	US663390	C. CE. CHP	3900pF 50V		チップセラコン	01
C2606	US663100	C. CE. CHP	1000pF 50V		チップセラコン	01
C2607	US663390	C. CE. CHP	3900pF 50V		チップセラコン	01
C2608	US663100	C. CE. CHP	1000pF 50V		チップセラコン	01
C2609	US663330	C. CE. CHP	3300pF 50V		チップセラコン	
C2610	US634220	C. CE. CHP	0. 022uF 16V		チップセラコン	01
C2611-2612	US663100	C. CE. CHP	1000pF 50V		チップセラコン	01
C2613	WD758300	C. CE. CHP	10uF 10V		チップセラコン	01
C2614-2615	US625100	C. CE. CHP	0. 1uF 10V		チップセラコン	01
C2616	WD758300	C. CE. CHP	10uF 10V		チップセラコン	01
C2617-2618	US625100	C. CE. CHP	0. 1uF 10V		チップセラコン	01
C2620	US662100	C. CE. CHP	100pF 50V		チップセラコン	
C2622	WD758300	C. CE. CHP	10uF 10V		チップセラコン	01
C2623	US126100	C. CE. CHP	1uF 10V		チップセラコン	01
C2624	US634100	C. CE. CHP	0. 01uF 16V		チップセラコン	01
C2625	US625100	C. CE. CHP	0. 1uF 10V		チップセラコン	01
C2627	US661120	C. CE. CHP	12pF 50V		チップセラコン	
C2629	US625100	C. CE. CHP	0. 1uF 10V		チップセラコン	01
C2632	US661150	C. CE. CHP	15pF 50V		チップセラコン	01
C2634-2635	WK004400	C. CE. M. CHP	10uF 16V		チップ積層セラコン	01
C2636	US126100	C. CE. CHP	1uF 10V		チップセラコン	01
C2637	US634100	C. CE. CHP	0. 01uF 16V		チップセラコン	01
C2638	US126100	C. CE. CHP	1uF 10V		チップセラコン	01
C2639	US634100	C. CE. CHP	0. 01uF 16V		チップセラコン	01
C2640	UB214680	C. CE. CHP	0. 068uF 25V		チップセラコン	01
C2641	US643470	C. CE. CHP	4700pF 25V		チップセラコン	01
C2642	WD758300	C. CE. CHP	10uF 10V		チップセラコン	01
C2643	US625100	C. CE. CHP	0. 1uF 10V		チップセラコン	01
C2647	US625100	C. CE. CHP	0. 1uF 10V		チップセラコン	01
C2648	WD758300	C. CE. CHP	10uF 10V		チップセラコン	01
C2649	US634100	C. CE. CHP	0. 01uF 16V		チップセラコン	01
C2657	US634100	C. CE. CHP	0. 01uF 16V		チップセラコン	01
C2658-2660	US126100	C. CE. CHP	1uF 10V		チップセラコン	01
C2661	UF037100	C. EL. CHP	10uF 16V		チップケミコン	01
C2662	UF438100	C. EL. CHP	100uF 16V		チップケミコン	01
C2663-2664	US062820	C. CE. CHP	820pF 50V B		チップセラコン	01
C2665-2666	UF037100	C. EL. CHP	10uF 16V		チップケミコン	01
C2667-2672	US662100	C. CE. CHP	100pF 50V		チップセラコン	
C2673	US625100	C. CE. CHP	0. 1uF 10V		チップセラコン	01
C2716	US625100	C. CE. CHP	0. 1uF 10V		チップセラコン	01

* New Parts * 新規部品

DIGITAL

Ref No.	Part No.	Description	Remarks	Markets	部 品 名	ランク
C2717	WJ344400	C. CE. CHP	22uF 6.3V		チップセラコン	01
C2719	US663390	C. CE. CHP	3900pF 50V		チップセラコン	01
C2720	US663100	C. CE. CHP	1000pF 50V		チップセラコン	01
C2721	US634220	C. CE. CHP	0.022uF 16V		チップセラコン	01
C2722	US663100	C. CE. CHP	1000pF 50V		チップセラコン	01
C2723	US625100	C. CE. CHP	0.1uF 10V		チップセラコン	01
C2724	US634100	C. CE. CHP	0.01uF 16V		チップセラコン	01
C2725	WK004400	C. CE. M. CHP	10uF 16V		チップ積層セラコン	01
C2801	US662100	C. CE. CHP	100pF 50V	JUCRKABGFLSH	チップセラコン	
C2802-2805	US625100	C. CE. CHP	0.1uF 10V	JUCRKABGFLSH	チップセラコン	01
C2806	US662100	C. CE. CHP	100pF 50V	JUCRKABGFLSH	チップセラコン	
C2807	US625100	C. CE. CHP	0.1uF 10V	JUCRKABGFLSH	チップセラコン	01
C2809	US625100	C. CE. CHP	0.1uF 10V	JUCRKABGFLSH	チップセラコン	01
C2810	US060700	C. CE. CHP	7pF 50V B	JUCRKABGFLSH	チップセラコン	01
C2811	US625100	C. CE. CHP	0.1uF 10V	JUCRKABGFLSH	チップセラコン	01
C2812	US060700	C. CE. CHP	7pF 50V B	JUCRKABGFLSH	チップセラコン	01
C2813-2814	US625100	C. CE. CHP	0.1uF 10V	JUCRKABGFLSH	チップセラコン	01
C2815	WP882000	C. CE. CHP	10uF 6.3V	JUCRKABGFLSH	チップセラコン	
D2002	V2376600	DIODE. SCHOTTKY	RB500V-40		ショットキーダイオード	01
D2023	VV220700	DIODE. SCHOTTKY	RB501V-40		ショットキーダイオード	01
D2201-2203	WR148500	DIODE	RB521S-30TE61		ダイオード	
D2204	WW783900	DIODE	1SS355VM		ダイオード	
* IC201	YE185A00	IC. MEMORY	W25Q16CVSSIG	written	JUCRKABGFLSH	メモリ IC
IC203	X4063A00	IC	TC7WHU04FU			ロジック IC
* IC204	YE181A00	IC	TC7MBL3257CFK		JUCRKABGFLSH	ロジック IC
* IC221	YE182A00	IC. MEMORY	R1EX25032ATA00A			メモリ IC
* IC222	YE186A00	IC. MEMORY	W25Q80BVSSIG	written		メモリ IC
IC223	X4453A00	IC	SN74LVC1G17DCKR			ロジック IC
IC224	XV891B00	IC	TC74VHC08FT (EL, K)		JUCRKABGFLSH	ロジック IC
IC242	X9625B00	IC. MEMORY	M12L64164A-5TG 64M			メモリ IC
* IC243	YE184A00	IC. MEMORY	MX29LV160DBT1-70G	written		メモリ IC
* IC263	YD957A00	IC	R1191H050B-T1-FE			電源 IC
* IC264	YD956A00	IC	R1191H050D-T1-FE			電源 IC
IC265	YD216A00	IC	PCM9211PTR			IC
IC266	X9870A00	IC	PCM1681PWPR			IC
IC267	X3586B00	IC	TC74VHCT08AFT EL, K			ロジック IC
* IC282	YE099A00	IC	BU94607ARKV-E		JUCRKABGFLSH	IC
Q2001-2008	WZ461800	TR. CHP	2SC4081UBTLR			チップトランジスタ
Q2009	WE834500	FET	UPA672T-T1-A			FET
Q2201	WW782100	TR. DGT	DTC014EUBTL		JUCRKABGFLSH	デジタルトランジスタ
Q2202	WW782000	TR. DGT	DTA044EUBTL		JUCRKABGFLSH	デジタルトランジスタ
Q2203	WY001400	TR. ARRAY	HN4B01JE			トランジスタアレイ
Q2204-2207	WZ461700	TR. CHP	2SA1576UBTLR			チップトランジスタ
Q2208-2209	WY001400	TR. ARRAY	HN4B01JE			トランジスタアレイ
Q2210	WZ461700	TR. CHP	2SA1576UBTLR			チップトランジスタ
Q2211	WW782000	TR. DGT	DTA044EUBTL			デジタルトランジスタ
Q2212	WZ703400	FET	RAL035P01			MOS FET
XL201	ZA692800	RSNR. CRYST	27MHz DSX321G			水晶振動子
XL221	WA782500	RSNR. CE	8.000MHz			セラミック振動子
XL261	WS190000	RSNR. CRYST	24.576MHz DSX321G			水晶振動子
XL281	WM135200	RSNR. CRYST	16.9344MHz DSX321G		JUCRKABGFLSH	水晶振動子

* New Parts * 新規部品

OPERATION

Ref No.	Part No.	Description	Remarks	Markets	部 品 名	ランク
	ZA305000	P. C. B.	OPERATION	J	PCB OPERATION	
	ZA305100	P. C. B.	OPERATION	UC	PCB OPERATION	
	ZA305200	P. C. B.	OPERATION	RS	PCB OPERATION	
	ZC223100	P. C. B.	OPERATION	T	PCB OPERATION	
	ZA305300	P. C. B.	OPERATION	KABGFLH	PCB OPERATION	
	CB101	VF982300 CN. BS. PIN	17P		コネクタ	01
	CB104	VQ047200 CN. BS. PIN	9P		コネクタ	01
	CB105	WQ680200 CN. USB	4P TE AAPVA004C0	JUCRKABGFLSH	USBコネクタ	02
	CB132	VK026300 CN. BS. PIN	4P		コネクタ	01
	CB134	VK026500 CN. BS. PIN	6P		ワイヤートラップ	01
	CB135	LB919090 CN. BS. PIN	9P		コネクタ	02
	CB136	VK024900 CN. BS. PIN	52147 5P TE		ワイヤートラップ	01
	CB152-153	WN077700 CLIP. FUSE	CLIP PFC5000-0202F		ヒューズクリップ	
	CB154-155	VG879900 CN. BS. PIN	2P		コネクタ	01
	CB166	VB858300 CN. BS. PIN	4P		コネクタ	01
	CB191-192	VQ962100 CN. BS. PIN	18P		コネクタ	03
	CB193	VQ044400 CN. BS. PIN	9P		コネクタ	01
	CB194	VM923600 CN. BS. PIN	13P		コネクタ	01
	CB195-196	VQ963900 CN. BS. PIN	18P		コネクタ	03
	C1001-1002	US065100 C. CE. CHP	0. 1uF 50V B		チップセラコン	01
	C1003-1004	US062100 C. CE. CHP	100pF 50V B		チップセラコン	01
	C1005	US135100 C. CE. CHP	0. 1uF 16V		チップセラコン	01
	C1006	US061100 C. CE. CHP	10pF 50V B		チップセラコン	01
	C1007	US135100 C. CE. CHP	0. 1uF 16V		チップセラコン	01
	C1008	UM397100 C. EL	10uF 16V		ケミコン	01
	C1009-1011	US135100 C. CE. CHP	0. 1uF 16V		チップセラコン	01
	C1012	WD758300 C. CE. CHP	10uF 10V	JUCRKABGFLSH	チップセラコン	01
	C1013	UR868220 C. EL	220uF 50V		ケミコン	
	C1014	UM388330 C. EL	330uF 6. 3V		ケミコン	01
	C1015	US135100 C. CE. CHP	0. 1uF 16V		チップセラコン	01
	C1016	US061680 C. CE. CHP	68pF 50V B		チップセラコン	01
	C1017	US065100 C. CE. CHP	0. 1uF 50V B		チップセラコン	01
	C1018	US064100 C. CE. CHP	0. 01uF 50V B		チップセラコン	01
	C1019-1020	US065100 C. CE. CHP	0. 1uF 50V B		チップセラコン	01
	C1023	US064100 C. CE. CHP	0. 01uF 50V B		チップセラコン	01
	C1026-1027	US135100 C. CE. CHP	0. 1uF 16V		チップセラコン	01
	C1028-1029	US062220 C. CE. CHP	220pF 50V B		チップセラコン	01
	C1031	WD758300 C. CE. CHP	10uF 10V	JUCRKABGFLSH	チップセラコン	01
	C1032	UM398100 C. EL	100uF 16V	JUCRKABGFLSH	ケミコン	01
	C1033-1034	WD758300 C. CE. CHP	10uF 10V	JUCRKABGFLSH	チップセラコン	01
	C1036	WD758300 C. CE. CHP	10uF 10V	JUCRKABGFLSH	チップセラコン	01
	C1038	US063100 C. CE. CHP	1000pF 50V B	JUCRKABGFLSH	チップセラコン	01
	C1301	UR866100 C. EL	1uF 50V		ケミコン	01
	C1302-1303	UR837470 C. EL	47uF 16V		ケミコン	01
	C1304	US064100 C. CE. CHP	0. 01uF 50V B		チップセラコン	01
	C1305	US065100 C. CE. CHP	0. 1uF 50V B		チップセラコン	01
	C1306	US135100 C. CE. CHP	0. 1uF 16V	JUCRKABGFLSH	チップセラコン	01
	C1307	UR837470 C. EL	47uF 16V		ケミコン	01
	C1308	UR867100 C. EL	10uF 50V	JUCRKABGFLSH	ケミコン	01
	C1309	UR837100 C. EL	10uF 16V		ケミコン	01
	C1310-1311	UR866100 C. EL	1uF 50V		ケミコン	01
	C1312	UR866100 C. EL	1uF 50V	JUCRKABGFLSH	ケミコン	01
	C1313-1316	UR866100 C. EL	1uF 50V		ケミコン	01
	C1317	UR739470 C. EL	4700uF 16V	JUCRKABGFLSH	ケミコン	02
	C1318	UR749470 C. EL	4700uF 25V		ケミコン	05
	C1319	UR749220 C. EL	2200uF 25V		ケミコン	03

* New Parts * 新規部品

OPERATION

Ref No.	Part No.	Description	Remarks	Markets	部 品 名	ランク
C1320	UR73A100	C. EL	1000uF 16V		ケミコン	03
C1322-1323	VR168300	C. MYLAR	0. 1uF 50V		マイラーコン	01
C1325	US135330	C. CE. CHP	0. 33uF 16V	JUCRKABGFLSH	チップセラコン	01
C1326	WJ610200	C. MYLAR	0. 01uF 100V		マイラーコン	01
C1328	US035100	C. CE. CHP	0. 1uF 16V B		チップセラコン	01
C1329	US035100	C. CE. CHP	0. 1uF 16V B	UC	チップセラコン	01
C1451-1452	US063100	C. CE. CHP	1000pF 50V B		チップセラコン	01
C1501	UR749220	C. EL	2200uF 25V	JUCKABGFLH	ケミコン	03
C1501	UR759220	C. EL	2200uF 35V	RS	ケミコン	02
C1502	WJ610200	C. MYLAR	0. 01uF 100V		マイラーコン	01
C1503	UR897100	C. EL	10uF 100V	RS	ケミコン	01
C1504	WJ610200	C. MYLAR	0. 01uF 100V	JUCKABGFLH	マイラーコン	01
C1505-1506	WJ610200	C. MYLAR	0. 01uF 100V	RS	マイラーコン	01
△ C1507	WQ939400	C. CE. SAFTY	0. 01uF 250V		規格認定コンデンサ	01
C1651-1654	WJ610200	C. MYLAR	0. 01uF 100V		マイラーコン	01
C1701	US064100	C. CE. CHP	0. 01uF 50V B	JUCRKABGFLSH	チップセラコン	01
C1702-1704	US063100	C. CE. CHP	1000pF 50V B	JUCRKABGFLSH	チップセラコン	01
C1705	UM397100	C. EL	10uF 16V	JUCRKABGFLSH	ケミコン	01
C1706	UM397220	C. EL	22uF 25V	JUCRKABGFLSH	ケミコン	01
C1707	US062100	C. CE. CHP	100pF 50V B	JUCRKABGFLSH	チップセラコン	01
C1708	UM387470	C. EL	47uF 16V	JUCRKABGFLSH	ケミコン	01
C1709	US061330	C. CE. CHP	33pF 50V B	JUCRKABGFLSH	チップセラコン	01
C1710	UM397100	C. EL	10uF 16V	JUCRKABGFLSH	ケミコン	01
C1711-1712	UM397220	C. EL	22uF 25V	JUCRKABGFLSH	ケミコン	01
C1713-1714	US065100	C. CE. CHP	0. 1uF 50V B	JUCRKABGFLSH	チップセラコン	01
D1001-1002	WY163000	DIODE. ZENR	UDZV4. 3B		ツェナーダイオード	
D1003-1004	WW783900	DIODE	1SS355VM		ダイオード	
D1007	WW783900	DIODE	1SS355VM	JUCRKABGFLSH	ダイオード	
D1301	VV220700	DIODE. SCHOTTKY	RB501V-40		ショットキーダイオード	01
D1302	WY163300	DIODE. ZENR	UDZV5. 6B		ツェナーダイオード	
D1303	WW783900	DIODE	1SS355VM		ダイオード	
D1304	WY163300	DIODE. ZENR	UDZV5. 6B		ツェナーダイオード	
D1305-1306	WW783900	DIODE	1SS355VM		ダイオード	
△ D1307	WH487300	DIODE. BRG	RS203M 2. 0A 200V	JUCRKABGFLSH	ブリッジダイオード	02
△ D1308-1309	WA653100	DIODE. BRG	KBP103G 1A 200V		ブリッジダイオード	02
D1313-1314	WW783900	DIODE	1SS355VM		ダイオード	
* D1501	WY163100	DIODE. ZENR	UDZV4. 7B		ツェナーダイオード	
△ * D1502	WY163100	DIODE. ZENR	UDZV4. 7B	RS	ツェナーダイオード	
△ D1503-1504	VS997800	DIODE	1T2		ダイオード	01
△ D1505	VS997800	DIODE	1T2	RS	ダイオード	01
△ D1506-1507	VS997800	DIODE	1T2		ダイオード	01
D1508-1509	WC398800	DIODE	KDS160-RTK		ダイオード	01
* D1510	WY163100	DIODE. ZENR	UDZV4. 7B		ツェナーダイオード	
D1703	WY163200	DIODE. ZENR	UDZV5. 1B	JUCRKABGFLSH	ツェナーダイオード	01
△ F1501	WB221200	FUSE	T6A 125V	JUC	ヒューズ	01
△ F1501	WM933100	FUSE	T5A 250V	RS	ヒューズ	01
△ F1501	VV071700	FUSE	3. 15A 250V	TKABGFLH	ヒューズ	01
IC101	X6386A00	IC	M66003-0131FP		I C	07
IC102	YA255A00	IC	R1172H501D-T1-F	JUCRKABGFLSH	電源 I C	03
△ IC131	X6248A00	IC	NJM2388F33		電源 I C	04
IC132	X4928A00	IC	KIA7805API 5V	JUCRKABGFLSH	電源 I C	02
△ IC133	X4153A00	IC	KIA7812API		電源 I C	02
△ IC134	X4154A00	IC	KIA7912P1		電源 I C	03
△ IC135	X4928A00	IC	KIA7805API 5V		電源 I C	02
IC136	YA381A00	IC	LM19C1Z/LF THERMAL		電源 I C	04
IC137	YA381A00	IC	LM19C1Z/LF THERMAL	UC	電源 I C	04
* IC171	YD779A00	IC	BA4560F OP AMP	JUCRKABGFLSH	アンプ I C	

* New Parts * 新規部品

OPERATION and MAIN

Ref No.	Part No.	Description	Remarks	Markets	部 品 名	ランク
* JK101	ZA305700	JACK. MINI	MSJ-035-05A-B-RF		ステレオミニジャック	
JK166	WZ975700	JACK. PHONE	MSJ-064-05B-B-RF		PHONES ジャック	
JK171	WJ117300	JACK. MNI	MSJ-2200C AG	JUCRKABGFLSH	ミニジャック	02
PJ101	WZ631700	JACK. PIN	1P MTJ-032-21B-NI		ピンジャック	
Q1001-1008	WC529400	TR	KTC3875S Y GR RTK		トランジスタ	01
Q1301	WC435100	TR. DGT	KRC104S-RTK		デジタルトランジスタ	01
Q1302	WC529400	TR	KTC3875S Y GR RTK		トランジスタ	01
Q1303	WB228800	TR	KTC3198 Y AT		トランジスタ	01
Q1304	WC435100	TR. DGT	KRC104S-RTK		デジタルトランジスタ	01
△ Q1501	WB228800	TR	KTC3198 Y AT		トランジスタ	01
△ Q1502	WB228700	TR	KTA1266 Y AT	RS	トランジスタ	01
△ Q1503	VP872600	TR	2SA1708 S, T	RS	トランジスタ	
△ Q1504	WB228700	TR	KTA1266 Y AT	RS	トランジスタ	01
△ * Q1505	WG422900	TR. DGT	DTC114EUA TP	RS	デジタルトランジスタ	
△ R1316	HL004470	R. MTL. OXD	47Ω 1/2W		酸化金属被膜抵抗	01
△ R1322	WJ681600	R. MTL. FLM	0.22Ω 1W	JUCRKABGFLSH	金属被膜抵抗	
△ R1323	WJ682000	R. MTL. FLM	0.47Ω 1W J		金属被膜抵抗	
△ R1508	VC757900	R. MTL. OXD	47Ω 2W	RS	酸化金属被膜抵抗	01
△ R1651-1652	WJ685600	R. MTL. FLM	470Ω 1W J		金属被膜抵抗	01
△ RY151	V9366900	RELAY	DLS9D1-0(M)0.25W		リレー 9V TV-8	05
SW101-114	WD483100	SW. TACT	SKRGAAD010		タクトスイッチ	01
SW116-119	WD483100	SW. TACT	SKRGAAD010		タクトスイッチ	01
SW145	V9597100	SW. RT. ENC	EC12E2460802		ロータリーエンコーダ	04
SW171	WD483100	SW. TACT	SKRGAAD010		タクトスイッチ	01
△ T1501	X8520A00	TRANS. PWR		J	電源トランス	07
△ T1501	X8521A00	TRANS. PWR		UC	電源トランス	
△ T1501	X8522A00	TRANS. PWR		RS	電源トランス	
△ T1501	X8523A00	TRANS. PWR		TKABGFLH	電源トランス	
U1001	WQ600700	L. DTCT	SM3385VMH6		リモコン受光ユニット	03
V1001	WW890900	FL. DSPLY	18-MT-11GNK		蛍光表示管	
*	ZA889500	FL. SPACER	8x30x4.3		FLスペースー	
*	ZA304300	P. C. B.	MAIN	J	PCB MAIN	
*	ZA304400	P. C. B.	MAIN	UCAT	PCB MAIN	
*	ZA304500	P. C. B.	MAIN	RS	PCB MAIN	
*	ZA304600	P. C. B.	MAIN	KBGLFH	PCB MAIN	
CB1	VQ047600	CN. BS. PIN	21P		コネクタ	02
CB3	LB932060	CN. BS. PIN	6P		コネクタ	01
CB21-22	VQ963900	CN. BS. PIN	18P		コネクタ	03
CB41	VM923600	CN. BS. PIN	13P		コネクタ	01
CB42	WD398400	CN. DIN	14P YKF45-3011	J	DINコネクタ	05
CB51	V9377900	CN. BS. PIN	4P	RS	コネクタ	
C1	WJ610200	C. MYLAR	0.01uF 100V		マイラーコン	01
* C2-6	WY263900	C. EL	10uF 16V		ケミコン	
C7	UR877220	C. EL	22uF 63V		ケミコン	01
C8	WJ608500	C. MYLAR	470pF 100V		マイラーコン	01
C9	UR896470	C. EL	4.7uF 100V		ケミコン	01
C10	WJ608500	C. MYLAR	470pF 100V		マイラーコン	01
C11	UR896470	C. EL	4.7uF 100V		ケミコン	01
C12	UR877220	C. EL	22uF 63V		ケミコン	01
C13-14	UR896470	C. EL	4.7uF 100V		ケミコン	01
C15-17	WJ608500	C. MYLAR	470pF 100V		マイラーコン	01
C19	UR867330	C. EL	33uF 50V		ケミコン	01
C21-22	UR867330	C. EL	33uF 50V		ケミコン	01
C24	UR867330	C. EL	33uF 50V		ケミコン	01

* New Parts * 新規部品

MAIN

Ref No.	Part No.	Description	Remarks	Markets	部 品 名	ランク
C26	UR897100	C. EL	10uF	100V	ケミコン	01
C27	FG650500	C. CE	5pF	50V	セラコン	01
C29	UR867330	C. EL	33uF	50V	ケミコン	01
C30	UR866100	C. EL	1uF	50V	ケミコン	01
C31-34	FG650500	C. CE	5pF	50V	セラコン	01
C35-39	WJ611000	C. MYLAR	0.047uF	100V	マイラーコン	
C40	UR866470	C. EL	4.7uF	50V	ケミコン	01
C41	UR828220	C. EL	220uF	10V	ケミコン	01
C43	UR878100	C. EL	100uF	63V	ケミコン	01
C44	UR867100	C. EL	10uF	50V	ケミコン	01
C45	UR868100	C. EL	100uF	50V	ケミコン	01
△ C46-47	WE514200	C. EL	6800uF	63V	ケミコン	
C50-51	WJ610200	C. MYLAR	0.01uF	100V	マイラーコン	01
C52-53	WJ610600	C. MYLAR	0.022uF	100V	マイラーコン	01
C54-55	WJ611400	C. MYLAR	0.1uF	100V J	マイラーコン	01
C56	US064100	C. CE. CHP	0.01uF	50V B	チップセラコン	01
C59-61	WJ610600	C. MYLAR	0.022uF	100V	マイラーコン	01
C62-64	WJ610200	C. MYLAR	0.01uF	100V	マイラーコン	01
C65-66	US062470	C. CE. CHP	470pF	50V B	チップセラコン	01
C202	US064100	C. CE. CHP	0.01uF	50V B	チップセラコン	01
C203-204	US135100	C. CE. CHP	0.1uF	16V	チップセラコン	01
C205-206	US061220	C. CE. CHP	22pF	50V B	チップセラコン	01
C209-210	US062220	C. CE. CHP	220pF	50V B	チップセラコン	01
C211-212	US061470	C. CE. CHP	47pF	50V B	チップセラコン	01
C213-216	US062220	C. CE. CHP	220pF	50V B	チップセラコン	01
C217	US135100	C. CE. CHP	0.1uF	16V	チップセラコン	01
C218	VR169200	C. MYLAR	0.47uF	50V	マイラーコン	01
C219	US135100	C. CE. CHP	0.1uF	16V	チップセラコン	01
C222-223	US061470	C. CE. CHP	47pF	50V B	チップセラコン	01
C224-227	UR837100	C. EL	10uF	16V	ケミコン	01
C228	US135100	C. CE. CHP	0.1uF	16V	チップセラコン	01
C229	UR867470	C. EL	47uF	50V	ケミコン	02
C230	US135100	C. CE. CHP	0.1uF	16V	チップセラコン	01
C231-236	UR837100	C. EL	10uF	16V	ケミコン	01
C239-243	US062680	C. CE. CHP	680pF	50V B	チップセラコン	01
C244	WJ611000	C. MYLAR	0.047uF	100V	マイラーコン	
C247-249	US062100	C. CE. CHP	100pF	50V B	チップセラコン	01
C251-252	US062100	C. CE. CHP	100pF	50V B	チップセラコン	01
C253	WJ609900	C. MYLAR	6800pF	100V	マイラーコン	01
C255-258	UR837100	C. EL	10uF	16V	ケミコン	01
C261-262	UR837100	C. EL	10uF	16V	ケミコン	01
C264	US135100	C. CE. CHP	0.1uF	16V	チップセラコン	01
C267	UR838100	C. EL	100uF	16V	ケミコン	01
C270	UR838100	C. EL	100uF	16V	ケミコン	01
C271	UR837330	C. EL	33uF	16V	ケミコン	01
C272	UR838100	C. EL	100uF	16V	ケミコン	01
C276-279	UR838100	C. EL	100uF	16V	ケミコン	01
C280	UR867100	C. EL	10uF	50V	ケミコン	01
* C281-283	WY270200	C. EL	10uF	50V	ケミコン	
C284-285	UR867100	C. EL	10uF	50V	ケミコン	01
C288-289	UR867470	C. EL	47uF	50V	ケミコン	02
C290	US062100	C. CE. CHP	100pF	50V B	チップセラコン	01
* C291-292	WY270500	C. EL	47uF	50V	ケミコン	
* C293	WY270200	C. EL	10uF	50V	ケミコン	
C294-299	US135100	C. CE. CHP	0.1uF	16V	チップセラコン	01
C302-303	US135100	C. CE. CHP	0.1uF	16V	チップセラコン	01
C401	WE773800	C. CE. M. CHP	1uF	10V B	チップ積層セラコン	01

* New Parts * 新規部品

MAIN

Ref No.	Part No.	Description	Remarks	Markets	部 品 名	ランク	
C402-403	UR866470	C. EL	4. 7uF	50V		ケミコン	01
C404-408	WE773800	C. CE. M. CHP	1uF	10V B		チップ積層セラコン	01
C409	US135100	C. CE. CHP	0. 1uF	16V		チップセラコン	01
C410-412	US060800	C. CE. CHP	8pF	50V B		チップセラコン	01
C413-414	US062100	C. CE. CHP	100pF	50V B		チップセラコン	01
C415	US135100	C. CE. CHP	0. 1uF	16V		チップセラコン	01
C416	UR837470	C. EL	47uF	16V		ケミコン	01
C417-418	US135100	C. CE. CHP	0. 1uF	16V		チップセラコン	01
C419	UR837100	C. EL	10uF	16V		ケミコン	01
C420-421	US135100	C. CE. CHP	0. 1uF	16V		チップセラコン	01
C422	UR837100	C. EL	10uF	16V		ケミコン	01
C423	UR837470	C. EL	47uF	16V		ケミコン	01
C425-428	UR837470	C. EL	47uF	16V		ケミコン	01
C430	UR837470	C. EL	47uF	16V		ケミコン	01
C431-432	US135100	C. CE. CHP	0. 1uF	16V		チップセラコン	01
C433	UR837470	C. EL	47uF	16V		ケミコン	01
C434	US135100	C. CE. CHP	0. 1uF	16V		チップセラコン	01
C435-436	US060300	C. CE. CHP	3pF	50V B		チップセラコン	01
C438	UR837470	C. EL	47uF	16V		ケミコン	01
D1-2	VD631600	DIODE	1SS133, 176			ダイオード	01
D3	WY163200	DIODE. ZENR	UDZV5. 1B			ツェナーダイオード	01
D4-8	WC398800	DIODE	KDS160-RTK			ダイオード	01
△ D9	VD631600	DIODE	1SS133, 176			ダイオード	01
D10-11	VN008700	DIODE	1SS270A			ダイオード	01
△ D12-14	VD631600	DIODE	1SS133, 176			ダイオード	01
D15-17	VN008700	DIODE	1SS270A			ダイオード	01
△ * D18	ZC567600	DIODE. ZENR	UDZV39B TE-17 39V			ツェナーダイオード	
△ D19	WA653200	DIODE. BRG	TS6P03G 6A 200V			ブリッジダイオード	04
D20	WU201600	DIODE	1N4003S TP			ダイオード	01
D22	VD631600	DIODE	1SS133, 176			ダイオード	01
D201-202	VU172200	DIODE. ZENR	UDZS6. 8BTE-17 6. 8V			ツェナーダイオード	
D401	WY163300	DIODE. ZENR	UDZV5. 6B			ツェナーダイオード	
△ IC1	YD936A00	IC. PWR. AMP	STK433-330N-E			パワーアンプ I C	11
△ IC2	YD935A00	IC. PWR. AMP	STK433-130N-E			パワーアンプ I C	09
IC21	YA361B00	IC	R2A15220FP			I C	07
IC22	XZ509A00	IC	TC74VHC04FT INVER			ロジック I C	01
* IC23-25	YD779A00	IC	BA4560F OP AMP			アンプ I C	
* IC27	YD779A00	IC	BA4560F OP AMP			アンプ I C	
IC40	YD360A00	IC	NJM2505A VIDEO AMP			アンプ I C	
IC41	X7362A00	IC	NJM2586AM (TE2)			アンプ I C	
IC42	XY549A00	IC	TC74HC4051AFEL			ロジック I C	02
IC43	X2904A00	IC	NJM2581M VIDEO AMP			アンプ I C	06
PJ21	V7046700	JACK. PIN	4P MSP-244V1-01N1			ピンジャック	03
PJ22	V7189700	JACK. PIN	1P			ピンジャック	01
PJ24	V9420700	JACK. PIN	2P MSP-252V1-30N1			ピンジャック	
PJ26	V7046800	JACK. PIN	6P MSP-246V1-01N1			ピンジャック	04
PJ41	WH380800	JACK. PIN	3P JACK G, B, R			ピンジャック	
PJ42	V7189800	JACK. PIN	1P			ピンジャック	01
PJ43-44	V7190000	JACK. PIN	2P			ピンジャック	
PJ45	WG505100	JACK. PIN	6P			ピンジャック	04
△ Q1	WC398400	TR	2N5551C-AT			トランジスタ	01
△ Q2-3	VS883300	TR	2SB1565 E, F			トランジスタ	02
△ Q4	WC398400	TR	2N5551C-AT			トランジスタ	01
△ Q5-6	WC397700	TR	2N5401C-AT			トランジスタ	01
△ Q7-11	WC398400	TR	2N5551C-AT			トランジスタ	01
△ Q12	WC397700	TR	2N5401C-AT			トランジスタ	01
△ Q13-16	WC434900	TR. DGT	KRA104S-RTK			デジタルトランジスタ	01

* New Parts * 新規部品

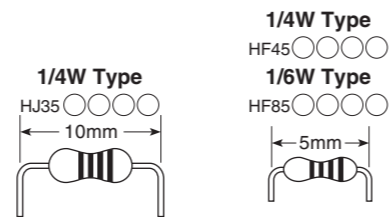
MAIN

Ref No.	Part No.	Description	Remarks	Markets	部 品 名	ランク
△	Q17-20	WC435000 TR. DGT	KRC102S-RTK		デジタルトランジスタ	01
△	Q21	VP872600 TR	2SA1708 S, T		トランジスタ	
	Q22	WB228800 TR	KTC3198 Y AT		トランジスタ	01
	Q23	WC435000 TR. DGT	KRC102S-RTK		デジタルトランジスタ	01
	Q24	WC434900 TR. DGT	KRA104S-RTK		デジタルトランジスタ	01
	Q201-205	WC883400 TR	2SD2704 K		トランジスタ	
	Q208-209	WC883400 TR	2SD2704 K		トランジスタ	
	Q401	WC397700 TR	2N5401C-AT		トランジスタ	01
△	R6-7	WW965300 R. MTL. OXD	2.2Ω 1/4W		酸化金属被膜抵抗	
△	R10	WW971100 R. MTL. OXD	560Ω 1/4W		酸化金属被膜抵抗	
△	R18	WW966900 R. MTL. OXD	10Ω 1/4W		酸化金属被膜抵抗	
△	R22	WW966900 R. MTL. OXD	10Ω 1/4W		酸化金属被膜抵抗	
△	R33	WP839400 R. CEMENT	0.22+0.22 3W		セメント抵抗	01
△	R36	WP839400 R. CEMENT	0.22+0.22 3W		セメント抵抗	01
△	R40	WP839400 R. CEMENT	0.22+0.22 3W		セメント抵抗	01
△	R48-49	WP839400 R. CEMENT	0.22+0.22 3W		セメント抵抗	01
	R64	WW966900 R. MTL. OXD	10Ω 1/4W		酸化金属被膜抵抗	
	R66	WW966900 R. MTL. OXD	10Ω 1/4W		酸化金属被膜抵抗	
	R68	WW966900 R. MTL. OXD	10Ω 1/4W		酸化金属被膜抵抗	
	R71-72	WW966900 R. MTL. OXD	10Ω 1/4W		酸化金属被膜抵抗	
△	R74	WB625100 R. MTL. FLM	4.7Ω 1W J		金属被膜抵抗	01
△	R78-79	WB625100 R. MTL. FLM	4.7Ω 1W J		金属被膜抵抗	01
△	R82-83	WB625100 R. MTL. FLM	4.7Ω 1W J		金属被膜抵抗	01
△	R87	WW972500 R. MTL. OXD	2.2KΩ 1/4W		酸化金属被膜抵抗	
△	R90	WW966100 R. MTL. OXD	4.7Ω 1/4W		酸化金属被膜抵抗	
	R105-109	WW966100 R. MTL. OXD	4.7Ω 1/4W		酸化金属被膜抵抗	
△	R112	WW965300 R. MTL. OXD	2.2Ω 1/4W		酸化金属被膜抵抗	
	R214	WW970100 R. MTL. OXD	220Ω 1/4W		酸化金属被膜抵抗	
	R242	WW964500 R. MTL. OXD	1Ω 1/4W		酸化金属被膜抵抗	
	R291	WW965300 R. MTL. OXD	2.2Ω 1/4W		酸化金属被膜抵抗	
	R297	WW965300 R. MTL. OXD	2.2Ω 1/4W		酸化金属被膜抵抗	
	R314	WJ684700 R. MTL. FLM	82Ω 1W		金属被膜抵抗	01
	R316	WJ684700 R. MTL. FLM	82Ω 1W		金属被膜抵抗	01
	R425	HL004390 R. MTL. OXD	39Ω 1/2W		酸化金属被膜抵抗	01
	R430	WW964500 R. MTL. OXD	1Ω 1/4W		酸化金属被膜抵抗	
	R433	WW964500 R. MTL. OXD	1Ω 1/4W		酸化金属被膜抵抗	
△	RY1-4	WJ122400 RELAY	981-2A-24DS-SP7 DC24V		リレー	04
	RY5	WE648700 RELAY	DC DH24D2-0-Q DC24V		リレー	06
△	SW51	WV382900 SW. SLIDE	SL14	RS	スライドスイッチ	
	TE1	WK560800 TERM. SP	4P MST-204V1-01 NC	JUCRTAS	スピーカーターミナル	04
	TE1	WK560900 TERM. SP	4P MST-204V1-01 WC	KBGFLH	スピーカーターミナル	
	TE2	WB214000 TERM. SP	6P PUSH MSP-115V2		スピーカーターミナル	03
	TH3	V9760200 THRMST. CHP	NCP18XH103J03RB		チップサーミスタ	01
	U201-202	WU204200 CN. PHOTO. R	1P JSR1165-D		光ファイバー受信器	
		WE774200 SCR. BND. HD	3x10 MFZN2W3		バインドBタイトネジ	01

* New Parts * 新規部品

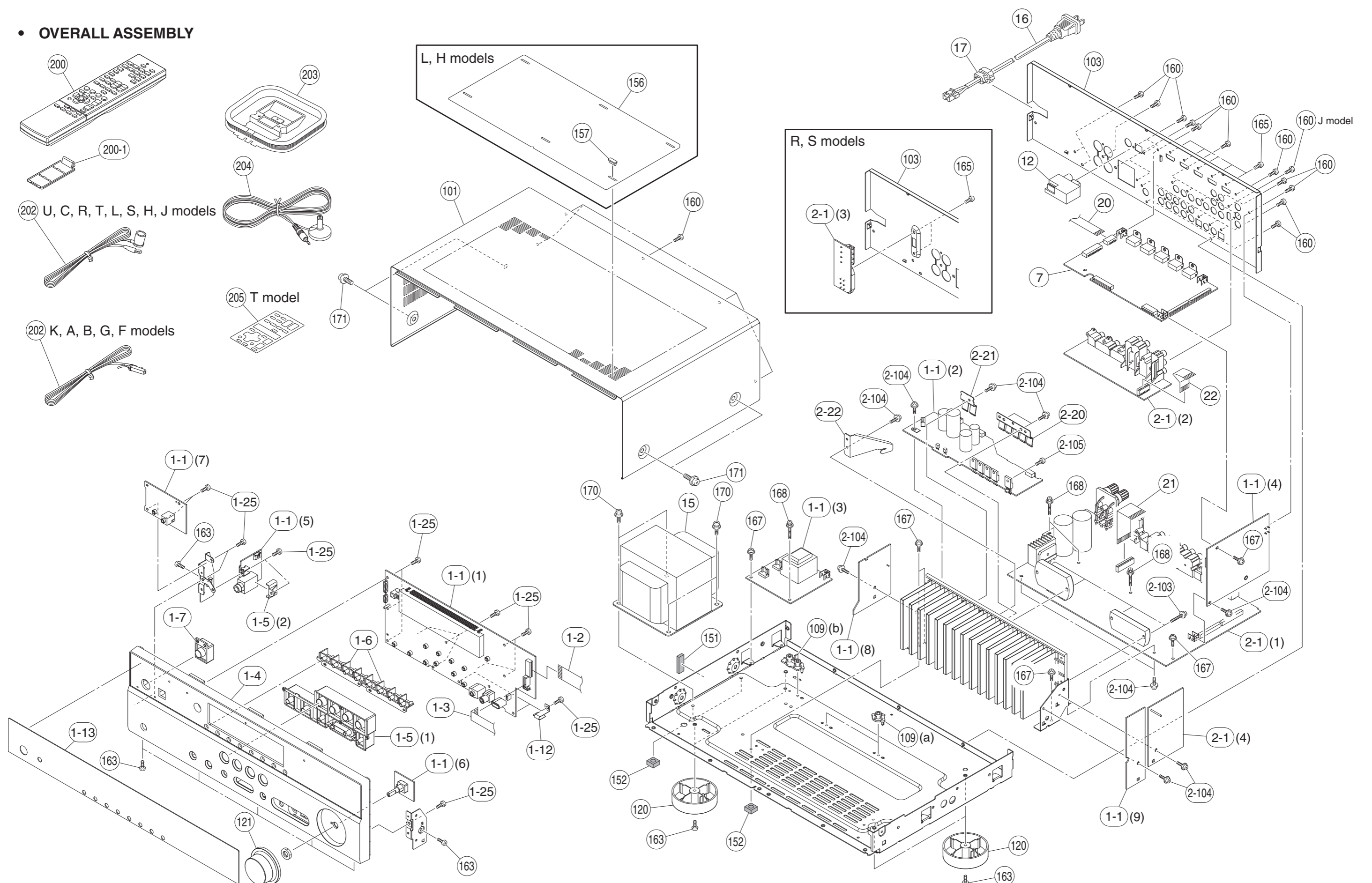
Carbon Resistors

Value	1/4W Type Part No.	1/6W Type Part No.	Value	1/4W Type Part No.	1/6W Type Part No.
1.0 Ω	HJ35 3100	HF85 3100	11 kΩ	HF45 7110	HF45 7110
1.8 Ω	HJ35 3180	*	12 kΩ	HJ35 7120	HF85 7120
2.2 Ω	HJ35 3220	HF85 3220	13 kΩ	HF45 7130	HF45 7130
3.3 Ω	HJ35 3330	HF85 3330	15 kΩ	HF45 7150	HF45 7150
4.7 Ω	HJ35 3470	HF85 3470	18 kΩ	HF45 7180	HF45 7180
5.6 Ω	HJ35 3560	HF85 3560	22 kΩ	HF45 7220	HF45 7220
10 Ω	HF45 4100	HF45 4100	24 kΩ	HF45 7240	HF45 7240
15 Ω	HJ35 4150	HF85 4150	27 kΩ	HJ35 7270	HF85 7270
22 Ω	HF45 4220	HF45 4220	30 kΩ	HF45 7300	HF45 7300
27 Ω	HJ35 4270	HF85 4270	33 kΩ	HF45 7330	HF45 7330
33 Ω	HF45 4330	HF45 4330	36 kΩ	HF45 7360	HF45 7360
39 Ω	HJ35 4470	HF85 4390	39 kΩ	HF45 7390	HF45 7390
47 Ω	HF45 4470	HF45 4470	47 kΩ	HF45 7470	HF45 7470
56 Ω	HF45 4560	HF45 4560	51 kΩ	HF45 7510	HF45 7510
68 Ω	HF45 4680	HF45 4680	56 kΩ	HF45 7560	HF45 7560
75 Ω	HF45 4750	HF45 4750	62 kΩ	HF45 7620	HF45 7620
82 Ω	HF45 4820	HF45 4820	68 kΩ	HF45 7680	HF45 7680
91 Ω	HF45 4910	HF45 4910	82 kΩ	HF45 7820	HF45 7820
100 Ω	HF45 5100	HF45 5100	91 kΩ	HF45 7910	HF45 7910
110 Ω	HJ35 5110	HF85 5110	100 kΩ	HF45 8100	HF45 8100
120 Ω	HF45 5120	HF45 5120	110 kΩ	HF45 8110	HF45 8110
150 Ω	HF45 5150	HF45 5150	120 kΩ	HF45 8120	HF45 8120
160 Ω	HJ35 5160	*	130 kΩ	HF45 8130	*
180 Ω	HF45 5180	HF45 5180	150 kΩ	HF45 8150	HF45 8150
200 Ω	HF45 5200	HF45 5200	180 kΩ	HF45 8180	HF45 8180
220 Ω	HF45 5220	HF45 5220	220 kΩ	HJ35 8220	HF85 8220
270 Ω	HF45 5270	HF45 5270	270 kΩ	HF45 8270	HF45 8270
330 Ω	HF45 5330	HF45 5330	300 kΩ	HF45 8300	HF45 8300
390 Ω	HF45 5390	HF45 5390	330 kΩ	HF45 8330	HF45 8330
430 Ω	HF45 5430	HF45 5430	390 kΩ	HJ35 8390	HF85 8390
470 Ω	HF45 5470	HF45 5470	470 kΩ	HF45 8470	HF45 8470
510 Ω	HF45 5510	HF45 5510	560 kΩ	HJ35 8560	HF85 8560
560 Ω	HF45 5560	HF45 5560	680 kΩ	HJ35 8680	HF85 8680
680 Ω	HF45 5680	HF45 5680	820 kΩ	HJ35 8820	HF85 8820
820 Ω	HF45 5820	HF45 5820	1.0 MΩ	HF45 9100	HF45 9100
910 Ω	HF45 5910	HF45 5910	1.2 MΩ	HJ35 9120	*
1.0 kΩ	HF45 6100	HF45 6100	1.5 MΩ	HJ35 9150	HF85 9150
1.2 kΩ	HF45 6120	HF45 6120	1.8 MΩ	HJ35 9180	HF85 9180
1.5 kΩ	HF45 6150	HF45 6150	2.2 MΩ	HJ35 9220	HF85 9220
1.8 kΩ	HF45 6180	HF45 6180	3.3 MΩ	HJ35 9330	HF85 9330
2.0 kΩ	HJ35 6200	HF85 6200	3.9 MΩ	HJ35 9390	*
2.2 kΩ	HF45 6220	HF45 6220	4.7 MΩ	HJ35 9470	HF85 9470
2.4 kΩ	HJ35 6240	HF85 6240			
2.7 kΩ	HF45 6270	HF45 6270			
3.0 kΩ	HF45 6300	HF45 6300			
3.3 kΩ	HF45 6330	HF45 6330			
3.6 kΩ	HJ35 6360	HF85 6360			
3.9 kΩ	HF45 6390	HF45 6390			
4.7 kΩ	HF45 6470	HF45 6470			
5.1 kΩ	HF45 6510	HF45 6510			
5.6 kΩ	HF45 6560	HF45 6560			
6.8 kΩ	HF45 6680	HF45 6680			
8.2 kΩ	HF45 6820	HF45 6820			
9.1 kΩ	HF45 6910	HF45 6910			
10 kΩ	HF45 7100	HF45 7100			



* : Not available

• OVERALL ASSEMBLY



Ref No.	Part No.	Description	Remarks	Markets	部 品 名	ランク
* 1-1	ZA305000	P. C. B. ASSEMBLY	OPERATION	J	PCB OPERATION	
* 1-1	ZA305100	P. C. B. ASSEMBLY	OPERATION	UC	PCB OPERATION	
* 1-1	ZA305200	P. C. B. ASSEMBLY	OPERATION	RS	PCB OPERATION	
* 1-1	ZC223100	P. C. B. ASSEMBLY	OPERATION	T	PCB OPERATION	
* 1-1	ZA305300	P. C. B. ASSEMBLY	OPERATION	KABGFLH	PCB OPERATION	
* 1-2	WV537800	FLEXIBLE FLAT CABLE	17P 180mm P=1.25		カード電線	
1-3	WR382900	FLEXIBLE FLAT CABLE	9P 180mm P=1.25		カード電線	
* 1-4	ZC601400	FRONT PANEL	GD (Gold)		フロントパネル	
* 1-4	WZ982000	FRONT PANEL	BL (Black)	J	フロントパネル	
* 1-4	WZ981800	FRONT PANEL	BL (Black)	UCRKBGFLSH	フロントパネル	
* 1-4	ZC600700	FRONT PANEL	BL (Black)	T	フロントパネル	
* 1-4	WZ981900	FRONT PANEL	TI (Titanium)		フロントパネル	
1-5	WT829300	BUTTON	SCENE	GD (Gold)	ボタン	
1-5	WT829100	BUTTON	SCENE	BL (Black)	ボタン	
1-5	WT829200	BUTTON	SCENE	TI (Titanium)	ボタン	
* 1-6	WZ199100	BUTTON	TUNER		ボタン	
1-7	WT829600	BUTTON	POWER		ボタン	
1-12	WU200600	EARTH PLATE			アースプレート	
* 1-13	WZ983200	WINDOW SHEET	RX-V373	JUCRKBGFLSH	ウインドウシート	
* 1-13	WZ983300	WINDOW SHEET	HTR-3065	UCRKBGFLSH	ウインドウシート	
* 1-13	ZC594700	WINDOW SHEET	RX-V373	T	ウインドウシート	
* 1-13	ZC594800	WINDOW SHEET	HTR-3065	T	ウインドウシート	
1-25	WE774800	BIND HEAD P-TIGHT SCREW	3x8 MFZN2W3		バインドPタイトネジ	01
* 2-1	ZA304300	P. C. B. ASSEMBLY	MAIN	J	PCB MAIN	
* 2-1	ZA304400	P. C. B. ASSEMBLY	MAIN	UC	PCB MAIN	
* 2-1	ZA304500	P. C. B. ASSEMBLY	MAIN	RS	PCB MAIN	
* 2-1	ZA304600	P. C. B. ASSEMBLY	MAIN	KABGFLH	PCB MAIN	
2-20	WG451000	TRANSISTOR SUPPORT	5P		トランジスタサポート	09
2-21	WT832200	TRANSISTOR SUPPORT	2P		トランジスタサポート	
2-22	WW117500	P. C. B. SUPPORT			PCBサポート	
2-103	WE774600	HEXAGONAL HEAD B-TIGHT SCREW	3x18 MFZN2W3		六角付六角Bタイトネジ	01
2-104	WF002600	PW HEAD B-TIGHT SCREW	3x8 MFZN2W3		PWヘッドBタイトネジ	01
2-105	WE774300	BIND HEAD B-TIGHT SCREW	3x8 MFZN2W3		バインドBタイトネジ	01
* 7	ZA305400	P. C. B. ASSEMBLY	DIGITAL	JUCRKBGFLSH	PCB DIGITAL	
* 7	ZC223400	P. C. B. ASSEMBLY	DIGITAL	T	PCB DIGITAL	
12	WY196500	AM/FM TUNER	KST-MW004MS1-S89S	JUCRLSH	AM/FMチューナー	09
12	WY196600	AM/FM TUNER	KST-MW104MS1-S89	KABGF	AM/FMチューナー	
△ * 15	YE153A00	POWER TRANSFORMER		J	電源トランス	
△ * 15	YE154A00	POWER TRANSFORMER		UC	電源トランス	
△ * 15	YE158A00	POWER TRANSFORMER		RS	電源トランス	
△ * 15	YE156A00	POWER TRANSFORMER		TK	電源トランス	
△ * 15	YE157A00	POWER TRANSFORMER		ALH	電源トランス	
△ * 15	YE155A00	POWER TRANSFORMER		BGF	電源トランス	
△ 16	WR636300	POWER CABLE	1.8m	J	電源コード	07
△ 16	WB120500	POWER CABLE	2m	UC	電源コード	
△ 16	WC992700	POWER CABLE	2m	R	電源コード	
△ 16	WV836600	POWER CABLE	2m	T	電源コード	05
△ 16	WC753000	POWER CABLE	2m	K	電源コード	
△ 16	WC743700	POWER CABLE	2m	A	電源コード	
△ 16	WB212200	POWER CABLE	2m	B	電源コード	
△ 16	WB212300	POWER CABLE	2m	GFL	電源コード	04
△ * 16	ZC898500	POWER CABLE	1.8m	S	電源コード	
△ 16	WY094600	POWER CABLE	1.8m	H	電源コード	
17	V2438700	CORD STOPPER	10P1		コードストッパー	02
20	WV528500	FLEXIBLE FLAT CABLE	9P 90mm P=1.25		カード電線	

* New Parts * 新規部品

Ref No.	Part No.	Description	Remarks	Markets	部 品 名	ランク	
21	WR395700	FLEXIBLE FLAT CABLE	21P 100mm P=1.25		カード電線		
22	WR386600	FLEXIBLE FLAT CABLE	13P 70mm P=1.25		カード電線		
101	WT825100	TOP COVER	GD (Gold)		トップカバー		
101	WT824900	TOP COVER	BL (Black)		トップカバー		
101	WT825000	TOP COVER	TI (Titanium)		トップカバー		
* 103	WZ983400	REAR PANEL	RX-V373	J	リアパネル		
* 103	WZ983500	REAR PANEL	RX-V373	UC	リアパネル		
* 103	WZ984100	REAR PANEL	HTR-3065	UC	リアパネル		
* 103	WZ983600	REAR PANEL	RX-V373	RS	リアパネル		
* 103	WZ984200	REAR PANEL	HTR-3065	RS	リアパネル		
* 103	ZC255600	REAR PANEL	RX-V373	T	リアパネル		
* 103	ZC255700	REAR PANEL	HTR-3065	T	リアパネル		
* 103	WZ983700	REAR PANEL	RX-V373	K	リアパネル		
* 103	WZ984300	REAR PANEL	HTR-3065	K	リアパネル		
* 103	WZ983800	REAR PANEL	RX-V373	A	リアパネル		
* 103	WZ984400	REAR PANEL	HTR-3065	A	リアパネル		
* 103	WZ983900	REAR PANEL	RX-V373	BGF	リアパネル		
* 103	WZ984500	REAR PANEL	HTR-3065	BGF	リアパネル		
* 103	WZ984000	REAR PANEL	RX-V373	LH	リアパネル		
* 103	WZ984600	REAR PANEL	HTR-3065	LH	リアパネル		
109	WA796100	P. C. B. SUPPORT			PCBサポート		
120	WY185000	LEG	D60 H21 black		レッグ		
* 121	WZ872400	KNOB	D52 VOLUME	GD (Gold)	ノブ		
* 121	WZ872200	KNOB	D52 VOLUME	BL (Black)	ノブ		
* 121	WZ872300	KNOB	D52 VOLUME	TI (Titanium)	ノブ		
* 151	ZD535600	CUSHION	8x25 t=5		クッション		
152	WP126800	DAMPER	SCREW MASK		ダンパー	01	
156	WR306100	SHEET	TOP COVER	LH	シート		
157	WJ323900	RIVET	TOP COVER	LH	リベット		
160	WE774100	BIND HEAD BONDING B-T. SCREW	3x8 MFZN2B3		ボンディングBタイトネジ	01	
163	WE774300	BIND HEAD B-TIGHT SCREW	3x8 MFZN2W3		バインドBタイトネジ	01	
165	WE877900	BIND HEAD S-TIGHT SCREW	3x6 MFZN2W3		バインドSタイトネジ	01	
167	WF002600	PW HEAD B-TIGHT SCREW	3x8 MFZN2W3		PWヘッドBタイトネジ	01	
168	WE774600	HEXAGONAL HEAD B-TIGHT SCREW	3x18 MFZN2W3		六角Bタイトネジ	01	
170	WE774700	BIND HEAD S-TIGHT SCREW	4x10 MFZN2W3		バインドSタイトネジ	01	
171	VD069600	PW HEAD S-TIGHT SCREW	4x8-10 MFN133	GD (Gold), TI (Titanium)	PWヘッドSタイトネジ	01	
171	VH313200	PW HEAD S-TIGHT SCREW	4x8-10 MFN13BL	BL (Black)	PWヘッドSタイトネジ	01	
* 200	ZA113500	REMOTE CONTROL	RAV463	000-213240080	JUCRKBGFLSH	リモコン	
* 200	ZA113400	REMOTE CONTROL	RAV462	000-213210050	T	リモコン	
* 200	ZA113300	REMOTE CONTROL	RAV461	000-213210040	A	リモコン	
200-1	AAX82380	BATTERY COVER	Black	CG-2209		電池蓋	03
202	WB212500	FM ANTENNA	1.4m 1pc		JUCRTLSH	FMアンテナ	03
202	WB212400	FM ANTENNA	1.4m 1pc		KABGF	FMアンテナ	
203	WY296700	AM ANTENNA	1.3m 1pc	S0160BL-26		AMアンテナ	04
204	WN649600	YPAO MICROPHONE	6.0m 1pc	EM6022L-HN1700		YPAOマイク	08
* 205	ZC363100	REMOTE CONTROL SHEET	1pc		T	リモコンシート	
* 205		BATTERY	R03, AAA, UM-4 2pcs			単4乾電池	
		SERVICE TOOL				サービスツール	
	WW483800	P. C. B. CHECKING JIG				P. C. B. チェック用具	

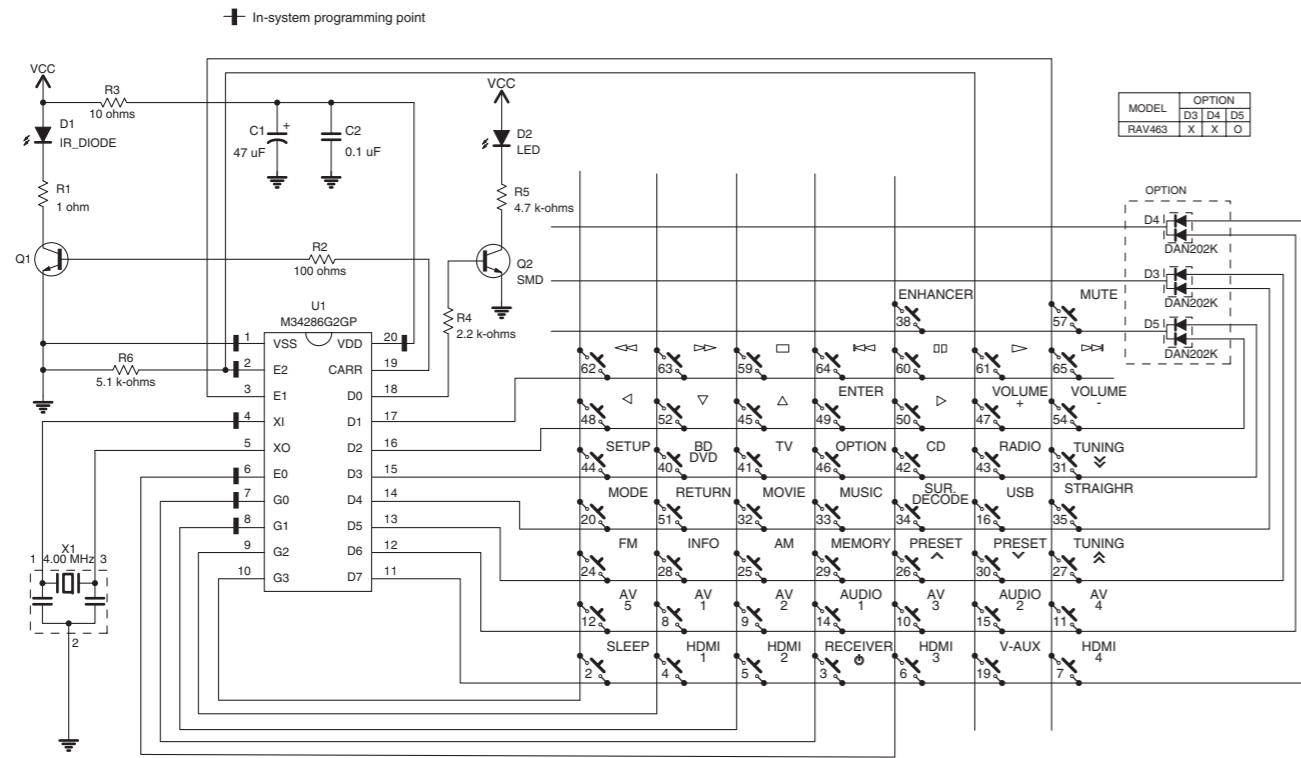
* New Parts * 新規部品

REMOTE CONTROL

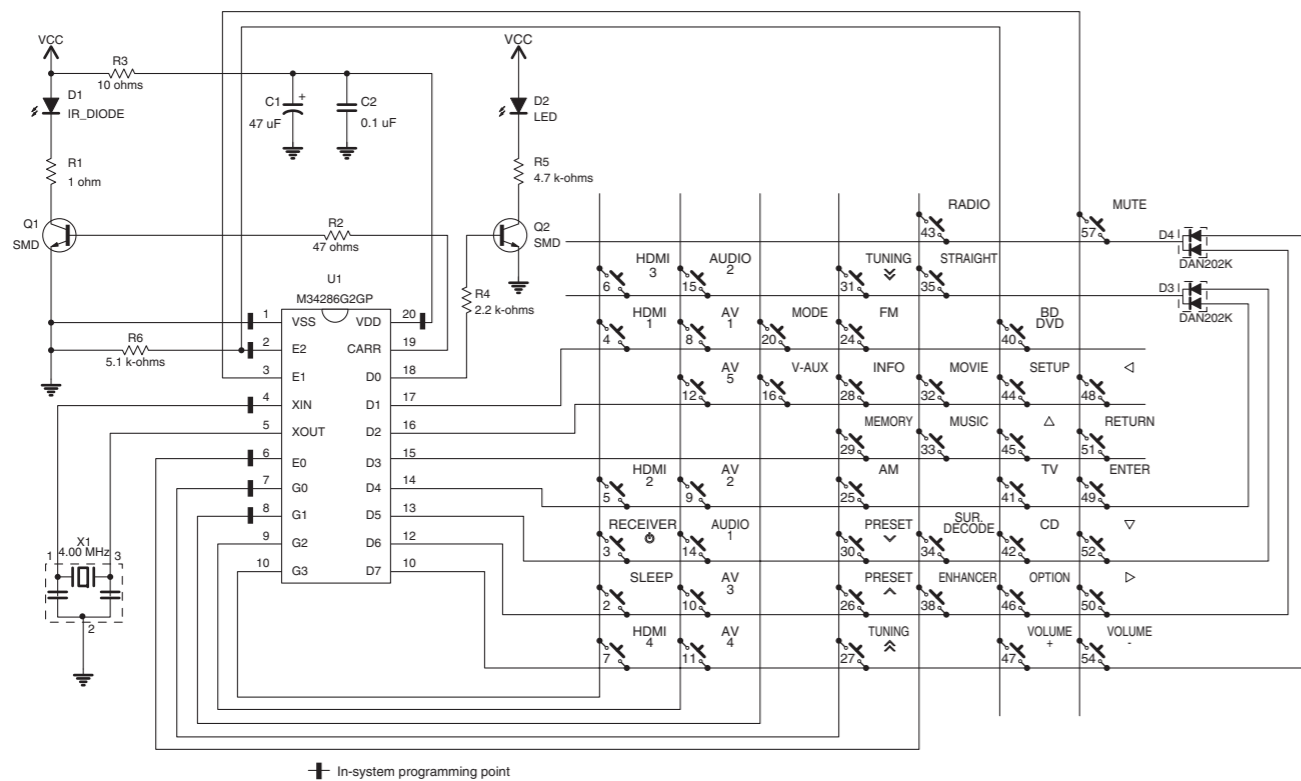
- RAV463: U, C, R, K, B, G, F, L, S, H, J models / RAV462: T model

SCHEMATIC DIAGRAMS

RAV463



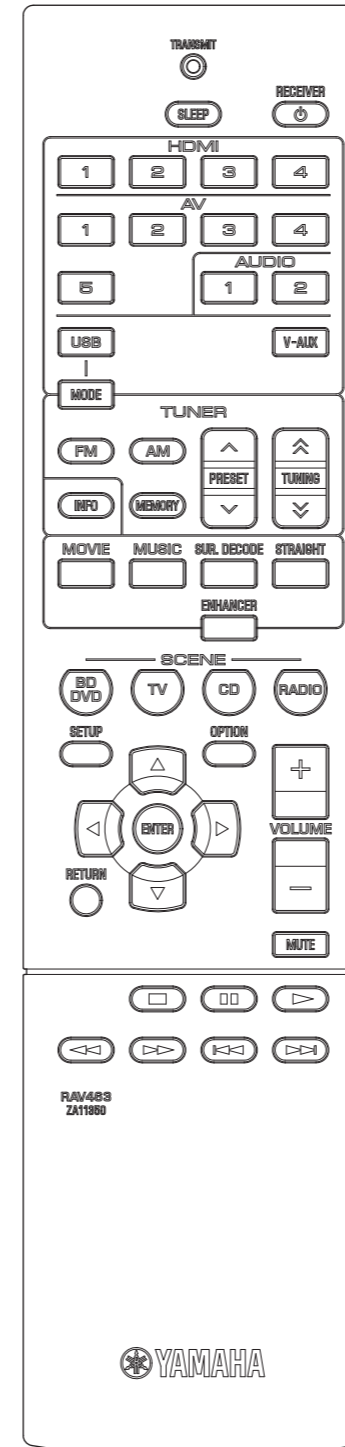
RAV462



PANELS

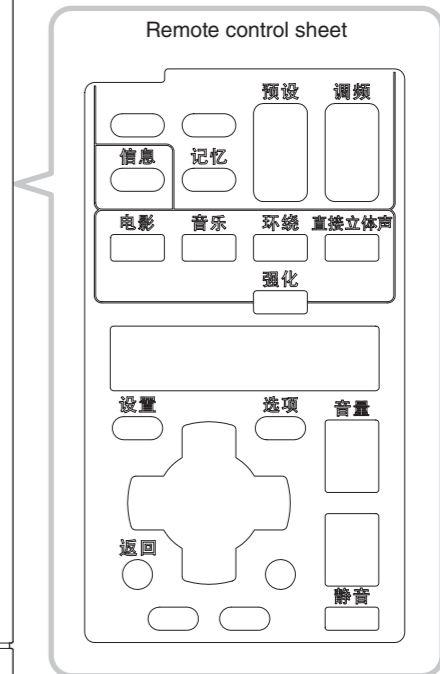
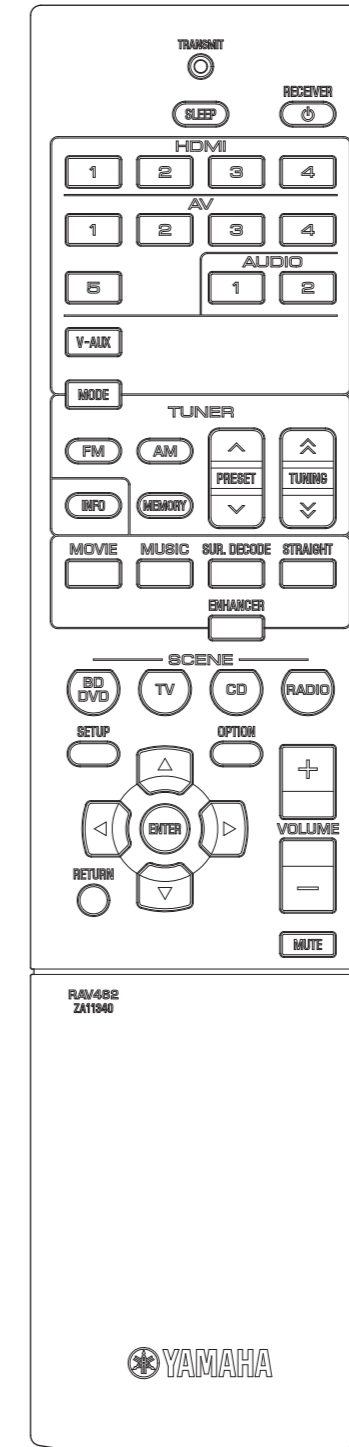
RAV463

(U, C, R, K, B, G, F, L, S, H, J models)

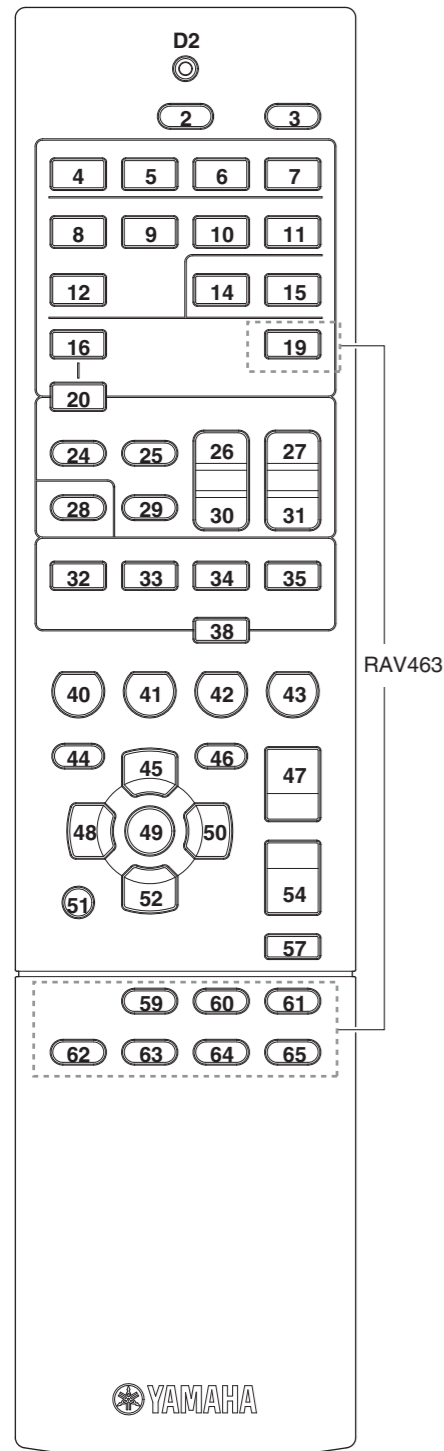


RAV462

(T model)



KEY NO. LAYOUT
RAV463, RAV462



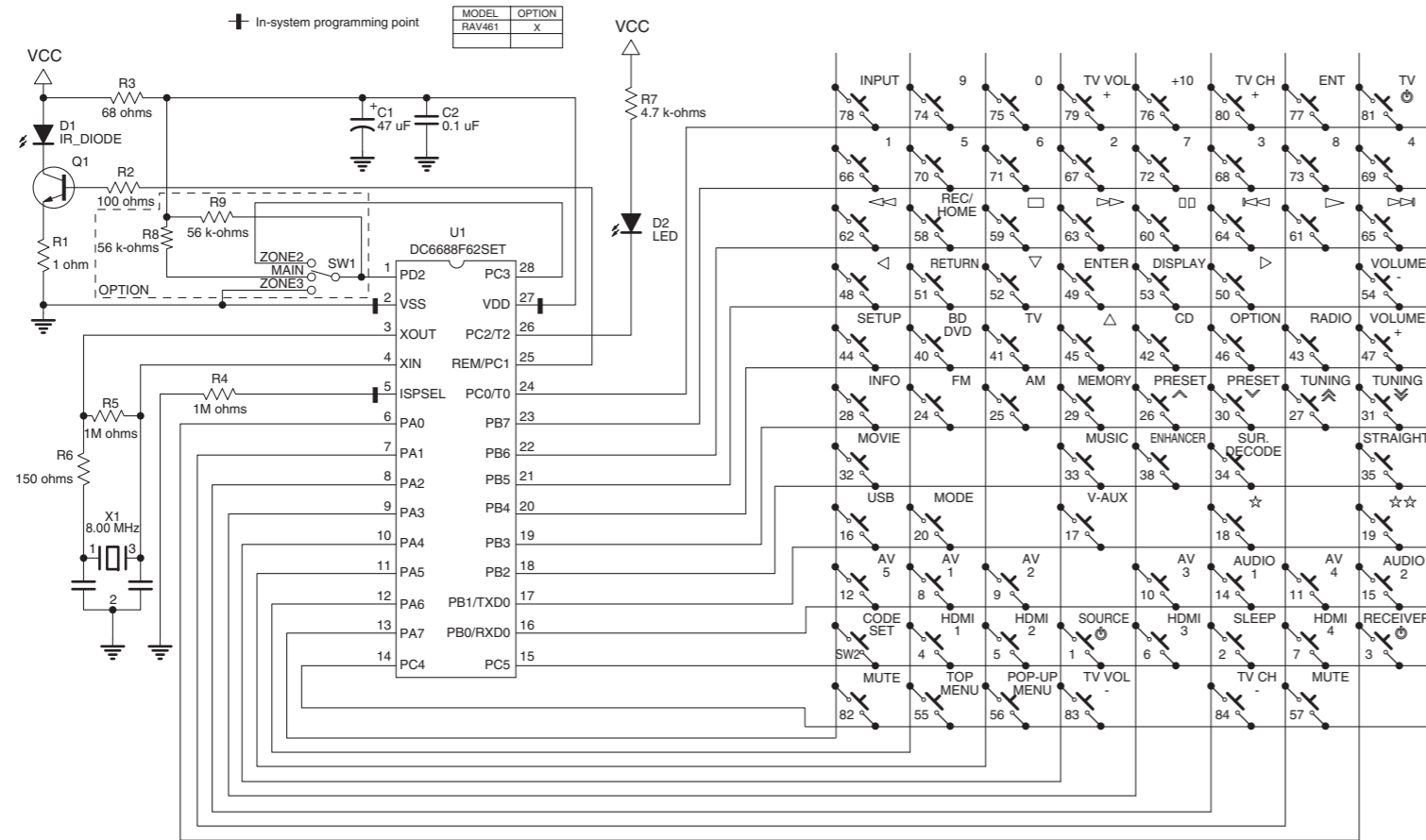
KEY CODE
RAV463, RAV462

Key No.	FUNCTION			ID-1	ID-2
	RAV463	RAV462 (T model)			
	(U, C, R, K, B, G, F, L, S, H, J models)		Remote control sheet		
LED1	TRANSMIT	TRANSMIT		-	-
"RECEIVER" (mode fixed)	K2 SLEEP	SLEEP		7A-30	7A-30CE
	K3 RECEIVER	RECEIVER		7E-2A	7E-2AD4
	K4 HDMI-1	HDMI-1		7A-4738	7A-4739
	K5 HDMI-2	HDMI-2		7A-4A35	7A-4A34
	K6 HDMI-3	HDMI-3		7A-4D32	7A-4D33
	K7 HDMI-4	HDMI-4		7A-502F	7A-502E
	K8 AV-1	AV-1		7A-532C	7A-532D
	K9 AV-2	AV-2		7A-5629	7A-5628
	K10 AV-3	AV-3		7A-5926	7A-5927
	K11 AV-4	AV-4		7A-5C23	7A-5C22
	K12 AV-5	AV-5		7A-5F20	7A-5F21
	K14 AUDIO-1	AUDIO-1		7A-651A	7A-651B
	K15 AUDIO-2	AUDIO-2		7A-6817	7A-6816
	K16 USB	-		7F01-720D	7F01-720C
	-	V-AUX		7A-55	7A-55AB
	K19 V-AUX	-		7A-55	7A-55AB
	K20 MODE	MODE		7F01-66	7F01-6698
	K24 FM	FM		7F01-5827	7F01-5826
	K25 AM	AM		7F01-552A	7F01-552B
	K26 PRESET ^	PRESET ^	预设	7F01-5B24	7F01-5B25
	K27 TUNING ^	TUNING ^	调频	7F01-611E	7F01-611F
	K28 INFO	INFO	信息	7A-2758	7A-2759
	K29 MEMORY	MEMORY	记忆	7F01-6718	7F01-6719
	K30 PRESET v	PRESET v	预设	7F01-5E21	7F01-5E20
	K31 TUNING v	TUNING v	调频	7F01-641B	7F01-641A
	K32 MOVIE	MOVIE	电影	7A-88	7A-8876
	K33 MUSIC	MUSIC	音乐	7A-89	7A-8977
	K34 SUR. DECODE	SUR. DECODE	环绕	7A-8D	7A-8D73
	K35 STRAIGHT	STRAIGHT	直接立体声	7A-56	7A-56A8
	K38 ENHANCER	ENHANCER	强化	7A-94	7A-946A
	K40 BD/DVD (SCENE)	BD/DVD (SCENE)		7A-007F	7A-007E
	K41 TV (SCENE)	TV (SCENE)		7A-037C	7A-037D
	K42 CD (SCENE)	CD (SCENE)		7A-0679	7A-0678
	K43 RADIO (SCENE)	RADIO (SCENE)		7A-0976	7A-0977
	K44 SETUP	SETUP	设置	7A-84	7A-847A
	K45 ^ (UP)	^ (UP)		7A-9D	7A-9D63
	K46 OPTION	OPTION	选项	7A-6B14	7A-6B15
	K47 VOLUME (+)	VOLUME (+)	音量	7A-1A	7A-1AE4

Key No.	FUNCTION			ID-1	ID-2
	RAV463	RAV462 (T model)			
	(U, C, R, K, B, G, F, L, S, H, J models)		Remote control sheet		
"RECEIVER" (mode fixed)	K48 < (LEFT)	< (LEFT)		7A-9F	7A-9F61
	K49 ENTER	ENTER		7A-DE	7A-DE20
	K50 > (RIGHT)	> (RIGHT)		7A-9E	7A-9E60
	K51 RETURN	RETURN	返回	7A-AA	7A-AA54
	K52 v (DOWN)	v (DOWN)		7A-9C	7A-9C62
	K54 VOLUME (-)	VOLUME (-)	音量	7A-1B	7A-1BE5
	K57 MUTE	MUTE	静音	7A-1C	7A-1CE2
	K59 □ (STOP)	-		7F01-69	7F01-6997
	K60 □□ (PAUSE)	-		7F01-67	7F01-6799
	K61 ▷ (PLAY)	-		7F01-68	7F01-6896
	K62 << (REW)	-		7F01-6A	7F01-6A94
	K63 >> (FF)	-		7F01-6B	7F01-6B95
	K64 <<< (SKIP -)	-		7F01-6C	7F01-6C92
	K65 >>> (SKIP +)	-		7F01-6D	7F01-6D93

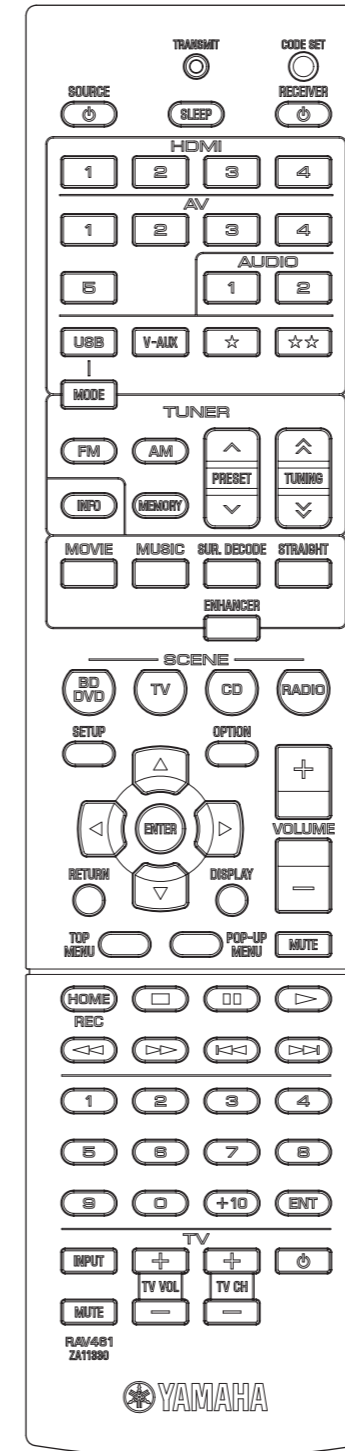
K48 [< (LEFT)] + K40 [SCENE -BD/DVD]	ID-1	
K48 [< (LEFT)] + K41 [SCENE -TV]		ID-2
K50 [> (RIGHT)] + K40 [SCENE -BD/DVD]	MAIN	MAIN

● RAV461: A model
SCHEMATIC DIAGRAM
RAV461

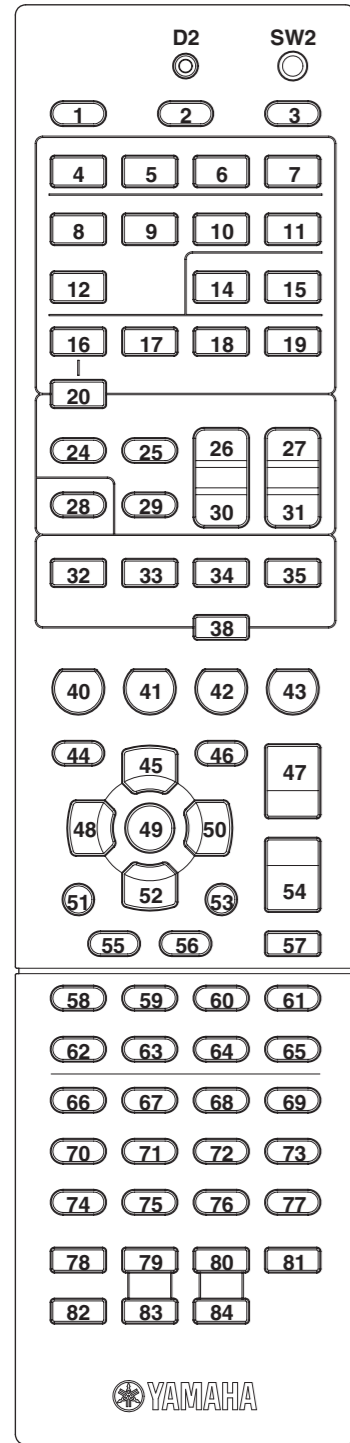


PANEL

RAV461
(A model)



KEY NO. LAYOUT
RAV461



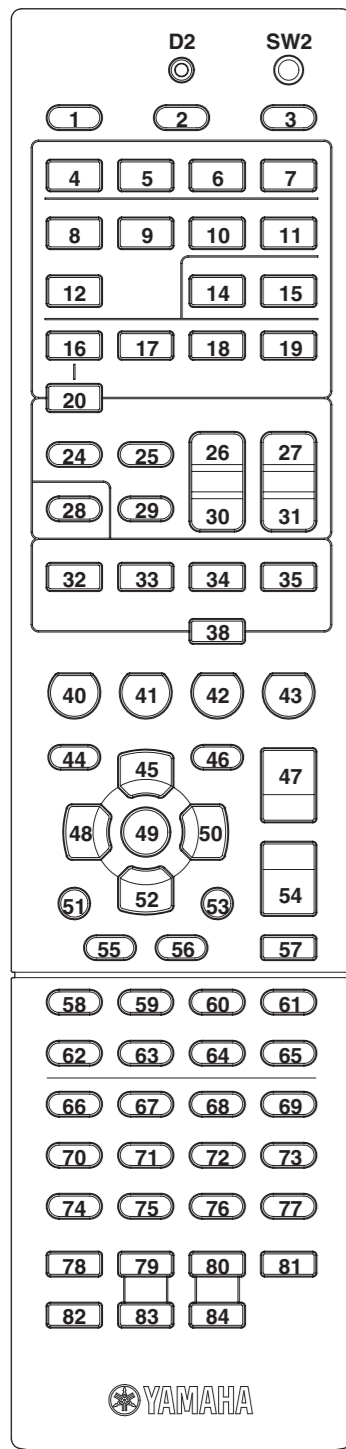
KEY CODE
RAV461
AMP MODE

Key No.	FUNCTION	ID-1 (5019)	ID-2 (5020)
	RAV461 (A model)	MAIN	MAIN
LED1	TRANSMIT	-	-
SW2	CODE SET	[CODE SET]	[CODE SET]
"RECEIVER" (mode fixed)	K2	SLEEP	7A-30 7A-30CE
	K3	RECEIVER \oplus	7E-2A 7E-2AD4
	K4	HDMI-1	7A-4738 7A-4739
	K5	HDMI-2	7A-4A35 7A-4A34
	K6	HDMI-3	7A-4D32 7A-4D33
	K7	HDMI-4	7A-502F 7A-502E
	K8	AV-1	7A-532C 7A-532D
	K9	AV-2	7A-5629 7A-5628
	K10	AV-3	7A-5926 7A-5927
	K11	AV-4	7A-5C23 7A-5C22
	K12	AV-5	7A-5F20 7A-5F21
	K14	AUDIO-1	7A-651A 7A-651B
	K15	AUDIO-2	7A-6817 7A-6816
	K16	USB	7F01-720D 7F01-720C
	K17	V-AUX	7A-55 7A-55AB
	K18	☆	7F01-3F 7F01-3FC1
	K19	☆☆	- -
	K20	MODE	7F01-66 7F01-6698
	K24	FM	7F01-5827 7F01-5826
	K25	AM	7F01-552A 7F01-552B
	K26	PRESET \wedge	7F01-5B24 7F01-5B25
	K27	TUNING \nearrow	7F01-611E 7F01-611F
	K28	INFO	7A-2758 7A-2759
	K29	MEMORY	7F01-6718 7F01-6719
	K30	PRESET \vee	7F01-5E21 7F01-5E20
	K31	TUNING \searrow	7F01-641B 7F01-641A
	K32	MOVIE	7A-88 7A-8876
	K33	MUSIC	7A-89 7A-8977
	K34	SUR. DECODE	7A-8D 7A-8D73
	K35	STRAIGHT	7A-56 7A-56A8
	K38	ENHANCER	7A-94 7A-946A
	K40	BD/DVD (SCENE)	7A-007F 7A-007E
	K41	TV (SCENE)	7A-037C 7A-037D
K42	CD (SCENE)	7A-0679 7A-0678	
K43	RADIO (SCENE)	7A-0976 7A-0977	
K44	SETUP	7A-84 7A-847A	
K46	OPTION	7A-6B14 7A-6B15	
K47	VOLUME (+)	7A-1A 7A-1AE4	
K54	VOLUME (-)	7A-1B 7A-1BE5	
K57	MUTE	7A-1C 7A-1CE2	

K48 [\triangleleft (LEFT)] + K40 [SCENE -BD/DVD]	ID-1	
K48 [\triangleleft (LEFT)] + K41 [SCENE -TV]		ID-2

K50 [\triangle (RIGHT)] + K40 [SCENE -BD/DVD]	MAIN	MAIN
--	------	------

RAV461



RAV461
SOURCE MODE

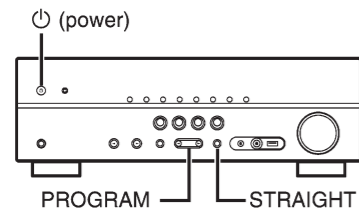
Key No.	FUNCTION RAV461 (A model)	IR code in "RECEIVER" mode		IR code in "SOURCE" mode	K25	K24	K19	K18	K17	K16	K15	K14	K12	K11	K10	K9	K8	K7	K6	K5	K4
		ID-1 MAIN	ID-2 MAIN	ID-1 / ID-2 MAIN	[AM]	[FM]	[☆☆]	[☆]	[V-AUX]	[USB]	[AUDIO-2]	[AUDIO-1]	[AV-5]	[AV-4]	[AV-3]	[AV-2]	[AV-1]	[HDMI-4]	[HDMI-3]	[HDMI-2]	[HDMI-1]
"SOURCE/RCVR"	K1	SOURCE \odot	7F01-50	7F01-50AE	* RECEIVER *										79-60	* RECEIVER *					
	K45	Δ (UP)	7A-9D	7A-9D63											-						
	K48	\triangleleft (LEFT)	7A-9F	7A-9F61											-						
	K49	ENTER	7A-DE	7A-DE20											-						
	K50	\triangleright (RIGHT)	7A-9E	7A-9E60	* SOURCE *										-						
	K51	RETURN	7A-AA	7A-AA54											-						
	K52	∇ (DOWN)	7A-9C	7A-9C62	* RECEIVER *										-	* RECEIVER *					
	K53	DISPLAY	7F01-60	7F01-609E											79-0A						
	K55	TOP MENU	7A-A0DF	7A-A0DE	* SOURCE *										-						
	K56	POP-UP MENU	7A-A4DB	7A-A4DA	* SOURCE *										-						
	K58	HOME/REC	7F01-66	7F01-6698											7A-4F						
	K59	\square (STOP)	7F01-69	7F01-6997											7A-09						
	K60	$\square\square$ (PAUSE)	7F01-67	7F01-6799											7A-09						
	K61	\triangleright (PLAY)	7F01-68	7F01-6896	* SOURCE *										7A-08	* RECEIVER *					
	K62	\triangleleft (REW)	7F01-6A	7F01-6A94											7A-0D						
	K63	\triangleright (FF)	7F01-6B	7F01-6B95											7A-0C						
	K64	\mathbb{R} (SKIP -)	7F01-6C	7F01-6C92											7A-0B						
	K65	\mathbb{L} (SKIP +)	7F01-6D	7F01-6D93											7A-0A						
	K66	1	7F01-51	7F01-51AF	* SOURCE *										79-11	* RECEIVER *					
	K67	2	7F01-52	7F01-52AC											79-12						
	K68	3	7F01-53	7F01-53AD											79-13						
	K69	4	7F01-54	7F01-54AA											79-14						
	K70	5	7F01-55	7F01-55AB											79-15						
	K71	6	7F01-56	7F01-56A8											79-16						
	K72	7	7F01-57	7F01-57A9											79-17						
	K73	8	7F01-58	7F01-58A6											79-18						
	K74	9	7F01-59	7F01-59A7											79-19						
	K75	0	7F01-5A	7F01-5AA4											79-10						
	K76	+10	7F01-5B	7F01-5BA5											79-1A						
	K77	ENT	7F01-5C	7F01-5CA2											79-0B						
"SOURCE" (mode fixed)	K78	TV -INPUT													* TV -INPUT						
	K79	TV -VOL (+)													* TV -VOL (+)						
	K80	TV -CH (+)													* TV -CH (+)						
	K81	TV \odot	* SOURCE (TV) *												* TV \odot						
	K82	TV -MUTE													* TV -MUTE						
	K83	TV -VOL (-)													* TV -VOL (-)						
	K84	TV -CH (-)													* TV -CH (-)						

■ CONFIGURING THE SYSTEM SETTINGS

Configure the system settings of the unit while viewing the front display.

1 Set the unit to standby mode.

2 While holding down STRAIGHT on the front panel, press $\text{\textcircled{P}}$ (power).



3 Press PROGRAM to select an item.

4 Press STRAIGHT to select a setting.

5 Press $\text{\textcircled{P}}$ (power) to set the unit to standby mode and turn it on again. The new settings take effect.

ADVANCED SETUP menu items

Item	Function
SP IMP. (U, C models)	Changes the speaker impedance setting.
REMOTE ID	Selects the unit's remote control ID.
TU (R, T, K, L, S, H models)	Changes the FM/AM tuning frequency setting.
TV FORMAT	Switches the video signal type of HDMI output.
INIT	Restores the default settings.
UPDATE	Updates the firmware.
VERSION	Checks the version of firmware currently installed on the unit.

Changing the speaker impedance setting (SP IMP.)

(U, C models)

SP IMP. . . 8ΩMIN

Change the unit's speaker impedance settings depending on the impedance of the speakers connected.

Settings

6 Ω MIN	Select this option when you connect 6-ohm speakers to the unit. You can also use 4-ohm speakers as the front speakers.
8 Ω MIN (default)	Select this option when you connect 8-ohm or higher speakers to the unit.

Selecting the remote control ID (REMOTE ID)

REMOTE ID . . ID1

Change the unit's remote control ID so that it matches the remote control's ID (default: ID1). When using multiple Yamaha AV receivers, you can set each remote control with a unique remote control ID for its corresponding receiver.

Settings

ID1 (default), ID2

■ Changing the remote control ID of the remote control



- (Australia model only)
For information on how to change the remote control ID of the remote control, refer to "Supplement for Remote Control" on the supplied CD-ROM.

- 1 To select ID1, hold down the cursor key (<) and SCENE (BD/DVD) together for 3 seconds.
To select ID2, hold down the cursor key (<) and SCENE (TV) together for 3 seconds.

Changing the FM/AM tuning frequency setting (TU)

(R, T, K, L, S, H models)

TU FM50/AM9

Change the FM/AM tuning frequency setting of the unit depending on your listening environment.

Settings

FM100/AM10	Select this when you want to adjust the FM frequency by 100-kHz steps and AM by 10-kHz steps.
FM50/AM9 (default)	Select this when you want to adjust the FM frequency by 50-kHz steps and AM by 9-kHz steps.

Switching the video signal type (TV FORMAT)

TV FORMAT . NTSC

Switch the video signal type of HDMI output so that it matches to the format of your TV. Since the unit automatically selects the video signal type so that it matches to the TV, it is unnecessary to change the setting normally. Change the setting only when images on the TV screen do not appear correctly.

Settings

NTSC, PAL

Default

U, C, R, K, S models: NTSC
T, A, B, G, F, L, H models: PAL

Restoring the default settings (INIT)

INIT CANCEL

Restores the default settings for the unit.

Choices

ALL	Restores the default settings for the unit.
CANCEL	Does not perform an initialization.

Updating the firmware (UPDATE)

(U, C, R, K, A, B, G, F, L, S, H models)

UPDATE USB

New firmware that provides additional features or product improvements will be released as needed. Updates can be downloaded from our website. For details, refer to the information supplied with updates.

■ Firmware update procedure

Do not perform this procedure unless firmware update is necessary. Also, make sure you read the information supplied with updates before updating the firmware.

- 1 Save the downloaded firmware to the root folder of a USB memory device.
- 2 Press PROGRAM on the front panel to select "UPDATE".
- 3 Connect the USB memory device to the USB jack.
- 4 To start firmware update, press INFO on the front panel.

Checking the firmware version (VERSION)

VERSION . . XX.XX

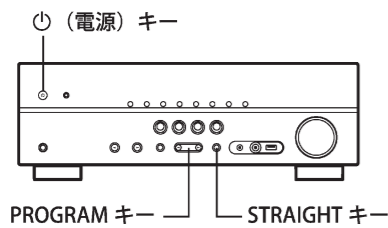
Check the version of firmware currently installed on the unit.

■ システム設定を変更する

前面ディスプレイを見ながら、本機のシステム設定を変更します。

1 本機の電源が入っている場合は、電源をスタンバイにする。

2 前面の STRAIGHT キーを押しながら \odot (電源) キーを押す。



3 PROGRAM キーで設定項目を選ぶ。

4 STRAIGHT キーで設定値を選ぶ。

5 \odot (電源) キーで、電源をスタンバイにしてから再度電源を入れる。
設定変更が反映されます。

アドバンスドセットアップメニューでできること

項目	説明
REMOTE ID	本体側のリモコン ID を変更します。
INIT	各種設定を初期化します。
UPDATE	ファームウェアを更新します。
VERSION	本機にインストールされているファームウェアのバージョンを表示します。

リモコン ID の変更 (REMOTE ID)

REMOTE ID・・・ID1

リモコン側のリモコン ID (初期値：ID1) と一致するよう、本体側のリモコン ID を変更します。

複数のヤマハ製 AV レシーバーをお使いの場合、それぞれのリモコンで各レシーバーを操作するために、リモコン ID が重ならないように設定します。

設定値
ID1 (初期値)、ID2

■ リモコン側のリモコン ID 設定

各手順を 1 分以内に操作してください。前の手順から 1 分経過すると設定が中止されます。

1 ボールペンなどの先の細長いもので、リモコンの CODE SET ボタンを押す。

2 SOURCE/RECEIVER キーを押す。

3 数字キーで「5019」(ID1 に設定) または「5020」(ID2 に設定) を入力する。

設定が完了すると、SOURCE/RECEIVER キーが 2 回点滅します。

6 回点滅した場合は設定失敗です。手順 1 からやり直してください。

設定の初期化 (INIT)

INIT・・・CANCEL

本機の各種設定を初期化します。

選択項目

ALL すべての設定を初期化する。

CANCEL 初期化しない。

ファームウェアの更新 (UPDATE)

UPDATE・・・USB

機能の追加や不具合の改善に応じて、新しいファームウェアを提供します。ファームウェアは弊社ウェブサイトからダウンロードできます。詳しくは、ファームウェア更新時に提供される情報をご確認ください。

■ ファームウェアの更新手順

ファームウェア更新時以外は実行しないでください。また実行前に、更新時に提供される情報を必ずご確認ください。

1 ダウンロードしたファームウェアを USB メモリーのルートフォルダに保存する。

2 前面の PROGRAM キーで「UPDATE」を選ぶ。

3 USB メモリーを USB 端子に接続する。

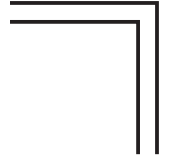
4 ファームウェアの更新を実行するには、前面の INFO キーを押す。

ファームウェアバージョンの確認 (VERSION)

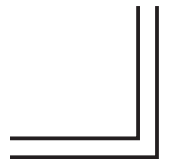
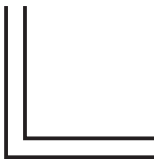
VERSION・・・XX.XX

本機にインストールされているファームウェアのバージョンを表示します。

MEMO



RX-V373/HTR-3065



RX-V373/HTR-3065

