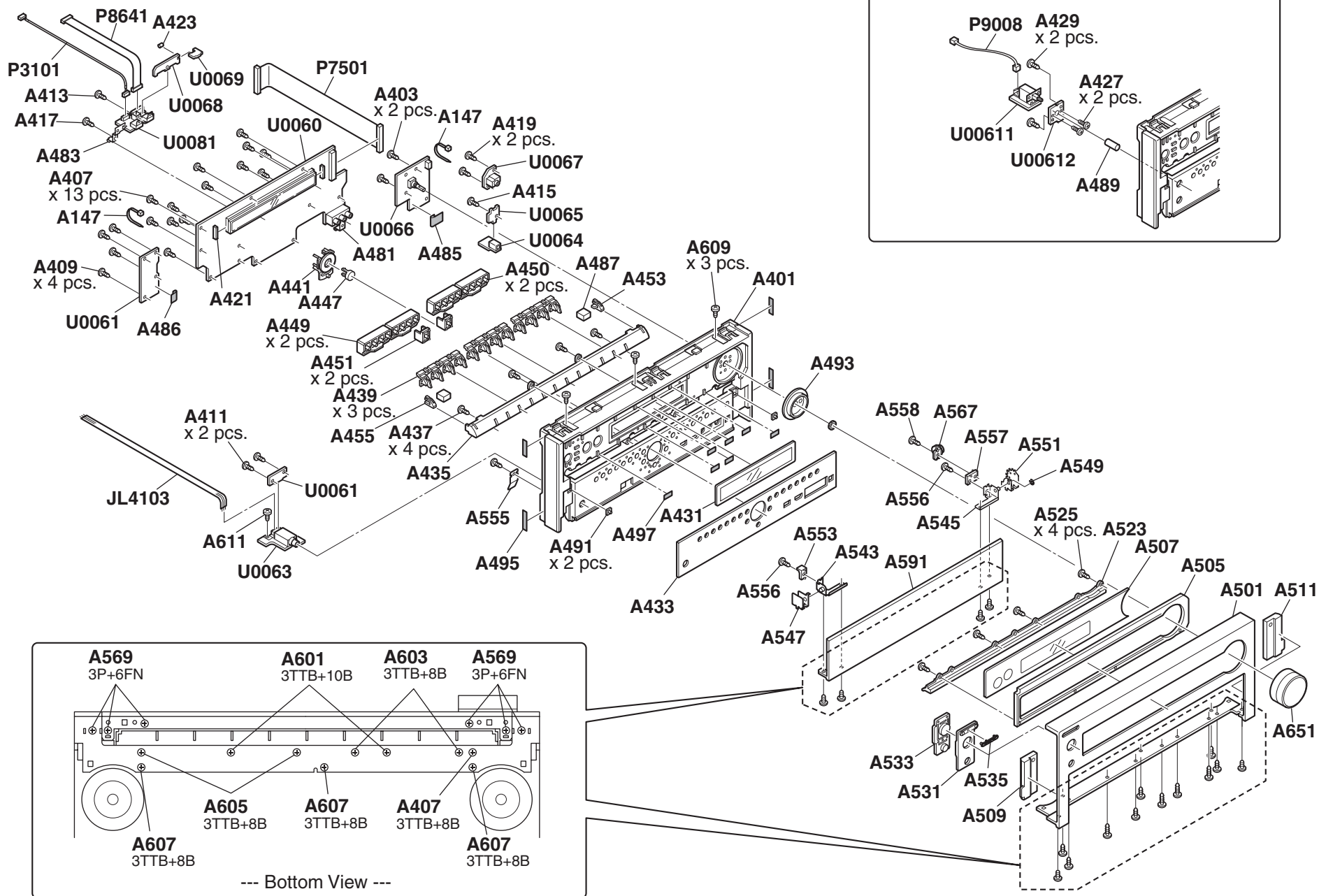
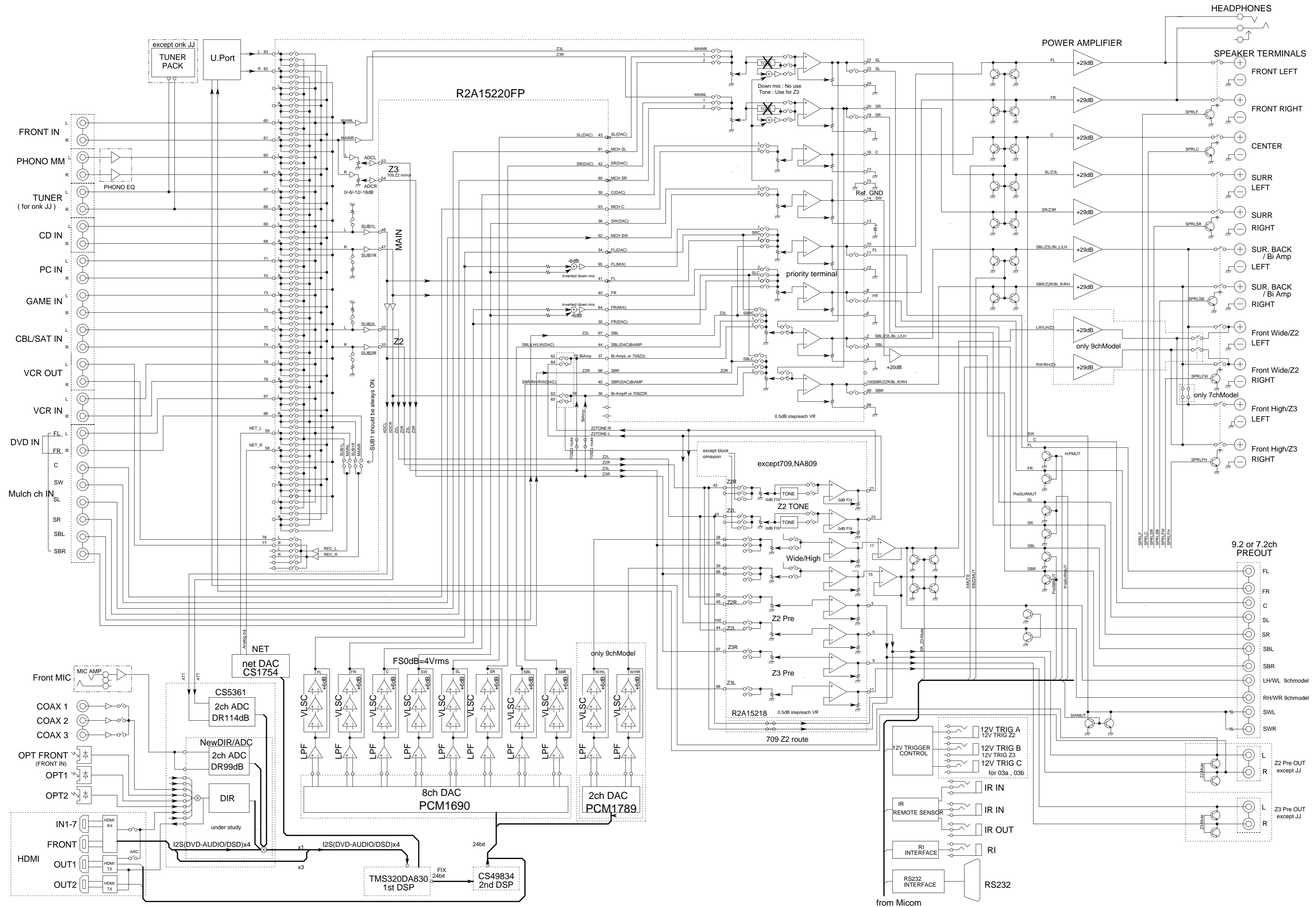


EXPLODED VIEWS-2 FRONT SECTION



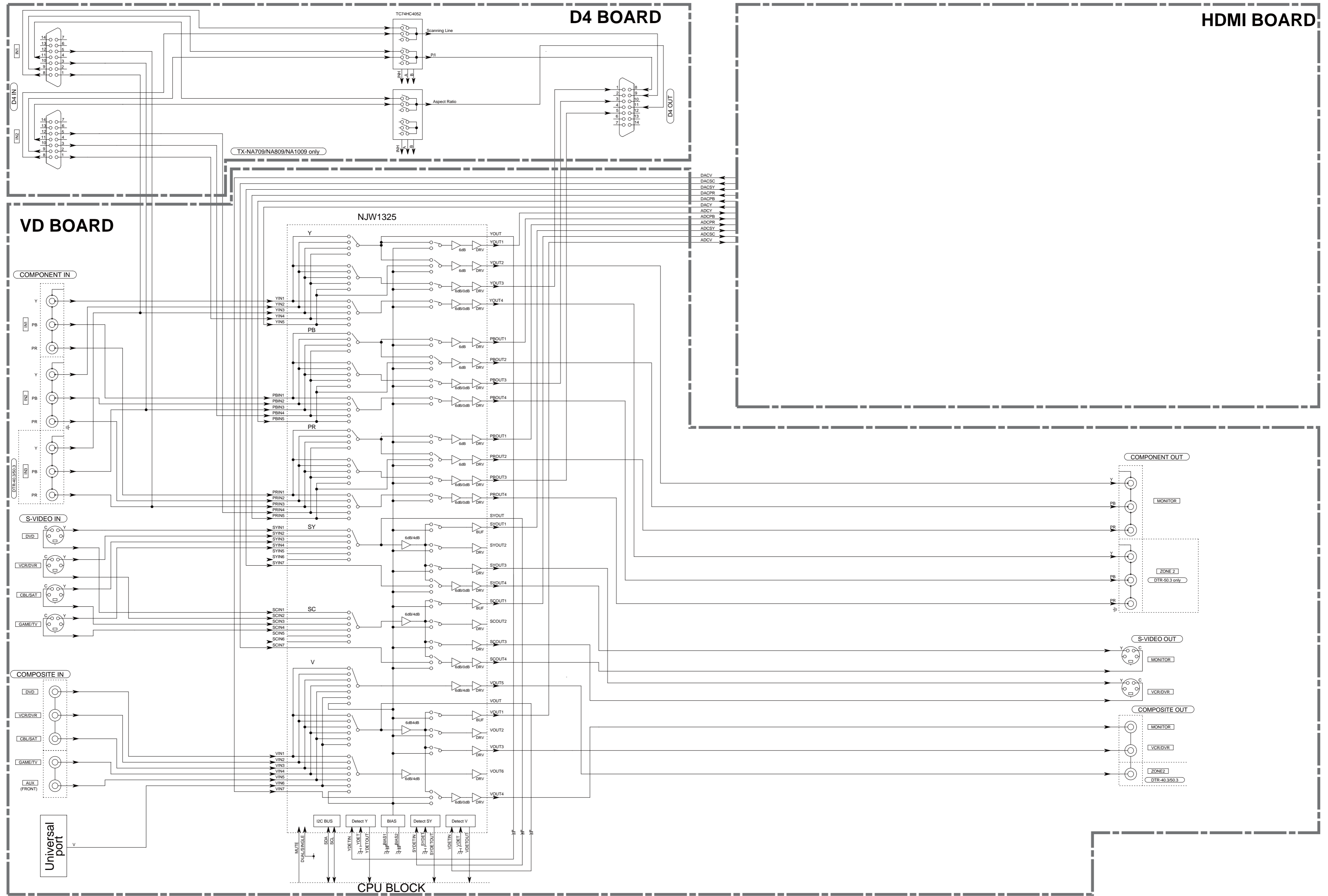
SCHEMATIC DIAGRAM-2
BLOCK DIAGRAM
AUDIO SECTION PART-1

1
2
3
4
5
6
7
8



SCHEMATIC DIAGRAM-3
BLOCK DIAGRAM ANALOG VIDEO BLOCK SECTION
PART-2

1
2
3
4
5
6
7
8



A B C D E F G H

SCHEMATIC DIAGRAM-4

**BLOCK DIAGRAM
HDMI SECTION
PART-3**

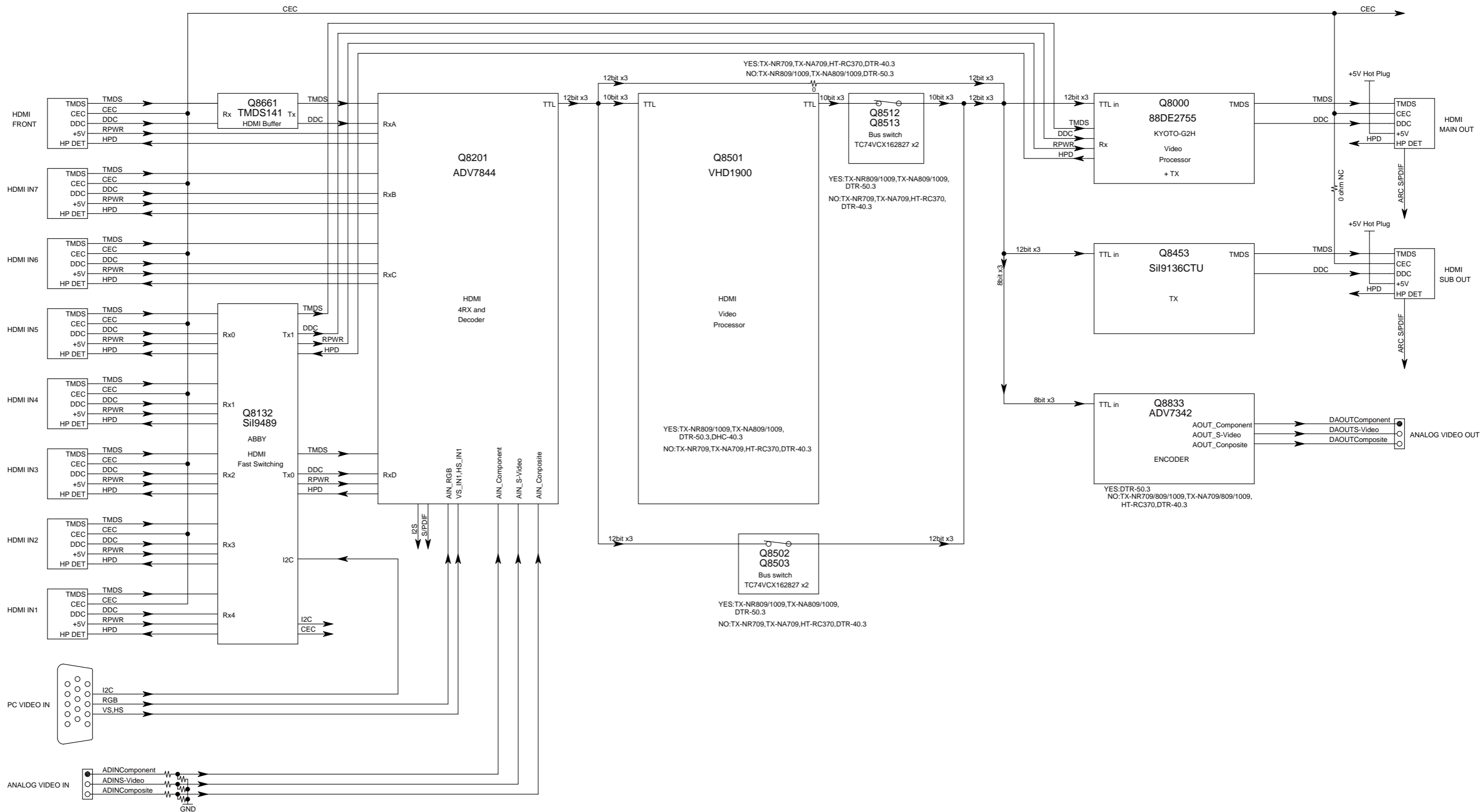
1

2

3

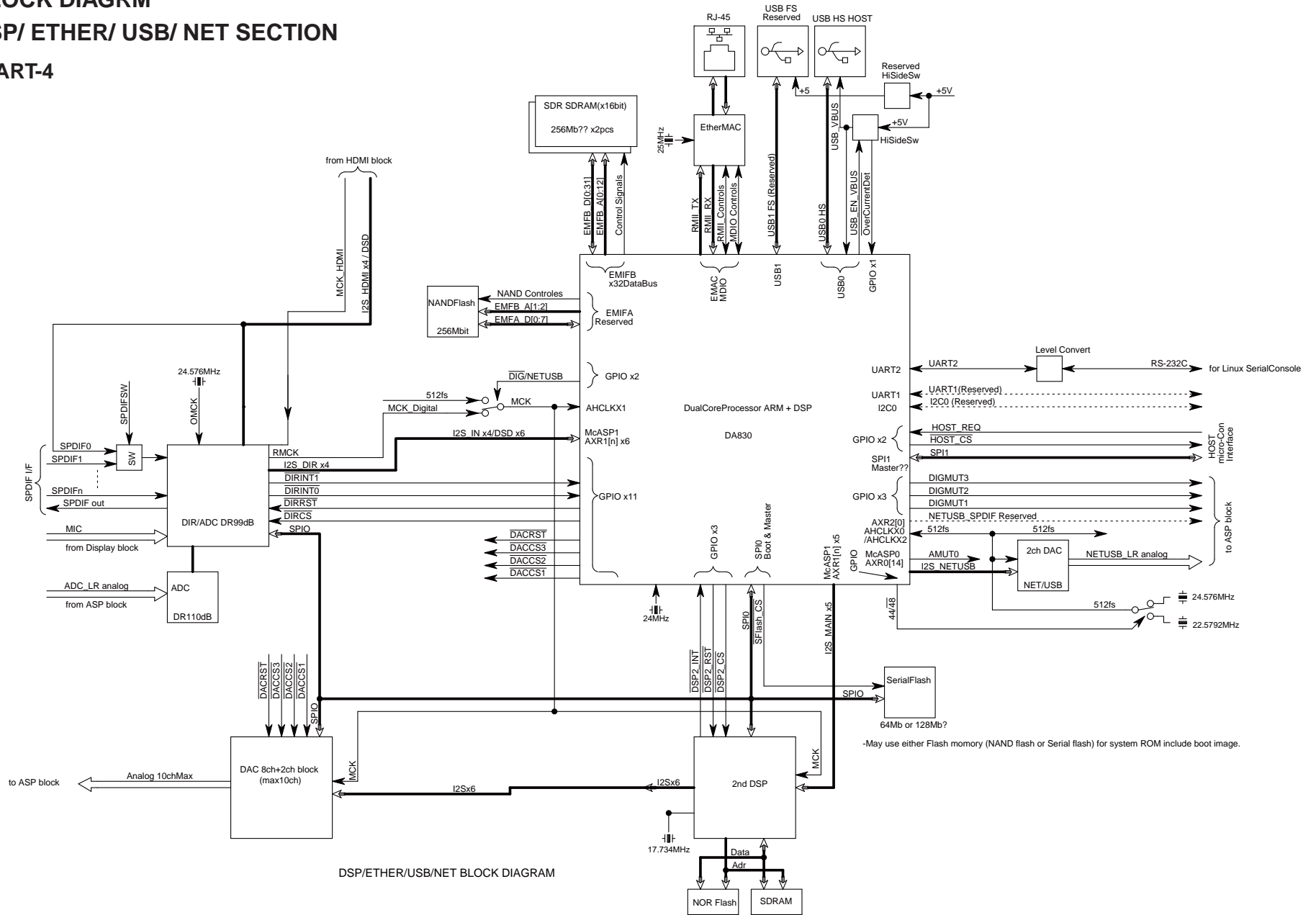
4

5



SCHEMATIC DIAGRAM-5
BLOCK DIAGM
DSP/ ETHER/ USB/ NET SECTION

PART-4



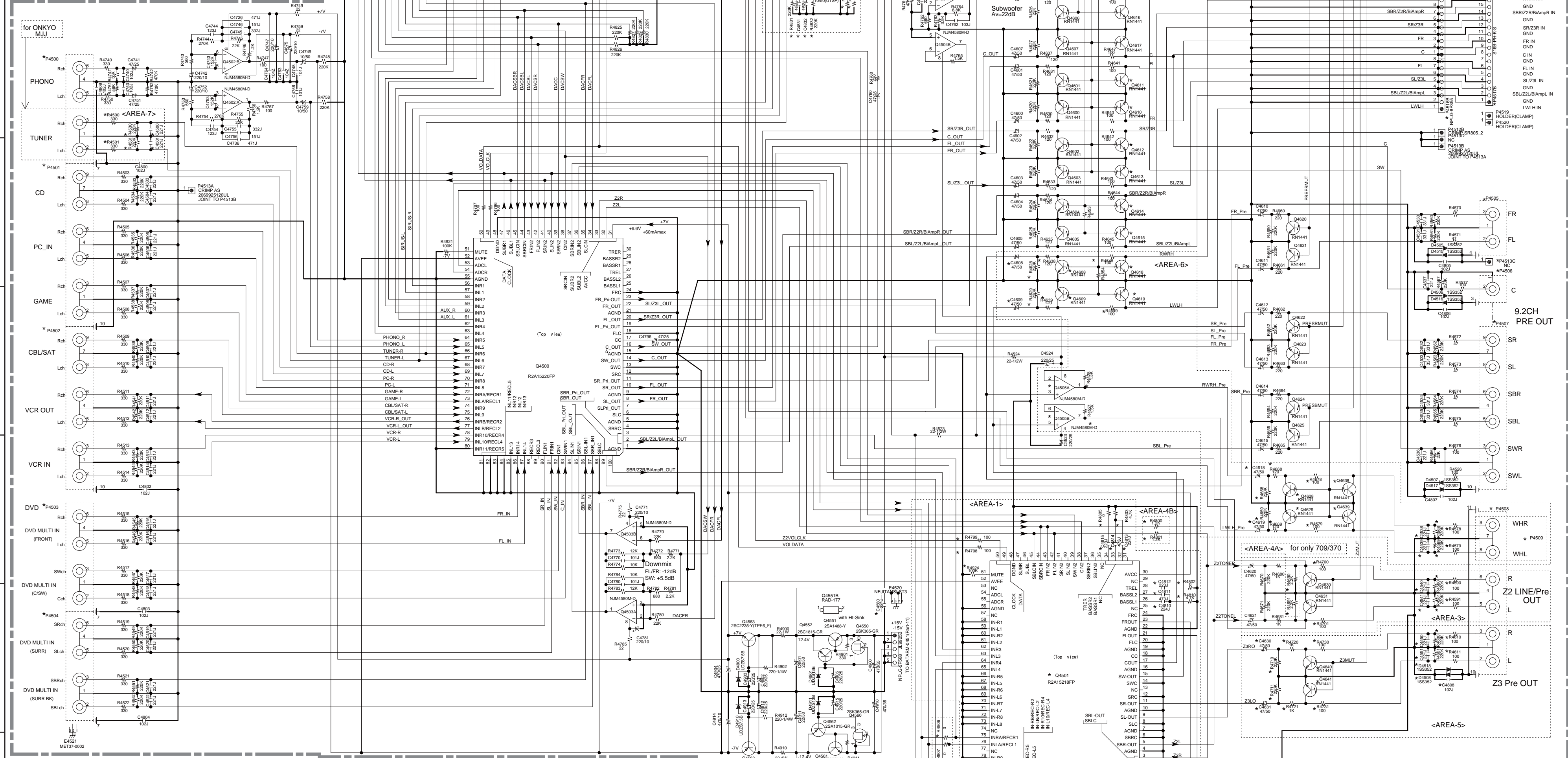
SCHEMATIC DIAGRAM-6
AUDIO INPUT/ OUTPUT SECTION

PART-5

UO040 ASP CIRCUIT PC BOARD

BAASP-0458

P4500	TX Except JJ370	Silver	NPJ-2PDWR558	P4501/4502	TX370	Silver	NPJ-6PDWWR561
	TX JJ	Gold	NPJ-4PDWWR524		DTR	Gold	NPJ-6PDWR565
P4503	DTR	Gold	NPJ-2PDWR583 or NPJ-2PDWR566				
P4504	TX370	Silver	NPJ-4PDGPRV661	P4504	TX370	Silver	NPJ-4PDELENT662
	DTR	Gold	NPJ-4PDGPRV659		DTR	Gold	NPJ-4PDELENT660
P4505	TX370	Silver	NPJ-2PDWR558	P4505	TX370	Silver	NPJ-1PDF546
	DTR	Gold	NPJ-2PDWR583 or NPJ-2PDWR566		DTR	Gold	NPJ-1PDF713
P4507	TX370	Silver	NPJ-6PDELENT701	P4509	TX370	Silver	NPJ-2PDWR558
	DTR	Gold	NPJ-6PDELENT702		1009J	Silver	NPJ-2PDWR558
P4508	709 Except JJ370	Silver	NPJ-2PDWR558				
	TX JJ	Gold	NPJ-2PDWR583 or NPJ-2PDWR566				
	809 Except JJ	Silver	NPJ-4PDWWR524				
	50.3	Gold	NPJ-4PDWR583				
	1009 Except JJ	Silver	NPJ-6PDWWR561				



	Z2/Z3 IC	NON Z2/Z3 IC	Z2 OUT	NON Z2/Z3 IC	Z3 OUT	WHL/ WHR	Tuner Terminal	Tuner Pack	Z2 OUT	Z3 OUT	WHL/ WHR	
709 w/o JJ.370	ALL	---	---	---	---	---	---	---	---	---	---	709 w/o JJ.370
709 JJ	MAJ	---	---	---	---	---	---	---	---	---	---	709 JJ
40.3	ALL	---	---	---	---	---	---	---	---	---	---	40.3
809 w/o JJ	ALL	---	---	---	---	---	---	---	---	---	---	809 w/o JJ
809 JJ	MAJ	---	---	---	---	---	---	---	---	---	---	809 JJ
50.3	ALL	---	---	---	---	---	---	---	---	---	---	50.3
1009 w/o JJ	ALL	---	---	---	---	---	---	---	---	---	---	1009 w/o JJ
1009 JJ	MAJ	---	---	---	---	---	---	---	---	---	---	1009 JJ

O = mount --- = no mount

SCHEMATIC DIAGRAM-7
AMP. FINAL STAGE SECTION

PART-6

U0011 V-AMP. CIRCUIT PC BOARD
BACLA-0445

U001 BAAMP-0444(2/2)

BACLA-0445

ADJUSTMENT OF IDLING CURRENT

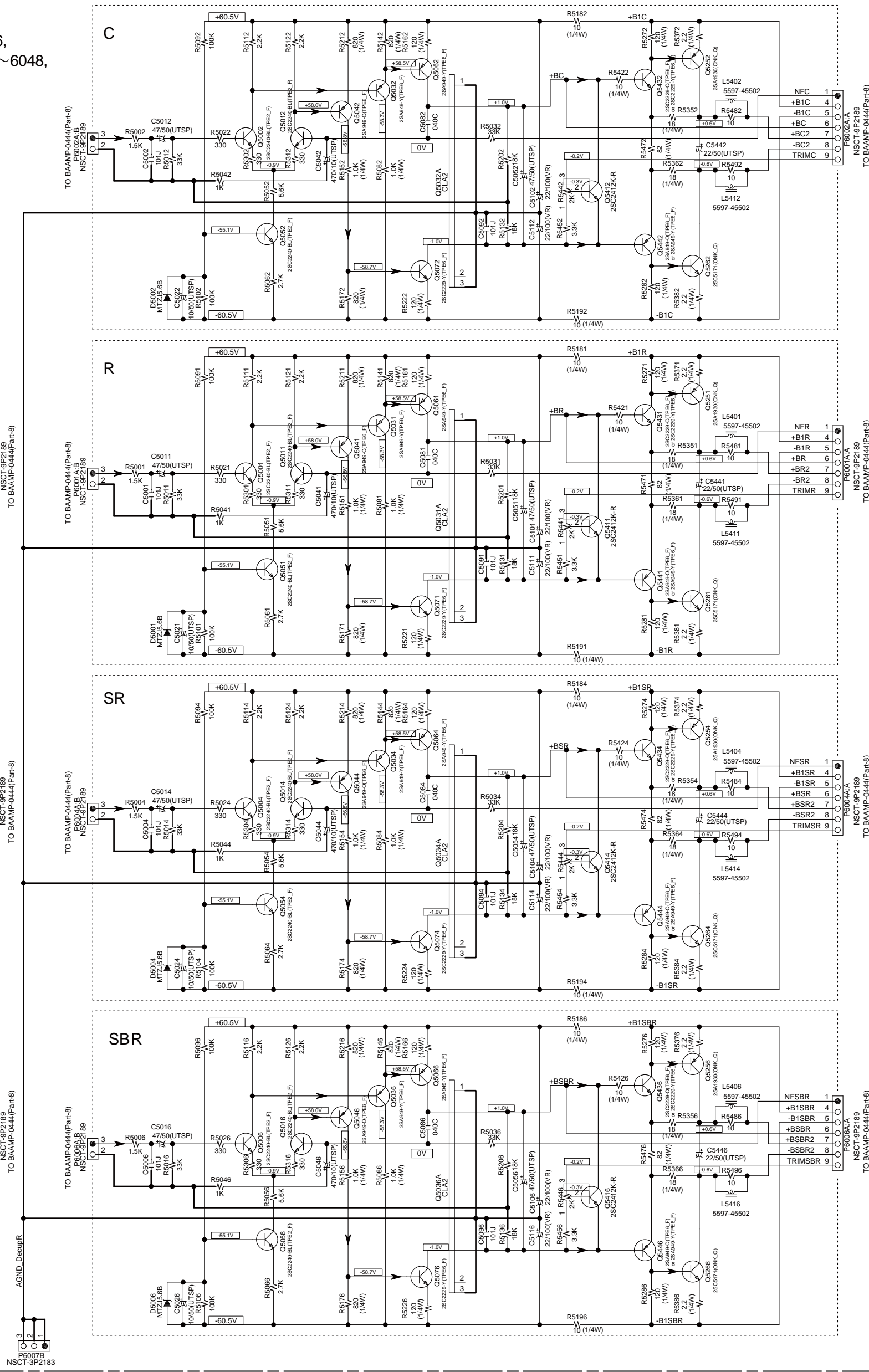
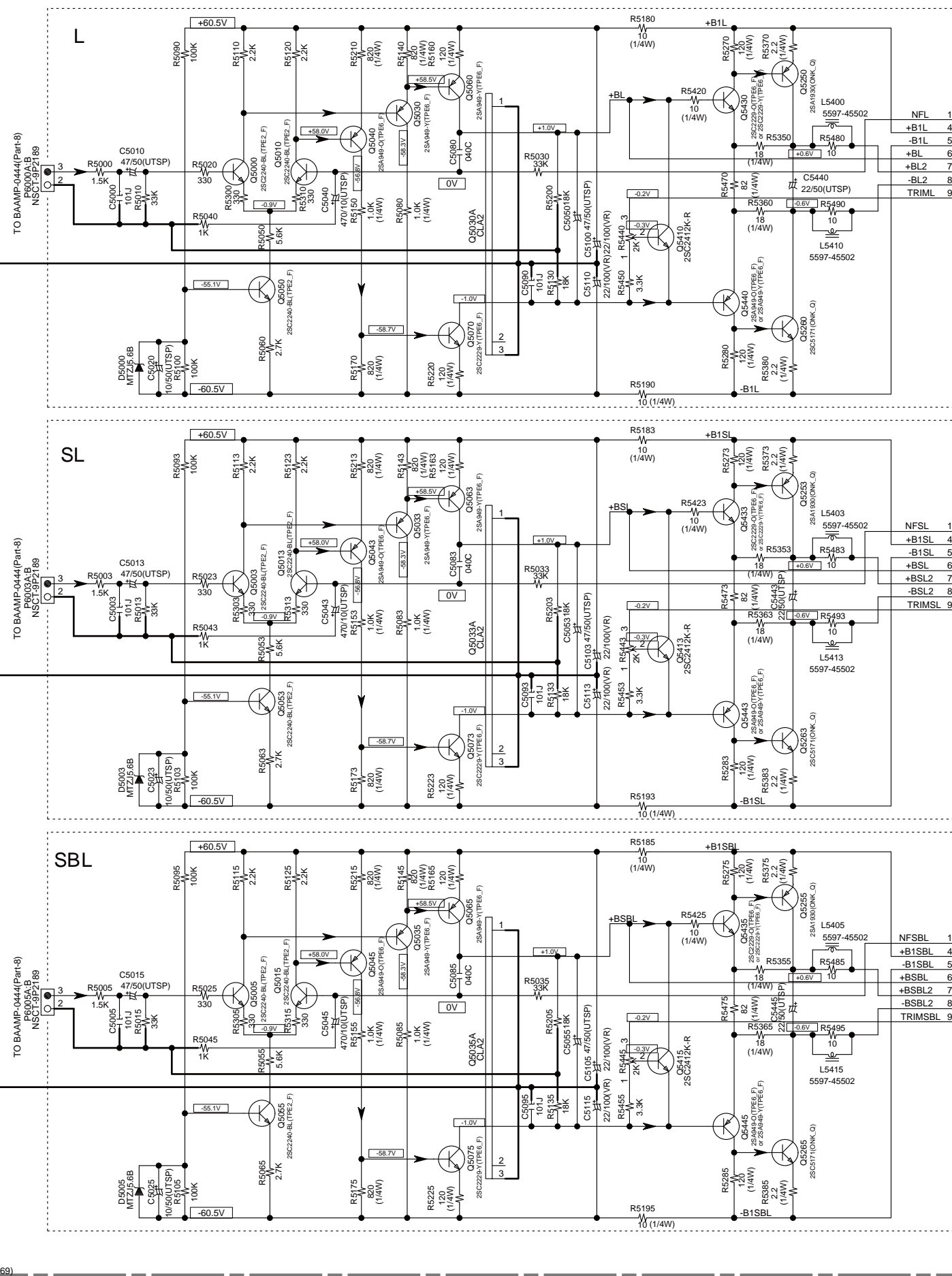
- Set the voltages at P6090~6096(NR709/NA709/DTR40.3/HTRC370) to 1.5mV by adjusting R5440~5446. Set the voltages at P6070~6078(NR809/NA809/NR1009/NA1009/DTR50.3) to 3mV by adjusting R6040~6048, under the condition of no input and no load, immediately after POWER ON.
- Re-adjust by following procedure after 4~6 minutes of heat running.

	L/C/R		SL/SR/SBL/SBR/FHL/FHR		
Below	4mV	4mV	Below	4mV	4mV
Between	4~6mV	Leave it as it is.	Between	4~6mV	Leave it as it is.
Over	6mV	6mV	Over	6mV	6mV

※Only TX-NR1009/NA1009 adjust FHL/FHR.

*Set R5440-5446/R6040-6048 to minimum position before POWER ON.

*Equip series 1/4W 100-ohm resistors near the terminal respectively in the each poles of the jig used for P6080-6086/P6070-6078 terminals.



SCHEMATIC DIAGRAM-8
VOLTAGE AMP. SECTION
PART-7

ADJUSTMENT OF IDLING CURRENT

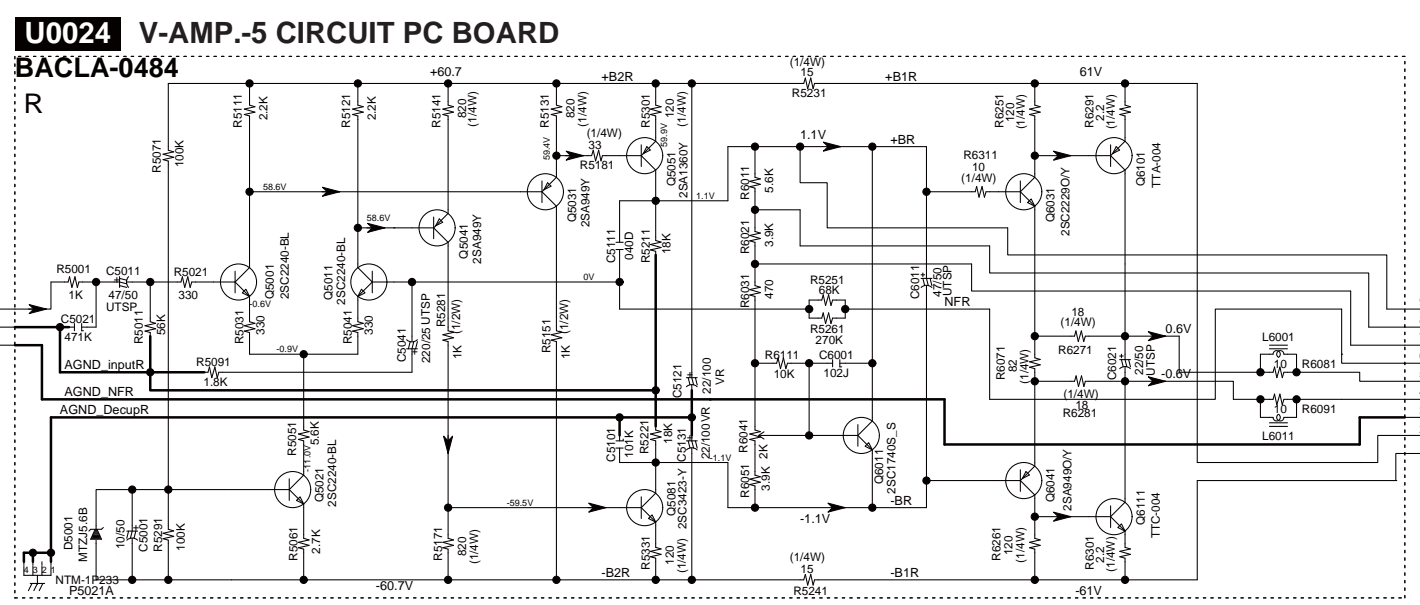
- Set the voltages at P6090~6096(NR709/NA709/DTR40.3/HTRC370) to 1.5mV by adjusting R5440~5446, Set the voltages at P6070~6078(NR809/NA809/NR1009/NA1009/DTR50.3) to 3mV by adjusting R6040~6048, under the condition of no input and no load, immediately after POWER ON.
- Re-adjust by following procedure after 4~6 minutes of heat running.

LC/R		SL/SR/SBL/SBR/FHL/FHR		
Below	4mV	4mV	Below	4mV
Between	4~6mV	Leave it as it is.	Between	4~6mV
Over	6mV	6mV	Over	6mV

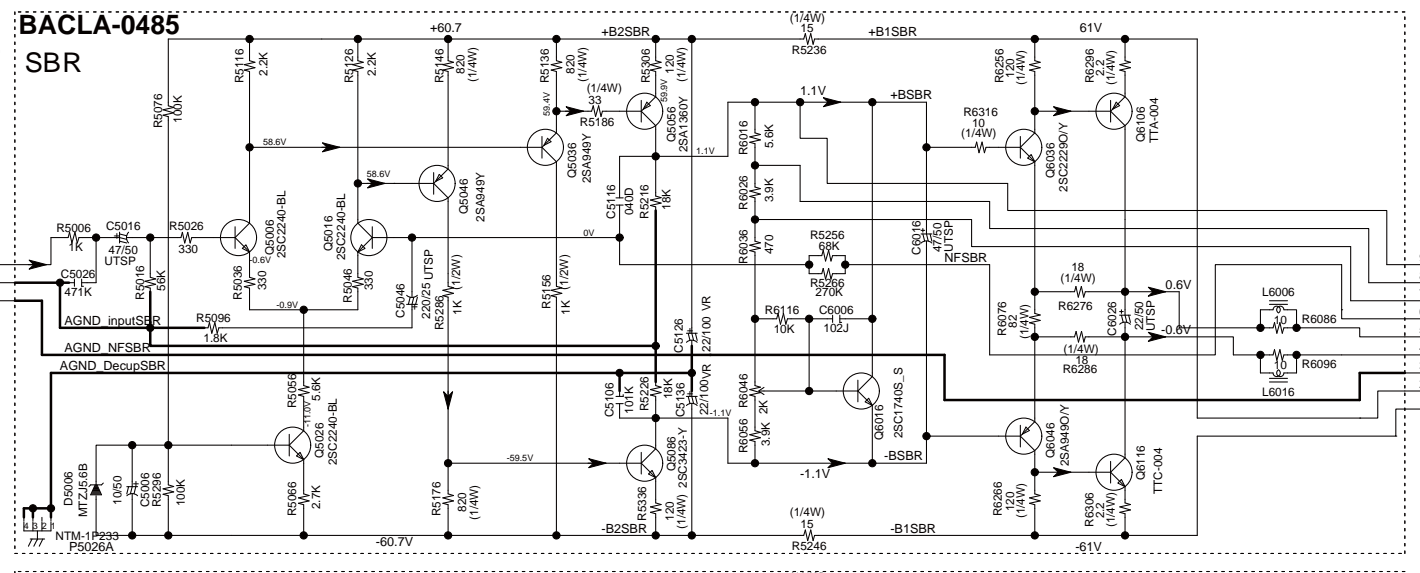
※Only TX-NR1009/NA1009 adjust FHL/FHR.

*Set R5440-5446/R6040-6048 to minimum position before POWER ON.
*Equip series 1/4W 100-ohm resistors near the terminal respectively in the each poles of the jig used for P6080-6086/P6070-6078 terminals.

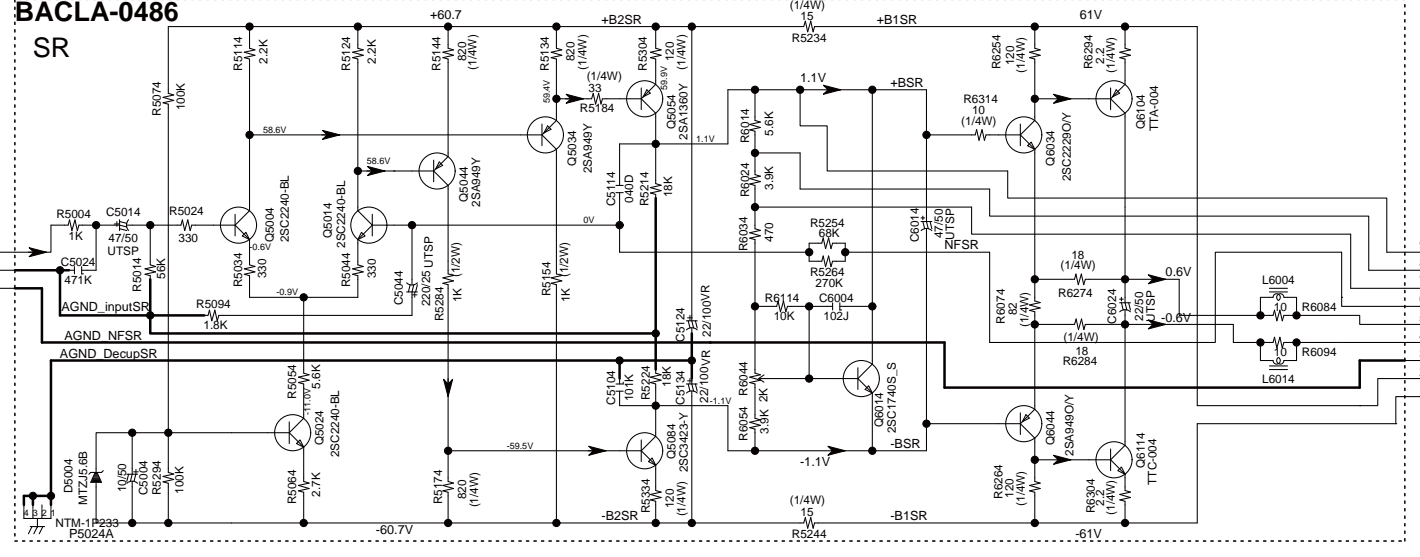
U002
BACLA-0480



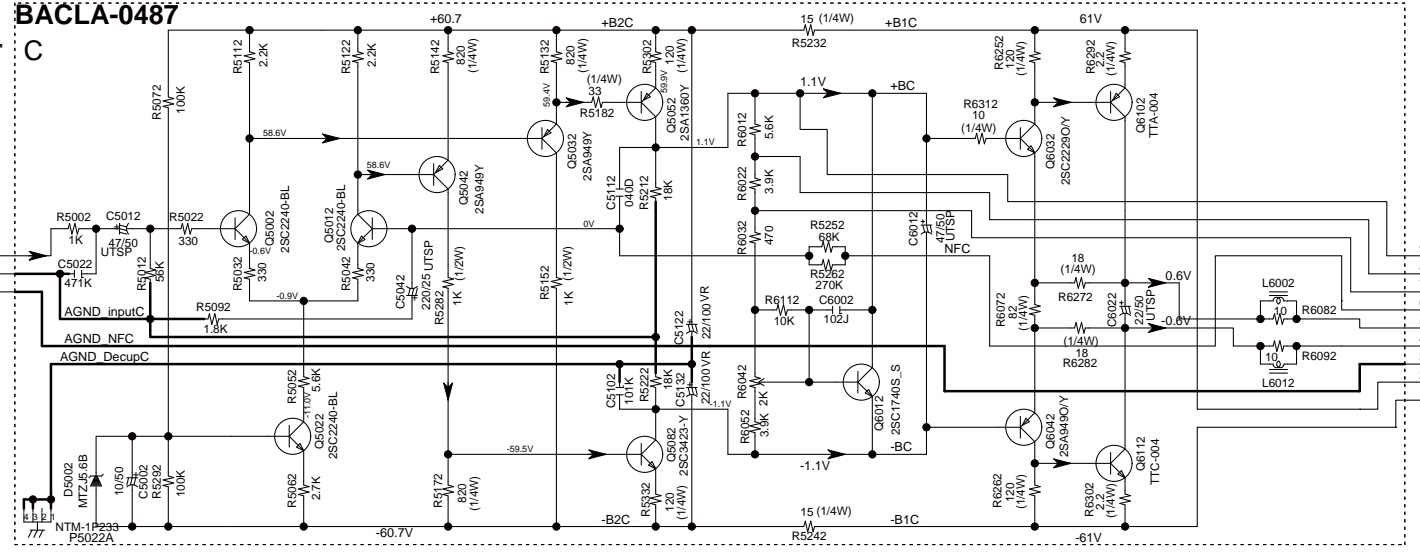
U0025
V-AMP-6 CIRCUIT PC BOARD



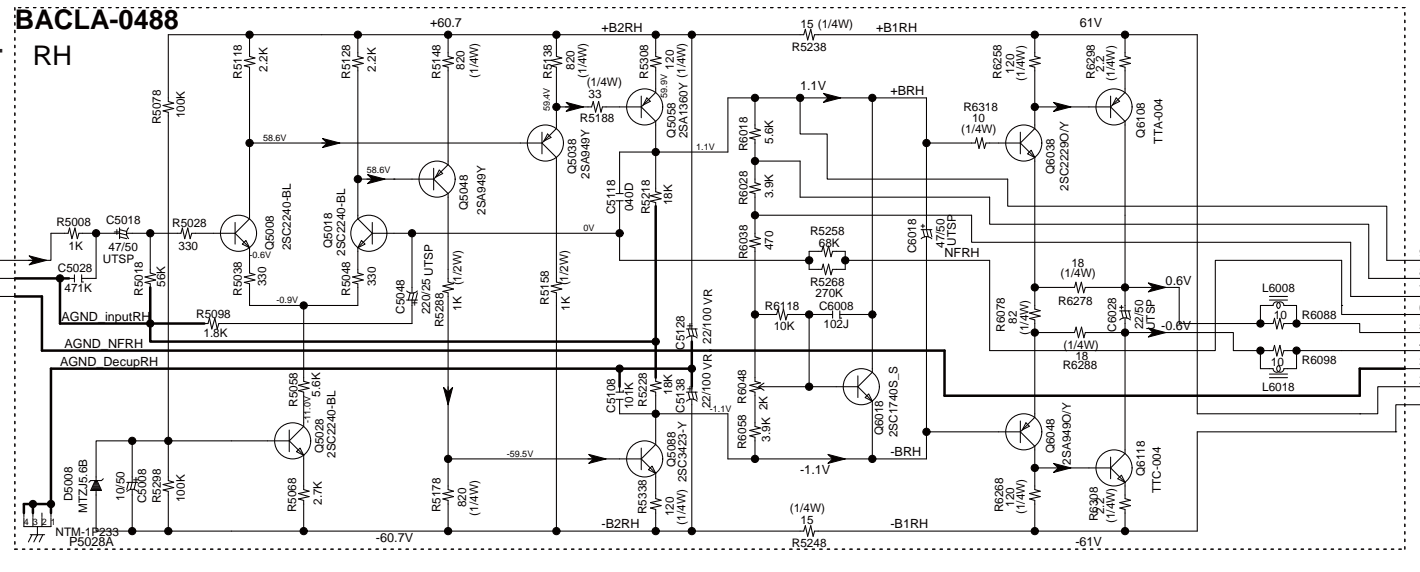
U0026
V-AMP-7 CIRCUIT PC BOARD



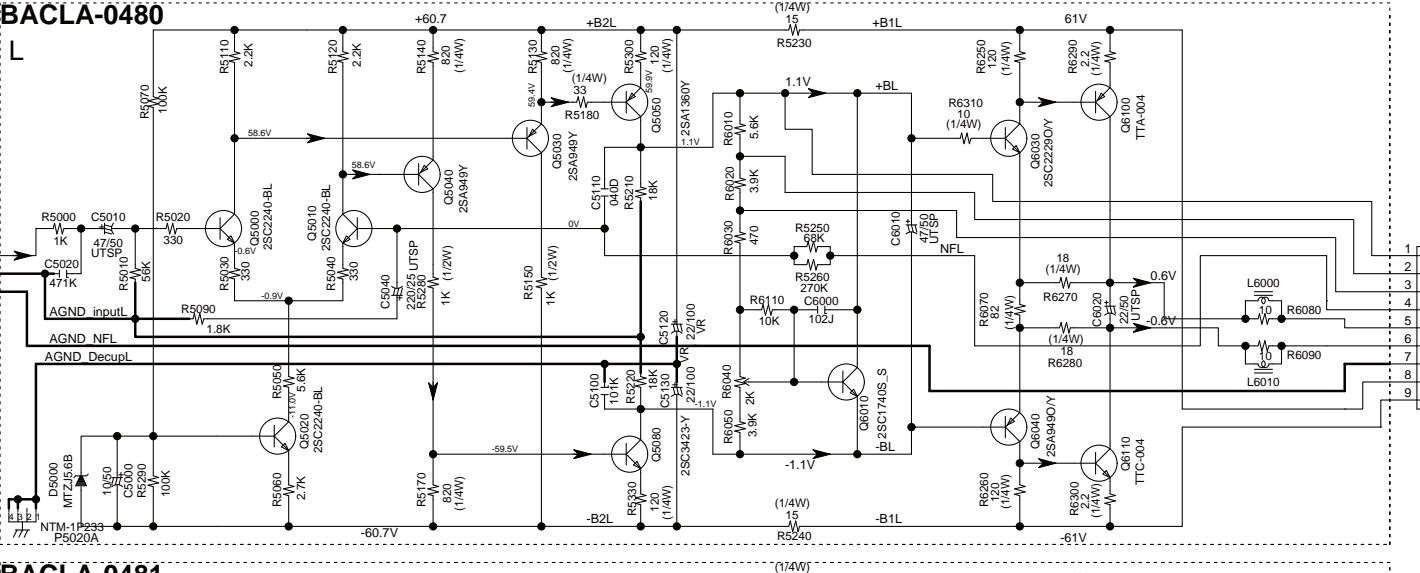
U0027
V-AMP-8 CIRCUIT PC BOARD



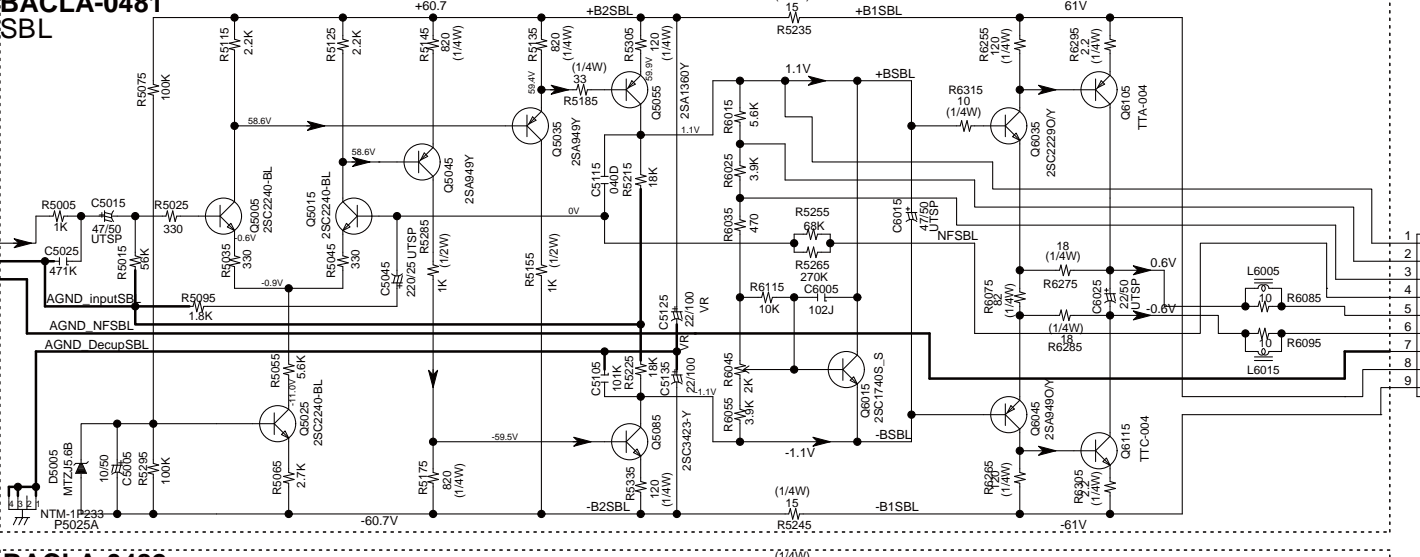
U0028
V-AMP-9 CIRCUIT PC BOARD



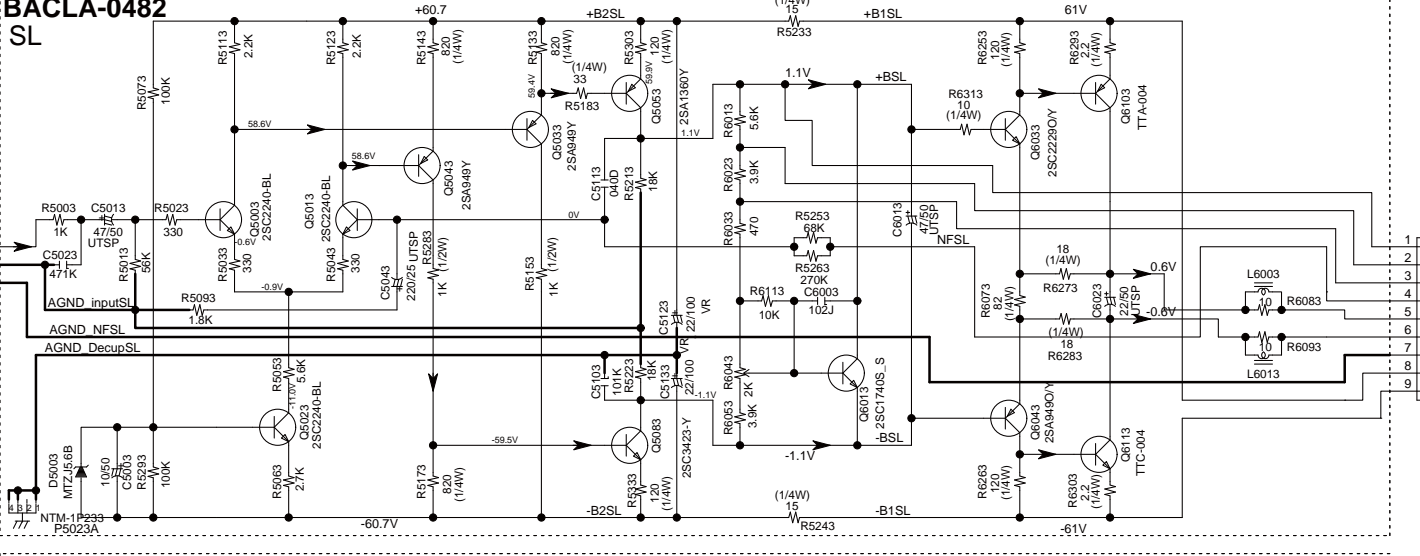
U0020
V-AMP-1 CIRCUIT PC BOARD



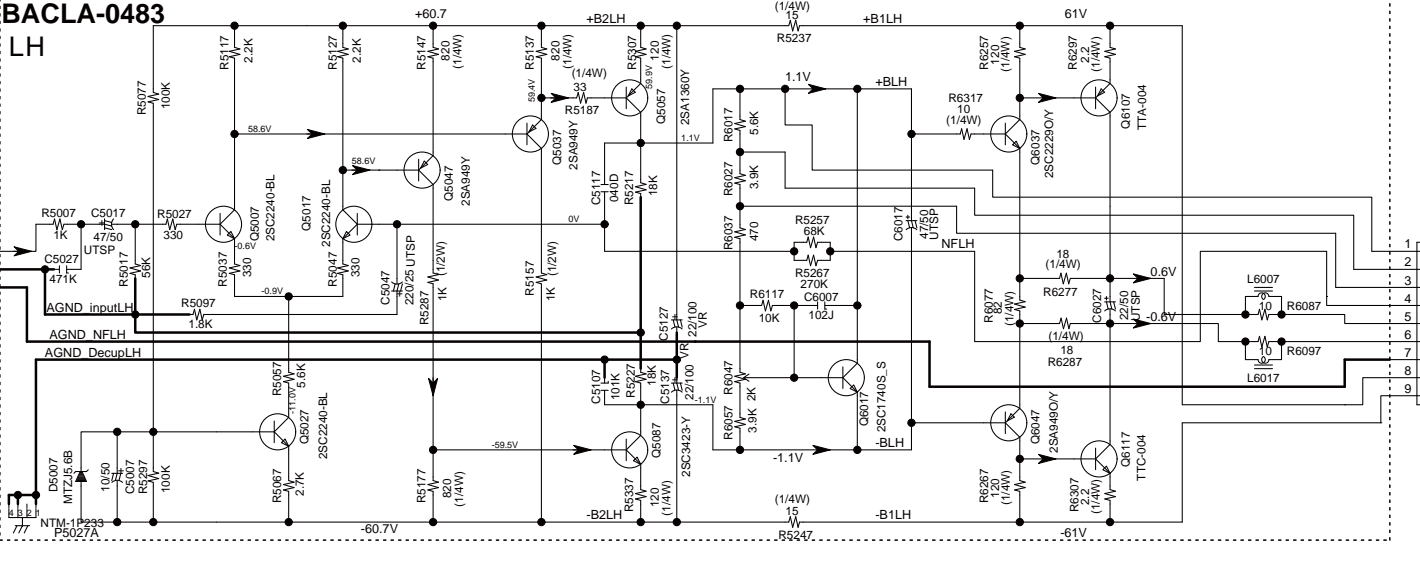
U0021
V-AMP-2 CIRCUIT PC BOARD



U0022
V-AMP-3 CIRCUIT PC BOARD

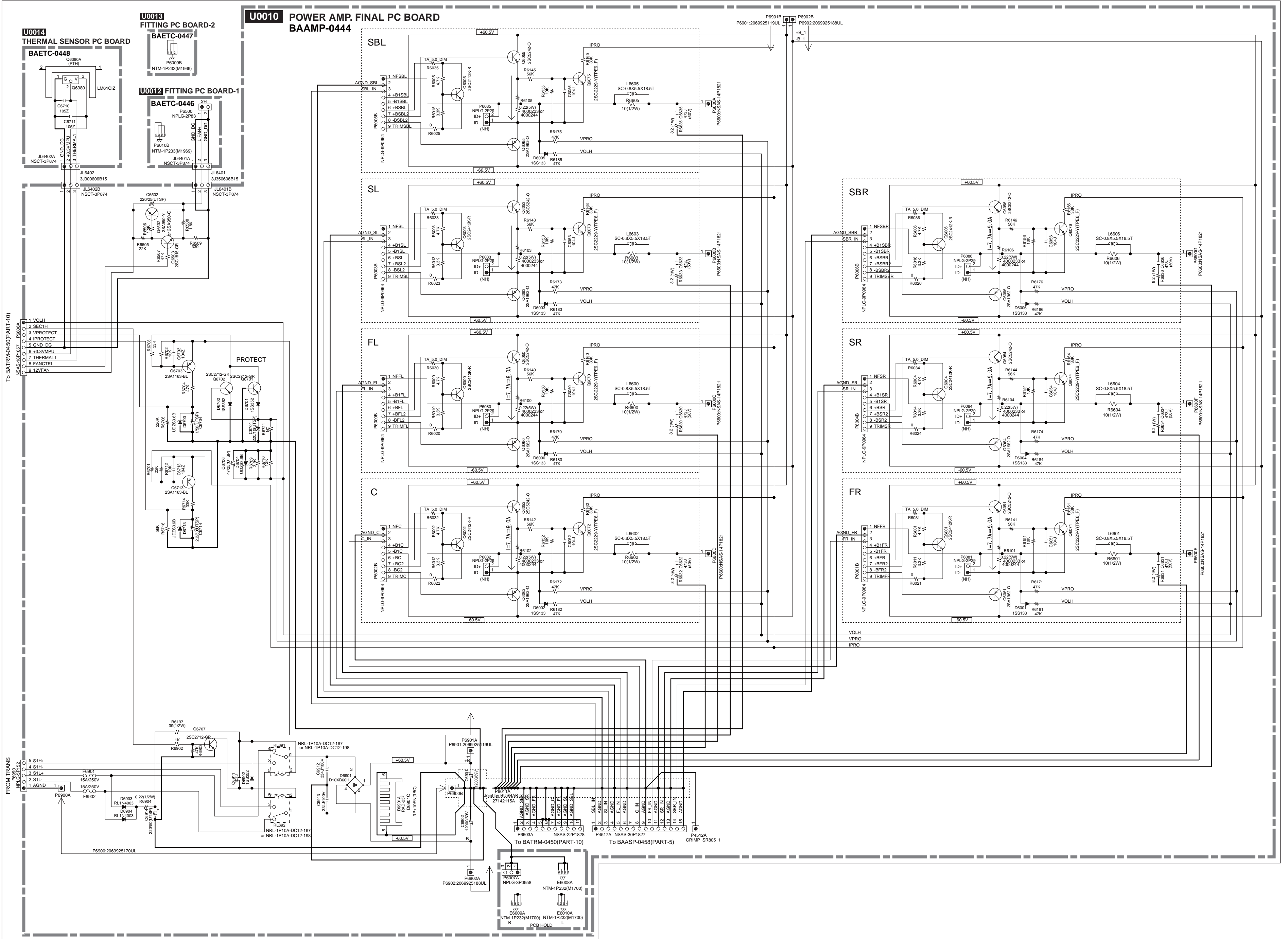


U0023
V-AMP-4 CIRCUIT PC BOARD



SCHEMATIC DIAGRAM-9
POWER AMP. FINAL STAGE SECTION
PART-8

U001 BAAMP-0444(1/2)



SCHEMATIC DIAGRAM-10
POWER AMP. FINAL STAGE SECTION
PART-9

1 U0010 POWER AMP. PC BOARD
BAAMP-0475

2

3

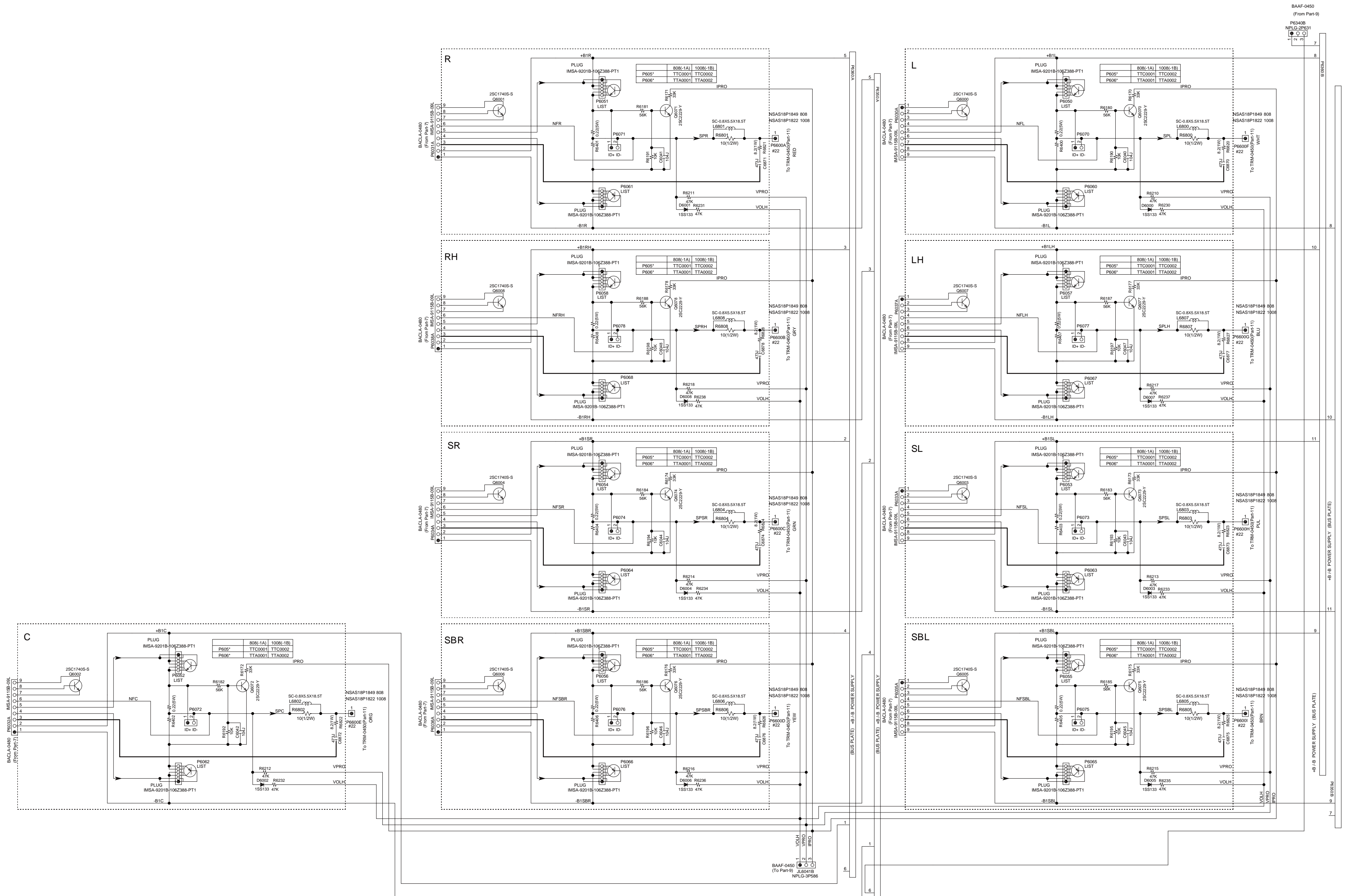
4

5

6

7

8



BAAF-0450
(From Part-9)

+B/±E POWER SUPPLY (BUS PLATE)

+B/±E POWER SUPPLY (BUS PLATE)

BAAF-0450
(To Part-9)
NSAS18P1849 808
NSAS18P1822 1008
NPLG-3P586

SCHEMATIC DIAGRAM-11
POWER SUPPLY PROTECT ETC. SECTION

PART-10

U0011 AMP POWER PC BOARD BAAF-0475

BAAF-0475

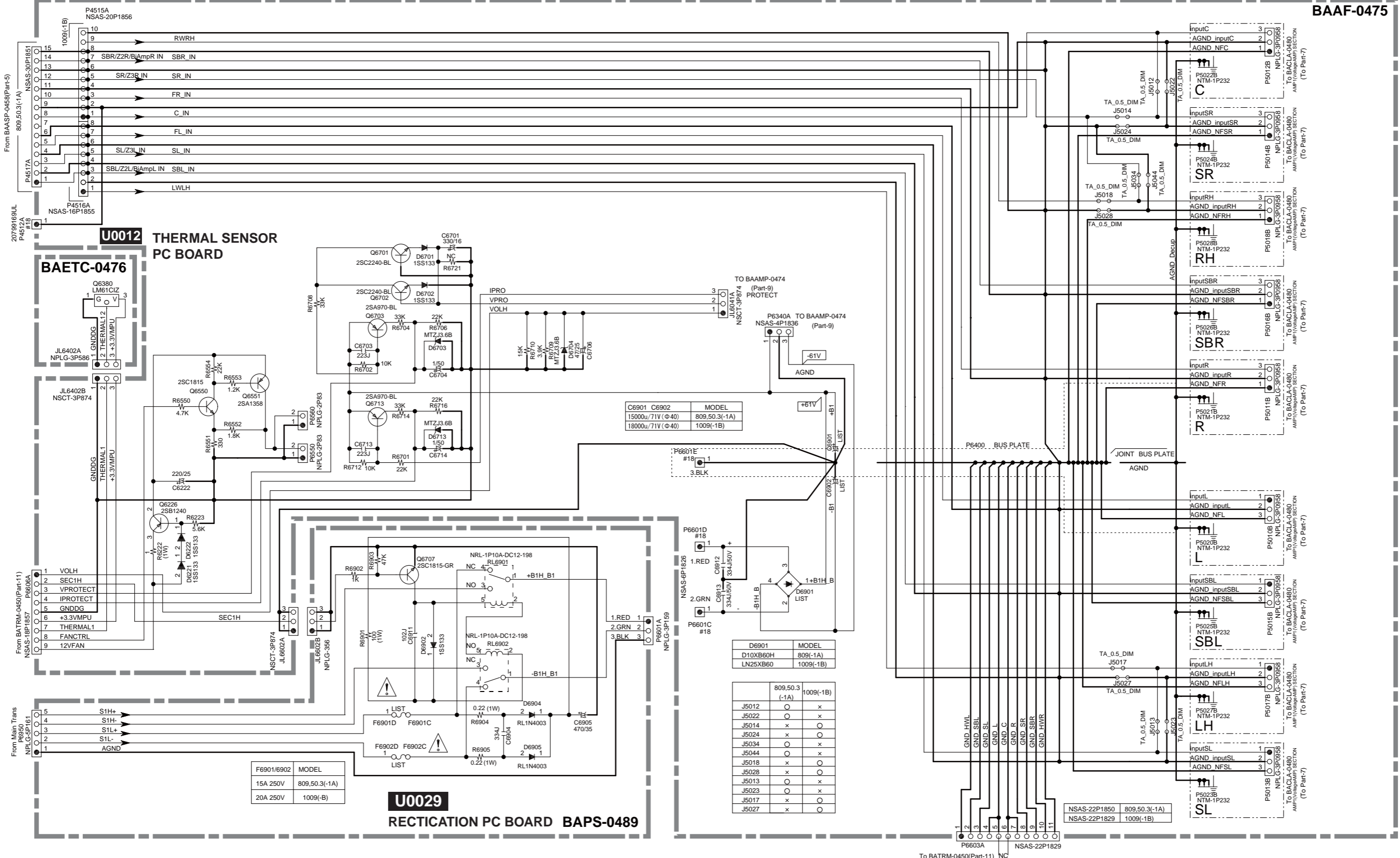
1

2

3

4

5



C6901	C6902	MODEL
15000u/71V (Φ40)	809,50.3(-1A)	
18000u/71V (Φ40)	1009(-1B)	

D6901	MODEL
D10XB60H	809(-1A)
LN25XB60	1009(-1B)

	809,50.3 (-1A)	1009(-1B)
J5012	○	x
J5022	○	x
J5014	x	○
J5024	x	○
J5034	○	x
J5044	○	x
J5018	x	○
J5028	x	○
J5013	○	x
J5023	○	x
J5017	x	○
J5027	x	○

F6901/6902	MODEL
15A 250V	809,50.3(-1A)
20A 250V	1009(-B)

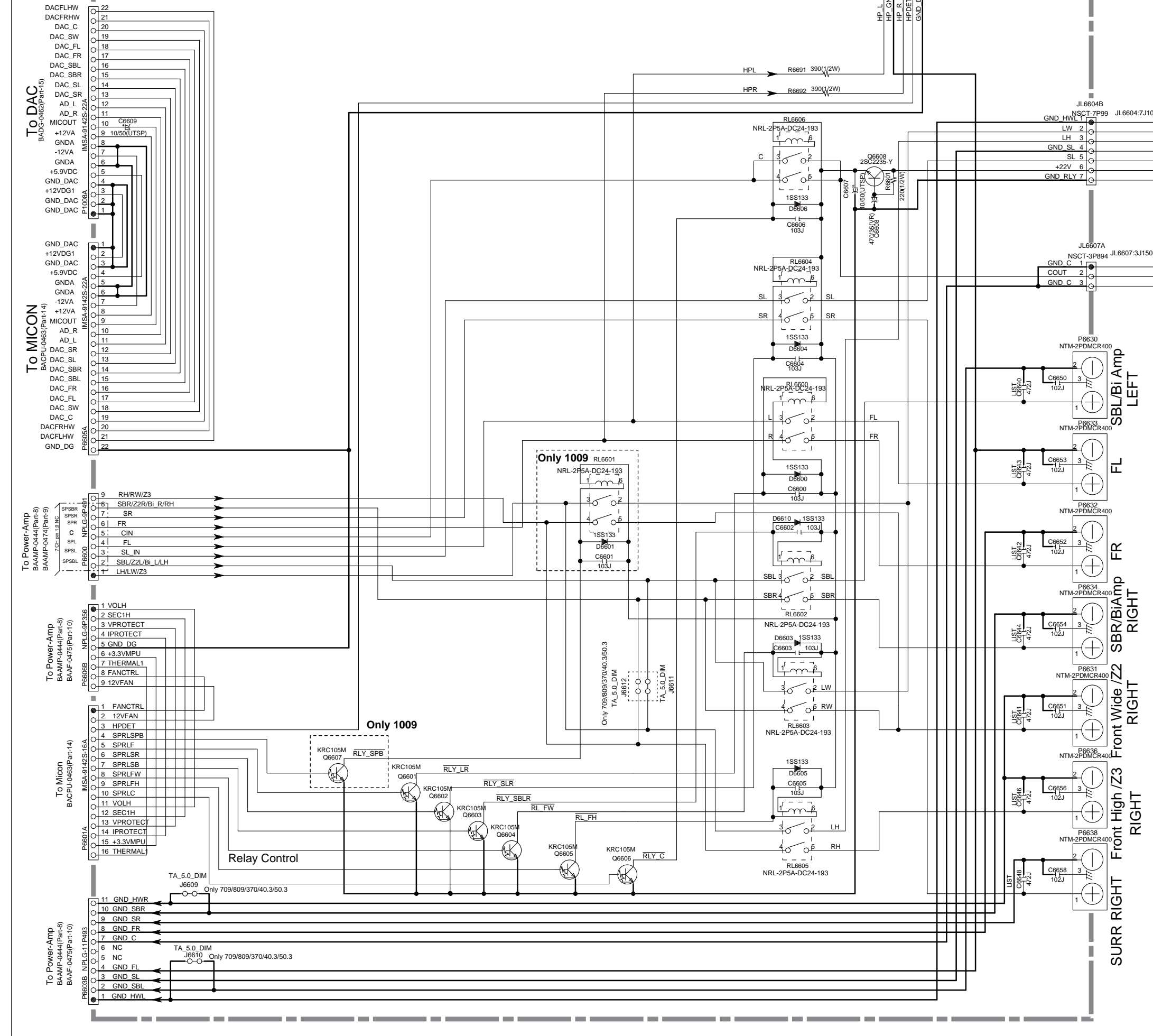
U0029 RECTIFICATION PC BOARD BAPS-0489

To BATRM-0450(Part-11) NSAS-22P1829

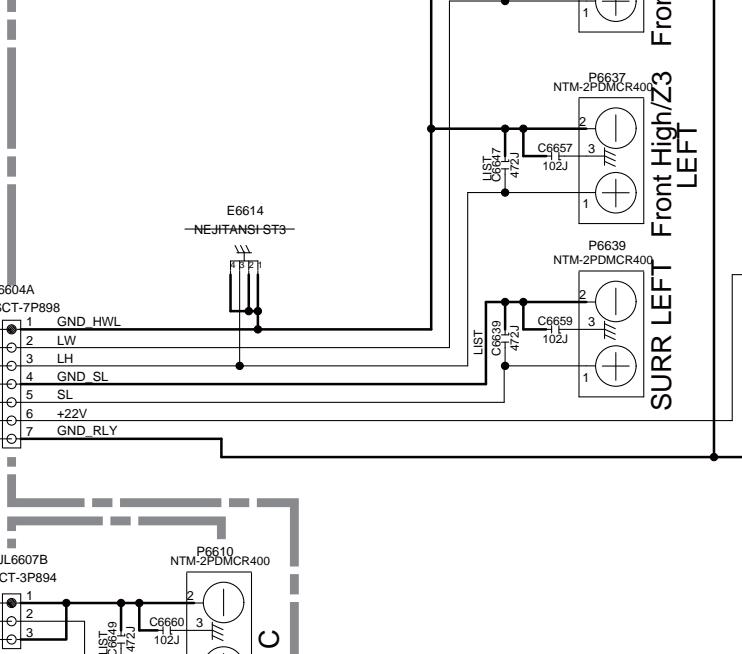
SCHEMATIC DIAGRAM-12
SPEAKER TERMINAL, POWER SUPPLY SECTION
PART-11

U003 BATRM-0450

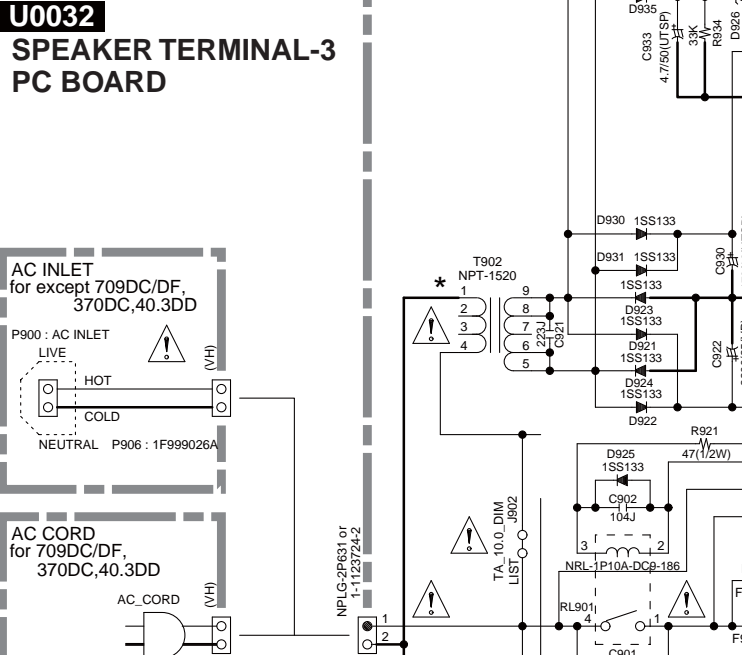
U0030 SPEAKER TERMINAL-1 PC BOARD BATRM-0450



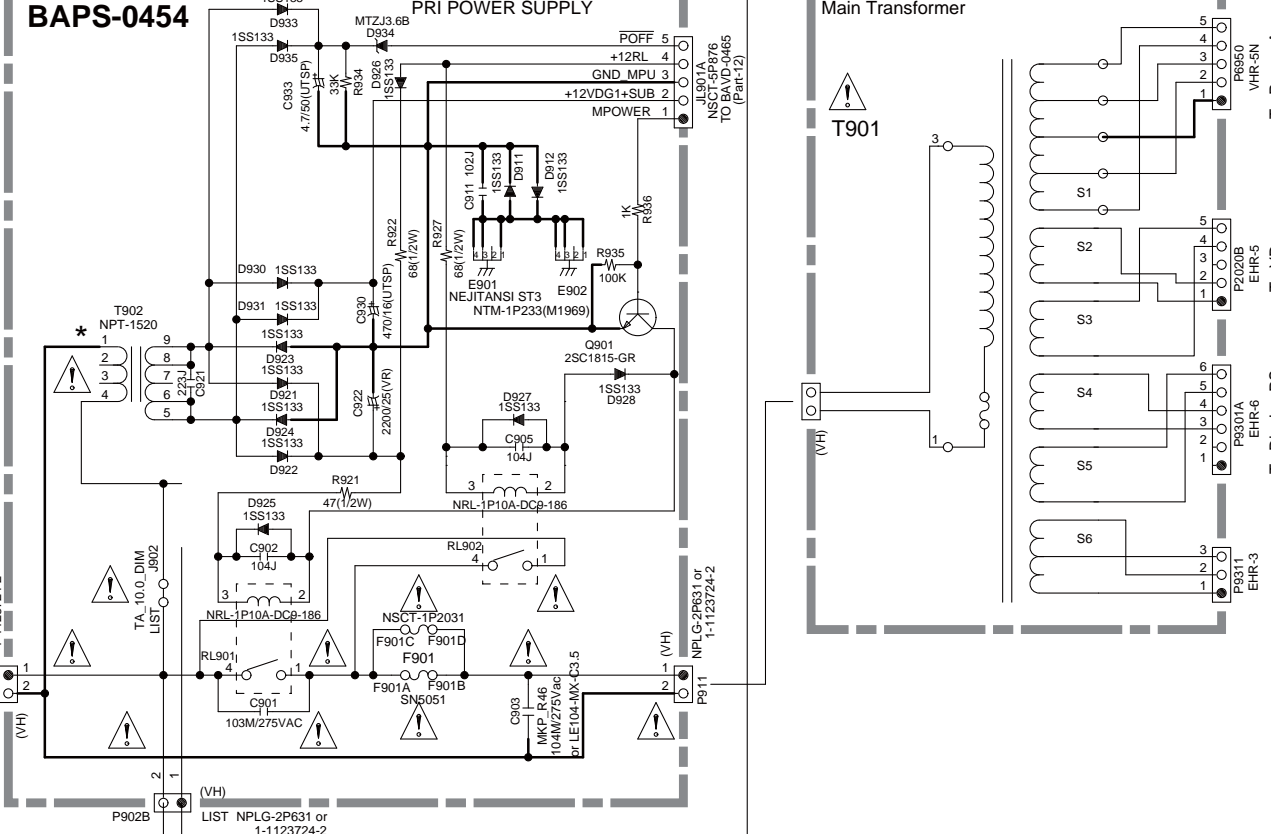
U0031 SPEAKER TERMINAL-2 PC BOARD BATRM-0451



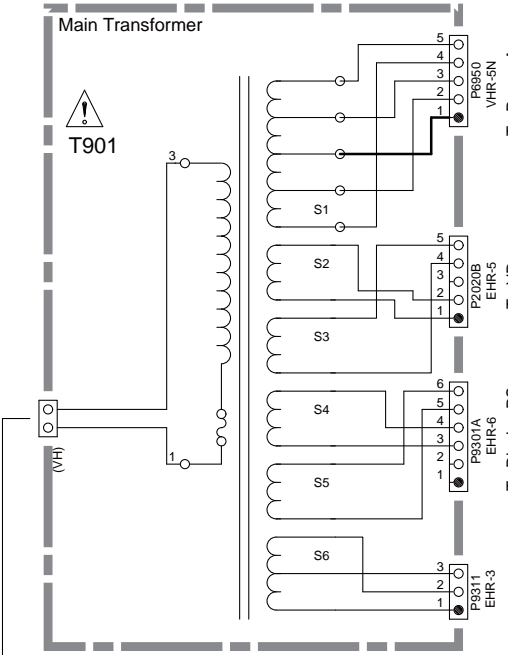
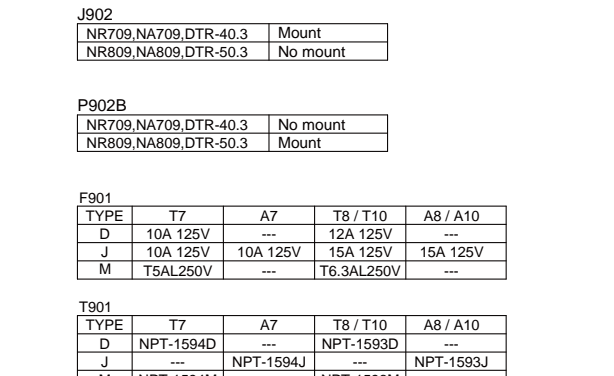
U0032 SPEAKER TERMINAL-3 PC BOARD BATRM-0452



U0033 PRIMARY POWER SUPPLY PC BOARD BAPS-0454



U00611 POWER SWITCH PC BOARD BASW-0814



・印は火災、感電の危険に關する部品の為、必ず指定部品を使用の事。
 ・電圧表示は無効時特に測定した直後電圧を示す。
 ・単位V、入力電圧100V/D、ノミ上の電圧計。
 ・記入なき電解コンデンサの単位はμF/50Vである。
 ・例 030→30F 330→330F 331→330F 333→0.033μF
 ・本配線図は基本配線図につき性能改善等により予告なく変更する事がある。

・THE COMPONENTS IDENTIFIED BY MARK ARE CRITICAL FOR SAFETY. REPLACE ONLY WITH PART NUMBER SPECIFIED. - VOLTAGE (MEASURED WITH VOLTMETER) IS DC VOLTAGE. (NO INPUT SIGNAL)
 ・ELECTROLYTIC CAPACITORS () ARE IN μF/WV.
 ・ALL CAPACITORS ARE IN pF/50V UNLESS OTHERWISE NOTED.
 EX) 030→30F 330→330F 331→330F 333→0.033μF
 ・CIRCUIT IS SUBJECT TO CHANGE FOR IMPROVEMENT.

THIS SYMBOL, LOCATED NEAR THE FUSE INDICATES THAT THE FUSE USED IS SLOW OPERATING TYPE FOR CONTINUED PROTECTION AGAINST FIRE HAZARD. REPLACE WITH SAME TYPE FUSE. FOR FUSE RATING REFER TO THE MAKING ADJACENT TO THE SYMBOL.
 CE SYMBOLE INDIQUE QUE LE FUSIBLE UTILISE EST A LENT, E POUR UNE PROTECTION PERMANENTE. UTILISER QUE DES FUSIBLES DE MEME TYPE. CE DERNIER EST INDIQUE LA OU LE PRESENT SYMBOLE EST APPOSE.

CAUTION
 FOR CONTINUED PROTECTION AGAINST FIRE HAZARD, REPLACE ONLY WITH FUSE OF SAME TYPE AND RATING INDICATED.
ATTENTION
 CAUTION: AFIN D'ASSURER UNE PROTECTION PERMANENTE CONTRE LES RISQUES D'INCENDIE, REMPLACEZ UNIQUEMENT PAR UN FUSIBLE DE MEME TYPE ET CALIBRATION COMME INDIQUE.

C6639 -- 6649

TYPE	T7	A7	T8	A8	T10	A10
D	NC	---	NC	---	NC	---
J	---	NC	---	NC	---	NC
M	472J	---	472J	---	472J	---

CODE MODEL

T7	TX-NR709, DTR-40.3, HT-RC370
A7	TX-NA709
T8	TX-NR809, DTR-50.3
A8	TX-NA809
T10	TX-NR1009
A10	TX-NA1009

J902

NR709, NA709, DTR-40.3	Mount
NR809, NA809, DTR-50.3	No mount

P902B

NR709, NA709, DTR-40.3	No mount
NR809, NA809, DTR-50.3	Mount

F901

TYPE	T7	A7	T8 / T10	A8 / A10
D	10A 125V	---	12A 125V	---
J	10A 125V	10A 125V	15A 125V	15A 125V
M	T5AL250V	---	T6.3AL250V	---

T901

TYPE	T7	A7	T8 / T10	A8 / A10
D	NPT-1594D	---	NPT-1593D	---
J	---	NPT-1594J	---	NPT-1593J
M	NPT-1594M	---	NPT-1593M	---

T902

TYPE	T7	A7	T8 / T10	A8 / A10
D	NPT-1520JQ	---	NPT-1520JQ	---
J	---	NPT-1520JQ	---	NPT-1520JQ
M	NPT-1520GQ	---	NPT-1520GQ	---

SCHEMATIC DIAGRAM-14
D TERMINAL & PC IN SECTION
PART-13

1

U0053 VIDEO-2 PC BOARD

BAVD-0465

MJJ only

U0041 PC INPUT TERMINAL PC BOARD

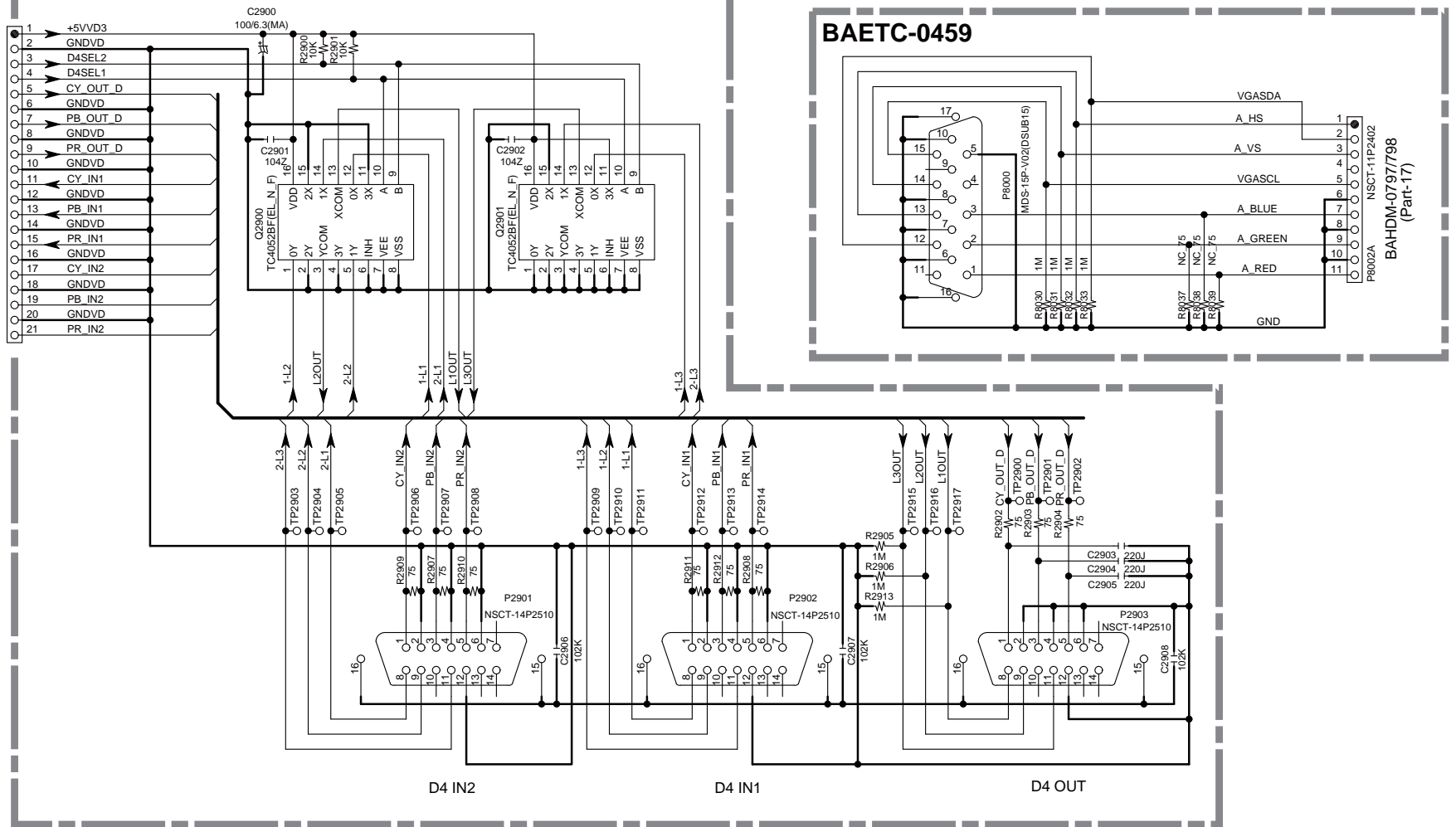
BAETC-0459

TO ANALOG VIDEO PWB
 TO BAVD-0464
 (Part-12 ANALOG VIDEO Section)

2

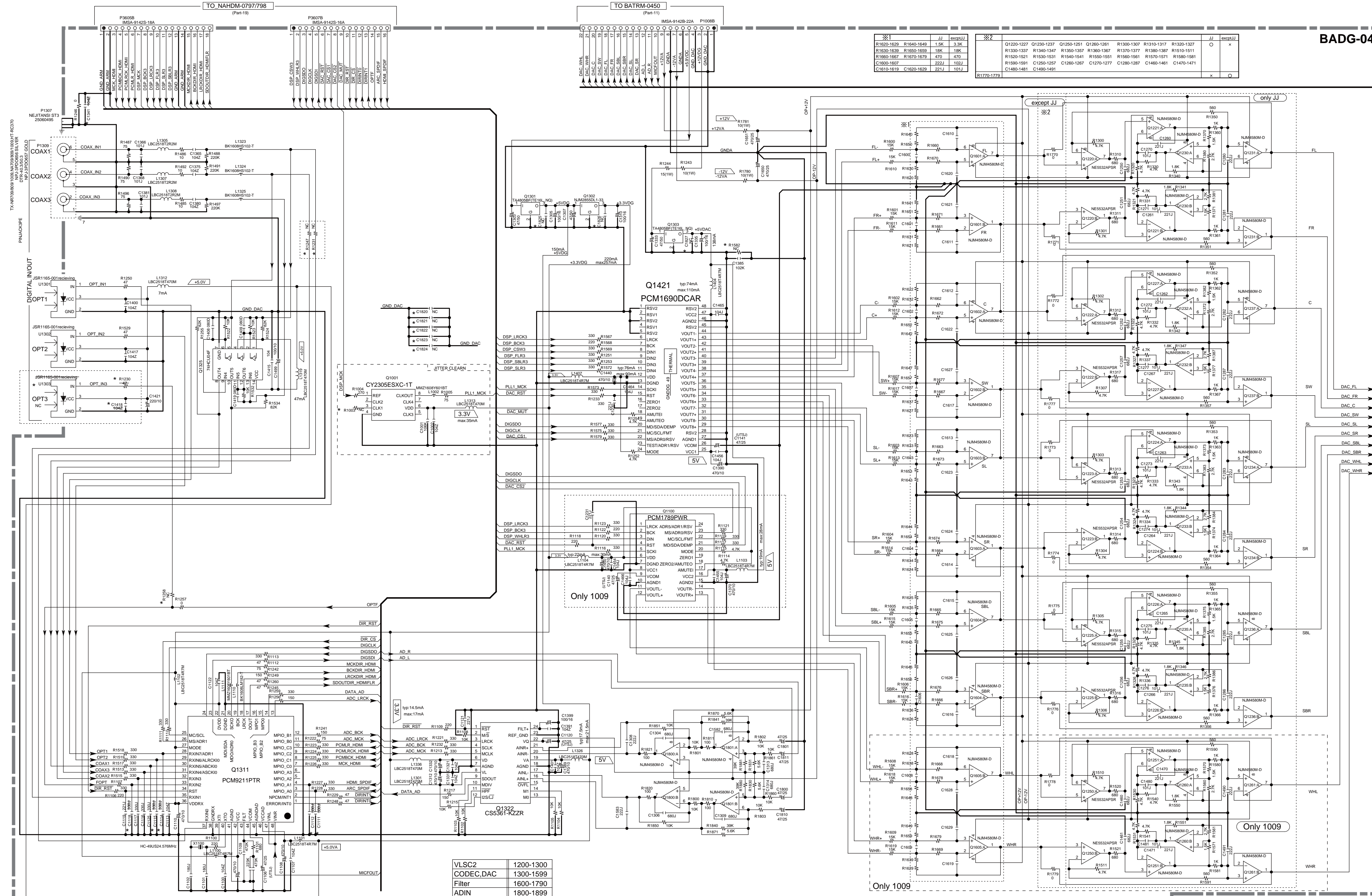
3

4



SCHEMATIC DIAGRAM-16
DAC/ DIR/ ADC/ VLSC2 SECTION
PART-15

**U0050 DAC/ DIR CIRCUIT PC BOARD
BADG-0462**



BADG-0462

R1620-1629	R1640-1649	1.5K	3.3K
R1630-1639	R1650-1659	18K	18K
R1660-1667	R1670-1679	470	470
C1600-1607		22U	10U
C1810-1819	C1620-1629	22U	10U
R1770-1779			

Q1220-1227	Q1230-1237	Q1250-1251	Q1260-1261	R1300-1307	R1310-1317	R1320-1327	JJ	except JJ
R1330-1337	R1340-1347	R1360-1367	R1370-1377	R1380-1387	R1510-1511	R1580-1581	Q	
R1590-1591	C1250-1257	C1260-1267	C1270-1277	C1280-1287	C1460-1461	C1470-1471	X	O
C1480-1481	C1490-1491							

VLSC2	1200-1300
CODEC.DAC	1300-1599
Filter	1600-1790
ADIN	1800-1899

1
2
3
4
5
6
7
8

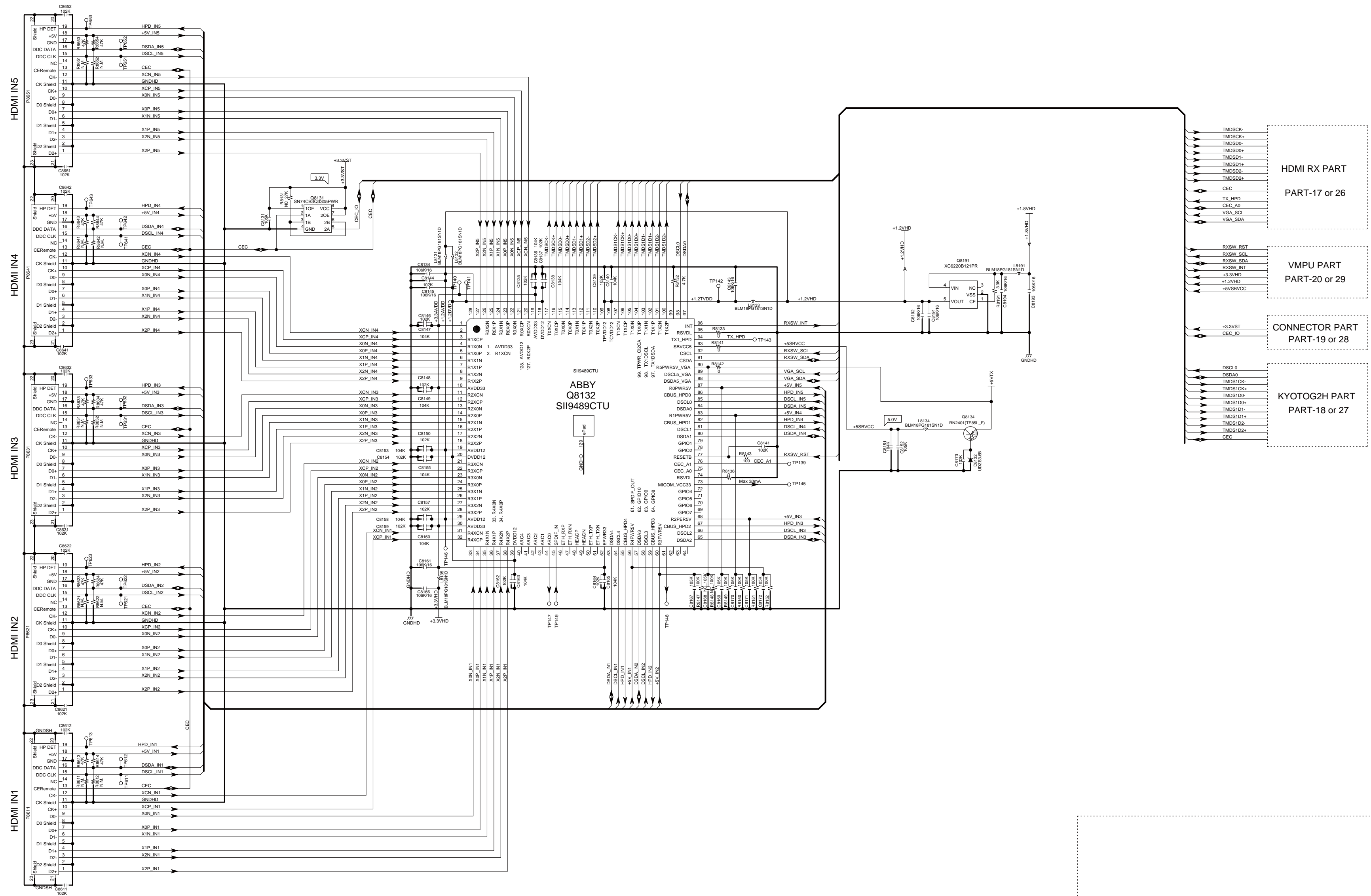
SCHEMATIC DIAGRAM-17
HDMI INPUT SWITCH SECTION

BAHDM-0798 : TX-NR709/809/1009,TX-NA709/809/1009,HT-RC370,DTR-40.3/50.3 PART-16
BAHDM-0797 : TX-NR3009/5009,TX-NA5009,DTR-70.3/80.3,DHC-80.3,PR-SC5509 PART-25

U007 HDMI/ DSP CIRCUIT PC BOARD

BAHDM-0797 or BAHDM-0798 (1 / 9)

TX-NR709/NA709, DTR-40.3,HT-RC370	BAHDM-0798
OTHER MODEL	BAHDM-0797



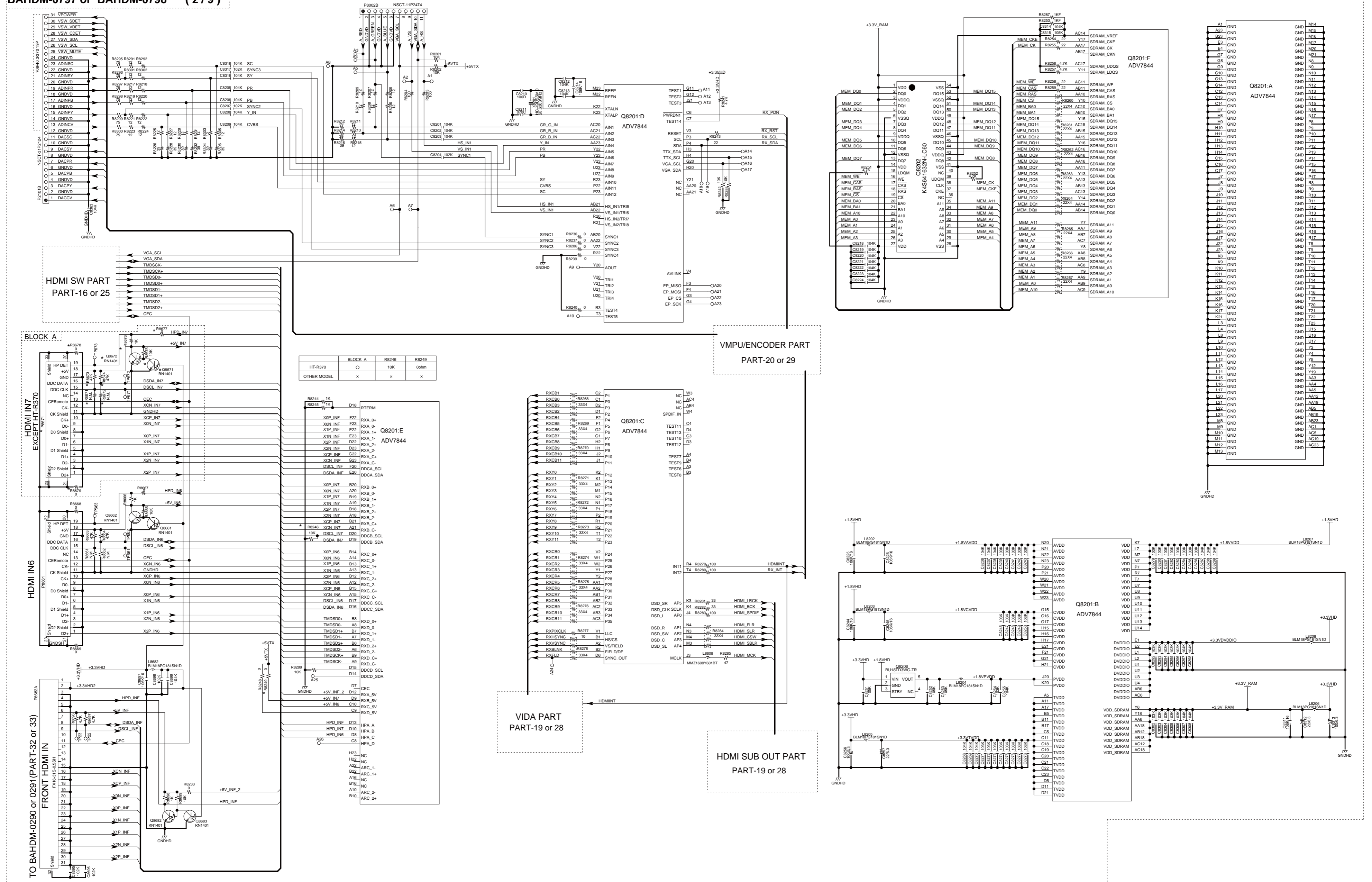
- HDMI RX PART
PART-17 or 26
- VMPU PART
PART-20 or 29
- CONNECTOR PART
PART-19 or 28
- KYOTOG2H PART
PART-18 or 27

SCHEMATIC DIAGRAM-18
HDMI RX / DECODER SECTION

BAHDM-0797 : TX-NR709/809/1009, TX-NA709/809/1009, HT-RC370, DTR-40.3/50.3 PART-17
BAHDM-0798 : TX-NR3009/5009, TX-NA5009, DTR-70.3/80.3, DHC-80.3, PR-SC5509 PART-26

U007 HDMI/ DSP CIRCUIT PC BOARD

BAHDM-0797 or BAHDM-0798 (2 / 9)

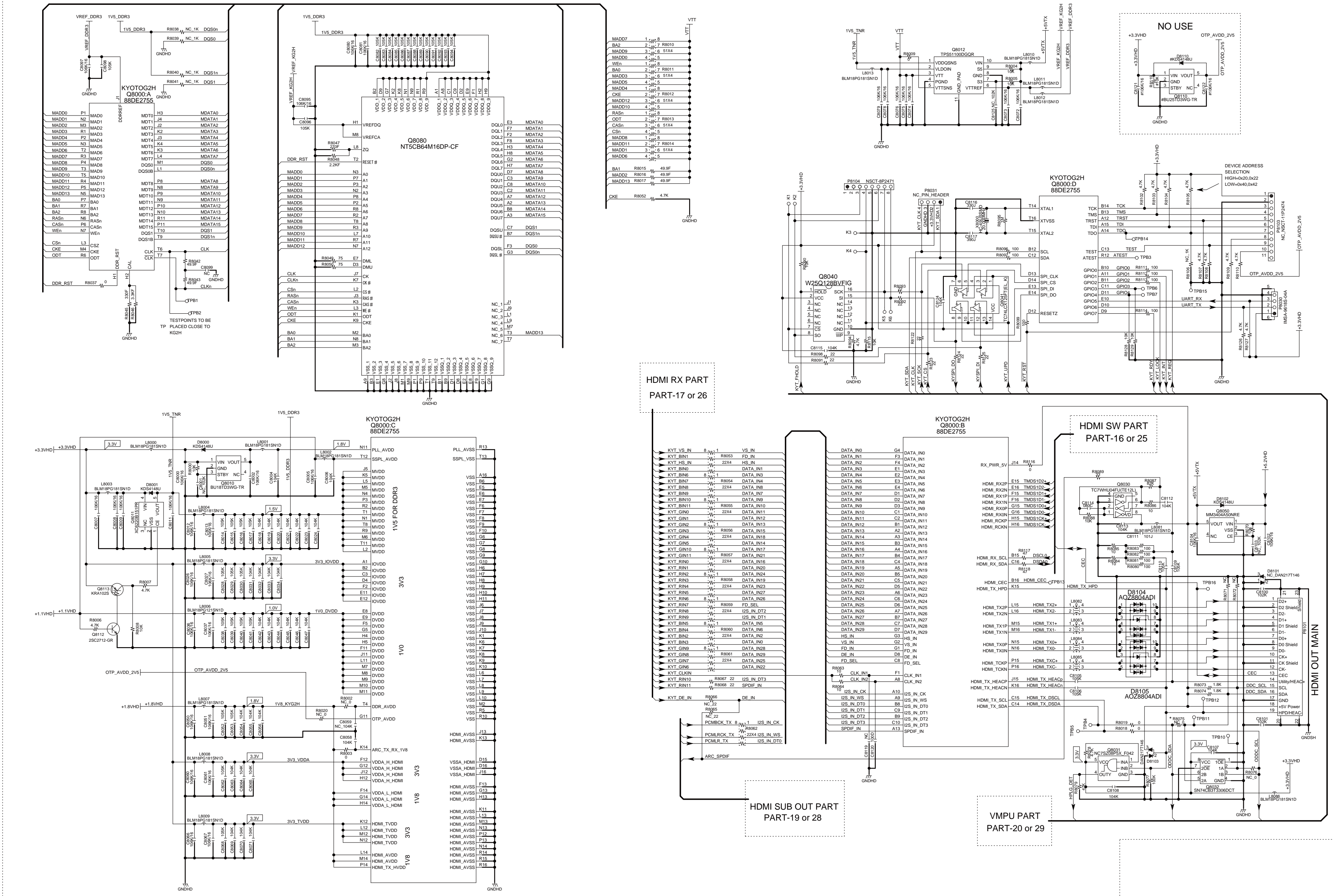


SCHEMATIC DIAGRAM-19
VIDEO PROCESSOR SECTION

BAHDM-0797 : TX-NR709/809/1009, TX-NA709/809/1009, HT-RC370, DTR-40.3/50.3 PART-18
BAHDM-0798 : TX-NR3009/5009, TX-NA5009, DTR-70.3/80.3, DHC-80.3, PR-SC5509 PART-27

U007 HDMI/ DSP CIRCUIT PC BOARD

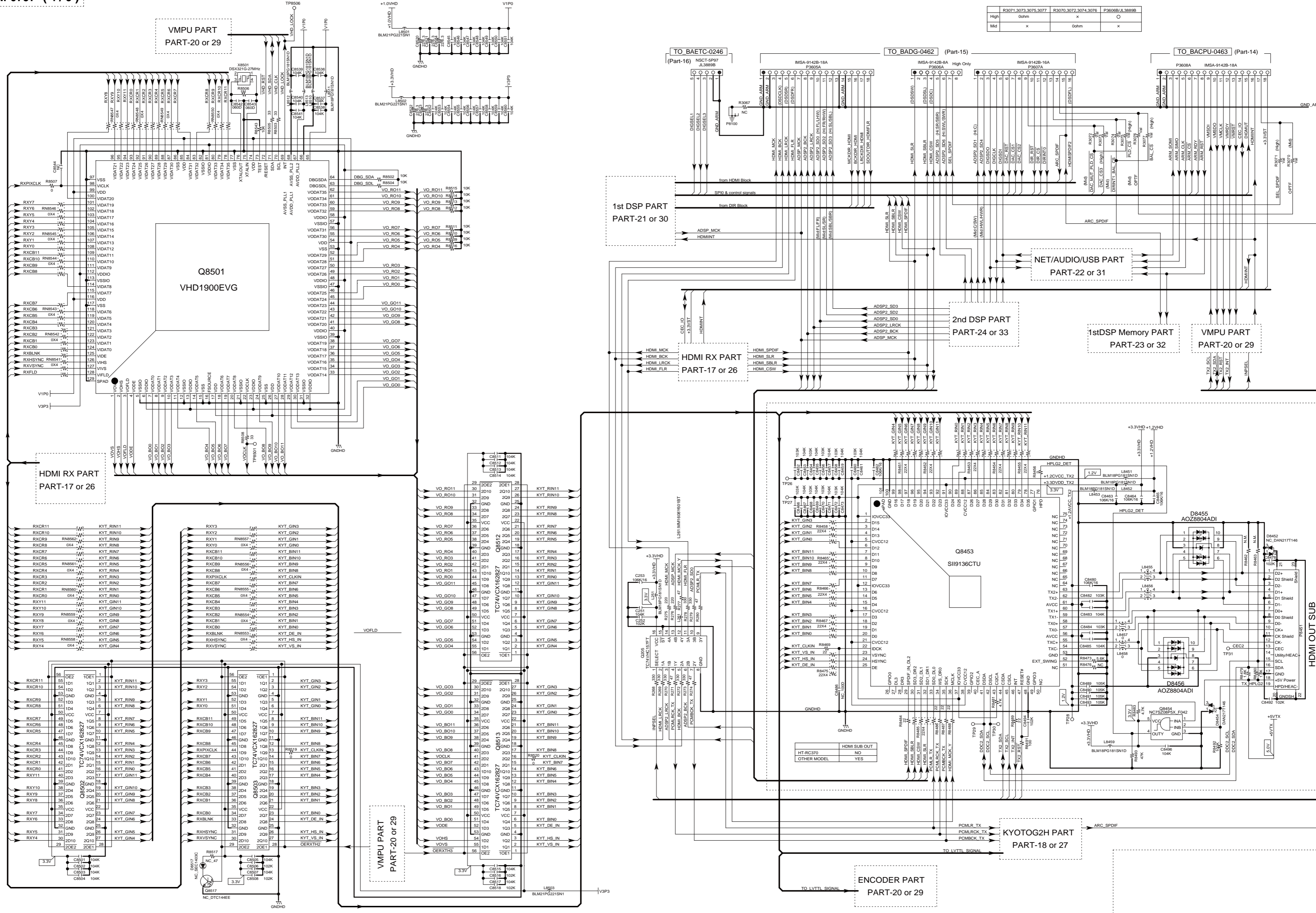
BAHDM-0797 or BAHDM-0798 (3 / 9)



SCHEMATIC DIAGRAM-20
VIDA/ HDMI SUB OUT/ CONNECTOR SECTION
PART-19

U007 HDMI/ DSP CIRCUIT PC BOARD

BAHDM-0797 (4 / 9)



1
2
3
4
5
6
7
8

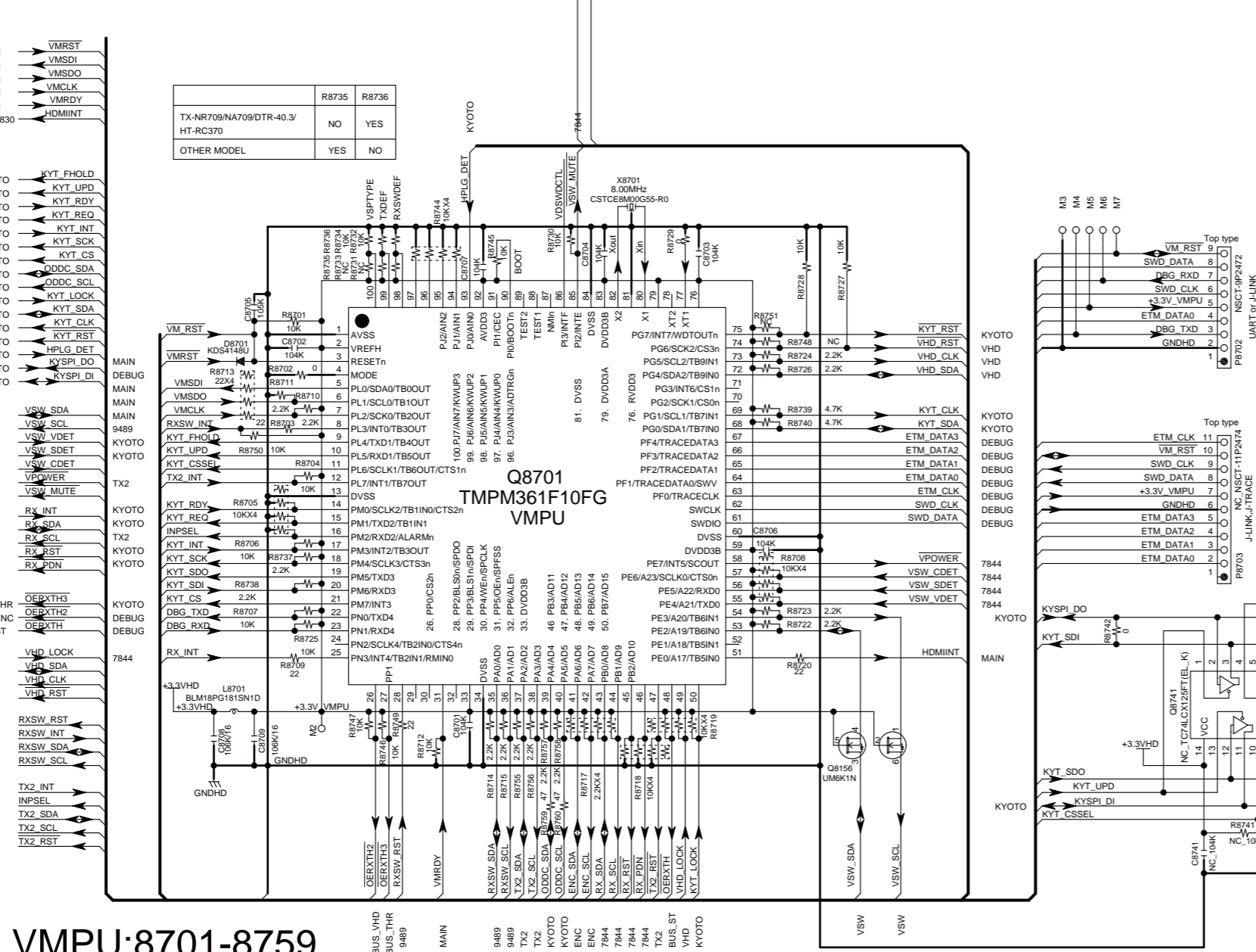
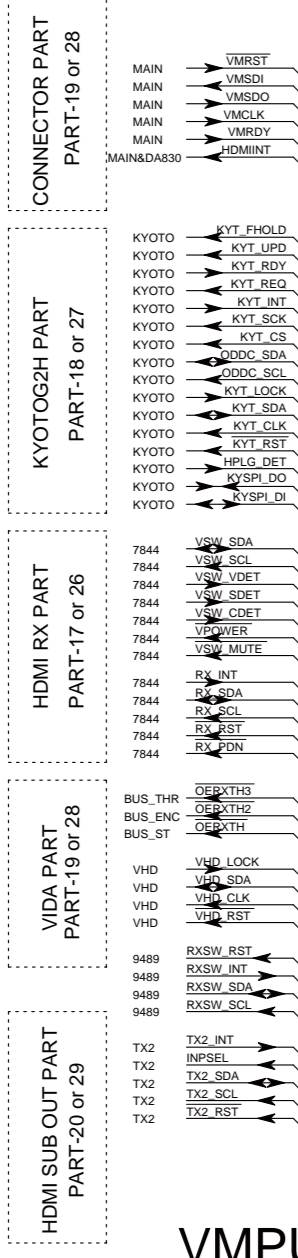
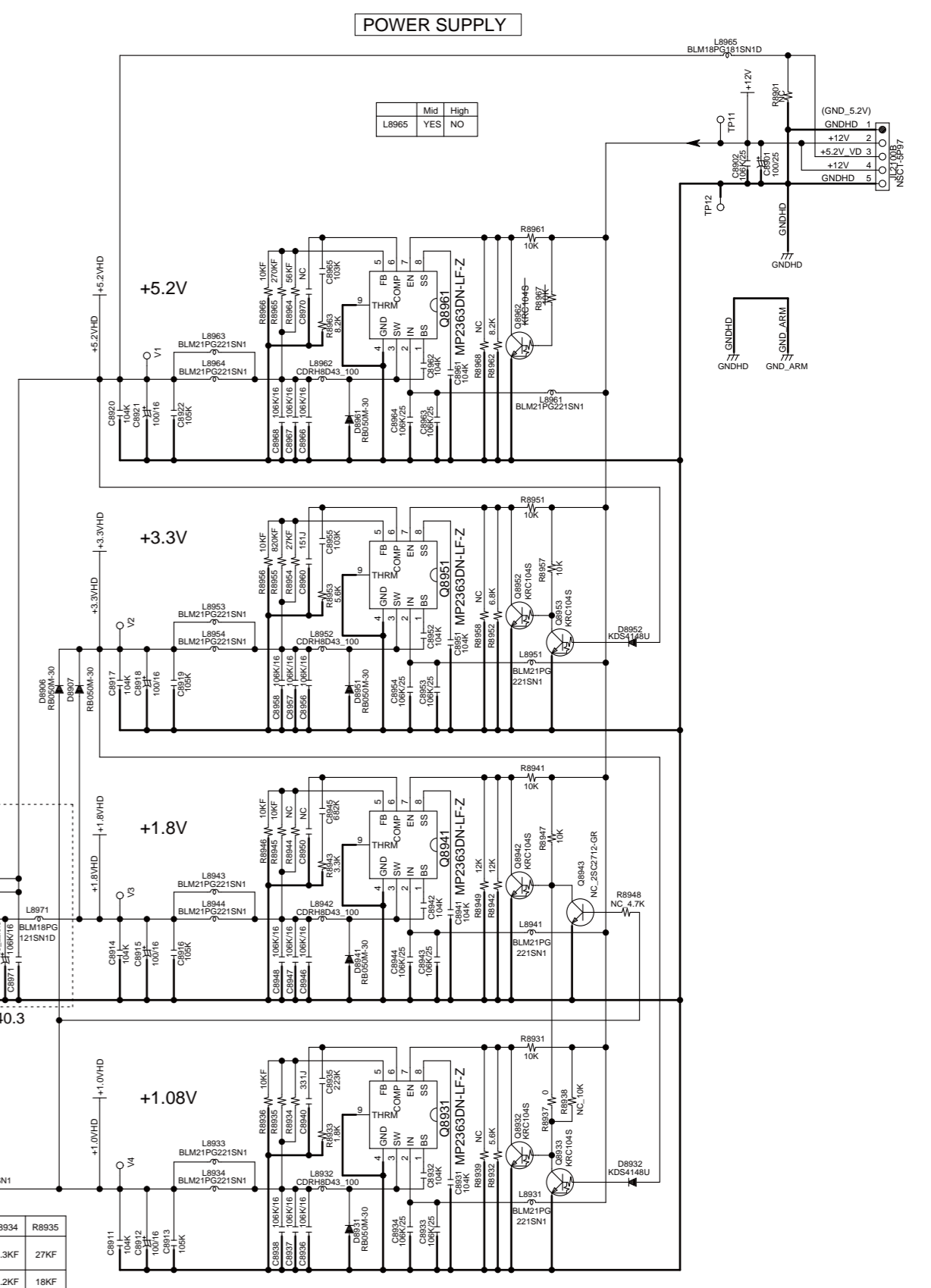
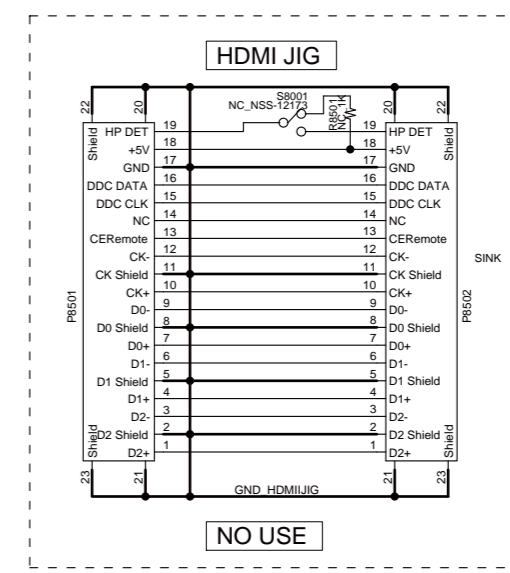
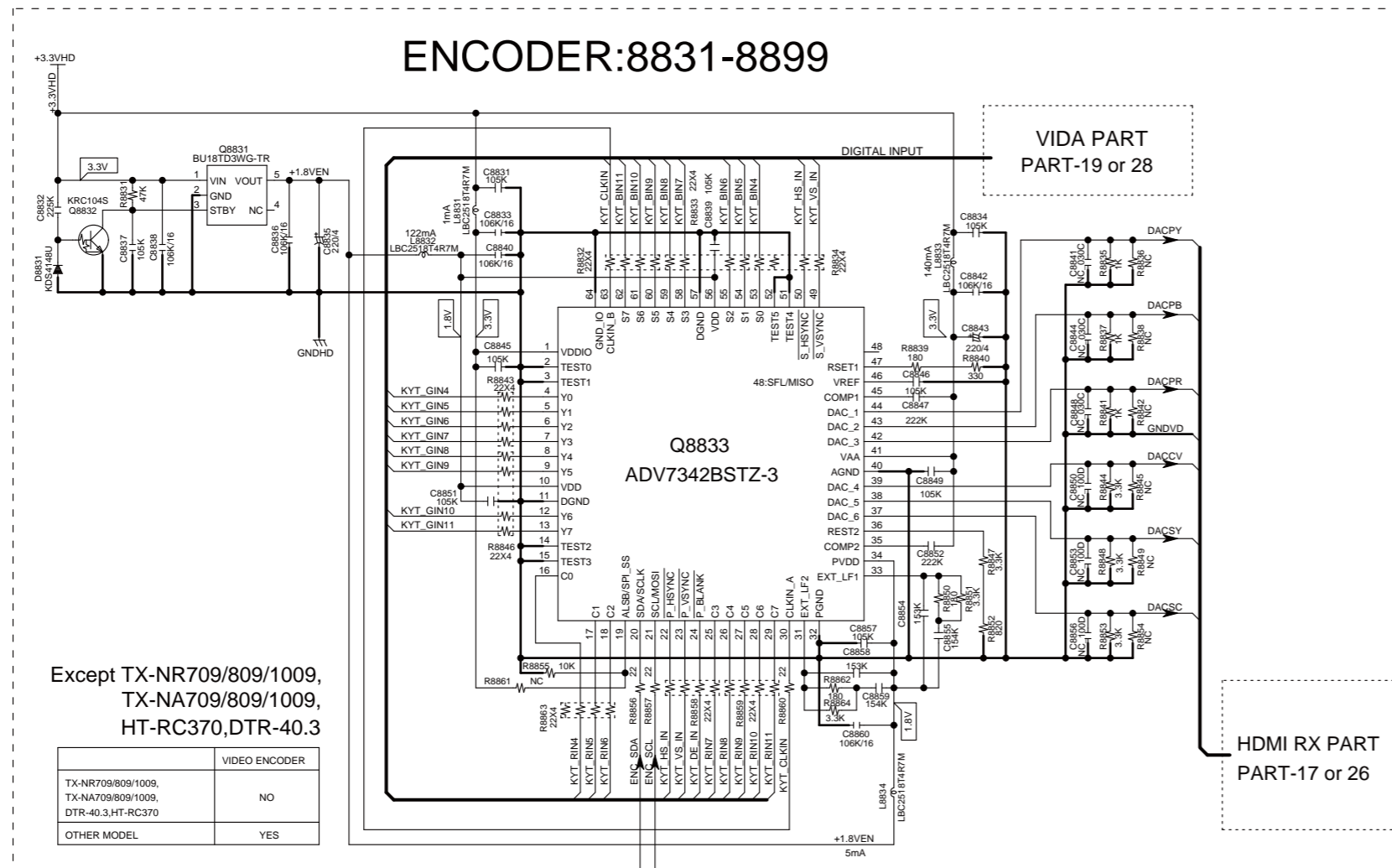
HDMI OUT SUB

SCHEMATIC DIAGRAM-21
VMPU/ENCODER/POWER SUPPLY SECTION

BAHDM-0797 : TX-NR709/809/1009, TX-NA709/809/1009, HT-RC370, DTR-40.3/50.3
PART-20

U007 HDMI/ DSP CIRCUIT PC BOARD

BAHDM-0797 (5 / 9)



VMPU:8701-8759

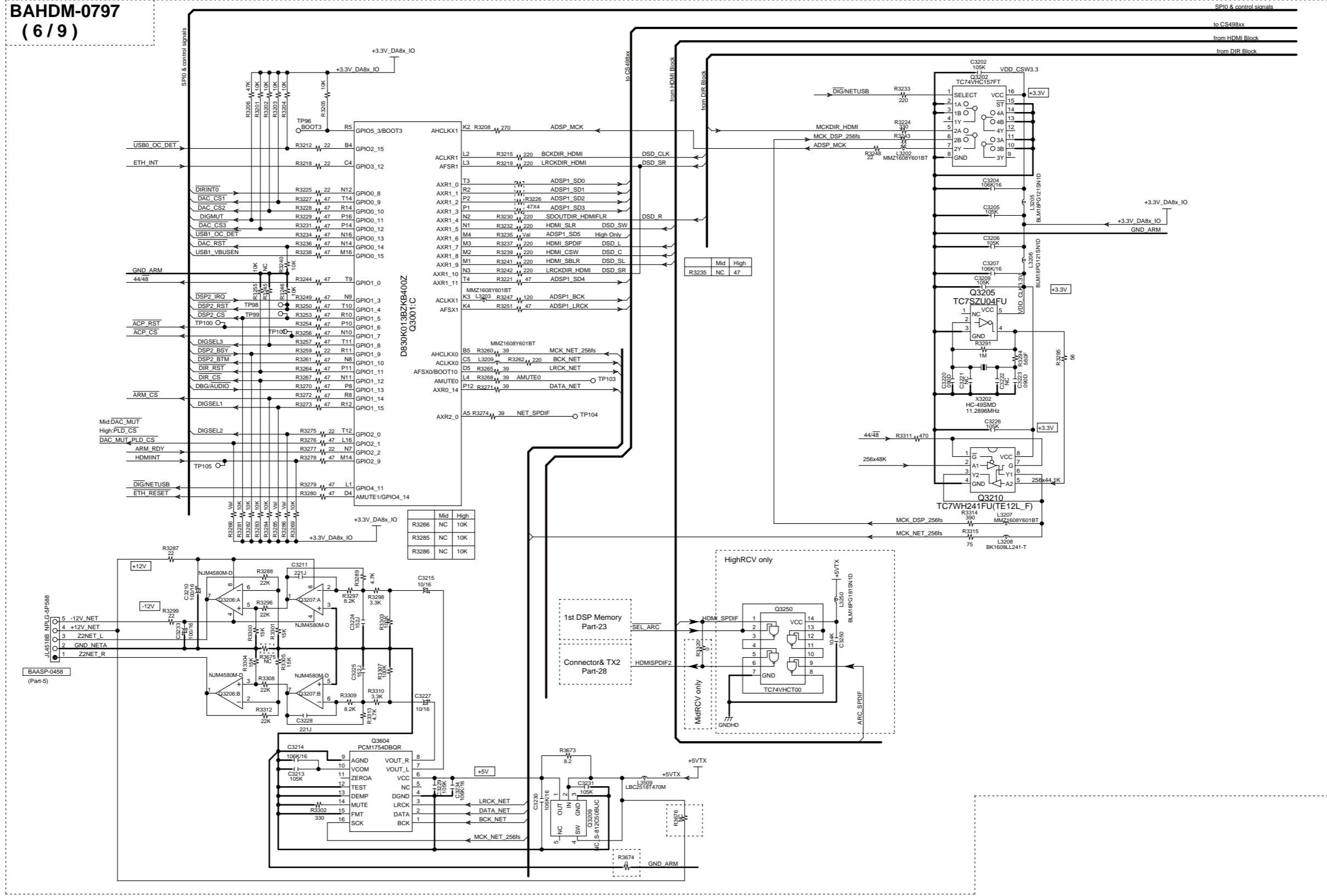
SCHEMATIC DIAGRAM-22

DSP/ AUDIO/ GPIO SECTION

BAHDM-0797 : TX-NR709/809/1009,TX-NA709/809/1009,HT-RC370,DTR-40.3/50.3
PART-21

U007 HDMI/ DSP CIRCUIT PC BOARD

BAHDM-0797
(6/9)



1

2

3

4

5

SCHEMATIC DIAGRAM-23

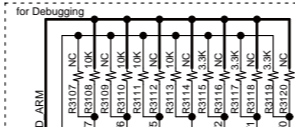
DSP/ AUDIO/ GPIO SECTION

BAHDM-0797 : TX-NR709/809/1009, TX-NA709/809/1009, HT-RC370, DTR-40.3/50.3 PART-22

U007 HDMI/ DSP CIRCUIT PC BOARD

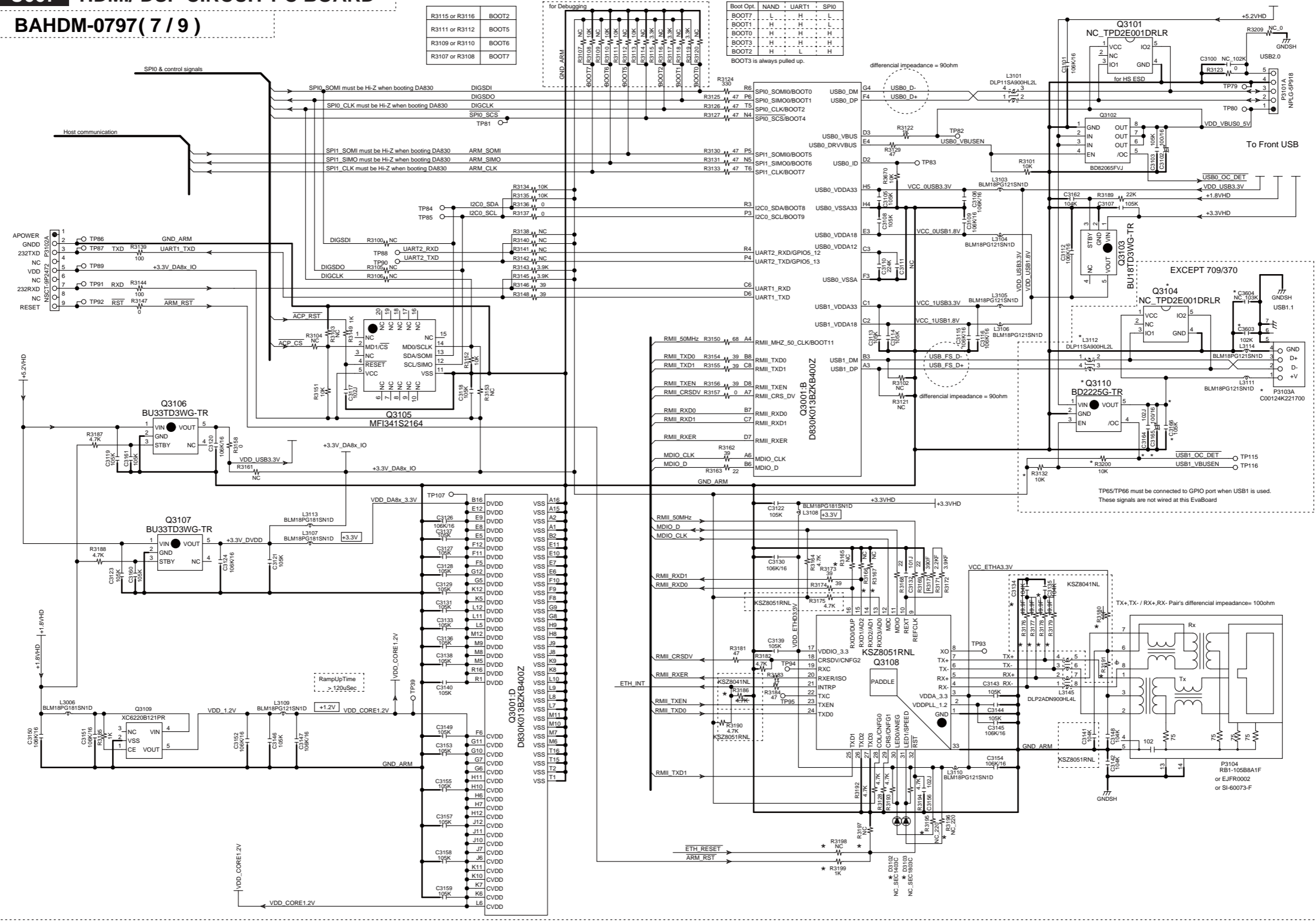
BAHDM-0797(7 / 9)

R3115 or R3116	BOOT2
R3111 or R3112	BOOT5
R3109 or R3110	BOOT6
R3107 or R3108	BOOT7



Boot Opt.	NAND	UART1	SPI0
BOOT7	L	H	L
BOOT0	H	H	L
BOOT1	H	H	L
BOOT2	H	H	L
BOOT3	H	H	L
BOOT4	H	H	L
BOOT5	H	H	L
BOOT6	H	H	L
BOOT7	H	H	L

BOOT3 is always pulled up.



TP65/TP66 must be connected to GPIO port when USB1 is used. These signals are not wired at this EvaBoard

TX+, TX-, RX+, RX- Pair's differential impedance=100ohm

P3104 RB1-105B8A1F or EJFR0002 or SI-60073-F

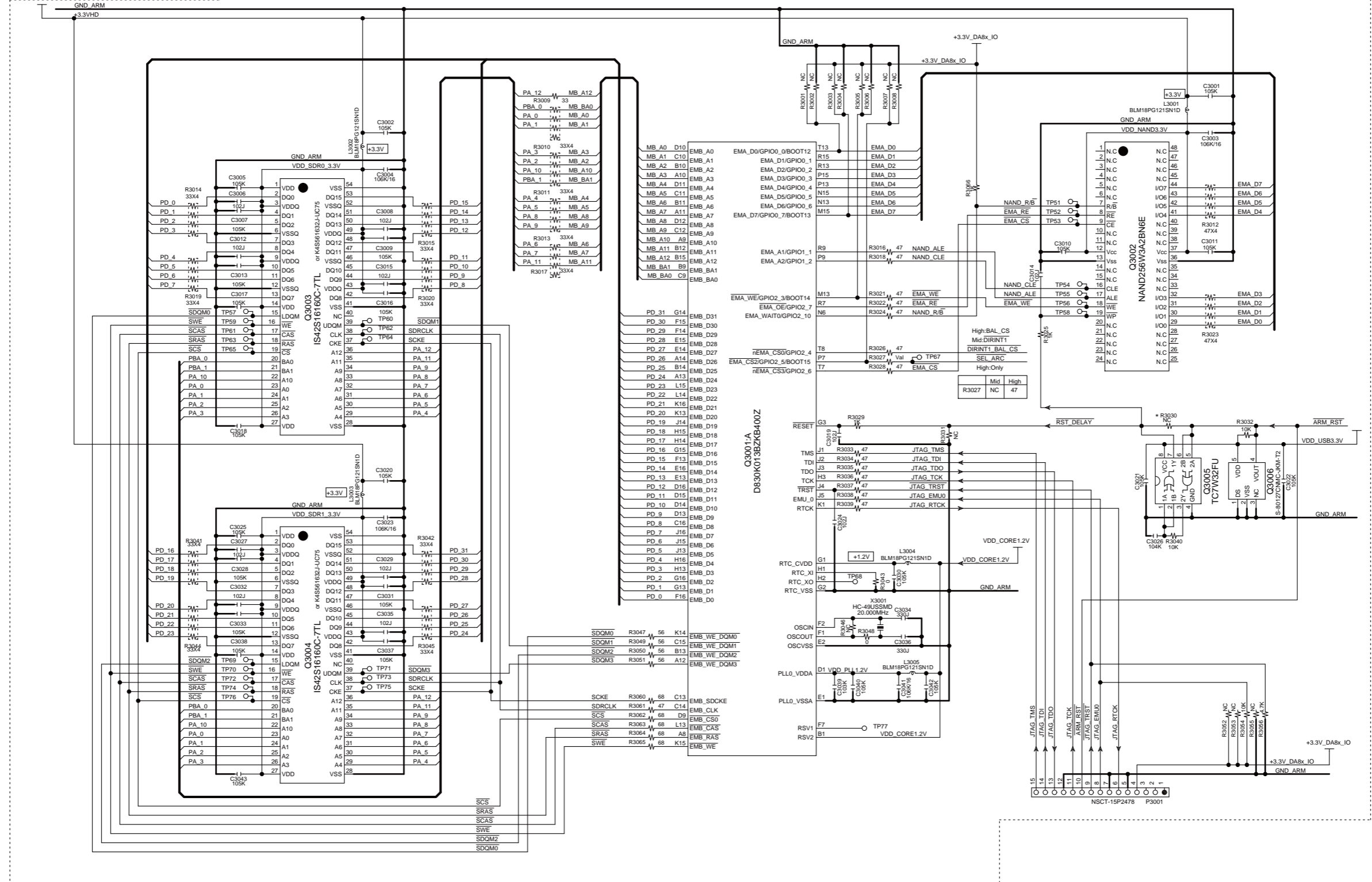
SCHEMATIC DIAGRAM-24

1ST DSP MEMORY SECTION

BAHDM-0797 : TX-NR709/809/1009, TX-NA709/809/1009, HT-RC370, DTR-40.3/50.3 PART-23

U007 HDMI/ DSP CIRCUIT PC BOARD

BAHDM-0797 (8 / 9)



1

2

3

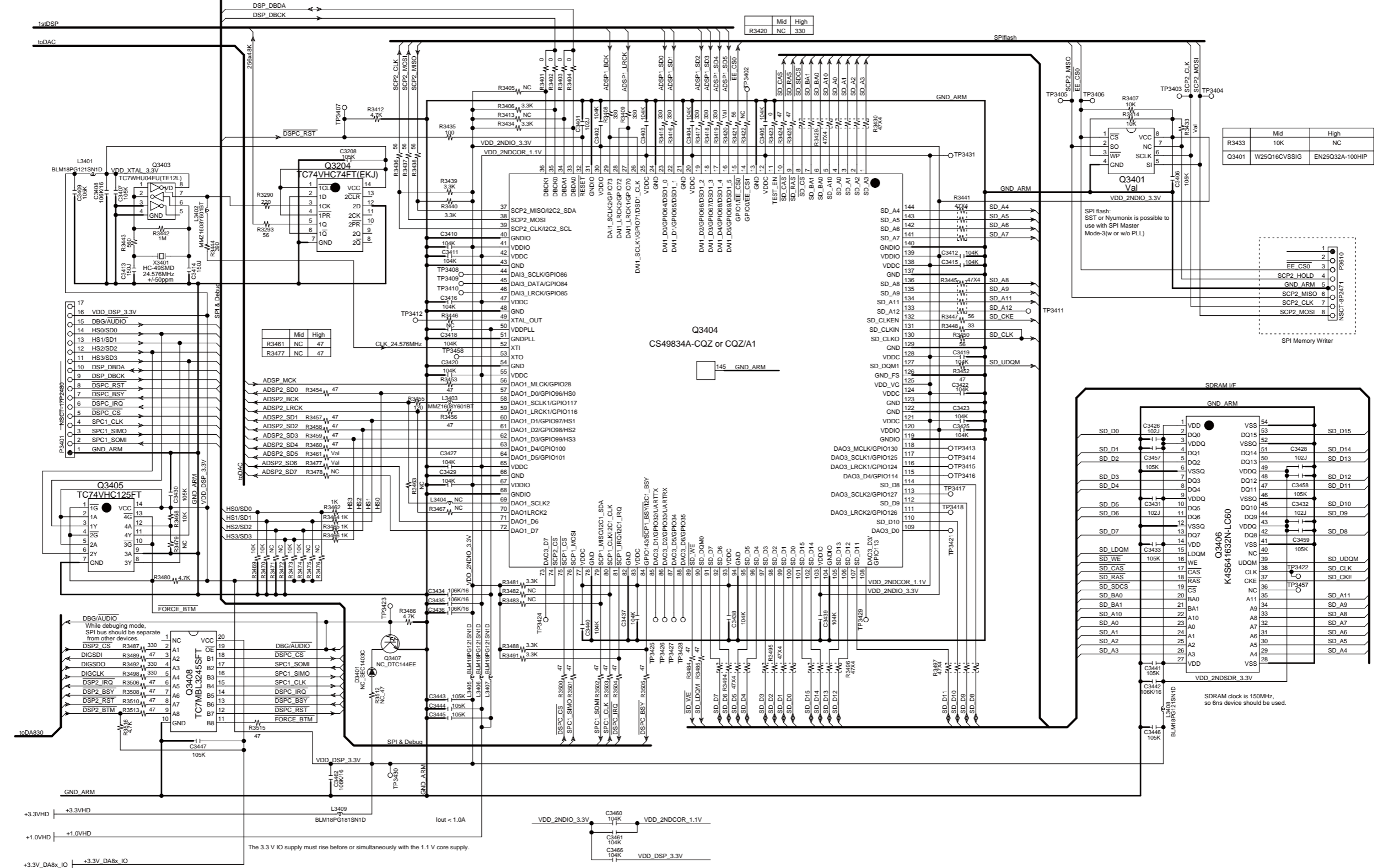
4

5

SCHEMATIC DIAGRAM-25
2ND DSP SECTION
PART-24

U007 HDMI/ DSP CIRCUIT PC BOARD
BAHDM-0797 (9/9)

1
2
3
4
5



The 3.3 V IO supply must rise before or simultaneously with the 1.1 V core supply.

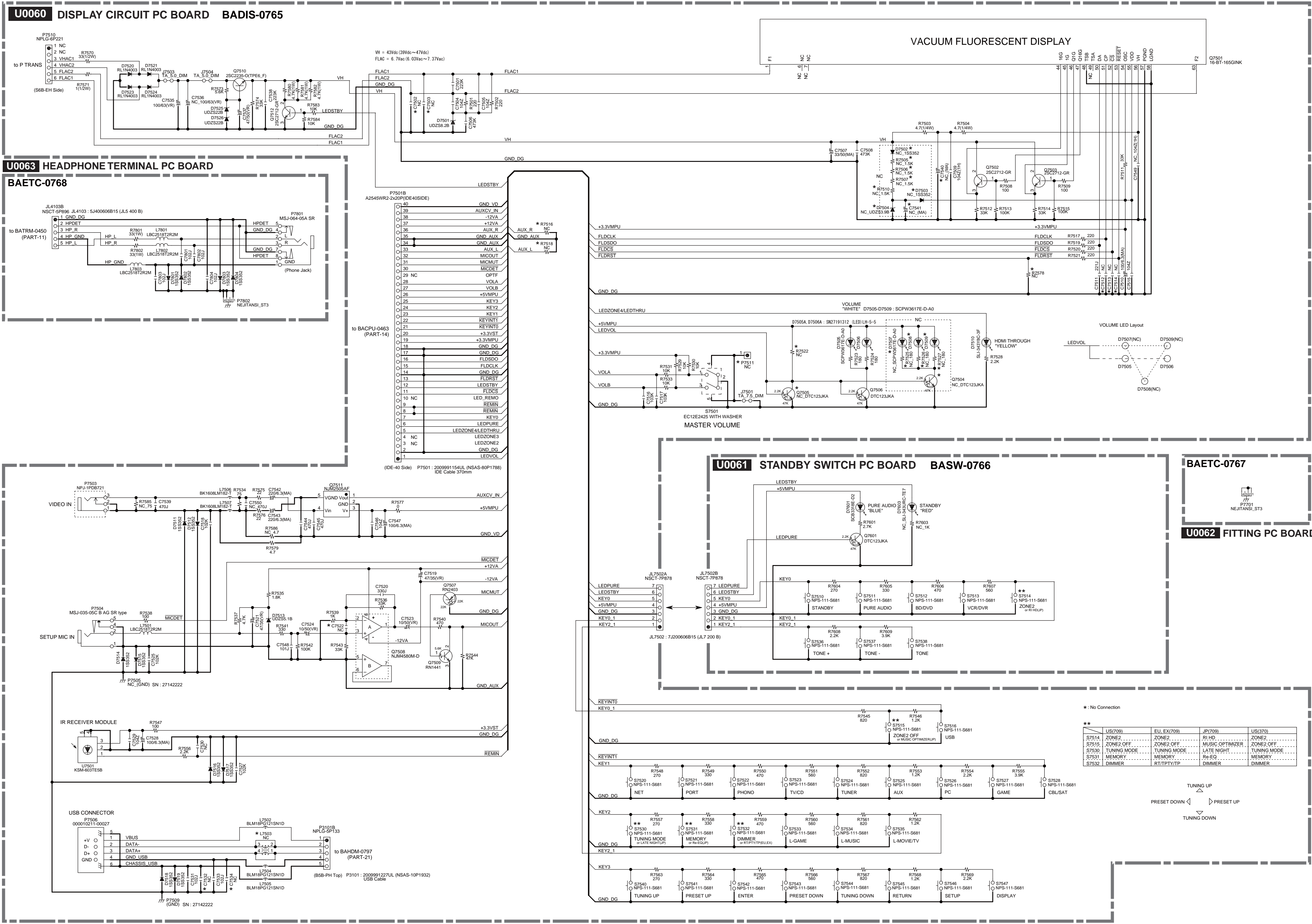
for bypassing high-frequency current of power plane

SCHEMATIC DIAGRAM-26

DISPLAY SECTION

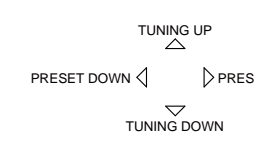
PART-25

1
2
3
4
5
6
7
8



*: No Connection

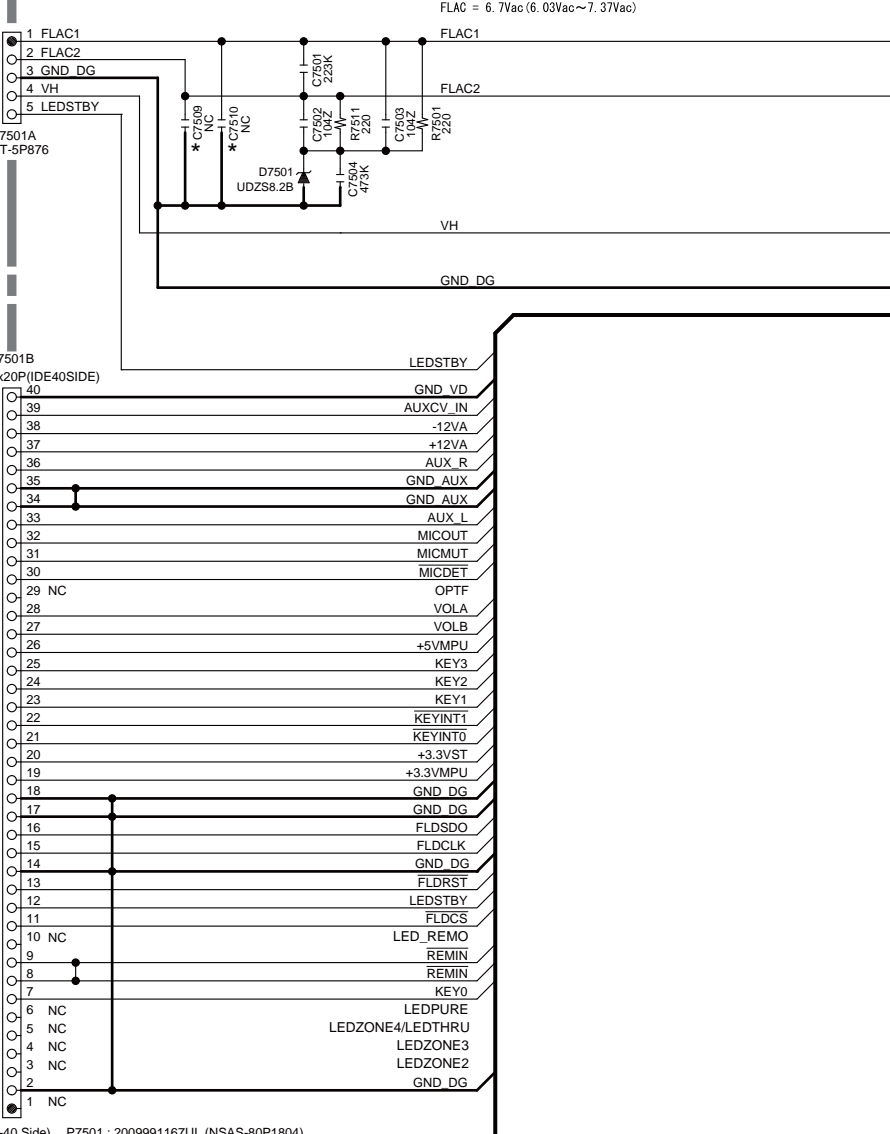
	US(709)	EU_EX(709)	JPI(709)	US(370)
S7514	ZONE2	ZONE2 OFF	RI_HD	ZONE2
S7515	ZONE2 OFF	ZONE2 OFF	MUSIC OPTIMIZER	ZONE2 OFF
S7530	TUNING MODE	TUNING MODE	LATE NIGHT	TUNING MODE
S7531	MEMORY	MEMORY	Re-EO	MEMORY
S7532	DIMMER	RT/TPT/TP	DIMMER	DIMMER



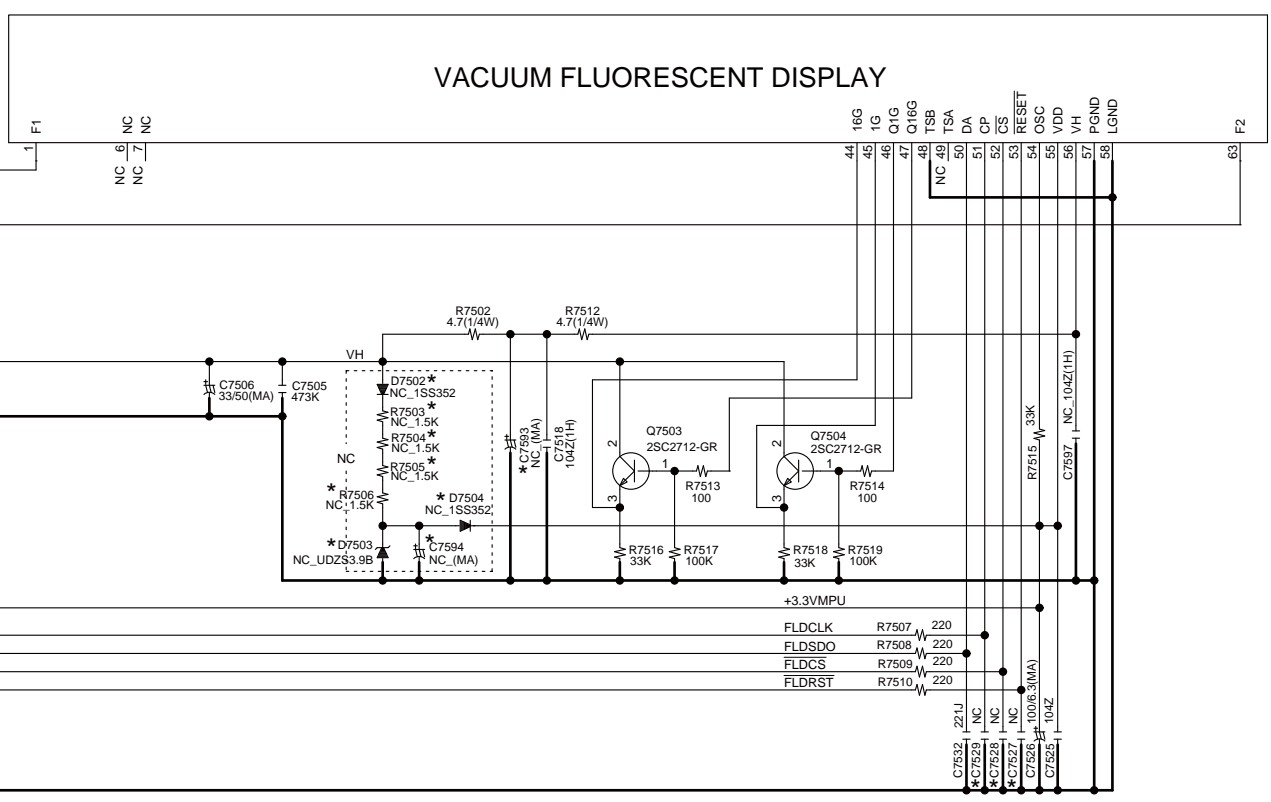
SCHEMATIC DIAGRAM-27
DISPLAY SECTION
PART-26

U0060 DISPLAY CIRCUIT PC BOARD

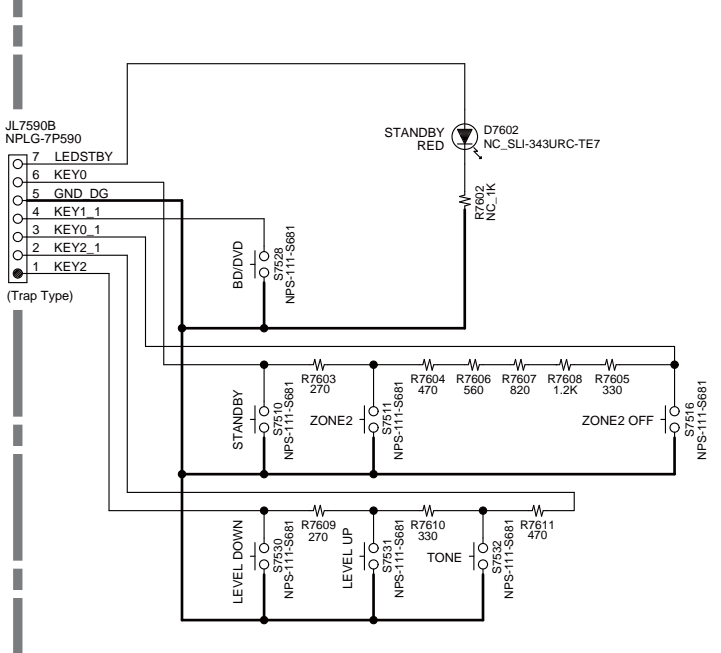
BADIS-0781



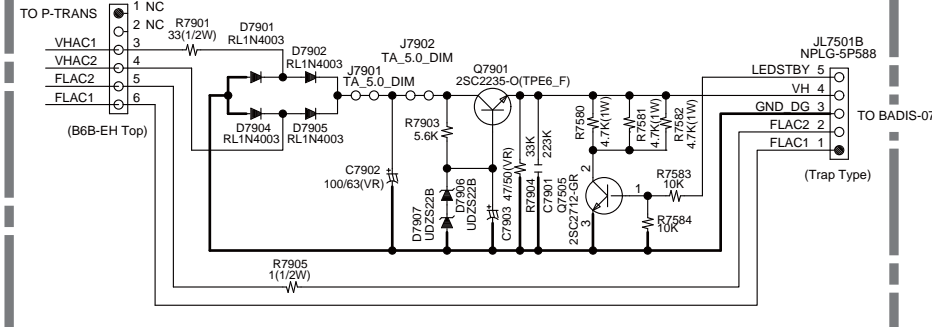
VACUUM FLUORESCENT DISPLAY



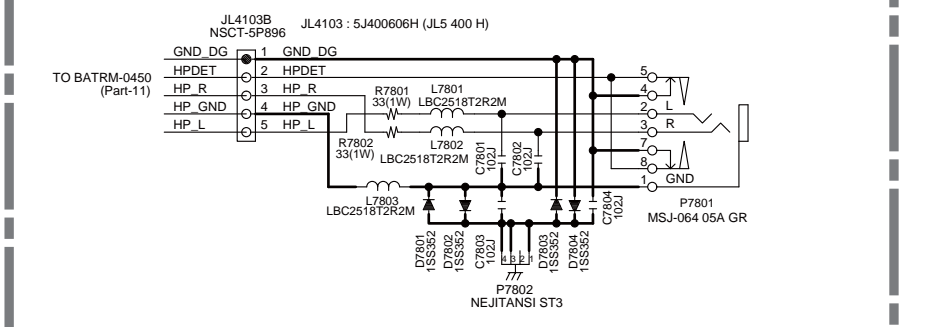
U0061 STANDBY SWITCH PC BOARD
BASW-0782



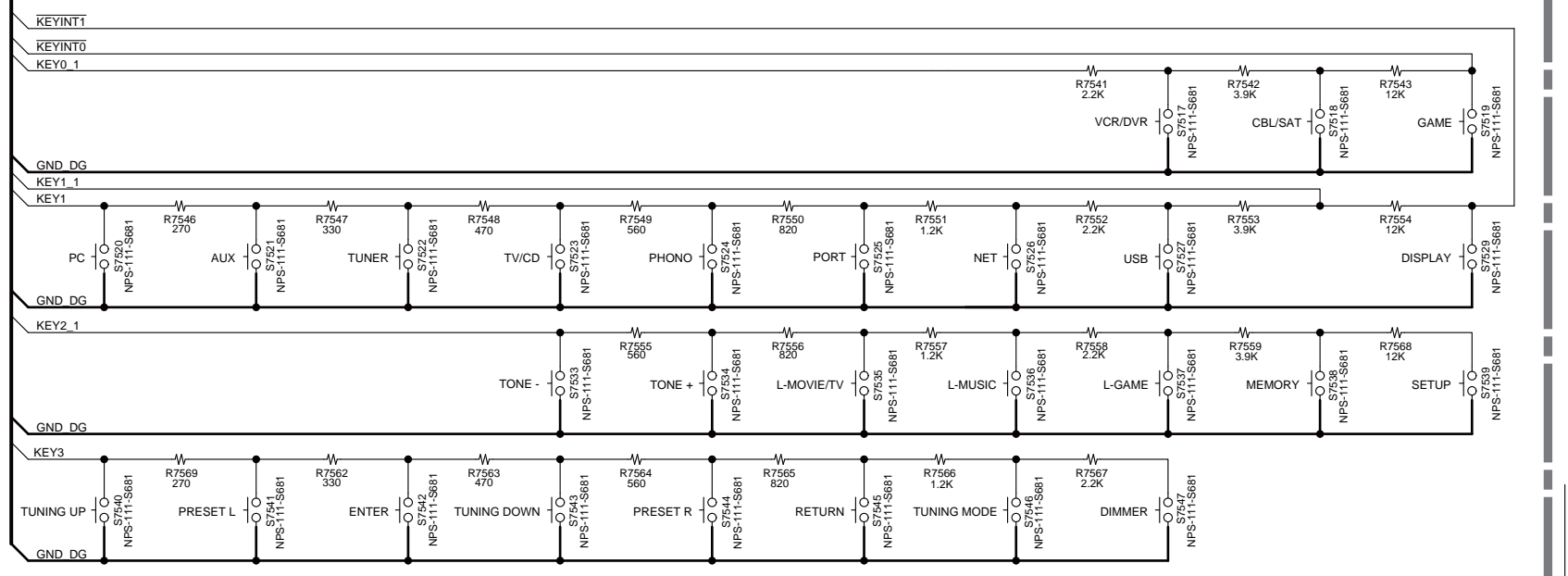
U0064 POWER SUPPLY PC BOARD
BAPS-0785



U0063 HEADPHONE TERMINAL PC BOARD
BAETC-0784



U0062 FITTING PC BOARD
BAETC-0783

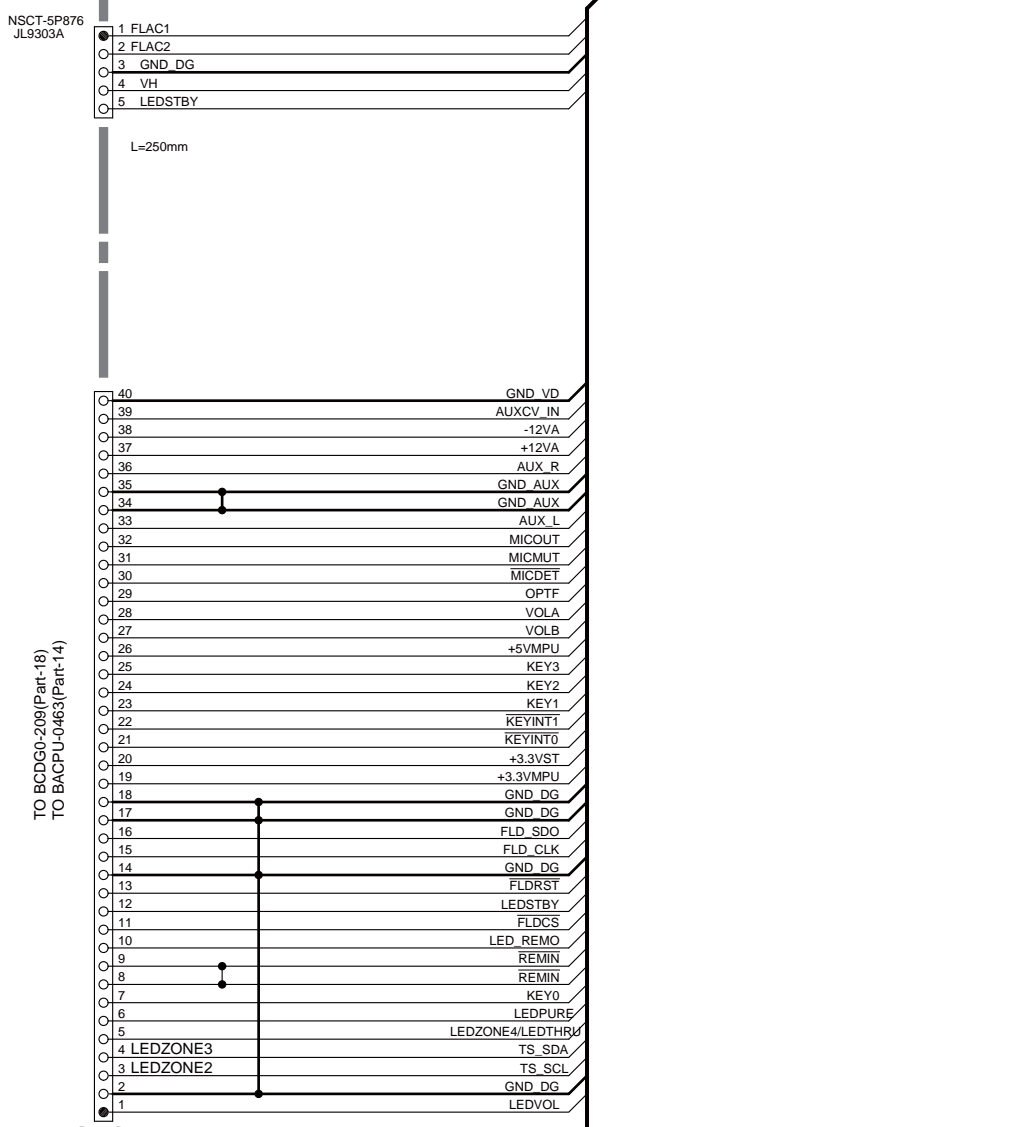


1
2
3
4
5
6
7
8

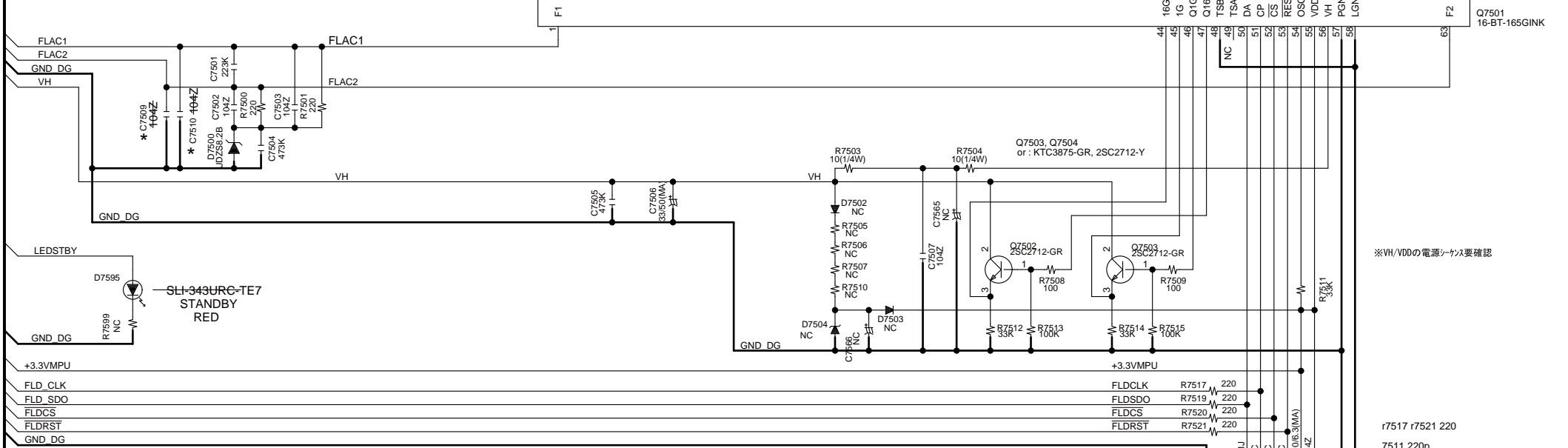
SCHEMATIC DIAGRAM-28
DISPLAY SECTION
PART-27

U0060 DISPLAY CIRCUIT PC BOARD

BADIS-0803

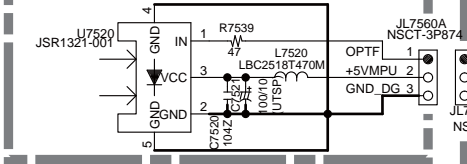


VACUUM FLUORESCENT DISPLAY

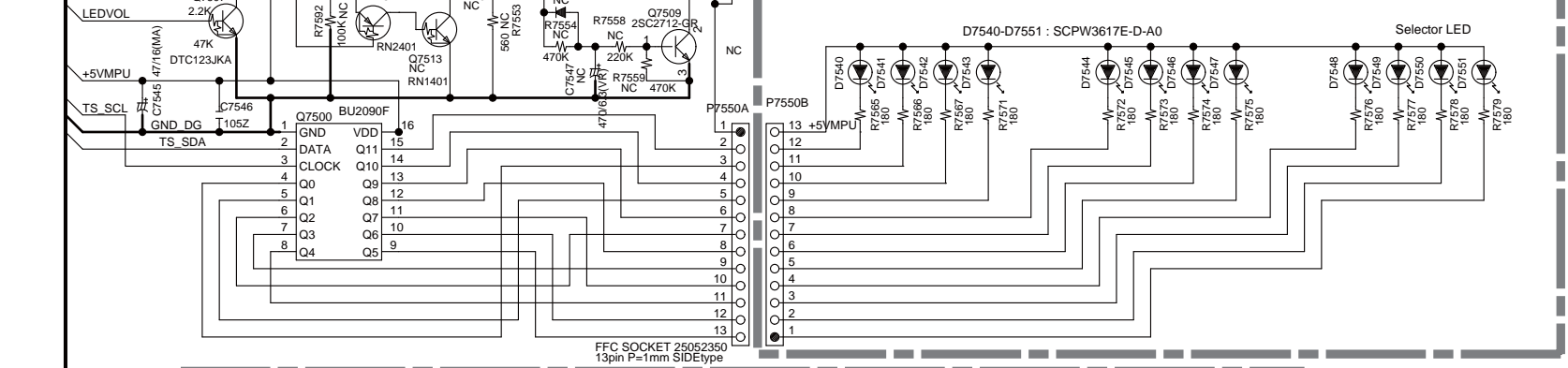


U0064 OPTICAL INPUT TERMINAL PC BOARD

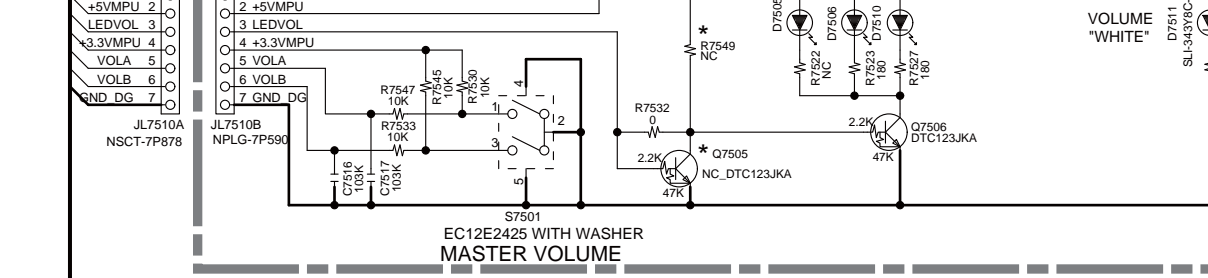
BAETC-0807



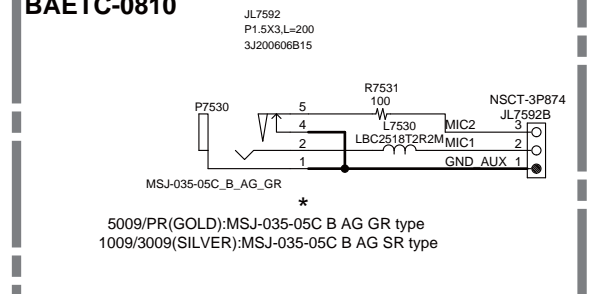
Uxxxx SELECTOR SWITCH PC BOARD BASW-0871



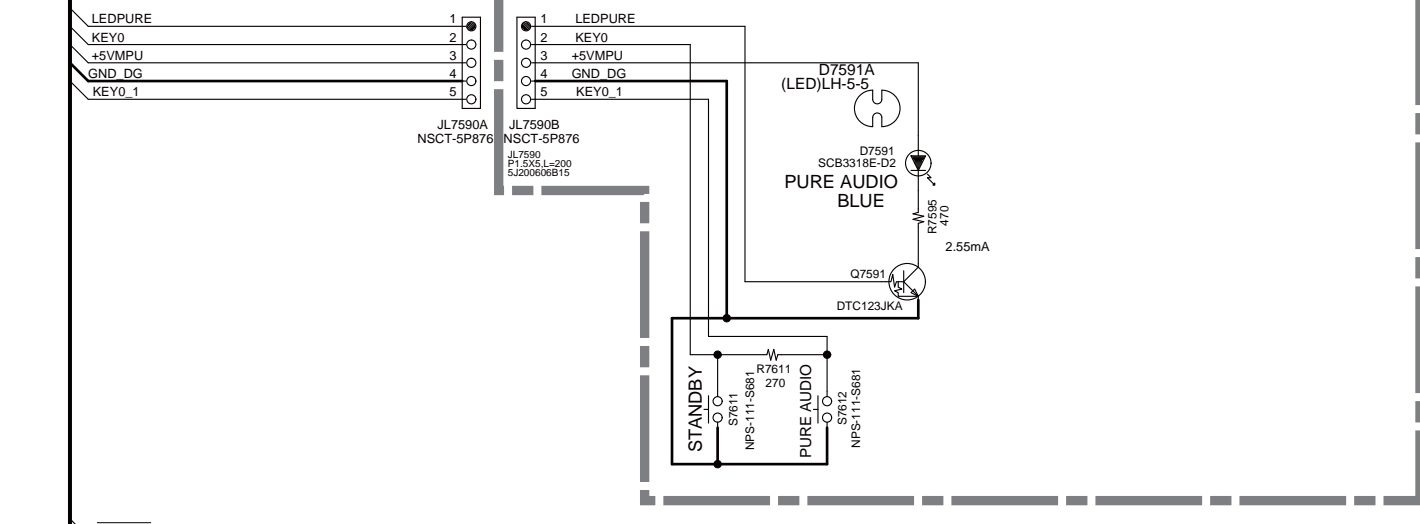
U0066 VOLUME PC BOARD BAETC-0809



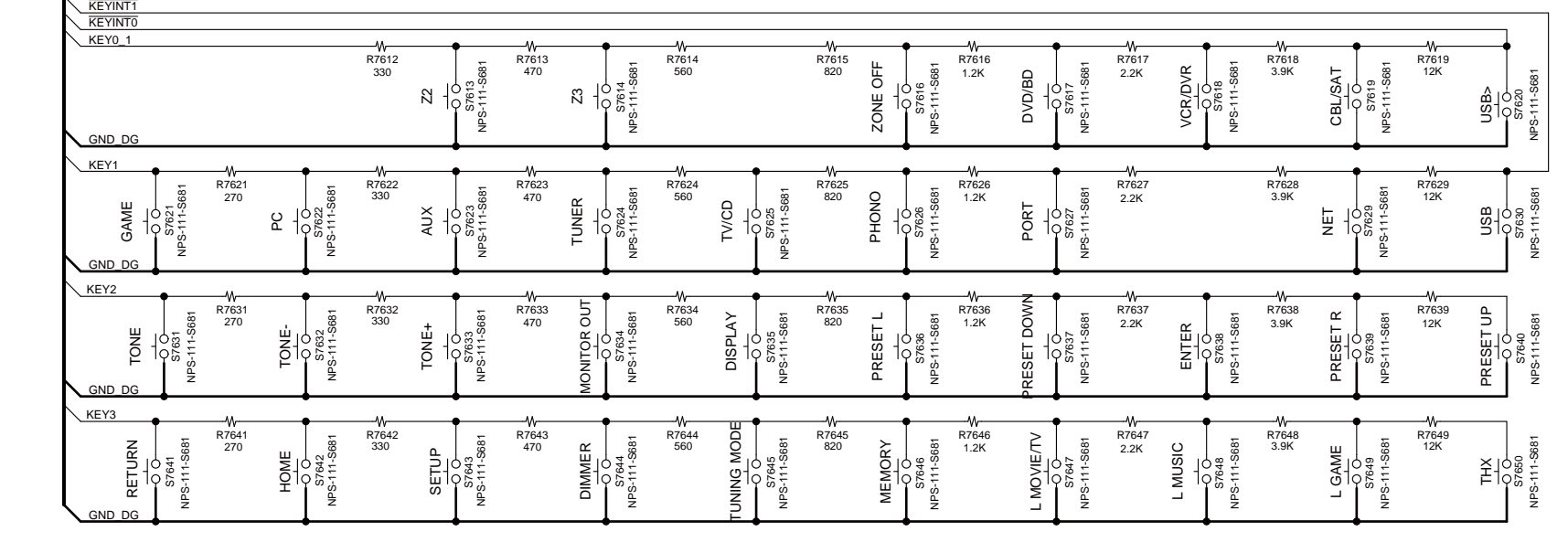
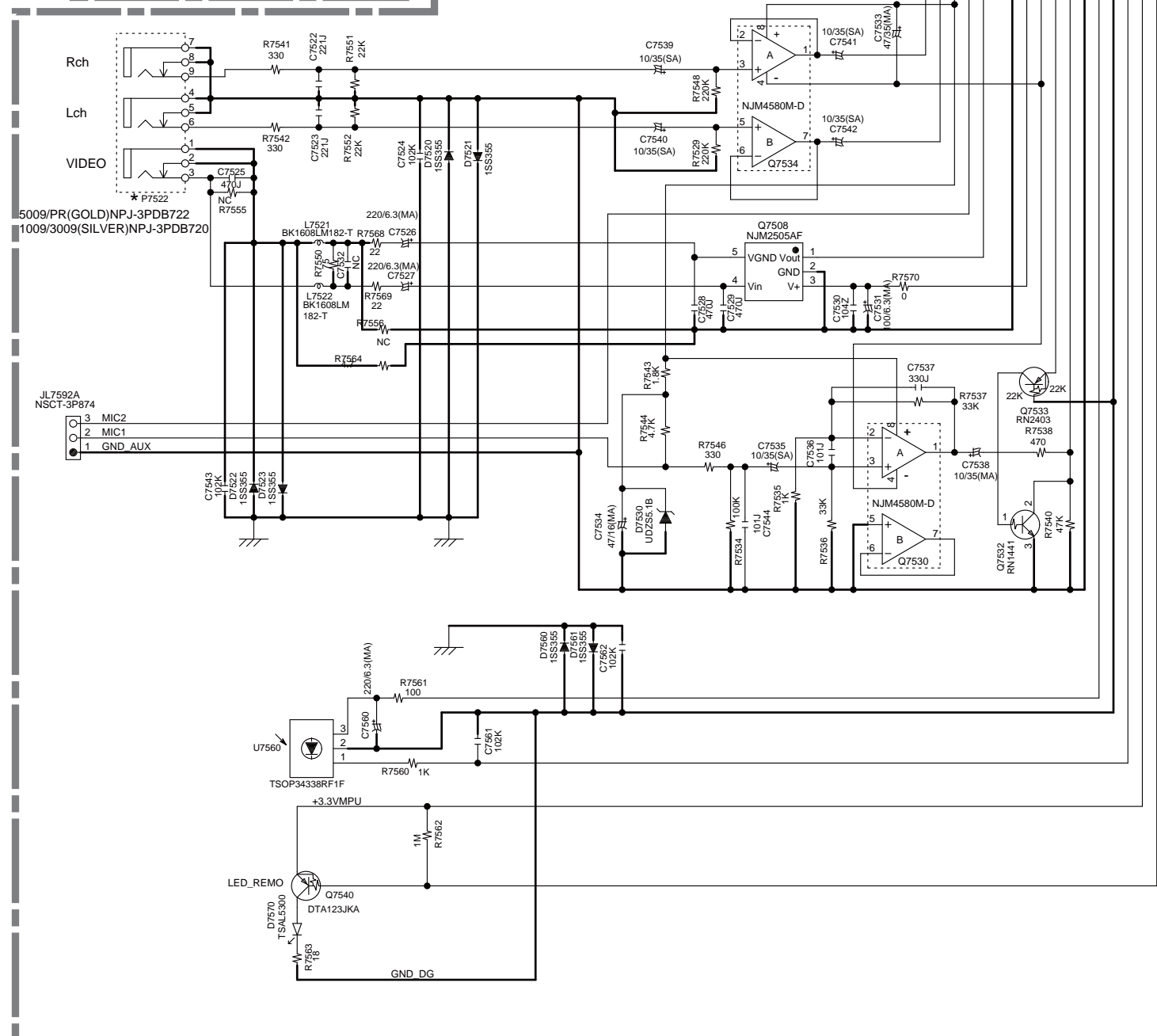
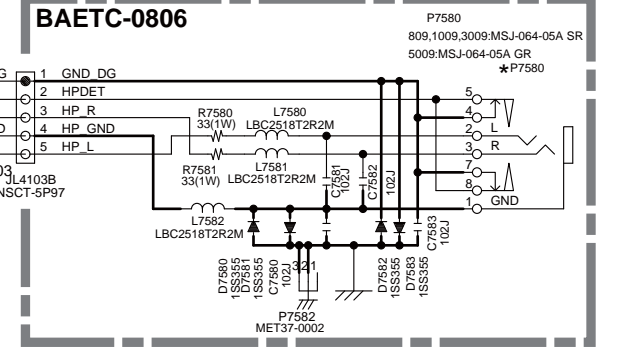
U0067 MIC INPUT TERMINAL PC BOARD



U0061 STANDBY SWITCH PC BOARD BASW-0804



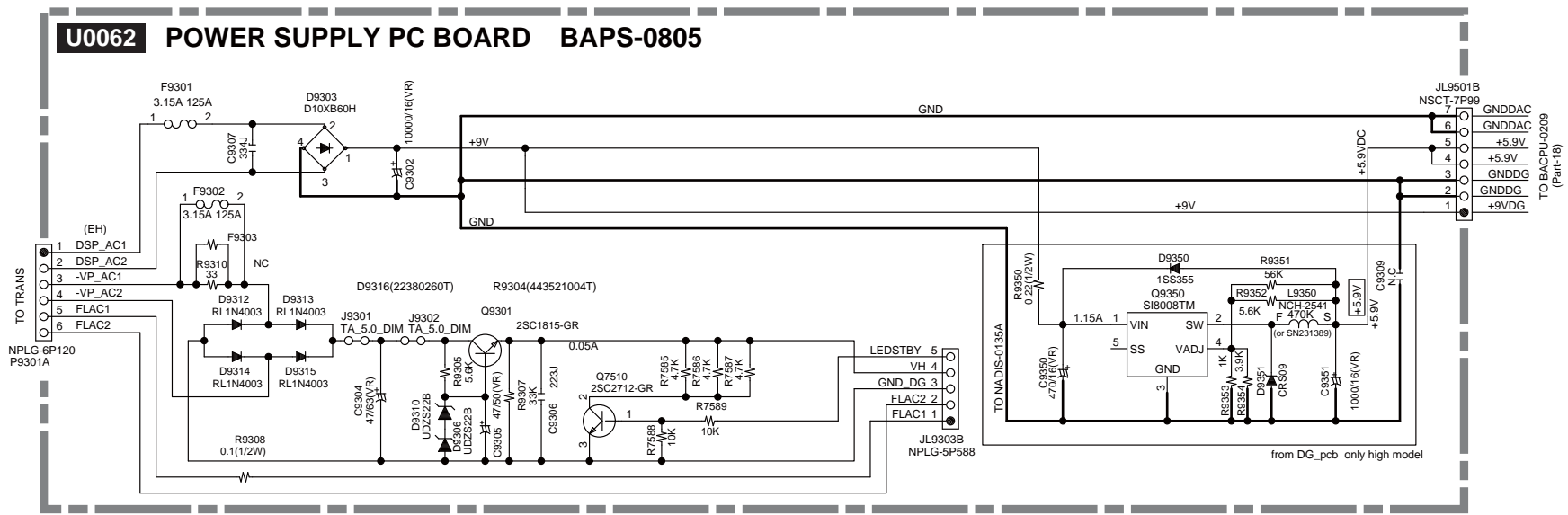
U0063 HEADPHONE TERMINAL PC BOARD



A B C D E

SCHEMATIC DIAGRAM-29
SECONDARY POWER SUPPLY SECTION
PART-28

1
2
3
4



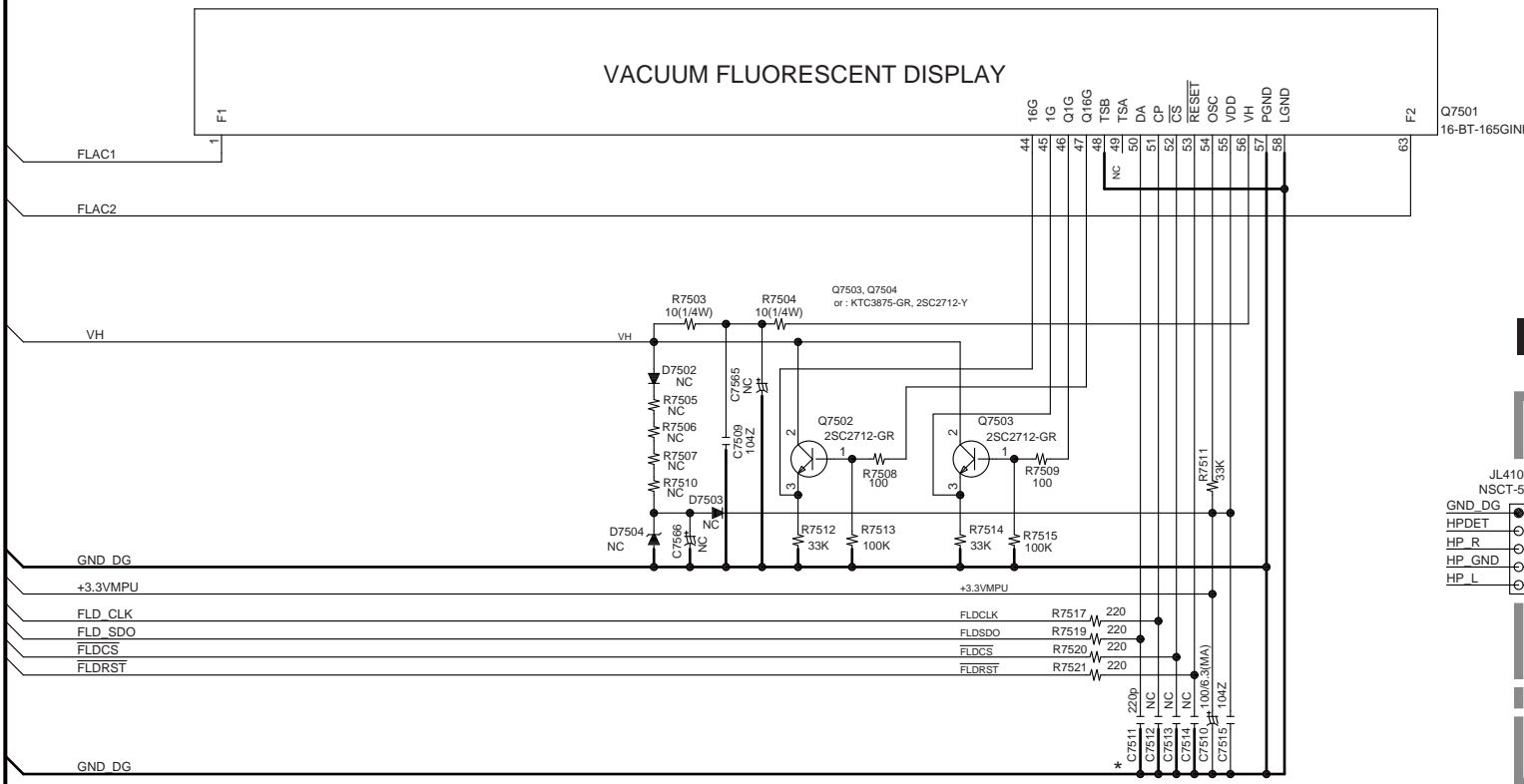
SCHEMATIC DIAGRAM-30
DISPLAY SECTION
PART-29

U0060 DISPLAY CIRCUIT PC BOARD

BADIS-0819

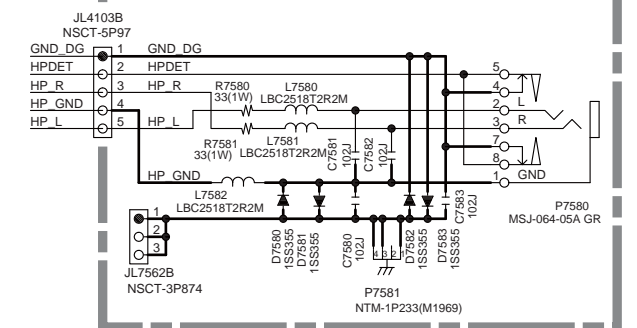


VACUUM FLUORESCENT DISPLAY



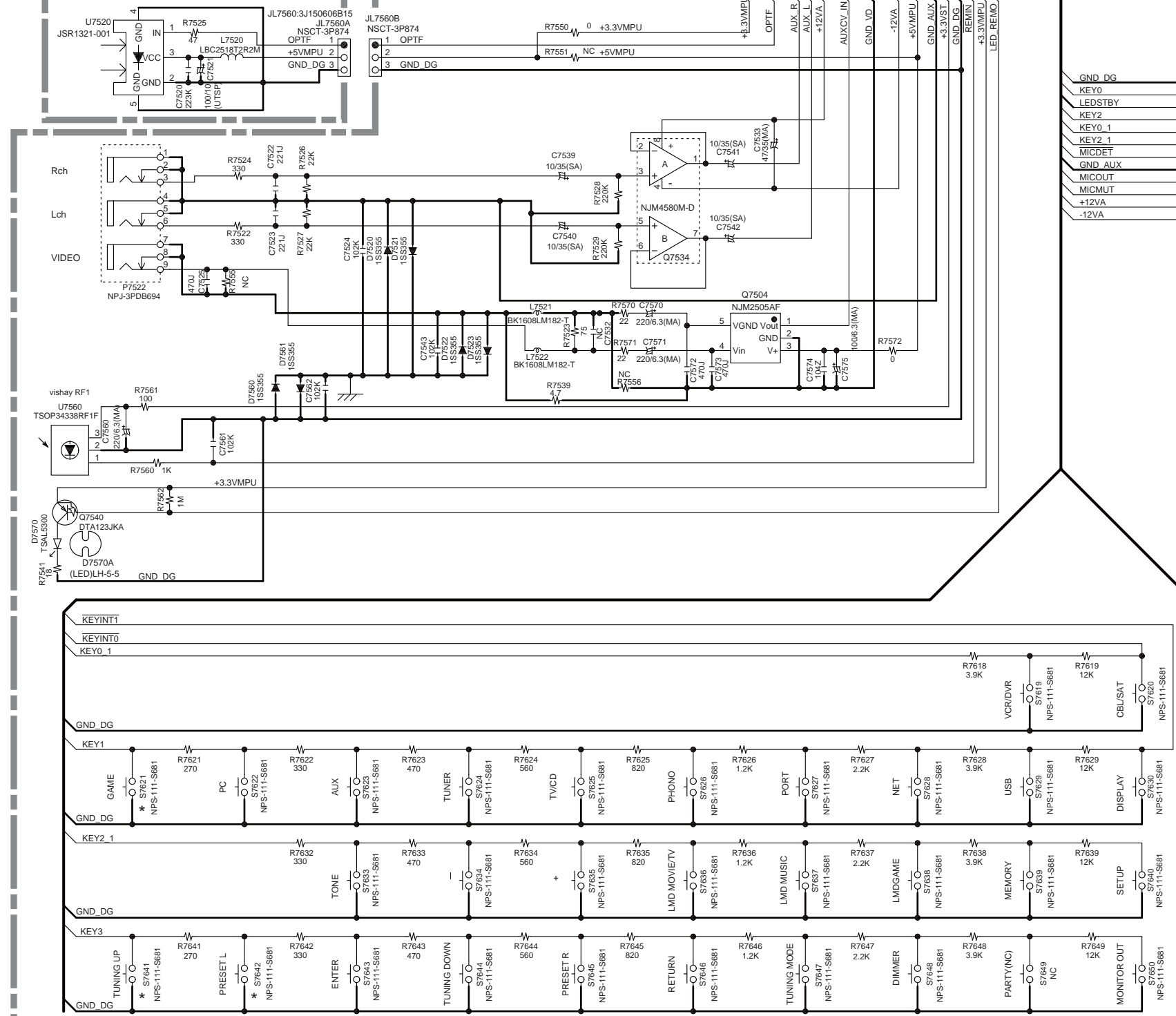
U0060 HEADPHONE TERMINAL PC BOARD

BAETC-0823



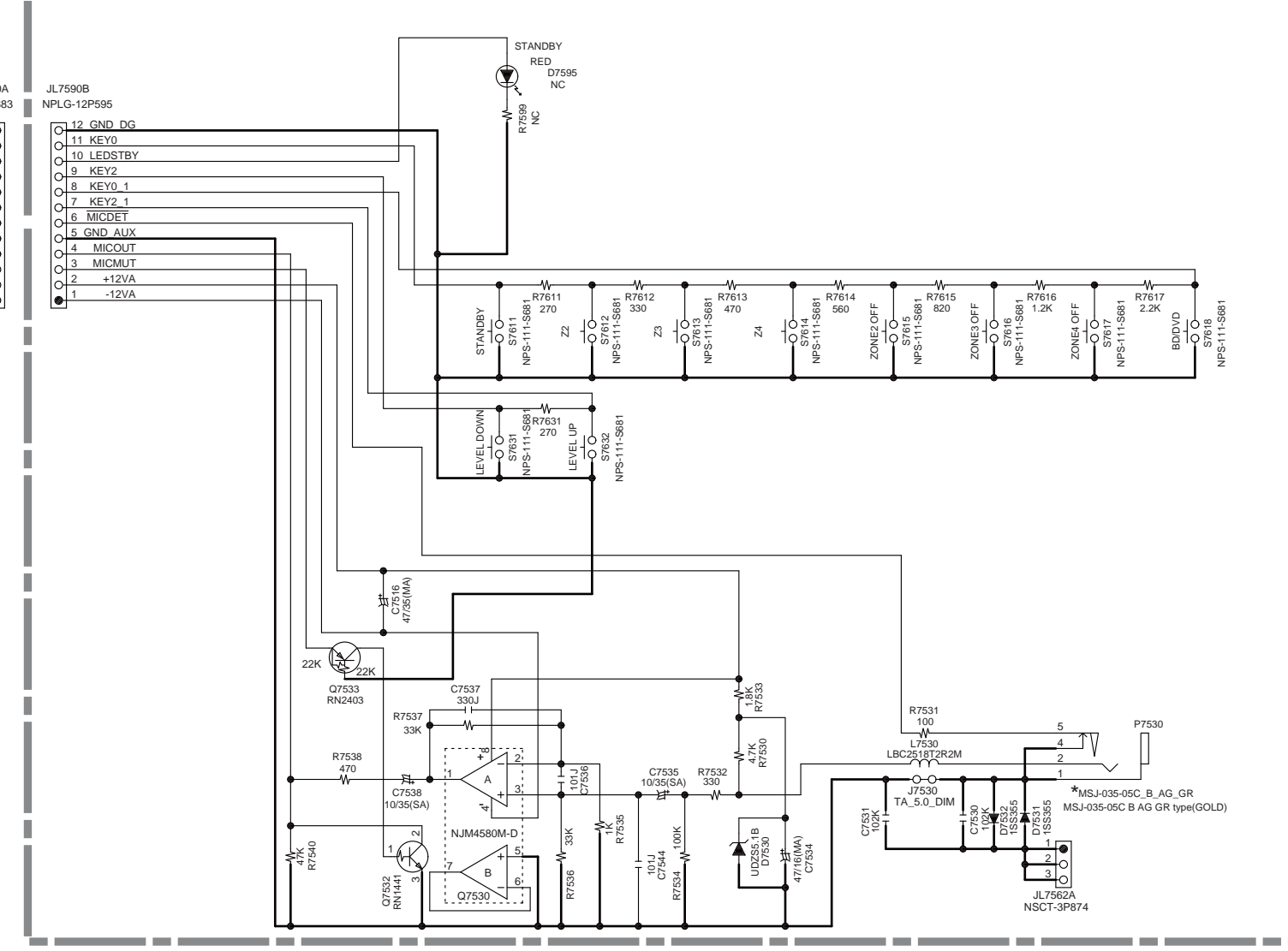
U0066 OPTICAL IN TERMINAL PC BOARD

BAETC-0825



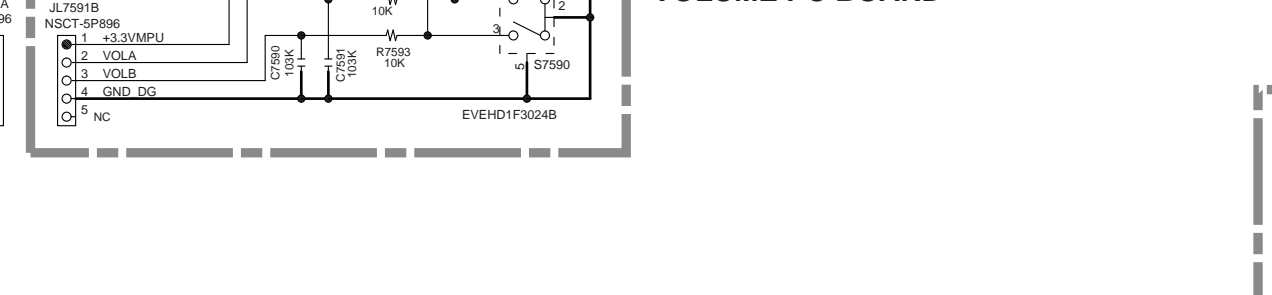
U0060 STANDBY SWITCH PC BOARD

BASW-0820



BAETC-0824

U0060 VOLUME PC BOARD



A

B

C

D

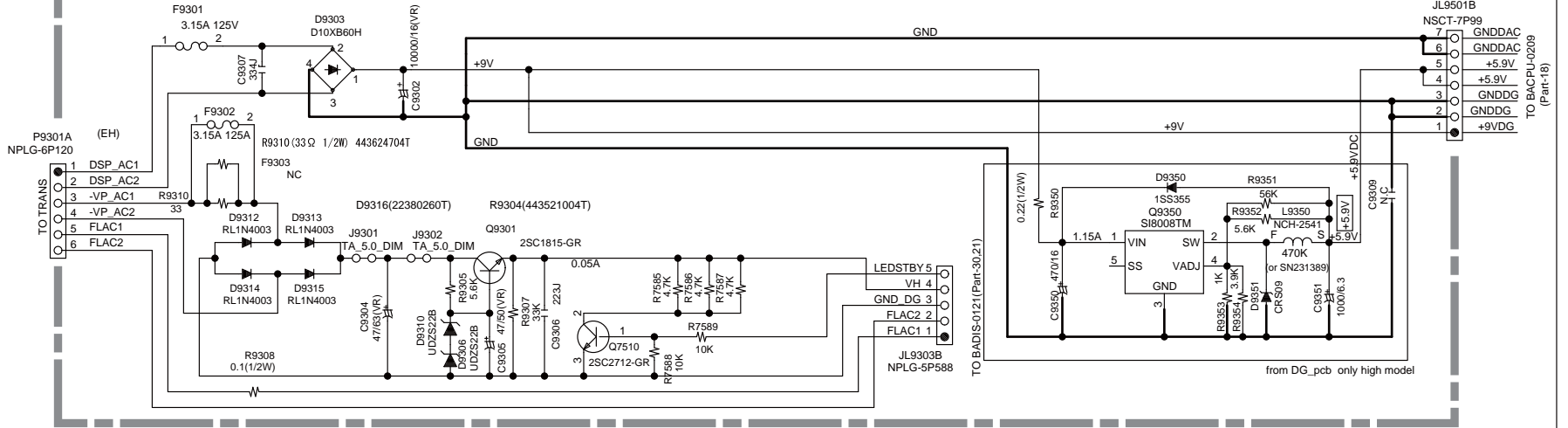
E

SCHEMATIC DIAGRAM-31
SECONDARY POWER SUPPLY SECTION
PART-30

1

BADIS-0819 (2/2)

U0063 POWER SUPPLY PC BOARD BAPS-0822



2

3

4

SCHEMATIC DIAGRAM-32
FRONT HDMI & USB SECTION
PART-31

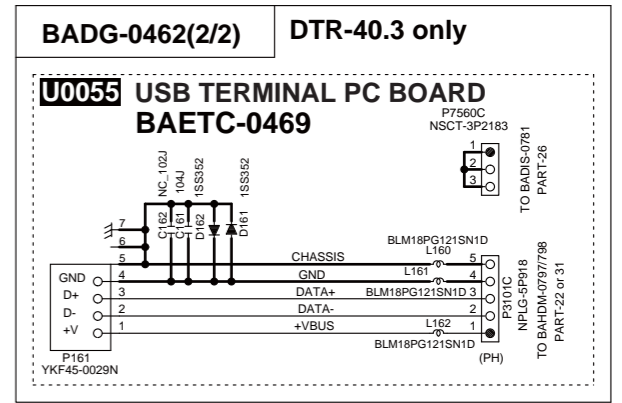
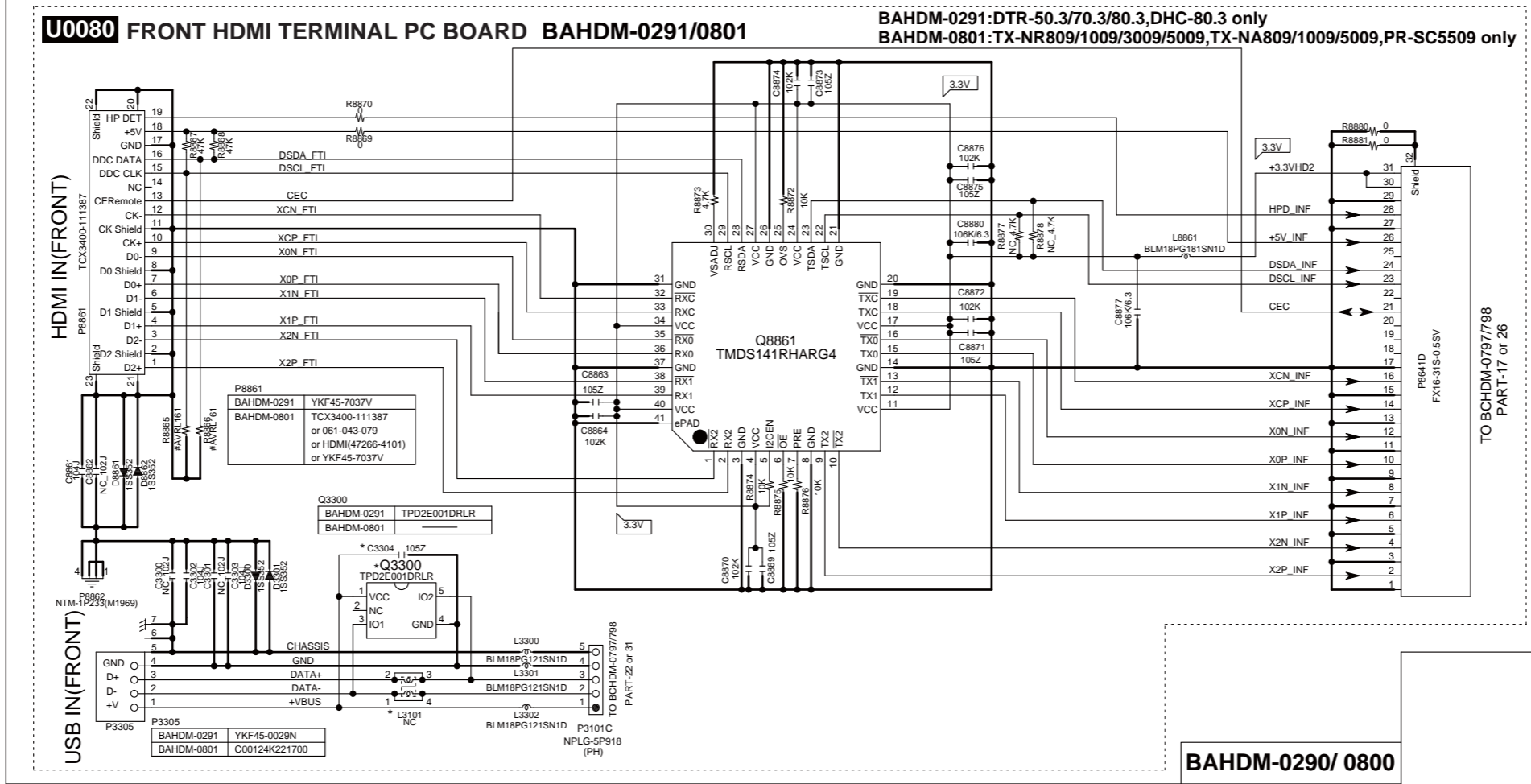
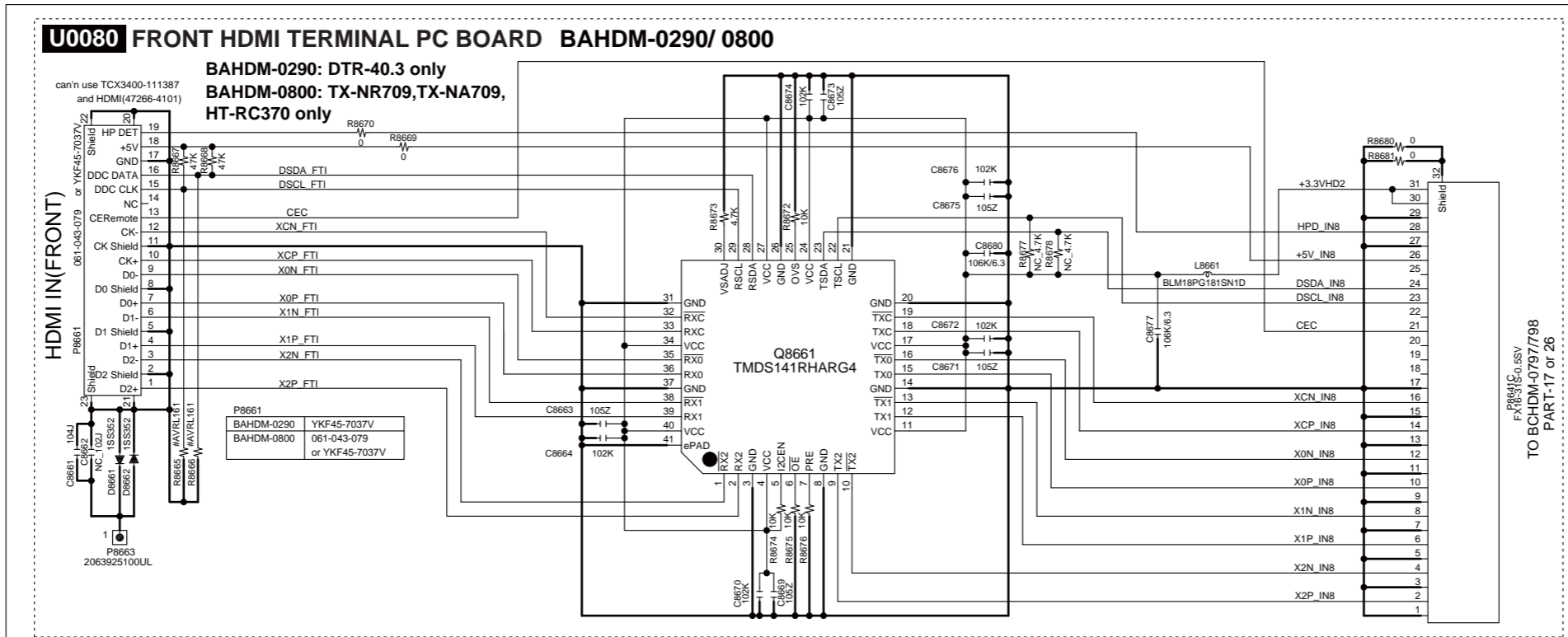
1

2

3

4

5



BAHDM-0290/ 0800

TX-NR809

<Note>

Parts marked by 'NSP' are generally unavailable because they are not in our Master Spare Parts List.

NOTE : THE COMPONENTS IDENTIFIED BY THE MARK ! ARE CRITICAL FOR RISK OF FIRE AND ELECTRIC SHOCK. REPLACE ONLY WITH PART NUMBER SPECIFIED.

<Notes>

 : Black model

<S> : Silver model

<MDC> : 120V, Canadian mode

<MMP> : 230V, CE(European) country model

<MMA> : 230V, Australian model

<MMB> : 230V, UK model

<MMQ> : 220-240V, Hong kong model

<MMR> : 220-240V, Chinese model

<MDF> : 120V, Taiwanese model

EV EXPLODED VIEW PARTS LIST

EV

EV

EV

EV

EV

EV

EV

EV

EV

EV

EV

EV

EV

EV

EV

EV

EV

EV

EV

EV

EV

EV

EV

EV

EV

EV

REF. NO.	PART NAME	DESCRIPTION	Q'TY	PART NO. (SN)	REMARKS
[SEMI CONDUCTOR]					
D6901	DIODE	D10XB60H	1	22380337	
Q6050	TR	TTC0001(Q_T)TO3PN	1	2204130	
Q6050A	ISO SHEET	ISO SHEET(NR808_3CH)	1	223055	
Q6051	TR	TTC0001(Q_T)TO3PN	1	2204130	
Q6051A	ISO SHEET	ISO SHEET(NR1008_4CH)	1	223053	
Q6054	TR	TTC0001(Q_T)TO3PN	1	2204130	
Q6055	TR	TTC0001(Q_T)TO3PN	1	2204130	
Q6056	TR	TTC0001(Q_T)TO3PN	1	2204130	
Q6057	TR	TTC0001(Q_T)TO3PN	1	2204130	
Q6058	TR	TTC0001(Q_T)TO3PN	1	2204130	
Q6060	TR	TTA0001(Q_T)TO3PN	1	2204120	
Q6060A	ISO SHEET	ISO SHEET(NR808_3CH)	1	223055	
Q6061	TR	TTA0001(Q_T)TO3PN	1	2204120	
Q6061A	ISO SHEET	ISO SHEET(NR1008_4CH)	1	223053	
Q6064	TR	TTA0001(Q_T)TO3PN	1	2204120	
Q6065	TR	TTA0001(Q_T)TO3PN	1	2204120	
Q6066	TR	TTA0001(Q_T)TO3PN	1	2204120	
Q6067	TR	TTA0001(Q_T)TO3PN	1	2204120	
Q6068	TR	TTA0001(Q_T)TO3PN	1	2204120	
[CHASSIS SCREW]					
A001	HEAT SINK	(W)	1	27160645A	

EV	A003	RETAINER	(HT)	2	27142202	
EV	A005	SPACER	(PC)	6	27270485	
EV	A007	SPACER	t0.5xφ8xφ3.2フロン	1	27270438	
EV	A009	BRACKET	(HT)	1	27131080A	
EV	A011	HOLDER	KGPS-18RF	1	27190926	
EV	A013	SCREW	3TTB+8B(3BC)	6	838430088GR	
EV	A015	SCREW	3TTB+8B(3BC)	6	838430088GR	
EV	A017	SCREW	3SMS8W.SW+14B(CU)	14	801634	
EV	A019	SCREW	3TTB+8B(3BC)	7	838430088GR	
EV	A021	SCREW	3SMS8W.SW+14B(CU)	1	801634	
EV	A023	SCREW	3P+6FN(3BC)	6	82143006GR	
EV	A025	SCREW	3TTB+8B(3BC)	2	838430088GR	
EV	A027	CUSHION	t3*60*5cr rubber	2	28141849	
EV	A028	BUSHING	CE-016 L=25	1	28170097	
EV	A029	TAPE	TAPE(CLOTH-8U)	1	29110082	
EV	A031	IB CUSHION	W15*3t TAPE	1	28141585	
EV	A033	WIRE TIE	BSK-1	4	260208	
EV	A035	CHASSIS	---	1	27100548B	
EV	A037	BOTTOM LEG	---	4	27175452	
EV	A039	CUSHION	(LEG)	4	28141735	
EV	A041	IB CUSHION	W15*3t TAPE	1	28141585	
EV	A043	CUSHION	(BUTYL)	1	28141748	
EV	A045	SCREW	3TTB+8B(3BC)	4	838430088GR	
EV	A047	HOLDER	HOLDER KGLS-8S	4	27190480	
EV	A049	HOLDER	KGPS-14RF	3	27190802	
EV	A051	HOLDER	KGPS-14RF	1	27190802	
EV	A053	HOLDER	HOLDER KGLS-18S	2	27190470	
EV	A055	HOLDER	HOLDER KGLS-18S	2	27190470	
EV	A057	HOLDER	KGLS-14S	1	27190164	
EV	A059	HOLDER	KGLS-10RT	1	27190428A	
EV	A061	HOLDER	KGLS-12RT	1	27190266	
EV	A063	HOLDER	KGLS-22RT	2	27190772	
EV	A065	SCREW	3TTB+8B(3BC)	1	838430088GR	
EV	A067	SCREW	3TTB+8B(3BC)	2	838430088GR	
EV	A069	BUSHING	(FAN)	8	28170101	
EV	A071	CUSHION	FELT 65*15	2	28141847	
EV	A073	PLATE	(FAN)	1	27262850C	
EV	A099	CUSHION	T10*90*55HBK	2	28141862	
EV	A101	BRACKET	(F)	1	27131081B	N

EV	A105	RETAINER	(C)	2	27142181C	
EV	A107	HOLDER	KGLS-22S	1	27190369	
EV	A109	WS CLAMP	WS-3NS	3	260220	
EV	A111	HOLDER	WS-4NS	1	27191207	
EV	A113	HOLDER	SPM-4	4	27191154	
EV	A115	HOLDER	KGLS-4S	3	27190009	
EV	A117	WS CLAMP	WS-3NS	1	260220	
EV	A119	BUSHING	L125	2	28170004	
EV	A121	BUSHING	BUSHING	1	28170041	
EV	A123	SCREW	3TTB+8B(3BC)	5	838430088GR	
EV	A125	SCREW	3TTB+8B(3BC)	2	838430088GR	
EV	A127	SCREW	3TTB+8B(3BC)	9	838430088GR	
EV	A129	SCREW	3TTB+8B(3BC)	6	838430088GR	
EV	A131	SCREW	4TTC+8C(3BC)	4	830440089GR	
EV	A133	SCREW	3TTB+8B(3BC)	7	838430088GR	
EV	A137	IB CUSHION	W15*3t TAPE	1	28141585	
EV	A139	CUSHION	(BUTYL)	1	28141748	
EV	A141	CUSHION	(BUTYL)	1	28141748	
EV	A143	TAPE	TAPE(CLOTH-8U)	1	29110082	
EV	A145	LABEL	(PT)	1	29391178	
EV	A147	WIRE TIE	BSK-1	9	260208	
EV	A149	LABEL	(SP1)	1	29390790	
EV	A151	LABEL	(SP2)	1	29390791	
EV	A153	CUSHION	---	2	28141799	
EV	A251	REAR PANEL	NR809DF	1	27124276	N <MDF>
EV	A251	REAR PANEL	NR809DC	1	27124270A	N <MDC>
EV	A251	REAR PANEL	NR809MP	1	27124271A	N <MMA, MMB, MMP, MMQ>
EV	A251	REAR PANEL	NR809MR	1	27124272A	N <MMR>
EV	A255	SCREW	3TTB+8B(3BC)	12	838430088GR	
EV	A256	SCREW	3TTB+8B(3BC)	10	838430088GR	
EV	A257	SCREW	3TTB+8B(3BC)	8	838430088GR	
EV	A259	SCREW	3TTB+8B(3BC)	5	838430088GR	
EV	A263	SCREW	3TTB+8B(3BC)	2	838430088GR	
EV	A264	SCREW	3TTB+8B(3BC)	1	838430088GR	
EV	A265	SCREW	3P+6FN(3BC)	9	82143006GR	
EV	A267	SCREW	3P+6FN(3BC)	2	82143006GR	
EV	A271	SCREW	3P+6FN(3BC)	1	82143006GR	
EV	A273	SCREW	3TTF+10B(3BC)	2	835430108GR	
EV	A275	TRM	E TERMINAL	1	25060151	

EV	A279	WASHER	W3*10F(3BC)	1	87643010GR	
EV	[CABINET]					
EV	A401	F BRACKET	(B)	1	27111594C	
EV	A401	F BRACKET	(S)	1	27111595C	<S>
EV	A403	SCREW	3TTB+8B(3BC)	3	838430088GR	
EV	A407	SCREW	3TTB+8B(3BC)	13	838430088GR	
EV	A409	SCREW	3TTB+8B(3BC)	4	838430088GR	
EV	A411	SCREW	3TTB+8B(3BC)	2	838430088GR	
EV	A413	SCREW	3TTB+8B(3BC)	1	838430088GR	
EV	A415	SCREW	3TTB+8B(3BC)	1	838430088GR	
EV	A417	SCREW	3TTB+8B(3BC)	1	838430088GR	
EV	A419	SCREW	3TTB+8B(3BC)	2	838430088GR	
EV	A421	IB CUSHION	W15*3t TAPE	1	28141585	
EV	A423	CUSHION	(BUTYL)	1	28141748	
EV	A427	SCREW	3P+6FN(3BC)	2	82143006GR	<MMA, MMB, MMP, MMQ, MMR>
EV	A429	SCREW	3TTB+8B(3BC)	2	838430088GR	<MMA, MMB, MMP, MMQ, MMR>
EV	A431	B PLATE	(B)	1	28133428	
EV	A431	B PLATE	---	1	28133430	<S>
EV	A433	PLATE	(DOOR)809BDC	1	27262866B	N <MDC, MDF>
EV	A433	PLATE	(DOOR)809BMP	1	27262867B	N <MMA, MMB, MMP, MMQ, MMR>
EV	A433	PLATE	(DOOR)809SMP	1	27262868B	N <S MMP>
EV	A435	GUIDE	(SEL)B	1	27268279B	
EV	A435	GUIDE	(SEL)S	1	27268280B	<S>
EV	A437	SCREW	2.6TTB+8B(3BC)	4	838426088GR	
EV	A438	SCREW	3TTB+6B(3BC)	2	838430068GR	
EV	A439	KNOB	(SEL)B	3	28326969B	
EV	A439	KNOB	(SEL)S	3	28326970B	<S>
EV	A441	KNOB	(CUR)AS BLACK	1	28326994A	
EV	A441	KNOB	(CUR)AS SILVER	1	28326995A	<S>
EV	A447	KNOB	(ENTER) BLK	1	28326990	N
EV	A447	KNOB	(ENTER) SIV	1	28326991	N <S>
EV	A449	KNOB	(INP)BLK	2	28326971A	
EV	A449	KNOB	(INP)SIV	2	28326972A	<S>
EV	A450	KNOB	(INP)BLK3_4	2	28327057	
EV	A450	KNOB	(INP)SIV3_4	2	28327058	<S>
EV	A451	KNOB	(SETUP)BLK	2	28326973A	
EV	A451	KNOB	(SETUP)SIV	2	28326974A	<S>
EV	A453	FACET	(HDM)	1	28200057	N
EV	A455	FACET	(PURE)	1	28200056	N

EV	A481	RETAINER	(ETH)	1	27142236A	
EV	A483	RETAINER	(HDM)	1	27142235A	
EV	A485	TAPE	TAPE(CLOTH-16U)	1	29110083	
EV	A486	TAPE	TAPE(CLOTH-16U)	1	29110083	
EV	A487	CUSHION	T15*30*10	1	28141802	
EV	A489	KNOB	(POW)AS(S)	1	28326899B	<S>
EV	A489	KNOB	(POW)AS(B)	1	28326900B	
EV	A491	BUSHING	(DOOR)B	2	28170104A	
EV	A491	BUSHING	(DOOR)S	2	28170105A	<S>
EV	A493	FACET	(VOL)	1	28200059	
EV	A495	TAPE	TAPE(CLOTH-8U)	1	29110082	
EV	A497	TAPE	TAPE(CLOTH-8U)	1	29110082	
EV	A498	TAPE	TAPE(CLOTH-8U)	1	29110082	
EV	A501	F PANEL	809(B)DC	1	27213464A	N <MDC, MDF>
EV	A501	F PANEL	809(B)MP	1	27213465A	N <B MMA, MMB, MMP, MMQ, MMR>
EV	A501	F PANEL	809(S)MP	1	27213466A	N <S MMP>
EV	A505	DECO FRM	(CP)B	1	27215388	N
EV	A505	DECO FRM	(CP)S	1	27215389	N <S>
EV	A507	CLEAR PLT	809_1009	1	28192352	N
EV	A509	HOLDER	(DOOR-L)(B)	1	27191356	N
EV	A509	HOLDER	(DOOR-L)(S)	1	27191358	N <S>
EV	A511	HOLDER	(DOOR-R)(B)	1	27191357	N
EV	A511	HOLDER	(DOOR-R)(S)	1	27191359	N <S>
EV	A512	SPACER	10.5*w13*d5	2	27270514	
EV	A523	DECO FRM	(SEL)809_1009	1	27215386A	
EV	A525	SCREW	3TTB+6B(3BC)	4	838430068GR	
EV	A531	GUIDE	(STBY)	1	27268281	N
EV	A533	KNOB	(STBY)B	1	28326967	N
EV	A533	KNOB	(STBY)S	1	28326968	N <S>
EV	A535	BADGE	---	1	28135317	
EV	A543	RETAINER	(L)AS	1	27142240	N
EV	A544	CUSHION	(BUTYL)	1	28141748	
EV	A545	RETAINER	(R)AS	1	27142233	N
EV	A547	RETAINER	(HD-L)	1	27142234	N
EV	A549	E-WASHER	ES-3S	1	8930301S	
EV	A551	RETAINER	(GEAR)	1	27142231	N
EV	A553	HOLDER	(LOCK)	1	27191355	N
EV	A555	RETAINER	(LOCK)	1	27142237	N
EV	A556	SCREW	3TTB+8B(3BC)	2	838430088GR	

EV	A557	HOLDER	(DAMPER)	1	27191354	N
EV	A558	SCREW	3TTB+8B(3BC)	2	838430088GR	
EV	A567	DAMPER	002P Type-L	1	27301965	
EV	A569	SCREW	3P+6FN(3BC)	6	82143006GR	
EV	A591	DOOR	809(B)DC_MP	1	28148795	N <B MDC, MDF, MMA, MMB, MMP, MMQ, MMR>
EV	A591	DOOR	809(S)MP	1	28148797	N <S MMP>
EV	A594	CUSHION	(DR-S)	1	28141894	<S>
EV	A596	CUSHION	(DR-B)	1	28141893	
EV	A601	SCREW	3TTB+10B(3BC)	2	838430108GR	
EV	A603	SCREW	3TTB+8B(3BC)	2	838430088GR	
EV	A605	SCREW	3TTB+8B(3BC)	3	838430088GR	
EV	A607	SCREW	3TTB+8B(3BC)	3	838430088GR	
EV	A609	SCREW	3TTB+8B(3BC)	3	838430088GR	
EV	A611	SCREW	3TTB+8B(3BC)	1	838430088GR	
EV	A621	COVER	(B)808 (Bent)	1	28210071	
EV	A621	COVER	(S)808 (Bent)	1	28210072	<S>
EV	A621	COVER	(B)808 (Not Bent)	1	28210071Z	
EV	A621	COVER	(S)808 (Not Bent)	1	28210072Z	<S>
EV	A625	SCREW	3TTB+8B(3CM)SR	3	801637	<S>
EV	A625	SCREW	3TTB+8B(3BC)	3	838430088GR	
EV	A627	ST SCREW	4TTB+8C(NI)	6	838240089	<S>
EV	A627	SCREW	4TTB+8C(3BC)	6	838440089GR	
EV	A651	KNOB	(VOL)AS(B)	1	28326981B	N
EV	A651	KNOB	(VOL)AS(S)	1	28326982B	N <S>
EV	A701	LABEL	(CAUTION)	1	29363797	<S>
EV	A701	LABEL	(COVER)	1	29364123	
EV	A755	LABEL	HOOKUP-ONKYO	1	29363194	<MDC>
EV	[TRANS COIL]					
EV	T901	P TRANS	NPT-1593D	1	2301987A	! <MDC, MDF>
EV	T901	P TRANS	NPT-1593M	1	2301988A	! <MMA, MMB, MMP, MMQ, MMR>
EV	[SW TRM]					
EV	F2000	FUSE	4A-UL/T-233	1	252325GR	!
EV	F2000 or	FUSE	4A-T/UL-ST2	(1)	252257GR	!
EV	F2001	FUSE	3.15A-UL/T-233	1	252323GR	!
EV	F2001 or	FUSE	3.15A-T/UL-ST2	(1)	252256GR	!
EV	F6901	FUSE	15A-TUL-250V	1	252303GR	!
EV	F6901 or	FUSE	15A-UL/T-314	(1)	252197GR	!
EV	F6902	FUSE	15A-TUL-250V	1	252303GR	!
EV	F6902 or	FUSE	15A-UL/T-314	(1)	252197GR	!

EV	F901	FUSE	12A-TUL-250V	1	252301GR	!	<MDC, MDF>
EV	F901 or	FUSE	12A-UL/T-314	(1)	252196GR	!	<MDC, MDF>
EV	F901	FUSE	6.3A-SE-EAK FUSE	1	252079GR	!	<MMA, MMB, MMP, MMQ, MMR>
EV	F901 or	FUSE	6.3A-SE-TL250V	(1)	252279GR	!	<MMA, MMB, MMP, MMQ, MMR>
EV	F901E	FUSE LABEL	12A/250V	1	29362325		<MDC, MDF>
EV	F901E	LABEL	T6.3AL/250V	1	29361681		<MMA, MMB, MMP, MMQ, MMR>
EV	JL4103	JUMPER LEAD	JL5 500 H	1	NSP		
EV	P061	FAN	D09A-12PG13	1	24502328		
EV	P062	FAN	D09A-12PG13	1	24502328		
EV	P103	FFC	NCFC7-111012	1	2047111012		
EV	P2101	FFC	NCFC7-191012	1	2047191012		
EV	P3101	SOCKET AS	NSAS-10P1932	1	2009991227UL		
EV	P6600A	P RIVET	JB-407A-C	22	880052		<MDF, MMA, MMB, MMP, MMQ, MMR>
EV	P7501	SOCKET AS	NSAS-80P1871	1	2009991203UL		
EV	P8002	FFC	NCFC5-110512	1	2045110512		
EV	P8641	FFC	NCFC7-31008	1	204D31008		
EV	P900	AC INLET	R301X2PSn	1	25053358	!	
EV	P9008	SOCKET AS	NSAS-3P1760	1	2009991127UL	!	<MDC, MDF>
EV	P9008	SOCKET AS	NSAS-4P1797	1	2009991163UL	!	<MMA, MMB, MMP, MMQ, MMR>
EV	P906	FASTON AS	FASTON SOCKET	1	1F999026A	!	
EV	[TUNER UNIT]						
EV	U001	U0010 + U0011 + U0012 + U0013	BAAMP-0474-1A *	1	1B248574-1A		
EV	U0010	Power amp.(Final stage) board ass'y	BAAMP-0474-1A	1	1B2485474-1A		
EV	U0011	Power amp.(Power supply) board ass'y	BAAF-0475-1A	1	1B2485475-1A	N	
EV	U0012	Thermal sensor board ass'y	BAETC-0476-1A	1	1B2485476-1A	N	
EV	U0013	Spacer board	BAETC-0477-1A	1	1B2485477-1A	N	
EV	U002	U0020 + U0021 + U0022 + U0023 + U0024 + U0025 + U0026 + U0027	BACLA-0480-1A *	1	1B248580-1A		
EV	U0020	Driver amp. (L/SL/SBL/LH) board ass'y	BACLA-0480-1A	1	1B2485480-1A		
EV	U0021	Driver amp. (L/SL/SBL/LH) board ass'y	BACLA-0481-1A	1	1B2485481-1A	N	
EV	U0022	Driver amp. (L/SL/SBL/LH) board ass'y	BACLA-0482-1A	1	1B2485482-1A	N	
EV	U0023	Driver amp. (R/SR/SBR/RH/C) board ass'y	BACLA-0484-1A	1	1B2485484-1A	N	
EV	U0024	Driver amp. (R/SR/SBR/RH/C) board ass'y	BACLA-0485-1A	1	1B2485485-1A	N	
EV	U0025	Driver amp. (R/SR/SBR/RH/C) board ass'y	BACLA-0486-1A	1	1B2485486-1A	N	
EV	U0026	Driver amp. (R/SR/SBR/RH/C) board ass'y	BACLA-0487-1A	1	1B2485487-1A	N	
EV	U0027	Power supply (SEC1) board ass'y	BAPS-0489-1A	1	1B2485489-1A	N	
EV	U003	U0030 + U0031 + U0032 + U0033	BATRM-0450-1A *	1	1B248550-1A		<MDC, MDF>

EV	U003		BATRM-0450-1B *	1	1B248550-1B	<MMP, MMA, MMB, MMQ, MMR>
EV	U0030	Speaker terminal board ass'y	BATRM-0450-1A	1	1B2485450-1A	<MDC, MDF>
EV	U0030		BATRM-0450-1B	1	1B2485450-1B	<MMP, MMA, MMB, MMQ, MMR>
EV	U0031	Zone2/3 Speaker terminal board ass'y	BATRM-0451-1A	1	1B2485451-1A	N <MDC, MDF>
EV	U0031		BATRM-0451-1B	1	1B2485451-1B	N <MMP, MMA, MMB, MMQ, MMR>
EV	U0032	Center Speaker terminal board ass'y	BATRM-0452-1A	1	1B2485452-1A	N <MDC, MDF>
EV	U0032		BATRM-0452-1B	1	1B2485452-1B	N <MMP, MMA, MMB, MMQ, MMR>
EV	U0033	Primary power supply board ass'y	BAPS-0454-1A	1	1B2485454-1A	N <MDC, MDF>
EV	U0033		BAPS-0454-1B	1	1B2485454-1B	N <MMP, MMA, MMB, MMQ, MMR>
EV	U004	U0040 + U0041	BAASP-0458-1N *	1	1B248558-1N	N
EV	U0040	ASP/ audio input board ass'y	BAASP-0458-1N	1	1B2485458-1N	N
EV	U0041	PC in terminal board ass'y	BAETC-0459-1N	1	1B2485459-1N	N
EV	U005	U0050 + U0051 + U0052 +U0053	BADG-0462-2J *	1	1B248562-2J	N <MDC, MDF>
EV	U005		BADG-0462-2K *	1	1B248562-2K	N <MMP, MMA, MMB, MMQ, MMR>
EV	U0050	DIR / DAC board ass'y	BADG-0462-2J	1	1B2485462-2J	N <MDC, MDF>
EV	U0050		BADG-0462-2K	1	1B2485462-2K	N <MMP, MMA, MMB, MMQ, MMR>
EV	U0051	Main microprocessor board ass'y	BACPU-0463-2J	1	1B2485463-2J	<MDC, MDF>
EV	U0051		BACPU-0463-2K	1	1B2485463-2K	<MMP, MMA, MMB, MMQ, MMR>
EV	U0052	Video board ass'y	BAVD-0464-2J	1	1B2485464-2J	<MDC, MDF>
EV	U0052		BAVD-0464-2K	1	1B2485464-2K	<MMP, MMA, MMB, MMQ, MMR>
EV	U0053	Universal port board ass'y	BAETC-0466-2J	1	1B2485466-2J	<MDC, MDF>
EV	U0053		BAETC-0466-2K	1	1B2485466-2K	<MMP, MMA, MMB, MMQ, MMR>
EV	U006	U0060 + U0061 + U0062 +U0063 + U0064 + U0065 + U0066 +U0067 + U0068 + U0069 + U00610 +U00611 + U00612	BADIS-0803-1A *	1	1B248503-1A	N <MDC, MDF>
EV	U006		BADIS-0803-1B *	1	1B248503-1B	N <MMP, MMA, MMB, MMQ, MMR>
EV	U0060	Display board ass'y	BADIS-0803-1A	1	1B2485803-1A	N <MDC, MDF>
EV	U0060		BADIS-0803-1B	1	1B2485803-1B	N <MMP, MMA, MMB, MMQ, MMR>
EV	U0061	Switch board ass'y	BASW-0804-1A	1	1B2485804-1A	N <MDC, MDF>
EV	U0061		BASW-0804-1B	1	1B2485804-1B	N <MMP, MMA, MMB, MMQ, MMR>
EV	U0062	Digital power supply board ass'y	BAPS-0805-1A	1	1B2485805-1A	N <MDC, MDF>
EV	U0062		BAPS-0805-1B	1	1B2485805-1B	N <MMP, MMA, MMB, MMQ, MMR>
EV	U0063	Phone jack board ass'y	BAETC-0806-1A	1	1B2485806-1A	N <MDC, MDF>
EV	U0063		BAETC-0806-1B	1	1B2485806-1B	N <MMP, MMA, MMB, MMQ, MMR>
EV	U0064	Front opt terminal board ass'y	BAETC-0807-1A	1	1B2485807-1A	N <MDC, MDF>
EV	U0064		BAETC-0807-1B	1	1B2485807-1B	N <MMP, MMA, MMB, MMQ, MMR>
EV	U0065	Spacer board ass'y	BAETC-0808-1A	1	1B2485808-1A	N <MDC, MDF>

EV	U0065		BAETC-0808-1B	1	1B2485808-1B	N	<MMP, MMA, MMB, MMQ, MMR>
EV	U0066	Volume board ass'y	BAETC-0809-1A	1	1B2485809-1A	N	<MDC, MDF>
EV	U0066		BAETC-0809-1B	1	1B2485809-1B	N	<MMP, MMA, MMB, MMQ, MMR>
EV	U0067	Setup mic jack board ass'y	BAETC-0810-1A	1	1B2485810-1A	N	<MDC, MDF>
EV	U0067		BAETC-0810-1B	1	1B2485810-1B	N	<MMP, MMA, MMB, MMQ, MMR>
EV	U0068	Spacer board	BAETC-0811-1A	1	1B2485811-1A	N	<MDC, MDF>
EV	U0068		BAETC-0811-1B	1	1B2485811-1B	N	<MMP, MMA, MMB, MMQ, MMR>
EV	U0069	Spacer board	BAETC-0812-1A	1	1B2485812-1A	N	<MDC, MDF>
EV	U0069		BAETC-0812-1B	1	1B2485812-1B	N	<MMP, MMA, MMB, MMQ, MMR>
EV	U00610	Spacer board	BAETC-0813-1A	1	1B2485813-1A	N	<MDC, MDF>
EV	U00610		BAETC-0813-1B	1	1B2485813-1B	N	<MMP, MMA, MMB, MMQ, MMR>
EV	U00611	Power switch board ass'y	BAETC-0814-1B	1	1B2485814-1B	N	<MMP, MMA, MMB, MMQ, MMR>
EV	U00612	Spacer board ass'y	BAETC-0815-1B	1	1B2485815-1B	N	<MMP, MMA, MMB, MMQ, MMR>
EV	U007	HDMI board ass'y	BAHDM-0797-1D *	1	1B248597-1D		
EV	U0081	Front HDMI terminal board ass'y	BAHDM-0801-1B	1	1B2485801-1B	N	
EV	U011	TUNER UNIT	FAEH06-E01EX	1	240165		<MMA, MMB, MMP, MMQ, MMR>
EV	U011	TUNER UNIT	FAEH06-A01US	1	240166		<MDC, MDF>

TX-NR809

PV **PACKING PROCEDURES PARTS LIST**

PV	REF. NO.	PART NAME	DESCRIPTION	Q'TY	PART NO. (SN)	REMARKS
PV	[PACKING]					
PV	A767	INST SHEET	(DOOR)TXNR809_5009	1	29355839	
PV	A769	CUSHION	EPE t2.5x40x20	2	28141827	
PV	A771	TAPE	FIXLON #817 W12	1	29110207	
PV	A771 or	TAPE	SLIONTEC 9514	(1)	29110201	
PV	A773	SHEET	(ACC)	1	29096104	
PV	A775	SHEET	T0.515*1300*900	1	29096066	
PV	A777	SHEET	T0.5x600x500	1	29096097	
PV	A779	TAPE	(SEROHAN)NITTO NO.29	1	29110149	
PV	A781	PAD AS	(AS)F&R	1	29092591	
PV	A801	CARTON	TX-NR809MDC	1	29055226A	N <MDC, MDF>
PV	A801	CARTON	TX-NR809	1	29055227A	N <MMA, MMB, MMP, MMQ, MMR>
PV	A803A	UPC LABEL	TX-NR809(B)MDC	1	29391568	N <MDC>
PV	A803A	EAN LABEL	TX-NR809(B)MDF	1	29391569	N <MDF>
PV	A803A	EAN LABEL	TX-NR809(B)MMA	1	29391572	N <MMA>
PV	A803A	EAN LABEL	TX-NR809(B)MMB	1	29391573	N <MMB>
PV	A803A	EAN LABEL	TX-NR809(B)MMQ	1	29391574	N <MMQ>

PV	A803A	EAN LABEL	TX-NR809(B)MMR	1	29391575	N	<MMR>
PV	A803A	EAN LABEL	TX-NR809(B)MMP	1	29391570A	N	<B MMP>
PV	A803A	EAN LABEL	TX-NR809(S)MMP	1	29391571A	N	<S MMP>
PV	A831	LABEL	(CHINA)	1	29390952A		<MMR>
PV	A833	LABEL	(CARTON)	1	29390944		<MMR>
PV	A834	LABEL	(CARTON)(100x14)	2	29391718		<MMR>
PV	A851	PP TAPE	W50 SBT-70	1	29110200		
PV	A853	STAPLE	FUKAN-BARI(1000KO)	4	282321		
PV	[ACCESSORY]						
PV	A1001	INS MANUAL	En(TX-NR809)	1	29400709	N	<MDF, MMA, MMB, MMQ>
PV	A1009	INS MANUAL	Ct(TX-NR809)	1	29400713	N	<MDF, MMQ>
PV	A1011	INS MANUAL	Cs(TX-NR809)	1	29400714	N	<MMR>
PV	A1101	INS MANUAL	U9(2011_Prepro)	1	29400572A		
PV	A1103	INST SHEET	U11(2010_RIHD)	1	29355782A		
PV	A1105	INS MANUAL	JaEn(SW_License_509-5009)	1	29400575		
PV	A1107	INS MANUAL	U3EnFrEs(I-Radio)_ONK_Mid/High	1	29400856		<MDC>
PV	A1109	INS MANUAL	U2EnDe(Last_fm_Nap_Spotify)	1	29400794		<MMB, MMP>
PV	A1111	HANDBILL	(UP-A1)US	1	29380155A		<MDC>
PV	A1113	INS MANUAL	En(Last_fm)_ONK(MMA)	1	29400858		<MMA>
PV	A1113	HANDBILL	(UP-A1)EU	1	29380156A		<MMB, MMP>
PV	A1115	INST SHEET	WEEE	1	29355793A		<MMB, MMP>
PV	A1117	INST SHEET	CHINA ROHS	1	29355616B		<MMR>
PV	A1119	INS MANUAL	Ar(QC ImportantSheet)	1	29344373B		<MMQ>
PV	A1121	INST SHEET	CtMDF(TXSR309)	1	29355814		<MDF>
PV	A1130	INS MANDSK	U7(TX-NR1009)	1	29500001	N	<MDC, MMP>
PV	A1132	INS MANUAL	QSG_En(TX-NR809/1009)	1	29400888	N	<MDC, MDF, MMA, MMB, MMP, MMQ>
PV	A1134	INS MANUAL	QSG_Fr(TX-NR809/1009)	1	29400889	N	<MDC, MMP>
PV	A1136	INS MANUAL	QSG_Es(TX-NR809/1009)	1	29400890	N	<MDC, MMP>
PV	A1138	INS MANUAL	SAFETY_U3	1	29400883	N	<MDC>
PV	A1140	INS MANUAL	QSG_It(TX-NR809/1009)	1	29400891	N	<MMP>
PV	A1142	INS MANUAL	QSG_De(TX-NR809/1009)	1	29400892	N	<MMP>
PV	A1144	INS MANUAL	QSG_Nl(TX-NR809/1009)	1	29400893	N	<MMP>
PV	A1146	INS MANUAL	QSG_Sv(TX-NR809/1009)	1	29400894	N	<MMP>
PV	A1148	INS MANUAL	QSG_Fi(TX-NR809/1009)	1	29400895	N	<MMP>
PV	A1150	INS MANUAL	SAFETY_U10	1	29400884	N	<MMP>
PV	A1152	INS MANUAL	QSG_Ar(TX-NR809/1009)	1	29400896	N	<MMQ>
PV	A1154	INS MANUAL	QSG_Cs(TX-NR809/1009)	1	29400730		<MMR>
PV	A901	POLY BAG	w250xd350	1	29100250A		
PV	A903	POLY BAG	w250xd350	1	29100250A		<MDC, MDF>

PV	A903	POLY BAG	w250xd350	2	29100250A	<MMP>
PV	A903	POLY BAG	w250xd350	1	29100250A	<MMQ, MMR>
PV	A905	TAPE	(SEROHAN)NITTO NO.29	1	29110149	
PV	A907	LABEL	(SPCABLE)2009	1	29390881	
PV	A915	WRNTY CARD	(ONKYO-CH)	1	29365098C	<MMR>
PV	A917	WRNTY CARD	MGQ	1	29365099A	<MMQ>
PV	A919	WRNTY CARD	(ONKYO)	1	29365135	<MDC>
PV	A990	REMO CON	RC-810M	1	24140810	
PV	A991	BATTERY	R6/AA(UM-3)	2	3010194	<MDC, MDF, MMA, MMB, MMP, MMQ>
PV	A991 or	BATTERY	R6/AA(UM-3)	(2)	3010054	<MDC, MDF, MMA, MMB, MMP, MMQ>
PV	A992	MIC	MIC-7000	1	245044	
PV	A993	ANT COIL	NMA-3057	1	232140	
PV	A994	FM ANT AS	Type W	1	292191	
EV	P921	AC CORD	AS-UC-2	1	253352ATES	! <MDC>
EV	P921 or	AC CORD	AS-UC-2	(1)	253297KAW	! <MDC>
EV	P921	AC CORD	AS-CEE-3	1	253298VOL	! <MMP>
EV	P921	AC CORD	AS-CCC	1	253358VOL	! <MMR>
EV	P921	AC CORD	AS-SAA	1	253391VOL	! <MMA>
EV	P921	AC CORD	AS-BS	1	253425YUN	! <MMB, MMQ>
EV	P921 or	AC CORD	AS-BS	(1)	253425KAW	! <MMB>
EV	P921	AC CORD	AS-CNS	1	253432VOL	! <MDF>

TX-NR809

U001 PC BOARD PARTS LIST

U001	U001	U0010 + U0011 + U0012 + U0013				
U001	U0010	Power amp.(Final stage) board ass'y	BAAMP-0474-1A			
U001	U0011	Power amp.(Power supply) board ass'y	BAAF-0475-1A			
U001	U0012	Thermal sensor board ass'y	BAETC-0476-1A			
U001	U0013	Spacer board	BAETC-0477-1A			
U001						
U001	CIRCUIT NO.	PART NAME	DESCRIPTION	Q'TY	PART NO. (SN)	REMARKS
U001		[SEMI CONDUCTOR]				
U001	D6000	DIODE	1SS133	1	223163T	
U001	D6001	DIODE	1SS133	1	223163T	
U001	D6004	DIODE	1SS133	1	223163T	
U001	D6005	DIODE	1SS133	1	223163T	
U001	D6006	DIODE	1SS133	1	223163T	
U001	D6007	DIODE	1SS133	1	223163T	

U001	D6008	DIODE	1SS133	1	223163T	
U001	D6221	DIODE	1SS133	1	223163T	
U001	D6222	DIODE	1SS133	1	223163T	
U001	D6701	DIODE	1SS133	1	223163T	
U001	D6702	DIODE	1SS133	1	223163T	
U001	D6703	ZENER D	MTZJ3.6B	1	224470362T	
U001	D6704	ZENER D	MTZJ3.6B	1	224470362T	
U001	D6713	ZENER D	MTZJ3.6B	1	224470362T	
U001	Q6000	TR	2SC1740S-S	1	2213285T	
U001	Q6001	TR	2SC1740S-S	1	2213285T	
U001	Q6004	TR	2SC1740S-S	1	2213285T	
U001	Q6005	TR	2SC1740S-S	1	2213285T	
U001	Q6006	TR	2SC1740S-S	1	2213285T	
U001	Q6007	TR	2SC1740S-S	1	2213285T	
U001	Q6008	TR	2SC1740S-S	1	2213285T	
U001	Q6070	TR	2SC2229-Y(TPE6_F)	1	2211634T	
U001	Q6071	TR	2SC2229-Y(TPE6_F)	1	2211634T	
U001	Q6074	TR	2SC2229-Y(TPE6_F)	1	2211634T	
U001	Q6075	TR	2SC2229-Y(TPE6_F)	1	2211634T	
U001	Q6076	TR	2SC2229-Y(TPE6_F)	1	2211634T	
U001	Q6077	TR	2SC2229-Y(TPE6_F)	1	2211634T	
U001	Q6078	TR	2SC2229-Y(TPE6_F)	1	2211634T	
U001	Q6226	TR	2SB1240-R	1	2213794T	
U001	Q6380	IC	LM61CIZ	1	22242212	
U001	Q6380A	RETAINER	(PTH)	1	27141884-1	
U001	Q6550	TR	2SC1815-GR	1	2211255T	
U001	Q6551	TR	2SA1358-Y(Q)	1	2212644	
U001	Q6701	TR	2SC2240-BL(TPE2_F)	1	2211406T	
U001	Q6702	TR	2SC2240-BL(TPE2_F)	1	2211406T	
U001	Q6703	TR	2SA970-BL(TPE2_F)	1	2211396T	
U001	Q6713	TR	2SA970-BL(TPE2_F)	1	2211396T	
U001	[TRANS COIL]					
U001	L6800	S-COIL	SC-0.8X5.5X18.5T	1	231431S	N
U001	L6801	S-COIL	SC-0.8X5.5X18.5T	1	231431S	N
U001	L6804	S-COIL	SC-0.8X5.5X18.5T	1	231431S	N
U001	L6805	S-COIL	SC-0.8X5.5X18.5T	1	231431S	N
U001	L6806	S-COIL	SC-0.8X5.5X18.5T	1	231431S	N
U001	L6807	S-COIL	SC-0.8X5.5X18.5T	1	231431S	N
U001	L6808	S-COIL	SC-0.8X5.5X18.5T	1	231431S	N

[CAPACITOR]						
U001	C6040	TF C	ECQ-V50V-104J	1	374721044T	
U001	C6041	TF C	ECQ-V50V-104J	1	374721044T	
U001	C6044	TF C	ECQ-V50V-104J	1	374721044T	
U001	C6045	TF C	ECQ-V50V-104J	1	374721044T	
U001	C6046	TF C	ECQ-V50V-104J	1	374721044T	
U001	C6047	TF C	ECQ-V50V-104J	1	374721044T	
U001	C6048	TF C	ECQ-V50V-104J	1	374721044T	
U001	C6222	UTSP C	CE04W25V-220M(UTSP)	1	397552217T	
U001	C6701	UTSP C	CE04W16V-330M(UTSP)	1	397543317T	
U001	C6703	TF C	ECQ-V50V-223J	1	374722234T	
U001	C6704	UTSP C	CE04W50V-1M(UTSP)	1	397580107T	
U001	C6706	UTSP C	CE04W25V-47M(UTSP)	1	397554707T	
U001	C6713	TF C	ECQ-V50V-223J	1	374722234T	
U001	C6714	UTSP C	CE04W50V-1M(UTSP)	1	397580107T	
U001	C6870	TF C	ECQ-V50V-473J	1	374724734T	
U001	C6871	TF C	ECQ-V50V-473J	1	374724734T	
U001	C6874	TF C	ECQ-V50V-473J	1	374724734T	
U001	C6875	TF C	ECQ-V50V-473J	1	374724734T	
U001	C6876	TF C	ECQ-V50V-473J	1	374724734T	
U001	C6877	TF C	ECQ-V50V-473J	1	374724734T	
U001	C6878	TF C	ECQ-V50V-473J	1	374724734T	
U001	C6901	ELECT C	CE69W71V-15000M	1	3504473	N
U001	C6902	ELECT C	CE69W71V-15000M	1	3504473	N
U001	C6912	TF C	ECQ-V50V-334J	1	374723344T	
U001	C6913	TF C	ECQ-V50V-334J	1	374723344T	
[RESISTOR]						
U001	R6170	CARBON R	R16J-33K	1	417343334T	
U001	R6171	CARBON R	R16J-33K	1	417343334T	
U001	R6174	CARBON R	R16J-33K	1	417343334T	
U001	R6175	CARBON R	R16J-33K	1	417343334T	
U001	R6176	CARBON R	R16J-33K	1	417343334T	
U001	R6177	CARBON R	R16J-33K	1	417343334T	
U001	R6178	CARBON R	R16J-33K	1	417343334T	
U001	R6180	CARBON R	R16J-56K	1	417345634T	
U001	R6181	CARBON R	R16J-56K	1	417345634T	
U001	R6184	CARBON R	R16J-56K	1	417345634T	
U001	R6185	CARBON R	R16J-56K	1	417345634T	
U001	R6186	CARBON R	R16J-56K	1	417345634T	

U001	R6187	CARBON R	R16J-56K	1	417345634T
U001	R6188	CARBON R	R16J-56K	1	417345634T
U001	R6190	CARBON R	R16J-10K	1	417341034T
U001	R6191	CARBON R	R16J-10K	1	417341034T
U001	R6194	CARBON R	R16J-10K	1	417341034T
U001	R6195	CARBON R	R16J-10K	1	417341034T
U001	R6196	CARBON R	R16J-10K	1	417341034T
U001	R6197	CARBON R	R16J-10K	1	417341034T
U001	R6198	CARBON R	R16J-10K	1	417341034T
U001	R6210	CARBON R	R16J-47K	1	417344734T
U001	R6211	CARBON R	R16J-47K	1	417344734T
U001	R6214	CARBON R	R16J-47K	1	417344734T
U001	R6215	CARBON R	R16J-47K	1	417344734T
U001	R6216	CARBON R	R16J-47K	1	417344734T
U001	R6217	CARBON R	R16J-47K	1	417344734T
U001	R6218	CARBON R	R16J-47K	1	417344734T
U001	R6222	METAL R	RNU1/2WCJ-1	1	453530104T
U001	R6223	CARBON R	R16J-5.6K	1	417345624T
U001	R6230	CARBON R	R16J-47K	1	417344734T
U001	R6231	CARBON R	R16J-47K	1	417344734T
U001	R6234	CARBON R	R16J-47K	1	417344734T
U001	R6235	CARBON R	R16J-47K	1	417344734T
U001	R6236	CARBON R	R16J-47K	1	417344734T
U001	R6237	CARBON R	R16J-47K	1	417344734T
U001	R6238	CARBON R	R16J-47K	1	417344734T
U001	R6400	METAL PR	MPR5W+5W 0R22	1	4000233S
U001	R6400 or	METAL P R	RF5EGPKR22S	(1)	4000244S
U001	R6401	METAL PR	MPR5W+5W 0R22	1	4000233S
U001	R6401 or	METAL P R	RF5EGPKR22S	(1)	4000244S
U001	R6404	METAL PR	MPR5W+5W 0R22	1	4000233S
U001	R6404 or	METAL P R	RF5EGPKR22S	(1)	4000244S
U001	R6405	METAL PR	MPR5W+5W 0R22	1	4000233S
U001	R6405 or	METAL P R	RF5EGPKR22S	(1)	4000244S
U001	R6406	METAL PR	MPR5W+5W 0R22	1	4000233S
U001	R6406 or	METAL P R	RF5EGPKR22S	(1)	4000244S
U001	R6407	METAL PR	MPR5W+5W 0R22	1	4000233S
U001	R6407 or	METAL P R	RF5EGPKR22S	(1)	4000244S
U001	R6408	METAL PR	MPR5W+5W 0R22	1	4000233S
U001	R6408 or	METAL P R	RF5EGPKR22S	(1)	4000244S

U001	R6550	CARBON R	R16J-4.7K	1	417344724T
U001	R6551	CARBON R	R16J-330	1	417343314T
U001	R6552	CARBON R	R16J-1.8K	1	417341824T
U001	R6553	CARBON R	R16J-1.2K	1	417341224T
U001	R6554	CARBON R	R16J-22K	1	417342234T
U001	R6701	CARBON R	R16J-22K	1	417342234T
U001	R6702	CARBON R	R16J-10K	1	417341034T
U001	R6704	CARBON R	R16J-33K	1	417343334T
U001	R6706	CARBON R	R16J-22K	1	417342234T
U001	R6708	CARBON R	R16J-33K	1	417343334T
U001	R6709	CARBON R	R16J-3.9K	1	417343924T
U001	R6710	CARBON R	R16J-15K	1	417341534T
U001	R6712	CARBON R	R16J-10K	1	417341034T
U001	R6714	CARBON R	R16J-33K	1	417343334T
U001	R6716	CARBON R	R16J-22K	1	417342234T
U001	R6800	METAL O R	RS1/2WBJ-10	1	443521004T
U001	R6801	METAL O R	RS1/2WBJ-10	1	443521004T
U001	R6804	METAL O R	RS1/2WBJ-10	1	443521004T
U001	R6805	METAL O R	RS1/2WBJ-10	1	443521004T
U001	R6806	METAL O R	RS1/2WBJ-10	1	443521004T
U001	R6807	METAL O R	RS1/2WBJ-10	1	443521004T
U001	R6808	METAL O R	RS1/2WBJ-10	1	443521004T
U001	R6820	METAL R	RNU1WCJ-8.2	1	453630824T
U001	R6821	METAL R	RNU1WCJ-8.2	1	453630824T
U001	R6824	METAL R	RNU1WCJ-8.2	1	453630824T
U001	R6825	METAL R	RNU1WCJ-8.2	1	453630824T
U001	R6826	METAL R	RNU1WCJ-8.2	1	453630824T
U001	R6827	METAL R	RNU1WCJ-8.2	1	453630824T
U001	R6828	METAL R	RNU1WCJ-8.2	1	453630824T
U001	[SW TRM]				
U001	JL6041A	WIRE HOL	NSCT-3P874	1	25051087
U001	JL6041B	WIRE TRAP	NPLG-3P586	1	25055624
U001	JL6402A	WIRE TRAP	NPLG-3P586	1	25055624
U001	JL6402B	WIRE HOL	NSCT-3P874	1	25051087
U001	JL6602A	WIRE HOL	NSCT-3P874	1	25051087
U001	P4512A	CRIMP AS	CRIMP SR805_1	1	20799169UL
U001	P5010B	PLUG	NPLG-3P0958	1	25056008
U001	P5011B	PLUG	NPLG-3P0958	1	25056008
U001	P5014B	PLUG	NPLG-3P0958	1	25056008

U001	P5015B	PLUG	NPLG-3P0958	1	25056008	
U001	P5016B	PLUG	NPLG-3P0958	1	25056008	
U001	P5017B	PLUG	NPLG-3P0958	1	25056008	
U001	P5018B	PLUG	NPLG-3P0958	1	25056008	
U001	P5020B	TRM	NTM-1P232(M1700)	1	25060301	
U001	P5021B	TRM	NTM-1P232(M1700)	1	25060301	
U001	P5024B	TRM	NTM-1P232(M1700)	1	25060301	
U001	P5025B	TRM	NTM-1P232(M1700)	1	25060301	
U001	P5026B	TRM	NTM-1P232(M1700)	1	25060301	
U001	P5027B	TRM	NTM-1P232(M1700)	1	25060301	
U001	P5028B	TRM	NTM-1P232(M1700)	1	25060301	
U001	P6030A	PLUG	IMSA-9115B-09	1	25056339	N
U001	P6031A	PLUG	IMSA-9115B-09	1	25056339	N
U001	P6034A	PLUG	IMSA-9115B-09	1	25056339	N
U001	P6035A	PLUG	IMSA-9115B-09	1	25056339	N
U001	P6036A	PLUG	IMSA-9115B-09	1	25056339	N
U001	P6037A	PLUG	IMSA-9115B-09	1	25056339	N
U001	P6038A	PLUG	IMSA-9115B-09	1	25056339	N
U001	P6050	PLUG	IMSA-9201B-1-06Z388-PT1	1	25056614	
U001	P6051	PLUG	IMSA-9201B-1-06Z388-PT1	1	25056614	
U001	P6054	PLUG	IMSA-9201B-1-06Z388-PT1	1	25056614	
U001	P6055	PLUG	IMSA-9201B-1-06Z388-PT1	1	25056614	
U001	P6056	PLUG	IMSA-9201B-1-06Z388-PT1	1	25056614	
U001	P6057	PLUG	IMSA-9201B-1-06Z388-PT1	1	25056614	
U001	P6058	PLUG	IMSA-9201B-1-06Z388-PT1	1	25056614	
U001	P6060	PLUG	IMSA-9201B-1-06Z388-PT1	1	25056614	
U001	P6061	PLUG	IMSA-9201B-1-06Z388-PT1	1	25056614	
U001	P6064	PLUG	IMSA-9201B-1-06Z388-PT1	1	25056614	
U001	P6065	PLUG	IMSA-9201B-1-06Z388-PT1	1	25056614	
U001	P6066	PLUG	IMSA-9201B-1-06Z388-PT1	1	25056614	
U001	P6067	PLUG	IMSA-9201B-1-06Z388-PT1	1	25056614	
U001	P6068	PLUG	IMSA-9201B-1-06Z388-PT1	1	25056614	
U001	P6070	PLUG	NPLG-2P645	1	25055689	
U001	P6071	PLUG	NPLG-2P645	1	25055689	
U001	P6074	PLUG	NPLG-2P645	1	25055689	
U001	P6075	PLUG	NPLG-2P645	1	25055689	
U001	P6076	PLUG	NPLG-2P645	1	25055689	
U001	P6077	PLUG	NPLG-2P645	1	25055689	
U001	P6078	PLUG	NPLG-2P645	1	25055689	

U001	P6340A	SOCKET AS	NSAS-4P1836	1	2009991182UL	N
U001	P6340B	PLUG	NPLG-2P631	1	25055675	
U001	P6350	RETAINER	(BUS-P)	1	27142160	
U001	P6360	RETAINER	(BUS-P)	1	27142160	
U001	P6400	RETAINER	(BUS-D)	1	27142184	N
U001	P6550	PLUG	NPLG-2P83	1	25055099	
U001	P6560	PLUG	NPLG-2P83	1	25055099	
U001	P6600	SOCKET AS	NSAS-14P1849	1	2009991185UL	N
U001	P6601	SOCKET AS	NSAS-6P1826	1	2009991178UL	N
U001	P6606A	SOCKET AS	NSAS-18P1857	1	20099911815UL	N
U001	P4517A	SOCKET AS	NSAS-30P1851	1	2009991187UL	N
U001	P6603A	SOCKET AS	NSAS-22P1850	1	2009991186UL	N

U002	U002	U0020 + U0021 + U0022 + U0023 + U0024 + U0025 + U0026 + U0027				
U002	U0020	Driver amp. (L/SL/SBL/LH) board ass'y	BACLA-0480-1A			
U002	U0021	Driver amp. (L/SL/SBL/LH) board ass'y	BACLA-0481-1A			
U002	U0022	Driver amp. (L/SL/SBL/LH) board ass'y	BACLA-0482-1A			
U002	U0023	Driver amp. (R/SR/SBR/RH/C) board ass'y	BACLA-0484-1A			
U002	U0024	Driver amp. (R/SR/SBR/RH/C) board ass'y	BACLA-0485-1A			
U002	U0025	Driver amp. (R/SR/SBR/RH/C) board ass'y	BACLA-0486-1A			
U002	U0026	Driver amp. (R/SR/SBR/RH/C) board ass'y	BACLA-0487-1A			
U002	U0027	Power supply (SEC1) board ass'y	BAPS-0489-1A			

CIRCUIT NO.	PART NAME	DESCRIPTION	Q'TY	PART NO. (SN)	REMARKS
[SEMI CONDUCTOR]					
U002	D5000	ZENER D	1	224470562T	
U002	D5001	ZENER D	1	224470562T	
U002	D5002	ZENER D	1	224470562T	
U002	D5003	ZENER D	1	224470562T	
U002	D5004	ZENER D	1	224470562T	
U002	D5005	ZENER D	1	224470562T	
U002	D5006	ZENER D	1	224470562T	
U002	D6902	DIODE	1	223163T	
U002	D6904	DIODE	1	22380260T	
U002	D6905	DIODE	1	22380260T	
U002	Q5000	TR	1	2211406T	
U002	Q5001	TR	1	2211406T	
U002	Q5002	TR	1	2211406T	

U002	Q5003	TR	2SC2240-BL(TPE2_F)	1	2211406T
U002	Q5004	TR	2SC2240-BL(TPE2_F)	1	2211406T
U002	Q5005	TR	2SC2240-BL(TPE2_F)	1	2211406T
U002	Q5006	TR	2SC2240-BL(TPE2_F)	1	2211406T
U002	Q5010	TR	2SC2240-BL(TPE2_F)	1	2211406T
U002	Q5011	TR	2SC2240-BL(TPE2_F)	1	2211406T
U002	Q5012	TR	2SC2240-BL(TPE2_F)	1	2211406T
U002	Q5013	TR	2SC2240-BL(TPE2_F)	1	2211406T
U002	Q5014	TR	2SC2240-BL(TPE2_F)	1	2211406T
U002	Q5015	TR	2SC2240-BL(TPE2_F)	1	2211406T
U002	Q5016	TR	2SC2240-BL(TPE2_F)	1	2211406T
U002	Q5020	TR	2SC2240-BL(TPE2_F)	1	2211406T
U002	Q5021	TR	2SC2240-BL(TPE2_F)	1	2211406T
U002	Q5022	TR	2SC2240-BL(TPE2_F)	1	2211406T
U002	Q5023	TR	2SC2240-BL(TPE2_F)	1	2211406T
U002	Q5024	TR	2SC2240-BL(TPE2_F)	1	2211406T
U002	Q5025	TR	2SC2240-BL(TPE2_F)	1	2211406T
U002	Q5026	TR	2SC2240-BL(TPE2_F)	1	2211406T
U002	Q5030	TR	2SA949-O(TPE6_F)	1	2211353T
U002	Q5030 or	TR	2SA949-Y(TPE6_F)	(1)	2211354T
U002	Q5031	TR	2SA949-O(TPE6_F)	1	2211353T
U002	Q5031 or	TR	2SA949-Y(TPE6_F)	(1)	2211354T
U002	Q5032	TR	2SA949-O(TPE6_F)	1	2211353T
U002	Q5032 or	TR	2SA949-Y(TPE6_F)	(1)	2211354T
U002	Q5033	TR	2SA949-O(TPE6_F)	1	2211353T
U002	Q5033 or	TR	2SA949-Y(TPE6_F)	(1)	2211354T
U002	Q5034	TR	2SA949-O(TPE6_F)	1	2211353T
U002	Q5034 or	TR	2SA949-Y(TPE6_F)	(1)	2211354T
U002	Q5035	TR	2SA949-O(TPE6_F)	1	2211353T
U002	Q5035 or	TR	2SA949-Y(TPE6_F)	(1)	2211354T
U002	Q5036	TR	2SA949-O(TPE6_F)	1	2211353T
U002	Q5036 or	TR	2SA949-Y(TPE6_F)	(1)	2211354T
U002	Q5040	TR	2SA949-O(TPE6_F)	1	2211353T
U002	Q5040 or	TR	2SA949-Y(TPE6_F)	(1)	2211354T
U002	Q5041	TR	2SA949-O(TPE6_F)	1	2211353T
U002	Q5041 or	TR	2SA949-Y(TPE6_F)	(1)	2211354T
U002	Q5042	TR	2SA949-O(TPE6_F)	1	2211353T
U002	Q5042 or	TR	2SA949-Y(TPE6_F)	(1)	2211354T
U002	Q5043	TR	2SA949-O(TPE6_F)	1	2211353T

U002	Q5043 or	TR	2SA949-Y(TPE6_F)	(1)	2211354T
U002	Q5044	TR	2SA949-O(TPE6_F)	1	2211353T
U002	Q5044 or	TR	2SA949-Y(TPE6_F)	(1)	2211354T
U002	Q5045	TR	2SA949-O(TPE6_F)	1	2211353T
U002	Q5045 or	TR	2SA949-Y(TPE6_F)	(1)	2211354T
U002	Q5046	TR	2SA949-O(TPE6_F)	1	2211353T
U002	Q5046 or	TR	2SA949-Y(TPE6_F)	(1)	2211354T
U002	Q5050	TR	2SA1360-Y	1	2202094
U002	Q5050 or	TR	2SA1360-O	(1)	2202093
U002	Q5051	TR	2SA1360-Y	1	2202094
U002	Q5051 or	TR	2SA1360-O	(1)	2202093
U002	Q5052	TR	2SA1360-Y	1	2202094
U002	Q5052 or	TR	2SA1360-O	(1)	2202093
U002	Q5053	TR	2SA1360-Y	1	2202094
U002	Q5053 or	TR	2SA1360-O	(1)	2202093
U002	Q5054	TR	2SA1360-Y	1	2202094
U002	Q5054 or	TR	2SA1360-O	(1)	2202093
U002	Q5055	TR	2SA1360-Y	1	2202094
U002	Q5055 or	TR	2SA1360-O	(1)	2202093
U002	Q5056	TR	2SA1360-Y	1	2202094
U002	Q5056 or	TR	2SA1360-O	(1)	2202093
U002	Q5080	TR	2SC3423-Y	1	2202104
U002	Q5080 or	TR	2SC3423-O	(1)	2202103
U002	Q5081	TR	2SC3423-Y	1	2202104
U002	Q5081 or	TR	2SC3423-O	(1)	2202103
U002	Q5082	TR	2SC3423-Y	1	2202104
U002	Q5082 or	TR	2SC3423-O	(1)	2202103
U002	Q5083	TR	2SC3423-Y	1	2202104
U002	Q5083 or	TR	2SC3423-O	(1)	2202103
U002	Q5084	TR	2SC3423-Y	1	2202104
U002	Q5084 or	TR	2SC3423-O	(1)	2202103
U002	Q5085	TR	2SC3423-Y	1	2202104
U002	Q5085 or	TR	2SC3423-O	(1)	2202103
U002	Q5086	TR	2SC3423-Y	1	2202104
U002	Q5086 or	TR	2SC3423-O	(1)	2202103
U002	Q6010	TR	2SC1740S-S	1	2213285T
U002	Q6011	TR	2SC1740S-S	1	2213285T
U002	Q6012	TR	2SC1740S-S	1	2213285T
U002	Q6013	TR	2SC1740S-S	1	2213285T

U002	Q6014	TR	2SC1740S-S	1	2213285T
U002	Q6015	TR	2SC1740S-S	1	2213285T
U002	Q6016	TR	2SC1740S-S	1	2213285T
U002	Q6030	TR	2SC2229-O(TPE6_F)	1	2211633T
U002	Q6030 or	TR	2SC2229-Y(TPE6_F)	(1)	2211634T
U002	Q6031	TR	2SC2229-O(TPE6_F)	1	2211633T
U002	Q6031 or	TR	2SC2229-Y(TPE6_F)	(1)	2211634T
U002	Q6032	TR	2SC2229-O(TPE6_F)	1	2211633T
U002	Q6032 or	TR	2SC2229-Y(TPE6_F)	(1)	2211634T
U002	Q6033	TR	2SC2229-O(TPE6_F)	1	2211633T
U002	Q6033 or	TR	2SC2229-Y(TPE6_F)	(1)	2211634T
U002	Q6034	TR	2SC2229-O(TPE6_F)	1	2211633T
U002	Q6034 or	TR	2SC2229-Y(TPE6_F)	(1)	2211634T
U002	Q6035	TR	2SC2229-O(TPE6_F)	1	2211633T
U002	Q6035 or	TR	2SC2229-Y(TPE6_F)	(1)	2211634T
U002	Q6036	TR	2SC2229-O(TPE6_F)	1	2211633T
U002	Q6036 or	TR	2SC2229-Y(TPE6_F)	(1)	2211634T
U002	Q6040	TR	2SA949-O(TPE6_F)	1	2211353T
U002	Q6040 or	TR	2SA949-Y(TPE6_F)	(1)	2211354T
U002	Q6041	TR	2SA949-O(TPE6_F)	1	2211353T
U002	Q6041 or	TR	2SA949-Y(TPE6_F)	(1)	2211354T
U002	Q6042	TR	2SA949-O(TPE6_F)	1	2211353T
U002	Q6042 or	TR	2SA949-Y(TPE6_F)	(1)	2211354T
U002	Q6043	TR	2SA949-O(TPE6_F)	1	2211353T
U002	Q6043 or	TR	2SA949-Y(TPE6_F)	(1)	2211354T
U002	Q6044	TR	2SA949-O(TPE6_F)	1	2211353T
U002	Q6044 or	TR	2SA949-Y(TPE6_F)	(1)	2211354T
U002	Q6045	TR	2SA949-O(TPE6_F)	1	2211353T
U002	Q6045 or	TR	2SA949-Y(TPE6_F)	(1)	2211354T
U002	Q6046	TR	2SA949-O(TPE6_F)	1	2211353T
U002	Q6046 or	TR	2SA949-Y(TPE6_F)	(1)	2211354T
U002	Q6100	TR	TTA-004(Q)TO126	1	2217442
U002	Q6101	TR	TTA-004(Q)TO126	1	2217442
U002	Q6102	TR	TTA-004(Q)TO126	1	2217442
U002	Q6103	TR	TTA-004(Q)TO126	1	2217442
U002	Q6104	TR	TTA-004(Q)TO126	1	2217442
U002	Q6105	TR	TTA-004(Q)TO126	1	2217442
U002	Q6106	TR	TTA-004(Q)TO126	1	2217442
U002	Q6110	TR	TTC-004(Q)TO126	1	2217452

U002	Q6111	TR	TTC-004(Q)TO126	1	2217452
U002	Q6112	TR	TTC-004(Q)TO126	1	2217452
U002	Q6113	TR	TTC-004(Q)TO126	1	2217452
U002	Q6114	TR	TTC-004(Q)TO126	1	2217452
U002	Q6115	TR	TTC-004(Q)TO126	1	2217452
U002	Q6116	TR	TTC-004(Q)TO126	1	2217452
U002	Q6707	TR	2SC1815-GR	1	2211255T
U002	[CHASSIS SCREW]				
U002	Q5080A	HEAT SINK	(CLA)B	1	27160642A
U002	Q5080B	SCREW	3TTB+8B(3BC)	4	838430088GR
U002	Q5081A	HEAT SINK	(CLA)B	1	27160642A
U002	Q5081B	SCREW	3TTB+8B(3BC)	4	838430088GR
U002	Q5082A	HEAT SINK	(CLA)B	1	27160642A
U002	Q5082B	SCREW	3TTB+8B(3BC)	4	838430088GR
U002	Q5083A	HEAT SINK	(CLA)B	1	27160642A
U002	Q5083B	SCREW	3TTB+8B(3BC)	4	838430088GR
U002	Q5084A	HEAT SINK	(CLA)B	1	27160642A
U002	Q5084B	SCREW	3TTB+8B(3BC)	4	838430088GR
U002	Q5085A	HEAT SINK	(CLA)B	1	27160642A
U002	Q5085B	SCREW	3TTB+8B(3BC)	4	838430088GR
U002	Q5086A	HEAT SINK	(CLA)B	1	27160642A
U002	Q5086B	SCREW	3TTB+8B(3BC)	4	838430088GR
U002	[TRANS COIL]				
U002	L6000	FR CORE	---	1	5597-45502
U002	L6001	FR CORE	---	1	5597-45502
U002	L6002	FR CORE	---	1	5597-45502
U002	L6003	FR CORE	---	1	5597-45502
U002	L6004	FR CORE	---	1	5597-45502
U002	L6005	FR CORE	---	1	5597-45502
U002	L6006	FR CORE	---	1	5597-45502
U002	L6010	FR CORE	---	1	5597-45502
U002	L6011	FR CORE	---	1	5597-45502
U002	L6012	FR CORE	---	1	5597-45502
U002	L6013	FR CORE	---	1	5597-45502
U002	L6014	FR CORE	---	1	5597-45502
U002	L6015	FR CORE	---	1	5597-45502
U002	L6016	FR CORE	---	1	5597-45502
U002	[CAPACITOR]				
U002	C5000	UTSP C	CE04W50V-10M(UTSP)	1	397581007T

U002	C5001	UTSP C	CE04W50V-10M(UTSP)	1	397581007T
U002	C5002	UTSP C	CE04W50V-10M(UTSP)	1	397581007T
U002	C5003	UTSP C	CE04W50V-10M(UTSP)	1	397581007T
U002	C5004	UTSP C	CE04W50V-10M(UTSP)	1	397581007T
U002	C5005	UTSP C	CE04W50V-10M(UTSP)	1	397581007T
U002	C5006	UTSP C	CE04W50V-10M(UTSP)	1	397581007T
U002	C5010	UTSP C	CE04W50V 47M(UTSP)	1	397584707T
U002	C5011	UTSP C	CE04W50V 47M(UTSP)	1	397584707T
U002	C5012	UTSP C	CE04W50V 47M(UTSP)	1	397584707T
U002	C5013	UTSP C	CE04W50V 47M(UTSP)	1	397584707T
U002	C5014	UTSP C	CE04W50V 47M(UTSP)	1	397584707T
U002	C5015	UTSP C	CE04W50V 47M(UTSP)	1	397584707T
U002	C5016	UTSP C	CE04W50V 47M(UTSP)	1	397584707T
U002	C5020	UPZ C	2AUPZTF471JE	1	376334714T
U002	C5021	UPZ C	2AUPZTF471JE	1	376334714T
U002	C5022	UPZ C	2AUPZTF471JE	1	376334714T
U002	C5023	UPZ C	2AUPZTF471JE	1	376334714T
U002	C5024	UPZ C	2AUPZTF471JE	1	376334714T
U002	C5025	UPZ C	2AUPZTF471JE	1	376334714T
U002	C5026	UPZ C	2AUPZTF471JE	1	376334714T
U002	C5040	UTSP C	CE04W25V-220M(UTSP)	1	397552217T
U002	C5041	UTSP C	CE04W25V-220M(UTSP)	1	397552217T
U002	C5042	UTSP C	CE04W25V-220M(UTSP)	1	397552217T
U002	C5043	UTSP C	CE04W25V-220M(UTSP)	1	397552217T
U002	C5044	UTSP C	CE04W25V-220M(UTSP)	1	397552217T
U002	C5045	UTSP C	CE04W25V-220M(UTSP)	1	397552217T
U002	C5046	UTSP C	CE04W25V-220M(UTSP)	1	397552217T
U002	C5100	UPZ C	2AUPZTF101JE	1	376331014T
U002	C5101	UPZ C	2AUPZTF101JE	1	376331014T
U002	C5102	UPZ C	2AUPZTF101JE	1	376331014T
U002	C5103	UPZ C	2AUPZTF101JE	1	376331014T
U002	C5104	UPZ C	2AUPZTF101JE	1	376331014T
U002	C5105	UPZ C	2AUPZTF101JE	1	376331014T
U002	C5106	UPZ C	2AUPZTF101JE	1	376331014T
U002	C5110	CERA C	CC45SL50V-040C	1	345020401T
U002	C5111	CERA C	CC45SL50V-040C	1	345020401T
U002	C5112	CERA C	CC45SL50V-040C	1	345020401T
U002	C5113	CERA C	CC45SL50V-040C	1	345020401T
U002	C5114	CERA C	CC45SL50V-040C	1	345020401T

U002	C5115	CERA C	CC45SL50V-040C	1	345020401T
U002	C5116	CERA C	CC45SL50V-040C	1	345020401T
U002	C5120	VR C	CE04W100V-22M(VR)	1	394692207T
U002	C5121	VR C	CE04W100V-22M(VR)	1	394692207T
U002	C5122	VR C	CE04W100V-22M(VR)	1	394692207T
U002	C5123	VR C	CE04W100V-22M(VR)	1	394692207T
U002	C5124	VR C	CE04W100V-22M(VR)	1	394692207T
U002	C5125	VR C	CE04W100V-22M(VR)	1	394692207T
U002	C5126	VR C	CE04W100V-22M(VR)	1	394692207T
U002	C5130	VR C	CE04W100V-22M(VR)	1	394692207T
U002	C5131	VR C	CE04W100V-22M(VR)	1	394692207T
U002	C5132	VR C	CE04W100V-22M(VR)	1	394692207T
U002	C5133	VR C	CE04W100V-22M(VR)	1	394692207T
U002	C5134	VR C	CE04W100V-22M(VR)	1	394692207T
U002	C5135	VR C	CE04W100V-22M(VR)	1	394692207T
U002	C5136	VR C	CE04W100V-22M(VR)	1	394692207T
U002	C6000	MKT C	B32529C0102J289	1	376491024T
U002	C6001	MKT C	B32529C0102J289	1	376491024T
U002	C6002	MKT C	B32529C0102J289	1	376491024T
U002	C6003	MKT C	B32529C0102J289	1	376491024T
U002	C6004	MKT C	B32529C0102J289	1	376491024T
U002	C6005	MKT C	B32529C0102J289	1	376491024T
U002	C6006	MKT C	B32529C0102J289	1	376491024T
U002	C6010	UTSP C	CE04W50V 47M(UTSP)	1	397584707T
U002	C6011	UTSP C	CE04W50V 47M(UTSP)	1	397584707T
U002	C6012	UTSP C	CE04W50V 47M(UTSP)	1	397584707T
U002	C6013	UTSP C	CE04W50V 47M(UTSP)	1	397584707T
U002	C6014	UTSP C	CE04W50V 47M(UTSP)	1	397584707T
U002	C6015	UTSP C	CE04W50V 47M(UTSP)	1	397584707T
U002	C6016	UTSP C	CE04W50V 47M(UTSP)	1	397584707T
U002	C6020	UTSP C	CE04W50V-22M(UTSP)	1	397582207T
U002	C6021	UTSP C	CE04W50V-22M(UTSP)	1	397582207T
U002	C6022	UTSP C	CE04W50V-22M(UTSP)	1	397582207T
U002	C6023	UTSP C	CE04W50V-22M(UTSP)	1	397582207T
U002	C6024	UTSP C	CE04W50V-22M(UTSP)	1	397582207T
U002	C6025	UTSP C	CE04W50V-22M(UTSP)	1	397582207T
U002	C6026	UTSP C	CE04W50V-22M(UTSP)	1	397582207T
U002	C6904	TF C	ECQ-V50V-334J	1	374723344T
U002	C6905	VR C	CE04W35V-470M(VR)	1	394664717T

U002	C6911	MKT C	B32529C0102J289	1	376491024T
U002	[RESISTOR]				
U002	R5000	CARBON R	R16J-1K	1	417341024T
U002	R5001	CARBON R	R16J-1K	1	417341024T
U002	R5002	CARBON R	R16J-1K	1	417341024T
U002	R5003	CARBON R	R16J-1K	1	417341024T
U002	R5004	CARBON R	R16J-1K	1	417341024T
U002	R5005	CARBON R	R16J-1K	1	417341024T
U002	R5006	CARBON R	R16J-1K	1	417341024T
U002	R5010	CARBON R	R16J-56K	1	417345634T
U002	R5011	CARBON R	R16J-56K	1	417345634T
U002	R5012	CARBON R	R16J-56K	1	417345634T
U002	R5013	CARBON R	R16J-56K	1	417345634T
U002	R5014	CARBON R	R16J-56K	1	417345634T
U002	R5015	CARBON R	R16J-56K	1	417345634T
U002	R5016	CARBON R	R16J-56K	1	417345634T
U002	R5020	CARBON R	R16J-330	1	417343314T
U002	R5021	CARBON R	R16J-330	1	417343314T
U002	R5022	CARBON R	R16J-330	1	417343314T
U002	R5023	CARBON R	R16J-330	1	417343314T
U002	R5024	CARBON R	R16J-330	1	417343314T
U002	R5025	CARBON R	R16J-330	1	417343314T
U002	R5026	CARBON R	R16J-330	1	417343314T
U002	R5030	CARBON R	R16J-330	1	417343314T
U002	R5031	CARBON R	R16J-330	1	417343314T
U002	R5032	CARBON R	R16J-330	1	417343314T
U002	R5033	CARBON R	R16J-330	1	417343314T
U002	R5034	CARBON R	R16J-330	1	417343314T
U002	R5035	CARBON R	R16J-330	1	417343314T
U002	R5036	CARBON R	R16J-330	1	417343314T
U002	R5040	CARBON R	R16J-330	1	417343314T
U002	R5041	CARBON R	R16J-330	1	417343314T
U002	R5042	CARBON R	R16J-330	1	417343314T
U002	R5043	CARBON R	R16J-330	1	417343314T
U002	R5044	CARBON R	R16J-330	1	417343314T
U002	R5045	CARBON R	R16J-330	1	417343314T
U002	R5046	CARBON R	R16J-330	1	417343314T
U002	R5050	CARBON R	R16J-5.6K	1	417345624T
U002	R5051	CARBON R	R16J-5.6K	1	417345624T

U002	R5052	CARBON R	R16J-5.6K	1	417345624T
U002	R5053	CARBON R	R16J-5.6K	1	417345624T
U002	R5054	CARBON R	R16J-5.6K	1	417345624T
U002	R5055	CARBON R	R16J-5.6K	1	417345624T
U002	R5056	CARBON R	R16J-5.6K	1	417345624T
U002	R5060	CARBON R	R16J-2.7K	1	417342724T
U002	R5061	CARBON R	R16J-2.7K	1	417342724T
U002	R5062	CARBON R	R16J-2.7K	1	417342724T
U002	R5063	CARBON R	R16J-2.7K	1	417342724T
U002	R5064	CARBON R	R16J-2.7K	1	417342724T
U002	R5065	CARBON R	R16J-2.7K	1	417342724T
U002	R5066	CARBON R	R16J-2.7K	1	417342724T
U002	R5070	CARBON R	R16J-100K	1	417341044T
U002	R5071	CARBON R	R16J-100K	1	417341044T
U002	R5072	CARBON R	R16J-100K	1	417341044T
U002	R5073	CARBON R	R16J-100K	1	417341044T
U002	R5074	CARBON R	R16J-100K	1	417341044T
U002	R5075	CARBON R	R16J-100K	1	417341044T
U002	R5076	CARBON R	R16J-100K	1	417341044T
U002	R5090	CARBON R	R16J-1.8K	1	417341824T
U002	R5091	CARBON R	R16J-1.8K	1	417341824T
U002	R5092	CARBON R	R16J-1.8K	1	417341824T
U002	R5093	CARBON R	R16J-1.8K	1	417341824T
U002	R5094	CARBON R	R16J-1.8K	1	417341824T
U002	R5095	CARBON R	R16J-1.8K	1	417341824T
U002	R5096	CARBON R	R16J-1.8K	1	417341824T
U002	R5110	CARBON R	R16J-2.2K	1	417342224T
U002	R5111	CARBON R	R16J-2.2K	1	417342224T
U002	R5112	CARBON R	R16J-2.2K	1	417342224T
U002	R5113	CARBON R	R16J-2.2K	1	417342224T
U002	R5114	CARBON R	R16J-2.2K	1	417342224T
U002	R5115	CARBON R	R16J-2.2K	1	417342224T
U002	R5116	CARBON R	R16J-2.2K	1	417342224T
U002	R5120	CARBON R	R16J-2.2K	1	417342224T
U002	R5121	CARBON R	R16J-2.2K	1	417342224T
U002	R5122	CARBON R	R16J-2.2K	1	417342224T
U002	R5123	CARBON R	R16J-2.2K	1	417342224T
U002	R5124	CARBON R	R16J-2.2K	1	417342224T
U002	R5125	CARBON R	R16J-2.2K	1	417342224T

U002	R5126	CARBON R	R16J-2.2K	1	417342224T
U002	R5130	NF CARBON R	R25J-820	1	415478214T
U002	R5131	NF CARBON R	R25J-820	1	415478214T
U002	R5132	NF CARBON R	R25J-820	1	415478214T
U002	R5133	NF CARBON R	R25J-820	1	415478214T
U002	R5134	NF CARBON R	R25J-820	1	415478214T
U002	R5135	NF CARBON R	R25J-820	1	415478214T
U002	R5136	NF CARBON R	R25J-820	1	415478214T
U002	R5140	NF CARBON R	R25J-820	1	415478214T
U002	R5141	NF CARBON R	R25J-820	1	415478214T
U002	R5142	NF CARBON R	R25J-820	1	415478214T
U002	R5143	NF CARBON R	R25J-820	1	415478214T
U002	R5144	NF CARBON R	R25J-820	1	415478214T
U002	R5145	NF CARBON R	R25J-820	1	415478214T
U002	R5146	NF CARBON R	R25J-820	1	415478214T
U002	R5150	METAL O R	RS1/2WBJ-1K	1	443521024T
U002	R5151	METAL O R	RS1/2WBJ-1K	1	443521024T
U002	R5152	METAL O R	RS1/2WBJ-1K	1	443521024T
U002	R5153	METAL O R	RS1/2WBJ-1K	1	443521024T
U002	R5154	METAL O R	RS1/2WBJ-1K	1	443521024T
U002	R5155	METAL O R	RS1/2WBJ-1K	1	443521024T
U002	R5156	METAL O R	RS1/2WBJ-1K	1	443521024T
U002	R5170	NF CARBON R	R25J-820	1	415478214T
U002	R5171	NF CARBON R	R25J-820	1	415478214T
U002	R5172	NF CARBON R	R25J-820	1	415478214T
U002	R5173	NF CARBON R	R25J-820	1	415478214T
U002	R5174	NF CARBON R	R25J-820	1	415478214T
U002	R5175	NF CARBON R	R25J-820	1	415478214T
U002	R5176	NF CARBON R	R25J-820	1	415478214T
U002	R5180	NF CARBON R	R25J-33	1	415473304T
U002	R5181	NF CARBON R	R25J-33	1	415473304T
U002	R5182	NF CARBON R	R25J-33	1	415473304T
U002	R5183	NF CARBON R	R25J-33	1	415473304T
U002	R5184	NF CARBON R	R25J-33	1	415473304T
U002	R5185	NF CARBON R	R25J-33	1	415473304T
U002	R5186	NF CARBON R	R25J-33	1	415473304T
U002	R5210	CARBON R	R16J-18K	1	417341834T
U002	R5211	CARBON R	R16J-18K	1	417341834T
U002	R5212	CARBON R	R16J-18K	1	417341834T

U002	R5213	CARBON R	R16J-18K	1	417341834T
U002	R5214	CARBON R	R16J-18K	1	417341834T
U002	R5215	CARBON R	R16J-18K	1	417341834T
U002	R5216	CARBON R	R16J-18K	1	417341834T
U002	R5220	CARBON R	R16J-18K	1	417341834T
U002	R5221	CARBON R	R16J-18K	1	417341834T
U002	R5222	CARBON R	R16J-18K	1	417341834T
U002	R5223	CARBON R	R16J-18K	1	417341834T
U002	R5224	CARBON R	R16J-18K	1	417341834T
U002	R5225	CARBON R	R16J-18K	1	417341834T
U002	R5226	CARBON R	R16J-18K	1	417341834T
U002	R5230	NF CARBON R	R25J-15	1	415471504T
U002	R5231	NF CARBON R	R25J-15	1	415471504T
U002	R5232	NF CARBON R	R25J-15	1	415471504T
U002	R5233	NF CARBON R	R25J-15	1	415471504T
U002	R5234	NF CARBON R	R25J-15	1	415471504T
U002	R5235	NF CARBON R	R25J-15	1	415471504T
U002	R5236	NF CARBON R	R25J-15	1	415471504T
U002	R5240	NF CARBON R	R25J-15	1	415471504T
U002	R5241	NF CARBON R	R25J-15	1	415471504T
U002	R5242	NF CARBON R	R25J-15	1	415471504T
U002	R5243	NF CARBON R	R25J-15	1	415471504T
U002	R5244	NF CARBON R	R25J-15	1	415471504T
U002	R5245	NF CARBON R	R25J-15	1	415471504T
U002	R5246	NF CARBON R	R25J-15	1	415471504T
U002	R5250	CARBON R	R16J-68K	1	417346834T
U002	R5251	CARBON R	R16J-68K	1	417346834T
U002	R5252	CARBON R	R16J-68K	1	417346834T
U002	R5253	CARBON R	R16J-68K	1	417346834T
U002	R5254	CARBON R	R16J-68K	1	417346834T
U002	R5255	CARBON R	R16J-68K	1	417346834T
U002	R5256	CARBON R	R16J-68K	1	417346834T
U002	R5260	CARBON R	R16J-270K	1	417342744T
U002	R5261	CARBON R	R16J-270K	1	417342744T
U002	R5262	CARBON R	R16J-270K	1	417342744T
U002	R5263	CARBON R	R16J-270K	1	417342744T
U002	R5264	CARBON R	R16J-270K	1	417342744T
U002	R5265	CARBON R	R16J-270K	1	417342744T
U002	R5266	CARBON R	R16J-270K	1	417342744T

U002	R5280	METAL O R	RS1/2WBJ-1K	1	443521024T
U002	R5281	METAL O R	RS1/2WBJ-1K	1	443521024T
U002	R5282	METAL O R	RS1/2WBJ-1K	1	443521024T
U002	R5283	METAL O R	RS1/2WBJ-1K	1	443521024T
U002	R5284	METAL O R	RS1/2WBJ-1K	1	443521024T
U002	R5285	METAL O R	RS1/2WBJ-1K	1	443521024T
U002	R5286	METAL O R	RS1/2WBJ-1K	1	443521024T
U002	R5290	CARBON R	R16J-100K	1	417341044T
U002	R5291	CARBON R	R16J-100K	1	417341044T
U002	R5292	CARBON R	R16J-100K	1	417341044T
U002	R5293	CARBON R	R16J-100K	1	417341044T
U002	R5294	CARBON R	R16J-100K	1	417341044T
U002	R5295	CARBON R	R16J-100K	1	417341044T
U002	R5296	CARBON R	R16J-100K	1	417341044T
U002	R5300	NF CARBON R	R25J-120	1	415471214T
U002	R5301	NF CARBON R	R25J-120	1	415471214T
U002	R5302	NF CARBON R	R25J-120	1	415471214T
U002	R5303	NF CARBON R	R25J-120	1	415471214T
U002	R5304	NF CARBON R	R25J-120	1	415471214T
U002	R5305	NF CARBON R	R25J-120	1	415471214T
U002	R5306	NF CARBON R	R25J-120	1	415471214T
U002	R5330	NF CARBON R	R25J-120	1	415471214T
U002	R5331	NF CARBON R	R25J-120	1	415471214T
U002	R5332	NF CARBON R	R25J-120	1	415471214T
U002	R5333	NF CARBON R	R25J-120	1	415471214T
U002	R5334	NF CARBON R	R25J-120	1	415471214T
U002	R5335	NF CARBON R	R25J-120	1	415471214T
U002	R5336	NF CARBON R	R25J-120	1	415471214T
U002	R6010	CARBON R	R16J-5.6K	1	417345624T
U002	R6011	CARBON R	R16J-5.6K	1	417345624T
U002	R6012	CARBON R	R16J-5.6K	1	417345624T
U002	R6013	CARBON R	R16J-5.6K	1	417345624T
U002	R6014	CARBON R	R16J-5.6K	1	417345624T
U002	R6015	CARBON R	R16J-5.6K	1	417345624T
U002	R6016	CARBON R	R16J-5.6K	1	417345624T
U002	R6020	CARBON R	R16J-3.9K	1	417343924T
U002	R6021	CARBON R	R16J-3.9K	1	417343924T
U002	R6022	CARBON R	R16J-3.9K	1	417343924T
U002	R6023	CARBON R	R16J-3.9K	1	417343924T

U002	R6024	CARBON R	R16J-3.9K	1	417343924T
U002	R6025	CARBON R	R16J-3.9K	1	417343924T
U002	R6026	CARBON R	R16J-3.9K	1	417343924T
U002	R6030	CARBON R	R16J-470	1	417344714T
U002	R6031	CARBON R	R16J-470	1	417344714T
U002	R6032	CARBON R	R16J-470	1	417344714T
U002	R6033	CARBON R	R16J-470	1	417344714T
U002	R6034	CARBON R	R16J-470	1	417344714T
U002	R6035	CARBON R	R16J-470	1	417344714T
U002	R6036	CARBON R	R16J-470	1	417344714T
U002	R6040	TRIM R	N06HR2KBB	1	5211402T
U002	R6041	TRIM R	N06HR2KBB	1	5211402T
U002	R6042	TRIM R	N06HR2KBB	1	5211402T
U002	R6043	TRIM R	N06HR2KBB	1	5211402T
U002	R6044	TRIM R	N06HR2KBB	1	5211402T
U002	R6045	TRIM R	N06HR2KBB	1	5211402T
U002	R6046	TRIM R	N06HR2KBB	1	5211402T
U002	R6050	CARBON R	R16J-3.9K	1	417343924T
U002	R6051	CARBON R	R16J-3.9K	1	417343924T
U002	R6052	CARBON R	R16J-3.9K	1	417343924T
U002	R6053	CARBON R	R16J-3.9K	1	417343924T
U002	R6054	CARBON R	R16J-3.9K	1	417343924T
U002	R6055	CARBON R	R16J-3.9K	1	417343924T
U002	R6056	CARBON R	R16J-3.9K	1	417343924T
U002	R6070	NF CARBON R	R25J-82	1	415478204T
U002	R6071	NF CARBON R	R25J-82	1	415478204T
U002	R6072	NF CARBON R	R25J-82	1	415478204T
U002	R6073	NF CARBON R	R25J-82	1	415478204T
U002	R6074	NF CARBON R	R25J-82	1	415478204T
U002	R6075	NF CARBON R	R25J-82	1	415478204T
U002	R6076	NF CARBON R	R25J-82	1	415478204T
U002	R6080	METAL O R	RS1/2WBJ-10	1	443521004T
U002	R6081	METAL O R	RS1/2WBJ-10	1	443521004T
U002	R6082	METAL O R	RS1/2WBJ-10	1	443521004T
U002	R6083	METAL O R	RS1/2WBJ-10	1	443521004T
U002	R6084	METAL O R	RS1/2WBJ-10	1	443521004T
U002	R6085	METAL O R	RS1/2WBJ-10	1	443521004T
U002	R6086	METAL O R	RS1/2WBJ-10	1	443521004T
U002	R6090	METAL O R	RS1/2WBJ-10	1	443521004T

U002	R6091	METAL O R	RS1/2WBJ-10	1	443521004T
U002	R6092	METAL O R	RS1/2WBJ-10	1	443521004T
U002	R6093	METAL O R	RS1/2WBJ-10	1	443521004T
U002	R6094	METAL O R	RS1/2WBJ-10	1	443521004T
U002	R6095	METAL O R	RS1/2WBJ-10	1	443521004T
U002	R6096	METAL O R	RS1/2WBJ-10	1	443521004T
U002	R6110	CARBON R	R16J-10K	1	417341034T
U002	R6111	CARBON R	R16J-10K	1	417341034T
U002	R6112	CARBON R	R16J-10K	1	417341034T
U002	R6113	CARBON R	R16J-10K	1	417341034T
U002	R6114	CARBON R	R16J-10K	1	417341034T
U002	R6115	CARBON R	R16J-10K	1	417341034T
U002	R6116	CARBON R	R16J-10K	1	417341034T
U002	R6250	NF CARBON R	R25J-120	1	415471214T
U002	R6251	NF CARBON R	R25J-120	1	415471214T
U002	R6252	NF CARBON R	R25J-120	1	415471214T
U002	R6253	NF CARBON R	R25J-120	1	415471214T
U002	R6254	NF CARBON R	R25J-120	1	415471214T
U002	R6255	NF CARBON R	R25J-120	1	415471214T
U002	R6256	NF CARBON R	R25J-120	1	415471214T
U002	R6260	NF CARBON R	R25J-120	1	415471214T
U002	R6261	NF CARBON R	R25J-120	1	415471214T
U002	R6262	NF CARBON R	R25J-120	1	415471214T
U002	R6263	NF CARBON R	R25J-120	1	415471214T
U002	R6264	NF CARBON R	R25J-120	1	415471214T
U002	R6265	NF CARBON R	R25J-120	1	415471214T
U002	R6266	NF CARBON R	R25J-120	1	415471214T
U002	R6270	NF CARBON R	R25J-18	1	415471804T
U002	R6271	NF CARBON R	R25J-18	1	415471804T
U002	R6272	NF CARBON R	R25J-18	1	415471804T
U002	R6273	NF CARBON R	R25J-18	1	415471804T
U002	R6274	NF CARBON R	R25J-18	1	415471804T
U002	R6275	NF CARBON R	R25J-18	1	415471804T
U002	R6276	NF CARBON R	R25J-18	1	415471804T
U002	R6280	NF CARBON R	R25J-18	1	415471804T
U002	R6281	NF CARBON R	R25J-18	1	415471804T
U002	R6282	NF CARBON R	R25J-18	1	415471804T
U002	R6283	NF CARBON R	R25J-18	1	415471804T
U002	R6284	NF CARBON R	R25J-18	1	415471804T

U002	R6285	NF CARBON R	R25J-18	1	415471804T	
U002	R6286	NF CARBON R	R25J-18	1	415471804T	
U002	R6290	NF CARBON R	R25J-2.2	1	415470224T	
U002	R6291	NF CARBON R	R25J-2.2	1	415470224T	
U002	R6292	NF CARBON R	R25J-2.2	1	415470224T	
U002	R6293	NF CARBON R	R25J-2.2	1	415470224T	
U002	R6294	NF CARBON R	R25J-2.2	1	415470224T	
U002	R6295	NF CARBON R	R25J-2.2	1	415470224T	
U002	R6296	NF CARBON R	R25J-2.2	1	415470224T	
U002	R6300	NF CARBON R	R25J-2.2	1	415470224T	
U002	R6301	NF CARBON R	R25J-2.2	1	415470224T	
U002	R6302	NF CARBON R	R25J-2.2	1	415470224T	
U002	R6303	NF CARBON R	R25J-2.2	1	415470224T	
U002	R6304	NF CARBON R	R25J-2.2	1	415470224T	
U002	R6305	NF CARBON R	R25J-2.2	1	415470224T	
U002	R6306	NF CARBON R	R25J-2.2	1	415470224T	
U002	R6310	NF CARBON R	R25J-10	1	415471004T	
U002	R6311	NF CARBON R	R25J-10	1	415471004T	
U002	R6312	NF CARBON R	R25J-10	1	415471004T	
U002	R6313	NF CARBON R	R25J-10	1	415471004T	
U002	R6314	NF CARBON R	R25J-10	1	415471004T	
U002	R6315	NF CARBON R	R25J-10	1	415471004T	
U002	R6316	NF CARBON R	R25J-10	1	415471004T	
U002	R6901	METAL O R	RS1WBJ-100	1	443621014T	
U002	R6902	CARBON R	R16J-1K	1	417341024T	
U002	R6903	CARBON R	R16J-47K	1	417344734T	
U002	R6904	METAL R	RNU1/2WCJ-0.22	1	453532294T	
U002	R6905	METAL R	RNU1/2WCJ-0.22	1	453532294T	
U002	[SW TRM]					
U002	F6901C	FUSE HOLDER	SN5051	1	250113	!
U002	F6901D	FUSE HOLDER	SN5051	1	250113	!
U002	F6902C	FUSE HOLDER	SN5051	1	250113	!
U002	F6902D	FUSE HOLDER	SN5051	1	250113	!
U002	JL6602B	WIRE TRAP	NPLG-3P586	1	25055624	
U002	P5010A	SOCKET	NSCT-3P2183	1	25052286	
U002	P5011A	SOCKET	NSCT-3P2183	1	25052286	
U002	P5012A	SOCKET	NSCT-3P2183	1	25052286	
U002	P5013A	SOCKET	NSCT-3P2183	1	25052286	
U002	P5014A	SOCKET	NSCT-3P2183	1	25052286	

U002	P5015A	SOCKET	NSCT-3P2183	1	25052286	
U002	P5016A	SOCKET	NSCT-3P2183	1	25052286	
U002	P5020A	TRM	NTM-1P233(M1969)	1	25060302	
U002	P5021A	TRM	NTM-1P233(M1969)	1	25060302	
U002	P5022A	TRM	NTM-1P233(M1969)	1	25060302	
U002	P5023A	TRM	NTM-1P233(M1969)	1	25060302	
U002	P5024A	TRM	NTM-1P233(M1969)	1	25060302	
U002	P5025A	TRM	NTM-1P233(M1969)	1	25060302	
U002	P5026A	TRM	NTM-1P233(M1969)	1	25060302	
U002	P6030B	SOCKET	IMSA-9115S-09L	1	25052989	N
U002	P6031B	SOCKET	IMSA-9115S-09L	1	25052989	N
U002	P6032B	SOCKET	IMSA-9115S-09L	1	25052989	N
U002	P6033B	SOCKET	IMSA-9115S-09L	1	25052989	N
U002	P6034B	SOCKET	IMSA-9115S-09L	1	25052989	N
U002	P6035B	SOCKET	IMSA-9115S-09L	1	25052989	N
U002	P6036B	SOCKET	IMSA-9115S-09L	1	25052989	N
U002	P6601A	PLUG	NPLG-3P159	1	25055175	
U002	P6950	PLUG	NPLG-5P161	1	25055177	
U002	RL6901	RELAY	NRL-1P10A-DC12-198	1	25065709	
U002	RL6901 or	RELAY	NRL-1P10A-DC12-196	(1)	25065707	
U002	RL6902	RELAY	NRL-1P10A-DC12-198	1	25065709	
U002	RL6902 or	RELAY	NRL-1P10A-DC12-196	(1)	25065707	
U003	U003	U0030 + U0031 + U0032 + U0033				
U003	U0030	Speaker terminal board ass'y	BATRM-0450-1A/ 1B			
U003	U0031	Zone2/3 Speaker terminal board ass'y	BATRM-0451-1A/ 1B			
U003	U0032	Center Speaker terminal board ass'y	BATRM-0452-1A/ 1B			
U003	U0033	Primary power supply board ass'y	BAPS-0454-1A/ 1B			
U003	CIRCUIT NO.	PART NAME	DESCRIPTION	Q'TY	PART NO. (SN)	REMARKS
U003	[SEMI CONDUCTOR]					
U003	D6600	DIODE	1SS133	1	223163T	
U003	D6603	DIODE	1SS133	1	223163T	
U003	D6604	DIODE	1SS133	1	223163T	
U003	D6605	DIODE	1SS133	1	223163T	
U003	D6606	DIODE	1SS133	1	223163T	
U003	D6610	DIODE	1SS133	1	223163T	
U003	D911	DIODE	1SS133	1	223163T	
U003	D912	DIODE	1SS133	1	223163T	

U003	D921	DIODE	ISS133	1	223163T
U003	D922	DIODE	ISS133	1	223163T
U003	D923	DIODE	ISS133	1	223163T
U003	D924	DIODE	ISS133	1	223163T
U003	D925	DIODE	ISS133	1	223163T
U003	D926	DIODE	ISS133	1	223163T
U003	D930	DIODE	ISS133	1	223163T
U003	D9300	DIODE	D3SBA20	1	22380271F
U003	D9300 or	DIODE	RBV402	(1)	22380022F
U003	D9300 or	DIODE	D3SBA60	(1)	22380272F
U003	D9301	ZENER D	MTZJ15B	1	224471502T
U003	D9302	ZENER D	MTZJ15B	1	224471502T
U003	D9303	DIODE	ISS133	1	223163T
U003	D9304	DIODE	ISS133	1	223163T
U003	D931	DIODE	ISS133	1	223163T
U003	D933	DIODE	ISS133	1	223163T
U003	D934	ZENER D	MTZJ3.6B	1	224470362T
U003	D935	DIODE	ISS133	1	223163T
U003	Q6601	TR	KRC105M	1	2215830T
U003	Q6601 or	TR	DTC123JS	(1)	2213640T
U003	Q6602	TR	KRC105M	1	2215830T
U003	Q6602 or	TR	DTC123JS	(1)	2213640T
U003	Q6603	TR	KRC105M	1	2215830T
U003	Q6603 or	TR	DTC123JS	(1)	2213640T
U003	Q6604	TR	KRC105M	1	2215830T
U003	Q6604 or	TR	DTC123JS	(1)	2213640T
U003	Q6605	TR	KRC105M	1	2215830T
U003	Q6605 or	TR	DTC123JS	(1)	2213640T
U003	Q6606	TR	KRC105M	1	2215830T
U003	Q6606 or	TR	DTC123JS	(1)	2213640T
U003	Q6608	TR	2SC2235-Y(TPE6_F)	1	2211654T
U003	Q901	TR	2SC1815-GR	1	2211255T
U003	Q901 or	TR	2SC1815-Y	(1)	2211254T
U003	Q9301	TR	2SK365-GR	1	2212445T
U003	Q9302	TR	2SK365-GR	1	2212445T
U003	Q9303	TR	2SC1815-GR	1	2211255T
U003	Q9303 or	TR	2SC1815-Y	(1)	2211254T
U003	Q9304	TR	2SA1015-GR	1	2211455T
U003	Q9304 or	TR	2SA1015-Y	(1)	2211454T

U003	Q9305	TR	2SA1488-Y	1	2203394	
U003	Q9305 or	TR	2SB1565-E	(1)	2202715	
U003	Q9305A	HEAT SINK	(RAD-255)	1	27160647	N
U003	Q9305B	SCREW	3P+10FN(3BC)	2	82143010GR	
U003	Q9306	TR	2SC3851-Y	1	2203384	
U003	Q9306 or	TR	2SD2394-E	(1)	2202705	
U003	[TRANS COIL]					
U003	T902	P TRANS	NPT-1520JQ	1	2301812A	! <MDC, MDF>
U003	T902	P TRANS	NPT-1520GQ	1	2301813A	! <MMA, MMB, MMP, MMQ, MMR>
U003	[CAPACITOR]					
U003	C6600	TF C	ECQ-V50V-103J	1	374721034T	
U003	C6602	TF C	ECQ-V50V-103J	1	374721034T	
U003	C6603	TF C	ECQ-V50V-103J	1	374721034T	
U003	C6604	TF C	ECQ-V50V-103J	1	374721034T	
U003	C6605	TF C	ECQ-V50V-103J	1	374721034T	
U003	C6606	TF C	ECQ-V50V-103J	1	374721034T	
U003	C6607	UTSP C	CE04W50V-10M(UTSP)	1	397581007T	
U003	C6608	VR C	CE04W35V-470M(VR)	1	394664717T	
U003	C6609	UTSP C	CE04W50V-10M(UTSP)	1	397581007T	
U003	C6639	MKT C	B32529C0472J289	1	376494724T	
U003	C6640	MKT C	B32529C0472J289	1	376494724T	
U003	C6641	MKT C	B32529C0472J289	1	376494724T	
U003	C6642	MKT C	B32529C0472J289	1	376494724T	
U003	C6643	MKT C	B32529C0472J289	1	376494724T	
U003	C6644	MKT C	B32529C0472J289	1	376494724T	
U003	C6645	MKT C	B32529C0472J289	1	376494724T	
U003	C6646	MKT C	B32529C0472J289	1	376494724T	
U003	C6647	MKT C	B32529C0472J289	1	376494724T	
U003	C6648	MKT C	B32529C0472J289	1	376494724T	
U003	C6649	MKT C	B32529C0472J289	1	376494724T	
U003	C6650	MKT C	B32529C0102J289	1	376491024T	
U003	C6651	MKT C	B32529C0102J289	1	376491024T	
U003	C6652	MKT C	B32529C0102J289	1	376491024T	
U003	C6653	MKT C	B32529C0102J289	1	376491024T	
U003	C6654	MKT C	B32529C0102J289	1	376491024T	
U003	C6655	MKT C	B32529C0102J289	1	376491024T	
U003	C6656	MKT C	B32529C0102J289	1	376491024T	
U003	C6657	MKT C	B32529C0102J289	1	376491024T	
U003	C6658	MKT C	B32529C0102J289	1	376491024T	

U003	C6659	MKT C	B32529C0102J289	1	376491024T	
U003	C6660	MKT C	B32529C0102J289	1	376491024T	
U003	C901	IS C	ECQU2A103MLC	1	3800039S	!
U003	C901 or	IS C	RE275V-103M	(1)	3500196S	!
U003	C901 or	IS C	LE103-C3.5	(1)	3800042S	!
U003	C902	TF C	ECQ-V50V-104J	1	374721044T	!
U003	C903	PLA C	MKP R46 104M	1	3800041S	!
U003	C911	MKT C	B32529C0102J289	1	376491024T	
U003	C921	TF C	ECQ-V50V-223J	1	374722234T	
U003	C922	VR C	CE04W25V-2200M(VR)	1	394652227S	
U003	C930	UTSP C	CE04W16V-470M(UTSP)	1	397544717T	
U003	C9300	VR C	CE04W35V-2200M(VR)	1	394662227S	
U003	C9301	VR C	CE04W35V-2200M(VR)	1	394662227S	
U003	C9302	UTSP C	CE04W25V-100M(UTSP)	1	397551017T	
U003	C9303	UTSP C	CE04W25V-100M(UTSP)	1	397551017T	
U003	C9304	UTSP C	CE04W25V-100M(UTSP)	1	397551017T	
U003	C9305	UTSP C	CE04W25V-100M(UTSP)	1	397551017T	
U003	C9306	TF C	ECQ-V50V-334J	1	374723344T	
U003	C933	UTSP C	CE04W50V-4.7M(UTSP)	1	397580477T	
U003	[RESISTOR]					
U003	R6601	METAL O R	RS1/2WBJ-220	1	443522214T	
U003	R6691	METAL O R	RS1/2WBJ-390	1	443523914T	
U003	R6692	METAL O R	RS1/2WBJ-390	1	443523914T	
U003	R921	METAL O R	RS1/2WBJ-47	1	443524704T	
U003	R922	METAL O R	RS1/2WBJ-68	1	443526804T	
U003	R9302	METAL R	RNU1/2WCJ-1	1	453530104T	
U003	R9303	METAL R	RNU1/2WCJ-1	1	453530104T	
U003	R9304	CARBON R	R16J-330	1	417343314T	
U003	R9305	CARBON R	R16J-330	1	417343314T	
U003	R934	CARBON R	R16J-33K	1	417343334T	
U003	R935	CARBON R	R16J-100K	1	417341044T	
U003	R936	CARBON R	R16J-1K	1	417341024T	
U003	[SW TRM]					
U003	E6611	TRM	NTM-1P232(M1700)	1	25060301	
U003	E6612	TRM-423(SCREW)	NEJITANSI ST3	1	25060495	
U003	E901	TRM-423(SCREW)	NEJITANSI ST3	1	25060495	
U003	E902	TRM	NTM-1P233(M1969)	1	25060302	
U003	F901A	FUSE HOLDER	SN5051	1	250113	! <MDC, MDF>
U003	F901B	FUSE HOLDER	SN5051	1	250113	! <MDC, MDF>

U003	F901C	FUSE HOL	NSCT-1P2031	1	25052133T	!	<MMA, MMB, MMP, MMQ, MMR>
U003	F901D	FUSE HOL	NSCT-1P2031	1	25052133T	!	<MMA, MMB, MMP, MMQ, MMR>
U003	JL4103A	SOCKET	NSCT-5P97	1	25050269		
U003	JL6604A	WIRE HOL	NSCT-7P898	1	25051111		
U003	JL6604B	SOCKET	NSCT-7P99	1	25050271		
U003	JL6607A	WIRE HOL	NSCT-3P894	1	25051107		
U003	JL6607B	WIRE HOL	NSCT-3P894	1	25051107		
U003	JL901A	WIRE HOL	NSCT-5P876	1	25051089		
U003	JL9925A	WIRE HOL	NSCT-5P876	1	25051089		
U003	P1008A	SOCKET	IMSA-9142S-22A	1	25053233		
U003	P6600	PLUG	NPLG-9P491	1	25055516		
U003	P6601A	SOCKET	IMSA-9142S-16A	1	25053230		
U003	P6603B	PLUG	NPLG-11P493	1	25055518		
U003	P6605A	SOCKET	IMSA-9142S-22A	1	25053233		
U003	P6606B	PLUG	NPLG-9P356	1	25055373		
U003	P6610	TRM	NTM-2PDMCR400	1	25060472		
U003	P6630	TRM	NTM-2PDMCR400	1	25060472		
U003	P6631	TRM	NTM-2PDMCR400	1	25060472		
U003	P6632	TRM	NTM-2PDMCR400	1	25060472		
U003	P6633	TRM	NTM-2PDMCR400	1	25060472		
U003	P6634	TRM	NTM-2PDMCR400	1	25060472		
U003	P6635	TRM	NTM-2PDMCR400	1	25060472		
U003	P6636	TRM	NTM-2PDMCR400	1	25060472		
U003	P6637	TRM	NTM-2PDMCR400	1	25060472		
U003	P6638	TRM	NTM-2PDMCR400	1	25060472		
U003	P6639	TRM	NTM-2PDMCR400	1	25060472		
U003	P902B	PLUG	NPLG-2P631	1	25055675	!	
U003	P902Bor	PLUG	1-1123724-2	(1)	25056402	!	
U003	P911	PLUG	NPLG-2P631	1	25055675	!	
U003	P911 or	PLUG	1-1123724-2	(1)	25056402	!	
U003	P921C	PLUG	NPLG-2P631	1	25055675	!	
U003	P921Cor	PLUG	1-1123724-2	(1)	25056402	!	
U003	P9311	PLUG	NPLG-3P117	1	25055133		
U003	RL6600	RELAY	NRL-2P5A-DC24-193	1	25065703		
U003	RL6600 or	RELAY	NRL-2P8A-DC24-144	(1)	25065590		
U003	RL6600 or	RELAY	NRL-2P5A-DC24-129	(1)	25065563A		
U003	RL6602	RELAY	NRL-2P5A-DC24-193	1	25065703		
U003	RL6602 or	RELAY	NRL-2P8A-DC24-144	(1)	25065590		
U003	RL6602 or	RELAY	NRL-2P5A-DC24-129	(1)	25065563A		

U003	RL6603	RELAY	NRL-2P5A-DC24-193	1	25065703	
U003	RL6603 or	RELAY	NRL-2P8A-DC24-144	(1)	25065590	
U003	RL6603 or	RELAY	NRL-2P5A-DC24-129	(1)	25065563A	
U003	RL6604	RELAY	NRL-2P5A-DC24-193	1	25065703	
U003	RL6604 or	RELAY	NRL-2P5A-DC24-129	(1)	25065563A	
U003	RL6605	RELAY	NRL-2P5A-DC24-193	1	25065703	
U003	RL6605 or	RELAY	NRL-2P8A-DC24-144	(1)	25065590	
U003	RL6605 or	RELAY	NRL-2P5A-DC24-129	(1)	25065563A	
U003	RL6606	RELAY	NRL-2P5A-DC24-193	1	25065703	
U003	RL6606 or	RELAY	NRL-2P8A-DC24-144	(1)	25065590	
U003	RL6606 or	RELAY	NRL-2P5A-DC24-129	(1)	25065563A	
U003	RL901	RELAY	NRL-1P10A-DC9-186	1	25065683	!
U004	U004	U0040 + U0041				
U004	U0040	ASP/ audio input board ass'y	BAASP-0458-1N			
U004	U0041	PC in terminal board ass'y	BAETC-0459-1N			
U004						
U004	CIRCUIT NO.	PART NAME	DESCRIPTION	Q'TY	PART NO. (SN)	REMARKS
U004	[SEMI CONDUCTOR]					
U004	D4505	C-DIODE	KDS4148U	1	223283R2	
U004	D4505 or	C-DIODE	1SS352	(1)	223234R2	
U004	D4505 or	C-DIODE	MA2J1110GL	(1)	223302R2	
U004	D4506	C-DIODE	KDS4148U	1	223283R2	
U004	D4506 or	C-DIODE	1SS352	(1)	223234R2	
U004	D4506 or	C-DIODE	MA2J1110GL	(1)	223302R2	
U004	D4507	C-DIODE	KDS4148U	1	223283R2	
U004	D4507 or	C-DIODE	1SS352	(1)	223234R2	
U004	D4507 or	C-DIODE	MA2J1110GL	(1)	223302R2	
U004	D4508	C-DIODE	KDS4148U	1	223283R2	
U004	D4508 or	C-DIODE	1SS352	(1)	223234R2	
U004	D4508 or	C-DIODE	MA2J1110GL	(1)	223302R2	
U004	D4515	C-DIODE	KDS4148U	1	223283R2	
U004	D4515 or	C-DIODE	1SS352	(1)	223234R2	
U004	D4515 or	C-DIODE	MA2J1110GL	(1)	223302R2	
U004	D4516	C-DIODE	KDS4148U	1	223283R2	
U004	D4516 or	C-DIODE	1SS352	(1)	223234R2	
U004	D4516 or	C-DIODE	MA2J1110GL	(1)	223302R2	
U004	D4517	C-DIODE	KDS4148U	1	223283R2	
U004	D4517 or	C-DIODE	1SS352	(1)	223234R2	

U004	D4517 or	C-DIODE	MA2J1110GL	(1)	223302R2
U004	D4518	C-DIODE	KDS4148U	1	223283R2
U004	D4518 or	C-DIODE	1SS352	(1)	223234R2
U004	D4518 or	C-DIODE	MA2J1110GL	(1)	223302R2
U004	D4900	ZENER D	UDZS7.5B	1	224550750R2
U004	D4901	ZENER D	UDZS13B	1	224551300R2
U004	D4910	ZENER D	UDZS7.5B	1	224550750R2
U004	D4911	ZENER D	UDZS13B	1	224551300R2
U004	Q4500	IC	R2A15220FP	1	22242600R3
U004	Q4501	IC	R2A15218FP	1	22242605R3
U004	Q4502	IC	NJM4580M-D	1	22241448R2
U004	Q4503	IC	NJM4580M-D	1	22241448R2
U004	Q4504	IC	NJM4580M-D	1	22241448R2
U004	Q4550	TR	2SK365-GR	1	2212445T
U004	Q4551	TR	2SA1488-Y	1	2203394
U004	Q4552	TR	2SC1815-GR	1	2211255T
U004	Q4553	TR	2SC2235-Y(TPE6_F)	1	2211654T
U004	Q4560	TR	2SK365-GR	1	2212445T
U004	Q4561	TR	2SC3851-Y	1	2203384
U004	Q4562	TR	2SA1015-GR	1	2211455T
U004	Q4563	TR	2SA965-Y(TPE6_F)	1	2211644T
U004	Q4600	TR	RN1441	1	2215410R2
U004	Q4601	TR	RN1441	1	2215410R2
U004	Q4602	TR	RN1441	1	2215410R2
U004	Q4603	TR	RN1441	1	2215410R2
U004	Q4604	TR	RN1441	1	2215410R2
U004	Q4605	TR	RN1441	1	2215410R2
U004	Q4606	TR	RN1441	1	2215410R2
U004	Q4607	TR	RN1441	1	2215410R2
U004	Q4616	TR	RN1441	1	2215410R2
U004	Q4617	TR	RN1441	1	2215410R2
U004	Q4620	TR	RN1441	1	2215410R2
U004	Q4621	TR	RN1441	1	2215410R2
U004	Q4622	TR	RN1441	1	2215410R2
U004	Q4623	TR	RN1441	1	2215410R2
U004	Q4624	TR	RN1441	1	2215410R2
U004	Q4625	TR	RN1441	1	2215410R2
U004	Q4630	TR	RN1441	1	2215410R2
U004	Q4631	TR	RN1441	1	2215410R2

U004	Q4640	TR	RN1441	1	2215410R2
U004	Q4641	TR	RN1441	1	2215410R2
U004	[CAPACITOR]				
U004	C4503	UPZ C	2AUPZTF221JE	1	376332214T
U004	C4504	UPZ C	2AUPZTF221JE	1	376332214T
U004	C4505	C-CERA C	CC725CH1H-221J1	1	342102214R1
U004	C4506	C-CERA C	CC725CH1H-221J1	1	342102214R1
U004	C4507	C-CERA C	CC725CH1H-221J1	1	342102214R1
U004	C4508	C-CERA C	CC725CH1H-221J1	1	342102214R1
U004	C4509	C-CERA C	CC725CH1H-221J1	1	342102214R1
U004	C4510	C-CERA C	CC725CH1H-221J1	1	342102214R1
U004	C4511	C-CERA C	CC725CH1H-221J1	1	342102214R1
U004	C4512	C-CERA C	CC725CH1H-221J1	1	342102214R1
U004	C4513	C-CERA C	CC725CH1H-221J1	1	342102214R1
U004	C4514	C-CERA C	CC725CH1H-221J1	1	342102214R1
U004	C4515	UPZ C	2AUPZTF221JE	1	376332214T
U004	C4516	UPZ C	2AUPZTF221JE	1	376332214T
U004	C4517	C-CERA C	CC725CH1H-221J1	1	342102214R1
U004	C4518	UPZ C	2AUPZTF221JE	1	376332214T
U004	C4519	C-CERA C	CC725CH1H-221J1	1	342102214R1
U004	C4520	C-CERA C	CC725CH1H-221J1	1	342102214R1
U004	C4521	C-CERA C	CC725CH1H-221J1	1	342102214R1
U004	C4522	C-CERA C	CC725CH1H-221J1	1	342102214R1
U004	C4523	UTSP C	CE04W25V-220M(UTSP)	1	397552217T
U004	C4524	UTSP C	CE04W25V-220M(UTSP)	1	397552217T
U004	C4525	UTSP C	CE04W50V 47M(UTSP)	1	397584707T
U004	C4526	UTSP C	CE04W50V 47M(UTSP)	1	397584707T
U004	C4530	C-CERA C	CC725CH1H-331J1	1	342103314R1
U004	C4531	C-CERA C	CC725CH1H-331J1	1	342103314R1
U004	C4532	C-CERA C	CC725CH1H-331J1	1	342103314R1
U004	C4533	C-CERA C	CC725CH1H-331J1	1	342103314R1
U004	C4534	C-CERA C	CC725CH1H-331J1	1	342103314R1
U004	C4535	C-CERA C	CC725CH1H-331J1	1	342103314R1
U004	C4536	C-CERA C	CC725CH1H-221J1	1	342102214R1
U004	C4537	C-CERA C	CC725CH1H-221J1	1	342102214R1
U004	C4540	C-CERA C	CC725CH1H-221J1	1	342102214R1
U004	C4541	C-CERA C	CC725CH1H-221J1	1	342102214R1
U004	C4550	C-CERA C	CC725CH1H-221J1	1	342102214R1
U004	C4551	C-CERA C	CC725CH1H-221J1	1	342102214R1

U004	C4570	UTSP C	CE04W50V 47M(UTSP)	1	397584707T
U004	C4571	UTSP C	CE04W50V 47M(UTSP)	1	397584707T
U004	C4572	UTSP C	CE04W50V 47M(UTSP)	1	397584707T
U004	C4573	UTSP C	CE04W50V 47M(UTSP)	1	397584707T
U004	C4574	UTSP C	CE04W50V 47M(UTSP)	1	397584707T
U004	C4575	UTSP C	CE04W50V 47M(UTSP)	1	397584707T
U004	C4576	UTSP C	CE04W50V 47M(UTSP)	1	397584707T
U004	C4577	UTSP C	CE04W50V 47M(UTSP)	1	397584707T
U004	C4600	UTSP C	CE04W50V 47M(UTSP)	1	397584707T
U004	C4601	UTSP C	CE04W50V 47M(UTSP)	1	397584707T
U004	C4602	UTSP C	CE04W50V 47M(UTSP)	1	397584707T
U004	C4603	UTSP C	CE04W50V 47M(UTSP)	1	397584707T
U004	C4604	UTSP C	CE04W50V 47M(UTSP)	1	397584707T
U004	C4605	UTSP C	CE04W50V 47M(UTSP)	1	397584707T
U004	C4606	UTSP C	CE04W50V-22M(UTSP)	1	397582207T
U004	C4607	UTSP C	CE04W50V 47M(UTSP)	1	397584707T
U004	C4610	UTSP C	CE04W50V 47M(UTSP)	1	397584707T
U004	C4611	UTSP C	CE04W50V 47M(UTSP)	1	397584707T
U004	C4612	UTSP C	CE04W50V 47M(UTSP)	1	397584707T
U004	C4613	UTSP C	CE04W50V 47M(UTSP)	1	397584707T
U004	C4614	UTSP C	CE04W50V 47M(UTSP)	1	397584707T
U004	C4615	UTSP C	CE04W50V 47M(UTSP)	1	397584707T
U004	C4620	UTSP C	CE04W50V 47M(UTSP)	1	397584707T
U004	C4621	UTSP C	CE04W50V 47M(UTSP)	1	397584707T
U004	C4630	UTSP C	CE04W50V 47M(UTSP)	1	397584707T
U004	C4631	UTSP C	CE04W50V 47M(UTSP)	1	397584707T
U004	C4675	UTSP C	CE04W10V-220M(UTSP)	1	397532217T
U004	C4726	C-CERA C	CC725CH1H-471J1	1	342104714R1
U004	C4736	C-CERA C	CC725CH1H-471J1	1	342104714R1
U004	C4740	C-CERA C	CC725CH1H-102J1	1	342101024R1
U004	C4741	UTSP C	CE04W25V-47M(UTSP)	1	397554707T
U004	C4742	UTSP C	CE04W10V-220M(UTSP)	1	397532217T
U004	C4743	C-CERA C	CK725B1H-152K1	1	332101525R1
U004	C4744	TF C	ECQ-V50V-123J	1	374721234T
U004	C4745	MKT C	B32529C0332J289	1	376493324T
U004	C4746	C-CERA C	CC725CH1H-151J1	1	342101514R1
U004	C4747	UTSP C	CE04W10V-220M(UTSP)	1	397532217T
U004	C4748	C-CERA C	CC725CH1H-101J1	1	342101014R1
U004	C4749	UTSP C	CE04W50V-10M(UTSP)	1	397581007T

U004	C4750	C-CERA C	CC725CH1H-102J1	1	342101024R1
U004	C4751	UTSP C	CE04W25V-47M(UTSP)	1	397554707T
U004	C4752	UTSP C	CE04W10V-220M(UTSP)	1	397532217T
U004	C4753	C-CERA C	CK725B1H-152K1	1	332101525R1
U004	C4754	TF C	ECQ-V50V-123J	1	374721234T
U004	C4755	MKT C	B32529C0332J289	1	376493324T
U004	C4756	C-CERA C	CC725CH1H-151J1	1	342101514R1
U004	C4758	C-CERA C	CC725CH1H-101J1	1	342101014R1
U004	C4759	UTSP C	CE04W50V-10M(UTSP)	1	397581007T
U004	C4760	UTSP C	CE04W25V-47M(UTSP)	1	397554707T
U004	C4761	C-CERA C	CC725CH1H-221J1	1	342102214R1
U004	C4762	TF C	ECQ-V50V-103J	1	374721034T
U004	C4763	C-CERA C	CK725F1E-104Z1	1	332161040R1
U004	C4764	C-CERA C	CK725F1E-104Z1	1	332161040R1
U004	C4770	C-CERA C	CC725CH1H-101J1	1	342101014R1
U004	C4771	UTSP C	CE04W10V-220M(UTSP)	1	397532217T
U004	C4780	C-CERA C	CC725CH1H-101J1	1	342101014R1
U004	C4781	UTSP C	CE04W10V-220M(UTSP)	1	397532217T
U004	C4796	UTSP C	CE04W25V-47M(UTSP)	1	397554707T
U004	C4800	C-CERA C	CC725CH1H-102J1	1	342101024R1
U004	C4802	C-CERA C	CC725CH1H-102J1	1	342101024R1
U004	C4803	C-CERA C	CC725CH1H-102J1	1	342101024R1
U004	C4804	C-CERA C	CC725CH1H-102J1	1	342101024R1
U004	C4805	C-CERA C	CC725CH1H-102J1	1	342101024R1
U004	C4806	C-CERA C	CC725CH1H-102J1	1	342101024R1
U004	C4807	C-CERA C	CC725CH1H-102J1	1	342101024R1
U004	C4808	C-CERA C	CC725CH1H-102J1	1	342101024R1
U004	C4809	C-CERA C	CC725CH1H-102J1	1	342101024R1
U004	C4810	TF C	ECQ-V50V-224J	1	374722244T
U004	C4811	TF C	ECQ-V50V-473J	1	374724734T
U004	C4812	TF C	ECQ-V50V-223J	1	374722234T
U004	C4813	TF C	ECQ-V50V-224J	1	374722244T
U004	C4814	TF C	ECQ-V50V-473J	1	374724734T
U004	C4815	TF C	ECQ-V50V-223J	1	374722234T
U004	C4833	UTSP C	CE04W50V-10M(UTSP)	1	397581007T
U004	C4834	UTSP C	CE04W50V-10M(UTSP)	1	397581007T
U004	C4840	TF C	ECQ-V50V-104J	1	374721044T
U004	C4900	VR C	CE04W35V-470M(VR)	1	394664717T
U004	C4901	UTSP C	CE04W50V-22M(UTSP)	1	397582207T

U004	C4902	UTSP C	CE04W25V-220M(UTSP)	1	397552217T
U004	C4903	UTSP C	CE04W25V-220M(UTSP)	1	397552217T
U004	C4904	UTSP C	CE04W25V-470M(UTSP)	1	397554717T
U004	C4905	UTSP C	CE04W25V-220M(UTSP)	1	397552217T
U004	C4910	VR C	CE04W35V-470M(VR)	1	394664717T
U004	C4911	UTSP C	CE04W50V-22M(UTSP)	1	397582207T
U004	C4912	UTSP C	CE04W25V-220M(UTSP)	1	397552217T
U004	C4913	UTSP C	CE04W25V-220M(UTSP)	1	397552217T
U004	C4914	UTSP C	CE04W10V-470M(UTSP)	1	397534717T
U004	C4915	UTSP C	CE04W25V-220M(UTSP)	1	397552217T
U004	[RESISTOR]				
U004	R4503	C-CARBON R	RN72K1J-331JE	1	435033314R1
U004	R4504	C-CARBON R	RN72K1J-331JE	1	435033314R1
U004	R4505	C-CARBON R	RN72K1J-331JE	1	435033314R1
U004	R4506	C-CARBON R	RN72K1J-331JE	1	435033314R1
U004	R4507	C-CARBON R	RN72K1J-331JE	1	435033314R1
U004	R4508	C-CARBON R	RN72K1J-331JE	1	435033314R1
U004	R4509	C-CARBON R	RN72K1J-331JE	1	435033314R1
U004	R4510	C-CARBON R	RN72K1J-331JE	1	435033314R1
U004	R4511	C-CARBON R	RN72K1J-331JE	1	435033314R1
U004	R4512	C-CARBON R	RN72K1J-331JE	1	435033314R1
U004	R4513	C-CARBON R	RN72K1J-331JE	1	435033314R1
U004	R4514	C-CARBON R	RN72K1J-331JE	1	435033314R1
U004	R4515	C-CARBON R	RN72K1J-331JE	1	435033314R1
U004	R4516	C-CARBON R	RN72K1J-331JE	1	435033314R1
U004	R4517	C-CARBON R	RN72K1J-331JE	1	435033314R1
U004	R4518	C-CARBON R	RN72K1J-331JE	1	435033314R1
U004	R4519	C-CARBON R	RN72K1J-331JE	1	435033314R1
U004	R4520	C-CARBON R	RN72K1J-331JE	1	435033314R1
U004	R4521	C-CARBON R	RN72K1J-331JE	1	435033314R1
U004	R4522	C-CARBON R	RN72K1J-331JE	1	435033314R1
U004	R4523	METAL O R	RS1/2WBJ-22	1	443522204T
U004	R4524	METAL O R	RS1/2WBJ-22	1	443522204T
U004	R4526	C-CARBON R	RN72K1J-101JE	1	435031014R1
U004	R4533	C-CARBON R	RN72K1J-224JE	1	435032244R1
U004	R4534	C-CARBON R	RN72K1J-224JE	1	435032244R1
U004	R4535	C-CARBON R	RN72K1J-224JE	1	435032244R1
U004	R4536	C-CARBON R	RN72K1J-224JE	1	435032244R1
U004	R4537	C-CARBON R	RN72K1J-224JE	1	435032244R1

U004	R4538	C-CARBON R	RN72K1J-224JE	1	435032244R1
U004	R4539	C-CARBON R	RN72K1J-224JE	1	435032244R1
U004	R4540	C-CARBON R	RN72K1J-224JE	1	435032244R1
U004	R4541	C-CARBON R	RN72K1J-224JE	1	435032244R1
U004	R4542	C-CARBON R	RN72K1J-224JE	1	435032244R1
U004	R4543	C-CARBON R	RN72K1J-224JE	1	435032244R1
U004	R4544	C-CARBON R	RN72K1J-224JE	1	435032244R1
U004	R4545	C-CARBON R	RN72K1J-224JE	1	435032244R1
U004	R4546	C-CARBON R	RN72K1J-224JE	1	435032244R1
U004	R4547	C-CARBON R	RN72K1J-224JE	1	435032244R1
U004	R4548	C-CARBON R	RN72K1J-224JE	1	435032244R1
U004	R4549	C-CARBON R	RN72K1J-224JE	1	435032244R1
U004	R4550	C-CARBON R	RN72K1J-224JE	1	435032244R1
U004	R4551	C-CARBON R	RN72K1J-224JE	1	435032244R1
U004	R4552	C-CARBON R	RN72K1J-224JE	1	435032244R1
U004	R4560	C-CARBON R	RN72K1J-224JE	1	435032244R1
U004	R4561	C-CARBON R	RN72K1J-224JE	1	435032244R1
U004	R4562	C-CARBON R	RN72K1J-224JE	1	435032244R1
U004	R4563	C-CARBON R	RN72K1J-224JE	1	435032244R1
U004	R4564	C-CARBON R	RN72K1J-224JE	1	435032244R1
U004	R4565	C-CARBON R	RN72K1J-224JE	1	435032244R1
U004	R4566	C-CARBON R	RN72K1J-223JE	1	435032234R1
U004	R4567	C-CARBON R	RN72K1J-224JE	1	435032244R1
U004	R4570	C-CARBON R	RN72K1J-470JE	1	435034704R1
U004	R4571	C-CARBON R	RN72K1J-470JE	1	435034704R1
U004	R4572	C-CARBON R	RN72K1J-470JE	1	435034704R1
U004	R4573	C-CARBON R	RN72K1J-470JE	1	435034704R1
U004	R4574	C-CARBON R	RN72K1J-470JE	1	435034704R1
U004	R4575	C-CARBON R	RN72K1J-470JE	1	435034704R1
U004	R4576	C-CARBON R	RN72K1J-101JE	1	435031014R1
U004	R4577	C-CARBON R	RN72K1J-101JE	1	435031014R1
U004	R4580	C-CARBON R	RN72K1J-224JE	1	435032244R1
U004	R4581	C-CARBON R	RN72K1J-224JE	1	435032244R1
U004	R4590	C-CARBON R	RN72K1J-101JE	1	435031014R1
U004	R4591	C-CARBON R	RN72K1J-101JE	1	435031014R1
U004	R4600	C-CARBON R	RN72K1J-224JE	1	435032244R1
U004	R4601	C-CARBON R	RN72K1J-224JE	1	435032244R1
U004	R4610	C-CARBON R	RN72K1J-101JE	1	435031014R1
U004	R4611	C-CARBON R	RN72K1J-101JE	1	435031014R1

U004	R4620	C-CARBON R	RN72K1J-224JE	1	435032244R1
U004	R4621	C-CARBON R	RN72K1J-224JE	1	435032244R1
U004	R4622	C-CARBON R	RN72K1J-224JE	1	435032244R1
U004	R4623	C-CARBON R	RN72K1J-224JE	1	435032244R1
U004	R4624	C-CARBON R	RN72K1J-224JE	1	435032244R1
U004	R4625	C-CARBON R	RN72K1J-224JE	1	435032244R1
U004	R4626	C-CARBON R	RN72K1J-223JE	1	435032234R1
U004	R4627	C-CARBON R	RN72K1J-224JE	1	435032244R1
U004	R4630	C-CARBON R	RN72K1J-121JE	1	435031214R1
U004	R4631	C-CARBON R	RN72K1J-121JE	1	435031214R1
U004	R4632	C-CARBON R	RN72K1J-121JE	1	435031214R1
U004	R4633	C-CARBON R	RN72K1J-121JE	1	435031214R1
U004	R4634	C-CARBON R	RN72K1J-121JE	1	435031214R1
U004	R4635	C-CARBON R	RN72K1J-121JE	1	435031214R1
U004	R4636	C-CARBON R	RN72K1J-121JE	1	435031214R1
U004	R4637	C-CARBON R	RN72K1J-121JE	1	435031214R1
U004	R4640	C-CARBON R	RN72K1J-101JE	1	435031014R1
U004	R4641	C-CARBON R	RN72K1J-101JE	1	435031014R1
U004	R4642	C-CARBON R	RN72K1J-101JE	1	435031014R1
U004	R4643	C-CARBON R	RN72K1J-101JE	1	435031014R1
U004	R4644	C-CARBON R	RN72K1J-101JE	1	435031014R1
U004	R4645	C-CARBON R	RN72K1J-101JE	1	435031014R1
U004	R4646	C-CARBON R	RN72K1J-101JE	1	435031014R1
U004	R4647	C-CARBON R	RN72K1J-101JE	1	435031014R1
U004	R4650	C-CARBON R	RN72K1J-224JE	1	435032244R1
U004	R4651	C-CARBON R	RN72K1J-224JE	1	435032244R1
U004	R4652	C-CARBON R	RN72K1J-224JE	1	435032244R1
U004	R4653	C-CARBON R	RN72K1J-224JE	1	435032244R1
U004	R4654	C-CARBON R	RN72K1J-224JE	1	435032244R1
U004	R4655	C-CARBON R	RN72K1J-224JE	1	435032244R1
U004	R4660	C-CARBON R	RN72K1J-221JE	1	435032214R1
U004	R4661	C-CARBON R	RN72K1J-221JE	1	435032214R1
U004	R4662	C-CARBON R	RN72K1J-221JE	1	435032214R1
U004	R4663	C-CARBON R	RN72K1J-221JE	1	435032214R1
U004	R4664	C-CARBON R	RN72K1J-221JE	1	435032214R1
U004	R4665	C-CARBON R	RN72K1J-221JE	1	435032214R1
U004	R4670	C-CARBON R	RN72K1J-224JE	1	435032244R1
U004	R4671	C-CARBON R	RN72K1J-224JE	1	435032244R1
U004	R4680	C-CARBON R	RN72K1J-102JE	1	435031024R1

U004	R4681	C-CARBON R	RN72K1J-102JE	1	435031024R1
U004	R4700	C-CARBON R	RN72K1J-101JE	1	435031014R1
U004	R4701	C-CARBON R	RN72K1J-101JE	1	435031014R1
U004	R4710	C-CARBON R	RN72K1J-224JE	1	435032244R1
U004	R4711	C-CARBON R	RN72K1J-224JE	1	435032244R1
U004	R4720	C-CARBON R	RN72K1J-102JE	1	435031024R1
U004	R4721	C-CARBON R	RN72K1J-102JE	1	435031024R1
U004	R4730	C-CARBON R	RN72K1J-101JE	1	435031014R1
U004	R4731	C-CARBON R	RN72K1J-101JE	1	435031014R1
U004	R4740	C-CARBON R	RN72K1J-331JE	1	435033314R1
U004	R4741	C-CARBON R	RN72K1J-563JE	1	435035634R1
U004	R4742	C-CARBON R	RN72K1J-474JE	1	435034744R1
U004	R4743	C-CARBON R	RN72K1J-561JE	1	435035614R1
U004	R4744	C-CARBON R	RN72K1J-274JE	1	435032744R1
U004	R4745	C-CARBON R	RN72K1J-223JE	1	435032234R1
U004	R4746	C-CARBON R	RN72K1J-122JE	1	435031224R1
U004	R4747	C-CARBON R	RN72K1J-101JE	1	435031014R1
U004	R4748	C-CARBON R	RN72K1J-224JE	1	435032244R1
U004	R4749	C-CARBON R	RN72K1J-220JE	1	435032204R1
U004	R4750	C-CARBON R	RN72K1J-331JE	1	435033314R1
U004	R4751	C-CARBON R	RN72K1J-563JE	1	435035634R1
U004	R4752	C-CARBON R	RN72K1J-474JE	1	435034744R1
U004	R4753	C-CARBON R	RN72K1J-561JE	1	435035614R1
U004	R4754	C-CARBON R	RN72K1J-274JE	1	435032744R1
U004	R4755	C-CARBON R	RN72K1J-223JE	1	435032234R1
U004	R4756	C-CARBON R	RN72K1J-122JE	1	435031224R1
U004	R4757	C-CARBON R	RN72K1J-101JE	1	435031014R1
U004	R4758	C-CARBON R	RN72K1J-224JE	1	435032244R1
U004	R4759	C-CARBON R	RN72K1J-220JE	1	435032204R1
U004	R4760	C-CARBON R	RN72K1J-221JE	1	435032214R1
U004	R4761	C-CARBON R	RN72K1J-473JE	1	435034734R1
U004	R4762	C-CARBON R	RN72K1J-681JE	1	435036814R1
U004	R4763	C-CARBON R	RN72K1J-392JE	1	435033924R1
U004	R4764	C-CARBON R	RN72K1J-682JE	1	435036824R1
U004	R4765	C-CARBON R	RN72K1J-152JE	1	435031524R1
U004	R4770	C-CARBON R	RN72K1J-223JE	1	435032234R1
U004	R4771	C-CARBON R	RN72K1J-222JE	1	435032224R1
U004	R4772	C-CARBON R	RN72K1J-681JE	1	435036814R1
U004	R4773	C-CARBON R	RN72K1J-123JE	1	435031234R1

U004	R4774	C-CARBON R	RN72K1J-103JE	1	435031034R1
U004	R4775	C-CARBON R	RN72K1J-220JE	1	435032204R1
U004	R4780	C-CARBON R	RN72K1J-223JE	1	435032234R1
U004	R4781	C-CARBON R	RN72K1J-222JE	1	435032224R1
U004	R4782	C-CARBON R	RN72K1J-681JE	1	435036814R1
U004	R4783	C-CARBON R	RN72K1J-123JE	1	435031234R1
U004	R4784	C-CARBON R	RN72K1J-103JE	1	435031034R1
U004	R4785	C-CARBON R	RN72K1J-220JE	1	435032204R1
U004	R4796	C-CARBON R	RN72K1J-101JE	1	435031014R1
U004	R4797	C-CARBON R	RN72K1J-101JE	1	435031014R1
U004	R4798	C-CARBON R	RN72K1J-101JE	1	435031014R1
U004	R4799	C-CARBON R	RN72K1J-101JE	1	435031014R1
U004	R4802	C-CARBON R	RN72K1J-000JE	1	435030004R1
U004	R4803	C-CARBON R	RN72K1J-472JE	1	435034724R1
U004	R4805	C-CARBON R	RN72K1J-000JE	1	435030004R1
U004	R4810	C-CARBON R	RN72K1J-472JE	1	435034724R1
U004	R4820	C-CARBON R	RN72K1J-104JE	1	435031044R1
U004	R4821	C-CARBON R	RN72K1J-104JE	1	435031044R1
U004	R4822	C-CARBON R	RN72K1J-104JE	1	435031044R1
U004	R4823	C-CARBON R	RN72K1J-104JE	1	435031044R1
U004	R4825	C-CARBON R	RN72K1J-224JE	1	435032244R1
U004	R4826	C-CARBON R	RN72K1J-224JE	1	435032244R1
U004	R4827	C-CARBON R	RN72K1J-224JE	1	435032244R1
U004	R4829	C-CARBON R	RN72K1J-224JE	1	435032244R1
U004	R4830	C-CARBON R	RN72K1J-224JE	1	435032244R1
U004	R4831	C-CARBON R	RN72K1J-224JE	1	435032244R1
U004	R4832	C-CARBON R	RN72K1J-224JE	1	435032244R1
U004	R4839	C-CARBON R	RN72K1J-222JE	1	435032224R1
U004	R4840	C-CARBON R	RN72K1J-224JE	1	435032244R1
U004	R4841	C-CARBON R	RN72K1J-224JE	1	435032244R1
U004	R4842	C-CARBON R	RN72K1J-224JE	1	435032244R1
U004	R4843	C-CARBON R	RN72K1J-000JE	1	435030004R1
U004	R4845	C-CARBON R	RN72K1J-224JE	1	435032244R1
U004	R4846	C-CARBON R	RN72K1J-224JE	1	435032244R1
U004	R4847	C-CARBON R	RN72K1J-224JE	1	435032244R1
U004	R4849	C-CARBON R	RN72K1J-224JE	1	435032244R1
U004	R4850	C-CARBON R	RN72K1J-224JE	1	435032244R1
U004	R4851	C-CARBON R	RN72K1J-224JE	1	435032244R1
U004	R4853	C-CARBON R	RN72K1J-000JE	1	435030004R1

U004	R4854	C-CARBON R	RN72K1J-000JE	1	435030004R1
U004	R4900	METAL O R	RS1WBJ-22	1	443622204T
U004	R4901	METAL O R	RS1/2WBJ-330	1	443523314T
U004	R4902	C-CARBON R	RN72K2E-221JE	1	435222214R1
U004	R4910	METAL O R	RS1WBJ-22	1	443622204T
U004	R4911	METAL O R	RS1/2WBJ-330	1	443523314T
U004	R4912	C-CARBON R	RN72K2E-221JE	1	435222214R1
U004	R4921	C-CARBON R	RN72K1J-104JE	1	435031044R1
U004	R4924	C-CARBON R	RN72K1J-104JE	1	435031044R1
U004	R8030	C-CARBON R	RN72K1J-105JE	1	435031054R1
U004	R8031	C-CARBON R	RN72K1J-105JE	1	435031054R1
U004	R8032	C-CARBON R	RN72K1J-105JE	1	435031054R1
U004	R8033	C-CARBON R	RN72K1J-105JE	1	435031054R1
U004	[SW TRM]				
U004	E4520	TRM-423(SCREW)	NEJITANSI ST3	1	25060495
U004	E4521	RETAINER	MET37-0002	1	27142009T
U004	JL104A	WIRE HOL	NSCT-9P880	1	25051093
U004	JL4518A	WIRE HOL	NSCT-5P876	1	25051089
U004	JL9925B	WIRE TRAP	NPLG-5P588	1	25055626
U004	P4500	PIN JACK	NPJ-2PDWR558	1	25045776
U004	P4500 or	PIN JACK	NPJ-2PDBL185	(1)	25045333
U004	P4501	PIN JACK	NPJ-6PDWWWRRR561	1	25045779
U004	P4501 or	PIN JACK	NPJ-6PDBL159	(1)	25045300
U004	P4502	PIN JACK	NPJ-6PDWWWRRR561	1	25045779
U004	P4502 or	PIN JACK	NPJ-6PDBL159	(1)	25045300
U004	P4503	PIN JACK	NPJ-4PDGPRW661	1	25045890
U004	P4504	PIN JACK	NPJ-4PDELNT662	1	25045891
U004	P4505	PIN JACK	NPJ-2PDWR558	1	25045776
U004	P4506	PIN JACK	NPJ-1PDG713	1	25045950
U004	P4507	PIN JACK	NPJ-6PDLENTP701	1	25045935
U004	P4508	PIN JACK	NPJ-4PDWWWRR624	1	25045845
U004	P4508 or	PIN JACK	NPJ-4PDBL162	(1)	25045303
U004	P4510A	PLUG	IMSA-9142B-20A	1	25056600
U004	P4511A	SOCKET	NSCT-19P2199	1	25052302
U004	P4512B	CRIMP AS	CRIMP SR805_2	1	20799170UL
U004	P4513	CRIMP AS	CRIMP AS	1	2069925120UL
U004	P4517B	PLUG	S16B-PH-K-S	1	25056667
U004	P4519	HOLDER	HOLDER(CLAMP)	1	27190540-1
U004	P4520	HOLDER	HOLDER(CLAMP)	1	27190540-1

U004	P8000	SOCKET	MDS-15P-V02(DSUB15)	1	25053362	
U004	P8002	SOCKET	NSCT-11P2402	1	25052505	
U004	Q4551A	SCREW	3P+10FN(3BC)	1	82143010GR	
U004	Q4551B	HEAT SINK	RAD-177	1	27160517	
U004	Q4561A	SCREW	3P+10FN(3BC)	1	82143010GR	
U005	U005	U0050 + U0051 + U0052 +U0053				
U005	U0050	DIR / DAC board ass'y	BADG-0462-2J/ 2K			
U005	U0051	Main microprocessor board ass'y	BACPU-0463-2J/ 2K			
U005	U0052	Video board ass'y	BAVD-0464-2J/ 2K			
U005	U0053	Universal port board ass'y	BAETC-0466-2J/ 2K			
U005						
U005	CIRCUIT NO.	PART NAME	DESCRIPTION	Q'TY	PART NO. (SN)	REMARKS
U005	[SEMI CONDUCTOR]					
U005	D2001	C-DIODE	KDS4148U	1	223283R2	
U005	D2001 or	C-DIODE	1SS352	(1)	223234R2	
U005	D2001 or	C-DIODE	MA2J111	(1)	223279R2	
U005	D2002	C-DIODE	KDS4148U	1	223283R2	
U005	D2002 or	C-DIODE	1SS352	(1)	223234R2	
U005	D2002 or	C-DIODE	MA2J111	(1)	223279R2	
U005	D2003	C-DIODE	KDS4148U	1	223283R2	
U005	D2003 or	C-DIODE	1SS352	(1)	223234R2	
U005	D2003 or	C-DIODE	MA2J111	(1)	223279R2	
U005	D2004	ZENER D	UDZS5.6B	1	224550560R2	
U005	D2004 or	ZENER D	MAZ8056-M	(1)	224750562R2	
U005	D2006	DIODE	XBS303V17R	1	22380365R2	
U005	D2007	DIODE	RL1N4003	1	22380260T	
U005	D2008	DIODE	RL1N4003	1	22380260T	
U005	D2021	DIODE	D5SBA60	1	22380070	
U005	D2022	DIODE	RBV402	1	22380022F	
U005	D2022 or	DIODE	D3SBA60	(1)	22380272F	
U005	D2100	DIODE	RL1N4003	1	22380260T	
U005	D2107	SPCF D	SIR-34ST3F	1	225456	
U005	D2108	C-DIODE	KDS4148U	1	223283R2	
U005	D2108 or	C-DIODE	1SS352	(1)	223234R2	
U005	D2108 or	C-DIODE	MA2J111	(1)	223279R2	
U005	D2109	C-DIODE	KDS4148U	1	223283R2	
U005	D2109 or	C-DIODE	1SS352	(1)	223234R2	
U005	D2109 or	C-DIODE	MA2J111	(1)	223279R2	

U005	D2110	C-DIODE	KDS4148U	1	223283R2	
U005	D2110 or	C-DIODE	1SS352	(1)	223234R2	
U005	D2110 or	C-DIODE	MA2J111	(1)	223279R2	
U005	D2111	C-DIODE	KDS4148U	1	223283R2	
U005	D2111 or	C-DIODE	1SS352	(1)	223234R2	
U005	D2111 or	C-DIODE	MA2J111	(1)	223279R2	
U005	D7000	C-DIODE	KDS4148U	1	223283R2	
U005	D7000 or	C-DIODE	1SS352	(1)	223234R2	
U005	D7000 or	C-DIODE	MA2J111	(1)	223279R2	
U005	D7001	C-DIODE	KDS4148U	1	223283R2	
U005	D7001 or	C-DIODE	1SS352	(1)	223234R2	
U005	D7001 or	C-DIODE	MA2J111	(1)	223279R2	
U005	D7002	C-DIODE	KDS4148U	1	223283R2	
U005	D7002 or	C-DIODE	1SS352	(1)	223234R2	
U005	D7002 or	C-DIODE	MA2J111	(1)	223279R2	
U005	D7003	C-DIODE	KDS4148U	1	223283R2	
U005	D7003 or	C-DIODE	1SS352	(1)	223234R2	
U005	D7003 or	C-DIODE	MA2J111	(1)	223279R2	
U005	Q1001	IC	CY2305ESXC-1T	1	22242638R2	
U005	Q101	IC	LC72725KV-TLM-E	1	22242584R2	<MMA, MMB, MMP, MMQ, MMR>
U005	Q102	IC	S-812C33AUA-C2N	1	22242222R2	<MMA, MMB, MMP, MMQ, MMR>
U005	Q1301	IC	TA4805BF(TE16L_NQ)	1	22278005DBR2TO	
U005	Q1302	IC	NJM2855DL1-33	1	22278033QR2JR	
U005	Q1303	IC	TA4805BF(TE16L_NQ)	1	22278005DBR2TO	
U005	Q1311	IC	PCM9211PTR	1	22242703R2	N
U005	Q1322	IC	CS5361-KZZR	1	22242646R2	
U005	Q1325	IC	74HCU04F	1	222740046R2	
U005	Q1421	IC	PCM1690DCAR	1	22242599R2	
U005	Q1601	IC	NJM4580M-D	1	22241448R2	
U005	Q1602	IC	NJM4580M-D	1	22241448R2	
U005	Q1603	IC	NJM4580M-D	1	22241448R2	
U005	Q1604	IC	NJM4580M-D	1	22241448R2	
U005	Q1800	IC	NJM4580M-D	1	22241448R2	
U005	Q1801	IC	NJM4580M-D	1	22241448R2	
U005	Q2	IC	78M09HF(NJM78M09DL1A)	1	222780095R2JR	
U005	Q2004	IC	MP2363DN-LF-Z	1	22242627R2	
U005	Q2108	IC	ICL3221ECVZ	1	22242268R2	
U005	Q2109	IC	NJW1325	1	22242596R3	
U005	Q2113	TR	2SA854S-R	1	2217394T	

U005	Q2114	TR	KRC102S	1	2216190R2
U005	Q2114 or	TR	RN1402	(1)	2214470R2
U005	Q2115	TR	2SA1162-GR	1	2214375R2
U005	Q2116	TR	KRC102S	1	2216190R2
U005	Q2116 or	TR	RN1402	(1)	2214470R2
U005	Q7000	TR	KRC104S	1	2216210R2
U005	Q7000 or	TR	RN1404	(1)	2214490R2
U005	Q7001	TR	KRA102S	1	2216220R2
U005	Q7001 or	TR	RN2402	(1)	2214530R2
U005	Q7003	TR	KRC104S	1	2216210R2
U005	Q7003 or	TR	RN1404	(1)	2214490R2
U005	Q7004	TR	KRA102S	1	2216220R2
U005	Q7004 or	TR	RN2402	(1)	2214530R2
U005	Q7005	TR	KRC102S	1	2216190R2
U005	Q7005 or	TR	RN1402	(1)	2214470R2
U005	Q7006	TR	KRA107S	1	2216350R2
U005	Q7006 or	TR	RN2407(TE85L_F)	(1)	2216360R2
U005	Q7008	TR	KRC102S	1	2216190R2
U005	Q7008 or	TR	RN1402	(1)	2214470R2
U005	Q7009	TR	KRA107S	1	2216350R2
U005	Q7009 or	TR	RN2407(TE85L_F)	(1)	2216360R2
U005	Q7011	TR	KRC104S	1	2216210R2
U005	Q7011 or	TR	RN1404	(1)	2214490R2
U005	Q7012	TR	KRA102S	1	2216220R2
U005	Q7012 or	TR	RN2402	(1)	2214530R2
U005	Q7013	TR	KRC102S	1	2216190R2
U005	Q7013 or	TR	RN1402	(1)	2214470R2
U005	Q7014	TR	KRC104S	1	2216210R2
U005	Q7014 or	TR	RN1404	(1)	2214490R2
U005	Q7015	TR	KRA102S	1	2216220R2
U005	Q7015 or	TR	RN2402	(1)	2214530R2
U005	Q7016	TR	KRC104S	1	2216210R2
U005	Q7016 or	TR	RN1404	(1)	2214490R2
U005	Q7017	TR	KRA102S	1	2216220R2
U005	Q7017 or	TR	RN2402	(1)	2214530R2
U005	Q7018	TR	KRC104S	1	2216210R2
U005	Q7018 or	TR	RN1404	(1)	2214490R2
U005	Q7019	TR	KRA102S	1	2216220R2
U005	Q7019 or	TR	RN2402	(1)	2214530R2

U005	Q7020	IC(MAIN MICROPROCESSOR)	MPD70F3746GJ-GAE-AX(0424)	1	222W0079R304240
U005	Q7021	TR	KRC104S	1	2216210R2
U005	Q7021 or	TR	RN1404	(1)	2214490R2
U005	Q7022	TR	KRA102S	1	2216220R2
U005	Q7022 or	TR	RN2402	(1)	2214530R2
U005	Q7023	IC	XC6202P502FR	1	22242331R2
U005	Q7024	TR	KRC104S	1	2216210R2
U005	Q7024 or	TR	RN1404	(1)	2214490R2
U005	Q7025	TR	KRA102S	1	2216220R2
U005	Q7025 or	TR	RN2402	(1)	2214530R2
U005	Q7026	IC	XC6213B332MR	1	22242277R2
U005	Q7027	TR	KRC104S	1	2216210R2
U005	Q7027 or	TR	RN1404	(1)	2214490R2
U005	Q7028	TR	KRA102S	1	2216220R2
U005	Q7028 or	TR	RN2402	(1)	2214530R2
U005	Q7029	IC	S-812C33AUA-C2N	1	22242222R2
U005	Q7030	TR	KRC104S	1	2216210R2
U005	Q7030 or	TR	RN1404	(1)	2214490R2
U005	Q7031	TR	KRA102S	1	2216220R2
U005	Q7031 or	TR	RN2402	(1)	2214530R2
U005	Q7032	IC	S-812C56AUA-C3K	1	22242207R2
U005	Q7033	IC	R1EX25064ASA00A	1	22242581R2
U005	Q7034	IC	NJU7706F27A3	1	22242614R2
U005	Q7035	TR	2SC2712-GR	1	2213145R2
U005	Q7036	IC	S3F80K9	1	22242602R3
U005	Q7900	IC	NJM4580M-D	1	22241448R2
U005	Q7903	IC	NJM2505AF	1	22242490R2
U005	Q7903 or	IC	BH7673G-TR	(1)	22242661R2
U005	Q7904	IC	XC6202P502FR	1	22242331R2
U005	Q9	IC	NJM4580M-D	1	22241448R2
U005	[TRANS COIL]				
U005	L1002	CORE	MMZ1608Y601BT	1	2350004R1
U005	L1100	CHOKE COIL	LBC2518T4R7M	1	231364M047R2
U005	L1101	CHOKE COIL	LBC2518T4R7M	1	231364M047R2
U005	L1102	CHOKE COIL	LBC2518T4R7M	1	231364M047R2
U005	L1110	EMIFIL	BK1608LM182-T	1	230958R1
U005	L1111	CORE	MMZ1608Y601BT	1	2350004R1
U005	L1301	CHOKE COIL	LBC2518T470M	1	231364M470R2
U005	L1305	CHOKE COIL	LBC2518T2R2M	1	231364M022R2

U005	L1307	CHOKE COIL	LBC2518T2R2M	1	231364M022R2
U005	L1308	CHOKE COIL	LBC2518T2R2M	1	231364M022R2
U005	L1312	CHOKE COIL	LBC2518T470M	1	231364M470R2
U005	L1313	CHOKE COIL	LBC2518T470M	1	231364M470R2
U005	L1319	CHOKE COIL	LBC2518T470M	1	231364M470R2
U005	L1323	EMIFIL	BK1608HS102-T	1	230955R2
U005	L1324	EMIFIL	BK1608HS102-T	1	230955R2
U005	L1325	EMIFIL	BK1608HS102-T	1	230955R2
U005	L1326	CHOKE COIL	LBC2518T470M	1	231364M470R2
U005	L1336	CHOKE COIL	LBC2518T470M	1	231364M470R2
U005	L1404	CHOKE COIL	LBC2518T4R7M	1	231364M047R2
U005	L1407	CHOKE COIL	LBC2518T4R7M	1	231364M047R2
U005	L2004	CHOKE COIL	BLM21PG221SN1	1	230949R2
U005	L2005	CHOKE COIL	BLM21PG221SN1	1	230949R2
U005	L2006	CHOKE COIL	BLM21PG221SN1	1	230949R2
U005	L2012	CHOKE COIL	0182-7E08Q-100M-RA	1	231396M100R2
U005	L2101	CHOKE COIL	LBC2518T470M	1	231364M470R2
U005	L2104	EMIFIL	BK1608LM182-T	1	230958R1
U005	L2105	EMIFIL	BK1608LM182-T	1	230958R1
U005	L2106	CHOKE COIL	LBC2518T4R7M	1	231364M047R2
U005	L5	CHOKE COIL	LBC2518T100M	1	231364M100R2
U005	L7001	CHOKE COIL	BLM21PG221SN1	1	230949R2
U005	L7900	EMIFIL	BK1608LM182-T	1	230958R1
U005	L7901	EMIFIL	BK1608LM182-T	1	230958R1
U005	L7902	EMIFIL	BK1608LM182-T	1	230958R1
U005	L7903	EMIFIL	BK1608LM182-T	1	230958R1
U005	L7904	EMIFIL	BK1608LM182-T	1	230958R1
U005	L7905	EMIFIL	BK1608LM182-T	1	230958R1
U005	L7906	EMIFIL	BK1608LM182-T	1	230958R1
U005	L7907	EMIFIL	BK1608LM182-T	1	230958R1
U005	L7908	EMIFIL	BK1608LM182-T	1	230958R1
U005	L7909	EMIFIL	BK1608LM182-T	1	230958R1
U005	L7910	EMIFIL	BK1608LM182-T	1	230958R1
U005	L7911	EMIFIL	BK1608LM182-T	1	230958R1
U005	L7912	EMIFIL	BK1608LM182-T	1	230958R1
U005	L7913	EMIFIL	BK1608LM182-T	1	230958R1
U005	L7914	CHOKE COIL	BLM21PG221SN1	1	230949R2
U005	L7917	CHOKE COIL	BLM21PG221SN1	1	230949R2
U005	L7918	EMIFIL	BK1608LM182-T	1	230958R1

U005	L7919	EMIFIL	BK1608LM182-T	1	230958R1	
U005	L7920	CHOKE COIL	BLM21PG221SN1	1	230949R2	
U005	L7921	CHOKE COIL	BLM21PG221SN1	1	230949R2	
U005	X101	CRYSTAL	HC-49S 4.332MHz	1	3010469T	<MMA, MMB, MMP, MMQ, MMR>
U005	X1100	CRYSTAL	HC-49US24.576MHz	1	3010490T	
U005	X7000	CERA LOCK	CSTCR5M00G53-B0	1	3010356R2	
U005	X7001	CERA LOCK	CSTCE8M00G55-R0	1	3010416R2	
U005	[CAPACITOR]					
U005	C1	UTSP C	CE04W50V-10M(UTSP)	1	397581007T	
U005	C1001	C-CERA C	CK725B0J-106K	1	332091065R2	
U005	C1002	C-CERA C	CK725F1E-104Z1	1	332161040R1	
U005	C101	C-CERA C	CC725CH1H-221J1	1	342102214R1	<MMA, MMB, MMP, MMQ, MMR>
U005	C102	C-CERA C	CC725CH1H-331J1	1	342103314R1	<MMA, MMB, MMP, MMQ, MMR>
U005	C103	UTSP C	CE04W50V-10M(UTSP)	1	397581007T	<MMA, MMB, MMP, MMQ, MMR>
U005	C104	UTSP C	CE04W50V-10M(UTSP)	1	397581007T	<MMA, MMB, MMP, MMQ, MMR>
U005	C105	C-CERA C	CK725B1H-103K1	1	332101035R1	<MMA, MMB, MMP, MMQ, MMR>
U005	C106	C-CERA C	CC725CH1H-331J1	1	342103314R1	<MMA, MMB, MMP, MMQ, MMR>
U005	C107	C-CERA C	CK725F1E-104Z1	1	332161040R1	<MMA, MMB, MMP, MMQ, MMR>
U005	C108	C-CERA C	CC725CH1H-150J1	1	342101504R1	<MMA, MMB, MMP, MMQ, MMR>
U005	C109	C-CERA C	CC725CH1H-150J1	1	342101504R1	<MMA, MMB, MMP, MMQ, MMR>
U005	C110	C-CERA C	CK725F1A-105Z1	1	332181050R1	<MMA, MMB, MMP, MMQ, MMR>
U005	C1100	C-CERA C	CK725F1E-104Z1	1	332161040R1	
U005	C1101	C-CERA C	CC725CH1H-180J1	1	342101804R1	
U005	C1102	C-CERA C	CC725CH1H-180J1	1	342101804R1	
U005	C1103	UTSP C	CE04W10V-470M(UTSP)	1	397534717T	
U005	C1104	C-CERA C	CK725B1H-473K1	1	332104735R1	
U005	C1105	C-CERA C	CK725B1H-223K1	1	332102235R1	
U005	C1106	UTSJ C	CE04W25V-47M(UTSJ)	1	398054707AT	
U005	C1107	C-CERA C	CK725F1E-104Z1	1	332161040R1	
U005	C1108	UTSP C	CE04W10V-470M(UTSP)	1	397534717T	
U005	C1109	C-CERA C	CK725B1H-472K1	1	332104725R1	
U005	C1110	UTSP C	CE04W10V-470M(UTSP)	1	397534717T	
U005	C1113	C-CERA C	CK725F1E-104Z1	1	332161040R1	
U005	C1116	C-CERA C	CC725CH1H-330J1	1	342103304R1	
U005	C1117	C-CERA C	CC725CH1H-330J1	1	342103304R1	
U005	C1119	C-CERA C	CC725CH1H-221J1	1	342102214R1	
U005	C1120	UTSJ C	CE04W25V-47M(UTSJ)	1	398054707AT	
U005	C1121	C-CERA C	CC725CH1H-221J1	1	342102214R1	
U005	C1122	C-CERA C	CK725F1E-104Z1	1	332161040R1	

U005	C1125	C-CERA C	CC725CH1H-330J1	1	342103304R1
U005	C1141	UTSJ C	CE04W25V-47M(UTSJ)	1	398054707AT
U005	C1230	C-CERA C	CC725CH1H-221J1	1	342102214R1
U005	C1303	UTSP C	CE04W50V 47M(UTSP)	1	397584707T
U005	C1304	C-CERA C	CC725CH1H-680J1	1	342106804R1
U005	C1305	VR C	CE04W16V-100M(VR)	1	394641017T
U005	C1306	C-CERA C	CC725CH1H-680J1	1	342106804R1
U005	C1307	UTSP C	CE04W50V 47M(UTSP)	1	397584707T
U005	C1308	C-FILM C	ECHU50V-222J	1	373022224R2
U005	C1309	C-CERA C	CC725CH1H-680J1	1	342106804R1
U005	C1310	VR C	CE04W16V-100M(VR)	1	394641017T
U005	C1312	UTSP C	CE04W10V-470M(UTSP)	1	397534717T
U005	C1313	C-CERA C	CC725CH1H-680J1	1	342106804R1
U005	C1314	C-CERA C	CC725CH1H-680J1	1	342106804R1
U005	C1321	C-CERA C	CK725F1E-104Z1	1	332161040R1
U005	C1331	C-CERA C	CK725F1E-104Z1	1	332161040R1
U005	C1332	UTSP C	CE04W10V-470M(UTSP)	1	397534717T
U005	C1333	UTSP C	CE04W50V 47M(UTSP)	1	397584707T
U005	C1335	VR C	CE04W16V-100M(VR)	1	394641017T
U005	C1365	C-CERA C	CK725F1E-104Z1	1	332161040R1
U005	C1366	C-CERA C	CC725CH1H-101J1	1	342101014R1
U005	C1368	C-CERA C	CC725CH1H-101J1	1	342101014R1
U005	C1375	C-CERA C	CK725F1E-104Z1	1	332161040R1
U005	C1380	C-CERA C	CK725F1E-104Z1	1	332161040R1
U005	C1381	C-CERA C	CC725CH1H-101J1	1	342101014R1
U005	C1385	C-CERA C	CK725B1H-102K1	1	332101025R1
U005	C1389	UTSP C	CE04W10V-470M(UTSP)	1	397534717T
U005	C1390	UTSP C	CE04W10V-470M(UTSP)	1	397534717T
U005	C1391	C-CERA C	CK725F1E-104Z1	1	332161040R1
U005	C1399	VR C	CE04W16V-100M(VR)	1	394641017T
U005	C1400	C-CERA C	CK725F1E-104Z1	1	332161040R1
U005	C1401	C-CERA C	CK725F1E-104Z1	1	332161040R1
U005	C1408	C-CERA C	CC725CH1H-080D1	1	342100802R1
U005	C1409	C-CERA C	CC725CH1H-080D1	1	342100802R1
U005	C1415	C-CERA C	CK725F1E-104Z1	1	332161040R1
U005	C1417	C-CERA C	CK725F1E-104Z1	1	332161040R1
U005	C1419	C-CERA C	CC725CH1H-080D1	1	342100802R1
U005	C1421	UTSP C	CE04W10V-220M(UTSP)	1	397532217T
U005	C1440	UTSP C	CE04W10V-470M(UTSP)	1	397534717T

U005	C1456	C-FILM C	ECHU16V-104J	1	373041044R2
U005	C1464	C-FILM C	ECHU16V-104J	1	373041044R2
U005	C1465	C-FILM C	ECHU16V-104J	1	373041044R2
U005	C1499	UTSP C	CE04W10V-100M(UTSP)	1	397531017T
U005	C1582	C-CERA C	CC725CH1H-680J1	1	342106804R1
U005	C1583	C-FILM C	ECHU50V-222J	1	373022224R2
U005	C1600	MKT C	B32529C0102J289	1	376491024T
U005	C1601	MKT C	B32529C0102J289	1	376491024T
U005	C1602	MKT C	B32529C0102J289	1	376491024T
U005	C1603	MKT C	B32529C0102J289	1	376491024T
U005	C1604	MKT C	B32529C0102J289	1	376491024T
U005	C1605	MKT C	B32529C0102J289	1	376491024T
U005	C1606	MKT C	B32529C0102J289	1	376491024T
U005	C1607	MKT C	B32529C0102J289	1	376491024T
U005	C1610	UPZ C	2AUPZTF101JE	1	376331014T
U005	C1611	UPZ C	2AUPZTF101JE	1	376331014T
U005	C1612	UPZ C	2AUPZTF101JE	1	376331014T
U005	C1613	UPZ C	2AUPZTF101JE	1	376331014T
U005	C1614	UPZ C	2AUPZTF101JE	1	376331014T
U005	C1615	UPZ C	2AUPZTF101JE	1	376331014T
U005	C1616	UPZ C	2AUPZTF101JE	1	376331014T
U005	C1617	UPZ C	2AUPZTF101JE	1	376331014T
U005	C1620	UPZ C	2AUPZTF101JE	1	376331014T
U005	C1621	UPZ C	2AUPZTF101JE	1	376331014T
U005	C1622	UPZ C	2AUPZTF101JE	1	376331014T
U005	C1623	UPZ C	2AUPZTF101JE	1	376331014T
U005	C1624	UPZ C	2AUPZTF101JE	1	376331014T
U005	C1625	UPZ C	2AUPZTF101JE	1	376331014T
U005	C1626	UPZ C	2AUPZTF101JE	1	376331014T
U005	C1627	UPZ C	2AUPZTF101JE	1	376331014T
U005	C1650	UTSP C	CE04W25V-470M(UTSP)	1	397554717T
U005	C1651	UTSP C	CE04W25V-470M(UTSP)	1	397554717T
U005	C1800	UTSP C	CE04W25V-47M(UTSP)	1	397554707T
U005	C1801	UTSP C	CE04W25V-47M(UTSP)	1	397554707T
U005	C1810	UTSP C	CE04W25V-47M(UTSP)	1	397554707T
U005	C1811	UTSP C	CE04W25V-47M(UTSP)	1	397554707T
U005	C2	VR C	CE04W16V-100M(VR)	1	394641017T
U005	C2000	TF C	ECQ-V50V-334J	1	374723344T
U005	C2002	TF C	ECQ-V50V-334J	1	374723344T

U005	C2004	UTSP C	CE04W50V-4.7M(UTSP)	1	397580477T
U005	C2005	ELECT C	CE04W18V-1000M(VZ)	1	3945H1037S
U005	C2017	C-CERA C	CK725F1E-104Z1	1	332161040R1
U005	C2018	C-CERA C	CK725F1E-104Z1	1	332161040R1
U005	C2019	C-CERA C	CK725B1E-106K	1	332221065R2
U005	C2020	C-CERA C	CK725B1E-106K	1	332221065R2
U005	C2022	C-CERA C	CK725B1E-106K	1	332221065R2
U005	C2023	C-CERA C	CK725B1E-106K	1	332221065R2
U005	C2024	C-CERA C	CK725F1A-105Z1	1	332181050R1
U005	C2025	VR C	CE04W16V-100M(VR)	1	394641017T
U005	C2026	C-CERA C	CK725B1H-103K1	1	332101035R1
U005	C2027	VR C	CE04W16V-100M(VR)	1	394641017T
U005	C2029	VR C	CE04W16V-4700M(VR)	1	394644727S
U005	C2044	C-CERA C	CK725B1E-106K	1	332221065R2
U005	C2115	UTSP C	CE04W50V-10M(UTSP)	1	397581007T
U005	C2116	UTSP C	CE04W50V-2.2M(UTSP)	1	397580227T
U005	C2127	C-CERA C	CK725B1H-102K1	1	332101025R1
U005	C2128	UTSP C	CE04W50V-2.2M(UTSP)	1	397580227T
U005	C2137	C-CERA C	CK725F1E-104Z1	1	332161040R1
U005	C2138	UTSP C	CE04W50V-2.2M(UTSP)	1	397580227T
U005	C2144	UTSP C	CE04W50V-2.2M(UTSP)	1	397580227T
U005	C2147	C-CERA C	CK725B1H-102K1	1	332101025R1
U005	C2148	UTSP C	CE04W50V-1M(UTSP)	1	397580107T
U005	C2150	UTSP C	CE04W50V-2.2M(UTSP)	1	397580227T
U005	C2153	C-CERA C	CK725F1E-104Z1	1	332161040R1
U005	C2159	UTSP C	CE04W25V-47M(UTSP)	1	397554707T
U005	C2161	UTSP C	CE04W50V-2.2M(UTSP)	1	397580227T
U005	C2162	VR C	CE04W6.3V-470M(VR)	1	394624717T
U005	C2169	VR C	CE04W6.3V-470M(VR)	1	394624717T
U005	C2178	UTSP C	CE04W50V-2.2M(UTSP)	1	397580227T
U005	C2179	UTSP C	CE04W25V-47M(UTSP)	1	397554707T
U005	C2180	C-CERA C	CK725F1E-104Z1	1	332161040R1
U005	C2181	VR C	CE04W6.3V-470M(VR)	1	394624717T
U005	C2182	C-CERA C	CK725B1H-102K1	1	332101025R1
U005	C2184	VR C	CE04W6.3V-470M(VR)	1	394624717T
U005	C2185	UTSP C	CE04W50V-22M(UTSP)	1	397582207T
U005	C2189	UTSP C	CE04W50V-1M(UTSP)	1	397580107T
U005	C2190	VR C	CE04W6.3V-470M(VR)	1	394624717T
U005	C2191	VR C	CE04W6.3V-470M(VR)	1	394624717T

U005	C2193	UTSP C	CE04W25V-47M(UTSP)	1	397554707T
U005	C2194	C-CERA C	CK725F1E-104Z1	1	332161040R1
U005	C2195	UTSP C	CE04W50V-1M(UTSP)	1	397580107T
U005	C2196	UTSP C	CE04W25V-47M(UTSP)	1	397554707T
U005	C2198	C-CERA C	CK725F1E-104Z1	1	332161040R1
U005	C2199	C-CERA C	CK725F1E-104Z1	1	332161040R1
U005	C2200	VR C	CE04W16V-100M(VR)	1	394641017T
U005	C2201	C-CERA C	CK725F1E-104Z1	1	332161040R1
U005	C2202	UTSP C	CE04W50V-1M(UTSP)	1	397580107T
U005	C2203	UTSP C	CE04W25V-47M(UTSP)	1	397554707T
U005	C2204	VR C	CE04W6.3V-470M(VR)	1	394624717T
U005	C2205	C-CERA C	CK725B1H-102K1	1	332101025R1
U005	C2206	UTSP C	CE04W50V-1M(UTSP)	1	397580107T
U005	C2207	VR C	CE04W6.3V-470M(VR)	1	394624717T
U005	C2208	UTSP C	CE04W25V-47M(UTSP)	1	397554707T
U005	C2210	VR C	CE04W6.3V-470M(VR)	1	394624717T
U005	C2212	C-CERA C	CK725B1H-102K1	1	332101025R1
U005	C2213	VR C	CE04W6.3V-470M(VR)	1	394624717T
U005	C2214	VR C	CE04W6.3V-470M(VR)	1	394624717T
U005	C2216	UTSP C	CE04W25V-47M(UTSP)	1	397554707T
U005	C2217	C-CERA C	CK725F1E-104Z1	1	332161040R1
U005	C2219	VR C	CE04W6.3V-470M(VR)	1	394624717T
U005	C2222	VR C	CE04W6.3V-470M(VR)	1	394624717T
U005	C2224	VR C	CE04W6.3V-470M(VR)	1	394624717T
U005	C2226	VR C	CE04W6.3V-470M(VR)	1	394624717T
U005	C2231	C-CERA C	CK725F1E-104Z1	1	332161040R1
U005	C2233	UTSP C	CE04W50V-1M(UTSP)	1	397580107T
U005	C2234	UTSP C	CE04W50V-1M(UTSP)	1	397580107T
U005	C2235	UTSP C	CE04W25V-47M(UTSP)	1	397554707T
U005	C2237	C-CERA C	CK725B1A-105K1	1	332131055R1
U005	C2238	UTSP C	CE04W50V-1M(UTSP)	1	397580107T
U005	C2239	UTSP C	CE04W25V-47M(UTSP)	1	397554707T
U005	C2240	C-CERA C	CK725F1E-104Z1	1	332161040R1
U005	C2241	UTSP C	CE04W50V-2.2M(UTSP)	1	397580227T
U005	C2242	C-CERA C	CK725F1E-104Z1	1	332161040R1
U005	C2243	C-CERA C	CK725F1E-104Z1	1	332161040R1
U005	C2244	VR C	CE04W6.3V-220M(VR)	1	394622217T
U005	C2246	C-CERA C	CK725B1H-102K1	1	332101025R1
U005	C2247	C-CERA C	CK725B1H-102K1	1	332101025R1

U005	C2248	C-CERA C	CK725B1A-105K1	1	332131055R1
U005	C2249	UTSP C	CE04W50V-1M(UTSP)	1	397580107T
U005	C2251	C-CERA C	CC725CH1H-101J1	1	342101014R1
U005	C2252	UTSP C	CE04W50V-2.2M(UTSP)	1	397580227T
U005	C2255	C-CERA C	CC725CH1H-151J1	1	342101514R1
U005	C2256	C-CERA C	CC725CH1H-151J1	1	342101514R1
U005	C2257	C-CERA C	CC725CH1H-151J1	1	342101514R1
U005	C2258	C-CERA C	CK725B1H-102K1	1	332101025R1
U005	C2259	C-CERA C	CK725B1A-105K1	1	332131055R1
U005	C2260	UTSP C	CE04W50V-1M(UTSP)	1	397580107T
U005	C2261	C-CERA C	CC725CH1H-101J1	1	342101014R1
U005	C2262	UTSP C	CE04W50V-2.2M(UTSP)	1	397580227T
U005	C2263	C-CERA C	CK725F1E-104Z1	1	332161040R1
U005	C2265	C-CERA C	CK725B1A-105K1	1	332131055R1
U005	C2267	UTSP C	CE04W50V-1M(UTSP)	1	397580107T
U005	C2268	UTSP C	CE04W50V-2.2M(UTSP)	1	397580227T
U005	C2270	C-CERA C	CK725B1H-102K1	1	332101025R1
U005	C2280	C-CERA C	CC725CH1H-151J1	1	342101514R1
U005	C2281	C-CERA C	CC725CH1H-151J1	1	342101514R1
U005	C2282	C-CERA C	CC725CH1H-151J1	1	342101514R1
U005	C2287	C-CERA C	CK725F1E-104Z1	1	332161040R1
U005	C45	UTSP C	CE04W25V-220M(UTSP)	1	397552217T
U005	C46	UTSP C	CE04W25V-220M(UTSP)	1	397552217T
U005	C47	ELECT C	CE04W35V-10M(S)	1	353761009T
U005	C48	ELECT C	CE04W35V-10M(S)	1	353761009T
U005	C49	C-CERA C	CK725B1H-102K1	1	332101025R1
U005	C55	C-CERA C	CC725CH1H-101J1	1	342101014R1
U005	C56	C-CERA C	CC725CH1H-101J1	1	342101014R1
U005	C57	C-CERA C	CC725CH1H-101J1	1	342101014R1
U005	C58	C-CERA C	CC725CH1H-101J1	1	342101014R1
U005	C7	UTSP C	CE04W25V-47M(UTSP)	1	397554707T
U005	C7000	C-CERA C	CK725F1A-105Z1	1	332181050R1
U005	C7004	C-CERA C	CK725F1A-105Z1	1	332181050R1
U005	C7008	C-CERA C	CK725F1E-104Z1	1	332161040R1
U005	C7009	C-CERA C	CK725F1A-105Z1	1	332181050R1
U005	C7010	C-CERA C	CC725CH1H-101J1	1	342101014R1
U005	C7011	C-CERA C	CC725CH1H-101J1	1	342101014R1
U005	C7013	C-CERA C	CK725F1A-105Z1	1	332181050R1
U005	C7015	C-CERA C	CK725F1A-105Z1	1	332181050R1

U005	C7016	C-CERA C	CK725F1A-105Z1	1	332181050R1
U005	C7017	C-CERA C	CK725F1A-105Z1	1	332181050R1
U005	C7018	UTSP C	CE04W25V-100M(UTSP)	1	397551017T
U005	C7020	UTSP C	CE04W10V-100M(UTSP)	1	397531017T
U005	C7021	UTSP C	CE04W10V-100M(UTSP)	1	397531017T
U005	C7022	C-CERA C	CK725F1A-105Z1	1	332181050R1
U005	C7023	C-CERA C	CK725F1A-105Z1	1	332181050R1
U005	C7024	C-CERA C	CK725B1H-102K1	1	332101025R1
U005	C7025	C-CERA C	CK725B1H-102K1	1	332101025R1
U005	C7026	C-CERA C	CK725F1A-105Z1	1	332181050R1
U005	C7027	UTSP C	CE04W50V-10M(UTSP)	1	397581007T
U005	C7028	UTSP C	CE04W10V-100M(UTSP)	1	397531017T
U005	C7029	C-CERA C	CK725F1E-104Z1	1	332161040R1
U005	C7030	C-CERA C	CK725F1E-104Z1	1	332161040R1
U005	C7031	C-CERA C	CK725B0J-106K	1	332091065R2
U005	C7032	C-CERA C	CK725B1H-102K1	1	332101025R1
U005	C7033	C-CERA C	CK725B1H-102K1	1	332101025R1
U005	C7034	C-CERA C	CK725B1H-102K1	1	332101025R1
U005	C7035	C-CERA C	CK725B1H-102K1	1	332101025R1
U005	C7036	C-CERA C	CK725F1E-104Z1	1	332161040R1
U005	C7037	C-CERA C	CK725F1E-104Z1	1	332161040R1
U005	C7038	C-CERA C	CK725F1E-104Z1	1	332161040R1
U005	C7039	C-CERA C	CK725B1H-102K1	1	332101025R1
U005	C7040	C-CERA C	CK725B1H-102K1	1	332101025R1
U005	C7041	C-CERA C	CK725F1E-104Z1	1	332161040R1
U005	C7042	C-CERA C	CK725F1E-104Z1	1	332161040R1
U005	C7043	C-CERA C	CK725F1E-104Z1	1	332161040R1
U005	C7044	C-CERA C	CK725F1E-104Z1	1	332161040R1
U005	C7045	C-CERA C	CK725F1A-105Z1	1	332181050R1
U005	C7046	UTSP C	CE04W50V-10M(UTSP)	1	397581007T
U005	C7047	UTSP C	CE04W10V-470M(UTSP)	1	397534717T
U005	C7048	C-CERA C	CK725F1E-104Z1	1	332161040R1
U005	C7049	ELECT C	CE04W16V-10M	1	355741009T
U005	C7051	C-CERA C	CC725CH1H-101J1	1	342101014R1
U005	C7052	UTSP C	CE04W10V-470M(UTSP)	1	397534717T
U005	C7053	C-CERA C	CK725F1E-104Z1	1	332161040R1
U005	C7054	C-CERA C	CK725F1E-104Z1	1	332161040R1
U005	C7900	UTSP C	CE04W50V-10M(UTSP)	1	397581007T
U005	C7903	C-CERA C	CC725CH1H-101J1	1	342101014R1

U005	C7904	C-CERA C	CC725CH1H-101J1	1	342101014R1
U005	C7905	C-CERA C	CK725B1H-102K1	1	332101025R1
U005	C7906	C-CERA C	CK725F1E-104Z1	1	332161040R1
U005	C7907	C-CERA C	CK725B1H-102K1	1	332101025R1
U005	C7908	C-CERA C	CC725CH1H-101J1	1	342101014R1
U005	C7909	C-CERA C	CC725CH1H-101J1	1	342101014R1
U005	C7910	C-CERA C	CK725F1E-104Z1	1	332161040R1
U005	C7912	C-CERA C	CC725CH1H-471J1	1	342104714R1
U005	C7914	UTSP C	CE04W50V-10M(UTSP)	1	397581007T
U005	C7915	C-CERA C	CC725CH1H-471J1	1	342104714R1
U005	C7916	C-CERA C	CC725CH1H-221J1	1	342102214R1
U005	C7917	C-CERA C	CC725CH1H-221J1	1	342102214R1
U005	C7935	C-CERA C	CC725CH1H-470J1	1	342104704R1
U005	C7936	UTSP C	CE04W50V-10M(UTSP)	1	397581007T
U005	C7937	VR C	CE04W6.3V-470M(VR)	1	394624717T
U005	C7938	C-CERA C	CK725B1H-102K1	1	332101025R1
U005	C7939	C-CERA C	CC725CH1H-470J1	1	342104704R1
U005	C7940	VR C	CE04W6.3V-470M(VR)	1	394624717T
U005	C7941	UTSP C	CE04W25V-47M(UTSP)	1	397554707T
U005	C7942	UTSP C	CE04W25V-100M(UTSP)	1	397551017T
U005	C7943	UTSP C	CE04W10V-100M(UTSP)	1	397531017T
U005	C7944	C-CERA C	CK725F1E-104Z1	1	332161040R1
U005	C7945	C-CERA C	CC725CH1H-470J1	1	342104704R1
U005	C7946	C-CERA C	CK725F1E-104Z1	1	332161040R1
U005	C7947	C-CERA C	CK725F1E-104Z1	1	332161040R1
U005	C7948	C-CERA C	CK725F1E-104Z1	1	332161040R1
U005	C7949	C-CERA C	CK725F1A-105Z1	1	332181050R1
U005	C7950	C-CERA C	CK725F1A-105Z1	1	332181050R1
U005	C7951	C-CERA C	CK725F1A-105Z1	1	332181050R1
U005	C7952	C-CERA C	CC725CH1H-471J1	1	342104714R1
U005	C7953	C-CERA C	CC725CH1H-471J1	1	342104714R1
U005	C7954	C-CERA C	CK725F1A-105Z1	1	332181050R1
U005	C7955	C-CERA C	CK725F1A-105Z1	1	332181050R1
U005	C7956	C-CERA C	CC725CH1H-471J1	1	342104714R1
U005	C7957	C-CERA C	CC725CH1H-471J1	1	342104714R1
U005	C7958	C-CERA C	CK725F1A-105Z1	1	332181050R1
U005	C7959	C-CERA C	CC725CH1H-101J1	1	342101014R1
U005	C7960	C-CERA C	CC725CH1H-101J1	1	342101014R1
U005	[RESISTOR]				

U005	R1004	C-CARBON R	RN72K1J-271JE	1	435032714R1
U005	R1005	C-CARBON R	RN72K1J-750JE	1	435037504R1
U005	R11	METAL O R	RS1/2WBJ-10	1	443521004T
U005	R1100	C-CARBON R	RN72K1J-221JE	1	435032214R1
U005	R1101	C-CARBON R	RN72K1J-681JE	1	435036814R1
U005	R1102	C-CARBON R	RN72K1J-103JE	1	435031034R1
U005	R1103	C-CARBON R	RN72K1J-103JE	1	435031034R1
U005	R1104	C-CARBON R	RN72K1J-103JE	1	435031034R1
U005	R1105	C-CARBON R	RN72K1J-103JE	1	435031034R1
U005	R1106	C-CARBON R	RN72K1J-221JE	1	435032214R1
U005	R1107	C-CARBON R	RN72K1J-331JE	1	435033314R1
U005	R1108	C-CARBON R	RN72K1J-103JE	1	435031034R1
U005	R1109	C-CARBON R	RN72K1J-221JE	1	435032214R1
U005	R1110	C-CARBON R	RN72K1J-331JE	1	435033314R1
U005	R1111	C-CARBON R	RN72K1J-331JE	1	435033314R1
U005	R1112	C-CARBON R	RN72K1J-470JE	1	435034704R1
U005	R1113	C-CARBON R	RN72K1J-331JE	1	435033314R1
U005	R1213	C-CARBON R	RN72K1J-331JE	1	435033314R1
U005	R1215	C-CARBON R	RN72K1J-103JE	1	435031034R1
U005	R1217	C-CARBON R	RN72K1J-151JE	1	435031514R1
U005	R1221	C-CARBON R	RN72K1J-331JE	1	435033314R1
U005	R1222	C-CARBON R	RN72K1J-750JE	1	435037504R1
U005	R1223	C-CARBON R	RN72K1J-331JE	1	435033314R1
U005	R1224	C-CARBON R	RN72K1J-331JE	1	435033314R1
U005	R1225	C-CARBON R	RN72K1J-331JE	1	435033314R1
U005	R1226	C-CARBON R	RN72K1J-331JE	1	435033314R1
U005	R1227	C-CARBON R	RN72K1J-331JE	1	435033314R1
U005	R1228	C-CARBON R	RN72K1J-331JE	1	435033314R1
U005	R1229	C-CARBON R	RN72K1J-470JE	1	435034704R1
U005	R1232	C-CARBON R	RN72K1J-331JE	1	435033314R1
U005	R1233	C-CARBON R	RN72K1J-331JE	1	435033314R1
U005	R1241	C-CARBON R	RN72K1J-151JE	1	435031514R1
U005	R1242	C-CARBON R	RN72K1J-750JE	1	435037504R1
U005	R1243	METAL O R	RS1WBJ-10	1	443621004T
U005	R1244	METAL O R	RS1WBJ-15	1	443621504T
U005	R1245	C-CARBON R	RN72K1J-470JE	1	435034704R1
U005	R1246	C-CARBON R	RN72K1J-000JE	1	435030004R1
U005	R1248	C-CARBON R	RN72K1J-470JE	1	435034704R1
U005	R1249	C-CARBON R	RN72K1J-151JE	1	435031514R1

U005	R1250	C-CARBON R	RN72K1J-470JE	1	435034704R1
U005	R1251	C-CARBON R	RN72K1J-331JE	1	435033314R1
U005	R1252	C-CARBON R	RN72K1J-472JE	1	435034724R1
U005	R1253	C-CARBON R	RN72K1J-331JE	1	435033314R1
U005	R1254	C-CARBON R	RN72K1J-472JE	1	435034724R1
U005	R1255	C-CARBON R	RN72K1J-823JE	1	435038234R1
U005	R1256	C-CARBON R	RN72K1J-151JE	1	435031514R1
U005	R1257	C-CARBON R	RN72K1J-000JE	1	435030004R1
U005	R1259	C-CARBON R	RN72K1J-331JE	1	435033314R1
U005	R1260	C-CARBON R	RN72K1J-470JE	1	435034704R1
U005	R1485	C-CARBON R	RN72K1J-100JE	1	435031004R1
U005	R1486	C-CARBON R	RN72K1J-100JE	1	435031004R1
U005	R1487	C-CARBON R	RN72K1J-750JE	1	435037504R1
U005	R1488	C-CARBON R	RN72K1J-224JE	1	435032244R1
U005	R1490	C-CARBON R	RN72K1J-750JE	1	435037504R1
U005	R1491	C-CARBON R	RN72K1J-224JE	1	435032244R1
U005	R1492	C-CARBON R	RN72K1J-100JE	1	435031004R1
U005	R1496	C-CARBON R	RN72K1J-750JE	1	435037504R1
U005	R1497	C-CARBON R	RN72K1J-224JE	1	435032244R1
U005	R1513	C-CARBON R	RN72K1J-331JE	1	435033314R1
U005	R1515	C-CARBON R	RN72K1J-331JE	1	435033314R1
U005	R1517	C-CARBON R	RN72K1J-331JE	1	435033314R1
U005	R1518	C-CARBON R	RN72K1J-331JE	1	435033314R1
U005	R1519	C-CARBON R	RN72K1J-331JE	1	435033314R1
U005	R1522	C-CARBON R	RN72K1J-103JE	1	435031034R1
U005	R1523	C-CARBON R	RN72K1J-103JE	1	435031034R1
U005	R1524	C-CARBON R	RN72K1J-823JE	1	435038234R1
U005	R1529	C-CARBON R	RN72K1J-470JE	1	435034704R1
U005	R1532	C-CARBON R	RN72K1J-103JE	1	435031034R1
U005	R1534	C-CARBON R	RN72K1J-823JE	1	435038234R1
U005	R1567	C-CARBON R	RN72K1J-331JE	1	435033314R1
U005	R1568	C-CARBON R	RN72K1J-221JE	1	435032214R1
U005	R1569	C-CARBON R	RN72K1J-331JE	1	435033314R1
U005	R1572	C-CARBON R	RN72K1J-331JE	1	435033314R1
U005	R1573	C-CARBON R	RN72K1J-331JE	1	435033314R1
U005	R1575	C-CARBON R	RN72K1J-331JE	1	435033314R1
U005	R1577	C-CARBON R	RN72K1J-331JE	1	435033314R1
U005	R1579	C-CARBON R	RN72K1J-331JE	1	435033314R1
U005	R1600	C-CARBON R	RN72K1J-153JE	1	435031534R1

U005	R1601	C-CARBON R	RN72K1J-153JE	1	435031534R1
U005	R1602	C-CARBON R	RN72K1J-153JE	1	435031534R1
U005	R1603	C-CARBON R	RN72K1J-153JE	1	435031534R1
U005	R1604	C-CARBON R	RN72K1J-153JE	1	435031534R1
U005	R1605	C-CARBON R	RN72K1J-153JE	1	435031534R1
U005	R1606	C-CARBON R	RN72K1J-153JE	1	435031534R1
U005	R1607	C-CARBON R	RN72K1J-153JE	1	435031534R1
U005	R1610	C-CARBON R	RN72K1J-153JE	1	435031534R1
U005	R1611	C-CARBON R	RN72K1J-153JE	1	435031534R1
U005	R1612	C-CARBON R	RN72K1J-153JE	1	435031534R1
U005	R1613	C-CARBON R	RN72K1J-153JE	1	435031534R1
U005	R1614	C-CARBON R	RN72K1J-153JE	1	435031534R1
U005	R1615	C-CARBON R	RN72K1J-153JE	1	435031534R1
U005	R1616	C-CARBON R	RN72K1J-153JE	1	435031534R1
U005	R1617	C-CARBON R	RN72K1J-153JE	1	435031534R1
U005	R1620	C-CARBON R	RN72K1J-332JE	1	435033324R1
U005	R1621	C-CARBON R	RN72K1J-332JE	1	435033324R1
U005	R1622	C-CARBON R	RN72K1J-332JE	1	435033324R1
U005	R1623	C-CARBON R	RN72K1J-332JE	1	435033324R1
U005	R1624	C-CARBON R	RN72K1J-332JE	1	435033324R1
U005	R1625	C-CARBON R	RN72K1J-332JE	1	435033324R1
U005	R1626	C-CARBON R	RN72K1J-332JE	1	435033324R1
U005	R1627	C-CARBON R	RN72K1J-332JE	1	435033324R1
U005	R1630	C-CARBON R	RN72K1J-183JE	1	435031834R1
U005	R1631	C-CARBON R	RN72K1J-183JE	1	435031834R1
U005	R1632	C-CARBON R	RN72K1J-183JE	1	435031834R1
U005	R1633	C-CARBON R	RN72K1J-183JE	1	435031834R1
U005	R1634	C-CARBON R	RN72K1J-183JE	1	435031834R1
U005	R1635	C-CARBON R	RN72K1J-183JE	1	435031834R1
U005	R1636	C-CARBON R	RN72K1J-183JE	1	435031834R1
U005	R1637	C-CARBON R	RN72K1J-183JE	1	435031834R1
U005	R1640	C-CARBON R	RN72K1J-332JE	1	435033324R1
U005	R1641	C-CARBON R	RN72K1J-332JE	1	435033324R1
U005	R1642	C-CARBON R	RN72K1J-332JE	1	435033324R1
U005	R1643	C-CARBON R	RN72K1J-332JE	1	435033324R1
U005	R1644	C-CARBON R	RN72K1J-332JE	1	435033324R1
U005	R1645	C-CARBON R	RN72K1J-332JE	1	435033324R1
U005	R1646	C-CARBON R	RN72K1J-332JE	1	435033324R1
U005	R1647	C-CARBON R	RN72K1J-332JE	1	435033324R1

U005	R1650	C-CARBON R	RN72K1J-183JE	1	435031834R1
U005	R1651	C-CARBON R	RN72K1J-183JE	1	435031834R1
U005	R1652	C-CARBON R	RN72K1J-183JE	1	435031834R1
U005	R1653	C-CARBON R	RN72K1J-183JE	1	435031834R1
U005	R1654	C-CARBON R	RN72K1J-183JE	1	435031834R1
U005	R1655	C-CARBON R	RN72K1J-183JE	1	435031834R1
U005	R1656	C-CARBON R	RN72K1J-183JE	1	435031834R1
U005	R1657	C-CARBON R	RN72K1J-183JE	1	435031834R1
U005	R1660	C-CARBON R	RN72K1J-471JE	1	435034714R1
U005	R1661	C-CARBON R	RN72K1J-471JE	1	435034714R1
U005	R1662	C-CARBON R	RN72K1J-471JE	1	435034714R1
U005	R1663	C-CARBON R	RN72K1J-471JE	1	435034714R1
U005	R1664	C-CARBON R	RN72K1J-471JE	1	435034714R1
U005	R1665	C-CARBON R	RN72K1J-471JE	1	435034714R1
U005	R1666	C-CARBON R	RN72K1J-471JE	1	435034714R1
U005	R1667	C-CARBON R	RN72K1J-471JE	1	435034714R1
U005	R1670	C-CARBON R	RN72K1J-471JE	1	435034714R1
U005	R1671	C-CARBON R	RN72K1J-471JE	1	435034714R1
U005	R1672	C-CARBON R	RN72K1J-471JE	1	435034714R1
U005	R1673	C-CARBON R	RN72K1J-471JE	1	435034714R1
U005	R1674	C-CARBON R	RN72K1J-471JE	1	435034714R1
U005	R1675	C-CARBON R	RN72K1J-471JE	1	435034714R1
U005	R1676	C-CARBON R	RN72K1J-471JE	1	435034714R1
U005	R1677	C-CARBON R	RN72K1J-471JE	1	435034714R1
U005	R1770	C-CARBON R	RN72K1J-000JE	1	435030004R1
U005	R1771	C-CARBON R	RN72K1J-000JE	1	435030004R1
U005	R1772	C-CARBON R	RN72K1J-000JE	1	435030004R1
U005	R1773	C-CARBON R	RN72K1J-000JE	1	435030004R1
U005	R1774	C-CARBON R	RN72K1J-000JE	1	435030004R1
U005	R1775	C-CARBON R	RN72K1J-000JE	1	435030004R1
U005	R1776	C-CARBON R	RN72K1J-000JE	1	435030004R1
U005	R1777	C-CARBON R	RN72K1J-000JE	1	435030004R1
U005	R1778	C-CARBON R	RN72K1J-000JE	1	435030004R1
U005	R1779	C-CARBON R	RN72K1J-000JE	1	435030004R1
U005	R1780	METAL O R	RS1WBJ-10	1	443621004T
U005	R1781	METAL O R	RS1WBJ-10	1	443621004T
U005	R1800	C-CARBON R	RN72K1J-103JE	1	435031034R1
U005	R1801	C-CARBON R	RN72K1J-103JE	1	435031034R1
U005	R1802	C-CARBON R	RN72K1J-103JE	1	435031034R1

U005	R1803	C-CARBON R	RN72K1J-103JE	1	435031034R1	
U005	R1810	C-CARBON R	RN72K1J-101JE	1	435031014R1	
U005	R1811	C-CARBON R	RN72K1J-101JE	1	435031014R1	
U005	R1820	C-CARBON R	RN72K1J-101JE	1	435031014R1	
U005	R1821	C-CARBON R	RN72K1J-101JE	1	435031014R1	
U005	R1830	C-CARBON R	RN72K1J-562JE	1	435035624R1	
U005	R1831	C-CARBON R	RN72K1J-562JE	1	435035624R1	
U005	R1840	C-CARBON R	RN72K1J-393JE	1	435033934R1	
U005	R1841	C-CARBON R	RN72K1J-393JE	1	435033934R1	
U005	R1850	C-CARBON R	RN72K1J-103JE	1	435031034R1	
U005	R1851	C-CARBON R	RN72K1J-103JE	1	435031034R1	
U005	R1860	C-CARBON R	RN72K1J-103JE	1	435031034R1	
U005	R1861	C-CARBON R	RN72K1J-103JE	1	435031034R1	
U005	R1870	C-CARBON R	RN72K1J-562JE	1	435035624R1	
U005	R1871	C-CARBON R	RN72K1J-562JE	1	435035624R1	
U005	R1880	C-CARBON R	RN72K1J-393JE	1	435033934R1	
U005	R1881	C-CARBON R	RN72K1J-393JE	1	435033934R1	
U005	R20	C-CARBON R	RN72K1J-123JE	1	435031234R1	<MDC, MDF>
U005	R20	C-CARBON R	RN72K1J-272JE	1	435032724R1	<MMA, MMB, MMP, MMQ, MMR>
U005	R2001	METAL R	RNU1/2WCJ-4.7	1	453530474T	
U005	R2003	C-CARBON R	RN72K1J-682JE	1	435036824R1	
U005	R2004	METAL R	RNU1WCJ-0.22	1	453632294T	
U005	R2012	METAL R	RNU1/2WCJ-0.47	1	453534794T	
U005	R2014	C-CARBON R	RN72K1J-104JE	1	435031044R1	
U005	R2015	C-CARBON R	RN72K1J-822JE	1	435038224R1	
U005	R2017	C-CARBON R	RN72K1J-563FE	1	435035632R1	
U005	R2018	C-CARBON R	RN72K1J-103FE	1	435031032R1	
U005	R21	C-CARBON R	RN72K1J-822JE	1	435038224R1	
U005	R2112	C-CARBON R	RN72K1J-000JE	1	435030004R1	
U005	R2113	C-CARBON R	RN72K1J-000JE	1	435030004R1	
U005	R2114	C-CARBON R	RN72K1J-000JE	1	435030004R1	
U005	R2115	C-CARBON R	RN72K1J-000JE	1	435030004R1	
U005	R2116	C-CARBON R	RN72K1J-000JE	1	435030004R1	
U005	R2117	C-CARBON R	RN72K1J-000JE	1	435030004R1	
U005	R2135	C-CARBON R	RN72K1J-750JE	1	435037504R1	
U005	R2138	C-CARBON R	RN72K1J-000JE	1	435030004R1	
U005	R2139	C-CARBON R	RN72K1J-000JE	1	435030004R1	
U005	R2142	C-CARBON R	RN72K1J-000JE	1	435030004R1	
U005	R2143	C-CARBON R	RN72K1J-104JE	1	435031044R1	

U005	R2144	C-CARBON R	RN72K1J-104JE	1	435031044R1	
U005	R2145	C-CARBON R	RN72K1J-682JE	1	435036824R1	
U005	R2146	C-CARBON R	RN72K1J-101JE	1	435031014R1	
U005	R2147	C-CARBON R	RN72K1J-750JE	1	435037504R1	
U005	R2150	C-CARBON R	RN72K1J-000JE	1	435030004R1	
U005	R2154	C-CARBON R	RN72K1J-101JE	1	435031014R1	
U005	R2155	C-CARBON R	RN72K1J-750JE	1	435037504R1	
U005	R2156	C-CARBON R	RN72K1J-101JE	1	435031014R1	
U005	R2157	C-CARBON R	RN72K1J-103JE	1	435031034R1	
U005	R2159	C-CARBON R	RN72K1J-392JE	1	435033924R1	
U005	R2161	C-CARBON R	RN72K1J-222JE	1	435032224R1	
U005	R2162	C-CARBON R	RN72K1J-222JE	1	435032224R1	
U005	R2164	C-CARBON R	RN72K1J-750JE	1	435037504R1	
U005	R2172	C-CARBON R	RN72K1J-750JE	1	435037504R1	
U005	R2175	C-CARBON R	RN72K1J-000JE	1	435030004R1	
U005	R2177	C-CARBON R	RN72K1J-750JE	1	435037504R1	
U005	R2183	C-CARBON R	RN72K1J-331JE	1	435033314R1	
U005	R2184	C-CARBON R	RN72K1J-750JE	1	435037504R1	
U005	R2185	C-CARBON R	RN72K1J-101JE	1	435031014R1	
U005	R2186	C-CARBON R	RN72K1J-331JE	1	435033314R1	
U005	R2187	C-CARBON R	RN72K1J-331JE	1	435033314R1	
U005	R2188	C-CARBON R	RN72K1J-104JE	1	435031044R1	
U005	R2190	C-CARBON R	RN72K1J-101JE	1	435031014R1	
U005	R2192	C-CARBON R	RN72K1J-101JE	1	435031014R1	
U005	R2193	C-CARBON R	RN72K1J-331JE	1	435033314R1	
U005	R2195	C-CARBON R	RN72K1J-750JE	1	435037504R1	
U005	R2196	C-CARBON R	RN72K1J-103JE	1	435031034R1	
U005	R2198	C-CARBON R	RN72K1J-104JE	1	435031044R1	
U005	R22	C-CARBON R	RN72K1J-123JE	1	435031234R1	<MDC, MDF>
U005	R22	C-CARBON R	RN72K1J-272JE	1	435032724R1	<MMA, MMB, MMP, MMQ, MMR>
U005	R2202	C-CARBON R	RN72K1J-103JE	1	435031034R1	
U005	R2203	C-CARBON R	RN72K1J-750JE	1	435037504R1	
U005	R2204	C-CARBON R	RN72K1J-103JE	1	435031034R1	
U005	R2205	C-CARBON R	RN72K1J-104JE	1	435031044R1	
U005	R2234	C-CARBON R	RN72K1J-392JE	1	435033924R1	
U005	R2236	C-CARBON R	RN72K1J-392JE	1	435033924R1	
U005	R2242	C-CARBON R	RN72K1J-101JE	1	435031014R1	
U005	R2243	C-CARBON R	RN72K1J-682JE	1	435036824R1	
U005	R2244	C-CARBON R	RN72K1J-101JE	1	435031014R1	

U005	R2245	C-CARBON R	RN72K1J-104JE	1	435031044R1
U005	R2246	C-CARBON R	RN72K1J-104JE	1	435031044R1
U005	R2247	C-CARBON R	RN72K1J-682JE	1	435036824R1
U005	R2248	C-CARBON R	RN72K1J-101JE	1	435031014R1
U005	R2249	C-CARBON R	RN72K1J-104JE	1	435031044R1
U005	R2250	C-CARBON R	RN72K1J-104JE	1	435031044R1
U005	R2253	C-CARBON R	RN72K1J-750JE	1	435037504R1
U005	R2254	C-CARBON R	RN72K1J-750JE	1	435037504R1
U005	R2255	C-CARBON R	RN72K1J-750JE	1	435037504R1
U005	R2256	C-CARBON R	RN72K1J-102JE	1	435031024R1
U005	R2257	C-CARBON R	RN72K1J-039JE	1	435030394R1
U005	R2258	C-CARBON R	RN72K1J-750JE	1	435037504R1
U005	R2259	C-CARBON R	RN72K1J-750JE	1	435037504R1
U005	R2260	C-CARBON R	RN72K1J-750JE	1	435037504R1
U005	R2261	C-CARBON R	RN72K1J-224JE	1	435032244R1
U005	R2262	C-CARBON R	RN72K1J-102JE	1	435031024R1
U005	R2263	C-CARBON R	RN72K1J-750JE	1	435037504R1
U005	R2264	C-CARBON R	RN72K1J-220JE	1	435032204R1
U005	R2266	C-CARBON R	RN72K1J-750JE	1	435037504R1
U005	R2267	C-CARBON R	RN72K1J-224JE	1	435032244R1
U005	R2268	C-CARBON R	RN72K1J-750JE	1	435037504R1
U005	R2269	C-CARBON R	RN72K1J-104JE	1	435031044R1
U005	R2270	C-CARBON R	RN72K1J-104JE	1	435031044R1
U005	R2271	C-CARBON R	RN72K1J-104JE	1	435031044R1
U005	R2272	C-CARBON R	RN72K1J-102JE	1	435031024R1
U005	R2274	C-CARBON R	RN72K1J-101JE	1	435031014R1
U005	R2277	C-CARBON R	RN72K1J-750JE	1	435037504R1
U005	R2278	C-CARBON R	RN72K1J-750JE	1	435037504R1
U005	R2279	C-CARBON R	RN72K1J-750JE	1	435037504R1
U005	R2283	C-CARBON R	RN72K1J-000JE	1	435030004R1
U005	R2284	C-CARBON R	RN72K1J-000JE	1	435030004R1
U005	R2285	C-CARBON R	RN72K1J-000JE	1	435030004R1
U005	R2290	C-CARBON R	RN72K1J-000JE	1	435030004R1
U005	R2296	C-CARBON R	RN72K1J-750JE	1	435037504R1
U005	R2297	C-CARBON R	RN72K1J-750JE	1	435037504R1
U005	R2298	C-CARBON R	RN72K1J-750JE	1	435037504R1
U005	R23	C-CARBON R	RN72K1J-822JE	1	435038224R1
U005	R2303	C-CARBON R	RN72K1J-750JE	1	435037504R1
U005	R2305	C-CARBON R	RN72K1J-750JE	1	435037504R1

U005	R2307	C-CARBON R	RN72K1J-750JE	1	435037504R1	
U005	R2308	C-CARBON R	RN72K1J-104JE	1	435031044R1	
U005	R2309	C-CARBON R	RN72K1J-104JE	1	435031044R1	
U005	R2310	C-CARBON R	RN72K1J-104JE	1	435031044R1	
U005	R44	NF CARBON R	R25J-10	1	415471004T	<MMA, MMB, MMP, MMQ, MMR>
U005	R45	NF CARBON R	R25J-10	1	415471004T	
U005	R46	C-CARBON R	RN72K1J-103JE	1	435031034R1	<MMA, MMB, MMP, MMQ, MMR>
U005	R47	C-CARBON R	RN72K1J-101JE	1	435031014R1	<MMA, MMB, MMP, MMQ, MMR>
U005	R48	C-CARBON R	RN72K1J-101JE	1	435031014R1	<MMA, MMB, MMP, MMQ, MMR>
U005	R49	C-CARBON R	RN72K1J-273JE	1	435032734R1	
U005	R50	C-CARBON R	RN72K1J-273JE	1	435032734R1	
U005	R51	C-CARBON R	RN72K1J-273JE	1	435032734R1	
U005	R52	C-CARBON R	RN72K1J-273JE	1	435032734R1	
U005	R53	C-CARBON R	RN72K1J-183JE	1	435031834R1	
U005	R54	C-CARBON R	RN72K1J-183JE	1	435031834R1	
U005	R55	C-CARBON R	RN72K1J-183JE	1	435031834R1	
U005	R56	C-CARBON R	RN72K1J-183JE	1	435031834R1	
U005	R66	NF CARBON R	R25J-10	1	415471004T	
U005	R7002	C-CARBON R	RN72K1J-102JE	1	435031024R1	
U005	R7004	C-CARBON R	RN72K1J-470JE	1	435034704R1	
U005	R7005	C-CARBON R	RN72K1J-470JE	1	435034704R1	
U005	R7006	C-CARBON R	RN72K1J-470JE	1	435034704R1	
U005	R7007	C-CARBON R	RN72K1J-470JE	1	435034704R1	
U005	R7008	C-CARBON R	RN72K1J-470JE	1	435034704R1	
U005	R7009	C-CARBON R	RN72K1J-470JE	1	435034704R1	
U005	R7010	C-CARBON R	RN72K1J-470JE	1	435034704R1	
U005	R7011	C-CARBON R	RN72K1J-470JE	1	435034704R1	
U005	R7012	C-CARBON R	RN72K1J-470JE	1	435034704R1	
U005	R7013	C-CARBON R	RN72K1J-470JE	1	435034704R1	
U005	R7014	C-CARBON R	RN72K1J-470JE	1	435034704R1	
U005	R7015	C-CARBON R	RN72K1J-470JE	1	435034704R1	
U005	R7016	C-CARBON R	RN72K1J-470JE	1	435034704R1	
U005	R7018	C-CARBON R	RN72K1J-470JE	1	435034704R1	
U005	R7019	C-CARBON R	RN72K1J-470JE	1	435034704R1	
U005	R7020	C-CARBON R	RN72K1J-470JE	1	435034704R1	
U005	R7021	C-CARBON R	RN72K1J-470JE	1	435034704R1	
U005	R7022	C-CARBON R	RN72K1J-470JE	1	435034704R1	
U005	R7023	C-CARBON R	RN72K1J-221JE	1	435032214R1	
U005	R7024	C-CARBON R	RN72K1J-221JE	1	435032214R1	

U005	R7025	C-CARBON R	RN72K1J-221JE	1	435032214R1
U005	R7026	C-CARBON R	RN72K1J-470JE	1	435034704R1
U005	R7027	C-CARBON R	RN72K1J-470JE	1	435034704R1
U005	R7028	C-CARBON R	RN72K1J-221JE	1	435032214R1
U005	R7029	C-CARBON R	RN72K1J-221JE	1	435032214R1
U005	R7031	C-CARBON R	RN72K1J-470JE	1	435034704R1
U005	R7039	C-CARBON R	RN72K1J-473JE	1	435034734R1
U005	R7040	C-CARBON R	RN72K1J-102JE	1	435031024R1
U005	R7041	C-CARBON R	RN72K1J-103JE	1	435031034R1
U005	R7042	C-CARBON R	RN72K1J-470JE	1	435034704R1
U005	R7043	C-CARBON R	RN72K1J-273JE	1	435032734R1
U005	R7044	C-CARBON R	RN72K1J-473JE	1	435034734R1
U005	R7046	C-CARBON R	RN72K1J-473JE	1	435034734R1
U005	R7048	C-CARBON R	RN72K1J-473JE	1	435034734R1
U005	R7049	C-CARBON R	RN72K1J-101JE	1	435031014R1
U005	R7051	C-CARBON R	RN72K1J-103JE	1	435031034R1
U005	R7053	C-CARBON R	RN72K1J-224JE	1	435032244R1
U005	R7054	C-CARBON R	RN72K1J-473JE	1	435034734R1
U005	R7055	C-CARBON R	RN72K1J-101JE	1	435031014R1
U005	R7056	C-CARBON R	RN72K1J-103JE	1	435031034R1
U005	R7057	C-CARBON R	RN72K1J-473JE	1	435034734R1
U005	R7058	C-CARBON R	RN72K1J-473JE	1	435034734R1
U005	R7059	C-CARBON R	RN72K1J-473JE	1	435034734R1
U005	R7060	C-CARBON R	RN72K1J-473JE	1	435034734R1
U005	R7061	C-CARBON R	RN72K1J-473JE	1	435034734R1
U005	R7062	C-CARBON R	RN72K1J-473JE	1	435034734R1
U005	R7063	C-CARBON R	RN72K1J-103JE	1	435031034R1
U005	R7064	C-CARBON R	RN72K1J-102JE	1	435031024R1
U005	R7065	C-CARBON R	RN72K1J-473JE	1	435034734R1
U005	R7066	C-CARBON R	RN72K1J-472JE	1	435034724R1
U005	R7067	C-CARBON R	RN72K1J-473JE	1	435034734R1
U005	R7068	C-CARBON R	RN72K1J-473JE	1	435034734R1
U005	R7069	C-CARBON R	RN72K1J-473JE	1	435034734R1
U005	R7070	C-CARBON R	RN72K1J-473JE	1	435034734R1
U005	R7071	C-CARBON R	RN72K1J-473JE	1	435034734R1
U005	R7072	C-CARBON R	RN72K1J-473JE	1	435034734R1
U005	R7073	C-CARBON R	RN72K1J-473JE	1	435034734R1
U005	R7076	C-CARBON R	RN72K1J-473JE	1	435034734R1
U005	R7077	C-CARBON R	RN72K1J-473JE	1	435034734R1

U005	R7078	C-CARBON R	RN72K1J-473JE	1	435034734R1
U005	R7079	C-CARBON R	RN72K1J-473JE	1	435034734R1
U005	R7080	C-CARBON R	RN72K1J-272JE	1	435032724R1
U005	R7081	C-CARBON R	RN72K1J-272JE	1	435032724R1
U005	R7082	C-CARBON R	RN72K1J-272JE	1	435032724R1
U005	R7085	C-CARBON R	RN72K1J-272JE	1	435032724R1
U005	R7086	C-CARBON R	RN72K1J-224JE	1	435032244R1
U005	R7087	C-CARBON R	RN72K1J-221JE	1	435032214R1
U005	R7088	C-CARBON R	RN72K1J-103JE	1	435031034R1
U005	R7089	C-CARBON R	RN72K1J-103JE	1	435031034R1
U005	R7090	C-CARBON R	RN72K1J-103JE	1	435031034R1
U005	R7091	C-CARBON R	RN72K1J-103JE	1	435031034R1
U005	R7092	C-CARBON R	RN72K1J-103JE	1	435031034R1
U005	R7093	C-CARBON R	RN72K1J-470JE	1	435034704R1
U005	R7094	C-CARBON R	RN72K1J-221JE	1	435032214R1
U005	R7096	C-CARBON R	RN72K1J-470JE	1	435034704R1
U005	R7097	C-CARBON R	RN72K1J-102JE	1	435031024R1
U005	R7098	C-CARBON R	RN72K1J-221JE	1	435032214R1
U005	R7099	C-CARBON R	RN72K1J-221JE	1	435032214R1
U005	R7100	C-CARBON R	RN72K1J-221JE	1	435032214R1
U005	R7101	C-CARBON R	RN72K1J-221JE	1	435032214R1
U005	R7102	C-CARBON R	RN72K1J-221JE	1	435032214R1
U005	R7103	C-CARBON R	RN72K1J-470JE	1	435034704R1
U005	R7104	C-CARBON R	RN72K1J-221JE	1	435032214R1
U005	R7105	C-CARBON R	RN72K1J-470JE	1	435034704R1
U005	R7107	C-CARBON R	RN72K1J-221JE	1	435032214R1
U005	R7108	C-CARBON R	RN72K1J-221JE	1	435032214R1
U005	R7110	C-CARBON R	RN72K1J-221JE	1	435032214R1
U005	R7111	C-CARBON R	RN72K1J-470JE	1	435034704R1
U005	R7113	C-CARBON R	RN72K1J-102JE	1	435031024R1
U005	R7115	C-CARBON R	RN72K1J-103JE	1	435031034R1
U005	R7116	C-CARBON R	RN72K1J-470JE	1	435034704R1
U005	R7117	C-CARBON R	RN72K1J-221JE	1	435032214R1
U005	R7119	C-CARBON R	RN72K1J-221JE	1	435032214R1
U005	R7122	C-CARBON R	RN72K1J-221JE	1	435032214R1
U005	R7124	C-CARBON R	RN72K1J-473JE	1	435034734R1
U005	R7125	C-CARBON R	RN72K1J-221JE	1	435032214R1
U005	R7126	C-CARBON R	RN72K1J-470JE	1	435034704R1
U005	R7127	C-CARBON R	RN72K1J-473JE	1	435034734R1

U005	R7128	C-CARBON R	RN72K1J-221JE	1	435032214R1	
U005	R7129	C-CARBON R	RN72K1J-470JE	1	435034704R1	
U005	R7130	C-CARBON R	RN72K1J-221JE	1	435032214R1	
U005	R7131	C-CARBON R	RN72K1J-221JE	1	435032214R1	<MMA, MMB, MMP, MMQ, MMR>
U005	R7132	C-CARBON R	RN72K1J-102JE	1	435031024R1	
U005	R7133	C-CARBON R	RN72K1J-473JE	1	435034734R1	
U005	R7134	C-CARBON R	RN72K1J-473JE	1	435034734R1	
U005	R7135	C-CARBON R	RN72K1J-221JE	1	435032214R1	
U005	R7136	C-CARBON R	RN72K1J-470JE	1	435034704R1	
U005	R7137	C-CARBON R	RN72K1J-470JE	1	435034704R1	
U005	R7138	C-CARBON R	RN72K1J-221JE	1	435032214R1	
U005	R7140	C-CARBON R	RN72K1J-221JE	1	435032214R1	
U005	R7141	C-CARBON R	RN72K1J-470JE	1	435034704R1	
U005	R7142	C-CARBON R	RN72K1J-102JE	1	435031024R1	
U005	R7143	C-CARBON R	RN72K1J-470JE	1	435034704R1	
U005	R7144	C-CARBON R	RN72K1J-102JE	1	435031024R1	
U005	R7145	C-CARBON R	RN72K1J-221JE	1	435032214R1	
U005	R7146	C-CARBON R	RN72K1J-221JE	1	435032214R1	
U005	R7147	C-CARBON R	RN72K1J-470JE	1	435034704R1	
U005	R7148	METAL R	RNU1WCJ-1.5	1	453630154T	
U005	R7149	METAL R	RNU1WCJ-1.5	1	453630154T	
U005	R7150	C-CARBON R	RN72K1J-473JE	1	435034734R1	
U005	R7151	C-CARBON R	RN72K1J-470JE	1	435034704R1	
U005	R7152	C-CARBON R	RN72K1J-102JE	1	435031024R1	
U005	R7153	C-CARBON R	RN72K1J-221JE	1	435032214R1	
U005	R7154	C-CARBON R	RN72K1J-470JE	1	435034704R1	
U005	R7155	C-CARBON R	RN72K1J-221JE	1	435032214R1	
U005	R7156	C-CARBON R	RN72K1J-470JE	1	435034704R1	
U005	R7157	C-CARBON R	RN72K1J-000JE	1	435030004R1	
U005	R7158	C-CARBON R	RN72K1J-470JE	1	435034704R1	
U005	R7160	C-CARBON R	RN72K1J-000JE	1	435030004R1	
U005	R7161	C-CARBON R	RN72K1J-470JE	1	435034704R1	
U005	R7162	C-CARBON R	RN72K1J-103JE	1	435031034R1	
U005	R7163	C-CARBON R	RN72K1J-470JE	1	435034704R1	
U005	R7164	C-CARBON R	RN72K1J-103JE	1	435031034R1	<MDC, MDF>
U005	R7165	C-CARBON R	RN72K1J-470JE	1	435034704R1	
U005	R7166	C-CARBON R	RN72K1J-472JE	1	435034724R1	
U005	R7167	C-CARBON R	RN72K1J-470JE	1	435034704R1	
U005	R7168	C-CARBON R	RN72K1J-102JE	1	435031024R1	

U005	R7169	C-CARBON R	RN72K1J-472JE	1	435034724R1	
U005	R7170	C-CARBON R	RN72K1J-470JE	1	435034704R1	
U005	R7171	C-CARBON R	RN72K1J-472JE	1	435034724R1	
U005	R7172	C-CARBON R	RN72K1J-472JE	1	435034724R1	
U005	R7173	C-CARBON R	RN72K1J-472JE	1	435034724R1	
U005	R7174	C-CARBON R	RN72K1J-472JE	1	435034724R1	
U005	R7176	C-CARBON R	RN72K1J-272JE	1	435032724R1	
U005	R7177	C-CARBON R	RN72K1J-272JE	1	435032724R1	
U005	R7182	C-CARBON R	RN72K1J-103JE	1	435031034R1	
U005	R7183	C-CARBON R	RN72K1J-103JE	1	435031034R1	<MMA, MMB, MMP, MMQ, MMR>
U005	R7183	C-CARBON R	RN72K1J-333JE	1	435033334R1	<MDC, MDF>
U005	R7184	C-CARBON R	RN72K1J-272JE	1	435032724R1	
U005	R7186	C-CARBON R	RN72K1J-473JE	1	435034734R1	
U005	R7187	C-CARBON R	RN72K1J-473JE	1	435034734R1	
U005	R7188	C-CARBON R	RN72K1J-473JE	1	435034734R1	
U005	R7189	C-CARBON R	RN72K1J-272JE	1	435032724R1	
U005	R7190	C-CARBON R	RN72K1J-272JE	1	435032724R1	
U005	R7191	C-CARBON R	RN72K1J-272JE	1	435032724R1	
U005	R7192	C-CARBON R	RN72K1J-272JE	1	435032724R1	
U005	R7194	C-CARBON R	RN72K1J-272JE	1	435032724R1	
U005	R7195	C-CARBON R	RN72K1J-470JE	1	435034704R1	
U005	R7196	C-CARBON R	RN72K1J-102JE	1	435031024R1	
U005	R7197	C-CARBON R	RN72K1J-103JE	1	435031034R1	
U005	R7198	C-CARBON R	RN72K1J-000JE	1	435030004R1	
U005	R7199	C-CARBON R	RN72K1J-470JE	1	435034704R1	
U005	R7200	C-CARBON R	RN72K1J-221JE	1	435032214R1	
U005	R7201	C-CARBON R	RN72K1J-470JE	1	435034704R1	<MMA, MMB, MMP, MMQ, MMR>
U005	R7202	C-CARBON R	RN72K1J-470JE	1	435034704R1	
U005	R7203	C-CARBON R	RN72K1J-221JE	1	435032214R1	
U005	R7204	C-CARBON R	RN72K1J-470JE	1	435034704R1	
U005	R7205	C-CARBON R	RN72K1J-470JE	1	435034704R1	
U005	R7206	C-CARBON R	RN72K1J-470JE	1	435034704R1	
U005	R7207	C-CARBON R	RN72K1J-470JE	1	435034704R1	
U005	R7208	C-CARBON R	RN72K1J-470JE	1	435034704R1	
U005	R7209	C-CARBON R	RN72K1J-103JE	1	435031034R1	
U005	R7210	C-CARBON R	RN72K1J-221JE	1	435032214R1	
U005	R7211	C-CARBON R	RN72K1J-470JE	1	435034704R1	
U005	R7212	C-CARBON R	RN72K1J-332JE	1	435033324R1	
U005	R7213	C-CARBON R	RN72K1J-332JE	1	435033324R1	

U005	R7214	C-CARBON R	RN72K1J-473JE	1	435034734R1	
U005	R7215	C-CARBON R	RN72K1J-473JE	1	435034734R1	
U005	R7216	C-CARBON R	RN72K1J-103JE	1	435031034R1	
U005	R7217	C-CARBON R	RN72K1J-224JE	1	435032244R1	
U005	R7218	C-CARBON R	RN72K1J-224JE	1	435032244R1	
U005	R7219	C-CARBON R	RN72K1J-472JE	1	435034724R1	
U005	R7220	C-CARBON R	RN72K1J-472JE	1	435034724R1	
U005	R7221	C-CARBON R	RN72K1J-273JE	1	435032734R1	
U005	R7222	C-CARBON R	RN72K1J-273JE	1	435032734R1	
U005	R7224	C-CARBON R	RN72K1J-473JE	1	435034734R1	
U005	R7225	C-CARBON R	RN72K1J-470JE	1	435034704R1	
U005	R7227	C-CARBON R	RN72K1J-470JE	1	435034704R1	
U005	R7228	C-CARBON R	RN72K1J-470JE	1	435034704R1	
U005	R7229	C-CARBON R	RN72K1J-470JE	1	435034704R1	
U005	R7230	C-CARBON R	RN72K1J-470JE	1	435034704R1	
U005	R7231	C-CARBON R	RN72K1J-103JE	1	435031034R1	
U005	R7233	C-CARBON R	RN72K1J-103JE	1	435031034R1	
U005	R7234	C-CARBON R	RN72K1J-103JE	1	435031034R1	<MDC, MDF>
U005	R7235	C-CARBON R	RN72K1J-473JE	1	435034734R1	
U005	R7236	C-CARBON R	RN72K1J-102JE	1	435031024R1	
U005	R7237	C-CARBON R	RN72K1J-473JE	1	435034734R1	
U005	R7238	C-CARBON R	RN72K1J-470JE	1	435034704R1	
U005	R7239	C-CARBON R	RN72K1J-103JE	1	435031034R1	
U005	R7240	C-CARBON R	RN72K1J-103JE	1	435031034R1	
U005	R7241	C-CARBON R	RN72K1J-470JE	1	435034704R1	
U005	R7242	C-CARBON R	RN72K1J-221JE	1	435032214R1	
U005	R7243	C-CARBON R	RN72K1J-000JE	1	435030004R1	
U005	R7244	C-CARBON R	RN72K1J-470JE	1	435034704R1	
U005	R7245	C-CARBON R	RN72K1J-273JE	1	435032734R1	
U005	R7246	C-CARBON R	RN72K1J-470JE	1	435034704R1	
U005	R7247	C-CARBON R	RN72K1J-470JE	1	435034704R1	
U005	R7248	C-CARBON R	RN72K1J-470JE	1	435034704R1	
U005	R7249	C-CARBON R	RN72K1J-470JE	1	435034704R1	
U005	R7250	C-CARBON R	RN72K1J-470JE	1	435034704R1	
U005	R7251	C-CARBON R	RN72K1J-100JE	1	435031004R1	
U005	R7252	C-CARBON R	RN72K1J-823JE	1	435038234R1	
U005	R7253	C-CARBON R	RN72K1J-470JE	1	435034704R1	
U005	R7254	C-CARBON R	RN72K1J-470JE	1	435034704R1	
U005	R7255	C-CARBON R	RN72K1J-000JE	1	435030004R1	

U005	R7256	C-CARBON R	RN72K1J-000JE	1	435030004R1	
U005	R7260	C-CARBON R	RN72K1J-473JE	1	435034734R1	
U005	R7261	C-CARBON R	RN72K1J-473JE	1	435034734R1	
U005	R7900	C-CARBON R	RN72K1J-000JE	1	435030004R1	
U005	R7901	C-CARBON R	RN72K1J-123JE	1	435031234R1	
U005	R7903	C-CARBON R	RN72K1J-104JE	1	435031044R1	
U005	R7904	C-CARBON R	RN72K1J-223JE	1	435032234R1	
U005	R7905	C-CARBON R	RN72K1J-223JE	1	435032234R1	
U005	R7907	C-CARBON R	RN72K1J-105JE	1	435031054R1	
U005	R7908	C-CARBON R	RN72K1J-223JE	1	435032234R1	
U005	R7909	C-CARBON R	RN72K1J-223JE	1	435032234R1	
U005	R7912	C-CARBON R	RN72K1J-104JE	1	435031044R1	
U005	R7914	C-CARBON R	RN72K1J-123JE	1	435031234R1	
U005	R7915	C-CARBON R	RN72K1J-123JE	1	435031234R1	
U005	R7916	C-CARBON R	RN72K1J-000JE	1	435030004R1	
U005	R7917	C-CARBON R	RN72K1J-123JE	1	435031234R1	
U005	R7930	C-CARBON R	RN72K1J-750JE	1	435037504R1	
U005	R7931	C-CARBON R	RN72K1J-220JE	1	435032204R1	
U005	R7932	C-CARBON R	RN72K1J-222JE	1	435032224R1	
U005	R7933	THERMISTOR	FUSB090F	1	4000252T	
U005	R7934	C-CARBON R	RN72K1J-220JE	1	435032204R1	
U005	R7935	C-CARBON R	RN72K1J-220JE	1	435032204R1	
U005	R7936	C-CARBON R	RN72K1J-103JE	1	435031034R1	
U005	R7937	C-CARBON R	RN72K1J-103JE	1	435031034R1	
U005	R7938	C-CARBON R	RN72K1J-471JE	1	435034714R1	
U005	R7939	C-CARBON R	RN72K1J-103JE	1	435031034R1	
U005	R7940	C-CARBON R	RN72K1J-103JE	1	435031034R1	
U005	R7941	C-CARBON R	RN72K1J-471JE	1	435034714R1	
U005	R7942	C-CARBON R	RN72K1J-101JE	1	435031014R1	
U005	R7943	C-CARBON R	RN72K1J-101JE	1	435031014R1	
U005	[SW TRM]					
U005	D2021A	HEAT SINK	(S3)	1	27160357	
U005	D2021B	SCREW	3P+10FN(3BC)	1	82143010GR	
U005	F2000A	FUSE HOL	NSCT-1P2031	1	25052133T	!
U005	F2000B	FUSE HOL	NSCT-1P2031	1	25052133T	!
U005	F2001A	FUSE HOL	NSCT-1P2031	1	25052133T	!
U005	F2001B	FUSE HOL	NSCT-1P2031	1	25052133T	!
U005	F2001C	FUSE LABEL	3.15A125V	1	29363739	
U005	JL104B	WIRE TRAP	NPLG-9P592	1	25055630	

U005	JL2100A	WIRE HOL	NSCT-5P896	1	25051109
U005	JL901B	WIRE TRAP	NPLG-5P588	1	25055626
U005	P1008B	PLUG	IMSA-9142B-22A	1	25056601
U005	P103B	SOCKET	NSCT-11P2104	1	25052207
U005	P1307	TRM-423(SCREW)	NEJITANSI ST3	1	25060495
U005	P1309	PIN JACK	NPJ-3PDO656	1	25045884
U005	P1309 or	PIN JACK	NPJ-3PDO465	(1)	25045666
U005	P2020B	PLUG	NPLG-5P119	1	25055135
U005	P2101A	SOCKET	NSCT-19P2112	1	25052215
U005	P2102A	PLUG	IMSA-9142B-16A	1	25056598
U005	P2102B	SOCKET	IMSA-9142S-16A	1	25053230
U005	P2103A	PLUG	IMSA-9142B-18A	1	25056599
U005	P2103B	SOCKET	IMSA-9142S-18A	1	25053231
U005	P2107	RETAINER (JOINT)		1	27142069
U005	P2108	PIN JACK	NPJ-9PDGLRGLRGLR563	1	25045781
U005	P2108 or	PIN JACK	NPJ-9PDGLR519	(1)	25045731
U005	P2110	SOCKET	MDS-09P-V-01(DSUB9P)	1	25053363
U005	P2114	TRM-423(SCREW)	NEJITANSI ST3	1	25060495
U005	P2115	PIN JACK	NPJ-10PDBY621	1	25045842
U005	P2115 or	PIN JACK	NPJ-10PDBY478	(1)	25045681
U005	P2116	ST JACK	MSJ-035-52E-B-AG-PBT	1	25045947
U005	P2116 or	ST JACK	HSJ1002-01-6020	(1)	25045647
U005	P2118	PIN JACK	NPJ-10PDBY621	1	25045842
U005	P2118 or	PIN JACK	NPJ-10PDBY478	(1)	25045681
U005	P2119	ST JACK	MSJ-035-52E-B-AG-PBT	1	25045947
U005	P2119 or	ST JACK	HSJ1002-01-6020	(1)	25045647
U005	P2121	PIN JACK	NPJ-10PDBY621	1	25045842
U005	P2121 or	PIN JACK	NPJ-10PDBY478	(1)	25045681
U005	P3605B	SOCKET	IMSA-9142S-18A	1	25053231
U005	P3607B	SOCKET	IMSA-9142S-16A	1	25053230
U005	P3608B	SOCKET	IMSA-9142S-18A	1	25053231
U005	P4510B	SOCKET	IMSA-9142S-20A	1	25053232
U005	P4511B	PLUG	NPLG-19P0974	1	25056024
U005	P6601B	PLUG	IMSA-9142B-16A	1	25056598
U005	P6605B	PLUG	IMSA-9142B-22A	1	25056601
U005	P7001A	SOCKET	IMSA-9618S-09A	1	25053334R2
U005	P7008	ST JACK	MSJ-035-22	1	25045887
U005	P7077	TRM-423(SCREW)	NEJITANSI ST3	1	25060495
U005	P7501A	PLUG	A2545WR2-2x20P(IDE40SIDE)	1	25056643

U005	P7900A	PLUG	IMSA-9142B-22A	1	25056601	
U005	P7900B	SOCKET	IMSA-9142S-22A	1	25053233	
U005	P7901	SOCKET	NNA1-01-006	1	25053357	
U005	[TUNER UNIT]					
U005	U1301	PHT CP	JSR1165-001receiving	1	24120143	
U005	U1302	PHT CP	JSR1165-001receiving	1	24120143	
U005	U2100	REMO SENS	KSM-603TE5B	1	24130019	
U006	U006	U006 + U0060 + U0061 + U0062 + U0063 + U0064 + U0065 + U0066 + U0067 + U0068 + U0069 + U00610 + U00611 + U00612				
U006	U0060	Display board ass'y	BADIS-0803-1A/ 1B			
U006	U0061	Switch board ass'y	BASW-0804-1A/ 1B			
U006	U0062	Digital power supply board ass'y	BAPS-0805-1A/ 1B			
U006	U0063	Phone jack board ass'y	BAETC-0806-1A/ 1B			
U006	U0064	Front opt terminal board ass'y	BAETC-0807-1A/ 1B			
U006	U0065	Spacer board ass'y	BAETC-0808-1A/ 1B			
U006	U0066	Volume board ass'y	BAETC-0809-1A/ 1B			
U006	U0067	Setup mic jack board ass'y	BAETC-0810-1A/ 1B			
U006	U0068	Spacer board	BAETC-0811-1A/ 1B			
U006	U0069	Spacer board	BAETC-0812-1A/ 1B			
U006	U00610	Spacer board	BAETC-0813-1A/ 1B			
U006	U00611	Power switch board ass'y	BAETC-0814-1B			
U006	U00612	Spacer board ass'y	BAETC-0815-1B			
U006	CIRCUIT NO. PART NAME DESCRIPTION Q'TY PART NO. (SN) REMARKS					
U006	[SEMI CONDUCTOR]					
U006	D7500	ZENER D	UDZS8.2B	1	224550820R2	
U006	D7506	LED	SCPW3617E-D-A0	1	225500	
U006	D7506A	HOLDER	(LED)LH-5-5	1	27191312	
U006	D7510	LED	SCPW3617E-D-A0	1	225500	
U006	D7510A	HOLDER	(LED)LH-5-5	1	27191312	
U006	D7511	LED	SLI-343Y8C-3F	1	225491	
U006	D7520	C-DIODE	1SS355	1	223269R2	
U006	D7520 or	C-DIODE	1SS352	(1)	223234R2	
U006	D7520 or	C-DIODE	MA2J111	(1)	223279R2	
U006	D7520 or	C-DIODE	KDS4148U	(1)	223283R2	
U006	D7521	C-DIODE	1SS355	1	223269R2	
U006	D7521 or	C-DIODE	1SS352	(1)	223234R2	
U006	D7521 or	C-DIODE	MA2J111	(1)	223279R2	
U006	D7521 or	C-DIODE	KDS4148U	(1)	223283R2	

U006	D7522	C-DIODE	ISS355	1	223269R2
U006	D7522 or	C-DIODE	ISS352	(1)	223234R2
U006	D7522 or	C-DIODE	MA2J111	(1)	223279R2
U006	D7522 or	C-DIODE	KDS4148U	(1)	223283R2
U006	D7523	C-DIODE	ISS355	1	223269R2
U006	D7523 or	C-DIODE	ISS352	(1)	223234R2
U006	D7523 or	C-DIODE	MA2J111	(1)	223279R2
U006	D7523 or	C-DIODE	KDS4148U	(1)	223283R2
U006	D7530	ZENER D	UDZS5.1B	1	224550510R2
U006	D7560	C-DIODE	ISS355	1	223269R2
U006	D7560 or	C-DIODE	ISS352	(1)	223234R2
U006	D7560 or	C-DIODE	MA2J111	(1)	223279R2
U006	D7560 or	C-DIODE	KDS4148U	(1)	223283R2
U006	D7561	C-DIODE	ISS355	1	223269R2
U006	D7561 or	C-DIODE	ISS352	(1)	223234R2
U006	D7561 or	C-DIODE	MA2J111	(1)	223279R2
U006	D7561 or	C-DIODE	KDS4148U	(1)	223283R2
U006	D7570	SPCF D	TSAL5300	1	225488
U006	D7570A	HOLDER	(LED)LH-5-5	1	27191312
U006	D7580	C-DIODE	ISS355	1	223269R2
U006	D7580 or	C-DIODE	ISS352	(1)	223234R2
U006	D7580 or	C-DIODE	MA2J111	(1)	223279R2
U006	D7580 or	C-DIODE	KDS4148U	(1)	223283R2
U006	D7581	C-DIODE	ISS355	1	223269R2
U006	D7581 or	C-DIODE	ISS352	(1)	223234R2
U006	D7581 or	C-DIODE	MA2J111	(1)	223279R2
U006	D7581 or	C-DIODE	KDS4148U	(1)	223283R2
U006	D7582	C-DIODE	ISS355	1	223269R2
U006	D7582 or	C-DIODE	ISS352	(1)	223234R2
U006	D7582 or	C-DIODE	MA2J111	(1)	223279R2
U006	D7582 or	C-DIODE	KDS4148U	(1)	223283R2
U006	D7583	C-DIODE	ISS355	1	223269R2
U006	D7583 or	C-DIODE	ISS352	(1)	223234R2
U006	D7583 or	C-DIODE	MA2J111	(1)	223279R2
U006	D7583 or	C-DIODE	KDS4148U	(1)	223283R2
U006	D7591	LED	SCB3318E-D2	1	225487
U006	D7591A	HOLDER	(LED)LH-5-5	1	27191312
U006	D9306	ZENER D	UDZS22B	1	224552200R2
U006	D9310	ZENER D	UDZS22B	1	224552200R2

U006	D9312	DIODE	RL1N4003	1	22380260T
U006	D9313	DIODE	RL1N4003	1	22380260T
U006	D9314	DIODE	RL1N4003	1	22380260T
U006	D9315	DIODE	RL1N4003	1	22380260T
U006	Q7501	FL TUBE	16-BT-165GINK	1	212276
U006	Q7501A	HOLDER	(FL)	1	27191303
U006	Q7502	TR	2SC2712-GR	1	2213145R2
U006	Q7503	TR	2SC2712-GR	1	2213145R2
U006	Q7506	TR	DTC123JKA	1	2216690R2
U006	Q7508	IC	NJM2505AF	1	22242490R2
U006	Q7510	TR	2SC2712-GR	1	2213145R2
U006	Q7530	IC	NJM4580M-D	1	22241448R2
U006	Q7532	TR	RN1441	1	2215410R2
U006	Q7533	TR	RN2403	1	2214540R2
U006	Q7533 or	TR	KRA103S	(1)	2216230R2
U006	Q7534	IC	NJM4580M-D	1	22241448R2
U006	Q7540	TR	DTA123JKA	1	2214090R2
U006	Q7591	TR	DTC123JKA	1	2216690R2
U006	Q9301	TR	2SC1815-GR	1	2211255T
U006	[TRANS COIL]				
U006	L7520	CHOKO COIL	LBC2518T470M	1	231364M470R2
U006	L7521	EMIFIL	BK1608LM182-T	1	230958R1
U006	L7522	EMIFIL	BK1608LM182-T	1	230958R1
U006	L7530	CHOKO COIL	LBC2518T2R2M	1	231364M022R2
U006	L7580	CHOKO COIL	LBC2518T2R2M	1	231364M022R2
U006	L7581	CHOKO COIL	LBC2518T2R2M	1	231364M022R2
U006	L7582	CHOKO COIL	LBC2518T2R2M	1	231364M022R2
U006	[CAPACITOR]				
U006	C7501	C-CERA C	CK725B1H-223K1	1	332102235R1
U006	C7502	C-CERA C	CK725F1E-104Z1	1	332161040R1
U006	C7503	C-CERA C	CK725F1E-104Z1	1	332161040R1
U006	C7504	C-CERA C	CK725B1H-473K1	1	332104735R1
U006	C7505	C-CERA C	CK725B1H-473K1	1	332104735R1
U006	C7506	ELECT C	CE04W50V-33M	1	355783309T
U006	C7507	C-CERA C	CK725F1H-104Z1	1	332151040R1
U006	C7511	C-CERA C	CC725CH1H-221J1	1	342102214R1
U006	C7515	C-CERA C	CK725F1E-104Z1	1	332161040R1
U006	C7516	C-CERA C	CK725B1H-103K1	1	332101035R1
U006	C7517	C-CERA C	CK725B1H-103K1	1	332101035R1

U006	C7518	ELECT C	CE04W6.3V-100M	1	355721019T
U006	C7520	C-CERA C	CK725F1E-104Z1	1	332161040R1
U006	C7521	UTSP C	CE04W10V-100M(UTSP)	1	397531017T
U006	C7522	C-CERA C	CC725CH1H-221J1	1	342102214R1
U006	C7523	C-CERA C	CC725CH1H-221J1	1	342102214R1
U006	C7524	C-CERA C	CK725B1H-102K1	1	332101025R1
U006	C7525	C-CERA C	CC725CH1H-470J1	1	342104704R1
U006	C7526	ELECT C	CE04W6.3V-220M	1	355722219T
U006	C7527	ELECT C	CE04W6.3V-220M	1	355722219T
U006	C7528	C-CERA C	CC725CH1H-470J1	1	342104704R1
U006	C7529	C-CERA C	CC725CH1H-470J1	1	342104704R1
U006	C7530	C-CERA C	CK725F1E-104Z1	1	332161040R1
U006	C7531	ELECT C	CE04W6.3V-100M	1	355721019T
U006	C7533	ELECT C	CE04W35V-47M	1	355764709T
U006	C7534	ELECT C	CE04W16V-47M	1	355744709T
U006	C7535	ELECT C	CE04W35V-10M(S)	1	353761009T
U006	C7536	C-CERA C	CC725CH1H-101J1	1	342101014R1
U006	C7537	C-CERA C	CC725CH1H-330J1	1	342103304R1
U006	C7538	ELECT C	CE04W35V-10M(MA)	1	355761009T
U006	C7539	ELECT C	CE04W35V-10M(S)	1	353761009T
U006	C7540	ELECT C	CE04W35V-10M(S)	1	353761009T
U006	C7541	ELECT C	CE04W35V-10M(S)	1	353761009T
U006	C7542	ELECT C	CE04W35V-10M(S)	1	353761009T
U006	C7543	C-CERA C	CK725B1H-102K1	1	332101025R1
U006	C7544	C-CERA C	CC725CH1H-101J1	1	342101014R1
U006	C7560	ELECT C	CE04W6.3V-220M	1	355722219T
U006	C7561	C-CERA C	CK725B1H-102K1	1	332101025R1
U006	C7562	C-CERA C	CK725B1H-102K1	1	332101025R1
U006	C7580	C-CERA C	CC725CH1H-102J1	1	342101024R1
U006	C7581	C-CERA C	CC725CH1H-102J1	1	342101024R1
U006	C7582	C-CERA C	CC725CH1H-102J1	1	342101024R1
U006	C7583	C-CERA C	CC725CH1H-102J1	1	342101024R1
U006	C9304	VR C	CE04W63V-47M(VR)	1	394674707T
U006	C9305	VR C	CE04W50V-47M(VR)	1	394684707T
U006	C9306	TF C	ECQ-V50V-223J	1	374722234T
U006	[RESISTOR]				
U006	R7500	C-CARBON R	RN72K1J-221JE	1	435032214R1
U006	R7501	C-CARBON R	RN72K1J-221JE	1	435032214R1
U006	R7503	NF CARBON R	R25J-10	1	415471004T

U006	R7504	NF CARBON R	R25J-10	1	415471004T
U006	R7508	C-CARBON R	RN72K1J-101JE	1	435031014R1
U006	R7509	C-CARBON R	RN72K1J-101JE	1	435031014R1
U006	R7511	C-CARBON R	RN72K1J-333JE	1	435033334R1
U006	R7512	C-CARBON R	RN72K1J-333JE	1	435033334R1
U006	R7513	C-CARBON R	RN72K1J-104JE	1	435031044R1
U006	R7514	C-CARBON R	RN72K1J-333JE	1	435033334R1
U006	R7515	C-CARBON R	RN72K1J-104JE	1	435031044R1
U006	R7517	C-CARBON R	RN72K1J-221JE	1	435032214R1
U006	R7519	C-CARBON R	RN72K1J-221JE	1	435032214R1
U006	R7520	C-CARBON R	RN72K1J-221JE	1	435032214R1
U006	R7521	C-CARBON R	RN72K1J-221JE	1	435032214R1
U006	R7523	C-CARBON R	RN72K1J-181JE	1	435031814R1
U006	R7527	C-CARBON R	RN72K1J-181JE	1	435031814R1
U006	R7528	C-CARBON R	RN72K1J-271JE	1	435032714R1
U006	R7529	C-CARBON R	RN72K1J-224JE	1	435032244R1
U006	R7530	C-CARBON R	RN72K1J-103JE	1	435031034R1
U006	R7531	C-CARBON R	RN72K1J-101JE	1	435031014R1
U006	R7532	C-CARBON R	RN72K1J-000JE	1	435030004R1
U006	R7533	C-CARBON R	RN72K1J-103JE	1	435031034R1
U006	R7534	C-CARBON R	RN72K1J-104JE	1	435031044R1
U006	R7535	C-CARBON R	RN72K1J-102JE	1	435031024R1
U006	R7536	C-CARBON R	RN72K1J-333JE	1	435033334R1
U006	R7537	C-CARBON R	RN72K1J-333JE	1	435033334R1
U006	R7538	C-CARBON R	RN72K1J-471JE	1	435034714R1
U006	R7539	C-CARBON R	RN72K1J-470JE	1	435034704R1
U006	R7540	C-CARBON R	RN72K1J-473JE	1	435034734R1
U006	R7541	C-CARBON R	RN72K1J-331JE	1	435033314R1
U006	R7542	C-CARBON R	RN72K1J-331JE	1	435033314R1
U006	R7543	C-CARBON R	RN72K1J-182JE	1	435031824R1
U006	R7544	C-CARBON R	RN72K1J-472JE	1	435034724R1
U006	R7545	C-CARBON R	RN72K1J-103JE	1	435031034R1
U006	R7546	C-CARBON R	RN72K1J-331JE	1	435033314R1
U006	R7547	C-CARBON R	RN72K1J-103JE	1	435031034R1
U006	R7548	C-CARBON R	RN72K1J-224JE	1	435032244R1
U006	R7550	C-CARBON R	RN72K1J-750JE	1	435037504R1
U006	R7551	C-CARBON R	RN72K1J-223JE	1	435032234R1
U006	R7552	C-CARBON R	RN72K1J-223JE	1	435032234R1
U006	R7560	C-CARBON R	RN72K1J-102JE	1	435031024R1

U006	R7561	C-CARBON R	RN72K1J-101JE	1	435031014R1
U006	R7562	C-CARBON R	RN72K1J-105JE	1	435031054R1
U006	R7563	C-CARBON R	RN72K1J-180JE	1	435031804R1
U006	R7564	C-CARBON R	RN72K1J-047JE	1	435030474R1
U006	R7568	C-CARBON R	RN72K1J-220JE	1	435032204R1
U006	R7569	C-CARBON R	RN72K1J-220JE	1	435032204R1
U006	R7570	C-CARBON R	RN72K1J-000JE	1	435030004R1
U006	R7580	METAL O R	RS1WBJ-33	1	443623304T
U006	R7581	METAL O R	RS1WBJ-33	1	443623304T
U006	R7582	C-CARBON R	RN72K1J-000JE	1	435030004R1
U006	R7585	METAL O R	RS1WBJ-4.7K	1	443624724T
U006	R7586	METAL O R	RS1WBJ-4.7K	1	443624724T
U006	R7587	METAL O R	RS1WBJ-4.7K	1	443624724T
U006	R7588	C-CARBON R	RN72K1J-103JE	1	435031034R1
U006	R7589	C-CARBON R	RN72K1J-103JE	1	435031034R1
U006	R7595	C-CARBON R	RN72K1J-471JE	1	435034714R1
U006	R7611	C-CARBON R	RN72K1J-271JE	1	435032714R1
U006	R7612	C-CARBON R	RN72K1J-331JE	1	435033314R1
U006	R7613	C-CARBON R	RN72K1J-471JE	1	435034714R1
U006	R7614	C-CARBON R	RN72K1J-561JE	1	435035614R1
U006	R7615	C-CARBON R	RN72K1J-821JE	1	435038214R1
U006	R7616	C-CARBON R	RN72K1J-122JE	1	435031224R1
U006	R7617	C-CARBON R	RN72K1J-222JE	1	435032224R1
U006	R7618	C-CARBON R	RN72K1J-392JE	1	435033924R1
U006	R7619	C-CARBON R	RN72K1J-123JE	1	435031234R1
U006	R7621	C-CARBON R	RN72K1J-271JE	1	435032714R1
U006	R7622	C-CARBON R	RN72K1J-331JE	1	435033314R1
U006	R7623	C-CARBON R	RN72K1J-471JE	1	435034714R1
U006	R7624	C-CARBON R	RN72K1J-561JE	1	435035614R1
U006	R7625	C-CARBON R	RN72K1J-821JE	1	435038214R1
U006	R7626	C-CARBON R	RN72K1J-122JE	1	435031224R1
U006	R7627	C-CARBON R	RN72K1J-222JE	1	435032224R1
U006	R7628	C-CARBON R	RN72K1J-392JE	1	435033924R1
U006	R7629	C-CARBON R	RN72K1J-123JE	1	435031234R1
U006	R7631	C-CARBON R	RN72K1J-271JE	1	435032714R1
U006	R7632	C-CARBON R	RN72K1J-331JE	1	435033314R1
U006	R7633	C-CARBON R	RN72K1J-471JE	1	435034714R1
U006	R7634	C-CARBON R	RN72K1J-561JE	1	435035614R1
U006	R7635	C-CARBON R	RN72K1J-821JE	1	435038214R1

U006	R7636	C-CARBON R	RN72K1J-122JE	1	435031224R1	
U006	R7637	C-CARBON R	RN72K1J-222JE	1	435032224R1	
U006	R7638	C-CARBON R	RN72K1J-392JE	1	435033924R1	
U006	R7639	C-CARBON R	RN72K1J-123JE	1	435031234R1	
U006	R7641	C-CARBON R	RN72K1J-271JE	1	435032714R1	
U006	R7642	C-CARBON R	RN72K1J-331JE	1	435033314R1	
U006	R7643	C-CARBON R	RN72K1J-471JE	1	435034714R1	
U006	R7644	C-CARBON R	RN72K1J-561JE	1	435035614R1	
U006	R7645	C-CARBON R	RN72K1J-821JE	1	435038214R1	
U006	R7646	C-CARBON R	RN72K1J-122JE	1	435031224R1	
U006	R7647	C-CARBON R	RN72K1J-222JE	1	435032224R1	
U006	R7648	C-CARBON R	RN72K1J-392JE	1	435033924R1	
U006	R7649	C-CARBON R	RN72K1J-123JE	1	435031234R1	
U006	R9305	C-CARBON R	RN72K1J-562JE	1	435035624R1	
U006	R9307	C-CARBON R	RN72K1J-333JE	1	435033334R1	
U006	R9308	METAL R	RNU1/2WCJ-0.1	1	453531094T	
U006	R9310	METAL O R	RS1/2WBJ-33	1	443523304T	
U006	[SW TRM]					
U006	JL4103B	SOCKET	NSCT-5P97	1	25050269	
U006	JL7510A	WIRE HOL	NSCT-7P878	1	25051091	
U006	JL7510B	WIRE TRAP	NPLG-7P590	1	25055628	
U006	JL7560A	WIRE HOL	NSCT-3P874	1	25051087	
U006	JL7560B	WIRE HOL	NSCT-3P874	1	25051087	
U006	JL7590A	WIRE HOL	NSCT-5P876	1	25051089	
U006	JL7590B	WIRE HOL	NSCT-5P876	1	25051089	
U006	JL7592A	WIRE HOL	NSCT-3P874	1	25051087	
U006	JL7592B	WIRE HOL	NSCT-3P874	1	25051087	
U006	JL9303A	WIRE HOL	NSCT-5P876	1	25051089	
U006	JL9303B	WIRE TRAP	NPLG-5P588	1	25055626	
U006	P7501B	PLUG	A2545WR2-2x20P(IDE40SIDE)	1	25056643	
U006	P7522	PIN JACK	NPJ-3PDB720	1	25045957	
U006	P7530	ST JACK	MSJ-035-05C B AG SR type	1	25045879	
U006	P7580	ST JACK	MSJ-064-05A SR	1	25045783	
U006	P7582	RETAINER	MET37-0002	1	27142009T	
U006	P9008B	PLUG	NPLG-2P631	1	25055675	<MMA, MMB, MMP, MMQ, MMR>
U006	P9301A	PLUG	NPLG-6P120	1	25055136	
U006	S7501	R ENCODE	EC12E2425WITH WASHER	1	25065655W	
U006	S7611	PUSH SW	NPS-111-S681	1	25035718T	
U006	S7611 or	PUSH SW	NPS-111-S677	(1)	25035714T	

U006	S7612	PUSH SW	NPS-111-S681	1	25035718T
U006	S7612 or	PUSH SW	NPS-111-S677	(1)	25035714T
U006	S7613	PUSH SW	NPS-111-S681	1	25035718T
U006	S7613 or	PUSH SW	NPS-111-S677	(1)	25035714T
U006	S7614	PUSH SW	NPS-111-S681	1	25035718T
U006	S7614 or	PUSH SW	NPS-111-S677	(1)	25035714T
U006	S7616	PUSH SW	NPS-111-S681	1	25035718T
U006	S7616 or	PUSH SW	NPS-111-S677	(1)	25035714T
U006	S7617	PUSH SW	NPS-111-S681	1	25035718T
U006	S7617 or	PUSH SW	NPS-111-S677	(1)	25035714T
U006	S7618	PUSH SW	NPS-111-S681	1	25035718T
U006	S7618 or	PUSH SW	NPS-111-S677	(1)	25035714T
U006	S7619	PUSH SW	NPS-111-S681	1	25035718T
U006	S7619 or	PUSH SW	NPS-111-S677	(1)	25035714T
U006	S7620	PUSH SW	NPS-111-S681	1	25035718T
U006	S7620 or	PUSH SW	NPS-111-S677	(1)	25035714T
U006	S7621	PUSH SW	NPS-111-S681	1	25035718T
U006	S7621 or	PUSH SW	NPS-111-S677	(1)	25035714T
U006	S7622	PUSH SW	NPS-111-S681	1	25035718T
U006	S7622 or	PUSH SW	NPS-111-S677	(1)	25035714T
U006	S7623	PUSH SW	NPS-111-S681	1	25035718T
U006	S7623 or	PUSH SW	NPS-111-S677	(1)	25035714T
U006	S7624	PUSH SW	NPS-111-S681	1	25035718T
U006	S7624 or	PUSH SW	NPS-111-S677	(1)	25035714T
U006	S7625	PUSH SW	NPS-111-S681	1	25035718T
U006	S7625 or	PUSH SW	NPS-111-S677	(1)	25035714T
U006	S7626	PUSH SW	NPS-111-S681	1	25035718T
U006	S7626 or	PUSH SW	NPS-111-S677	(1)	25035714T
U006	S7627	PUSH SW	NPS-111-S681	1	25035718T
U006	S7627 or	PUSH SW	NPS-111-S677	(1)	25035714T
U006	S7629	PUSH SW	NPS-111-S681	1	25035718T
U006	S7629 or	PUSH SW	NPS-111-S677	(1)	25035714T
U006	S7630	PUSH SW	NPS-111-S681	1	25035718T
U006	S7630 or	PUSH SW	NPS-111-S677	(1)	25035714T
U006	S7631	PUSH SW	NPS-111-S681	1	25035718T
U006	S7631 or	PUSH SW	NPS-111-S677	(1)	25035714T
U006	S7632	PUSH SW	NPS-111-S681	1	25035718T
U006	S7632 or	PUSH SW	NPS-111-S677	(1)	25035714T
U006	S7633	PUSH SW	NPS-111-S681	1	25035718T

U006	S7633 or	PUSH SW	NPS-111-S677	(1)	25035714T	
U006	S7634	PUSH SW	NPS-111-S681	1	25035718T	
U006	S7634 or	PUSH SW	NPS-111-S677	(1)	25035714T	
U006	S7635	PUSH SW	NPS-111-S681	1	25035718T	
U006	S7635 or	PUSH SW	NPS-111-S677	(1)	25035714T	
U006	S7636	PUSH SW	NPS-111-S681	1	25035718T	
U006	S7636 or	PUSH SW	NPS-111-S677	(1)	25035714T	
U006	S7637	PUSH SW	NPS-111-S681	1	25035718T	
U006	S7637 or	PUSH SW	NPS-111-S677	(1)	25035714T	
U006	S7638	PUSH SW	NPS-111-S681	1	25035718T	
U006	S7638 or	PUSH SW	NPS-111-S677	(1)	25035714T	
U006	S7639	PUSH SW	NPS-111-S681	1	25035718T	
U006	S7639 or	PUSH SW	NPS-111-S677	(1)	25035714T	
U006	S7640	PUSH SW	NPS-111-S681	1	25035718T	
U006	S7640 or	PUSH SW	NPS-111-S677	(1)	25035714T	
U006	S7641	PUSH SW	NPS-111-S681	1	25035718T	
U006	S7641 or	PUSH SW	NPS-111-S677	(1)	25035714T	
U006	S7642	PUSH SW	NPS-111-S681	1	25035718T	
U006	S7642 or	PUSH SW	NPS-111-S677	(1)	25035714T	
U006	S7643	PUSH SW	NPS-111-S681	1	25035718T	
U006	S7643 or	PUSH SW	NPS-111-S677	(1)	25035714T	
U006	S7644	PUSH SW	NPS-111-S681	1	25035718T	
U006	S7644 or	PUSH SW	NPS-111-S677	(1)	25035714T	
U006	S7645	PUSH SW	NPS-111-S681	1	25035718T	
U006	S7645 or	PUSH SW	NPS-111-S677	(1)	25035714T	
U006	S7646	PUSH SW	NPS-111-S681	1	25035718T	
U006	S7646 or	PUSH SW	NPS-111-S677	(1)	25035714T	
U006	S7647	PUSH SW	NPS-111-S681	1	25035718T	
U006	S7647 or	PUSH SW	NPS-111-S677	(1)	25035714T	
U006	S7648	PUSH SW	NPS-111-S681	1	25035718T	
U006	S7648 or	PUSH SW	NPS-111-S677	(1)	25035714T	
U006	S7649	PUSH SW	NPS-111-S681	1	25035718T	
U006	S7649 or	PUSH SW	NPS-111-S677	(1)	25035714T	
U006	S7650	PUSH SW	NPS-111-S681	1	25035718T	
U006	S7650 or	PUSH SW	NPS-111-S677	(1)	25035714T	
U006	S9000	P SW	NPS-111-L687P(TV-5)	1	25035724	! <MMA, MMB, MMP, MMQ, MMR>
U006	[TUNER UNIT]					
U006	U7520	PHT CP	JSR1321-001	1	24120138	
U006	U7560	REMO SENS	TSOP34338RF1F	1	24130017	

U007	U007	U007	U007	U007	U007	U007
CIRCUIT NO.	PART NAME	DESCRIPTION	Q'TY	PART NO. (SN)	REMARKS	
U007	U007 HDMI board ass'y	BAHDM-0797-1D *				
U007	[SEMI CONDUCTOR]					
U007	D8000	C-DIODE	1	223283R2		
U007	D8000 or	C-DIODE	(1)	223234R2		
U007	D8000 or	C-DIODE	(1)	223279R2		
U007	D8000 or	C-DIODE	(1)	223302R2		
U007	D8001	C-DIODE	1	223283R2		
U007	D8001 or	C-DIODE	(1)	223234R2		
U007	D8001 or	C-DIODE	(1)	223279R2		
U007	D8001 or	C-DIODE	(1)	223302R2		
U007	D8102	C-DIODE	1	223283R2		
U007	D8102 or	C-DIODE	(1)	223234R2		
U007	D8102 or	C-DIODE	(1)	223279R2		
U007	D8102 or	C-DIODE	(1)	223302R2		
U007	D8103	DIODE	1	223285R2		
U007	D8104	ESD D	1	225502R2		
U007	D8105	ESD D	1	225502R2		
U007	D8132	ZENER D	1	224550360R2		
U007	D8454	DIODE	1	223285R2		
U007	D8455	ESD D	1	225502R2		
U007	D8456	ESD D	1	225502R2		
U007	D8701	C-DIODE	1	223283R2		
U007	D8701 or	C-DIODE	(1)	223234R2		
U007	D8701 or	C-DIODE	(1)	223279R2		
U007	D8701 or	C-DIODE	(1)	223302R2		
U007	D8906	DIODE	1	22380367R2		
U007	D8907	DIODE	1	22380367R2		
U007	D8931	DIODE	1	22380367R2		
U007	D8932	C-DIODE	1	223283R2		
U007	D8932 or	C-DIODE	(1)	223234R2		
U007	D8932 or	C-DIODE	(1)	223279R2		
U007	D8932 or	C-DIODE	(1)	223302R2		
U007	D8941	DIODE	1	22380367R2		
U007	D8951	DIODE	1	22380367R2		
U007	D8952	C-DIODE	1	223283R2		
U007	D8952 or	C-DIODE	(1)	223234R2		

U007	D8952 or	C-DIODE	MA2J111	(1)	223279R2	
U007	D8952 or	C-DIODE	MA2J1110GL	(1)	223302R2	
U007	D8961	DIODE	RB050M-30	1	22380367R2	
U007	Q205	IC	TC74VHC157FT	1	22274157ER2TO	
U007	Q3001	IC	D830K013BZKB400Z	1	22242694R3	
U007	Q3002	IC(DSP)	NAND256W3A2BN6E(0425)	1	222W0092R304256	
U007	Q3003	IC	IS42S16160C-7TL	1	22242592R3	
U007	Q3003 or	IC	K4S561632J-UC75	(1)	22242524AR3	
U007	Q3004	IC	IS42S16160C-7TL	1	22242592R3	
U007	Q3004 or	IC	K4S561632J-UC75	(1)	22242524AR3	
U007	Q3005	IC	TC7W32FU	1	22241162R2	
U007	Q3006	IC	S-80127CNMC-JKM-T2	1	22241642R2	
U007	Q3102	IC	BD82065FVJ	1	22242718R2	
U007	Q3103	IC	BU18TD3WG-TR	1	22242716R2	
U007	Q3105	IC	MFI341S2164	1	22242594R2	
U007	Q3106	IC	BU33TD3WG-TR	1	22242715R2	
U007	Q3107	IC	BU33TD3WG-TR	1	22242715R2	
U007	Q3108	IC	KSZ8051RNL	1	22242723R2	
U007	Q3109	IC	XC6220B121PR	1	22242626R2	
U007	Q3110	IC	BD2225G-TR	1	22242743R2	N
U007	Q3202	IC	TC74VHC157FT	1	22274157ER2TO	
U007	Q3204	IC	TC74VHC74FT (EKJ)	1	22274074E1R2TO	
U007	Q3204 or	IC	TC74VHC74FT	(1)	22274074ER2TO	
U007	Q3205	IC	TC7S7404FU	1	22242512R2TO	
U007	Q3206	IC	NJM4580M-D	1	22241448R2	
U007	Q3207	IC	NJM4580M-D	1	22241448R2	
U007	Q3210	IC	TC7WH241FU(TE12L_F)	1	22242076R2TO	
U007	Q3401	IC(DSP2)	W25Q16CVSSIG(0427)	1	222W0118R204277	
U007	Q3403	IC	TC7WHU04FU(TE12L)	1	22242231R2	
U007	Q3404	IC	CS49834A-CQZ/A1	1	22242744R3	
U007	Q3405	IC	TC74VHC125FT	1	22274125ER2TO	
U007	Q3406	IC	K4S641632N-LC60	1	22242603R2	
U007	Q3406 or	IC	EM638165TS-7G	(1)	22242607R2	
U007	Q3408	IC	TC7MBL3245SFT	1	22242539R2TO	
U007	Q3604	IC	PCM1754DBQR	1	22242598R2	
U007	Q8000	IC	88DE2755B0-BIF2C000	1	22242752R3	
U007	Q8010	IC	BU18TD3WG-TR	1	22242716R2	
U007	Q8011	IC	XC6220B151PR	1	22242704R2	
U007	Q8012	IC	TPS51100DGQR	1	22242711R2	

U007	Q8030	IC	TC7WHU04FU(TE12L)	1	22242231R2
U007	Q8031	IC	NC7SZ08P5X_F042	1	22242482R2
U007	Q8032	IC	SN74CB3T3306DCT	1	22242454R2
U007	Q8040	IC(VSP)	W25Q128BVF(0477)	1	222W0116R20477A
U007	Q8041	IC	TC74LCX125FT(EL_K)	1	22274125BR2TO
U007	Q8050	IC	MM3404A50NRE	1	22242701R2
U007	Q8080	IC	NT5CB64M16DP-CF	1	22242736R3
U007	Q8112	TR	2SC2712-GR	1	2213145R2
U007	Q8113	TR	KRA102S	1	2216220R2
U007	Q8131	IC	SN74CB3Q3305PWR	1	22242258R2
U007	Q8132	IC	SII9489CTU	1	22242705R3
U007	Q8134	TR	RN2401(TE85L_F)	1	2214520R2
U007	Q8156	TR ARRAY	UM6K1N	1	226066R2
U007	Q8191	IC	XC6220B121PR	1	22242626R2
U007	Q8201	IC	ADV7844	1	22242696R3
U007	Q8202	IC	K4S641632N-LC60	1	22242603R2
U007	Q8202 or	IC	EM638165TS-7G	(1)	22242607R2
U007	Q8206	IC	BU18TD3WG-TR	1	22242716R2
U007	Q8453	IC	SII9136CTU	1	22242630R3
U007	Q8454	IC	NC7SZ08P5X_F042	1	22242482R2
U007	Q8501	IC	VHD1900EVG	1	22242708R3
U007	Q8502	IC	TC74VCX162827	1	22242395R2
U007	Q8503	IC	TC74VCX162827	1	22242395R2
U007	Q8512	IC	TC74VCX162827	1	22242395R2
U007	Q8513	IC	TC74VCX162827	1	22242395R2
U007	Q8661	TR	RN1401(TE85L_F)	1	2214460R2
U007	Q8662	TR	RN1401(TE85L_F)	1	2214460R2
U007	Q8671	TR	RN1401(TE85L_F)	1	2214460R2
U007	Q8672	TR	RN1401(TE85L_F)	1	2214460R2
U007	Q8682	TR	RN1401(TE85L_F)	1	2214460R2
U007	Q8683	TR	RN1401(TE85L_F)	1	2214460R2
U007	Q8701	IC(HDMI/VIDEO)	TMPM361F10FG(0478)	1	222W0115R304785
U007	Q8931	IC	MP2363DN-LF-Z	1	22242627R2
U007	Q8932	TR	KRC104S	1	2216210R2
U007	Q8933	TR	KRC104S	1	2216210R2
U007	Q8941	IC	MP2363DN-LF-Z	1	22242627R2
U007	Q8942	TR	KRC104S	1	2216210R2
U007	Q8951	IC	MP2363DN-LF-Z	1	22242627R2
U007	Q8952	TR	KRC104S	1	2216210R2

U007	Q8953	TR	KRC104S	1	2216210R2
U007	Q8961	IC	MP2363DN-LF-Z	1	22242627R2
U007	Q8971	IC	BD3552HFN-TR	1	22242663R2
U007	[TRANS COIL]				
U007	L251	CORE	BLM18PG181SN1D	1	2350005R1
U007	L261	CORE	MMZ1608Y601BT	1	2350004R1
U007	L3001	CORE	BLM18PG121SN1D	1	2350006R1
U007	L3002	CORE	BLM18PG121SN1D	1	2350006R1
U007	L3003	CORE	BLM18PG121SN1D	1	2350006R1
U007	L3004	CORE	BLM18PG121SN1D	1	2350006R1
U007	L3005	CORE	BLM18PG121SN1D	1	2350006R1
U007	L3006	CORE	BLM18PG181SN1D	1	2350005R1
U007	L3101	CORE	DLP11SA900HL2L	1	2350021R2
U007	L3103	CORE	BLM18PG121SN1D	1	2350006R1
U007	L3104	CORE	BLM18PG121SN1D	1	2350006R1
U007	L3105	CORE	BLM18PG121SN1D	1	2350006R1
U007	L3106	CORE	BLM18PG121SN1D	1	2350006R1
U007	L3107	CORE	BLM18PG181SN1D	1	2350005R1
U007	L3108	CORE	BLM18PG181SN1D	1	2350005R1
U007	L3109	CORE	BLM18PG121SN1D	1	2350006R1
U007	L3110	CORE	BLM18PG121SN1D	1	2350006R1
U007	L3111	CORE	BLM18PG121SN1D	1	2350006R1
U007	L3112	CORE	DLP11SA900HL2L	1	2350021R2
U007	L3113	CORE	BLM18PG181SN1D	1	2350005R1
U007	L3114	CORE	BLM18PG121SN1D	1	2350006R1
U007	L3145	CORE	DLP2ADN900HL4L	1	230990R2
U007	L3202	CORE	MMZ1608Y601BT	1	2350004R1
U007	L3203	CORE	MMZ1608Y601BT	1	2350004R1
U007	L3205	CORE	BLM18PG121SN1D	1	2350006R1
U007	L3206	CORE	BLM18PG121SN1D	1	2350006R1
U007	L3207	CORE	MMZ1608Y601BT	1	2350004R1
U007	L3208	EMIFIL	BK1608LL241-T	1	230959R1
U007	L3209	CORE	MMZ1608Y601BT	1	2350004R1
U007	L3401	CORE	BLM18PG121SN1D	1	2350006R1
U007	L3402	CORE	MMZ1608Y601BT	1	2350004R1
U007	L3403	CORE	MMZ1608Y601BT	1	2350004R1
U007	L3405	CORE	BLM18PG121SN1D	1	2350006R1
U007	L3406	CORE	BLM18PG121SN1D	1	2350006R1
U007	L3407	CORE	BLM18PG121SN1D	1	2350006R1

U007	L3408	CORE	BLM18PG121SN1D	1	2350006R1
U007	L3409	CORE	BLM18PG181SN1D	1	2350005R1
U007	L3509	CHOKE COIL	LBC2518T470M	1	231364M470R2
U007	L8000	CORE	BLM18PG181SN1D	1	2350005R1
U007	L8001	CORE	BLM18PG181SN1D	1	2350005R1
U007	L8002	CORE	BLM18PG181SN1D	1	2350005R1
U007	L8003	CORE	BLM18PG181SN1D	1	2350005R1
U007	L8004	CORE	BLM18PG181SN1D	1	2350005R1
U007	L8005	CORE	BLM18PG181SN1D	1	2350005R1
U007	L8006	CORE	BLM18PG121SN1D	1	2350006R1
U007	L8007	CORE	BLM18PG181SN1D	1	2350005R1
U007	L8008	CORE	BLM18PG181SN1D	1	2350005R1
U007	L8009	CORE	BLM18PG181SN1D	1	2350005R1
U007	L8010	CORE	BLM18PG181SN1D	1	2350005R1
U007	L8011	CORE	BLM18PG181SN1D	1	2350005R1
U007	L8012	CORE	BLM18PG181SN1D	1	2350005R1
U007	L8013	CORE	BLM18PG181SN1D	1	2350005R1
U007	L8081	CORE	BLM18PG181SN1D	1	2350005R1
U007	L8082	C-R NET	MNR12E0APJ000	1	43464900002R2
U007	L8083	C-R NET	MNR12E0APJ000	1	43464900002R2
U007	L8084	C-R NET	MNR12E0APJ000	1	43464900002R2
U007	L8085	C-R NET	MNR12E0APJ000	1	43464900002R2
U007	L8086	CORE	BLM18PG181SN1D	1	2350005R1
U007	L8131	CORE	BLM18PG181SN1D	1	2350005R1
U007	L8132	CORE	BLM18PG181SN1D	1	2350005R1
U007	L8133	CORE	BLM18PG181SN1D	1	2350005R1
U007	L8134	CORE	BLM18PG181SN1D	1	2350005R1
U007	L8135	CORE	BLM18PG181SN1D	1	2350005R1
U007	L8191	CORE	BLM18PG181SN1D	1	2350005R1
U007	L8202	CORE	BLM18PG181SN1D	1	2350005R1
U007	L8203	CORE	BLM18PG181SN1D	1	2350005R1
U007	L8204	CORE	BLM18PG181SN1D	1	2350005R1
U007	L8205	CORE	BLM18PG181SN1D	1	2350005R1
U007	L8206	CORE	BLM18PG181SN1D	1	2350005R1
U007	L8207	CORE	BLM18PG181SN1D	1	2350005R1
U007	L8208	CORE	BLM18PG181SN1D	1	2350005R1
U007	L8451	CORE	BLM18PG181SN1D	1	2350005R1
U007	L8452	CORE	BLM18PG181SN1D	1	2350005R1
U007	L8453	CORE	BLM18PG181SN1D	1	2350005R1

U007	L8455	C-R NET	MNR12E0APJ000	1	43464900002R2
U007	L8456	C-R NET	MNR12E0APJ000	1	43464900002R2
U007	L8457	C-R NET	MNR12E0APJ000	1	43464900002R2
U007	L8458	C-R NET	MNR12E0APJ000	1	43464900002R2
U007	L8459	CORE	BLM18PG181SN1D	1	2350005R1
U007	L8501	CHOKE COIL	BLM21PG221SN1	1	230949R2
U007	L8502	CHOKE COIL	BLM21PG221SN1	1	230949R2
U007	L8503	CHOKE COIL	BLM21PG221SN1	1	230949R2
U007	L8510	CORE	BLM18PG181SN1D	1	2350005R1
U007	L8511	CORE	BLM18PG181SN1D	1	2350005R1
U007	L8512	CORE	BLM18PG181SN1D	1	2350005R1
U007	L8513	CORE	BLM18PG181SN1D	1	2350005R1
U007	L8608	CORE	MMZ1608Y601BT	1	2350004R1
U007	L8682	CORE	BLM18PG181SN1D	1	2350005R1
U007	L8701	CORE	BLM18PG181SN1D	1	2350005R1
U007	L8931	CHOKE COIL	BLM21PG221SN1	1	230949R2
U007	L8932	CHOKE COIL	CDRH8D43_100	1	231371P100R2
U007	L8933	CHOKE COIL	BLM21PG221SN1	1	230949R2
U007	L8934	CHOKE COIL	BLM21PG221SN1	1	230949R2
U007	L8941	CHOKE COIL	BLM21PG221SN1	1	230949R2
U007	L8942	CHOKE COIL	CDRH8D43_100	1	231371P100R2
U007	L8943	CHOKE COIL	BLM21PG221SN1	1	230949R2
U007	L8944	CHOKE COIL	BLM21PG221SN1	1	230949R2
U007	L8951	CHOKE COIL	BLM21PG221SN1	1	230949R2
U007	L8952	CHOKE COIL	CDRH8D43_100	1	231371P100R2
U007	L8953	CHOKE COIL	BLM21PG221SN1	1	230949R2
U007	L8954	CHOKE COIL	BLM21PG221SN1	1	230949R2
U007	L8961	CHOKE COIL	BLM21PG221SN1	1	230949R2
U007	L8962	CHOKE COIL	CDRH8D43_100	1	231371P100R2
U007	L8963	CHOKE COIL	BLM21PG221SN1	1	230949R2
U007	L8964	CHOKE COIL	BLM21PG221SN1	1	230949R2
U007	L8965	CORE	BLM18PG181SN1D	1	2350005R1
U007	L8971	CORE	BLM18PG121SN1D	1	2350006R1
U007	X3001	CRYSTAL	HC-49USSMD20.000MHz	1	3010504R2
U007	X3202	CRYSTAL	HC-49SMD11.2896MHz	1	3010480R2
U007	X3401	CRYSTAL	HC-49SMD24.576MHz+/-50ppm	1	3010494R2
U007	X8000	CRYSTAL	HC-49USSMD20.000MHz	1	3010504R2
U007	X8201	CRYSTAL	HC-49USSMD28.6363MHz	1	3010491R2
U007	X8501	CRYSTAL	DSX321G-27MHz	1	3010487R2

U007	X8701	CERA LOCK	CSTCE8M00G55-R0	1	3010416R2
U007	[CAPACITOR]				
U007	C251	C-CERA C	CK725B1C-104K0	1	332011045R1
U007	C252	C-CERA C	CK725B1H-102K0	1	332031025R1
U007	C253	C-CERA C	CK732B16V-106K	1	332071065R2
U007	C3001	C-CERA C	CK725B1A-105K0	1	332001055R1
U007	C3002	C-CERA C	CK725B1A-105K0	1	332001055R1
U007	C3003	C-CERA C	CK732B16V-106K	1	332071065R2
U007	C3004	C-CERA C	CK732B16V-106K	1	332071065R2
U007	C3005	C-CERA C	CK725B1A-105K0	1	332001055R1
U007	C3006	C-CERA C	CC725CH1E-102J0	1	342021024R1
U007	C3007	C-CERA C	CK725B1A-105K0	1	332001055R1
U007	C3008	C-CERA C	CC725CH1E-102J0	1	342021024R1
U007	C3009	C-CERA C	CK725B1A-105K0	1	332001055R1
U007	C3010	C-CERA C	CK725B1A-105K0	1	332001055R1
U007	C3011	C-CERA C	CK725B1A-105K0	1	332001055R1
U007	C3012	C-CERA C	CC725CH1E-102J0	1	342021024R1
U007	C3013	C-CERA C	CK725B1A-105K0	1	332001055R1
U007	C3014	C-CERA C	CC725CH1E-102J0	1	342021024R1
U007	C3015	C-CERA C	CC725CH1E-102J0	1	342021024R1
U007	C3016	C-CERA C	CK725B1A-105K0	1	332001055R1
U007	C3017	C-CERA C	CK725B1A-105K0	1	332001055R1
U007	C3018	C-CERA C	CK725B1A-105K0	1	332001055R1
U007	C3019	C-CERA C	CC725CH1E-102J0	1	342021024R1
U007	C3020	C-CERA C	CK725B1A-105K0	1	332001055R1
U007	C3021	C-CERA C	CK725B1A-105K0	1	332001055R1
U007	C3022	C-CERA C	CK725B1A-105K0	1	332001055R1
U007	C3023	C-CERA C	CK732B16V-106K	1	332071065R2
U007	C3024	C-CERA C	CC725CH1E-102J0	1	342021024R1
U007	C3025	C-CERA C	CK725B1A-105K0	1	332001055R1
U007	C3026	C-CERA C	CK725B1C-104K0	1	332011045R1
U007	C3027	C-CERA C	CC725CH1E-102J0	1	342021024R1
U007	C3028	C-CERA C	CK725B1A-105K0	1	332001055R1
U007	C3029	C-CERA C	CC725CH1E-102J0	1	342021024R1
U007	C3030	C-CERA C	CK725B1A-105K0	1	332001055R1
U007	C3031	C-CERA C	CK725B1A-105K0	1	332001055R1
U007	C3032	C-CERA C	CC725CH1E-102J0	1	342021024R1
U007	C3033	C-CERA C	CK725B1A-105K0	1	332001055R1
U007	C3034	C-CERA C	CC725CH1H-330J0	1	342033304R1

U007	C3035	C-CERA C	CC725CHIE-102J0	1	342021024R1
U007	C3036	C-CERA C	CC725CHIH-330J0	1	342033304R1
U007	C3037	C-CERA C	CK725B1A-105K0	1	332001055R1
U007	C3038	C-CERA C	CK725B1A-105K0	1	332001055R1
U007	C3039	C-CERA C	CK725B1H-103K0	1	332031035R1
U007	C3040	C-CERA C	CK725B1A-105K0	1	332001055R1
U007	C3041	C-CERA C	CK732B16V-106K	1	332071065R2
U007	C3042	C-CERA C	CK725B1A-105K0	1	332001055R1
U007	C3043	C-CERA C	CK725B1A-105K0	1	332001055R1
U007	C3101	C-CERA C	CK732B16V-106K	1	332071065R2
U007	C3102	CHIP ELECT C	CEWX16V-100M	1	398141017R2
U007	C3103	C-CERA C	CK725B1A-105K0	1	332001055R1
U007	C3105	C-CERA C	CK725B1A-105K0	1	332001055R1
U007	C3106	C-CERA C	CK732B16V-106K	1	332071065R2
U007	C3107	C-CERA C	CK725B1A-105K0	1	332001055R1
U007	C3108	C-CERA C	CK725B1A-105K0	1	332001055R1
U007	C3109	C-CERA C	CK732B16V-106K	1	332071065R2
U007	C3110	C-CERA C	CK725B1A-224K0	1	332002245R1
U007	C3112	C-CERA C	CK732B16V-106K	1	332071065R2
U007	C3113	C-CERA C	CK725B1A-105K0	1	332001055R1
U007	C3114	C-CERA C	CK725B1A-105K0	1	332001055R1
U007	C3115	C-CERA C	CK732B16V-106K	1	332071065R2
U007	C3116	C-CERA C	CK732B16V-106K	1	332071065R2
U007	C3117	C-CERA C	CC725CHIE-102J0	1	342021024R1
U007	C3118	C-CERA C	CK725B1A-105K0	1	332001055R1
U007	C3119	C-CERA C	CK725B1A-105K0	1	332001055R1
U007	C3120	C-CERA C	CK732B16V-106K	1	332071065R2
U007	C3121	C-CERA C	CK725B1A-105K0	1	332001055R1
U007	C3122	C-CERA C	CK725B1A-105K0	1	332001055R1
U007	C3123	C-CERA C	CK725B1A-105K0	1	332001055R1
U007	C3124	C-CERA C	CK732B16V-106K	1	332071065R2
U007	C3126	C-CERA C	CK732B16V-106K	1	332071065R2
U007	C3127	C-CERA C	CK725B1A-105K0	1	332001055R1
U007	C3128	C-CERA C	CK725B1A-105K0	1	332001055R1
U007	C3129	C-CERA C	CK725B1A-105K0	1	332001055R1
U007	C3130	C-CERA C	CK732B16V-106K	1	332071065R2
U007	C3131	C-CERA C	CK725B1A-105K0	1	332001055R1
U007	C3132	C-CERA C	CC725CHIH-101J0	1	342031014R1
U007	C3133	C-CERA C	CK725B1A-105K0	1	332001055R1

U007	C3136	C-CERA C	CK725B1A-105K0	1	332001055R1
U007	C3137	C-CERA C	CK725B1A-105K0	1	332001055R1
U007	C3138	C-CERA C	CK725B1A-105K0	1	332001055R1
U007	C3139	C-CERA C	CK725B1A-105K0	1	332001055R1
U007	C3140	C-CERA C	CK725B1A-105K0	1	332001055R1
U007	C3141	C-CERA C	CK725B1C-104K0	1	332011045R1
U007	C3142	C-CERA C	CK725B1C-104K0	1	332011045R1
U007	C3143	C-CERA C	CK725B1A-105K0	1	332001055R1
U007	C3144	C-CERA C	CK725B1A-105K0	1	332001055R1
U007	C3145	C-CERA C	CK732B16V-106K	1	332071065R2
U007	C3146	C-CERA C	CK725B1A-105K0	1	332001055R1
U007	C3147	C-CERA C	CK732B16V-106K	1	332071065R2
U007	C3148	C-CERA C	CK725B1C-104K0	1	332011045R1
U007	C3149	C-CERA C	CK725B1A-105K0	1	332001055R1
U007	C3150	C-CERA C	CK732B16V-106K	1	332071065R2
U007	C3151	C-CERA C	CK732B16V-106K	1	332071065R2
U007	C3152	C-CERA C	CK732B16V-106K	1	332071065R2
U007	C3153	C-CERA C	CK725B1A-105K0	1	332001055R1
U007	C3154	C-CERA C	CK732B16V-106K	1	332071065R2
U007	C3155	C-CERA C	CK725B1A-105K0	1	332001055R1
U007	C3156	C-CERA C	CC725CH1E-102J0	1	342021024R1
U007	C3157	C-CERA C	CK725B1A-105K0	1	332001055R1
U007	C3158	C-CERA C	CK725B1A-105K0	1	332001055R1
U007	C3159	C-CERA C	CK725B1A-105K0	1	332001055R1
U007	C3160	C-CERA C	CK725B1A-105K0	1	332001055R1
U007	C3161	C-CERA C	CK725B1A-105K0	1	332001055R1
U007	C3162	C-CERA C	CK725B1C-104K0	1	332011045R1
U007	C3164	C-CERA C	CC725CH1E-102J0	1	342021024R1
U007	C3165	CHIP ELECT C	CEWX16V-100M	1	398141017R2
U007	C3166	C-CERA C	CK725B1A-105K0	1	332001055R1
U007	C3202	C-CERA C	CK725B1A-105K0	1	332001055R1
U007	C3204	C-CERA C	CK732B16V-106K	1	332071065R2
U007	C3205	C-CERA C	CK725B1A-105K0	1	332001055R1
U007	C3206	C-CERA C	CK725B1A-105K0	1	332001055R1
U007	C3207	C-CERA C	CK732B16V-106K	1	332071065R2
U007	C3208	C-CERA C	CK725B1A-105K0	1	332001055R1
U007	C3209	C-CERA C	CK725B1A-105K0	1	332001055R1
U007	C3210	CHIP ELECT C	CEWX16V-100M	1	398141017R2
U007	C3211	C-CERA C	CC725CH1H-221J0	1	342032214R1

U007	C3213	C-CERA C	CK725B1A-105K0	1	332001055R1
U007	C3214	C-CERA C	CK732B16V-106K	1	332071065R2
U007	C3215	CHIP ELECT C	CEWX16V-10M	1	398141007R2
U007	C3220	C-CERA C	CC725CH1H-090D0	1	342030902R1
U007	C3223	C-CERA C	CC725CH1H-090D0	1	342030902R1
U007	C3224	C-CERA C	CK725B1H-152J0	1	332031524R1
U007	C3225	C-CERA C	CK725B1H-152J0	1	332031524R1
U007	C3226	C-CERA C	CK725B1A-105K0	1	332001055R1
U007	C3227	CHIP ELECT C	CEWX16V-10M	1	398141007R2
U007	C3228	C-CERA C	CC725CH1H-221J0	1	342032214R1
U007	C3229	C-CERA C	CK725B1A-105K0	1	332001055R1
U007	C3230	C-CERA C	CK732B16V-106K	1	332071065R2
U007	C3231	C-CERA C	CK725B1A-105K0	1	332001055R1
U007	C3233	CHIP ELECT C	CEWX16V-100M	1	398141017R2
U007	C3234	C-CERA C	CK732B16V-106K	1	332071065R2
U007	C3401	C-CERA C	CC725CH1E-102J0	1	342021024R1
U007	C3402	C-CERA C	CK725B1C-104K0	1	332011045R1
U007	C3403	C-CERA C	CK725B1C-104K0	1	332011045R1
U007	C3404	C-CERA C	CK725B1C-104K0	1	332011045R1
U007	C3405	C-CERA C	CK725B1C-104K0	1	332011045R1
U007	C3406	C-CERA C	CK725B1A-105K0	1	332001055R1
U007	C3407	C-CERA C	CK725B1A-105K0	1	332001055R1
U007	C3408	C-CERA C	CK732B16V-106K	1	332071065R2
U007	C3409	C-CERA C	CK725B1A-105K0	1	332001055R1
U007	C3410	C-CERA C	CK725B1C-104K0	1	332011045R1
U007	C3411	C-CERA C	CK725B1C-104K0	1	332011045R1
U007	C3412	C-CERA C	CK725B1C-104K0	1	332011045R1
U007	C3413	C-CERA C	CC725CH1H-150J0	1	342031504R1
U007	C3414	C-CERA C	CC725CH1H-150J0	1	342031504R1
U007	C3415	C-CERA C	CK725B1C-104K0	1	332011045R1
U007	C3416	C-CERA C	CK725B1C-104K0	1	332011045R1
U007	C3418	C-CERA C	CK725B1C-104K0	1	332011045R1
U007	C3419	C-CERA C	CK725B1C-104K0	1	332011045R1
U007	C3420	C-CERA C	CK725B1C-104K0	1	332011045R1
U007	C3422	C-CERA C	CK725B1C-104K0	1	332011045R1
U007	C3423	C-CERA C	CK725B1C-104K0	1	332011045R1
U007	C3425	C-CERA C	CK725B1C-104K0	1	332011045R1
U007	C3426	C-CERA C	CC725CH1E-102J0	1	342021024R1
U007	C3427	C-CERA C	CK725B1C-104K0	1	332011045R1

U007	C3428	C-CERA C	CC725CHIE-102J0	1	342021024R1
U007	C3429	C-CERA C	CK725B1C-104K0	1	332011045R1
U007	C3430	C-CERA C	CK725B1A-105K0	1	332001055R1
U007	C3431	C-CERA C	CC725CHIE-102J0	1	342021024R1
U007	C3432	C-CERA C	CC725CHIE-102J0	1	342021024R1
U007	C3433	C-CERA C	CK725B1A-105K0	1	332001055R1
U007	C3434	C-CERA C	CK732B16V-106K	1	332071065R2
U007	C3435	C-CERA C	CK732B16V-106K	1	332071065R2
U007	C3436	C-CERA C	CK732B16V-106K	1	332071065R2
U007	C3437	C-CERA C	CK725B1C-104K0	1	332011045R1
U007	C3438	C-CERA C	CK725B1C-104K0	1	332011045R1
U007	C3439	C-CERA C	CK725B1C-104K0	1	332011045R1
U007	C3440	C-CERA C	CK725B1C-104K0	1	332011045R1
U007	C3441	C-CERA C	CK725B1A-105K0	1	332001055R1
U007	C3442	C-CERA C	CK732B16V-106K	1	332071065R2
U007	C3443	C-CERA C	CK725B1A-105K0	1	332001055R1
U007	C3444	C-CERA C	CK725B1A-105K0	1	332001055R1
U007	C3445	C-CERA C	CK725B1A-105K0	1	332001055R1
U007	C3446	C-CERA C	CK725B1A-105K0	1	332001055R1
U007	C3447	C-CERA C	CK725B1A-105K0	1	332001055R1
U007	C3457	C-CERA C	CK725B1A-105K0	1	332001055R1
U007	C3458	C-CERA C	CK725B1A-105K0	1	332001055R1
U007	C3459	C-CERA C	CK725B1A-105K0	1	332001055R1
U007	C3460	C-CERA C	CK725B1C-104K0	1	332011045R1
U007	C3461	C-CERA C	CK725B1C-104K0	1	332011045R1
U007	C3462	C-CERA C	CK732B16V-106K	1	332071065R2
U007	C3466	C-CERA C	CK725B1C-104K0	1	332011045R1
U007	C3603	C-CERA C	CK725B1H-102K0	1	332031025R1
U007	C8000	C-CERA C	CK732B16V-106K	1	332071065R2
U007	C8002	C-CERA C	CK732B16V-106K	1	332071065R2
U007	C8004	C-CERA C	CK725B1C-104K0	1	332011045R1
U007	C8005	C-CERA C	CK732B16V-106K	1	332071065R2
U007	C8006	C-CERA C	CK725B1C-104K0	1	332011045R1
U007	C8007	C-CERA C	CK732B16V-106K	1	332071065R2
U007	C8008	C-CERA C	CK732B16V-106K	1	332071065R2
U007	C8009	C-CERA C	CK732B16V-106K	1	332071065R2
U007	C8011	C-CERA C	CK732B16V-106K	1	332071065R2
U007	C8012	C-CERA C	CK732B16V-106K	1	332071065R2
U007	C8013	C-CERA C	CK732B16V-106K	1	332071065R2

U007	C8014	C-CERA C	CK725B1A-105K0	1	332001055R1
U007	C8015	C-CERA C	CK725B1A-105K0	1	332001055R1
U007	C8016	C-CERA C	CK725B1A-105K0	1	332001055R1
U007	C8017	C-CERA C	CK725B1A-105K0	1	332001055R1
U007	C8018	C-CERA C	CK725B1C-104K0	1	332011045R1
U007	C8019	C-CERA C	CK725B1C-104K0	1	332011045R1
U007	C8020	C-CERA C	CK725B1C-104K0	1	332011045R1
U007	C8021	C-CERA C	CK725B1C-104K0	1	332011045R1
U007	C8022	C-CERA C	CK725B1C-104K0	1	332011045R1
U007	C8023	C-CERA C	CK725B1C-104K0	1	332011045R1
U007	C8024	C-CERA C	CK725B1C-104K0	1	332011045R1
U007	C8026	C-CERA C	CK732B16V-106K	1	332071065R2
U007	C8027	C-CERA C	CK732B16V-106K	1	332071065R2
U007	C8028	C-CERA C	CK725B1A-105K0	1	332001055R1
U007	C8029	C-CERA C	CK725B1A-105K0	1	332001055R1
U007	C8030	C-CERA C	CK725B1A-105K0	1	332001055R1
U007	C8031	C-CERA C	CK725B1C-104K0	1	332011045R1
U007	C8032	C-CERA C	CK725B1C-104K0	1	332011045R1
U007	C8033	C-CERA C	CK725B1C-104K0	1	332011045R1
U007	C8034	C-CERA C	CK725B1C-104K0	1	332011045R1
U007	C8036	C-CERA C	CK732B16V-106K	1	332071065R2
U007	C8037	C-CERA C	CK732B16V-106K	1	332071065R2
U007	C8038	C-CERA C	CK725B1A-105K0	1	332001055R1
U007	C8039	C-CERA C	CK725B1A-105K0	1	332001055R1
U007	C8040	C-CERA C	CK725B1A-105K0	1	332001055R1
U007	C8041	C-CERA C	CK725B1A-105K0	1	332001055R1
U007	C8042	C-CERA C	CK725B1C-104K0	1	332011045R1
U007	C8043	C-CERA C	CK725B1C-104K0	1	332011045R1
U007	C8044	C-CERA C	CK725B1C-104K0	1	332011045R1
U007	C8045	C-CERA C	CK725B1C-104K0	1	332011045R1
U007	C8046	C-CERA C	CK725B1C-104K0	1	332011045R1
U007	C8047	C-CERA C	CK725B1C-104K0	1	332011045R1
U007	C8050	C-CERA C	CK732B16V-106K	1	332071065R2
U007	C8051	C-CERA C	CK732B16V-106K	1	332071065R2
U007	C8052	C-CERA C	CK725B1A-105K0	1	332001055R1
U007	C8053	C-CERA C	CK725B1A-105K0	1	332001055R1
U007	C8054	C-CERA C	CK725B1C-104K0	1	332011045R1
U007	C8055	C-CERA C	CK725B1C-104K0	1	332011045R1
U007	C8056	C-CERA C	CK725B1C-104K0	1	332011045R1

U007	C8058	C-CERA C	CK725B1C-104K0	1	332011045R1
U007	C8060	C-CERA C	CK732B16V-106K	1	332071065R2
U007	C8061	C-CERA C	CK732B16V-106K	1	332071065R2
U007	C8062	C-CERA C	CK725B1A-105K0	1	332001055R1
U007	C8063	C-CERA C	CK725B1C-104K0	1	332011045R1
U007	C8064	C-CERA C	CK725B1C-104K0	1	332011045R1
U007	C8065	C-CERA C	CK725B1C-104K0	1	332011045R1
U007	C8066	C-CERA C	CK732B16V-106K	1	332071065R2
U007	C8067	C-CERA C	CK732B16V-106K	1	332071065R2
U007	C8068	C-CERA C	CK725B1A-105K0	1	332001055R1
U007	C8069	C-CERA C	CK725B1C-104K0	1	332011045R1
U007	C8070	C-CERA C	CK725B1C-104K0	1	332011045R1
U007	C8071	C-CERA C	CK725B1C-104K0	1	332011045R1
U007	C8072	C-CERA C	CK732B16V-106K	1	332071065R2
U007	C8073	C-CERA C	CK732B16V-106K	1	332071065R2
U007	C8074	C-CERA C	CK732B16V-106K	1	332071065R2
U007	C8075	C-CERA C	CK732B16V-106K	1	332071065R2
U007	C8076	C-CERA C	CK732B16V-106K	1	332071065R2
U007	C8078	C-CERA C	CK732B16V-106K	1	332071065R2
U007	C8079	C-CERA C	CK732B16V-106K	1	332071065R2
U007	C8080	C-CERA C	CK732B16V-106K	1	332071065R2
U007	C8081	C-CERA C	CK732B16V-106K	1	332071065R2
U007	C8082	C-CERA C	CK725B1A-105K0	1	332001055R1
U007	C8083	C-CERA C	CK725B1A-105K0	1	332001055R1
U007	C8084	C-CERA C	CK725B1A-105K0	1	332001055R1
U007	C8085	C-CERA C	CK725B1A-105K0	1	332001055R1
U007	C8086	C-CERA C	CK725B1A-105K0	1	332001055R1
U007	C8087	C-CERA C	CK725B1A-105K0	1	332001055R1
U007	C8088	C-CERA C	CK725B1A-105K0	1	332001055R1
U007	C8089	C-CERA C	CK725B1A-105K0	1	332001055R1
U007	C8090	C-CERA C	CK725B1A-105K0	1	332001055R1
U007	C8091	C-CERA C	CK725B1A-105K0	1	332001055R1
U007	C8092	C-CERA C	CK725B1A-105K0	1	332001055R1
U007	C8093	C-CERA C	CK725B1A-105K0	1	332001055R1
U007	C8094	C-CERA C	CK725B1A-105K0	1	332001055R1
U007	C8095	C-CERA C	CK732B16V-106K	1	332071065R2
U007	C8096	C-CERA C	CK725B1A-105K0	1	332001055R1
U007	C8097	C-CERA C	CK732B16V-106K	1	332071065R2
U007	C8098	C-CERA C	CK725B1A-105K0	1	332001055R1

U007	C8100	C-CERA C	CK725B1H-102K0	1	332031025R1
U007	C8101	C-CERA C	CK725B1H-102K0	1	332031025R1
U007	C8102	C-CERA C	CK732B16V-106K	1	332071065R2
U007	C8104	C-CERA C	CK732B16V-106K	1	332071065R2
U007	C8105	C-CERA C	CK725B1A-105K0	1	332001055R1
U007	C8106	C-CERA C	CK725B1A-105K0	1	332001055R1
U007	C8107	C-CERA C	CK725B1C-104K0	1	332011045R1
U007	C8108	C-CERA C	CK725B1C-104K0	1	332011045R1
U007	C8109	C-CERA C	CK725B1A-105K0	1	332001055R1
U007	C8110	C-CERA C	CK725B1A-105K0	1	332001055R1
U007	C8111	C-CERA C	CC725CH1H-101J0	1	342031014R1
U007	C8112	C-CERA C	CK725B1C-104K0	1	332011045R1
U007	C8113	C-CERA C	CK725B1C-104K0	1	332011045R1
U007	C8114	C-CERA C	CC725CH1H-080C0	1	342030801R1
U007	C8115	C-CERA C	CK725B1C-104K0	1	332011045R1
U007	C8116	C-CERA C	CC725CH1H-330J0	1	342033304R1
U007	C8117	C-CERA C	CC725CH1H-390J0	1	342033904R1
U007	C8120	C-CERA C	CC725CH1H-100D0	1	342031002R1
U007	C8124	C-CERA C	CK725B1C-104K0	1	332011045R1
U007	C8131	C-CERA C	CK725B1A-105K0	1	332001055R1
U007	C8134	C-CERA C	CK732B16V-106K	1	332071065R2
U007	C8135	C-CERA C	CK725B1H-102K0	1	332031025R1
U007	C8136	C-CERA C	CK725B1C-104K0	1	332011045R1
U007	C8137	C-CERA C	CK725B1H-102K0	1	332031025R1
U007	C8138	C-CERA C	CK725B1C-104K0	1	332011045R1
U007	C8139	C-CERA C	CK725B1H-102K0	1	332031025R1
U007	C8140	C-CERA C	CK725B1C-104K0	1	332011045R1
U007	C8141	C-CERA C	CK725B1H-102K0	1	332031025R1
U007	C8143	C-CERA C	CK732B16V-106K	1	332071065R2
U007	C8144	C-CERA C	CK725B1H-102K0	1	332031025R1
U007	C8145	C-CERA C	CK732B16V-106K	1	332071065R2
U007	C8146	C-CERA C	CK725B1H-102K0	1	332031025R1
U007	C8147	C-CERA C	CK725B1C-104K0	1	332011045R1
U007	C8148	C-CERA C	CK725B1H-102K0	1	332031025R1
U007	C8149	C-CERA C	CK725B1C-104K0	1	332011045R1
U007	C8150	C-CERA C	CK725B1H-102K0	1	332031025R1
U007	C8151	C-CERA C	CK725B1C-104K0	1	332011045R1
U007	C8152	C-CERA C	CK725B1A-105K0	1	332001055R1
U007	C8153	C-CERA C	CK725B1C-104K0	1	332011045R1

U007	C8154	C-CERA C	CK725B1H-102K0	1	332031025R1
U007	C8155	C-CERA C	CK725B1C-104K0	1	332011045R1
U007	C8157	C-CERA C	CK725B1H-102K0	1	332031025R1
U007	C8158	C-CERA C	CK725B1C-104K0	1	332011045R1
U007	C8159	C-CERA C	CK725B1H-102K0	1	332031025R1
U007	C8160	C-CERA C	CK725B1C-104K0	1	332011045R1
U007	C8161	C-CERA C	CK732B16V-106K	1	332071065R2
U007	C8162	C-CERA C	CK725B1H-102K0	1	332031025R1
U007	C8163	C-CERA C	CK725B1C-104K0	1	332011045R1
U007	C8164	C-CERA C	CK725B1H-102K0	1	332031025R1
U007	C8165	C-CERA C	CK725B1C-104K0	1	332011045R1
U007	C8166	C-CERA C	CK732B16V-106K	1	332071065R2
U007	C8167	C-CERA C	CK725B1A-105K0	1	332001055R1
U007	C8169	C-CERA C	CK725B1A-105K0	1	332001055R1
U007	C8170	C-CERA C	CK725B1A-105K0	1	332001055R1
U007	C8171	C-CERA C	CK725B1A-105K0	1	332001055R1
U007	C8172	C-CERA C	CK725B1A-105K0	1	332001055R1
U007	C8173	C-CERA C	CK725B1H-102K0	1	332031025R1
U007	C8191	C-CERA C	CK732B16V-106K	1	332071065R2
U007	C8192	C-CERA C	CK732B16V-106K	1	332071065R2
U007	C8193	C-CERA C	CK732B16V-106K	1	332071065R2
U007	C8194	C-CERA C	CK732B16V-106K	1	332071065R2
U007	C8201	C-CERA C	CK725B1C-104K0	1	332011045R1
U007	C8202	C-CERA C	CK725B1C-104K0	1	332011045R1
U007	C8203	C-CERA C	CK725B1C-104K0	1	332011045R1
U007	C8204	C-CERA C	CK725B1H-102K0	1	332031025R1
U007	C8205	C-CERA C	CK725B1C-104K0	1	332011045R1
U007	C8206	C-CERA C	CK725B1C-104K0	1	332011045R1
U007	C8207	C-CERA C	CK725B1H-102K0	1	332031025R1
U007	C8208	C-CERA C	CK725B1C-104K0	1	332011045R1
U007	C8209	C-CERA C	CK725B1C-104K0	1	332011045R1
U007	C8210	C-CERA C	CC725CH1H-100D0	1	342031002R1
U007	C8211	CERA C	CC725CH1H-070C0	1	342030701R1
U007	C8212	C-CERA C	CK725B1C-104K0	1	332011045R1
U007	C8213	C-CERA C	CK725B1C-104K0	1	332011045R1
U007	C8214	C-CERA C	CK732B16V-106K	1	332071065R2
U007	C8218	C-CERA C	CK725B1C-104K0	1	332011045R1
U007	C8219	C-CERA C	CK725B1C-104K0	1	332011045R1
U007	C8220	C-CERA C	CK725B1C-104K0	1	332011045R1

U007	C8221	C-CERA C	CK725B1C-104K0	1	332011045R1
U007	C8222	C-CERA C	CK725B1C-104K0	1	332011045R1
U007	C8223	C-CERA C	CK725B1C-104K0	1	332011045R1
U007	C8224	C-CERA C	CK725B1C-104K0	1	332011045R1
U007	C8225	C-CERA C	CK732B16V-106K	1	332071065R2
U007	C8226	C-CERA C	CK732B16V-106K	1	332071065R2
U007	C8236	C-CERA C	CK725B1C-104K0	1	332011045R1
U007	C8237	C-CERA C	CK725B1C-104K0	1	332011045R1
U007	C8238	C-CERA C	CK725B1C-104K0	1	332011045R1
U007	C8239	C-CERA C	CK725B1H-103K0	1	332031035R1
U007	C8240	C-CERA C	CK725B1H-103K0	1	332031035R1
U007	C8241	C-CERA C	CK725B1H-103K0	1	332031035R1
U007	C8242	C-CERA C	CK725B1H-103K0	1	332031035R1
U007	C8243	C-CERA C	CK725B1H-103K0	1	332031035R1
U007	C8244	C-CERA C	CK732B16V-106K	1	332071065R2
U007	C8245	C-CERA C	CK732B16V-106K	1	332071065R2
U007	C8246	C-CERA C	CK725B1H-103K0	1	332031035R1
U007	C8247	C-CERA C	CK725B1H-103K0	1	332031035R1
U007	C8248	C-CERA C	CK725B1H-103K0	1	332031035R1
U007	C8249	C-CERA C	CK725B1H-103K0	1	332031035R1
U007	C8250	C-CERA C	CK725B1H-103K0	1	332031035R1
U007	C8251	C-CERA C	CK725B1A-105K0	1	332001055R1
U007	C8252	C-CERA C	CK725B1A-105K0	1	332001055R1
U007	C8253	C-CERA C	CK725B1A-105K0	1	332001055R1
U007	C8254	C-CERA C	CK725B1H-103K0	1	332031035R1
U007	C8255	C-CERA C	CK725B1C-104K0	1	332011045R1
U007	C8256	CHIP TANTAL	TEESVB20J107M8R	1	398421017R2
U007	C8256 or	CHIP TANTAL	F93-6.3V-100M	(1)	395521017R2
U007	C8256 or	CHIP TANTAL	TCSCS0J107MBAR	(1)	396521017R2
U007	C8257	CHIP TANTAL	TEESVA0J226M8R	1	398422207R2
U007	C8257 or	CHIP TANTAL	F93-6.3V-22M	(1)	395522207R2
U007	C8257 or	CHIP TANTAL	TCSCS0J226MAAR	(1)	396522207R2
U007	C8268	C-CERA C	CK725B1C-104K0	1	332011045R1
U007	C8269	C-CERA C	CK725B1C-104K0	1	332011045R1
U007	C8270	C-CERA C	CK725B1C-104K0	1	332011045R1
U007	C8271	C-CERA C	CK725B1H-103K0	1	332031035R1
U007	C8272	C-CERA C	CK725B1H-103K0	1	332031035R1
U007	C8273	C-CERA C	CK725B1H-103K0	1	332031035R1
U007	C8274	C-CERA C	CK725B1H-103K0	1	332031035R1

U007	C8275	C-CERA C	CK725B1H-103K0	1	332031035R1
U007	C8276	C-CERA C	CK725B1H-103K0	1	332031035R1
U007	C8277	C-CERA C	CK725B1H-103K0	1	332031035R1
U007	C8278	C-CERA C	CK725B1H-103K0	1	332031035R1
U007	C8279	C-CERA C	CK725B1H-103K0	1	332031035R1
U007	C8280	C-CERA C	CK725B1H-103K0	1	332031035R1
U007	C8281	C-CERA C	CK725B1H-103K0	1	332031035R1
U007	C8282	C-CERA C	CK725B1H-103K0	1	332031035R1
U007	C8283	C-CERA C	CK725B1H-103K0	1	332031035R1
U007	C8284	C-CERA C	CK725B1H-103K0	1	332031035R1
U007	C8285	C-CERA C	CK725B1H-103K0	1	332031035R1
U007	C8286	C-CERA C	CK725B1H-103K0	1	332031035R1
U007	C8287	C-CERA C	CK725B1C-104K0	1	332011045R1
U007	C8288	C-CERA C	CK725B1C-104K0	1	332011045R1
U007	C8289	C-CERA C	CK725B1C-104K0	1	332011045R1
U007	C8292	C-CERA C	CK725B1H-103K0	1	332031035R1
U007	C8293	C-CERA C	CK725B1H-103K0	1	332031035R1
U007	C8294	C-CERA C	CK725B1H-103K0	1	332031035R1
U007	C8295	C-CERA C	CK725B1H-103K0	1	332031035R1
U007	C8296	C-CERA C	CK725B1H-103K0	1	332031035R1
U007	C8297	C-CERA C	CK725B1C-104K0	1	332011045R1
U007	C8298	C-CERA C	CK725B1C-104K0	1	332011045R1
U007	C8302	C-CERA C	CK725B1H-103K0	1	332031035R1
U007	C8303	C-CERA C	CK725B1H-103K0	1	332031035R1
U007	C8304	C-CERA C	CK725B1H-103K0	1	332031035R1
U007	C8305	C-CERA C	CK725B1H-103K0	1	332031035R1
U007	C8306	C-CERA C	CK725B1H-103K0	1	332031035R1
U007	C8307	C-CERA C	CK725B1C-104K0	1	332011045R1
U007	C8308	C-CERA C	CK725B1C-104K0	1	332011045R1
U007	C8311	C-CERA C	CK732B16V-106K	1	332071065R2
U007	C8312	CHIP TANTAL	TEESVA0J226M8R	1	398422207R2
U007	C8312 or	CHIP TANTAL	F93-6.3V-22M	(1)	395522207R2
U007	C8312 or	CHIP TANTAL	TCSCS0J226MAAR	(1)	396522207R2
U007	C8313	CHIP TANTAL	TEESVB20J107M8R	1	398421017R2
U007	C8313 or	CHIP TANTAL	F93-6.3V-100M	(1)	395521017R2
U007	C8313 or	CHIP TANTAL	TCSCS0J107MBAR	(1)	396521017R2
U007	C8314	C-CERA C	CK725B1C-104K0	1	332011045R1
U007	C8315	C-CERA C	CK725B1A-105K0	1	332001055R1
U007	C8316	C-CERA C	CK725B1C-104K0	1	332011045R1

U007	C8317	C-CERA C	CK725B1H-102K0	1	332031025R1
U007	C8318	C-CERA C	CK725B1C-104K0	1	332011045R1
U007	C8363	C-CERA C	CK725B1C-104K0	1	332011045R1
U007	C8452	C-CERA C	CK725B1H-103K0	1	332031035R1
U007	C8453	C-CERA C	CK725B1C-104K0	1	332011045R1
U007	C8454	C-CERA C	CK725B1H-103K0	1	332031035R1
U007	C8455	C-CERA C	CK725B1C-104K0	1	332011045R1
U007	C8456	C-CERA C	CK725B1H-103K0	1	332031035R1
U007	C8457	C-CERA C	CK725B1C-104K0	1	332011045R1
U007	C8458	C-CERA C	CK725B1H-103K0	1	332031035R1
U007	C8459	C-CERA C	CK725B1C-104K0	1	332011045R1
U007	C8460	C-CERA C	CK725B1H-103K0	1	332031035R1
U007	C8461	C-CERA C	CK725B1C-104K0	1	332011045R1
U007	C8462	C-CERA C	CK732B16V-106K	1	332071065R2
U007	C8463	C-CERA C	CK732B16V-106K	1	332071065R2
U007	C8464	C-CERA C	CK732B16V-106K	1	332071065R2
U007	C8465	C-CERA C	CK732B16V-106K	1	332071065R2
U007	C8466	C-CERA C	CK725B1H-103K0	1	332031035R1
U007	C8467	C-CERA C	CK725B1C-104K0	1	332011045R1
U007	C8468	C-CERA C	CK725B1H-103K0	1	332031035R1
U007	C8469	C-CERA C	CK725B1C-104K0	1	332011045R1
U007	C8470	C-CERA C	CK725B1H-103K0	1	332031035R1
U007	C8471	C-CERA C	CK725B1C-104K0	1	332011045R1
U007	C8472	C-CERA C	CK725B1H-103K0	1	332031035R1
U007	C8473	C-CERA C	CK725B1C-104K0	1	332011045R1
U007	C8478	C-CERA C	CK725B1H-102K0	1	332031025R1
U007	C8480	C-CERA C	CK732B16V-106K	1	332071065R2
U007	C8482	C-CERA C	CK725B1H-103K0	1	332031035R1
U007	C8483	C-CERA C	CK725B1C-104K0	1	332011045R1
U007	C8484	C-CERA C	CK725B1H-103K0	1	332031035R1
U007	C8485	C-CERA C	CK725B1C-104K0	1	332011045R1
U007	C8489	C-CERA C	CK725B1A-105K0	1	332001055R1
U007	C8490	C-CERA C	CK725B1A-105K0	1	332001055R1
U007	C8491	C-CERA C	CK725B1A-105K0	1	332001055R1
U007	C8492	C-CERA C	CK725B1H-102K0	1	332031025R1
U007	C8493	C-CERA C	CK725B1A-105K0	1	332001055R1
U007	C8494	C-CERA C	CK725B1H-102K0	1	332031025R1
U007	C8496	C-CERA C	CK725B1C-104K0	1	332011045R1
U007	C8501	C-CERA C	CK725B1C-104K0	1	332011045R1

U007	C8502	C-CERA C	CK725B1C-104K0	1	332011045R1	
U007	C8503	C-CERA C	CK725B1C-104K0	1	332011045R1	
U007	C8504	C-CERA C	CK725B1C-104K0	1	332011045R1	
U007	C8505	C-CERA C	CK725B1C-104K0	1	332011045R1	
U007	C8506	C-CERA C	CK725B1H-102K0	1	332031025R1	
U007	C8507	C-CERA C	CK725B1C-104K0	1	332011045R1	
U007	C8508	C-CERA C	CK725B1H-102K0	1	332031025R1	
U007	C8511	C-CERA C	CK725B1C-104K0	1	332011045R1	
U007	C8512	C-CERA C	CK725B1C-104K0	1	332011045R1	
U007	C8513	C-CERA C	CK725B1C-104K0	1	332011045R1	
U007	C8514	C-CERA C	CK725B1C-104K0	1	332011045R1	
U007	C8515	C-CERA C	CK725B1C-104K0	1	332011045R1	
U007	C8516	C-CERA C	CK725B1H-102K0	1	332031025R1	
U007	C8517	C-CERA C	CK725B1C-104K0	1	332011045R1	
U007	C8518	C-CERA C	CK725B1H-102K0	1	332031025R1	
U007	C8520	CHIP TANTAL	TEESVA0J226M8R	1	398422207R2	
U007	C8520 or	CHIP TANTAL	F93-6.3V-22M	(1)	395522207R2	
U007	C8520 or	CHIP TANTAL	TCSCS0J226MAAR	(1)	396522207R2	
U007	C8521	CHIP TANTAL	TEESVA0J226M8R	1	398422207R2	
U007	C8521 or	CHIP TANTAL	F93-6.3V-22M	(1)	395522207R2	
U007	C8521 or	CHIP TANTAL	TCSCS0J226MAAR	(1)	396522207R2	
U007	C8522	CHIP TANTAL	TEESVA0J226M8R	1	398422207R2	
U007	C8522 or	CHIP TANTAL	F93-6.3V-22M	(1)	395522207R2	
U007	C8522 or	CHIP TANTAL	TCSCS0J226MAAR	(1)	396522207R2	
U007	C8523	CHIP TANTAL	TEESVA0J226M8R	1	398422207R2	
U007	C8523 or	CHIP TANTAL	F93-6.3V-22M	(1)	395522207R2	
U007	C8523 or	CHIP TANTAL	TCSCS0J226MAAR	(1)	396522207R2	
U007	C8536	C-CERA C	CK725B1C-104K0	1	332011045R1	
U007	C8537	C-CERA C	CK725B1C-104K0	1	332011045R1	
U007	C8538	C-CERA C	CK725B1C-104K0	1	332011045R1	
U007	C8539	C-CERA C	CK725B1C-104K0	1	332011045R1	
U007	C8540	C-CERA C	CK725B1C-104K0	1	332011045R1	
U007	C8541	C-CERA C	CK725B1C-104K0	1	332011045R1	
U007	C8542	C-CERA C	CC725CH1H-060D0	1	342030602R1	N
U007	C8543	C-CERA C	CC725CH1H-060D0	1	342030602R1	N
U007	C8545	C-CERA C	CK725B1C-104K0	1	332011045R1	
U007	C8546	C-CERA C	CK725B1C-104K0	1	332011045R1	
U007	C8547	C-CERA C	CK725B1C-104K0	1	332011045R1	
U007	C8548	C-CERA C	CK725B1C-104K0	1	332011045R1	

U007	C8549	C-CERA C	CK725B1C-104K0	1	332011045R1
U007	C8550	C-CERA C	CK725B1C-104K0	1	332011045R1
U007	C8551	C-CERA C	CK725B1C-104K0	1	332011045R1
U007	C8552	C-CERA C	CK725B1C-104K0	1	332011045R1
U007	C8553	C-CERA C	CK725B1C-104K0	1	332011045R1
U007	C8554	C-CERA C	CK725B1C-104K0	1	332011045R1
U007	C8555	C-CERA C	CK725B1C-104K0	1	332011045R1
U007	C8556	C-CERA C	CK725B1C-104K0	1	332011045R1
U007	C8557	C-CERA C	CK725B1C-104K0	1	332011045R1
U007	C8558	C-CERA C	CK725B1C-104K0	1	332011045R1
U007	C8559	C-CERA C	CK725B1C-104K0	1	332011045R1
U007	C8560	C-CERA C	CK725B1C-104K0	1	332011045R1
U007	C8584	CHIP TANTAL	TEESVA0J226M8R	1	398422207R2
U007	C8584 or	CHIP TANTAL	F93-6.3V-22M	(1)	395522207R2
U007	C8584 or	CHIP TANTAL	TCSCS0J226MAAR	(1)	396522207R2
U007	C8611	C-CERA C	CK725B1H-102K0	1	332031025R1
U007	C8612	C-CERA C	CK725B1H-102K0	1	332031025R1
U007	C8621	C-CERA C	CK725B1H-102K0	1	332031025R1
U007	C8622	C-CERA C	CK725B1H-102K0	1	332031025R1
U007	C8631	C-CERA C	CK725B1H-102K0	1	332031025R1
U007	C8632	C-CERA C	CK725B1H-102K0	1	332031025R1
U007	C8641	C-CERA C	CK725B1H-102K0	1	332031025R1
U007	C8642	C-CERA C	CK725B1H-102K0	1	332031025R1
U007	C8651	C-CERA C	CK725B1H-102K0	1	332031025R1
U007	C8652	C-CERA C	CK725B1H-102K0	1	332031025R1
U007	C8695	C-CERA C	CK725B1H-102K0	1	332031025R1
U007	C8696	C-CERA C	CK725B1H-102K0	1	332031025R1
U007	C8697	C-CERA C	CK732B16V-106K	1	332071065R2
U007	C8698	C-CERA C	CK725B1H-102K0	1	332031025R1
U007	C8699	C-CERA C	CK725B1C-104K0	1	332011045R1
U007	C8701	C-CERA C	CK725B1C-104K0	1	332011045R1
U007	C8702	C-CERA C	CK725B1C-104K0	1	332011045R1
U007	C8703	C-CERA C	CK725B1C-104K0	1	332011045R1
U007	C8704	C-CERA C	CK725B1C-104K0	1	332011045R1
U007	C8705	C-CERA C	CK725B1A-105K0	1	332001055R1
U007	C8706	C-CERA C	CK725B1C-104K0	1	332011045R1
U007	C8707	C-CERA C	CK725B1C-104K0	1	332011045R1
U007	C8708	C-CERA C	CK732B16V-106K	1	332071065R2
U007	C8709	C-CERA C	CK732B16V-106K	1	332071065R2

U007	C8901	CHIP ELECT C	CEWX25V-100M	1	398151017R2
U007	C8902	C-CERA C	CK725B1E-106K	1	332221065R2
U007	C8911	C-CERA C	CK725B1C-104K0	1	332011045R1
U007	C8912	CHIP ELECT C	CEWX16V-100M	1	398141017R2
U007	C8913	C-CERA C	CK725B1A-105K0	1	332001055R1
U007	C8914	C-CERA C	CK725B1C-104K0	1	332011045R1
U007	C8915	CHIP ELECT C	CEWX16V-100M	1	398141017R2
U007	C8916	C-CERA C	CK725B1A-105K0	1	332001055R1
U007	C8917	C-CERA C	CK725B1C-104K0	1	332011045R1
U007	C8918	CHIP ELECT C	CEWX16V-100M	1	398141017R2
U007	C8919	C-CERA C	CK725B1A-105K0	1	332001055R1
U007	C8920	C-CERA C	CK725B1C-104K0	1	332011045R1
U007	C8921	CHIP ELECT C	CEWX16V-100M	1	398141017R2
U007	C8922	C-CERA C	CK725B1A-105K0	1	332001055R1
U007	C8931	C-CERA C	CK725B1C-104K0	1	332011045R1
U007	C8932	C-CERA C	CK725B1C-104K0	1	332011045R1
U007	C8933	C-CERA C	CK725B1E-106K	1	332221065R2
U007	C8934	C-CERA C	CK725B1E-106K	1	332221065R2
U007	C8935	C-CERA C	CK725B1H-223K0	1	332032235R1
U007	C8936	C-CERA C	CK732B16V-106K	1	332071065R2
U007	C8937	C-CERA C	CK732B16V-106K	1	332071065R2
U007	C8938	C-CERA C	CK732B16V-106K	1	332071065R2
U007	C8940	C-CERA C	CC725CH1H-331J0	1	342033314R1
U007	C8941	C-CERA C	CK725B1C-104K0	1	332011045R1
U007	C8942	C-CERA C	CK725B1C-104K0	1	332011045R1
U007	C8943	C-CERA C	CK725B1E-106K	1	332221065R2
U007	C8944	C-CERA C	CK725B1E-106K	1	332221065R2
U007	C8945	C-CERA C	CK725B1E-682K0	1	332026825R1
U007	C8946	C-CERA C	CK732B16V-106K	1	332071065R2
U007	C8947	C-CERA C	CK732B16V-106K	1	332071065R2
U007	C8948	C-CERA C	CK732B16V-106K	1	332071065R2
U007	C8951	C-CERA C	CK725B1C-104K0	1	332011045R1
U007	C8952	C-CERA C	CK725B1C-104K0	1	332011045R1
U007	C8953	C-CERA C	CK725B1E-106K	1	332221065R2
U007	C8954	C-CERA C	CK725B1E-106K	1	332221065R2
U007	C8955	C-CERA C	CK725B1H-103K0	1	332031035R1
U007	C8956	C-CERA C	CK732B16V-106K	1	332071065R2
U007	C8957	C-CERA C	CK732B16V-106K	1	332071065R2
U007	C8958	C-CERA C	CK732B16V-106K	1	332071065R2

U007	C8960	C-CERA C	CC725CH1H-151J0	1	342031514R1
U007	C8961	C-CERA C	CK725B1C-104K0	1	332011045R1
U007	C8962	C-CERA C	CK725B1C-104K0	1	332011045R1
U007	C8963	C-CERA C	CK725B1E-106K	1	332221065R2
U007	C8964	C-CERA C	CK725B1E-106K	1	332221065R2
U007	C8965	C-CERA C	CK725B1H-103K0	1	332031035R1
U007	C8966	C-CERA C	CK732B16V-106K	1	332071065R2
U007	C8967	C-CERA C	CK732B16V-106K	1	332071065R2
U007	C8968	C-CERA C	CK732B16V-106K	1	332071065R2
U007	C8971	C-CERA C	CK732B16V-106K	1	332071065R2
U007	C8973	C-CERA C	CK732B16V-106K	1	332071065R2
U007	C8974	C-CERA C	CK732B16V-106K	1	332071065R2
U007	C8976	C-CERA C	CK725B1C-104K0	1	332011045R1
U007	C8977	C-CERA C	CK732B16V-106K	1	332071065R2
U007	C8978	C-CERA C	CK732B16V-106K	1	332071065R2
U007	C8979	CHIP TANTAL	TEESVB20J107M8R	1	398421017R2
U007	C8979 or	CHIP TANTAL	F93-6.3V-100M	(1)	395521017R2
U007	C8979 or	CHIP TANTAL	TCSCS0J107MBAR	(1)	396521017R2
U007	[RESISTOR]				
U007	R268	C-CARBON R	RN72K1J-331JE	1	435033314R1
U007	R269	C-CARBON R	RN72K1J-331JE	1	435033314R1
U007	R270	C-CARBON R	RN72K1J-331JE	1	435033314R1
U007	R271	C-CARBON R	RN72K1J-470JE	1	435034704R1
U007	R272	C-CARBON R	RN72K1J-331JE	1	435033314R1
U007	R273	C-CARBON R	RN72K1J-331JE	1	435033314R1
U007	R274	C-CARBON R	RN72K1J-470JE	1	435034704R1
U007	R275	C-CARBON R	RN72K1J-221JE	1	435032214R1
U007	R276	C-CARBON R	RN72K1J-221JE	1	435032214R1
U007	R277	C-CARBON R	RN72K1J-470JE	1	435034704R1
U007	R278	C-CARBON R	RN72K1J-331JE	1	435033314R1
U007	R279	C-CARBON R	RN72K1J-331JE	1	435033314R1
U007	R280	C-CARBON R	RN72K1J-470JE	1	435034704R1
U007	R3009	C-CARBON R	RN72K1J-330JE	1	435033304R1
U007	R3010	C-R NET	RM7LJ330X04	1	43484733004R2
U007	R3011	C-R NET	RM7LJ330X04	1	43484733004R2
U007	R3012	C-R NET	RM7LJ470X04	1	43484747004R2
U007	R3013	C-R NET	RM7LJ330X04	1	43484733004R2
U007	R3014	C-R NET	RM7LJ330X04	1	43484733004R2
U007	R3015	C-R NET	RM7LJ330X04	1	43484733004R2

U007	R3016	C-CARBON R	RN72K1J-470JE	1	435034704R1
U007	R3017	C-R NET	RM7LJ330X04	1	43484733004R2
U007	R3018	C-CARBON R	RN72K1J-470JE	1	435034704R1
U007	R3019	C-R NET	RM7LJ330X04	1	43484733004R2
U007	R3020	C-R NET	RM7LJ330X04	1	43484733004R2
U007	R3021	C-CARBON R	RN72K1J-470JE	1	435034704R1
U007	R3022	C-CARBON R	RN72K1J-470JE	1	435034704R1
U007	R3023	C-R NET	RM7LJ470X04	1	43484747004R2
U007	R3024	C-CARBON R	RN72K1J-470JE	1	435034704R1
U007	R3025	C-CARBON R	RN72K1J-102JE	1	435031024R1
U007	R3026	C-CARBON R	RN72K1J-470JE	1	435034704R1
U007	R3028	C-CARBON R	RN72K1J-470JE	1	435034704R1
U007	R3029	C-CARBON R	RN72K1J-102JE	1	435031024R1
U007	R3032	C-CARBON R	RN72K1J-103JE	1	435031034R1
U007	R3033	C-CARBON R	RN72K1J-470JE	1	435034704R1
U007	R3034	C-CARBON R	RN72K1J-470JE	1	435034704R1
U007	R3035	C-CARBON R	RN72K1J-470JE	1	435034704R1
U007	R3036	C-CARBON R	RN72K1J-470JE	1	435034704R1
U007	R3037	C-CARBON R	RN72K1J-470JE	1	435034704R1
U007	R3038	C-CARBON R	RN72K1J-470JE	1	435034704R1
U007	R3039	C-CARBON R	RN72K1J-470JE	1	435034704R1
U007	R3040	C-CARBON R	RN72K1J-103JE	1	435031034R1
U007	R3041	C-R NET	RM7LJ330X04	1	43484733004R2
U007	R3042	C-R NET	RM7LJ330X04	1	43484733004R2
U007	R3043	C-CARBON R	RN72K1J-000JE	1	435030004R1
U007	R3044	C-R NET	RM7LJ330X04	1	43484733004R2
U007	R3045	C-R NET	RM7LJ330X04	1	43484733004R2
U007	R3047	C-CARBON R	RN72K1J-560JE	1	435035604R1
U007	R3048	C-CARBON R	RN72K1J-000JE	1	435030004R1
U007	R3049	C-CARBON R	RN72K1J-560JE	1	435035604R1
U007	R3050	C-CARBON R	RN72K1J-560JE	1	435035604R1
U007	R3051	C-CARBON R	RN72K1J-560JE	1	435035604R1
U007	R3054	C-CARBON R	RN72K1J-103JE	1	435031034R1
U007	R3056	C-CARBON R	RN72K1J-472JE	1	435034724R1
U007	R3060	C-CARBON R	RN72K1J-680JE	1	435036804R1
U007	R3061	C-CARBON R	RN72K1J-470JE	1	435034704R1
U007	R3062	C-CARBON R	RN72K1J-680JE	1	435036804R1
U007	R3063	C-CARBON R	RN72K1J-680JE	1	435036804R1
U007	R3064	C-CARBON R	RN72K1J-680JE	1	435036804R1

U007	R3065	C-CARBON R	RN72K1J-680JE	1	435036804R1
U007	R3066	C-CARBON R	RN72K1J-102JE	1	435031024R1
U007	R3070	C-CARBON R	RN72K1J-000JE	1	435030004R1
U007	R3072	C-CARBON R	RN72K1J-000JE	1	435030004R1
U007	R3074	C-CARBON R	RN72K1J-000JE	1	435030004R1
U007	R3076	C-CARBON R	RN72K1J-000JE	1	435030004R1
U007	R3101	C-CARBON R	RN72K1J-103JE	1	435031034R1
U007	R3108	C-CARBON R	RN72K1J-103JE	1	435031034R1
U007	R3110	C-CARBON R	RN72K1J-103JE	1	435031034R1
U007	R3111	C-CARBON R	RN72K1J-103JE	1	435031034R1
U007	R3113	C-CARBON R	RN72K1J-103JE	1	435031034R1
U007	R3115	C-CARBON R	RN72K1J-332JE	1	435033324R1
U007	R3117	C-CARBON R	RN72K1J-332JE	1	435033324R1
U007	R3119	C-CARBON R	RN72K1J-332JE	1	435033324R1
U007	R3122	C-CARBON R	RN72K1J-102JE	1	435031024R1
U007	R3123	C-CARBON R	RN72K1J-000JE	1	435030004R1
U007	R3124	C-CARBON R	RN72K1J-331JE	1	435033314R1
U007	R3125	C-CARBON R	RN72K1J-470JE	1	435034704R1
U007	R3126	C-CARBON R	RN72K1J-470JE	1	435034704R1
U007	R3127	C-CARBON R	RN72K1J-470JE	1	435034704R1
U007	R3128	C-CARBON R	RN72K1J-472JE	1	435034724R1
U007	R3129	C-CARBON R	RN72K1J-470JE	1	435034704R1
U007	R3130	C-CARBON R	RN72K1J-470JE	1	435034704R1
U007	R3131	C-CARBON R	RN72K1J-470JE	1	435034704R1
U007	R3132	C-CARBON R	RN72K1J-103JE	1	435031034R1
U007	R3133	C-CARBON R	RN72K1J-470JE	1	435034704R1
U007	R3134	C-CARBON R	RN72K1J-103JE	1	435031034R1
U007	R3135	C-CARBON R	RN72K1J-103JE	1	435031034R1
U007	R3136	C-CARBON R	RN72K1J-000JE	1	435030004R1
U007	R3137	C-CARBON R	RN72K1J-000JE	1	435030004R1
U007	R3139	C-CARBON R	RN72K1J-101JE	1	435031014R1
U007	R3143	C-CARBON R	RN72K1J-392JE	1	435033924R1
U007	R3144	C-CARBON R	RN72K1J-101JE	1	435031014R1
U007	R3145	C-CARBON R	RN72K1J-392JE	1	435033924R1
U007	R3146	C-CARBON R	RN72K1J-390JE	1	435033904R1
U007	R3147	C-CARBON R	RN72K1J-000JE	1	435030004R1
U007	R3148	C-CARBON R	RN72K1J-390JE	1	435033904R1
U007	R3149	C-CARBON R	RN72K1J-102JE	1	435031024R1
U007	R3150	C-CARBON R	RN72K1J-680JE	1	435036804R1

U007	R3151	C-CARBON R	RN72K1J-103JE	1	435031034R1
U007	R3152	C-CARBON R	RN72K1J-103JE	1	435031034R1
U007	R3154	C-CARBON R	RN72K1J-390JE	1	435033904R1
U007	R3155	C-CARBON R	RN72K1J-390JE	1	435033904R1
U007	R3156	C-CARBON R	RN72K1J-390JE	1	435033904R1
U007	R3157	C-CARBON R	RN72K1J-000JE	1	435030004R1
U007	R3158	C-CARBON R	RN72K1J-000JE	1	435030004R1
U007	R3162	C-CARBON R	RN72K1J-390JE	1	435033904R1
U007	R3163	C-CARBON R	RN72K1J-220JE	1	435032204R1
U007	R3164	C-CARBON R	RN72K1J-472JE	1	435034724R1
U007	R3168	C-CARBON R	RN72K1J-220JE	1	435032204R1
U007	R3169	C-CARBON R	RN72K1J-220JE	1	435032204R1
U007	R3170	C-CARBON R	RN72K1J-391FE	1	435033912R1
U007	R3171	C-CARBON R	RN72K1J-222FE	1	435032222R1
U007	R3172	C-CARBON R	RN72K1J-392FE	1	435033922R1
U007	R3173	C-CARBON R	RN72K1J-390JE	1	435033904R1
U007	R3174	C-CARBON R	RN72K1J-390JE	1	435033904R1
U007	R3175	C-CARBON R	RN72K1J-472JE	1	435034724R1
U007	R3181	C-CARBON R	RN72K1J-470JE	1	435034704R1
U007	R3182	C-CARBON R	RN72K1J-472JE	1	435034724R1
U007	R3183	C-CARBON R	RN72K1J-470JE	1	435034704R1
U007	R3184	C-CARBON R	RN72K1J-470JE	1	435034704R1
U007	R3185	C-CARBON R	RN72K1J-102FE	1	435031022R1
U007	R3187	C-CARBON R	RN72K1J-472JE	1	435034724R1
U007	R3188	C-CARBON R	RN72K1J-472JE	1	435034724R1
U007	R3189	C-CARBON R	RN72K1J-223JE	1	435032234R1
U007	R3190	C-CARBON R	RN72K1J-472JE	1	435034724R1
U007	R3192	C-CARBON R	RN72K1J-472JE	1	435034724R1
U007	R3193	C-CARBON R	RN72K1J-472JE	1	435034724R1
U007	R3194	C-CARBON R	RN72K1J-472JE	1	435034724R1
U007	R3199	C-CARBON R	RN72K1J-102JE	1	435031024R1
U007	R3200	C-CARBON R	RN72K1J-103JE	1	435031034R1
U007	R3201	C-CARBON R	RN72K1J-103JE	1	435031034R1
U007	R3202	C-CARBON R	RN72K1J-103JE	1	435031034R1
U007	R3203	C-CARBON R	RN72K1J-103JE	1	435031034R1
U007	R3204	C-CARBON R	RN72K1J-103JE	1	435031034R1
U007	R3205	C-CARBON R	RN72K1J-103JE	1	435031034R1
U007	R3206	C-CARBON R	RN72K1J-473JE	1	435034734R1
U007	R3208	C-CARBON R	RN72K1J-271JE	1	435032714R1

U007	R3212	C-CARBON R	RN72K1J-220JE	1	435032204R1
U007	R3215	C-CARBON R	RN72K1J-221JE	1	435032214R1
U007	R3218	C-CARBON R	RN72K1J-220JE	1	435032204R1
U007	R3219	C-CARBON R	RN72K1J-221JE	1	435032214R1
U007	R3221	C-CARBON R	RN72K1J-470JE	1	435034704R1
U007	R3224	C-CARBON R	RN72K1J-331JE	1	435033314R1
U007	R3225	C-CARBON R	RN72K1J-220JE	1	435032204R1
U007	R3226	C-R NET	RM7LJ470X04	1	43484747004R2
U007	R3227	C-CARBON R	RN72K1J-470JE	1	435034704R1
U007	R3228	C-CARBON R	RN72K1J-470JE	1	435034704R1
U007	R3229	C-CARBON R	RN72K1J-470JE	1	435034704R1
U007	R3230	C-CARBON R	RN72K1J-221JE	1	435032214R1
U007	R3231	C-CARBON R	RN72K1J-470JE	1	435034704R1
U007	R3232	C-CARBON R	RN72K1J-221JE	1	435032214R1
U007	R3233	C-CARBON R	RN72K1J-221JE	1	435032214R1
U007	R3234	C-CARBON R	RN72K1J-470JE	1	435034704R1
U007	R3236	C-CARBON R	RN72K1J-470JE	1	435034704R1
U007	R3237	C-CARBON R	RN72K1J-221JE	1	435032214R1
U007	R3238	C-CARBON R	RN72K1J-470JE	1	435034704R1
U007	R3239	C-CARBON R	RN72K1J-221JE	1	435032214R1
U007	R3240	C-CARBON R	RN72K1J-103JE	1	435031034R1
U007	R3241	C-CARBON R	RN72K1J-221JE	1	435032214R1
U007	R3242	C-CARBON R	RN72K1J-221JE	1	435032214R1
U007	R3243	C-CARBON R	RN72K1J-220JE	1	435032204R1
U007	R3244	C-CARBON R	RN72K1J-470JE	1	435034704R1
U007	R3246	C-CARBON R	RN72K1J-103JE	1	435031034R1
U007	R3247	C-CARBON R	RN72K1J-121JE	1	435031214R1
U007	R3248	C-CARBON R	RN72K1J-220JE	1	435032204R1
U007	R3249	C-CARBON R	RN72K1J-470JE	1	435034704R1
U007	R3250	C-CARBON R	RN72K1J-470JE	1	435034704R1
U007	R3251	C-CARBON R	RN72K1J-470JE	1	435034704R1
U007	R3253	C-CARBON R	RN72K1J-470JE	1	435034704R1
U007	R3254	C-CARBON R	RN72K1J-470JE	1	435034704R1
U007	R3255	C-CARBON R	RN72K1J-103JE	1	435031034R1
U007	R3256	C-CARBON R	RN72K1J-470JE	1	435034704R1
U007	R3257	C-CARBON R	RN72K1J-470JE	1	435034704R1
U007	R3259	C-CARBON R	RN72K1J-220JE	1	435032204R1
U007	R3260	C-CARBON R	RN72K1J-390JE	1	435033904R1
U007	R3261	C-CARBON R	RN72K1J-470JE	1	435034704R1

U007	R3262	C-CARBON R	RN72K1J-221JE	1	435032214R1
U007	R3264	C-CARBON R	RN72K1J-470JE	1	435034704R1
U007	R3265	C-CARBON R	RN72K1J-390JE	1	435033904R1
U007	R3267	C-CARBON R	RN72K1J-470JE	1	435034704R1
U007	R3268	C-CARBON R	RN72K1J-390JE	1	435033904R1
U007	R3269	C-CARBON R	RN72K1J-103JE	1	435031034R1
U007	R3270	C-CARBON R	RN72K1J-470JE	1	435034704R1
U007	R3271	C-CARBON R	RN72K1J-390JE	1	435033904R1
U007	R3272	C-CARBON R	RN72K1J-470JE	1	435034704R1
U007	R3273	C-CARBON R	RN72K1J-470JE	1	435034704R1
U007	R3274	C-CARBON R	RN72K1J-390JE	1	435033904R1
U007	R3275	C-CARBON R	RN72K1J-220JE	1	435032204R1
U007	R3276	C-CARBON R	RN72K1J-470JE	1	435034704R1
U007	R3277	C-CARBON R	RN72K1J-220JE	1	435032204R1
U007	R3278	C-CARBON R	RN72K1J-470JE	1	435034704R1
U007	R3279	C-CARBON R	RN72K1J-470JE	1	435034704R1
U007	R3280	C-CARBON R	RN72K1J-470JE	1	435034704R1
U007	R3281	C-CARBON R	RN72K1J-103JE	1	435031034R1
U007	R3282	C-CARBON R	RN72K1J-103JE	1	435031034R1
U007	R3283	C-CARBON R	RN72K1J-103JE	1	435031034R1
U007	R3284	C-CARBON R	RN72K1J-103JE	1	435031034R1
U007	R3287	C-CARBON R	RN72K1J-220JE	1	435032204R1
U007	R3288	C-CARBON R	RN72K1J-223JE	1	435032234R1
U007	R3289	C-CARBON R	RN72K1J-472JE	1	435034724R1
U007	R3290	C-CARBON R	RN72K1J-221JE	1	435032214R1
U007	R3291	C-CARBON R	RN72K1J-105JE	1	435031054R1
U007	R3293	C-CARBON R	RN72K1J-560JE	1	435035604R1
U007	R3294	C-CARBON R	RN72K1J-561FE	1	435035612R1
U007	R3295	C-CARBON R	RN72K1J-560JE	1	435035604R1
U007	R3296	C-CARBON R	RN72K1J-223JE	1	435032234R1
U007	R3297	C-CARBON R	RN72K1J-822JE	1	435038224R1
U007	R3298	C-CARBON R	RN72K1J-332JE	1	435033324R1
U007	R3299	C-CARBON R	RN72K1J-220JE	1	435032204R1
U007	R3300	C-CARBON R	RN72K1J-153JE	1	435031534R1
U007	R3301	C-CARBON R	RN72K1J-153JE	1	435031534R1
U007	R3302	C-CARBON R	RN72K1J-331JE	1	435033314R1
U007	R3303	C-CARBON R	RN72K1J-104JE	1	435031044R1
U007	R3304	C-CARBON R	RN72K1J-153JE	1	435031534R1
U007	R3305	C-CARBON R	RN72K1J-153JE	1	435031534R1

U007	R3307	C-CARBON R	RN72K1J-104JE	1	435031044R1
U007	R3308	C-CARBON R	RN72K1J-223JE	1	435032234R1
U007	R3309	C-CARBON R	RN72K1J-822JE	1	435038224R1
U007	R3310	C-CARBON R	RN72K1J-332JE	1	435033324R1
U007	R3311	C-CARBON R	RN72K1J-471JE	1	435034714R1
U007	R3312	C-CARBON R	RN72K1J-223JE	1	435032234R1
U007	R3313	C-CARBON R	RN72K1J-472JE	1	435034724R1
U007	R3314	C-CARBON R	RN72K1J-391JE	1	435033914R1
U007	R3315	C-CARBON R	RN72K1J-750JE	1	435037504R1
U007	R3320	C-CARBON R	RN72K1J-000JE	1	435030004R1
U007	R3401	C-CARBON R	RN72K1J-000JE	1	435030004R1
U007	R3402	C-CARBON R	RN72K1J-000JE	1	435030004R1
U007	R3403	C-CARBON R	RN72K1J-000JE	1	435030004R1
U007	R3404	C-CARBON R	RN72K1J-000JE	1	435030004R1
U007	R3406	C-CARBON R	RN72K1J-332JE	1	435033324R1
U007	R3407	C-CARBON R	RN72K1J-103JE	1	435031034R1
U007	R3408	C-CARBON R	RN72K1J-331JE	1	435033314R1
U007	R3409	C-CARBON R	RN72K1J-331JE	1	435033314R1
U007	R3412	C-CARBON R	RN72K1J-472JE	1	435034724R1
U007	R3414	C-CARBON R	RN72K1J-103JE	1	435031034R1
U007	R3415	C-CARBON R	RN72K1J-331JE	1	435033314R1
U007	R3416	C-CARBON R	RN72K1J-331JE	1	435033314R1
U007	R3417	C-CARBON R	RN72K1J-331JE	1	435033314R1
U007	R3418	C-CARBON R	RN72K1J-331JE	1	435033314R1
U007	R3419	C-CARBON R	RN72K1J-331JE	1	435033314R1
U007	R3421	C-CARBON R	RN72K1J-560JE	1	435035604R1
U007	R3423	C-CARBON R	RN72K1J-000JE	1	435030004R1
U007	R3424	C-CARBON R	RN72K1J-470JE	1	435034704R1
U007	R3425	C-CARBON R	RN72K1J-470JE	1	435034704R1
U007	R3429	C-R NET	RM7LJ470X04	1	43484747004R2
U007	R3430	C-R NET	RM7LJ470X04	1	43484747004R2
U007	R3433	C-CARBON R	RN72K1J-103JE	1	435031034R1
U007	R3434	C-CARBON R	RN72K1J-332JE	1	435033324R1
U007	R3435	C-CARBON R	RN72K1J-101JE	1	435031014R1
U007	R3436	C-CARBON R	RN72K1J-560JE	1	435035604R1
U007	R3437	C-CARBON R	RN72K1J-560JE	1	435035604R1
U007	R3438	C-CARBON R	RN72K1J-560JE	1	435035604R1
U007	R3439	C-CARBON R	RN72K1J-332JE	1	435033324R1
U007	R3440	C-CARBON R	RN72K1J-332JE	1	435033324R1

U007	R3441	C-R NET	RM7LJ470X04	1	43484747004R2
U007	R3442	C-CARBON R	RN72K1J-105JE	1	435031054R1
U007	R3443	C-CARBON R	RN72K1J-561JE	1	435035614R1
U007	R3444	C-CARBON R	RN72K1J-391JE	1	435033914R1
U007	R3445	C-R NET	RM7LJ470X04	1	43484747004R2
U007	R3447	C-CARBON R	RN72K1J-560JE	1	435035604R1
U007	R3448	C-CARBON R	RN72K1J-330JE	1	435033304R1
U007	R3450	C-CARBON R	RN72K1J-560JE	1	435035604R1
U007	R3452	C-CARBON R	RN72K1J-470JE	1	435034704R1
U007	R3453	C-CARBON R	RN72K1J-470JE	1	435034704R1
U007	R3454	C-CARBON R	RN72K1J-470JE	1	435034704R1
U007	R3455	C-CARBON R	RN72K1J-121JE	1	435031214R1
U007	R3456	C-CARBON R	RN72K1J-470JE	1	435034704R1
U007	R3457	C-CARBON R	RN72K1J-470JE	1	435034704R1
U007	R3458	C-CARBON R	RN72K1J-470JE	1	435034704R1
U007	R3459	C-CARBON R	RN72K1J-470JE	1	435034704R1
U007	R3460	C-CARBON R	RN72K1J-470JE	1	435034704R1
U007	R3462	C-CARBON R	RN72K1J-102JE	1	435031024R1
U007	R3464	C-CARBON R	RN72K1J-102JE	1	435031024R1
U007	R3465	C-CARBON R	RN72K1J-102JE	1	435031024R1
U007	R3466	C-CARBON R	RN72K1J-102JE	1	435031024R1
U007	R3468	C-CARBON R	RN72K1J-103JE	1	435031034R1
U007	R3469	C-CARBON R	RN72K1J-103JE	1	435031034R1
U007	R3470	C-CARBON R	RN72K1J-103JE	1	435031034R1
U007	R3473	C-CARBON R	RN72K1J-103JE	1	435031034R1
U007	R3474	C-CARBON R	RN72K1J-103JE	1	435031034R1
U007	R3480	C-CARBON R	RN72K1J-472JE	1	435034724R1
U007	R3481	C-CARBON R	RN72K1J-332JE	1	435033324R1
U007	R3484	C-CARBON R	RN72K1J-470JE	1	435034704R1
U007	R3485	C-CARBON R	RN72K1J-470JE	1	435034704R1
U007	R3486	C-CARBON R	RN72K1J-472JE	1	435034724R1
U007	R3487	C-CARBON R	RN72K1J-331JE	1	435033314R1
U007	R3488	C-CARBON R	RN72K1J-332JE	1	435033324R1
U007	R3489	C-CARBON R	RN72K1J-470JE	1	435034704R1
U007	R3491	C-CARBON R	RN72K1J-332JE	1	435033324R1
U007	R3492	C-CARBON R	RN72K1J-331JE	1	435033314R1
U007	R3494	C-R NET	RM7LJ470X04	1	43484747004R2
U007	R3495	C-R NET	RM7LJ470X04	1	43484747004R2
U007	R3496	C-R NET	RM7LJ470X04	1	43484747004R2

U007	R3497	C-R NET	RM7LJ470X04	1	43484747004R2
U007	R3498	C-CARBON R	RN72K1J-331JE	1	435033314R1
U007	R3500	C-CARBON R	RN72K1J-470JE	1	435034704R1
U007	R3501	C-CARBON R	RN72K1J-470JE	1	435034704R1
U007	R3502	C-CARBON R	RN72K1J-470JE	1	435034704R1
U007	R3503	C-CARBON R	RN72K1J-470JE	1	435034704R1
U007	R3504	C-CARBON R	RN72K1J-470JE	1	435034704R1
U007	R3505	C-CARBON R	RN72K1J-470JE	1	435034704R1
U007	R3506	C-CARBON R	RN72K1J-470JE	1	435034704R1
U007	R3508	C-CARBON R	RN72K1J-470JE	1	435034704R1
U007	R3510	C-CARBON R	RN72K1J-470JE	1	435034704R1
U007	R3513	C-CARBON R	RN72K1J-470JE	1	435034704R1
U007	R3515	C-CARBON R	RN72K1J-470JE	1	435034704R1
U007	R3516	C-CARBON R	RN72K1J-472JE	1	435034724R1
U007	R3670	C-CARBON R	RN72K1J-103JE	1	435031034R1
U007	R3673	C-CARBON R	RN72K1J-082JE	1	435030824R1
U007	R3674	C-CARBON R	RN72K1J-000JE	1	435030004R1
U007	R8000	C-CARBON R	RN72K1J-103JE	1	435031034R1
U007	R8003	C-CARBON R	RN72K1J-000JE	1	435030004R1
U007	R8004	C-CARBON R	RN72K1J-103JE	1	435031034R1
U007	R8005	C-CARBON R	RN72K1J-103JE	1	435031034R1
U007	R8006	C-CARBON R	RN72K1J-472JE	1	435034724R1
U007	R8007	C-CARBON R	RN72K1J-472JE	1	435034724R1
U007	R8008	C-CARBON R	RN72K1J-103JE	1	435031034R1
U007	R8009	C-CARBON R	RN72K1J-000JE	1	435030004R1
U007	R8010	C-R NET	RM7LJ510X04	1	43484751004R2
U007	R8011	C-R NET	RM7LJ510X04	1	43484751004R2
U007	R8012	C-R NET	RM7LJ510X04	1	43484751004R2
U007	R8013	C-R NET	RM7LJ510X04	1	43484751004R2
U007	R8014	C-R NET	RM7LJ510X04	1	43484751004R2
U007	R8015	C-CARBON R	MCR03EZPF49R9(49.9_1%)	1	4100037R2
U007	R8016	C-CARBON R	MCR03EZPF49R9(49.9_1%)	1	4100037R2
U007	R8017	C-CARBON R	MCR03EZPF49R9(49.9_1%)	1	4100037R2
U007	R8018	C-CARBON R	RN72K1J-000JE	1	435030004R1
U007	R8019	C-CARBON R	RN72K1J-000JE	1	435030004R1
U007	R8037	C-CARBON R	RN72K1J-000JE	1	435030004R1
U007	R8042	C-CARBON R	MCR03EZPF49R9(49.9_1%)	1	4100037R2
U007	R8043	C-CARBON R	MCR03EZPF49R9(49.9_1%)	1	4100037R2
U007	R8045	C-CARBON R	RN72K1J-331FE	1	435033312R1

U007	R8046	C-CARBON R	RN72K1J-332FE	1	435033322R1
U007	R8047	C-CARBON R	RN72K1J-271FE	1	435032712R1
U007	R8048	C-CARBON R	RN72K1J-222FE	1	435032222R1
U007	R8049	C-CARBON R	RN72K1J-750JE	1	435037504R1
U007	R8050	C-CARBON R	RN72K1J-750JE	1	435037504R1
U007	R8052	C-CARBON R	RN72K1J-472JE	1	435034724R1
U007	R8053	C-R NET	RM7LJ220X04	1	43484722004R2
U007	R8054	C-R NET	RM7LJ220X04	1	43484722004R2
U007	R8055	C-R NET	RM7LJ220X04	1	43484722004R2
U007	R8056	C-R NET	RM7LJ220X04	1	43484722004R2
U007	R8057	C-R NET	RM7LJ220X04	1	43484722004R2
U007	R8058	C-R NET	RM7LJ220X04	1	43484722004R2
U007	R8059	C-R NET	RM7LJ220X04	1	43484722004R2
U007	R8060	C-R NET	RM7LJ220X04	1	43484722004R2
U007	R8061	C-R NET	RM7LJ220X04	1	43484722004R2
U007	R8062	C-R NET	RM7LJ220X04	1	43484722004R2
U007	R8063	C-CARBON R	RN72K1J-100JE	1	435031004R1
U007	R8064	C-CARBON R	RN72K1J-100JE	1	435031004R1
U007	R8067	C-CARBON R	RN72K1J-220JE	1	435032204R1
U007	R8068	C-CARBON R	RN72K1J-220JE	1	435032204R1
U007	R8070	C-CARBON R	RN72K1J-103JE	1	435031034R1
U007	R8073	C-CARBON R	RN72K1J-182JE	1	435031824R1
U007	R8074	C-CARBON R	RN72K1J-182JE	1	435031824R1
U007	R8077	C-CARBON R	RN72K1J-104JE	1	435031044R1
U007	R8078	C-CARBON R	RN72K1J-472JE	1	435034724R1
U007	R8079	C-CARBON R	RN72K1J-473JE	1	435034734R1
U007	R8080	C-CARBON R	RN72K1J-101JE	1	435031014R1
U007	R8081	C-CARBON R	RN72K1J-101JE	1	435031014R1
U007	R8082	C-CARBON R	RN72K1J-101JE	1	435031014R1
U007	R8083	C-CARBON R	RN72K1J-101JE	1	435031014R1
U007	R8084	C-CARBON R	RN72K1J-100JE	1	435031004R1
U007	R8085	C-CARBON R	RN72K1J-100JE	1	435031004R1
U007	R8086	C-CARBON R	RN72K1J-100JE	1	435031004R1
U007	R8087	C-CARBON R	RN72K1J-823JE	1	435038234R1
U007	R8088	C-CARBON R	RN72K1J-103JE	1	435031034R1
U007	R8089	C-CARBON R	RN72K1J-330JE	1	435033304R1
U007	R8090	C-CARBON R	RN72K1J-103JE	1	435031034R1
U007	R8091	C-CARBON R	RN72K1J-220JE	1	435032204R1
U007	R8092	C-CARBON R	RN72K1J-220JE	1	435032204R1

U007	R8093	C-CARBON R	RN72K1J-220JE	1	435032204R1
U007	R8094	C-CARBON R	RN72K1J-472JE	1	435034724R1
U007	R8095	C-CARBON R	RN72K1J-105JE	1	435031054R1
U007	R8096	C-CARBON R	RN72K1J-101JE	1	435031014R1
U007	R8097	C-CARBON R	RN72K1J-101JE	1	435031014R1
U007	R8098	C-CARBON R	RN72K1J-220JE	1	435032204R1
U007	R8099	C-CARBON R	RN72K1J-101JE	1	435031014R1
U007	R8102	C-CARBON R	RN72K1J-472JE	1	435034724R1
U007	R8103	C-CARBON R	RN72K1J-472JE	1	435034724R1
U007	R8104	C-CARBON R	RN72K1J-472JE	1	435034724R1
U007	R8105	C-CARBON R	RN72K1J-472JE	1	435034724R1
U007	R8107	C-CARBON R	RN72K1J-472JE	1	435034724R1
U007	R8108	C-CARBON R	RN72K1J-472JE	1	435034724R1
U007	R8109	C-CARBON R	RN72K1J-472JE	1	435034724R1
U007	R8110	C-CARBON R	RN72K1J-472JE	1	435034724R1
U007	R8111	C-CARBON R	RN72K1J-101JE	1	435031014R1
U007	R8112	C-CARBON R	RN72K1J-101JE	1	435031014R1
U007	R8113	C-CARBON R	RN72K1J-101JE	1	435031014R1
U007	R8114	C-CARBON R	RN72K1J-101JE	1	435031014R1
U007	R8115	C-CARBON R	RN72K1J-103JE	1	435031034R1
U007	R8116	C-CARBON R	RN72K1J-000JE	1	435030004R1
U007	R8117	C-CARBON R	RN72K1J-470JE	1	435034704R1
U007	R8118	C-CARBON R	RN72K1J-470JE	1	435034704R1
U007	R8122	C-CARBON R	RN72K1J-220JE	1	435032204R1
U007	R8123	C-CARBON R	RN72K1J-220JE	1	435032204R1
U007	R8124	C-CARBON R	RN72K1J-220JE	1	435032204R1
U007	R8125	C-CARBON R	RN72K1J-220JE	1	435032204R1
U007	R8126	C-CARBON R	RN72K1J-472JE	1	435034724R1
U007	R8127	C-CARBON R	RN72K1J-472JE	1	435034724R1
U007	R8128	C-CARBON R	RN72K1J-103JE	1	435031034R1
U007	R8129	C-CARBON R	RN72K1J-103JE	1	435031034R1
U007	R8132	C-CARBON R	RN72K1J-472JE	1	435034724R1
U007	R8133	C-CARBON R	RN72K1J-000JE	1	435030004R1
U007	R8136	C-CARBON R	RN72K1J-000JE	1	435030004R1
U007	R8141	C-CARBON R	RN72K1J-000JE	1	435030004R1
U007	R8142	C-CARBON R	RN72K1J-000JE	1	435030004R1
U007	R8143	C-CARBON R	RN72K1J-101JE	1	435031014R1
U007	R8147	C-CARBON R	RN72K1J-104JE	1	435031044R1
U007	R8149	C-CARBON R	RN72K1J-104JE	1	435031044R1

U007	R8150	C-CARBON R	RN72K1J-104JE	1	435031044R1
U007	R8151	C-CARBON R	RN72K1J-104JE	1	435031044R1
U007	R8152	C-CARBON R	RN72K1J-104JE	1	435031044R1
U007	R8191	C-CARBON R	RN72K1J-332JE	1	435033324R1
U007	R8201	C-CARBON R	RN72K1J-103JE	1	435031034R1
U007	R8202	C-CARBON R	RN72K1J-103JE	1	435031034R1
U007	R8203	C-CARBON R	RN72K1J-101JE	1	435031014R1
U007	R8204	C-CARBON R	RN72K1J-101JE	1	435031014R1
U007	R8205	C-CARBON R	RN72K1J-120JE	1	435031204R1
U007	R8206	C-CARBON R	RN72K1J-120JE	1	435031204R1
U007	R8207	C-CARBON R	RN72K1J-120JE	1	435031204R1
U007	R8208	C-CARBON R	RN72K1J-120JE	1	435031204R1
U007	R8209	C-CARBON R	RN72K1J-120JE	1	435031204R1
U007	R8210	C-CARBON R	RN72K1J-120JE	1	435031204R1
U007	R8211	C-CARBON R	RN72K1J-120JE	1	435031204R1
U007	R8212	C-CARBON R	RN72K1J-390JE	1	435033904R1
U007	R8213	C-CARBON R	RN72K1J-120JE	1	435031204R1
U007	R8214	C-CARBON R	RN72K1J-390JE	1	435033904R1
U007	R8215	C-CARBON R	RN72K1J-120JE	1	435031204R1
U007	R8216	C-CARBON R	RN72K1J-390JE	1	435033904R1
U007	R8217	C-CARBON R	RN72K1J-120JE	1	435031204R1
U007	R8218	C-CARBON R	RN72K1J-120JE	1	435031204R1
U007	R8219	C-CARBON R	RN72K1J-120JE	1	435031204R1
U007	R8220	C-CARBON R	RN72K1J-120JE	1	435031204R1
U007	R8221	C-CARBON R	RN72K1J-120JE	1	435031204R1
U007	R8222	C-CARBON R	RN72K1J-120JE	1	435031204R1
U007	R8223	C-CARBON R	RN72K1J-120JE	1	435031204R1
U007	R8224	C-CARBON R	RN72K1J-120JE	1	435031204R1
U007	R8225	C-CARBON R	RN72K1J-120JE	1	435031204R1
U007	R8226	C-CARBON R	RN72K1J-390JE	1	435033904R1
U007	R8227	C-CARBON R	RN72K1J-120JE	1	435031204R1
U007	R8228	C-CARBON R	RN72K1J-390JE	1	435033904R1
U007	R8229	C-CARBON R	RN72K1J-120JE	1	435031204R1
U007	R8230	C-CARBON R	RN72K1J-390JE	1	435033904R1
U007	R8231	C-CARBON R	RN72K1J-120JE	1	435031204R1
U007	R8232	C-CARBON R	RN72K1J-390JE	1	435033904R1
U007	R8233	C-CARBON R	RN72K1J-000JE	1	435030004R1
U007	R8236	C-CARBON R	RN72K1J-000JE	1	435030004R1
U007	R8237	C-CARBON R	RN72K1J-000JE	1	435030004R1

U007	R8239	C-CARBON R	RN72K1J-000JE	1	435030004R1
U007	R8240	C-CARBON R	RN72K1J-000JE	1	435030004R1
U007	R8241	C-CARBON R	RN72K1J-472JE	1	435034724R1
U007	R8242	C-CARBON R	RN72K1J-103JE	1	435031034R1
U007	R8243	C-CARBON R	RN72K1J-220JE	1	435032204R1
U007	R8244	C-CARBON R	RN72K1J-102JE	1	435031024R1
U007	R8245	C-CARBON R	RN72K1J-102JE	1	435031024R1
U007	R8248	C-CARBON R	RN72K1J-000JE	1	435030004R1
U007	R8251	C-CARBON R	RN72K1J-472JE	1	435034724R1
U007	R8252	C-CARBON R	RN72K1J-472JE	1	435034724R1
U007	R8253	C-CARBON R	RN72K1J-102FE	1	435031022R1
U007	R8254	C-CARBON R	RN72K1J-220JE	1	435032204R1
U007	R8255	C-CARBON R	RN72K1J-220JE	1	435032204R1
U007	R8256	C-CARBON R	RN72K1J-472JE	1	435034724R1
U007	R8257	C-CARBON R	RN72K1J-472JE	1	435034724R1
U007	R8258	C-CARBON R	RN72K1J-220JE	1	435032204R1
U007	R8259	C-CARBON R	RN72K1J-220JE	1	435032204R1
U007	R8260	C-R NET	RM7LJ220X04	1	43484722004R2
U007	R8261	C-R NET	RM7LJ220X04	1	43484722004R2
U007	R8262	C-R NET	RM7LJ220X04	1	43484722004R2
U007	R8263	C-R NET	RM7LJ220X04	1	43484722004R2
U007	R8264	C-R NET	RM7LJ220X04	1	43484722004R2
U007	R8265	C-R NET	RM7LJ220X04	1	43484722004R2
U007	R8266	C-R NET	RM7LJ220X04	1	43484722004R2
U007	R8267	C-R NET	RM7LJ220X04	1	43484722004R2
U007	R8268	C-R NET	RM7LJ330X04	1	43484733004R2
U007	R8269	C-R NET	RM7LJ330X04	1	43484733004R2
U007	R8270	C-R NET	RM7LJ330X04	1	43484733004R2
U007	R8271	C-R NET	RM7LJ330X04	1	43484733004R2
U007	R8272	C-R NET	RM7LJ330X04	1	43484733004R2
U007	R8273	C-R NET	RM7LJ330X04	1	43484733004R2
U007	R8274	C-R NET	RM7LJ330X04	1	43484733004R2
U007	R8275	C-R NET	RM7LJ330X04	1	43484733004R2
U007	R8276	C-R NET	RM7LJ330X04	1	43484733004R2
U007	R8277	C-CARBON R	RN72K1J-100JE	1	435031004R1
U007	R8278	C-R NET	RM7LJ330X04	1	43484733004R2
U007	R8279	C-CARBON R	RN72K1J-101JE	1	435031014R1
U007	R8280	C-CARBON R	RN72K1J-101JE	1	435031014R1
U007	R8281	C-CARBON R	RN72K1J-330JE	1	435033304R1

U007	R8282	C-CARBON R	RN72K1J-330JE	1	435033304R1
U007	R8283	C-CARBON R	RN72K1J-101JE	1	435031014R1
U007	R8284	C-R NET	RM7LJ330X04	1	43484733004R2
U007	R8285	C-CARBON R	RN72K1J-470JE	1	435034704R1
U007	R8286	C-CARBON R	RN72K1J-000JE	1	435030004R1
U007	R8287	C-CARBON R	RN72K1J-102FE	1	435031022R1
U007	R8288	C-CARBON R	RN72K1J-103JE	1	435031034R1
U007	R8289	C-CARBON R	RN72K1J-103JE	1	435031034R1
U007	R8291	C-CARBON R	RN72K1J-120JE	1	435031204R1
U007	R8292	C-CARBON R	RN72K1J-120JE	1	435031204R1
U007	R8295	C-CARBON R	RN72K1J-750JE	1	435037504R1
U007	R8296	C-CARBON R	RN72K1J-750JE	1	435037504R1
U007	R8297	C-CARBON R	RN72K1J-750JE	1	435037504R1
U007	R8298	C-CARBON R	RN72K1J-750JE	1	435037504R1
U007	R8299	C-CARBON R	RN72K1J-750JE	1	435037504R1
U007	R8300	C-CARBON R	RN72K1J-750JE	1	435037504R1
U007	R8301	C-CARBON R	RN72K1J-120JE	1	435031204R1
U007	R8302	C-CARBON R	RN72K1J-120JE	1	435031204R1
U007	R8303	C-CARBON R	RN72K1J-120JE	1	435031204R1
U007	R8304	C-CARBON R	RN72K1J-390JE	1	435033904R1
U007	R8305	C-CARBON R	RN72K1J-120JE	1	435031204R1
U007	R8306	C-CARBON R	RN72K1J-390JE	1	435033904R1
U007	R8451	C-R NET	RM7LJ220X04	1	43484722004R2
U007	R8452	C-R NET	RM7LJ220X04	1	43484722004R2
U007	R8453	C-R NET	RM7LJ220X04	1	43484722004R2
U007	R8454	C-R NET	RM7LJ220X04	1	43484722004R2
U007	R8455	C-R NET	RM7LJ220X04	1	43484722004R2
U007	R8456	C-CARBON R	RN72K1J-000JE	1	435030004R1
U007	R8458	C-R NET	RM7LJ220X04	1	43484722004R2
U007	R8465	C-R NET	RM7LJ220X04	1	43484722004R2
U007	R8466	C-R NET	RM7LJ220X04	1	43484722004R2
U007	R8467	C-R NET	RM7LJ220X04	1	43484722004R2
U007	R8469	C-CARBON R	RN72K1J-220JE	1	435032204R1
U007	R8473	C-CARBON R	RN72K1J-562JE	1	435035624R1
U007	R8475	C-R NET	RM7LJ220X04	1	43484722004R2
U007	R8479	C-CARBON R	RN72K1J-182JE	1	435031824R1
U007	R8480	C-CARBON R	RN72K1J-182JE	1	435031824R1
U007	R8481	C-CARBON R	RN72K1J-472JE	1	435034724R1
U007	R8483	C-CARBON R	RN72K1J-472JE	1	435034724R1

U007	R8484	C-CARBON R	RN72K1J-220JE	1	435032204R1
U007	R8485	C-R NET	RM7LJ220X04	1	43484722004R2
U007	R8486	C-CARBON R	RN72K1J-220JE	1	435032204R1
U007	R8487	C-CARBON R	RN72K1J-220JE	1	435032204R1
U007	R8488	C-CARBON R	RN72K1J-220JE	1	435032204R1
U007	R8489	C-CARBON R	RN72K1J-220JE	1	435032204R1
U007	R8491	C-CARBON R	RN72K1J-101JE	1	435031014R1
U007	R8492	C-CARBON R	RN72K1J-104JE	1	435031044R1
U007	R8493	C-CARBON R	RN72K1J-473JE	1	435034734R1
U007	R8502	C-CARBON R	RN72K1J-103JE	1	435031034R1
U007	R8503	C-CARBON R	RN72K1J-330JE	1	435033304R1
U007	R8504	C-CARBON R	RN72K1J-103JE	1	435031034R1
U007	R8505	C-CARBON R	RN72K1J-330JE	1	435033304R1
U007	R8506	C-CARBON R	RN72K1J-105JE	1	435031054R1
U007	R8507	C-CARBON R	RN72K1J-000JE	1	435030004R1
U007	R8508	C-CARBON R	RN72K1J-330JE	1	435033304R1
U007	R8509	C-CARBON R	RN72K1J-103JE	1	435031034R1
U007	R8510	C-CARBON R	RN72K1J-103JE	1	435031034R1
U007	R8511	C-CARBON R	RN72K1J-103JE	1	435031034R1
U007	R8512	C-CARBON R	RN72K1J-103JE	1	435031034R1
U007	R8513	C-CARBON R	RN72K1J-103JE	1	435031034R1
U007	R8514	C-CARBON R	RN72K1J-103JE	1	435031034R1
U007	R8515	C-CARBON R	RN72K1J-103JE	1	435031034R1
U007	R8516	C-CARBON R	RN72K1J-103JE	1	435031034R1
U007	R8519	C-CARBON R	RN72K1J-000JE	1	435030004R1
U007	R8520	C-CARBON R	RN72K1J-000JE	1	435030004R1
U007	R8543	C-CARBON R	RN72K1J-103JE	1	435031034R1
U007	R8613	C-CARBON R	RN72K1J-473JE	1	435034734R1
U007	R8614	C-CARBON R	RN72K1J-473JE	1	435034734R1
U007	R8623	C-CARBON R	RN72K1J-473JE	1	435034734R1
U007	R8624	C-CARBON R	RN72K1J-473JE	1	435034734R1
U007	R8633	C-CARBON R	RN72K1J-473JE	1	435034734R1
U007	R8634	C-CARBON R	RN72K1J-473JE	1	435034734R1
U007	R8643	C-CARBON R	RN72K1J-473JE	1	435034734R1
U007	R8644	C-CARBON R	RN72K1J-473JE	1	435034734R1
U007	R8653	C-CARBON R	RN72K1J-473JE	1	435034734R1
U007	R8654	C-CARBON R	RN72K1J-473JE	1	435034734R1
U007	R8663	C-CARBON R	RN72K1J-473JE	1	435034734R1
U007	R8664	C-CARBON R	RN72K1J-473JE	1	435034734R1

U007	R8665	C-CARBON R	RN72K1J-103JE	1	435031034R1
U007	R8666	C-CARBON R	RN72K1J-102JE	1	435031024R1
U007	R8667	C-CARBON R	RN72K1J-000JE	1	435030004R1
U007	R8668	C-CARBON R	RN72K1J-000JE	1	435030004R1
U007	R8669	C-CARBON R	RN72K1J-000JE	1	435030004R1
U007	R8673	C-CARBON R	RN72K1J-473JE	1	435034734R1
U007	R8674	C-CARBON R	RN72K1J-473JE	1	435034734R1
U007	R8675	C-CARBON R	RN72K1J-103JE	1	435031034R1
U007	R8676	C-CARBON R	RN72K1J-102JE	1	435031024R1
U007	R8677	C-CARBON R	RN72K1J-000JE	1	435030004R1
U007	R8678	C-CARBON R	RN72K1J-000JE	1	435030004R1
U007	R8679	C-CARBON R	RN72K1J-000JE	1	435030004R1
U007	R8696	C-CARBON R	RN72K1J-472JE	1	435034724R1
U007	R8697	C-CARBON R	RN72K1J-472JE	1	435034724R1
U007	R8698	C-CARBON R	RN72K1J-102JE	1	435031024R1
U007	R8699	C-CARBON R	RN72K1J-103JE	1	435031034R1
U007	R8701	C-CARBON R	RN72K1J-103JE	1	435031034R1
U007	R8702	C-CARBON R	RN72K1J-000JE	1	435030004R1
U007	R8703	C-CARBON R	RN72K1J-220JE	1	435032204R1
U007	R8704	C-CARBON R	RN72K1J-103JE	1	435031034R1
U007	R8705	C-R NET	RM7LJ103X04	1	43484710304R2
U007	R8706	C-CARBON R	RN72K1J-103JE	1	435031034R1
U007	R8707	C-CARBON R	RN72K1J-103JE	1	435031034R1
U007	R8708	C-R NET	RM7LJ103X04	1	43484710304R2
U007	R8709	C-CARBON R	RN72K1J-220JE	1	435032204R1
U007	R8710	C-CARBON R	RN72K1J-222JE	1	435032224R1
U007	R8711	C-CARBON R	RN72K1J-222JE	1	435032224R1
U007	R8712	C-CARBON R	RN72K1J-103JE	1	435031034R1
U007	R8713	C-R NET	RM7LJ220X04	1	43484722004R2
U007	R8714	C-CARBON R	RN72K1J-222JE	1	435032224R1
U007	R8715	C-CARBON R	RN72K1J-222JE	1	435032224R1
U007	R8717	C-R NET	RM7LJ222X04	1	43484722204R2
U007	R8718	C-R NET	RM7LJ103X04	1	43484710304R2
U007	R8719	C-R NET	RM7LJ103X04	1	43484710304R2
U007	R8720	C-CARBON R	RN72K1J-220JE	1	435032204R1
U007	R8722	C-CARBON R	RN72K1J-222JE	1	435032224R1
U007	R8723	C-CARBON R	RN72K1J-222JE	1	435032224R1
U007	R8724	C-CARBON R	RN72K1J-222JE	1	435032224R1
U007	R8725	C-CARBON R	RN72K1J-103JE	1	435031034R1

U007	R8726	C-CARBON R	RN72K1J-222JE	1	435032224R1
U007	R8727	C-CARBON R	RN72K1J-103JE	1	435031034R1
U007	R8728	C-CARBON R	RN72K1J-103JE	1	435031034R1
U007	R8729	C-CARBON R	RN72K1J-000JE	1	435030004R1
U007	R8730	C-CARBON R	RN72K1J-103JE	1	435031034R1
U007	R8732	C-CARBON R	RN72K1J-103JE	1	435031034R1
U007	R8734	C-CARBON R	RN72K1J-103JE	1	435031034R1
U007	R8735	C-CARBON R	RN72K1J-103JE	1	435031034R1
U007	R8737	C-CARBON R	RN72K1J-222JE	1	435032224R1
U007	R8738	C-CARBON R	RN72K1J-222JE	1	435032224R1
U007	R8739	C-CARBON R	RN72K1J-472JE	1	435034724R1
U007	R8740	C-CARBON R	RN72K1J-472JE	1	435034724R1
U007	R8742	C-CARBON R	RN72K1J-000JE	1	435030004R1
U007	R8743	C-CARBON R	RN72K1J-000JE	1	435030004R1
U007	R8744	C-R NET	RM7LJ103X04	1	43484710304R2
U007	R8745	C-CARBON R	RN72K1J-103JE	1	435031034R1
U007	R8746	C-CARBON R	RN72K1J-103JE	1	435031034R1
U007	R8747	C-CARBON R	RN72K1J-103JE	1	435031034R1
U007	R8749	C-CARBON R	RN72K1J-220JE	1	435032204R1
U007	R8750	C-CARBON R	RN72K1J-103JE	1	435031034R1
U007	R8755	C-CARBON R	RN72K1J-222JE	1	435032224R1
U007	R8756	C-CARBON R	RN72K1J-222JE	1	435032224R1
U007	R8757	C-CARBON R	RN72K1J-222JE	1	435032224R1
U007	R8758	C-CARBON R	RN72K1J-222JE	1	435032224R1
U007	R8759	C-CARBON R	RN72K1J-470JE	1	435034704R1
U007	R8760	C-CARBON R	RN72K1J-470JE	1	435034704R1
U007	R8931	C-CARBON R	RN72K1J-103JE	1	435031034R1
U007	R8932	C-CARBON R	RN72K1J-562JE	1	435035624R1
U007	R8933	C-CARBON R	RN72K1J-182JE	1	435031824R1
U007	R8934	C-CARBON R	RN72K1J-222FE	1	435032222R1
U007	R8935	C-CARBON R	RN72K1J-183FE	1	435031832R1
U007	R8936	C-CARBON R	RN72K1J-103FE	1	435031032R1
U007	R8937	C-CARBON R	RN72K1J-000JE	1	435030004R1
U007	R8941	C-CARBON R	RN72K1J-103JE	1	435031034R1
U007	R8942	C-CARBON R	RN72K1J-123JE	1	435031234R1
U007	R8943	C-CARBON R	RN72K1J-332JE	1	435033324R1
U007	R8945	C-CARBON R	RN72K1J-103FE	1	435031032R1
U007	R8946	C-CARBON R	RN72K1J-103FE	1	435031032R1
U007	R8947	C-CARBON R	RN72K1J-103JE	1	435031034R1

U007	R8949	C-CARBON R	RN72K1J-123JE	1	435031234R1	
U007	R8951	C-CARBON R	RN72K1J-103JE	1	435031034R1	
U007	R8952	C-CARBON R	RN72K1J-682JE	1	435036824R1	
U007	R8953	C-CARBON R	RN72K1J-562JE	1	435035624R1	
U007	R8954	C-CARBON R	RN72K1J-273FE	1	435032732R1	
U007	R8955	C-CARBON R	RN72K1J-824FE	1	435038242R1	
U007	R8956	C-CARBON R	RN72K1J-103FE	1	435031032R1	
U007	R8957	C-CARBON R	RN72K1J-103JE	1	435031034R1	
U007	R8961	C-CARBON R	RN72K1J-103JE	1	435031034R1	
U007	R8962	C-CARBON R	RN72K1J-822JE	1	435038224R1	
U007	R8963	C-CARBON R	RN72K1J-822JE	1	435038224R1	
U007	R8964	C-CARBON R	RN72K1J-563FE	1	435035632R1	
U007	R8965	C-CARBON R	RN72K1J-274FE	1	435032742R1	
U007	R8966	C-CARBON R	RN72K1J-103FE	1	435031032R1	
U007	R8971	C-CARBON R	RN72K1J-472JE	1	435034724R1	
U007	R8972	C-CARBON R	RN72K1J-392FE	1	435033922R1	
U007	R8973	C-CARBON R	RN72K1J-332FE	1	435033322R1	
U007	R8974	C-CARBON R	RN72K1J-393FE	1	435033932R1	
U007	RN8541	C-R NET	RM7LJ000X04	1	43484700004R2	
U007	RN8542	C-R NET	RM7LJ000X04	1	43484700004R2	
U007	RN8543	C-R NET	RM7LJ000X04	1	43484700004R2	
U007	RN8544	C-R NET	RM7LJ000X04	1	43484700004R2	
U007	RN8545	C-R NET	RM7LJ000X04	1	43484700004R2	
U007	RN8546	C-R NET	RM7LJ000X04	1	43484700004R2	
U007	RN8547	C-R NET	RM7LJ000X04	1	43484700004R2	
U007	RN8548	C-R NET	RM7LJ000X04	1	43484700004R2	
U007	RN8549	C-R NET	RM7LJ000X04	1	43484700004R2	
U007	RN8550	C-R NET	RM7LJ000X04	1	43484700004R2	
U007	[SW TRM]					
U007	JL2100B	SOCKET	NSCT-5P97	1	25050269	
U007	JL4518B	WIRE TRAP	NPLG-5P588	1	25055626	
U007	P2101B	SOCKET	NSCT-19P2112	1	25052215	
U007	P3101A	PLUG	NPLG-5P918	1	25055965R2	
U007	P3102A	SOCKET	NSCT-9P2472	1	25052575R2	
U007	P3103A	SOCKET	C00124K221700	1	25053410	N
U007	P3104	SOCKET	RB1-105B8A1F	1	25053409	
U007	P3104 or	SOCKET	SI-60073-F	(1)	25053307	
U007	P3104 or	SOCKET	EJFR0002	(1)	25056668	
U007	P3605A	PLUG	IMSA-9142B-18A	1	25056599	

U007	P3607A	PLUG	IMSA-9142B-16A	1	25056598
U007	P3608A	PLUG	IMSA-9142B-18A	1	25056599
U007	P3610	SOCKET	NSCT-8P2471	1	25052574R2
U007	P8002B	SOCKET	NSCT-11P2474	1	25052577R2
U007	P8030	SOCKET	IMSA-9618S-04A	1	25053329R2
U007	P8100	TRM-423(SCREW)	NEJITANSI ST3	1	25060495
U007	P8101	SOCKET	TCX3400-111387	1	25053406R3
U007	P8101 or	SOCKET	YKF45-7037V	(1)	25053253R3
U007	P8101 or	SOCKET	HDMI(47266-4101)	(1)	25053389R3
U007	P8104	SOCKET	NSCT-8P2471	1	25052574R2
U007	P8451	SOCKET	TCX3400-111387	1	25053406R3
U007	P8451 or	SOCKET	YKF45-7037V	(1)	25053253R3
U007	P8451 or	SOCKET	HDMI(47266-4101)	(1)	25053389R3
U007	P8611	SOCKET	TCX3400-111387	1	25053406R3
U007	P8611 or	SOCKET	YKF45-7037V	(1)	25053253R3
U007	P8611 or	SOCKET	HDMI(47266-4101)	(1)	25053389R3
U007	P8621	SOCKET	TCX3400-111387	1	25053406R3
U007	P8621 or	SOCKET	YKF45-7037V	(1)	25053253R3
U007	P8621 or	SOCKET	HDMI(47266-4101)	(1)	25053389R3
U007	P8631	SOCKET	TCX3400-111387	1	25053406R3
U007	P8631 or	SOCKET	YKF45-7037V	(1)	25053253R3
U007	P8631 or	SOCKET	HDMI(47266-4101)	(1)	25053389R3
U007	P8641	SOCKET	TCX3400-111387	1	25053406R3
U007	P8641 or	SOCKET	YKF45-7037V	(1)	25053253R3
U007	P8641 or	SOCKET	HDMI(47266-4101)	(1)	25053389R3
U007	P8651	SOCKET	TCX3400-111387	1	25053406R3
U007	P8651 or	SOCKET	YKF45-7037V	(1)	25053253R3
U007	P8651 or	SOCKET	HDMI(47266-4101)	(1)	25053389R3
U007	P8661	SOCKET	TCX3400-111387	1	25053406R3
U007	P8661 or	SOCKET	YKF45-7037V	(1)	25053253R3
U007	P8661 or	SOCKET	HDMI(47266-4101)	(1)	25053389R3
U007	P8671	SOCKET	TCX3400-111387	1	25053406R3
U007	P8671 or	SOCKET	YKF45-7037V	(1)	25053253R3
U007	P8671 or	SOCKET	HDMI(47266-4101)	(1)	25053389R3
U007	P8682A	SOCKET	FX16-31S-0.5SH	1	25053365R2
U007	P8702	SOCKET	NSCT-9P2472	1	25052575R2
U008	U0081	Front HDMI terminal board ass'y	BAHDM-0801-1B		
U008					

U008	CIRCUIT NO.	PART NAME	DESCRIPTION	Q'TY	PART NO. (SN)	REMARKS
U008	[SEMI CONDUCTOR]					
U008	D3300	C-DIODE	KDS4148U	1	223283R2	
U008	D3300 or	C-DIODE	1SS352	(1)	223234R2	
U008	D3301	C-DIODE	KDS4148U	1	223283R2	
U008	D3301 or	C-DIODE	1SS352	(1)	223234R2	
U008	D8861	C-DIODE	KDS4148U	1	223283R2	
U008	D8861 or	C-DIODE	1SS352	(1)	223234R2	
U008	D8862	C-DIODE	KDS4148U	1	223283R2	
U008	D8862 or	C-DIODE	1SS352	(1)	223234R2	
U008	Q8861	IC	TMDS141RHARG4	1	22242586R2	
U008	[TRANS COIL]					
U008	L3300	CORE	BLM18PG121SN1D	1	2350006R1	
U008	L3301	CORE	BLM18PG121SN1D	1	2350006R1	
U008	L3302	CORE	BLM18PG121SN1D	1	2350006R1	
U008	L8861	CORE	BLM18PG181SN1D	1	2350005R1	
U008	[CAPACITOR]					
U008	C3302	C-FILM C	ECHU16V-104J	1	373041044R2	
U008	C3303	C-FILM C	ECHU16V-104J	1	373041044R2	
U008	C3304	C-CERA C	CK725F1A-105Z1	1	332181050R1	
U008	C8861	C-FILM C	ECHU16V-104J	1	373041044R2	
U008	C8863	C-CERA C	CK725F1A-105Z1	1	332181050R1	
U008	C8864	C-CERA C	CK725B1H-102K1	1	332101025R1	
U008	C8869	C-CERA C	CK725F1A-105Z1	1	332181050R1	
U008	C8870	C-CERA C	CK725B1H-102K1	1	332101025R1	
U008	C8871	C-CERA C	CK725F1A-105Z1	1	332181050R1	
U008	C8872	C-CERA C	CK725B1H-102K1	1	332101025R1	
U008	C8873	C-CERA C	CK725F1A-105Z1	1	332181050R1	
U008	C8874	C-CERA C	CK725B1H-102K1	1	332101025R1	
U008	C8875	C-CERA C	CK725F1A-105Z1	1	332181050R1	
U008	C8876	C-CERA C	CK725B1H-102K1	1	332101025R1	
U008	C8877	C-CERA C	CK725B0J-106K	1	332091065R2	
U008	C8880	C-CERA C	CK725B0J-106K	1	332091065R2	
U008	[RESISTOR]					
U008	R8867	C-CARBON R	RN72K1J-473JE	1	435034734R1	
U008	R8868	C-CARBON R	RN72K1J-473JE	1	435034734R1	
U008	R8869	C-CARBON R	RN72K1J-000JE	1	435030004R1	
U008	R8870	C-CARBON R	RN72K1J-000JE	1	435030004R1	
U008	R8872	C-CARBON R	RN72K1J-103JE	1	435031034R1	

U008	R8873	C-CARBON R	RN72K1J-472JE	1	435034724R1
U008	R8874	C-CARBON R	RN72K1J-103JE	1	435031034R1
U008	R8875	C-CARBON R	RN72K1J-103JE	1	435031034R1
U008	R8876	C-CARBON R	RN72K1J-103JE	1	435031034R1
U008	R8880	C-CARBON R	RN72K1J-000JE	1	435030004R1
U008	R8881	C-CARBON R	RN72K1J-000JE	1	435030004R1
U008	[SW TRM]				
U008	P3101C	PLUG	NPLG-5P918	1	25055965R2
U008	P3305	SOCKET	C00124K221700	1	25053410
U008	P8641D	SOCKET	FX16-31S-0.5SV	1	25053354R2
U008	P8861	SOCKET	TCX3400-111387	1	25053406R3
U008	P8861 or	SOCKET	YKF45-7037V	(1)	25053253R3
U008	P8861 or	SOCKET	HDMI(47266-4101)	(1)	25053389R3
U008	P8862	TRM	NTM-1P233(M1969)	1	25060302

ONKYO®**ONKYO SOUND & VISION CORPORATION**

Technical Support, Service Dept.: 2-1, Nisshin-cho, Neyagawa-shi, OSAKA 572-8540, JAPAN
Tel: 072-831-8023 Fax: 072-831-8163

ONKYO U.S.A. CORPORATION

18 Park Way, Upper Saddle River, N.J. 07458, U.S.A.
Tel: 800-229-1687, 201-785-2600 Fax: 201-785-2650 <http://www.us.onkyo.com/>

ONKYO EUROPE ELECTRONICS GmbH

Liegnitzerstrasse 6, 82194 Groebenzell, GERMANY
Tel: +49-8142-4401-0 Fax: +49-8142-4401-555 <http://www.eu.onkyo.com/>

ONKYO EUROPE ELECTRONICS GmbH (UK BRANCH)

The Coach House 81A High Street, Marlow, Buckinghamshire, SL7 1AB, UK
Tel: +44-(0)1628-473-350 Fax: +44-(0)1628-401-700

ONKYO CHINA LIMITED

Unit 1&12, 9/F, Ever Gain Plaza Tower 1, 88, Container Port Road, Kwai Chung,
N.T., Hong Kong. Tel: 852-2429-3118 Fax: 852-2428-9039
<http://www.ch.onkyo.com/>