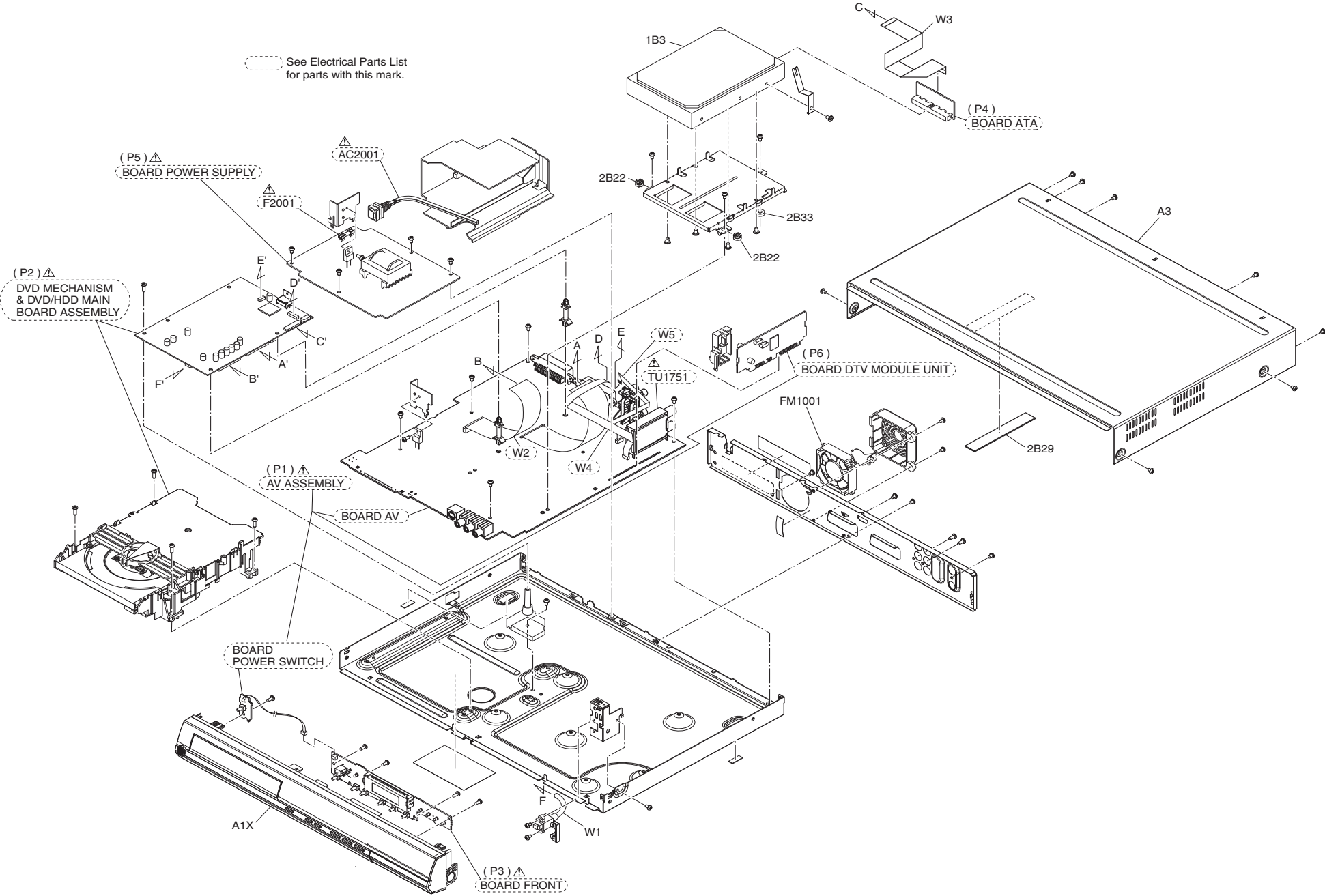


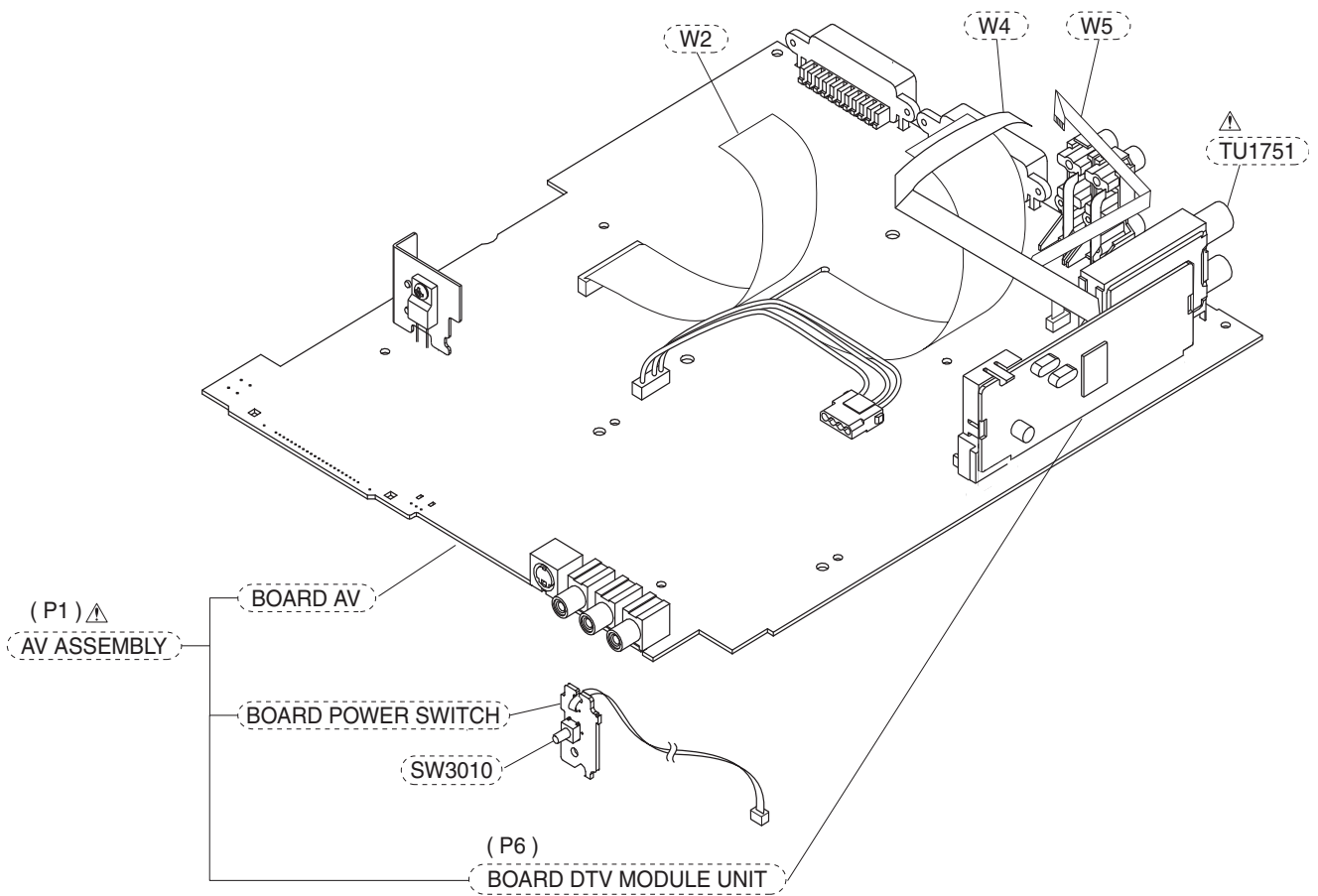
EXPLODED VIEWS

Cabinet

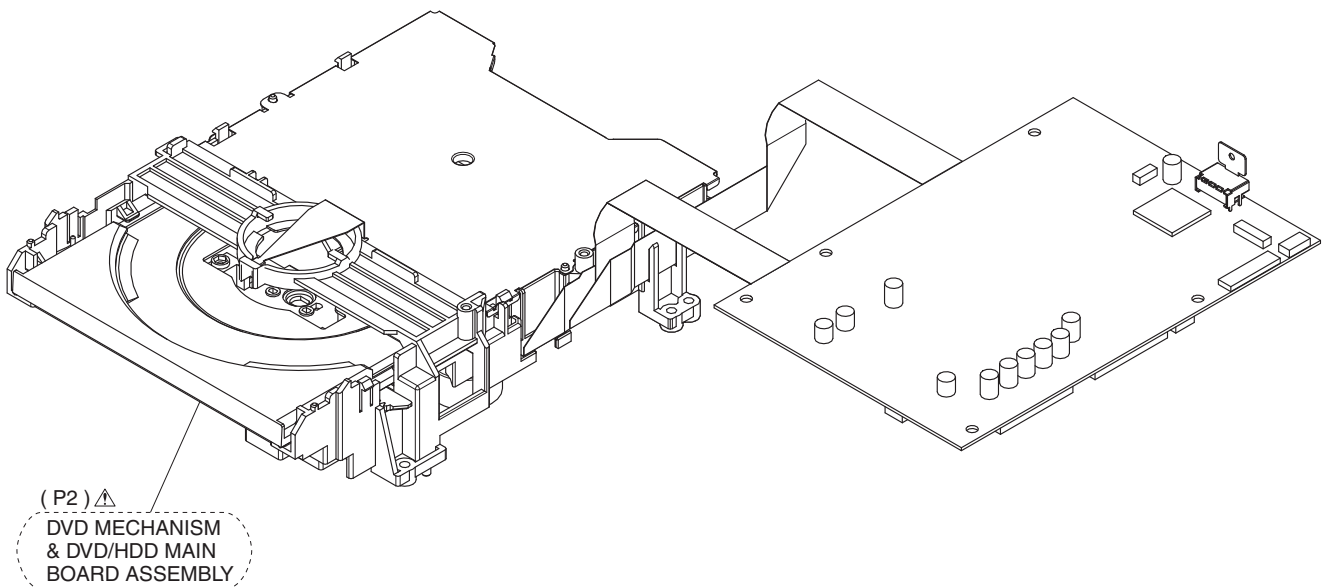


(P1) AV ASSEMBLY

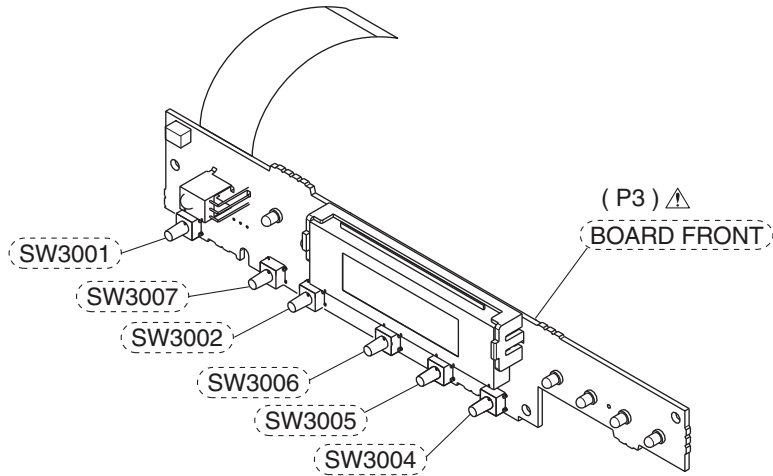
(P6) BOARD DTV MODULE UNIT



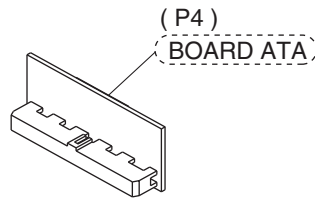
(P2) DVD MECHANISM & DVD/HDD MAIN BOARD ASSEMBLY



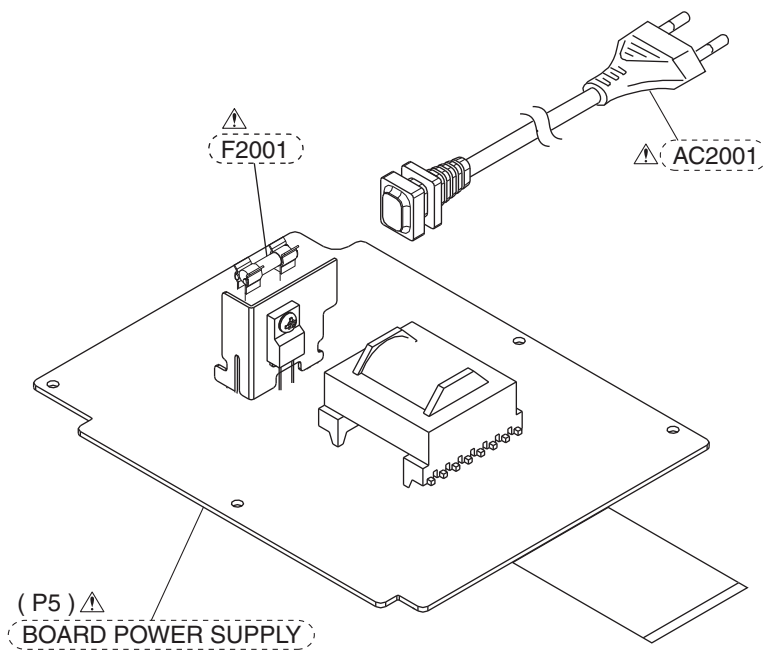
(P3) BOARD FRONT



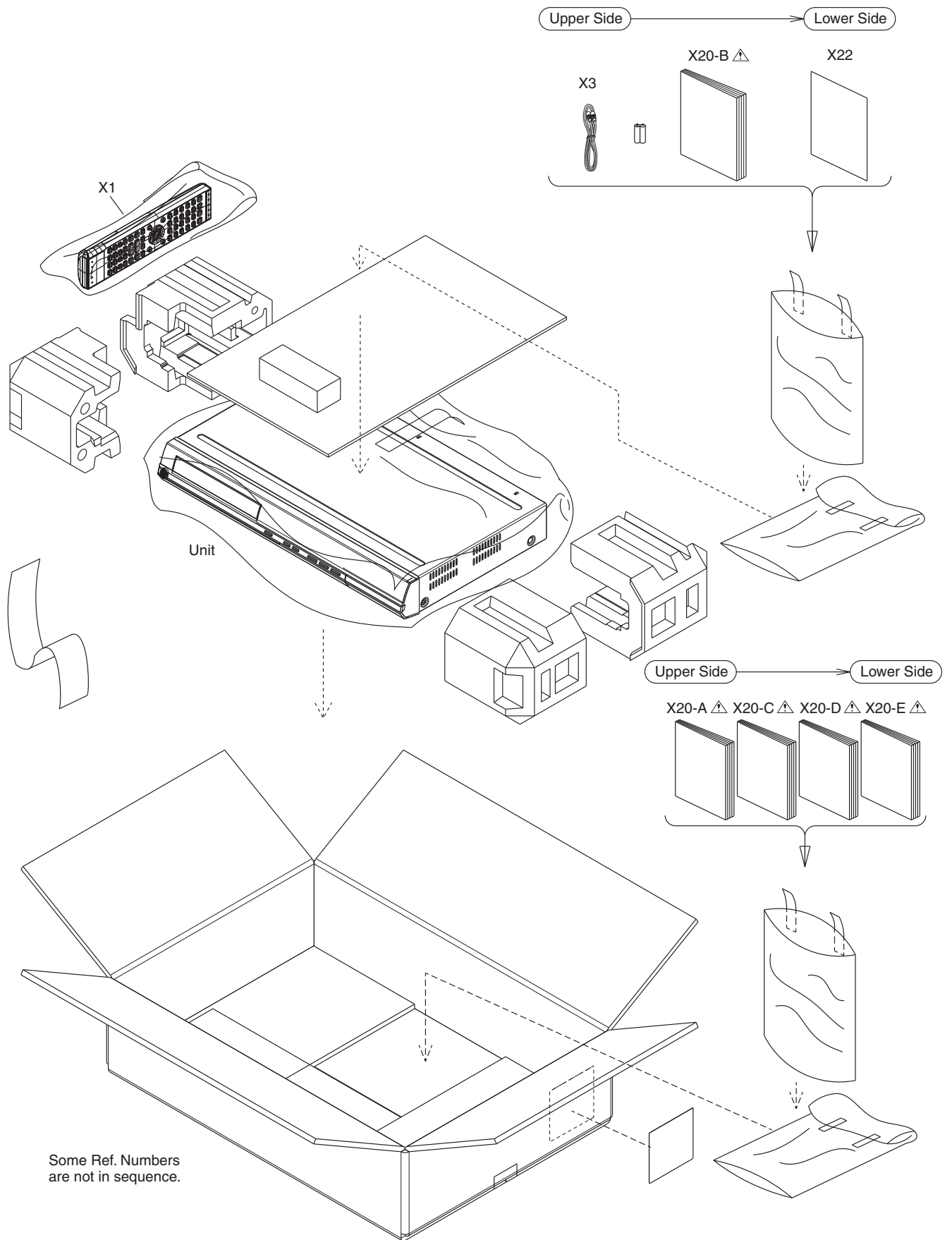
(P4) BOARD ATA




(P5) BOARD POWER SUPPLY



Packing



MECHANICAL PARTS LIST

PRODUCT SAFETY NOTE: Products marked with a  have special characteristics important to safety. Before replacing any of these components, read carefully the product safety notice in this service manual. Don't degrade the safety of the product through improper servicing.

Comparison Chart of Models and Marks

Model	Mark
RD-88DTKF	A
RD-98DTKF	B

	Location No.	Mark	TSB P/N	Reference No.	Description
	A1X	A	P000502780	1VM224596	PANEL FRONT E2N70FD
	A1X	B	P000502950	1VM224599	PANEL FRONT E2N71FD
	A3		P000493370	1VM121104	COVER TOP E2J70BD
	1B3	A	P000494100	UHDD160WG003	HARD DISK DRIVE 160GB WD1600AVBB-63SYA0
	1B3	B	P000493520	UHDD250VE003	HARD DISK DRIVE 250GB ST3250820ACE
	2B22		P000472680	1VM422863	HDD RUBBER E4350JD
	2B29		P000502790	1VM428359	RUBBER CUSHION E2N70FD
	2B33		P000502800	1VM428819	RUBBER WASHER E2N70FD
	FM1001		P000459880	MMEZL12NH008	MOTOR DC FAN D05U- 12TS1 09(UX)
	W1		P000493530	WPZ0251JVE01	IEEE 1394 DV-IN CABLE 245MM BLACK
	W3		P000493540	WX1E2J70-009	WIRE ASSEMBLY MAIN TO HDD FFC 40P 194MM 40PIN
ACCESSORIES					
	X1		P000502910	NB800ED	REMOTE CONTROL UNIT NB800ED
	X3		P000460030	WPZ0122LG001	RF CORD PAL 1.2M
	X20-A		P000502810	1VMN25053	OWNERS MANUAL(EN) E2N70FD
	X20-B		P000502830	1VMN25055	OWNERS MANUAL(FR) E2N70FD
	X20-C		P000502840	1VMN25056	OWNERS MANUAL(IT) E2N70FD
	X20-D		P000502850	1VMN25057	OWNERS MANUAL(DE) E2N70FD
	X20-E		P000502860	1VMN25058	OWNERS MANUAL(ES) E2N70FD
	X22		P000502820	1VMN25054	QUICK GUIDE E2N70FD

ELECTRICAL PARTS LIST

PRODUCT SAFETY NOTE: Products marked with a \triangle have special characteristics important to safety. Before replacing any of these components, read carefully the product safety notice in this service manual. Don't degrade the safety of the product through improper servicing.

NOTES:

- Parts that are not assigned part numbers (-----) are not available.
- Tolerance of Capacitors and Resistors are noted with the following symbols.

C..... \pm 0.25% D..... \pm 0.5% F..... \pm 1%
 G..... \pm 2% J..... \pm 5% K..... \pm 10%
 M..... \pm 20% N..... \pm 30% Z.....+80/-20%

DVD MECHANISM & DVD/HDD MAIN BOARD ASSEMBLY

\triangle	Location No.	TSB P/N	Reference No.	Description
\triangle	P2	P000502900	N78E3EFN	DVD MECHANISM & DVD/HDD MAIN BOARD ASSEMBLY

AV ASSEMBLY

\triangle	Location No.	TSB P/N	Reference No.	Description
\triangle	P1	P000502880	1VSA18564	AV ASSEMBLY Consists of the following
			-----	BOARD AV (SUB-A)
			-----	BOARD POWER SWITCH (SUB-C)
	P6	P000502200	1VSA17345	BOARD DTV MODULE UNIT

BOARD AV (SUB-A)

\triangle	Location No.	TSB P/N	Reference No.	Description
		-----	-----	BOARD AV (SUB-A)
Following parts are included in BOARD AV (SUB-A).				
\triangle	TU1751	P000502270	UTUNDTVMS004	TUNER UNIT ENG7710KF
	W2	P000502940	WX1E2N70-013	FFC CABLE 30P WX1E2N70-013
	W4	P000502920	WX1E2J70-004	WIRE ASSEMBLY AV TO MAIN DTV FFC6P 200MM 6PIN
	W5	P000502930	WX1E2N70-005	FFC CABLE 4P WX1E2N70-005

BOARD POWER SWITCH (SUB-C)

\triangle	Location No.	TSB P/N	Reference No.	Description
		-----	-----	BOARD POWER SWITCH (SUB-C)
Following part is included in BOARD POWER SWITCH (SUB-C).				
	SW3010	P000483300	SST0101AL041	TACT SWITCH SKQSAF001A

BOARD DTV MODULE UNIT

\triangle	Location No.	TSB P/N	Reference No.	Description
	P6	P000502200	1VSA17345	BOARD DTV MODULE UNIT

BOARD FRONT

\triangle	Location No.	TSB P/N	Reference No.	Description
\triangle	P3	P000493410	1VSA15874	BOARD FRONT
Following parts are included in BOARD FRONT.				
	SW3001	P000483300	SST0101AL041	TACT SWITCH SKQSAF001A
	SW3002	P000483300	SST0101AL041	TACT SWITCH SKQSAF001A
	SW3004	P000483300	SST0101AL041	TACT SWITCH SKQSAF001A
	SW3005	P000483300	SST0101AL041	TACT SWITCH SKQSAF001A
	SW3006	P000483300	SST0101AL041	TACT SWITCH SKQSAF001A
	SW3007	P000483300	SST0101AL041	TACT SWITCH SKQSAF001A

BOARD ATA

\triangle	Location No.	TSB P/N	Reference No.	Description
	P4	P000493440	1VSA16180	BOARD ATA

BOARD POWER SUPPLY

\triangle	Location No.	TSB P/N	Reference No.	Description
\triangle	P5	P000502870	1VSA18544	BOARD POWER SUPPLY
Following parts are included in BOARD POWER SUPPLY.				
\triangle	C2001	P000493460	CT2E683DC016	ACROSS THE LINE CAP. 0.068 μ F/250V
\triangle	C2002	P000493450	CCN2EMA0E222	SAFETY CAP. 2200pF/250V
\triangle	IC2101	P000483270	QPEWPS2561A1	PHOTOCOUPLER PS2561A-1(W)
\triangle	L2001	P000502210	LLEG0Z0Y2027	COIL LINE FILTER ST0710ET24-013
\triangle	Q2101	P000493500	QFWZ2SK3798Q	MOS FET 2SK3798(Q)
\triangle	R2001	P000493510	RXX2565MGL01	GLASS GLAZE RES. 1/2W J 5.6M Ω
\triangle	AC2001	P000468380	WAE0172LW011	POWER CORD PE8G2CG9G0AB05
\triangle	F2001	P000502260	PDGJBB0NG252	FUSE TIME RAG FIH 250V 2.5A
\triangle	SA2001	P000457210	NVQZ10D471KB	SURGE ABSORBER 470V+-10PER
\triangle	T2001	P000502890	LTT3PE0KT045	TRANS POWER 8717

TOSHIBA CORPORATION

1-1, SHIBAURA 1-CHOME, MINATO-KU, TOKYO 105-8001, JAPAN