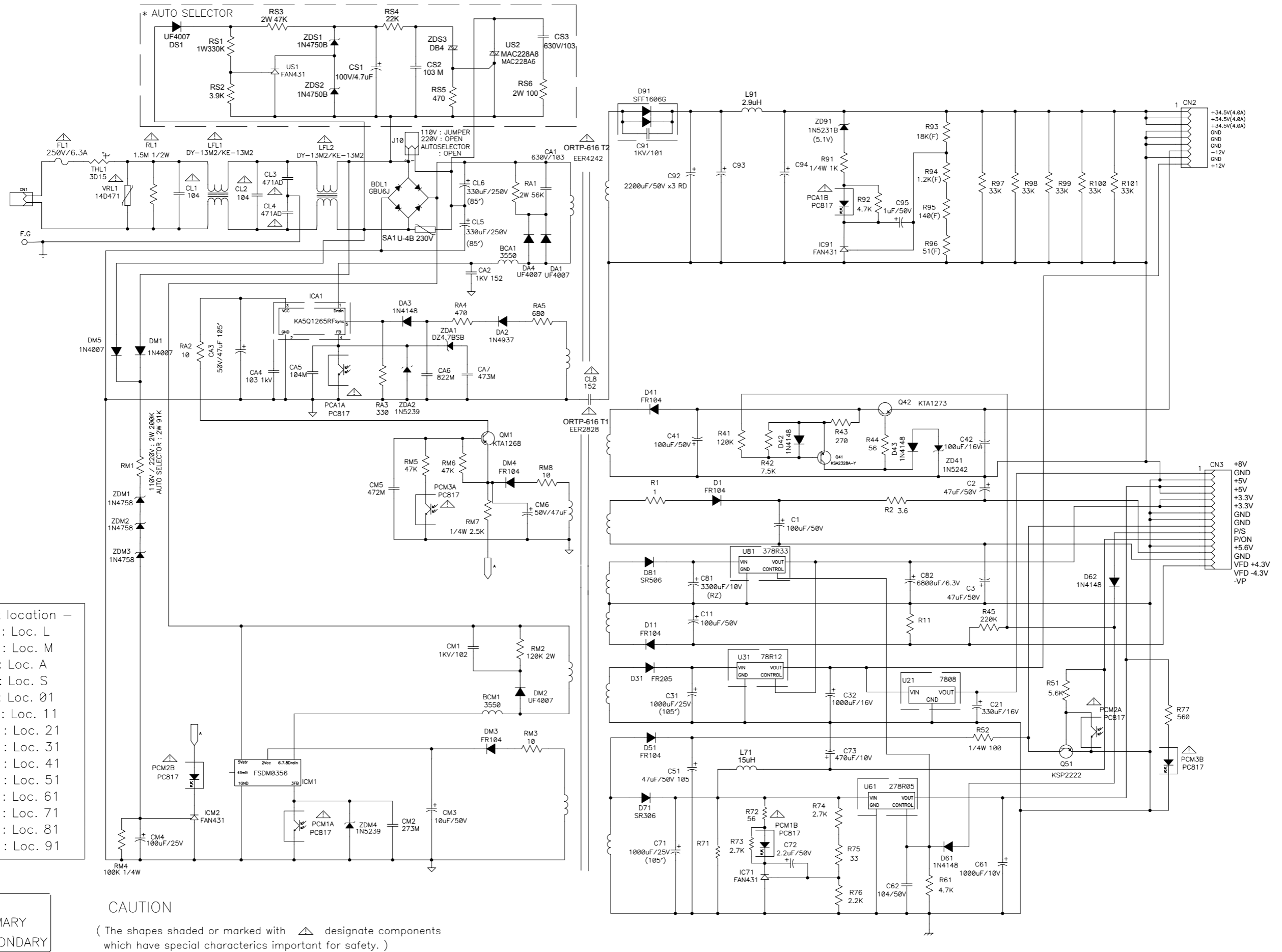


7-9 SMPS



- Part location -
- LINE : Loc. L
 - PDVD : Loc. M
 - PAMP : Loc. A
 - SELE. : Loc. S
 - VFD : Loc. 01
 - VP : Loc. 11
 - +08V : Loc. 21
 - +12V : Loc. 31
 - 12V : Loc. 41
 - P_S : Loc. 51
 - +5.0V : Loc. 61
 - +5.6V : Loc. 71
 - +3.3V : Loc. 81
 - +35V : Loc. 91

- ⊥ ; F.G
- ⬇ ; PRIMARY
- ⬆ ; SECONDARY

CAUTION
 (The shapes shaded or marked with designate components which have special characteristics important for safety.)