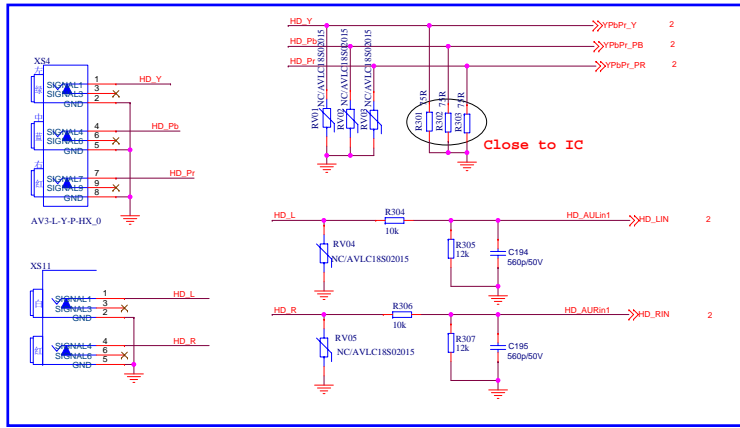
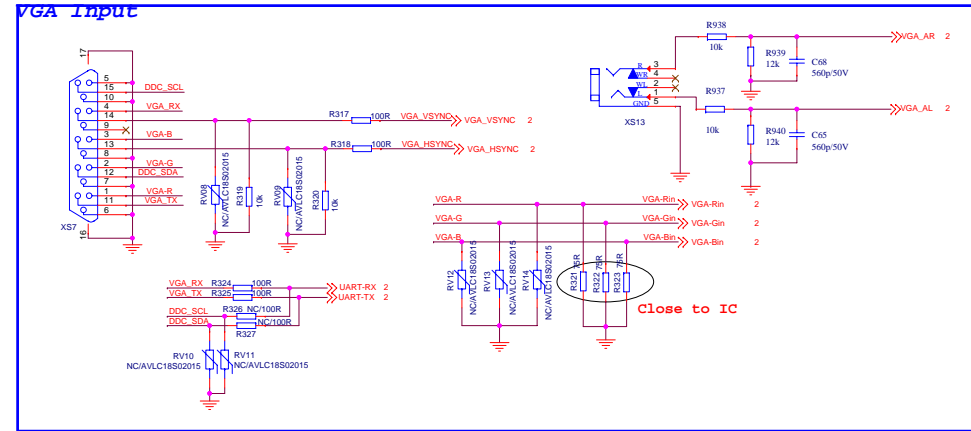


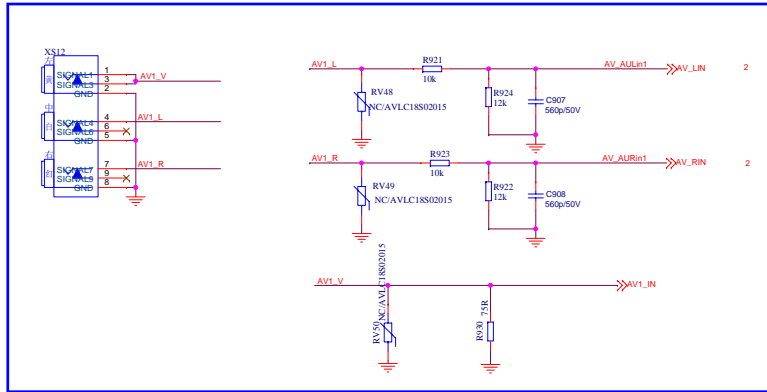
YPbPr Input



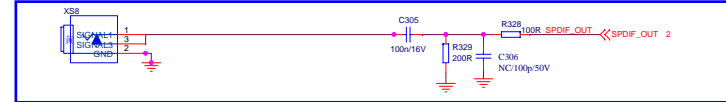
VGA Input



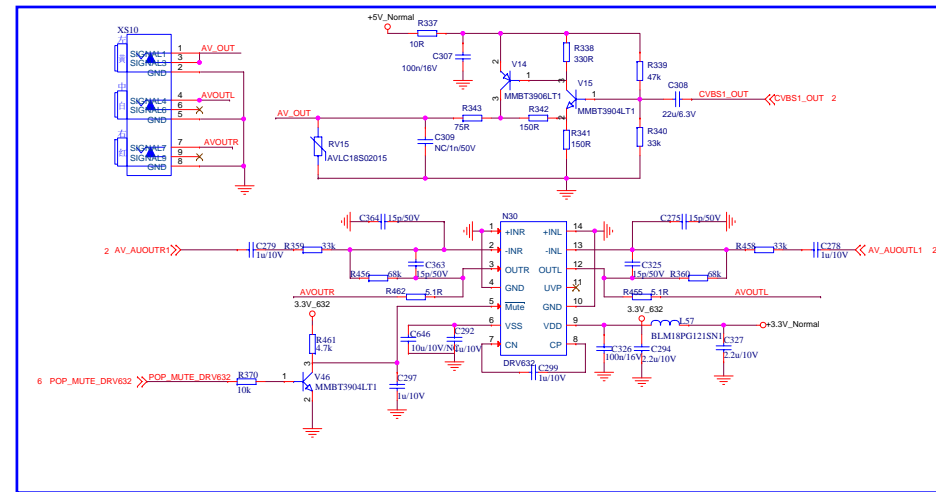
AV Input



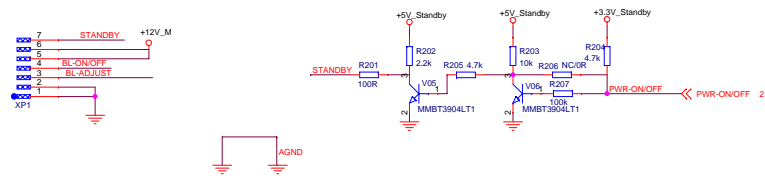
SPDIF Out



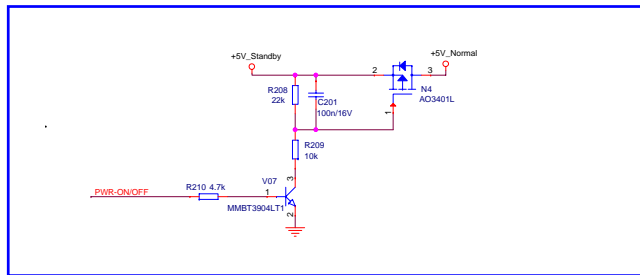
AV Out



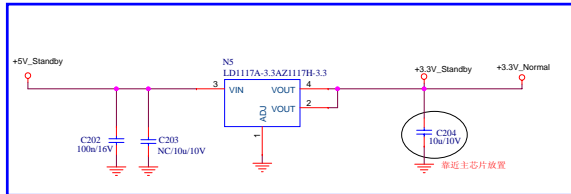
Power Input/Standby



5V Switch (Standby)

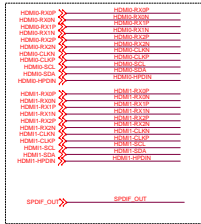


3.3V Power Standby

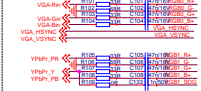


1.8V Power DDR

HDMI Interface



VGA & YPPBP Interface



CVBS IN & OUT



AUDIO IN



DIF IN

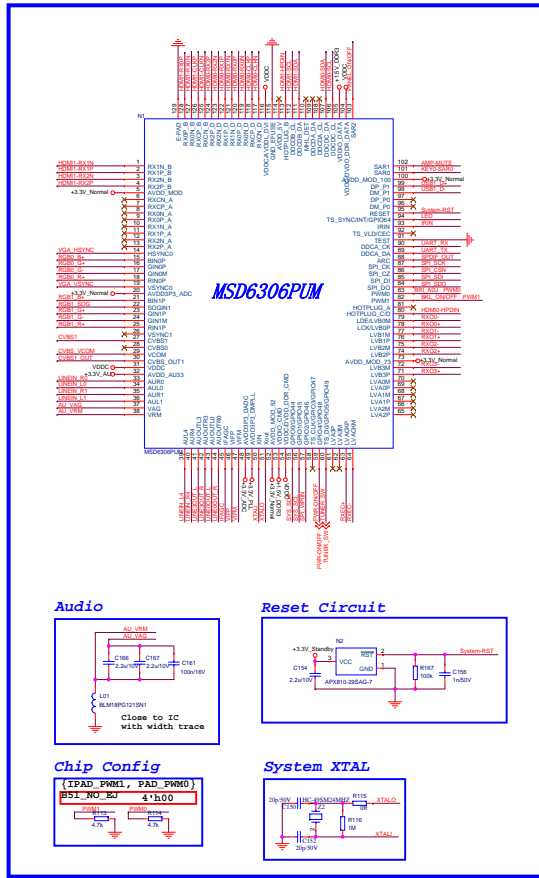
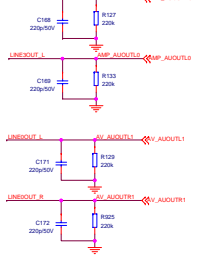


USB & SPDF OUT

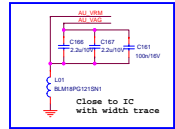


Audio Line Out

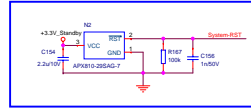
Near MST IC
Ground in the middle of the L/R



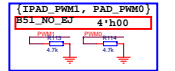
Audio



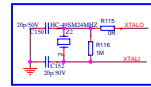
Reset Circuit



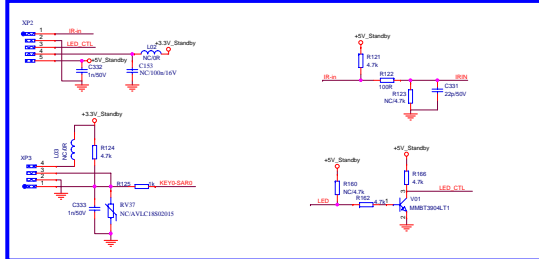
Chip Config



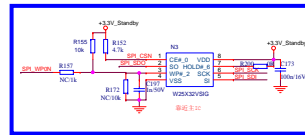
System XTAL



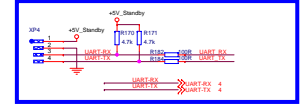
Keypad Input/IR Input/LED Ctrl



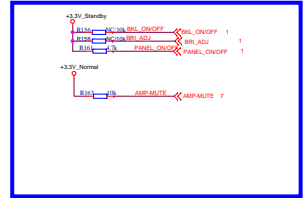
Serial Flash



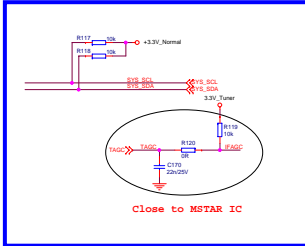
Debug port



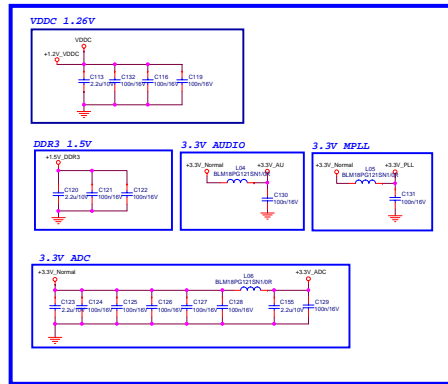
Pull Up/Down



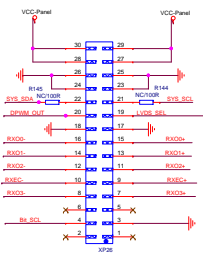
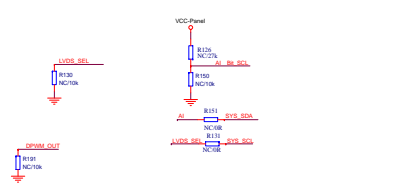
Tuner IIC&AGC



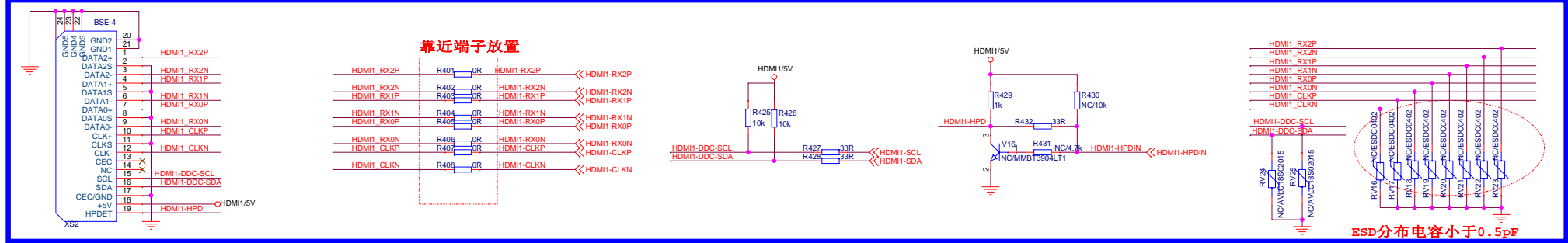
IC Power



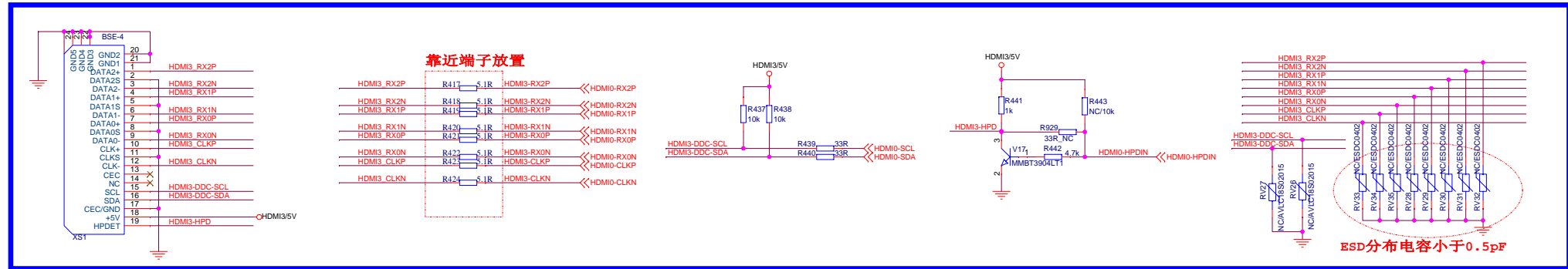
LVDS Connector



HDMI 1

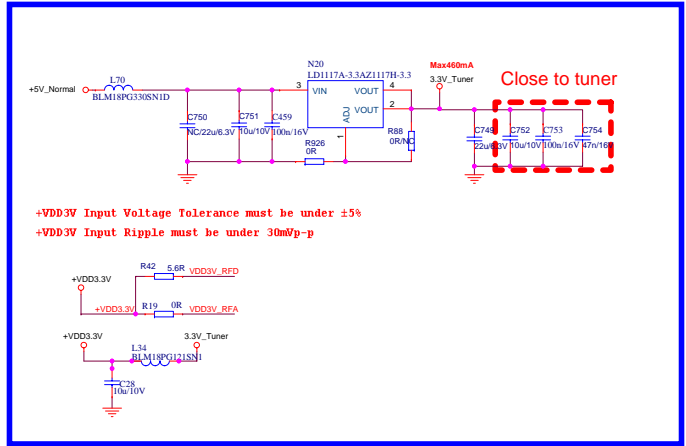


HDMI 3

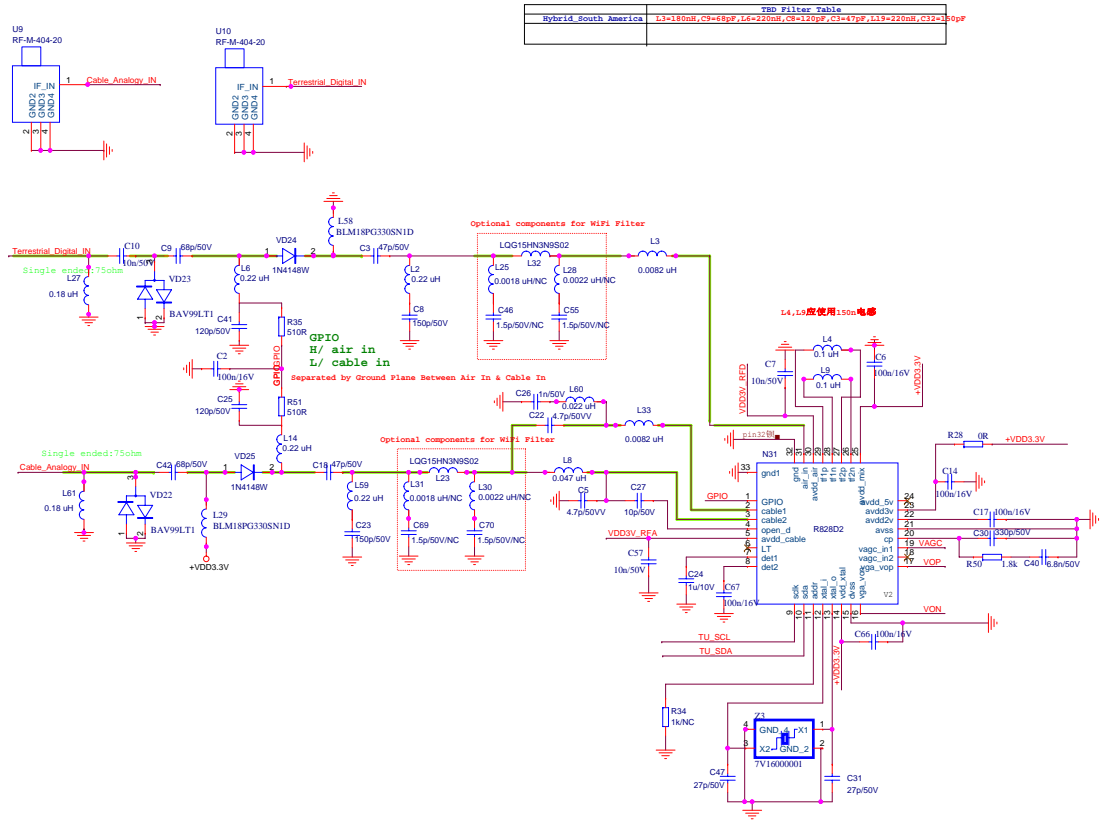
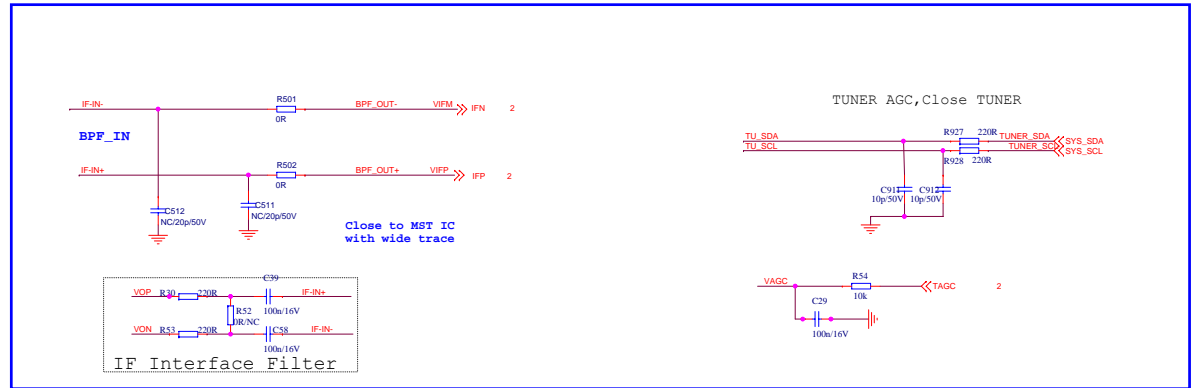


File	MSD6306PUM	
Size	Document Number	HDMI Interface
Custom		Rev 1.0
Date:	Thursday, January 09, 2014	Sheet 4 of 6

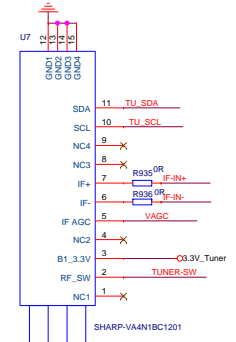
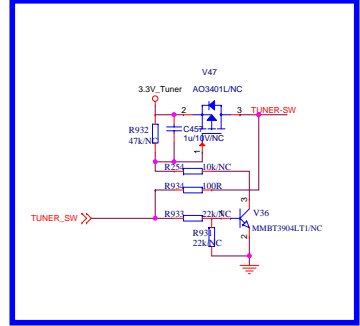
Tuner Power



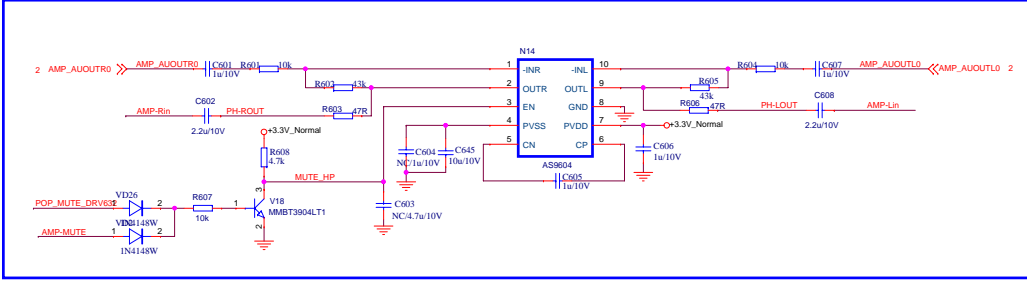
Tuner Connector



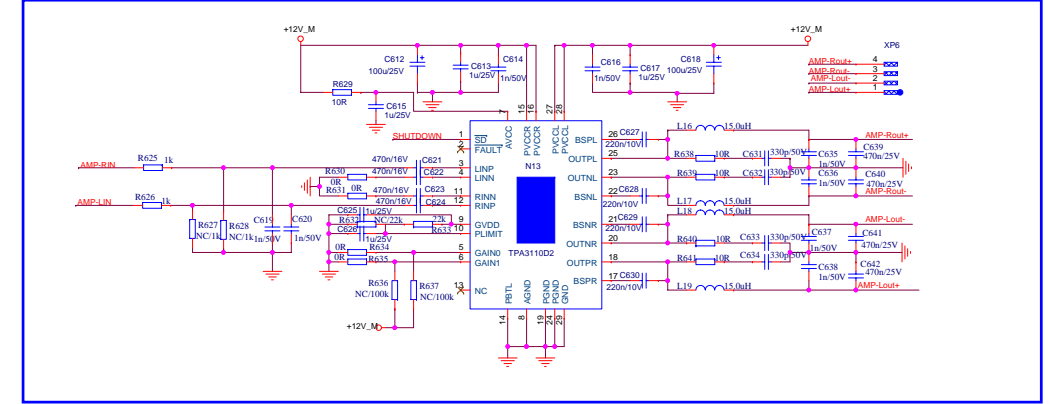
TMD Filter Table	
Hybrid South America	L3=180nm, C9=48pf, L4=220nm, C8=130pf, C1=47pf, L19=210nm, C12=100pf



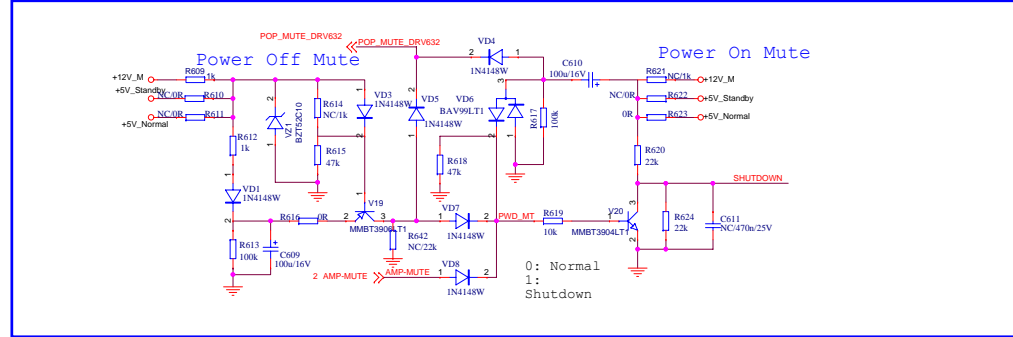
Headphone Out



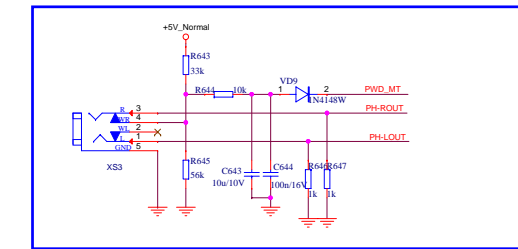
Audio AMP



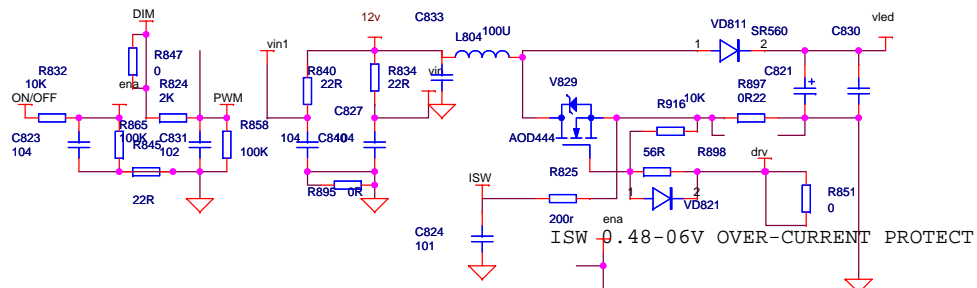
Mute



HP Audio Out



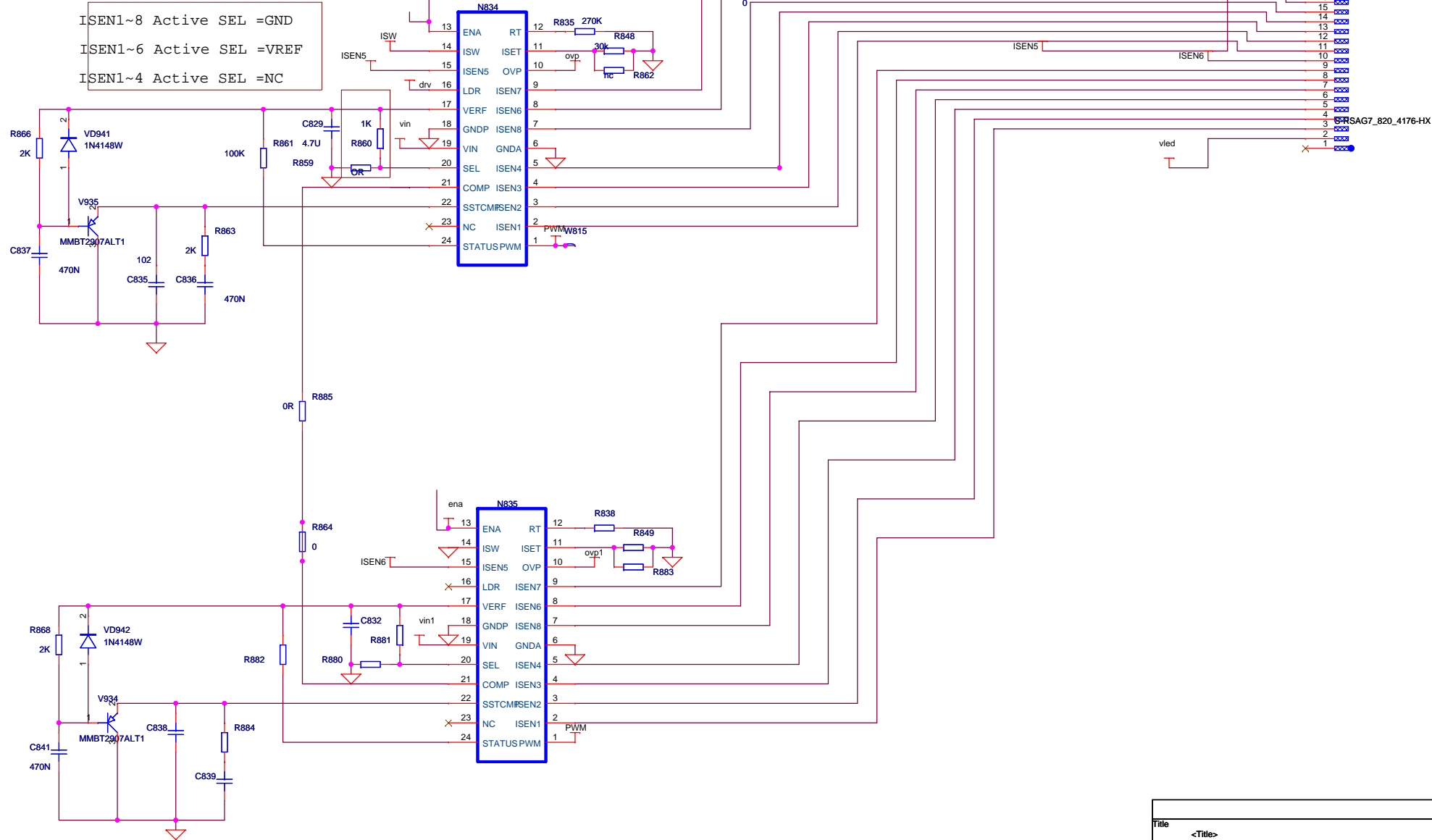
M1 MARK
M2 MARK
M3 MARK



ISW 0.48-06V OVER-CURRENT PROTECT

母板上插孔18个焊盘，可以控制16路LED，根据需要选用

ISEN1~8 Active SEL =GND
 ISEN1~6 Active SEL =VREF
 ISEN1~4 Active SEL =NC



XP806
 SAG7_820_4176-HX

Title	<Title>	
Size	Document Number	Rev
A3	<Doc>	<Rev Code>
Date:	Monday, May 30, 2011	Sheet 1 of 1