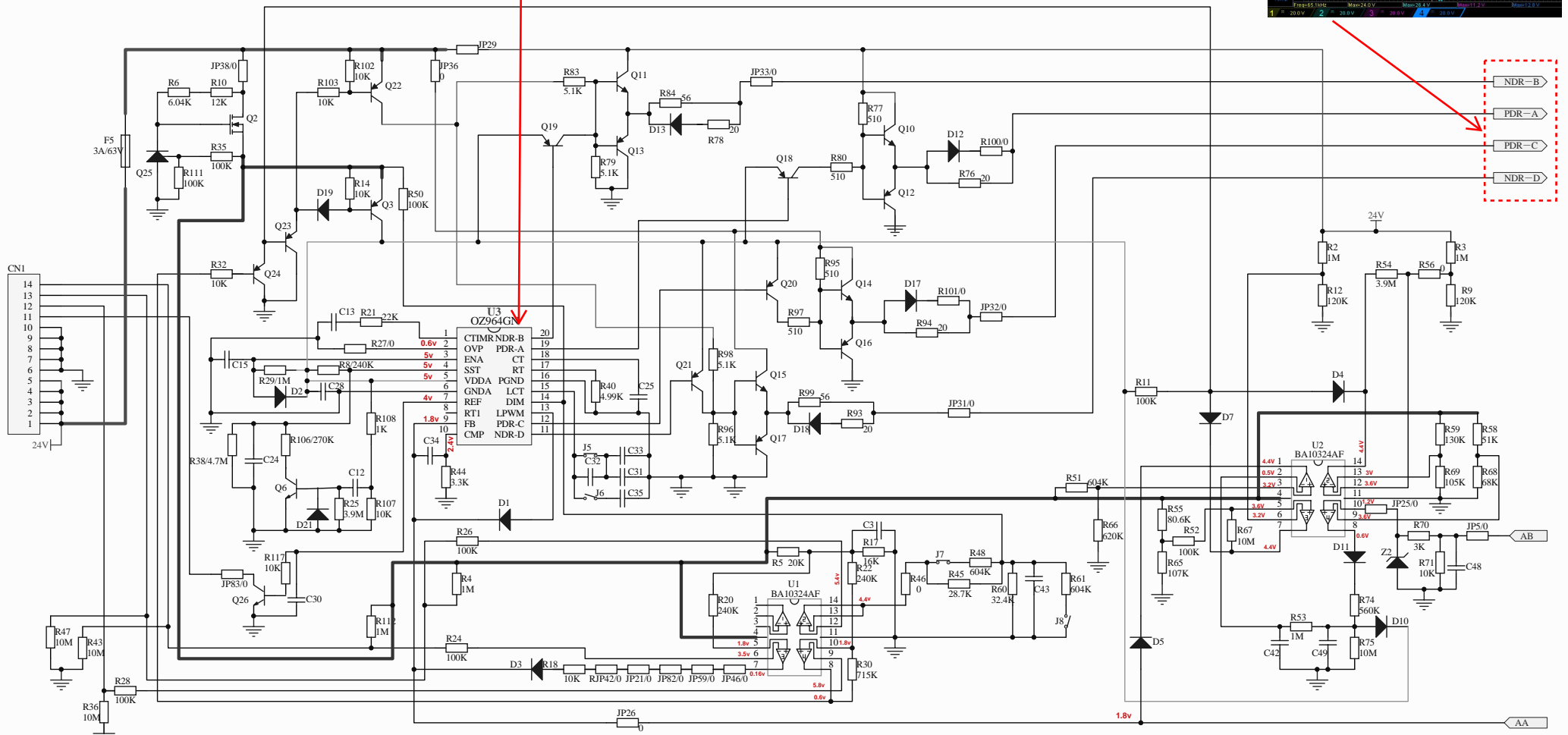
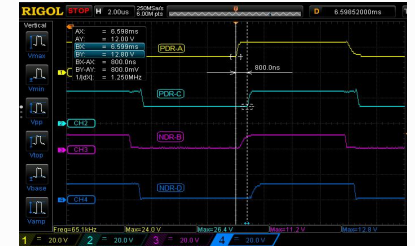
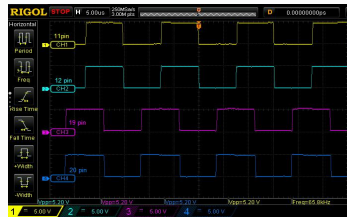
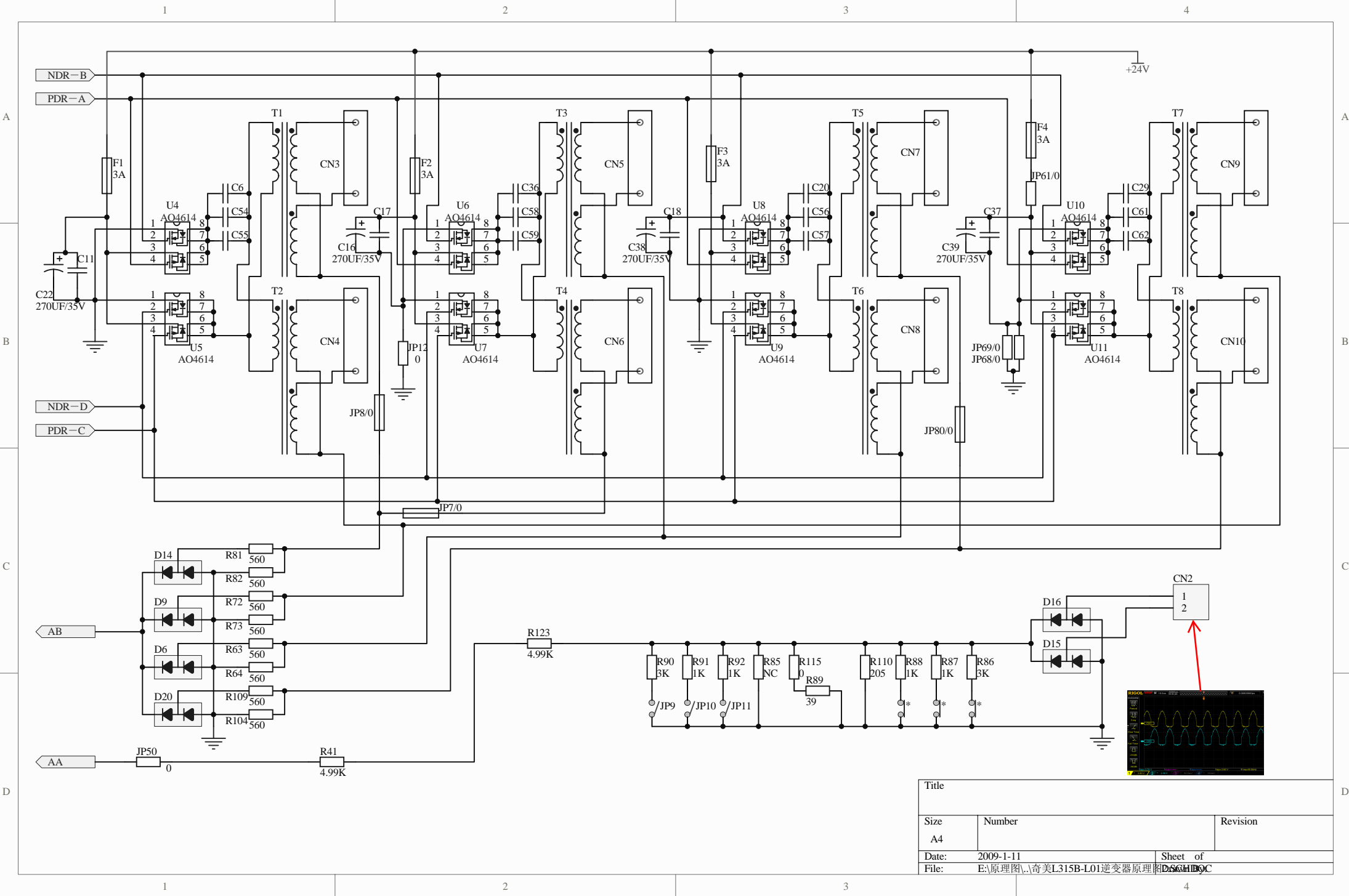


Title		
Size	Number	Revision
A4		
Date:	2009-1-11	Sheet of
File:	E:\原理图\..奇美L315-L01逻辑板电源原理图.SCHDOC	



Title		
Size	Number	Revision
A3		
Date:	2009-1-11	Sheet of
File:	E:\原理图\...\奇美L315-L01逆变器原理图	DS60410C



Title		
Size	Number	Revision
A4		
Date:	2009-1-11	Sheet of
File:	E:\原理图\..奇美L315B-L01逆变器原理图.DSGH.DOC	