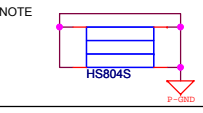
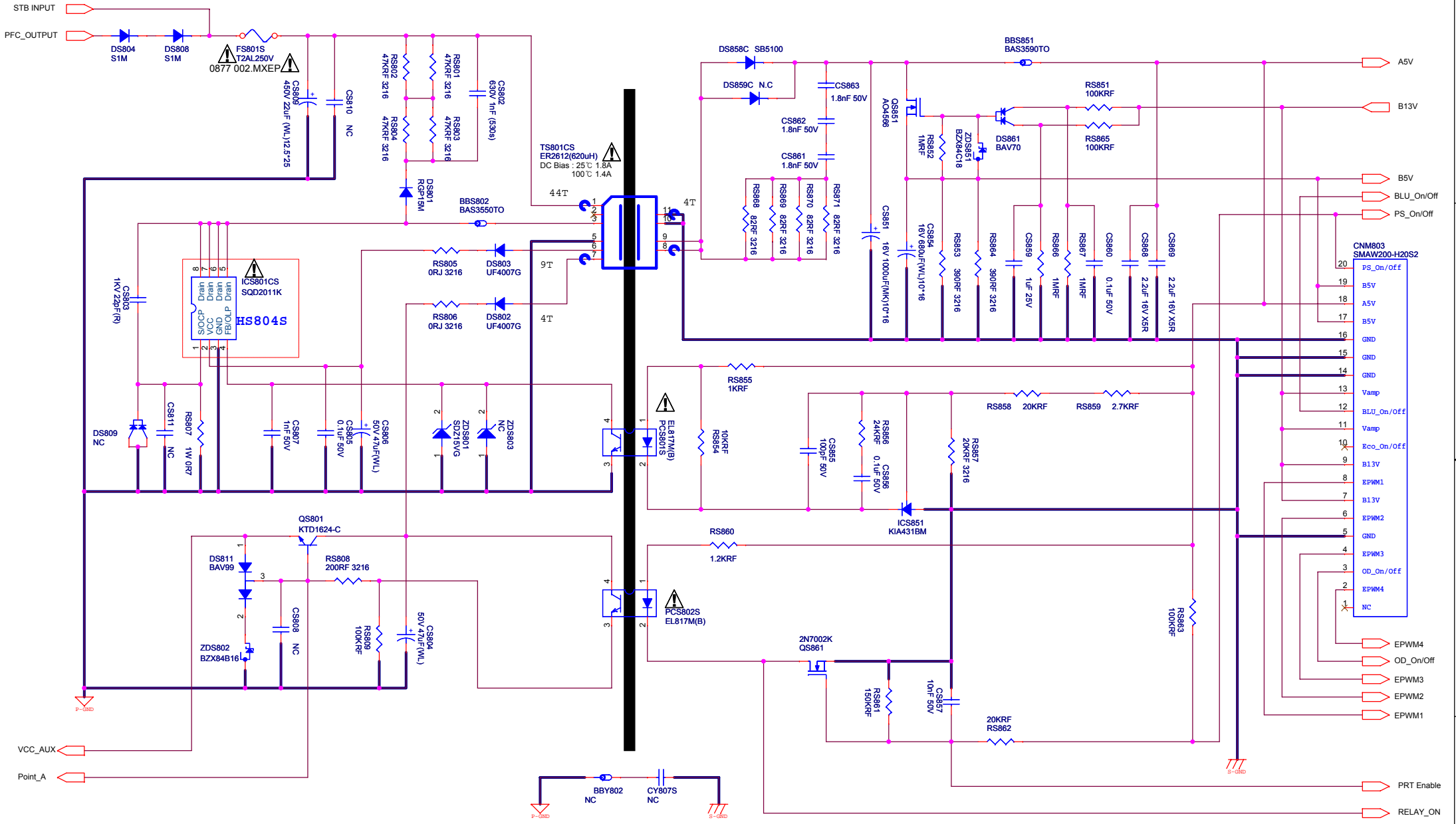


Remake
 ** No marking resistor 1608 1% SMD
 ** No marking capacitor 1608 SMD
 ** NC : No Connection

PL&히로도&실물&BOM 4점 정합함을 보증함
 Comply with the threshold of substances which are specified in 0QA_209

		MODEL NAME L42X1Q_DHS	DATE Thursday, January 09, 2014
PART NUMBER BN44-00622B		SIZE A3	DESIGNER J.G.YEOM
		DRAWN R.F	CHECKER T.H.KANG
		Comment/Rev <?>	APPROVED S.G.HWANG

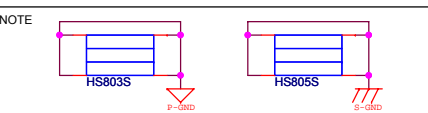
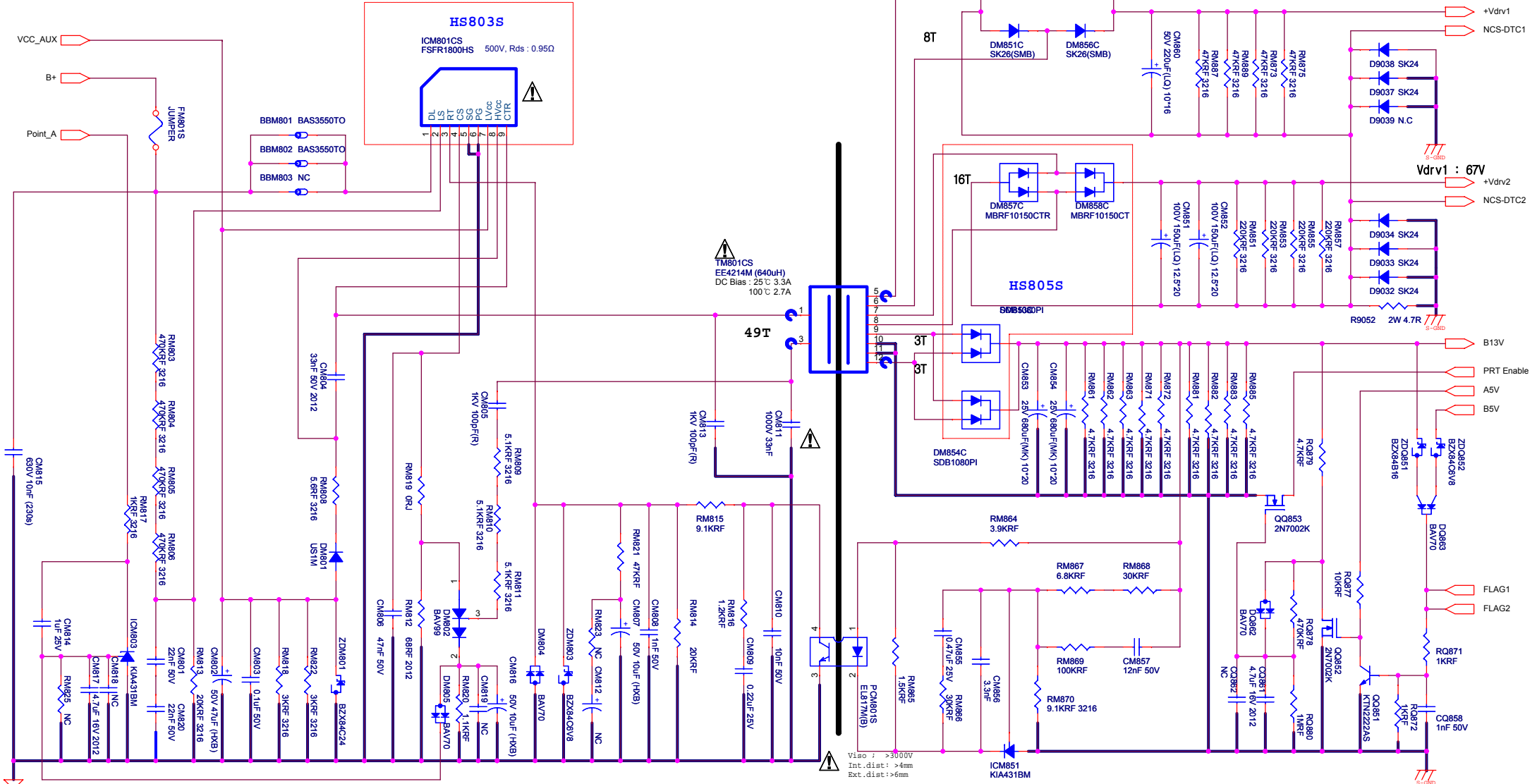
STAND BY



Remake
 ** No marking resistor 1608 1% SMD
 ** No marking capacitor 1608 SMD
 ** NC : No Connection

PL&회로도&실물&BOM 4점 정합함을 보증함
 Comply with the threshold of substances which are specified in 0QA_209

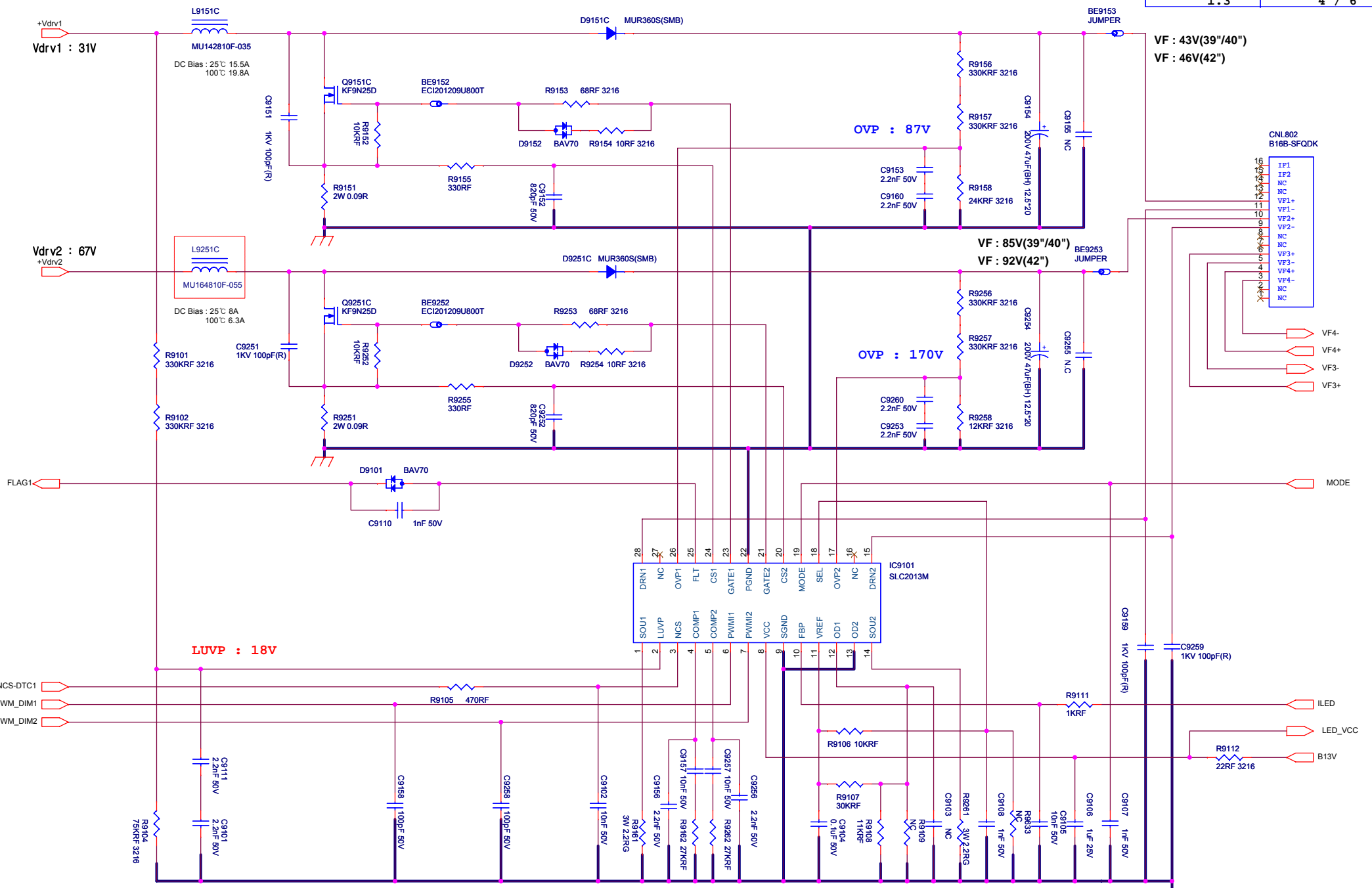
	MODEL NAME	SAMSUNG ELECTRONICS CO.,Ltd.	DATE	Thursday, January 09, 2014
	SCALE	A3	DESIGNER	J.G.YEOM
	FOR NUMBER	L42X1Q_DHS	CHECKER	T.H.KANG
	REVISION	BN44-00622B	APPROVED	S.G.HWANG



Remake
 ** No marking resistor 1608 1% SMD
 ** No marking capacitor 1608 SMD
 ** NC : No Connection

PL&회로도&실물&BOM 4점 정합함을 보증함
 Comply with the threshold of substances which are specified in 0QA_209

		USER: SAMSUNG ELECTRONICS CO.,Ltd. MODEL NAME: L42X1Q_DHS PCB NUMBER: BN44-00622B	DATE: Thursday, January 09, 2014 DRAWN: J.G.YEOM CHECKED: T.H.KANG APPROVED: S.G.HWANG
--	--	---	---



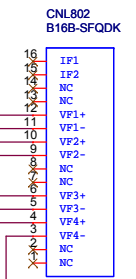
VF : 43V(39"/40")
VF : 46V(42")

OVP : 87V

VF : 85V(39"/40")
VF : 92V(42")

OVP : 170V

LUV1 : 18V



VF4-
VF4+
VF3-
VF3+

MODE

ILED

LED_VCC

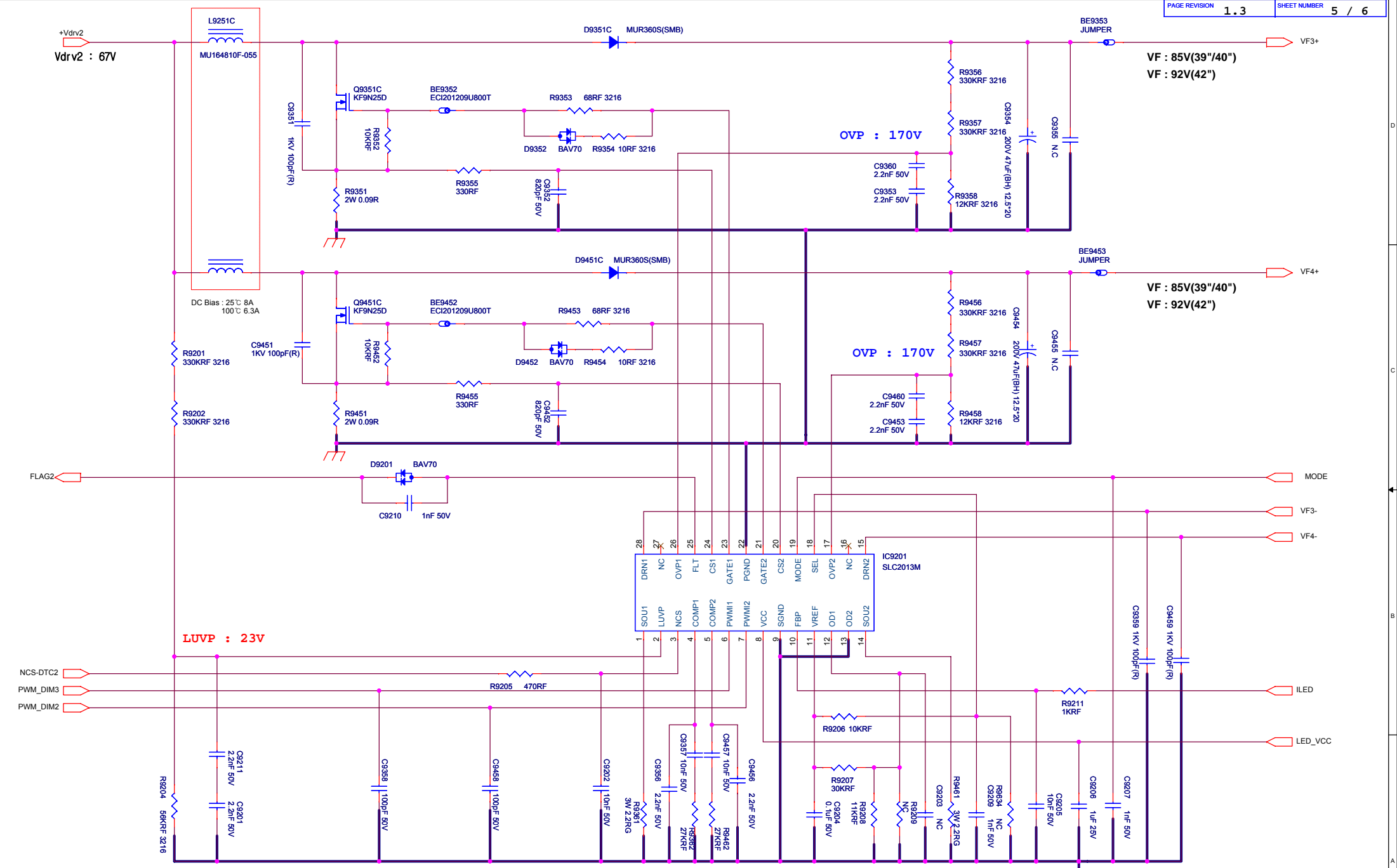
B13V

PL&회로도&실물&BOM 4점 정합함을 보증함
Comply with the threshold of substances which are specified in 0QA_209

NOTE

- ** NC : No Connection
- ** No marking resistor 1608 1% SMD
- ** No marking capacitor 1608 X7R SMD

	USER SAMSUNG ELECTRONICS CO.,Ltd.	DATE Thursday, January 09, 2014
	MODEL NAME L42X1Q_DHS	SCALE A3
	JOB NUMBER BN44-00622B	DESIGNER T.H.KANG
		APPROVED S.G.HWANG

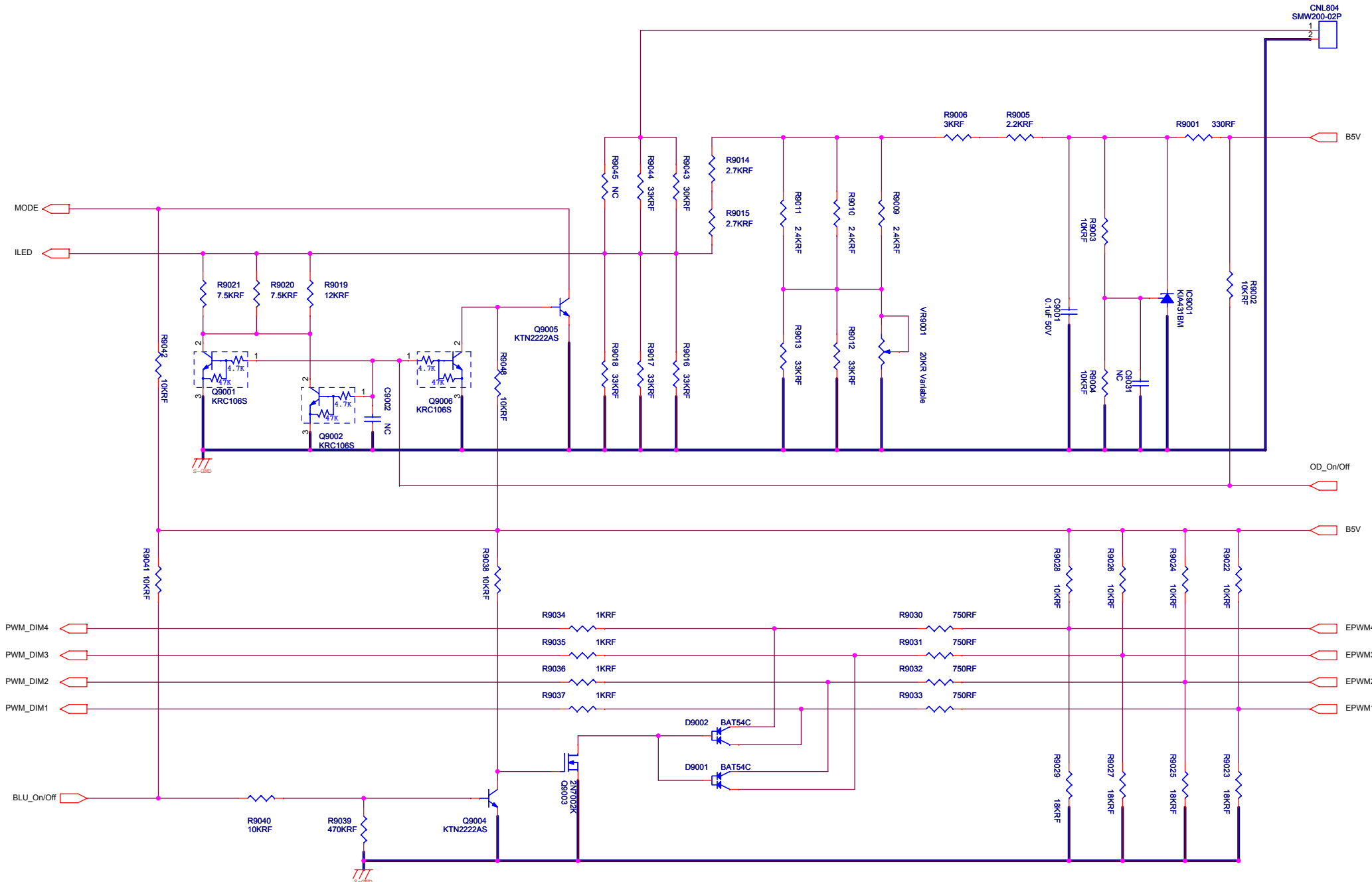


PL&회로도&실물&BOM 4점 정합함을 보증함
 Comply with the threshold of substances which are specified in 0QA_209

NOTE

- ** NC : No Connection
- ** No marking resistor 1608 1% SMD
- ** No marking capacitor 1608 X7R SMD

	USER SAMSUNG ELECTRONICS CO.,Ltd.	DATE Thursday, January 09, 2014
	MODEL NAME L42X1Q_DHS	SCALE A3
	PCB NUMBER BN44-00622B	DESIGNER T.H.KANG
		APPROVED S.G.HWANG



PL&회로도&실물&BOM 4점 정합함을 보증함
 Comply with the threshold of substances which are specified in 0QA_209

NOTE

** NC : No Connection
 ** No marking resistor 1608 1% SMD
 ** No marking capacitor 1608 X7R SMD

	USER: SAMSUNG ELECTRONICS CO.,Ltd. MODEL NAME: L42X1Q_DHS PCB NUMBER: BN44-00622B	DATE: Thursday, January 09, 2014 DRAWN: J.G.YEOM CHECKED: T.H.KANG APPROVED: S.G.HWANG
	SCALE: A3	
	UNIT: R.F	
	Comment: <?>	