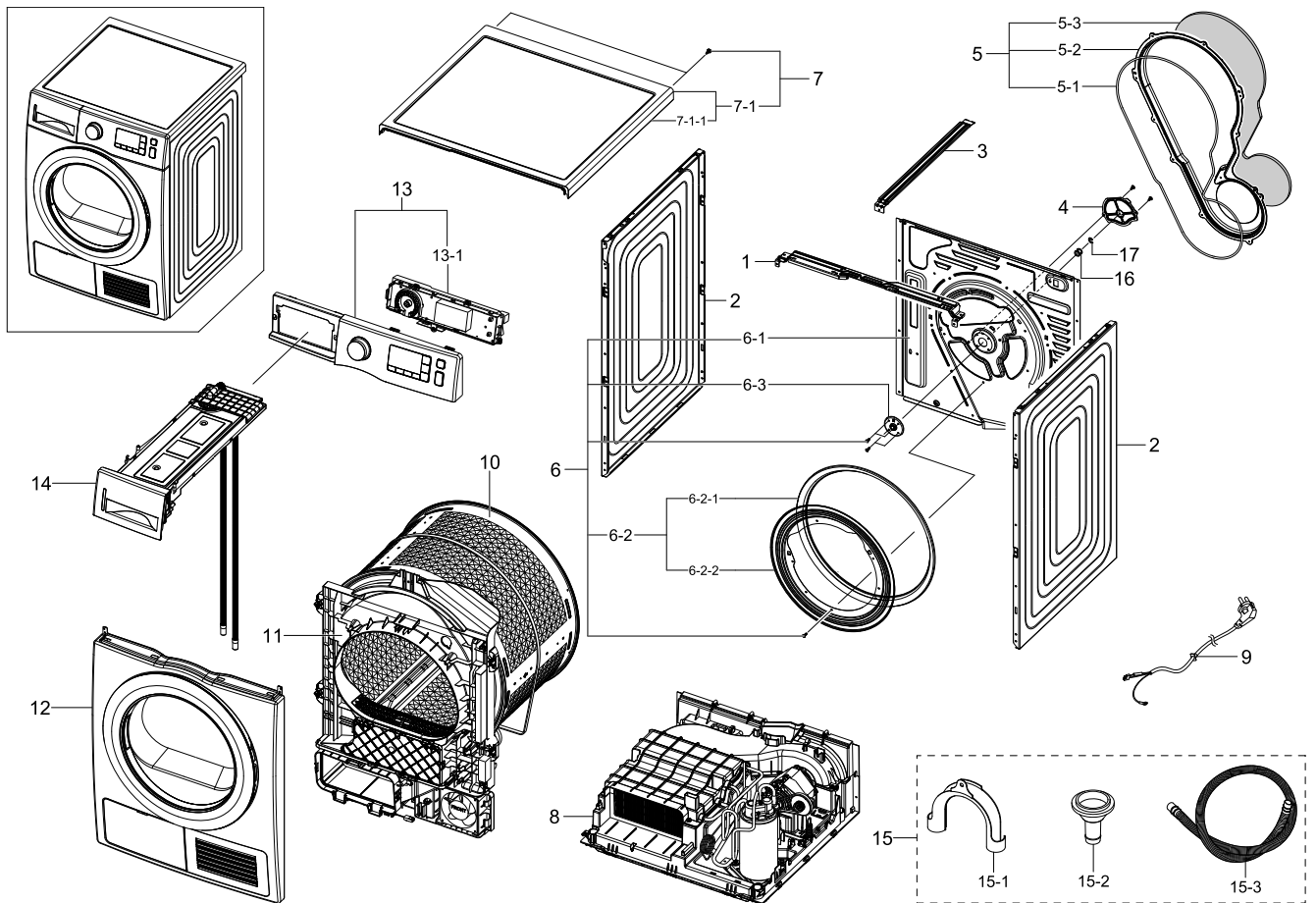


1. Main

Exploded View



Parts List

No.	Lvl.	Loc.	Material Code	Description & Specification	SNA	Qty.
1	2	WF0008	DC97-17883A	ASSY FRAME PLATE(U); DV-F500E,DV90F5E6HGW	SNA	1
2	2		DC61-03638A	FRAME-SIDE; DV90F5E6HGW,EGI-SECC,-,DA WHI	SA	2
3	2		DC61-03639A	GUIDE WIRE; DV90F5E6HGW,GI-SGCC,T1.2,-,-	SA	1
4	2	WS0141	DC63-01263A	COVER BEARING; SDC18809,EGI-SECC,T0.8,W10	SA	1
5	2	WY0097	DC93-00382A	ASSY COVER DUCT; DV-F500E,DV90F5E6HGW,PP+	SA	1
5-1	3		DC62-00377C	SEAL DUCT; DV90F5E6HGW,EPDM,BLACK,-,L1840	SA	1
5-2	3		DC63-01605A	COVER DUCT FAN; DV90F5E6HGW,PP,-,-,DARK H	SNA	1
5-3	3		DC63-01620A	ABSORBER SPONGE; DV90F5E6HGW,PE-FOAM,T10,	SNA	1

Exploded Views and Parts List

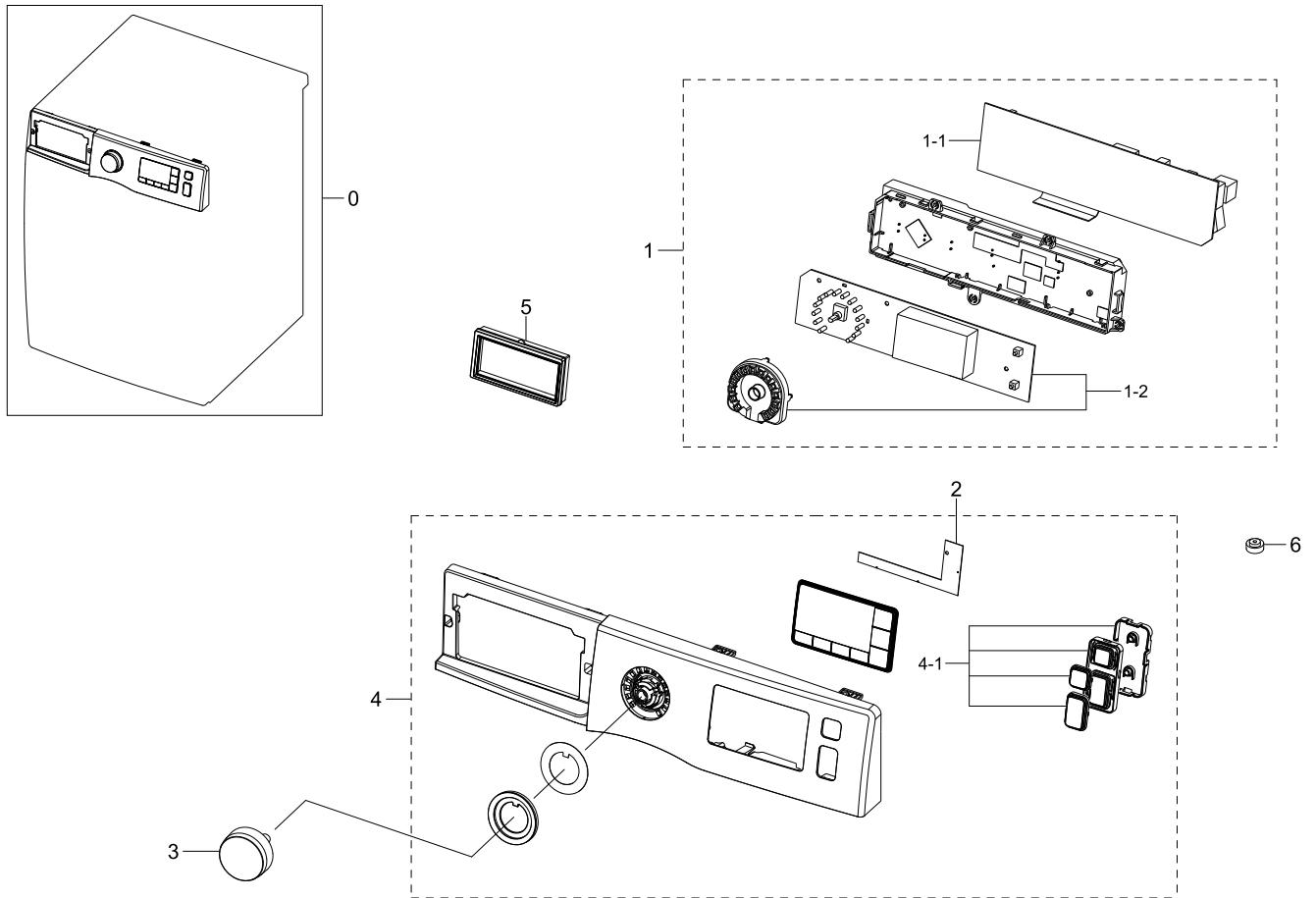
No.	Lvl.	Loc.	Material Code	Description & Specification	SNA	Qty.
6	2		DC97-17452A	ASSY FRAME-REAR; DV-F500E,DV90F5E6HGW,-	SNA	1
6-1	3		DC61-03637A	FRAME-REAR; DV90F5E6HGW,GI-SGCC,-,T0.7	SNA	1
6-2	3	WJ0091	DC93-00072A	ASSY GASKET FELT; GE24-DRYER,DCVH480EK,-,	SA	1
6-2-1	4	WJ0110	DC93-00093A	ASSY GASKET FELT SUB; GE24-DRYER,DCVH480E	SA	1
6-2-2	4	WJ0093	DC61-02263A	BRACKET GASKET FELT; DCVH480EK0WW,STAINLE	SA	1
6-3	3	WS0009	DC97-16288A	ASSY HOUSING BEARING; D100-PJT,SDC18809,8	SA	1
7	1	WF0003	DC90-13380A	ASSY COVER TOP; DV-F500E 9KG	SNA	1
7-1	2	WF0003	DC97-17446A	ASSY COVER TOP; DV-F500E,DV90F5E6HGW,DA-W	SA	1
7-1-1	3		DC63-01606A	COVER TOP; DV90F5E6HGW,ABS,T3.5,-,DA WHIT	SA	1
8	1	WB0001	DC90-13379A	ASSY BASE; DV-F500E 9KG	SNA	1
9	2	WE0016	DC96-00146A	ASSY POWER CORD; VDE,UCP2,250V16A,H05VV-F	SC	1
10	1	WG0004	DC90-13381A	ASSY DRUM; DV-F500E 9KG	SNA	1
11	2		DC97-17459A	ASSY DRUM FRONT; DV-F500E,DV90F5E6HGW	SA	1
12	1	WF0009	DC90-14031A	ASSY FRONT; DV80F5E5HGW/EN	SNA	1
13	1	WC0016	DC90-16908A	ASSY PANEL CONTROL; DV80F5E5HGW/EF	SNA	1
13-1	2		DC92-01481A	ASSY KIT; PBA KIT,DV-F500E,HEAT PUMP DRYE	SA	1
14	1	WR0005	DC90-13383A	ASSY DRAWER; DV-F500E 9KG	SNA	1
15	2	WA0002	DC98-01730A	ASSY ACCESSORY; DV-F500E,DV90F5E6HGW	SNA	1
15-1	3	WH5379	DC62-10278A	HOSE HANGER; PUMP MODEL,PP,BLACK	SA	1
15-2	3		DC61-02479A	GUIDE HOSE; SDC18809,PP,T1.5,L34.5,NTR,D1	SA	1
15-3	3	WH0023	DC97-15757C	ASSY HOSE DRAIN; D100,SDC18809,L1998,ID9.	SA	1
16	2	WJ0083	6031-002038	WASHER-PLAIN; NYLON,ID12,OD17,T1.0,NTR	SA	2
17	2	WX0623	6044-001784	RING-C; ID11.1,STW-12,T1.0,BLK,STC5	SA	1

Exploded Views and Parts List

No.	Lvl.	Loc.	Material Code	Description & Specification	SNA	Qty.
2-6	3	WD0011	DC97-15505B	ASSY HOLDER LEVER; D100,SDC18809,DARK HOL	SA	1
2-6-1	4	WD0106	DC61-02253B	HOLDER LEVER; D100,POM,DARK HOLDER GRAY	SA	1
2-7	3	WD0003	DC97-17483A	ASSY DOOR; DV-F500E,DV80F5E5HGW	SNA	1
2-7-1	4		DC64-02962A	DOOR GLASS; DV90F5E6HGW,GLASS,T3.2,-,CLEA	SA	1
2-7-2	4	WD0114	DC66-00643A	LEVER DOOR; SDC18809,ZNDC,W52,L31,NI PLAN	SNA	1
2-7-3	4	WD0090	DC61-00891A	GUIDE HINGE; HAUZEN(DOM),POM,-,-,-,WHT,HI	SA	4
2-7-4	4	WD0134	DC61-02462A	SUPPORT HINGE; SDC18809,GI-SGCC,T1.4,W143	SA	1
2-7-5	4		DC61-03665A	HINGE DOOR; DV80F5E5HGW,ALDC,T4.0,-	SA	1
2-7-6	4		DC61-03670A	GUIDE HOLDER GLASS; DV80F5E5HGW,PP,T1.5,-	SNA	1
2-7-7	4	WD0104	DC61-03671A	HOLDER GLASS; DV80F5E5HGW,PP,T0.3,NEAT WH	SA	1
2-7-8	4	WD0104	DC61-03672A	HOLDER GLASS; DV80F5E5HGW,PP,T0.3,NEAT WH	SA	1
2-7-9	4		DC62-00271B	SEAL AIR; DV90F5E6HGW,TPE,-,-,XR-1045,GRA	SA	1
2-7-10	4		DC62-00270B	SEAL DOOR; DV90F5E6HGW,TPE,-,-,XR-1045,GR	SA	1
2-7-11	4		DC63-01616A	COVER DOOR; DV90D5E5HGW,HIPS,T2.5,-,DA WH	SA	1
2-7-12	4		DC63-01627A	COVER HOLDER; DV80F5E5HGW,PMMA,T2.3,-,NAT	SA	1
2-7-14	4		DC63-01628A	COVER DOOR; DV80F5E5HGW,ABS+PMMA,T1.8,-,N	SA	1

3. Assy Panel Control

Exploded View

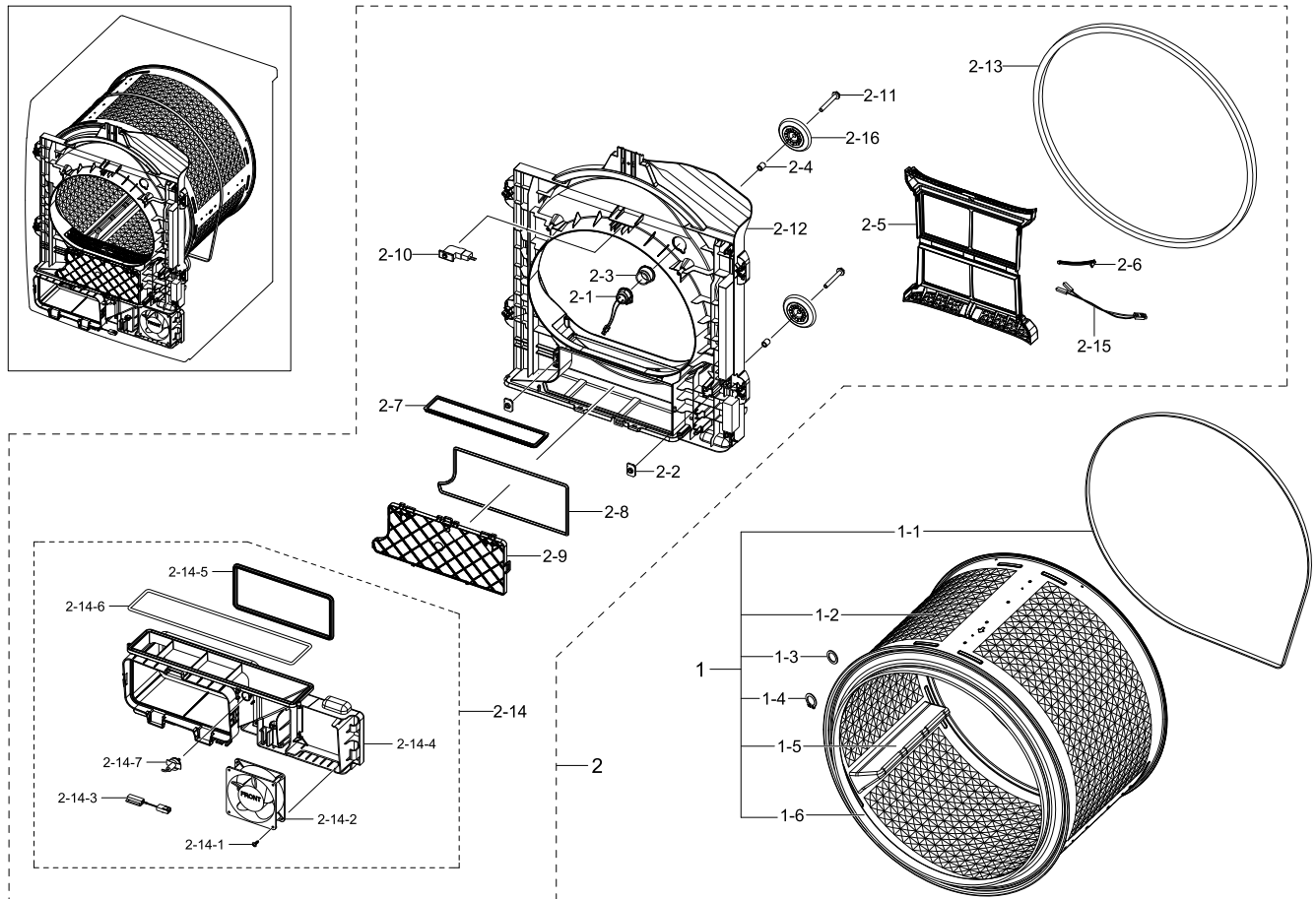


Parts List

No.	Lvl.	Loc.	Material Code	Description & Specification	SNA	Qty.
0	1	WC0016	DC90-16908A	ASSY PANEL CONTROL; DV80F5E5HGW/EF	SNA	1
1	2		DC92-01481A	ASSY KIT; PBA KIT,DV-F500E,HEAT PUMP DRYE	SA	1
1-1	3	WZ0010	DC92-01484A	ASSY PCB MAIN; MAIN,DV-F500E,Y,230V/50HZ,	SA	1
1-2	3	WZ0025	DC92-01486A	ASSY PCB SUB; SUB BEST 8kg,DV-F500E,N,HEA	SA	1
2	2		DC93-00351A	ASSY SENSOR; F500 BEST,TOUCH SENSOR,7-BUT	SA	1
3	2	WC0009	DC97-17318B	ASSY KNOB ENCODER; WF80F50FU4W/EF	SNA	1
4	2	WC0016	DC97-17454R	ASSY PANEL CONTROL; DV80F5E5HGW/EF,FRENCH	SA	1
4-1	3	WC0001	DC97-17392A	ASSY BUTTON; WF80F50FU4W/EF	SA	1
5	2		DC62-00402A	SEAL RUBBER; EPDM,BLACK,-,BEST	SA	1
6	2		DC62-00404A	SEAL RUBBER; DV90F5E6HGW,EPDM,BLACK,-,DV-	SA	1

4. Assy Drum

Exploded View



Parts List

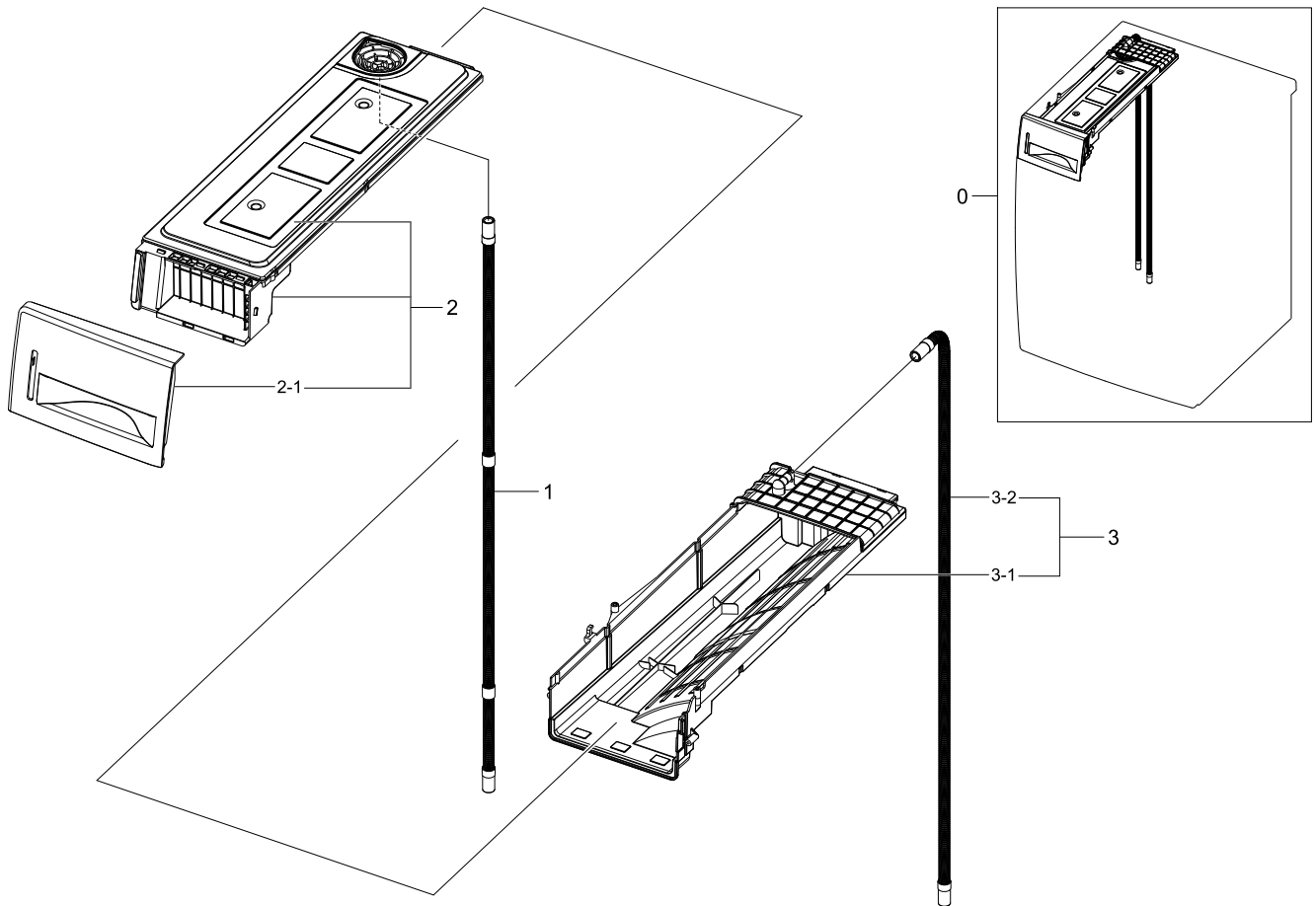
No.	Lvl.	Loc.	Material Code	Description & Specification	SNA	Qty.
1	1	WG0004	DC90-13381A	ASSY DRUM; DV-F500E 9KG	SNA	1
1-1	2	WS0060	6602-002024	BELT-TIMING GEAR; 7PH1970,RUBBER,T2.7,L19	SA	1
1-2	2	WG0007	DC97-17465A	ASSY DRUM WRAPPER; DV-F500E,DV90F5E6HGW	SA	1
1-3	2	WJ0083	6031-002038	WASHER-PLAIN; NYLON,ID12,OD17,T1.0,NTR	SA	2
1-4	2	WX0623	6044-001784	RING-C; ID11.1,STW-12,T1.0,BLK,STC5	SA	1
1-5	3	WG0055	DC66-00541A	DRUM LIFTER; GE24-DRYER,PP,T3.0,FC2210,GR	SA	3
1-6	3		DC66-00793A	DRUM FRONT; DV90F5E6HGW,STAINLESS-ST5430,	SNA	1
2	2		DC97-17459A	ASSY DRUM FRONT; DV-F500E,DV90F5E6HGW	SA	1
2-1	3	WE0174	DC47-00027A	ASSY LAMP LED; 2,FR-1,4.8~5.2,WHITE,AMP	SA	1

Exploded Views and Parts List

No.	Lvl.	Loc.	Material Code	Description & Specification	SNA	Qty.
2-2	3	WP0122	DC61-00201A	BRACKET NUT; P1291,SBHG-R,T3,NO-PAINT/MOT	SNA	2
2-3	3	WI0349	DC61-02457A	FIXER LAMP; D100-DRYER,EPDM,GRAY	SA	1
2-4	3	WS0063	DC61-02485A	BUSH BEARING; SDC18809,SWRCH10A,ID8,OD12,	SA	2
2-5	3		DC61-03634A	CASE FILTER; DV90F5E6HGW,PP,T2.5,DARK HOL	SA	1
2-6	3		DC61-03635A	PLATE SENSOR; DV90F5E6HGW,STAINLESS-ST543	SA	2
2-7	3		DC62-00375A	SEAL PACKING; DV90F5E6HGW,EPDM,DARK HOLDE	SA	1
2-8	3		DC62-00377A	SEAL DUCT; DV90F5E6HGW,EPDM,BLACK,-	SA	1
2-9	3		DC63-01604A	COVER DUCT-F; DV90F5E6HGW,PP,T2.5,-,DARK	SNA	1
2-10	3	WE0068	DC64-00828D	DOOR-S/W; PDS020-02 / SPE110F-1D,PA,T13.2	SA	1
2-11	3	WF0126	DC66-00572A	SHAFT ROLLER; SDC18809,SWRCH10A,L61,OD8,Z	SA	2
2-12	3		DC66-00792A	DRUM FRONT-R; DV90F5E6HGW,PP,T2.5,-,FC230	SNA	1
2-13	3	WI0028	DC93-00125B	ASSY GASKET PAD; DV-F500E,DV90F5E6HGW,L16	SNA	1
2-14	3	WY0012	DC93-00396A	ASSY DUCT-FRONT; DV-F500E,DV90F5E6HGW,PP(SA	1
2-14-1	4	WX0622	6002-001306	SCREW-TAPPING; TH,+,1,M4,L14,ZPC(WHT),SWR	SA	1
2-14-2	4	WS0093	DC31-00177A	MOTOR FAN; F1238S12B,0.29A,3.5W,2000,DC 1	SA	1
2-14-3	4	WE0134	DC34-00001G	SWITCH REED; DC5V,1.5A,Sensor : RHODIUM(M	SA	1
2-14-4	4		DC61-03646A	GUIDE AIR FLOW; PP,T2.5,HB,FC2305,DARK HO	SA	1
2-14-5	4		DC62-00280B	SEAL CONDENSER; DV-F500E,TPE,KT GRAY,-,L6	SA	1
2-14-6	4		DC62-00377B	SEAL DUCT; DV90F5E6HGW,EPDM,BLACK,-,L930	SA	1
2-14-7	4	WE5048	DC90-10128G	ASSY THERMISTOR; SEW-745DW,L120,-,-	SA	1
2-15	3	WW5193	DC96-00766A	ASSY WIRE HARNESS; -	SA	1
2-16	3	WS0021	DC97-15768A	ASSY ROLLER; D100-PJT,SDC18809	SA	2

5. Assy Drawer&Housing Drawer

Exploded View

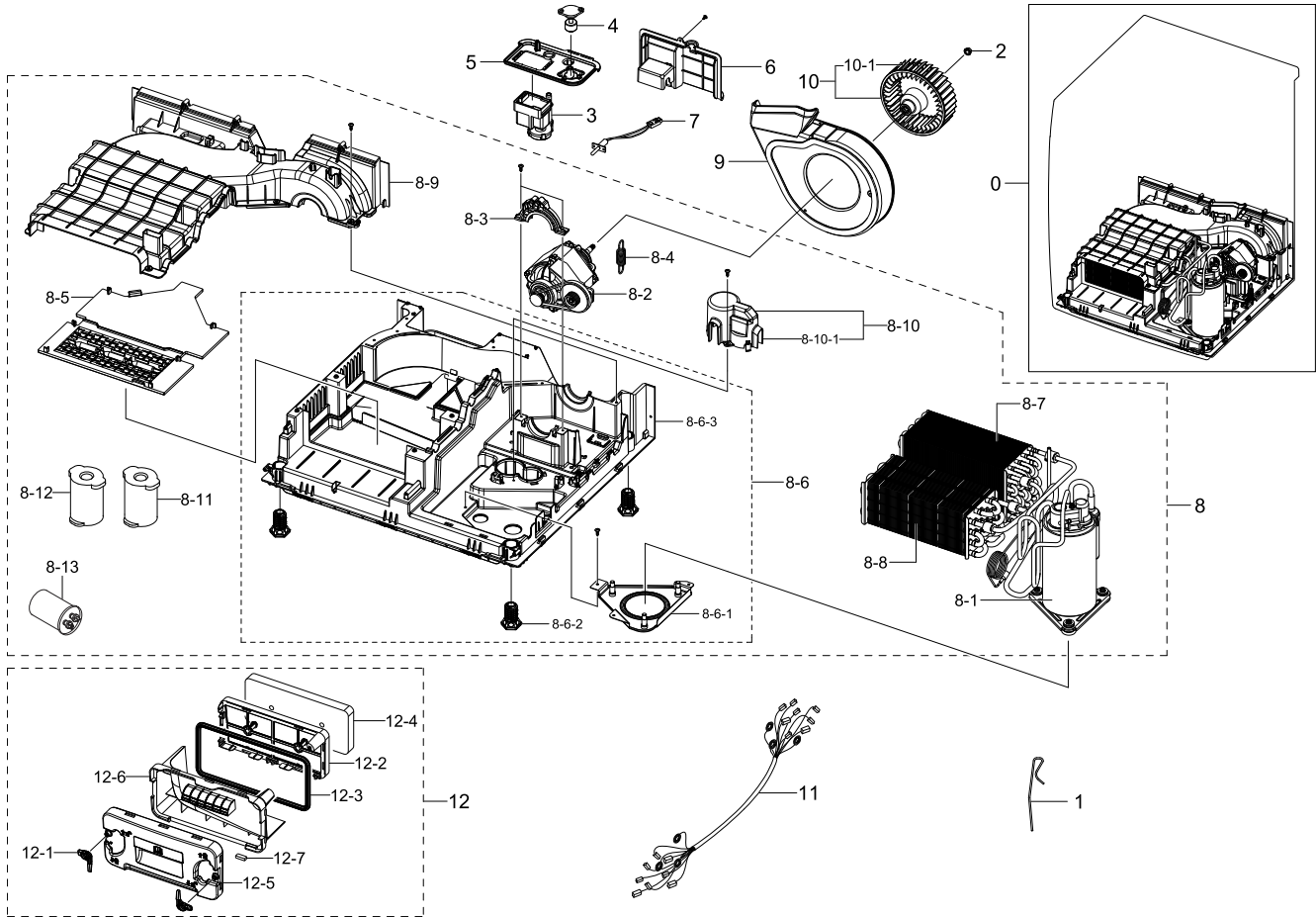


Parts List

No.	Lvl.	Loc.	Material Code	Description & Specification	SNA	Qty.
0	1	WR0005	DC90-13383A	ASSY DRAWER; DV-F500E 9KG	SNA	1
1	2	WH0023	DC97-15757F	ASSY HOSE DRAIN; DV-F500E,DV90D5E5HGW,GRA	SA	1
2	2	WR0005	DC97-17450A	ASSY DRAWER; DV-F500E,DV90F5E6HGW	SA	1
2-1	3	WC0120	DC64-02950A	PANEL DRAWER; DV90D5E5HGW,ABS,-,HG-0760GP	SA	1
3	2	WR0008	DC97-17451A	ASSY HOUSING DRAWER; DV-F500E,DV90F5E6HGW	SNA	1
3-1	3		DC61-03647A	HOUSING DRAWER; DV90D5E5HGW,PP,T2.5,NATUR	SA	1
3-2	3	WH0023	DC97-15757E	ASSY HOSE DRAIN; DV-F500E,DV90D5E5HGW,GRA	SA	1

6. Assy Base

Exploded View



Parts List

No.	Lvl.	Loc.	Material Code	Description & Specification	SNA	Qty.
0	1	WB0001	DC90-13379A	ASSY BASE; DV-F500E 9KG	SNA	1
1	2		DC61-03700A	SPRING ETC; DV90F5E6HGW,STAINLESS-ST5301,	SNA	1
2	2	WX0618	6021-001321	NUT-INCH; RIGHT TURN,3/8"-24,ZPC(BLK),SWC	SA	1
3	2	WU5017	DC31-00105A	PUMP-DRAIN; B13-6AA01120,220V-240V,50Hz,4	SA	1
4	2	WE0176	DC34-00010A	SWITCH FLOAT; 500.5mm,1.5	SA	1
5	2		DC61-03643A	HOLDER PUMP MOTOR; DV-F500E,PP,T2.5,NATUR	SA	1
6	2		DC63-01609A	COVER PUMP; DV-F500E,PP,T2.5,-,NATURAL,FH	SA	1
7	2	WE5048	DC90-10128G	ASSY THERMISTOR; SEW-745DW,L120,-,-	SA	1
8	2		DC90-13394A	ASSY CIRCULATION SYSTEM; DV-F500E	SA	1

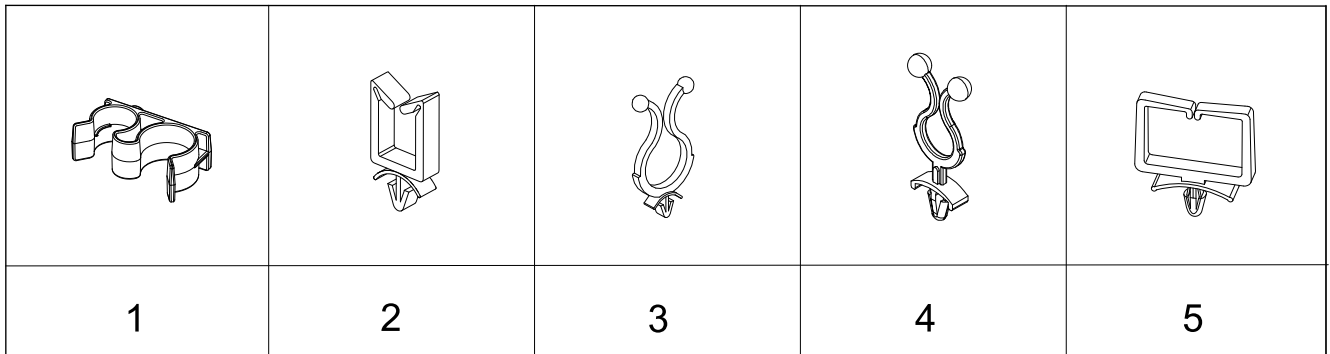
No.	Lvl.	Loc.	Material Code	Description & Specification	SNA	Qty.
8-1	3		UX9B042JHCJASG	RCP,39B SINGLE,J,R134A; RCP,39B SINGLE,J,R134A		1
8-2	3		DC31-00106C	MOTOR AC DRIVE; DV-F500E,Y6S258D203,2Pole	SA	1
8-3	3	WS0139	DC61-02467A	SUPPORT-MOTOR(U); D100-PJT,PP,T3.0,W111,L	SA	1
8-4	3	WP0015	DC61-02487A	SPRING ETC TENSION; SDC18809,HSWR-SWRH,CD	SA	1
8-5	3		DC63-01602A	COVER BASE; DV-F500E,PP,T2.5,-,NATURAL,BJ	SA	1
8-6	3	WB0004	DC90-13377A	ASSY BOTTOM; DV-F500E	SA	1
8-6-1	4		DC97-17568A	ASSY BRACKET COMP; DV-F500E,GI T1.0	SNA	1
8-6-2	4		DC61-02447B	LEG; D100 DRYER,FRPP,NTR,L49.3	SA	4
8-6-3	4	WB0012	DC61-03630A	BASE; DV-F500E,PP,NATURAL,HB,FC2305	SNA	1
8-7	3	WY0003	DC93-00394A	ASSY CONDENSER; DV-F500E,DV90F5E6HGW,AI	SNA	1
8-8	3	WY0003	DC93-00395A	ASSY CONDENSER; DV-F500E,DV90F5E6HGW,AI	SNA	1
8-9	3		DC93-00397A	ASSY COVER CONDENSER; DV-F500E,DV90F5E6HG	SNA	1
8-10	3		DC93-00436A	ASSY COVER CONDENSER; DV-F500E,DV90F5E6HG	SNA	1
8-10-1	4		DC61-03633A	HOLDER CONDENSER; DV-F500E,PP,T2.5,NATURA	SA	1
8-11	3		DC63-01644A	ABSORBER SOUND; DV90F5E6HGW,EPDM,OD20.5,-	SA	2
8-12	3		DC63-01645A	ABSORBER SOUND; DV90F5E6HGW,EPDM,OD20.5,-	SA	2
8-13	3	WX0187	2501-001233	C-OIL; 15uF,-25to+80,450V,5,50x65,#250,	SA	1
9	2		DC93-00386A	ASSY GUIDE DUCT FAN; DV-F500E,DV90F5E6HGW	SA	1
10	2	WY0022	DC93-00387A	ASSY FAN DRY; DV-F500E,DV90F5E6HGW,FRPP,O	SA	1
10-1	3		DC66-00795A	BLADE-BLOWER; DV-F500E,FRPP,NATURAL	SNA	1
11	2		DC93-00405B	ASSY WIRE HARNESS-MAIN; DV-F500E,COMP	SA	1
12	3	WI0026	DC97-17457A	ASSY FILTER GUIDE; DV-F500E,DV90F5E6HGW,H	SA	1
12-1	4		DC61-02463A	FIXER-CONDENSER; SDC18809,PP,SKY BLUE,D10	SNA	2
12-2	4		DC61-03631A	CASE FILTER; DV-F500E,PP,T2.5,KT GRAY,-,B	SNA	1
12-3	4		DC62-00280C	SEAL CONDENSER; DV-F500E,TPE,KT GRAY,-,L7	SA	1
12-4	4		DC62-00376A	SEAL DUCT; DV-F500E,PU-FOAM,BLACK,-,T15	SA	1

Exploded Views and Parts List

No.	Lvl.	Loc.	Material Code	Description & Specification	SNA	Qty.
12-5	4		DC63-01613A	FILTER GUIDE-UP; DV-F500E,PP,T2.5,KT GRAY	SNA	1
12-6	4		DC63-01614A	FILTER GUIDE; DV-F500E,PP,T2.5,KT GRAY	SNA	1
12-7	4	WE0110	DC66-90008C	MAGNET R.S; FERRITE,SEW-PM100,T5,W8,L20	SNA	1

7. Small Parts

Exploded View



Parts List

No.	Lvl.	Loc.	Material Code	Description & Specification	SNA	Qty.
1	2	WJ5055	DC65-00026A	CLAMPER HOSE-FIX; SDC18809,PP,BJ350,NTR	SA	1
2	3	WI0294	DC61-00553B	HOLDER-WIRE SADDLE; PA,NTR,NYLON66	SA	1
3	2	WI0293	DC61-40081A	HOLDER WIRE; DAWH-2NC,PA,-,NATURAL,-	SA	2
4	2		6502-000127	CABLE CLAMP; DAWH-18NB,ID15,-,NYLON66,NTR	SNA	2
5	3	WI0295	DC61-60074A	HOLDER WIRE; PA,-,NATURAL,-,101F,rectangl	SA	1