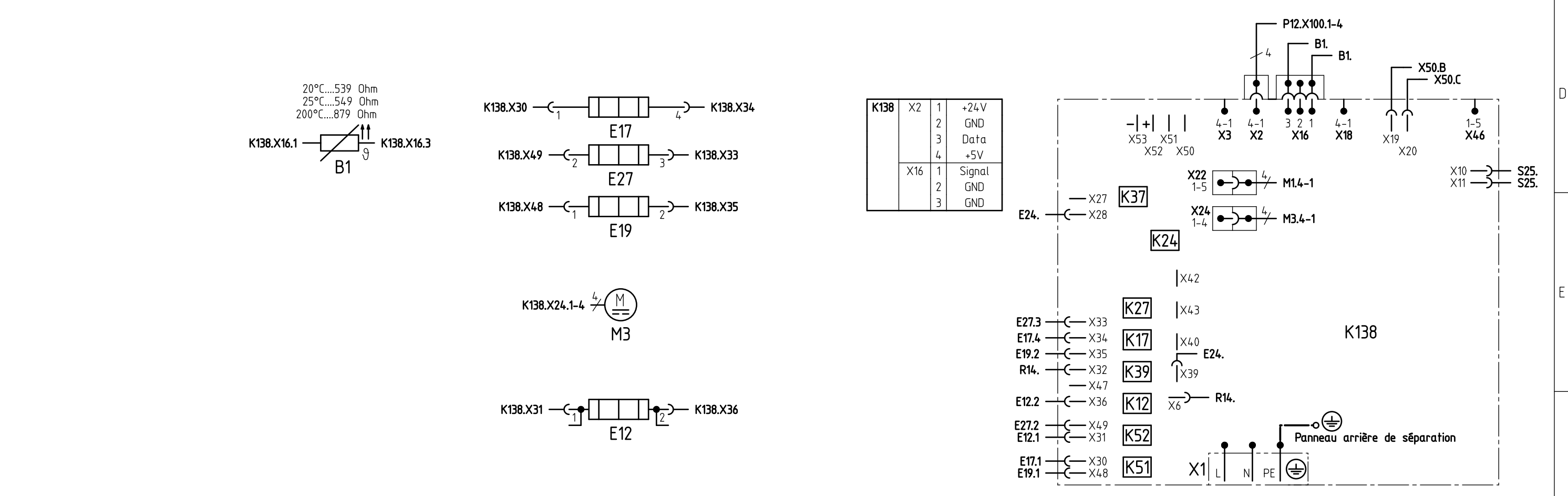
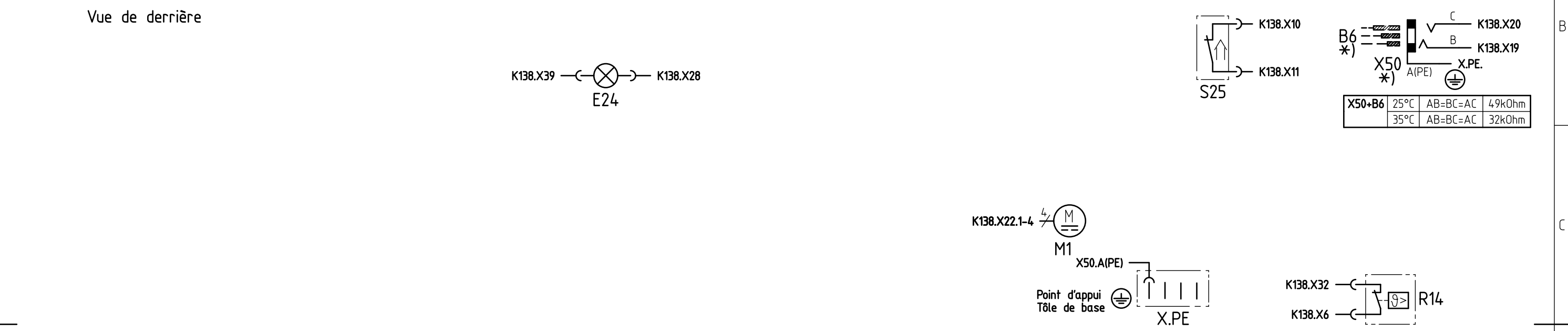
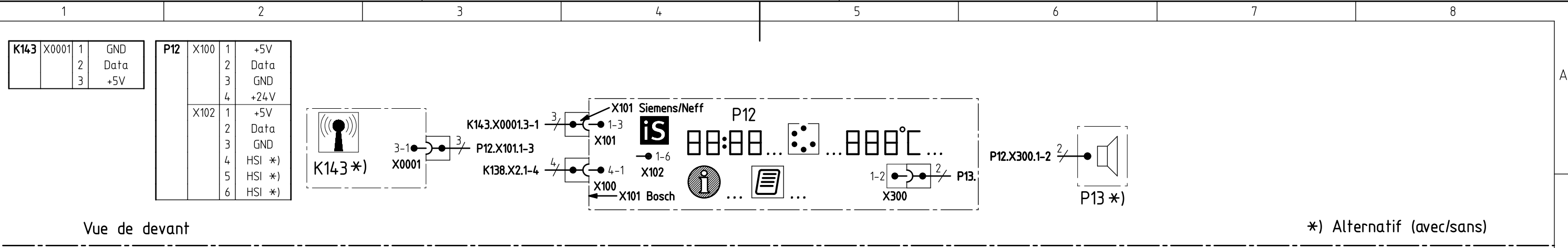


Intended changes opposing release specimen or specification offer must be advised in time and may only be introduced following written clearance. Deviating designs will be refused.

The reproduction, transmission or use of this document or its contents is not permitted without express authority. Offenders will be liable for damages. All rights including rights created by patent grant or registration of a utility model or design are reserved. Copyright reserved.



Designation Connection Diagram HB634GBS1	LCS FR	Document No. 5650 0001136527	Rev D	Sheet-No. 1 of 1
Released		Material No. 9000873703		