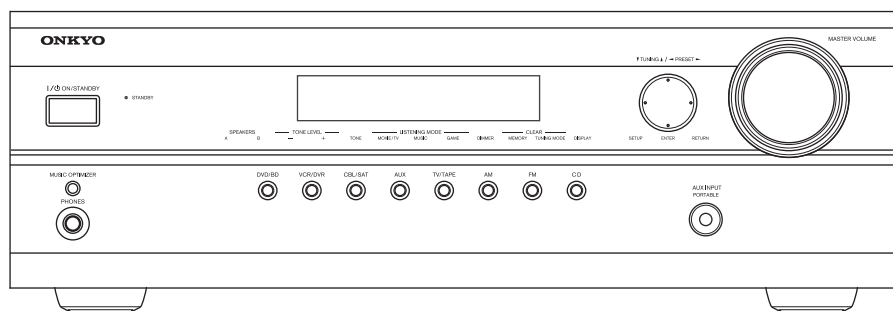


# ONKYO SERVICE MANUAL

## AV RECEIVER MODEL HT-R370(B)(S)




RC-735M

### Black and Silver models

B MDD, B MDC	120V AC, 60Hz
B MMO, S MMO	220-240V AC, 50/60Hz
B MPP	230V AC, 50Hz

### SAFETY-RELATED COMPONENT WARNING!!

COMPONENTS IDENTIFIED BY MARK  ON THE SCHEMATIC DIAGRAM AND IN THE PARTS LIST ARE CRITICAL FOR RISK OF FIRE AND ELECTRIC SHOCK. REPLACE THESE COMPONENTS WITH ONKYO PARTS WHOSE PART NUMBERS APPEAR AS SHOWN IN THIS MANUAL.

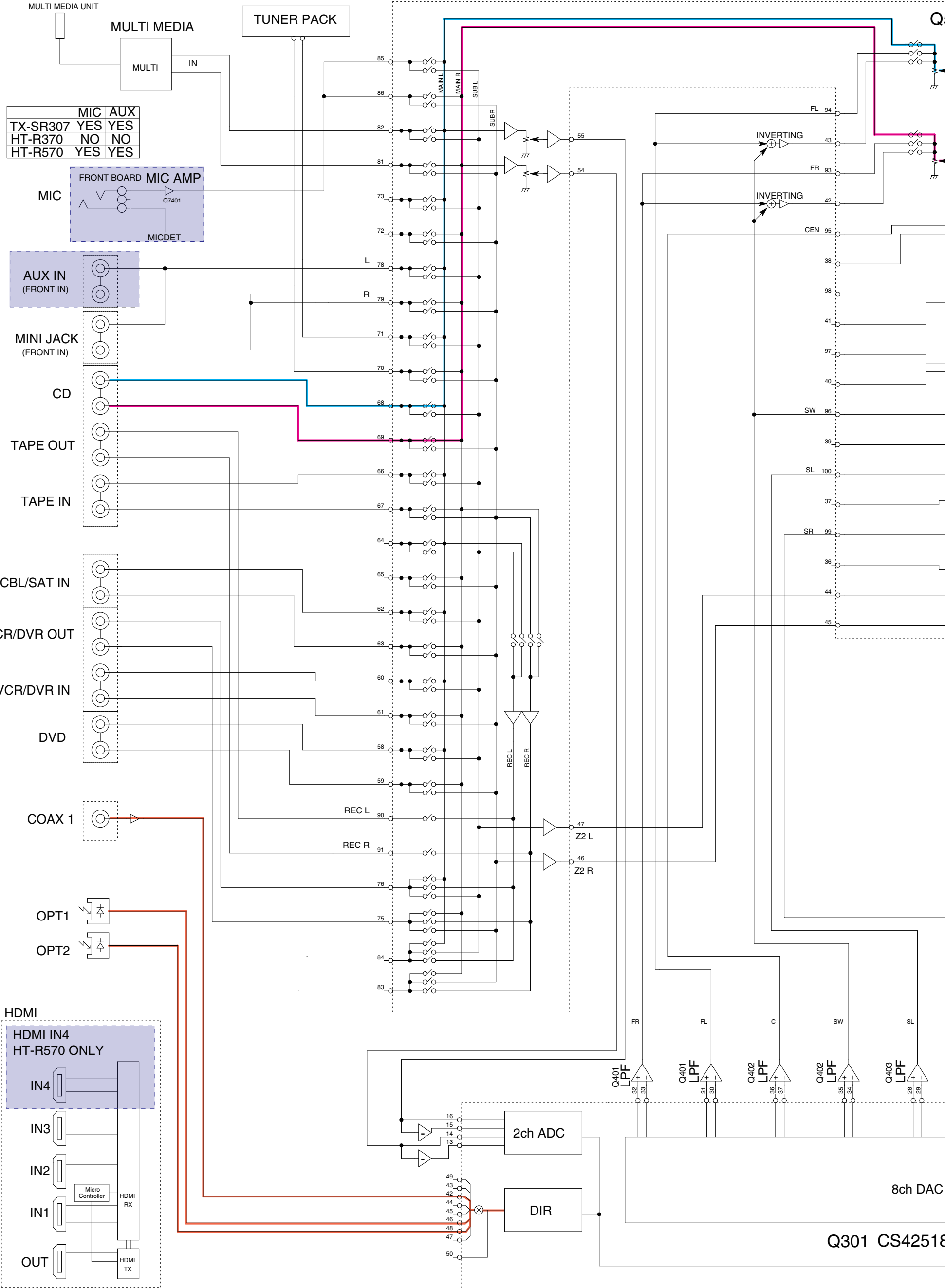
MAKE LEAKAGE-CURRENT OR RESISTANCE MEASUREMENTS TO DETERMINE THAT EXPOSED PARTS ARE ACCEPTABLY INSULATED FROM THE SUPPLY CIRCUIT BEFORE RETURNING THE APPLIANCE TO THE CUSTOMER.

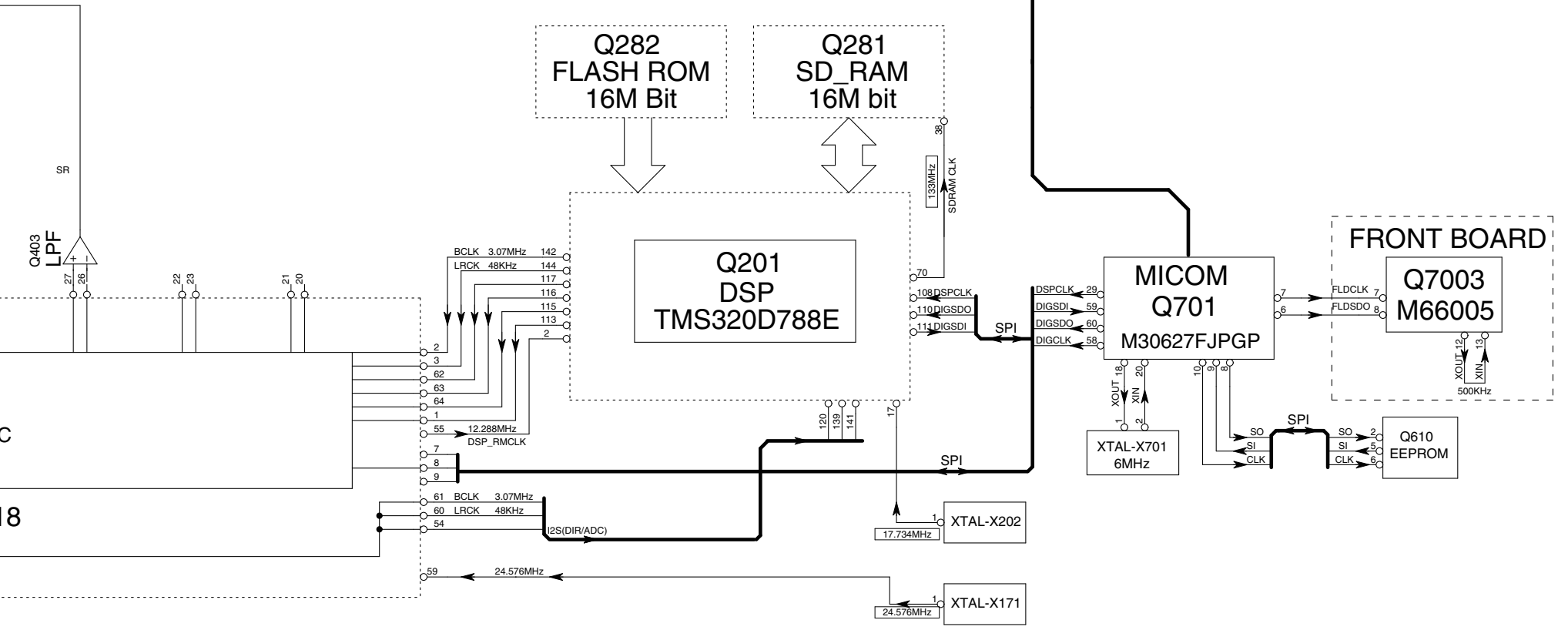
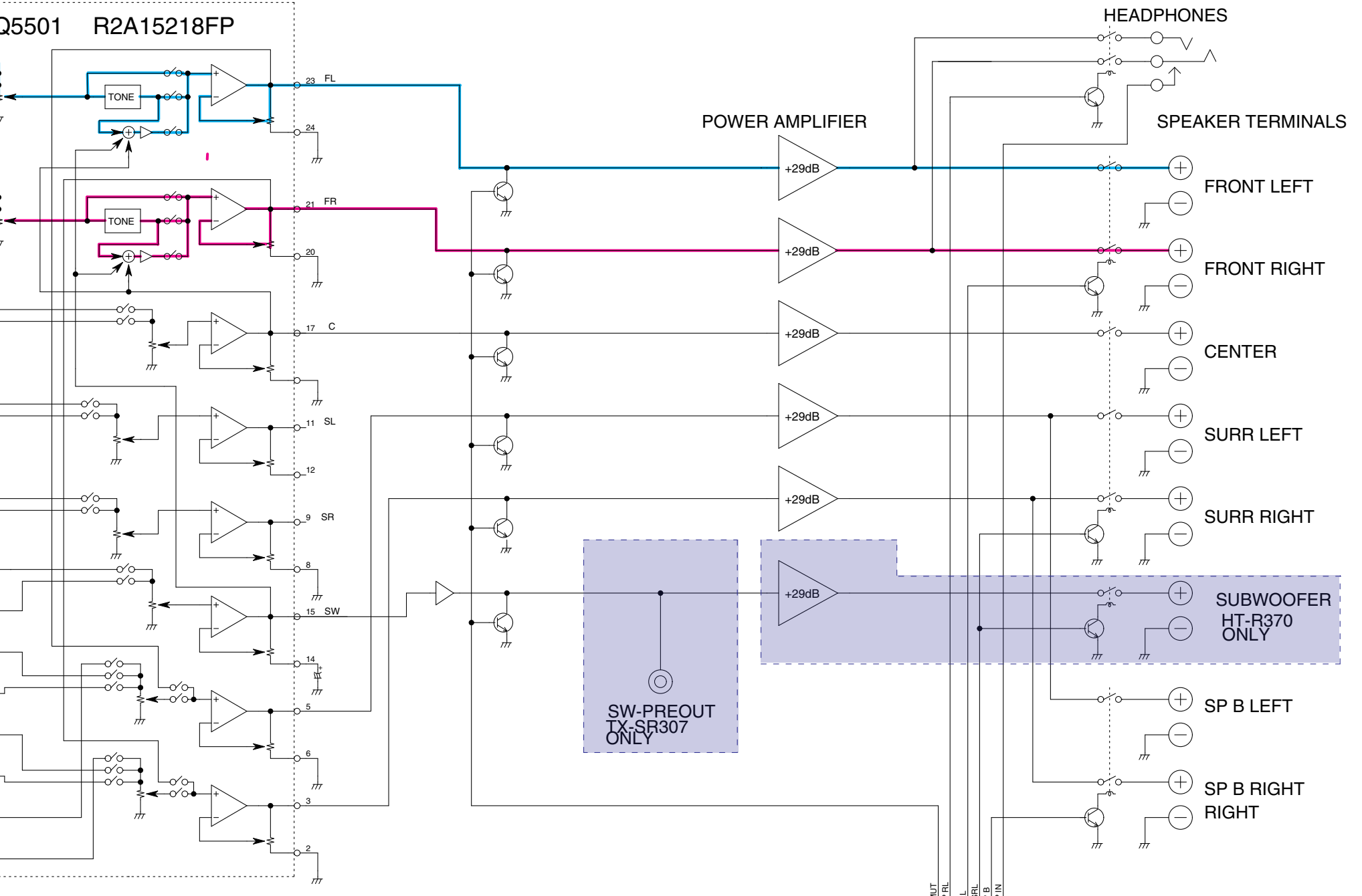


**BLOCK DIAGRAMS-1(PART-1)**  
**AUDIO SECTION**

— AUDIO ANALOG SIGNAL  
— FRONT L  
— FRONT R  
— AUDIO DIGITAL SIGNAL

1  
2  
3  
4  
5  
6  
7  
8





A

B

C

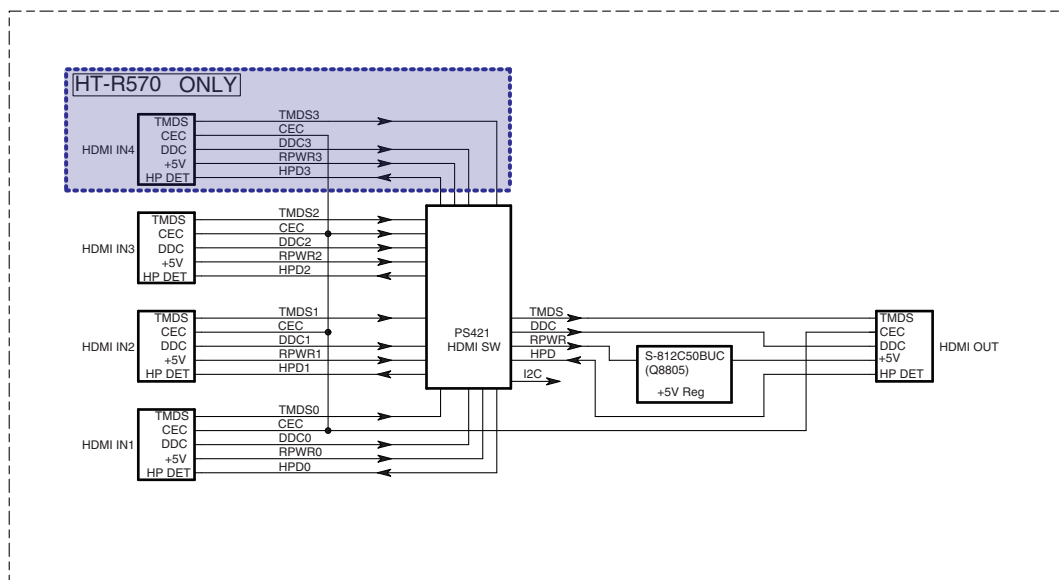
D

# BLOCK DIAGRAMS-2\_1 (PART-2\_1)

## VIDEO SECTION

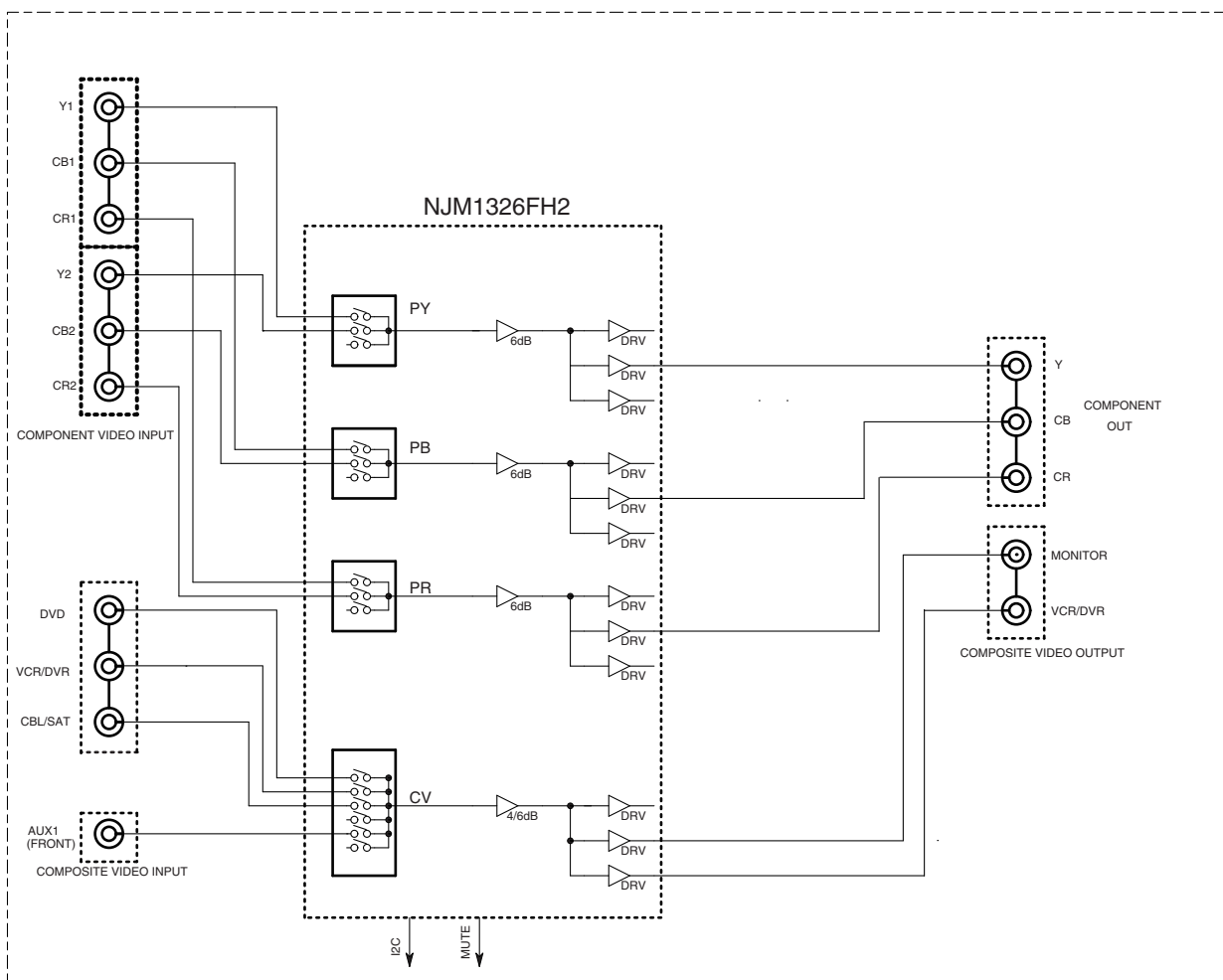
### VIDEO SECTION

1



2

3



4

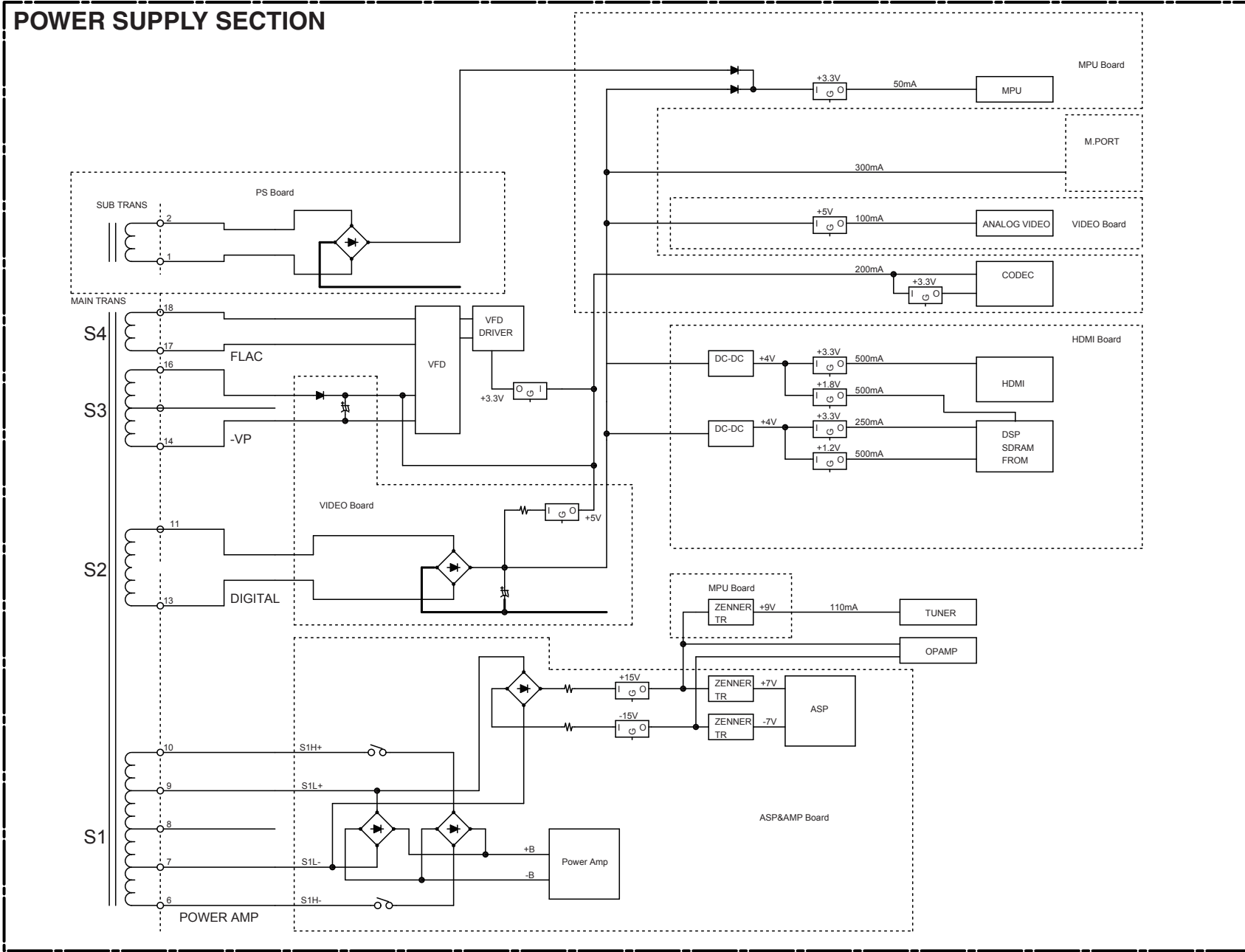
5

**BLOCK DIAGRAMS-2\_2 (PART-2\_2)**  
**POWER SUPPLY SECTION**

1  
2  
3  
4

A B C D E

**POWER SUPPLY SECTION**



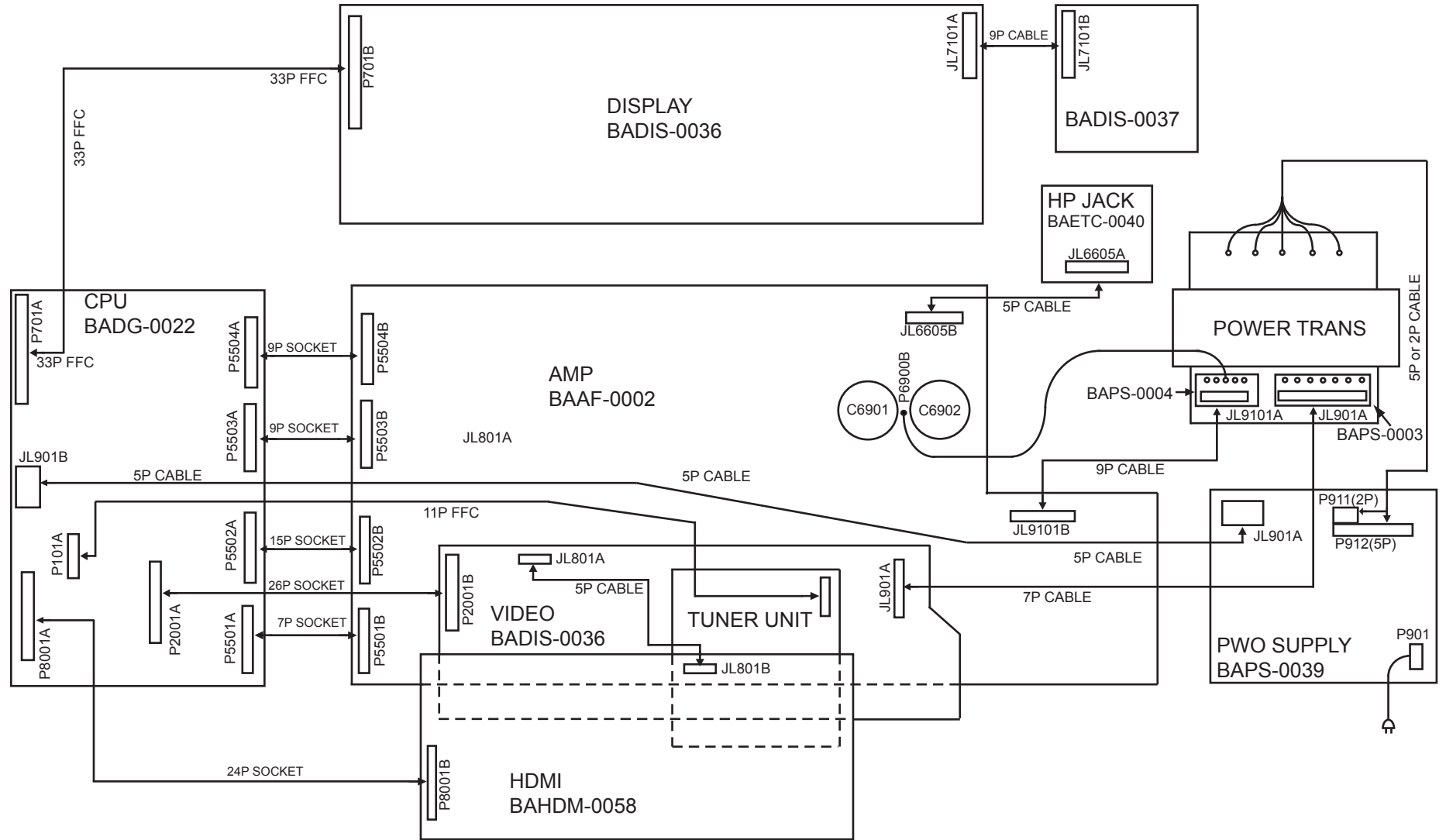
**BLOCK DIAGRAMS-2\_3 (PART-2\_3)**  
**WIRING SECTION**

1

2

3

4



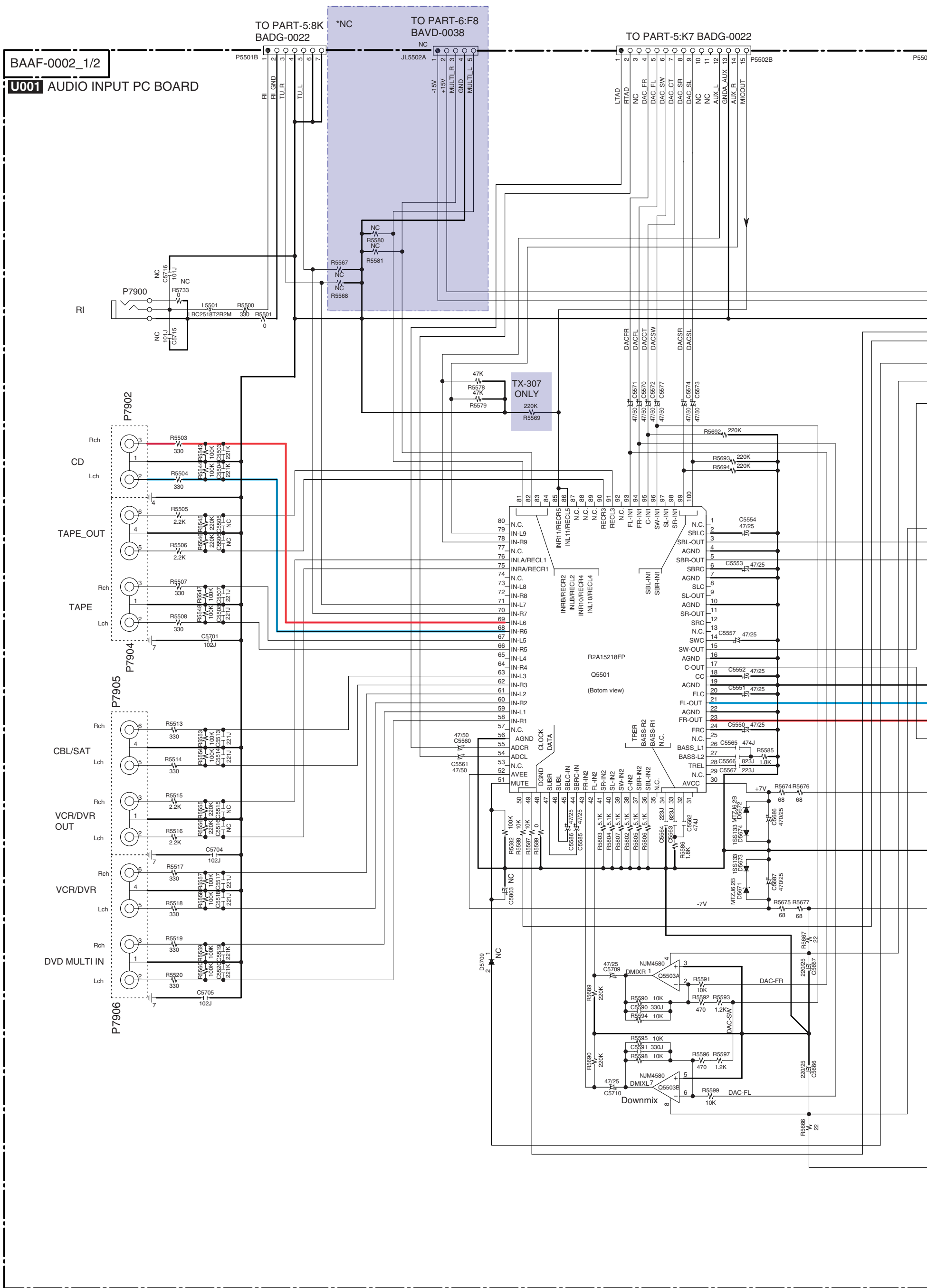
# SCHEMATIC DIAGRAMS-1 (PART-3) AUDIO INPUT SECTION

AUDIO ANALOG SIGNAL  
FRONT L  
FRONT R

<Note>  
1. NC = No mount of parts.  
2. PART-x : XY is short for Schematic Diagrams-x and each sockets location, X = A to K, Y = 1 to 7.

1  
2  
3  
4  
5  
6  
7  
8

BAAF-0002\_1/2  
U001 AUDIO INPUT PC BOARD





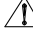
SCHMATIC DIAGRAMS-2 (PART-4)  
POWER AMPLIFIER SECTION

AUDIO ANALOG SIGNAL  
FRONT L  
FRONT R

- <Note>  
1. NC = No mount of parts.  
2. PART-x : XY is short for Schematic Diagrams-x and each sockets location, X = A to K, Y = 1 to 7.

BAAF-00002 2/2 U001

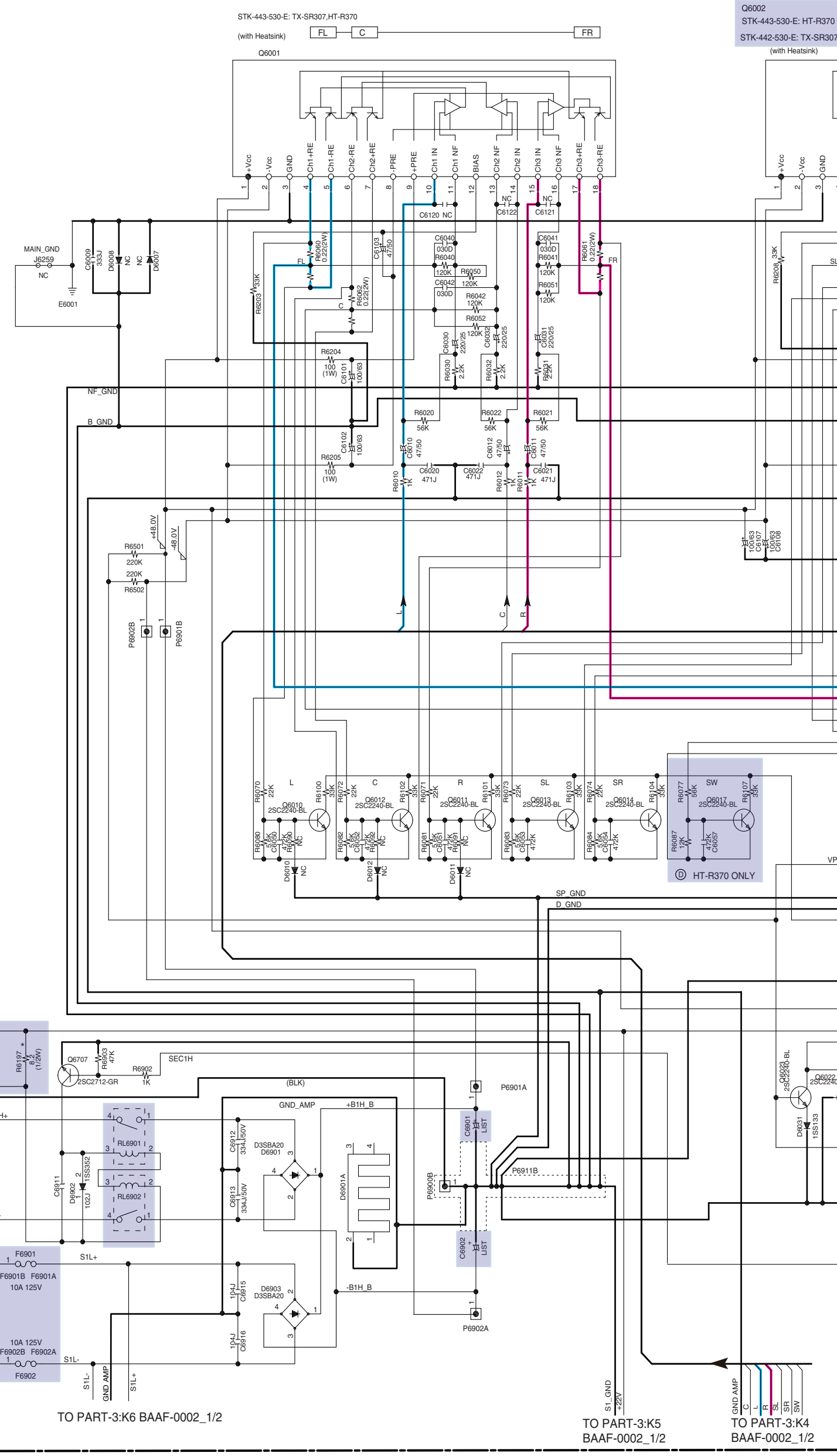
POWER AMPLIFIER PC BOARD

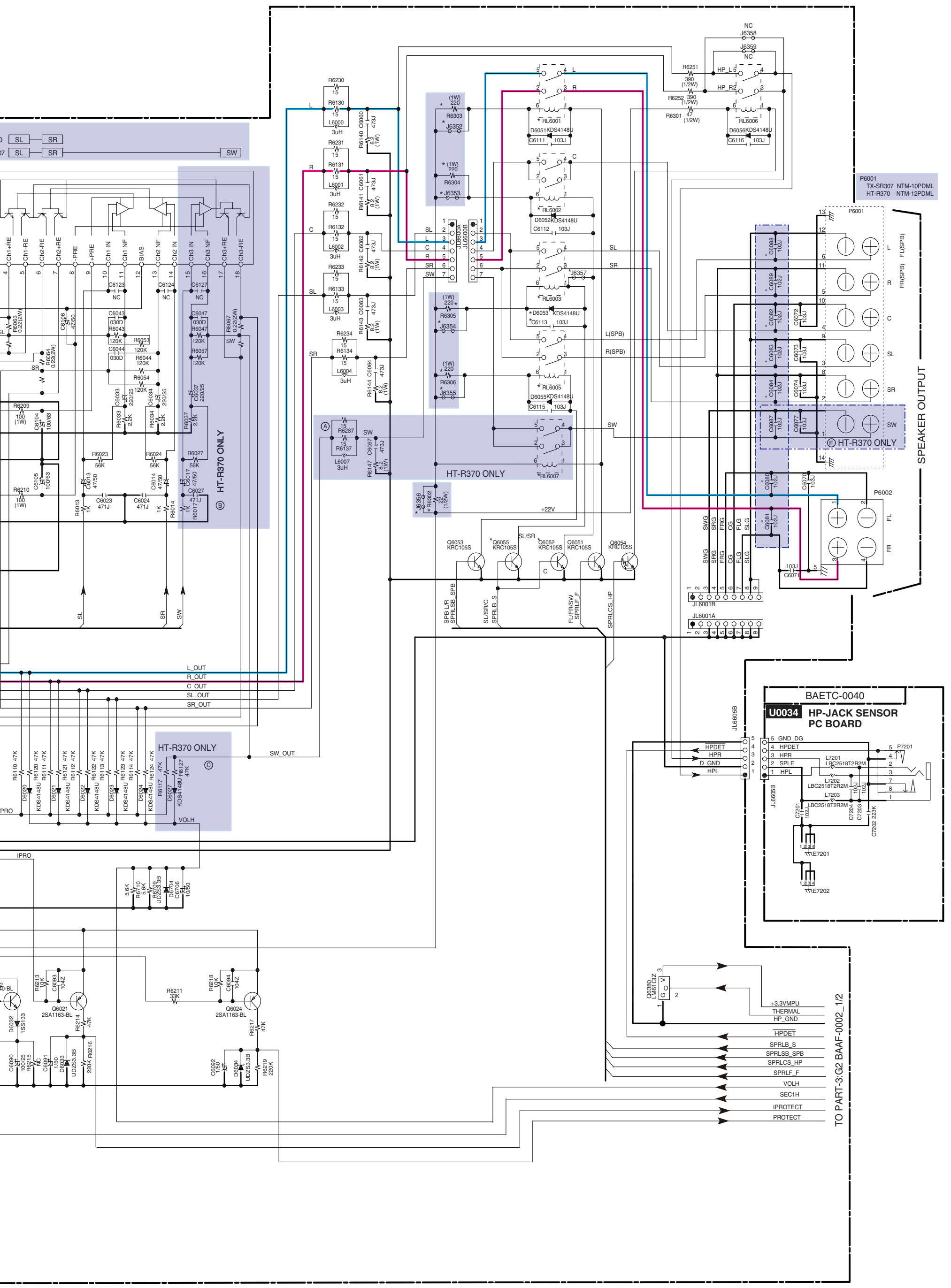
Notes  
the components identified by mark  are critical for safety replace only with part number specified  
voltage (measured with voltmeter) is dc voltage (no input signal)  
electrolytic capacitors (with symbol) are in (µF/50WV)  
all capacitors are in ( pF/50WV) unless otherwise noted.  
EX) 030→3pF 330→33pF 331→330pF 333→0.033µF  
circuit is subject to change for improvement

CAUTION  
FOR CONTINUED PROTECTION AGAINST FIRE HAZARD, REPLACE ONLY WITH FUSE OF SAME TYPE AND RATING INDICATED.  
ATTENTION  
AFIN D'ASSURER UNE PROTECTION PERMANENTE CONTRE LES RISQUES D'INCENDIE, REMPLACER UNiquement PAR UN FUSIBLE DE MEME TYPE ET CALIBRATION COMME INDIQUE.  
THIS SYMBOL LOCATED NEAR THE FUSE INDICATES THAT THE FUSE USED IS SLOW OPERATING TYPE FOR CONTINUED PROTECTION AGAINST FIRE HAZARD. REPLACE WITH SAME TYPE FUSE. FOR FUSE RATING REFER TO THE MAKING ADJACENT TO THE SYMBOL.  
CE SYMBOLE INDIQUE QUE LE FUSIBLE UTILISE EST A LENT. E POUR UNE PROTECTION PERMANENTE UTILISER QUE DES FUSIBLES DE MEME TYPE. CE DERNIER EST INDIQUE LA QU LE PRESENT SYMBOLE EST APPOSE.

Destination table

	TX-SR307			HT-R370	
	MDD MDC MDF	MPP	MMO MMQ MMR	MDD MDC	MMO
SUBWOOFER CIRCIT (A)(B)(C)(D)(E)	NO			YES	
Q6002	STK-442-530-E			STK-443-530-E	
P6001	NTM-10PDML			NTM-12PDML	
C6901	8200u 56V			8200u 63V	
C6902	8200u 63V			10000u 63V	
F6901	8A 125V			10A 125V	
F6902	125V			125V	
C6080					
C6081					
C6082					
C6083	102J			472J	
C6084	472J			102J	
C6087					
C6088					
C6089					
R6302					
R6197					
J6352	NO			YES	
J6353					
J6354					
J6355					
J6357					
J6003					
R6303	YES			NO	
R6304					
R6305					
R6306					
Q6055					
J6356					
RL6001	NRL-2P5A-DC12-192			NRL-2P5A-DC24-129	
RL6002					
RL6003					
RL6005				NRL-2P5A-DC24-158	



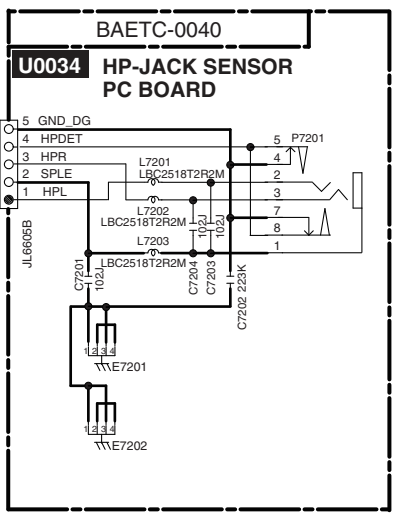


P6001  
TX-SR307 NTM-10PDM  
HT-R370 NTM-12PDM

HT-R370 ONLY

HT-R370 ONLY

HT-R370 ONLY

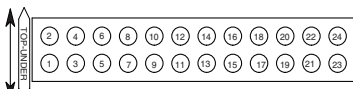


TO PART-3:G2 BAAF-0002\_1/2

# SCHEMATIC DIAGRAMS-3 (PART-5) MICOM CODEC SECTION

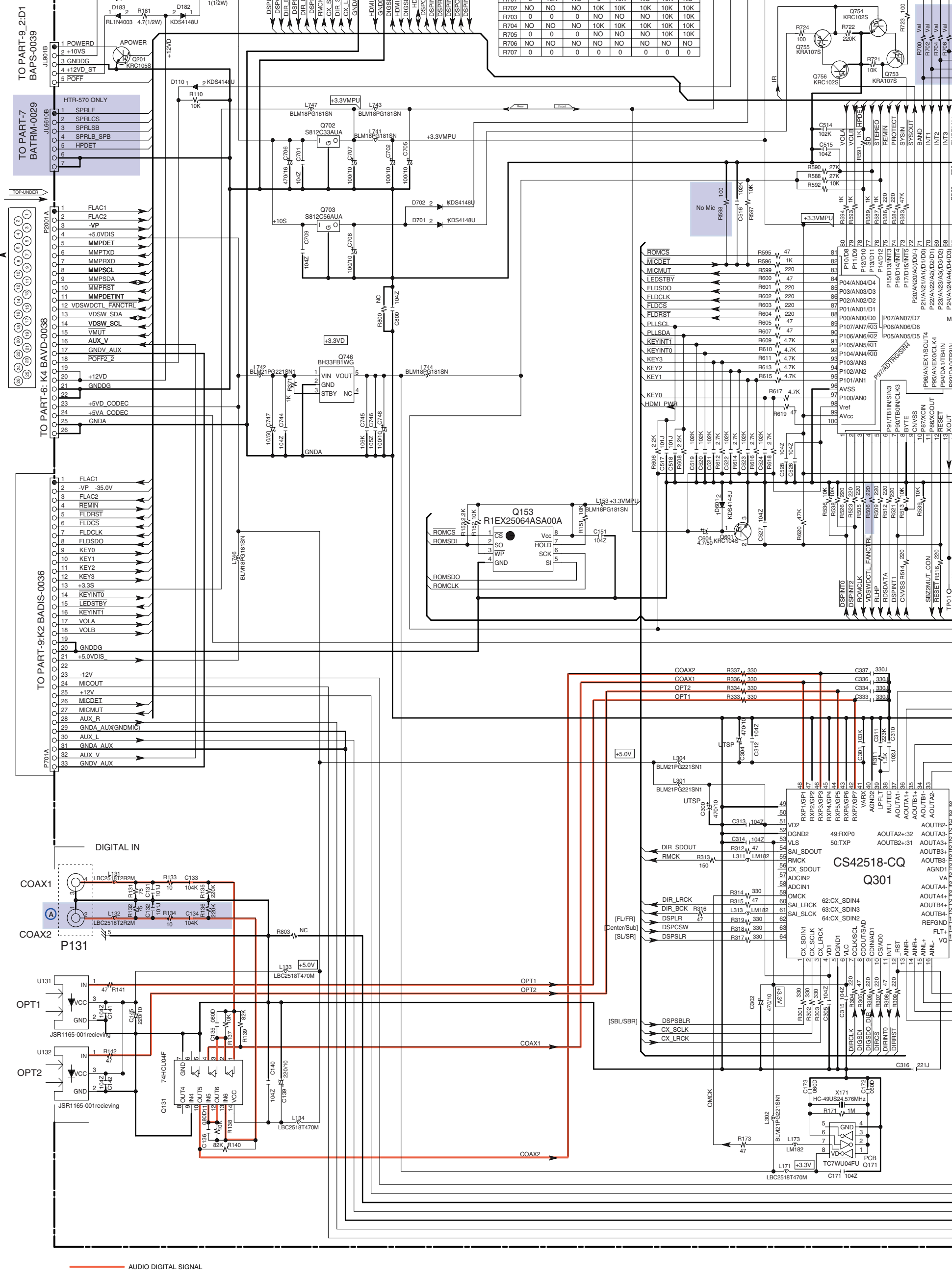
<Note>  
1. NC = No mount of parts.  
2. PART-X : XY is short for Schematic Diagrams-x and each sockets location, X = A to K, Y = 1 to 7.

1  
2  
3  
4  
5  
6  
7  
8

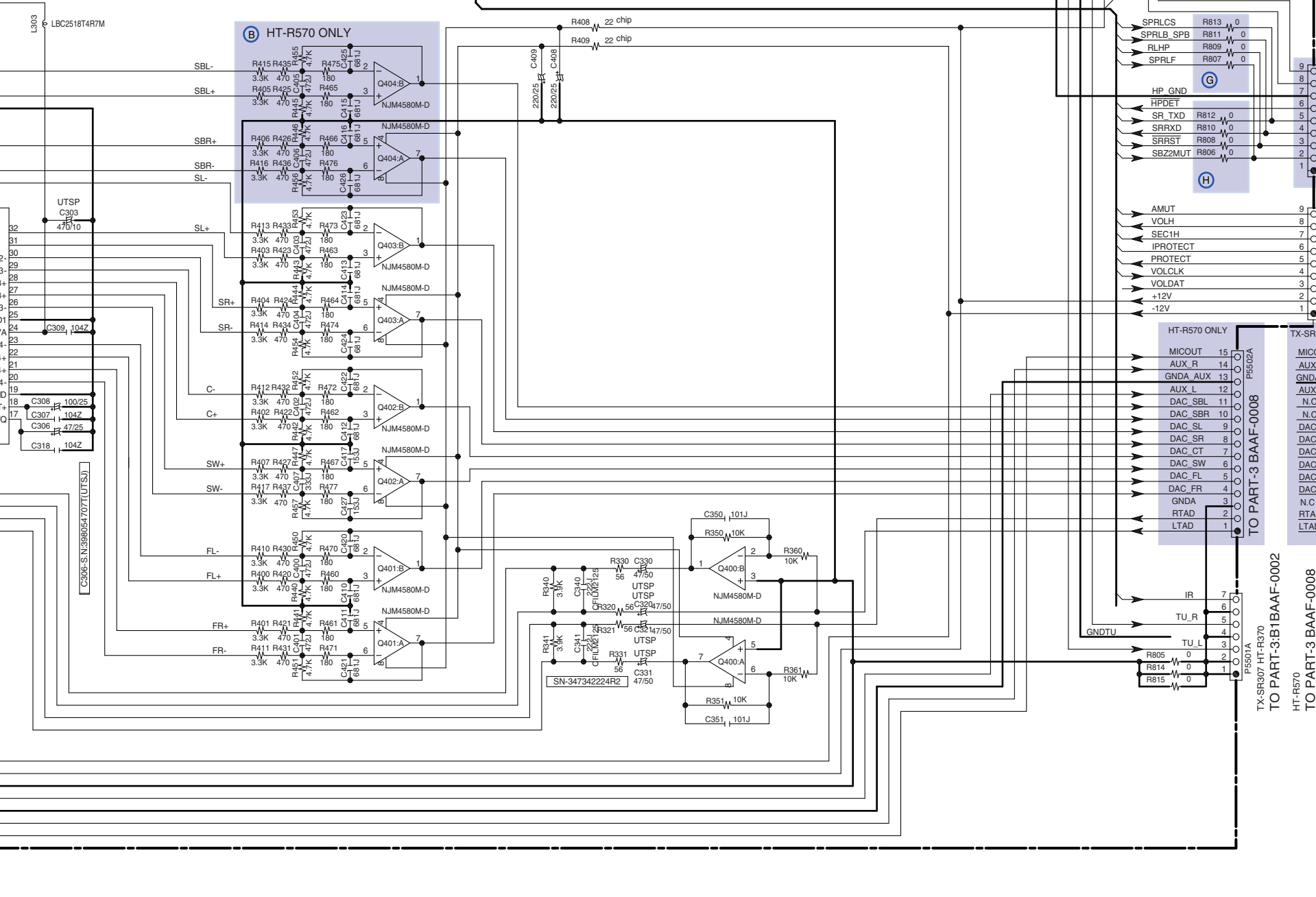
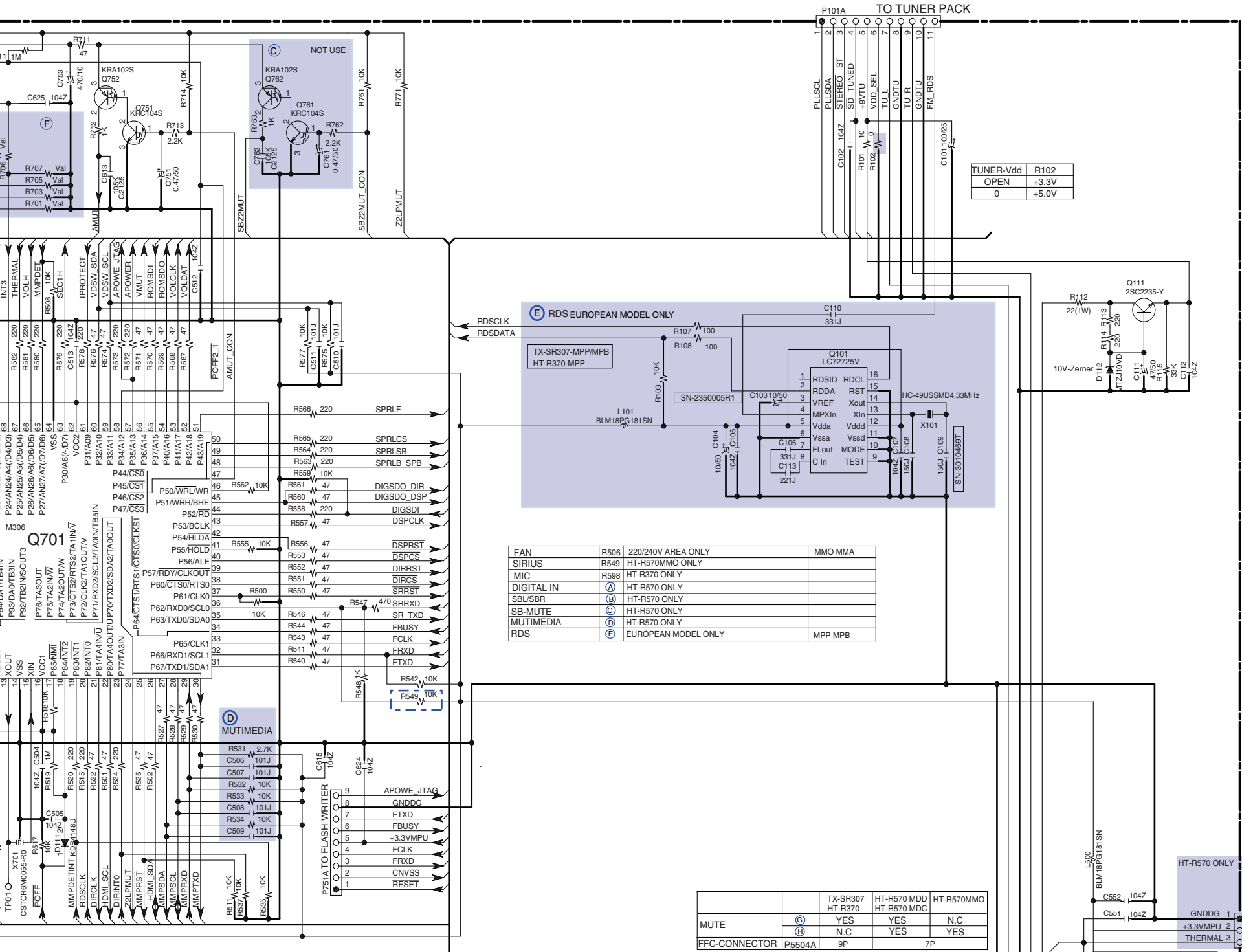


**BCDG-0022 U002**  
**MICOM CODEC PC BOARD**

MDD MDC	TX-SR307			HT-R370			HT-R570		
	MPP	MMO	MMQ	MPP	MMO	MMQ	MDD	MDC	MMO
R700	NO	10K	10K	NO	10K	10K	33K	10K	
R701	0	10K	NO	0	10K	NO	10K	10K	
R702	NO	NO	NO	10K	10K	10K	10K	10K	
R703	0	0	0	NO	NO	NO	10K	10K	
R704	NO	NO	NO	10K	10K	10K	10K	10K	
R705	0	0	0	NO	NO	NO	10K	10K	
R706	NO	NO	NO	NO	NO	NO	NO	NO	
R707	0	0	0	0	0	0	0	0	



AUDIO DIGITAL SIGNAL

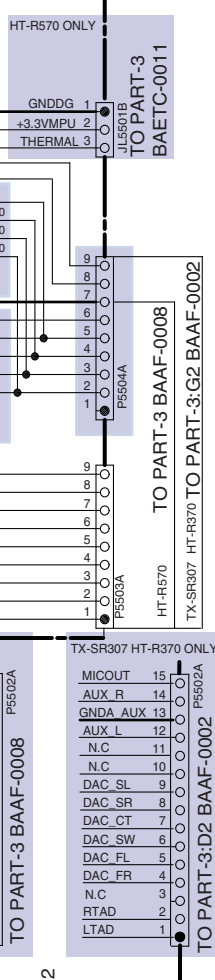


**TUNER-Vdd**

R102	+3.3V
OPEN	+5.0V

FAN	R506	220/240V AREA ONLY	
SIRIUS	R549	HT-R570MMO ONLY	MMO MMA
MIC	R598	HT-R370 ONLY	
DIGITAL IN	(A)	HT-R570 ONLY	
SBL/SBR	(B)	HT-R570 ONLY	
SB-MUTE	(C)	HT-R570 ONLY	
MULTIMEDIA	(D)	HT-R570 ONLY	
RDS	(E)	EUROPEAN MODEL ONLY	MPP MPB

	TX-SR307	HT-R370	HT-R570	HT-R570
	9P	7P	7P	



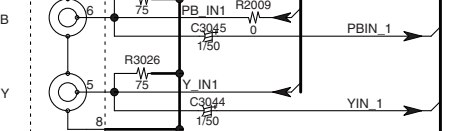
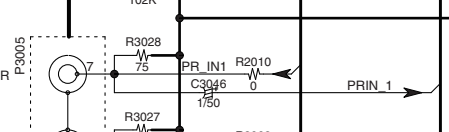
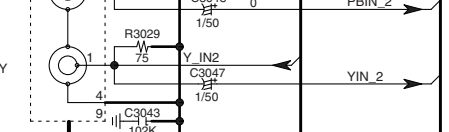
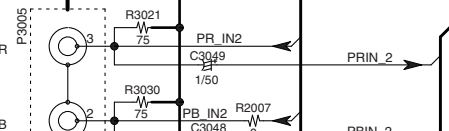
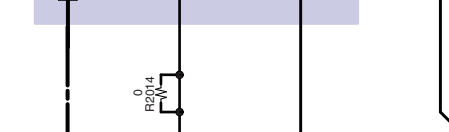
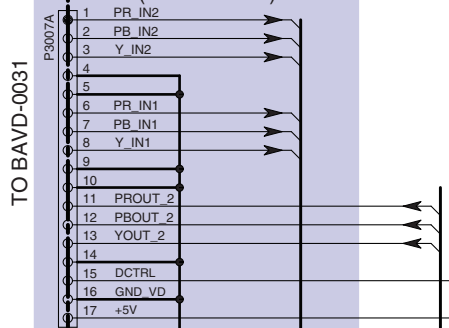
**SCHEMATIC DIAGRAMS-4 (PART-6)**  
**VIDEO SECTION**

<Note>

1. NC = No mount of parts.
2. PART-x : XY is short for Schematic Diagrams-x and each sockets location, X = A to K, Y = 1 to 7.

**BCVD-0038 U0032**  
**VIDEO PC BOARD**

TX-SA507 TX-SA607 ONLY  
(D TREMINAL)



(VCR/DVR)  
COMPONENT  
IN2

(DVD)  
COMPONENT  
IN1

COMPONENT  
OUT

TX-SR607 TX-SA607  
DT-R20.1 DT-R30.1 ONLY

GAME/TV  
(VIDEO3 IN)

CBL/SAT  
(VIDEO2 IN)

VCR/DVR OUT  
(VIDEO1 OUT)

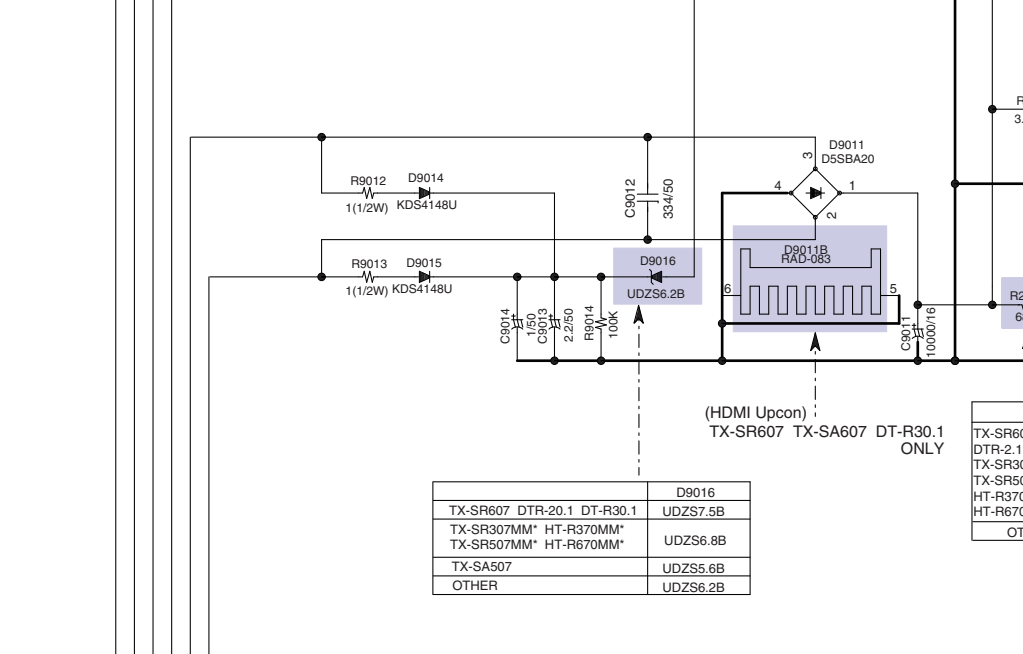
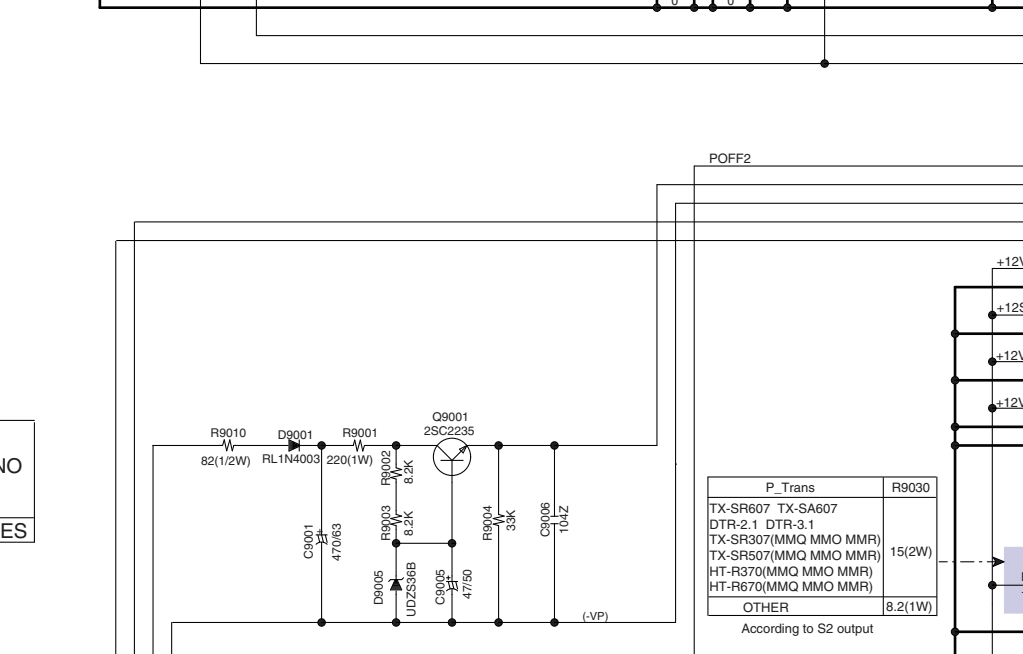
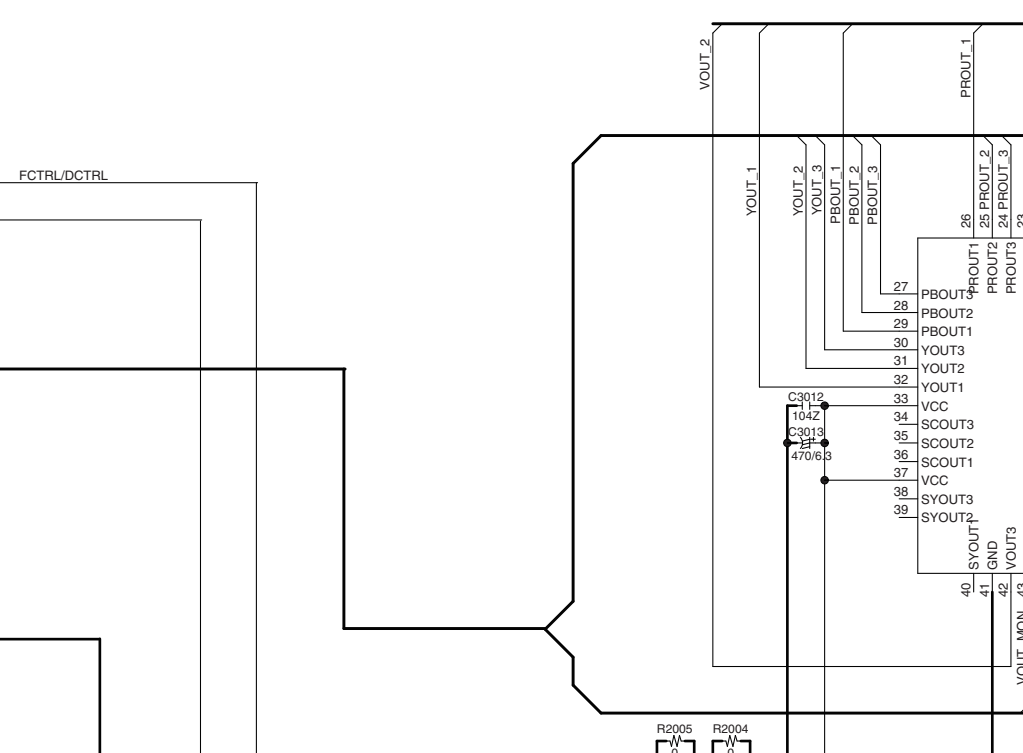
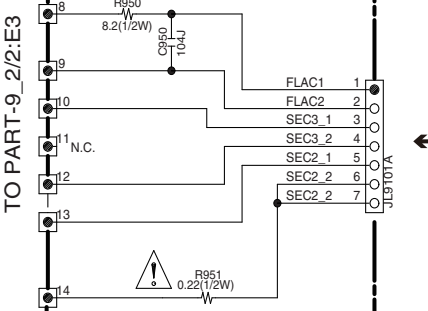
VCR/DVR  
(VIDEO1 IN)

DVD IN

MONITOR  
OUT

C-3088	
TX-SR607	NO
TX-SA607	NO
DT-R20.1	NO
DT-R30.1	NO
OTHER	YES

**BAPS-0003 U0011**  
**POWER TORANS  
PC BOARD**



	D9016
TX-SR607 DTR-20.1 DT-R30.1	UDZS7.5B
TX-SR307MM* HT-R370MM*	UDZS6.8B
TX-SR507MM* HT-R670MM*	UDZS5.6B
TX-SA507	UDZS5.6B
OTHER	UDZS6.2B

(HDMI Upcon)  
TX-SR607 TX-SA607 DT-R30.1  
ONLY

TX-SR607  
DTR-2.1 DT-  
TX-SR307(M  
TX-SR507(M  
HT-R670(M  
OTHER







A

B

C

D

E

# SCHEMATIC DIAGRAMS-7\_2 (PART-9\_2)

<Note> 1. NC = No mount of parts.  
2. PART-x : XY is short for Schematic Diagrams-x and each sockets location, X = A to E, Y = 1 to 4.

## PWOER SUPPLY SECTION

**NOTE**

- THE COMPONENTS IDENTIFIED BY MARK ARE CRITICAL FOR SAFETY. REPLACE ONLY WITH PART NUMBER SPECIFIED.
- VOLTAGE (MEASURED WITH VOLTMETER) IS DC VOLTAGE.(NO INPUT SIGNAL).
- ELECTROLYTIC CAPACITORS ( ) ARE IN uF/WV.
- ALL CAPACITORS ARE IN pF/50VW UNLESS OTHERWISE NOTED.  
EX) 030- 3pF 330- 33pF 331- 330pF 333- 0.033uF
- CIRCUIT IS SUBJECT TO CHANGE FOR IMPROVEMENT.

**CAUTION**

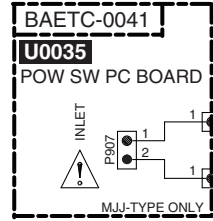
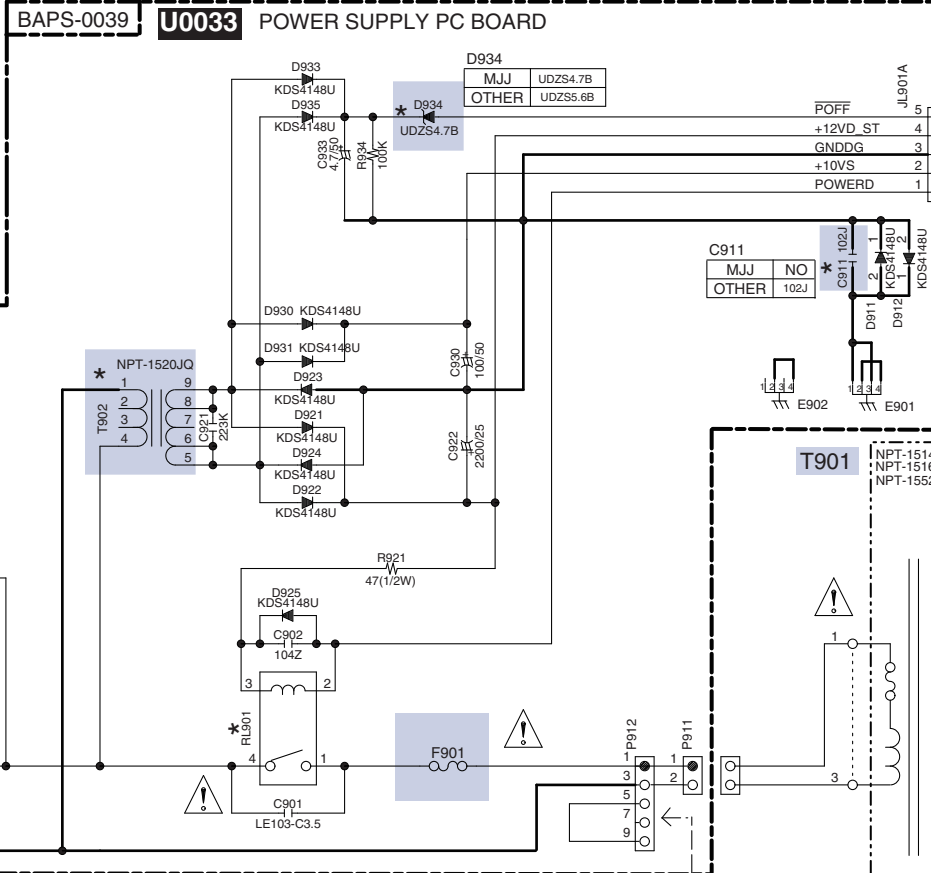


FOR CONTINUED PROTECTION AGAINST FIRE HAZARD, REPLACE ONLY WITH FUSE OF SAME TYPE AND RATING INDICATED.

**ATTENTION**



AFIN D'ASSURER UNE PROTECTION PERMANENTE CONTRE LES RISQUES D'INCENDIE, REMPLACER UNIQUEMENT PAR UN FUSIBLE DE MEME TYPE ET CALIBRATION COMME INDIQUE.



TYPE	AC
MDD MDC MDF	120V / 60HZ
MPR MPB MPA	230-240V / 50HZ
MMO MMR MMQ	100V / 50/60HZ
MJJ	---

T902	TYPE	TX-SR307 / 507 /577 / 607 HT-R370 / 670	HT-570	TX-SA507 / 607
MDD MDC MDF		NPT-1520JQ	NPT-1520JQ	---
MPR MPB MPA		NPT-1520GQ	---	---
MMO MMR MMQ		---	---	NPT-1520JQ
MJJ		---	---	---

F901	TYPE	TX-SR307 / 507 /577 / 607 HT-R370 / 670	HT-570	TX-SA507 / 607
MDD MDC MDF		8A 125V	8A 125V	---
MPR MPB MPA		T4AL250V	---	---
MMO MMR MMQ		---	---	---
MJJ		---	---	12A 125V

T901	TYPE	TX-SR307 HT-R370	TX-SR507 / TX-SR577 / TX-SA507 HT-R570 / HT-R670	TX-SR607 TX-SA607
MDD MDC MDF		NPT-1514D	NPT-1516D	NPT-1552D
MPA		NPT-1514DQ	NPT-1516DQ	NPT-1552DQ
MPB MPP		NPT-1514P	NPT-1516P	NPT-1552P
MJJ		---	NPT-1516J	NPT-1552J



THIS SYMBOL LOCATED NEAR THE FUSE INDICATES THAT THE FUSE USED IS SLOW OPERATING TYPE FOR CONTINUED PROTECTION AGAINST FIRE FUSE HAZARD,REPLACE WITH SAME TYPE FUSE. FOR FUSE RATING REFER TO THE MAKING ADJACENT TO THE SYMBOL.



CE SYMBOLE INDIQUE QUE LE FUSIBLE UTILISE EST A LENT, E POUR UNE PROTECTION PERMANENTE.NUTILISER QUE DES FUSIBLES DE MEME TYPE. CE DARNIER EST INDIQUE LA QU LE PRESENT SYMBOLE EST APPOSE.

TO PART-5:A2 BADG-0022

TO PART-6:A8 BAPS-0003

TO PART-4:-A8 BAPS-0004

1

2

3

4

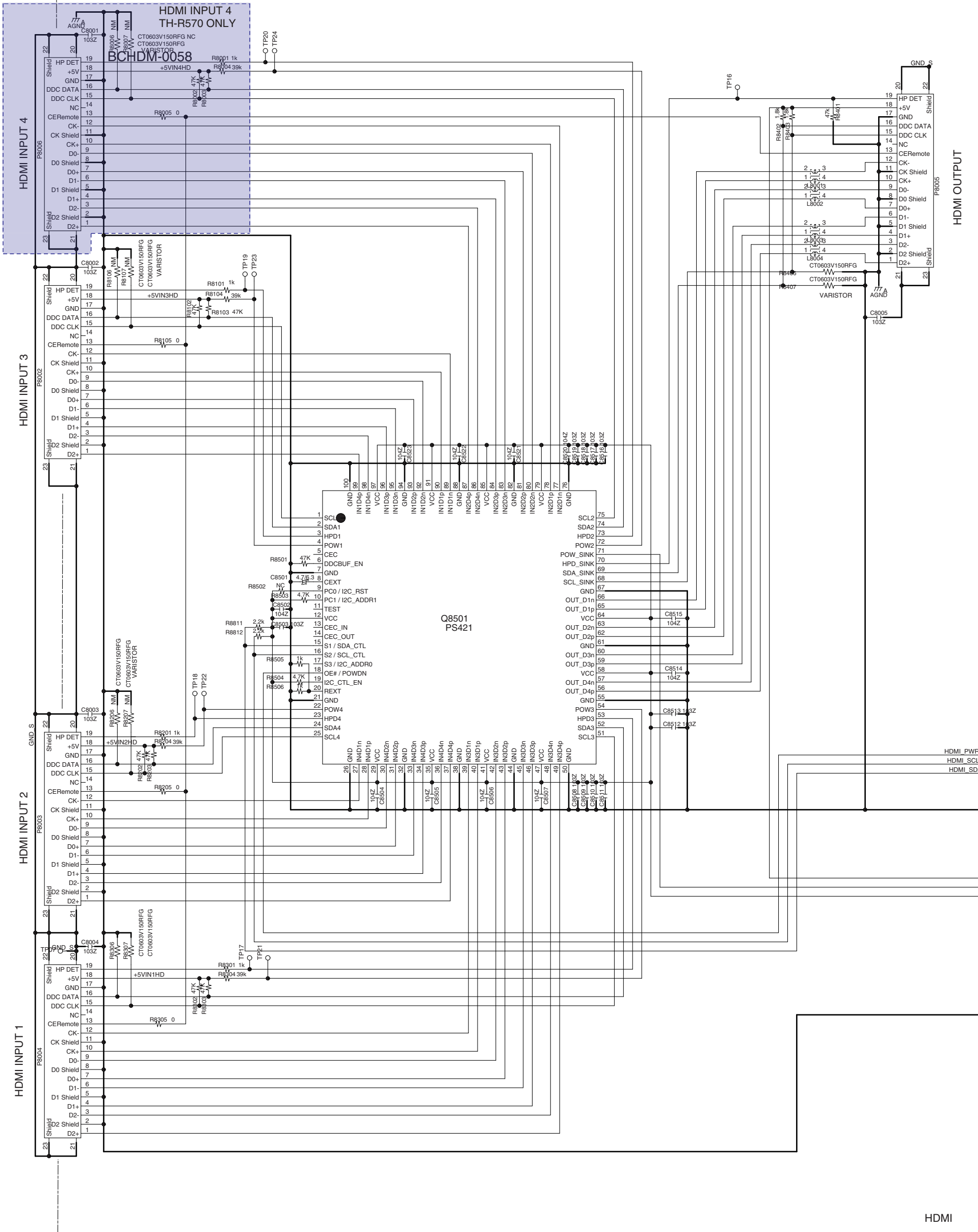
# SCHEMATIC DIAGRAMS-8 (PART-10)

## HDMI DSP SECTION

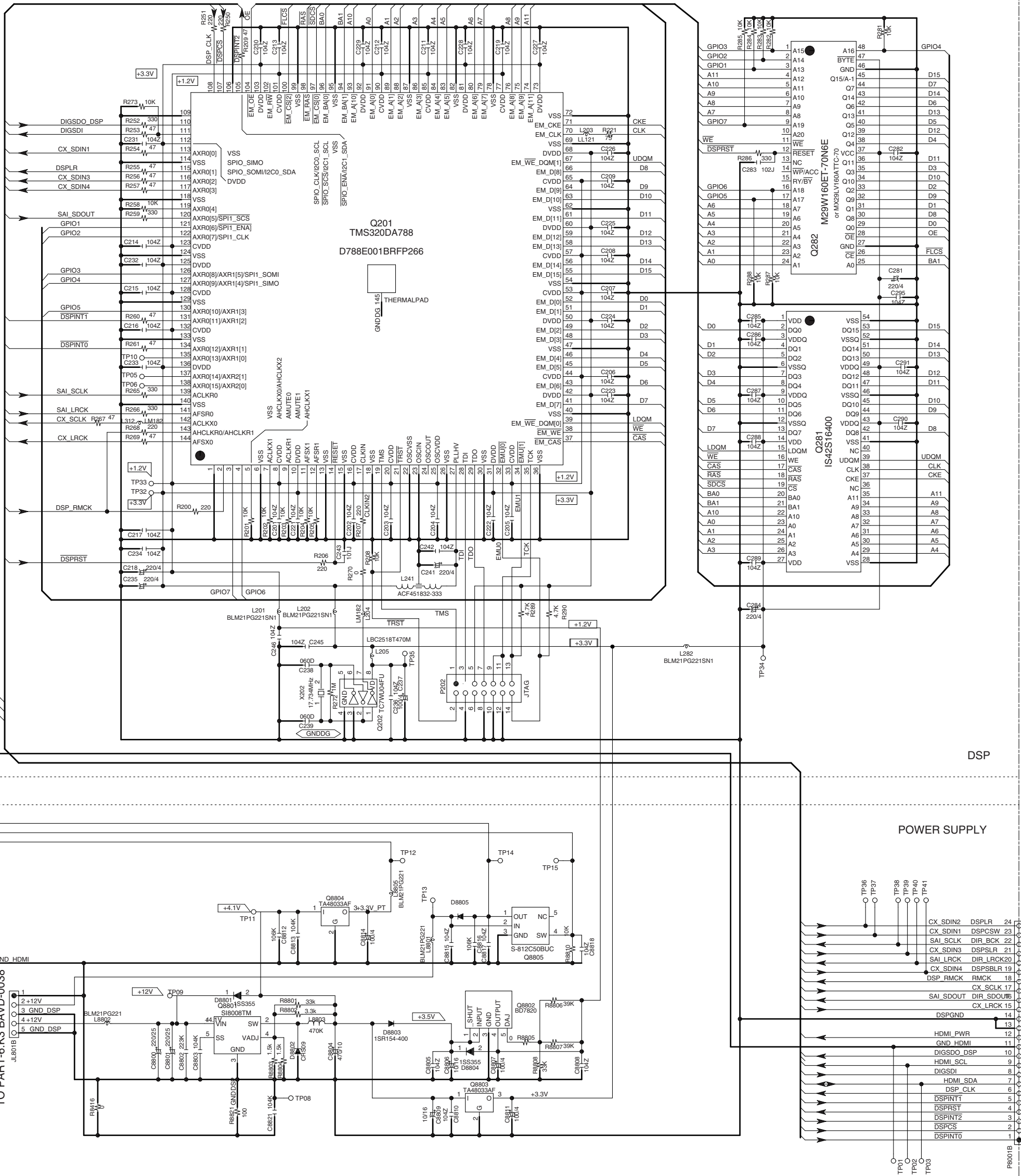
<Note>

- 1. NC = No mount of parts.
- 2. PART-x : XY is short for Schematic Diagrams-x and each sockets location, X = A to K, Y = 1 to 7.

BCHDM-0058 U004  
HDMI DSP PC BOARD



HDMI





PRINTED CIRCUIT BOARD VIEWS-2  
AMPLIFIER SECTION

**U001** AMPLIFIER PC BOARD (BAAF-0002) Soldering side

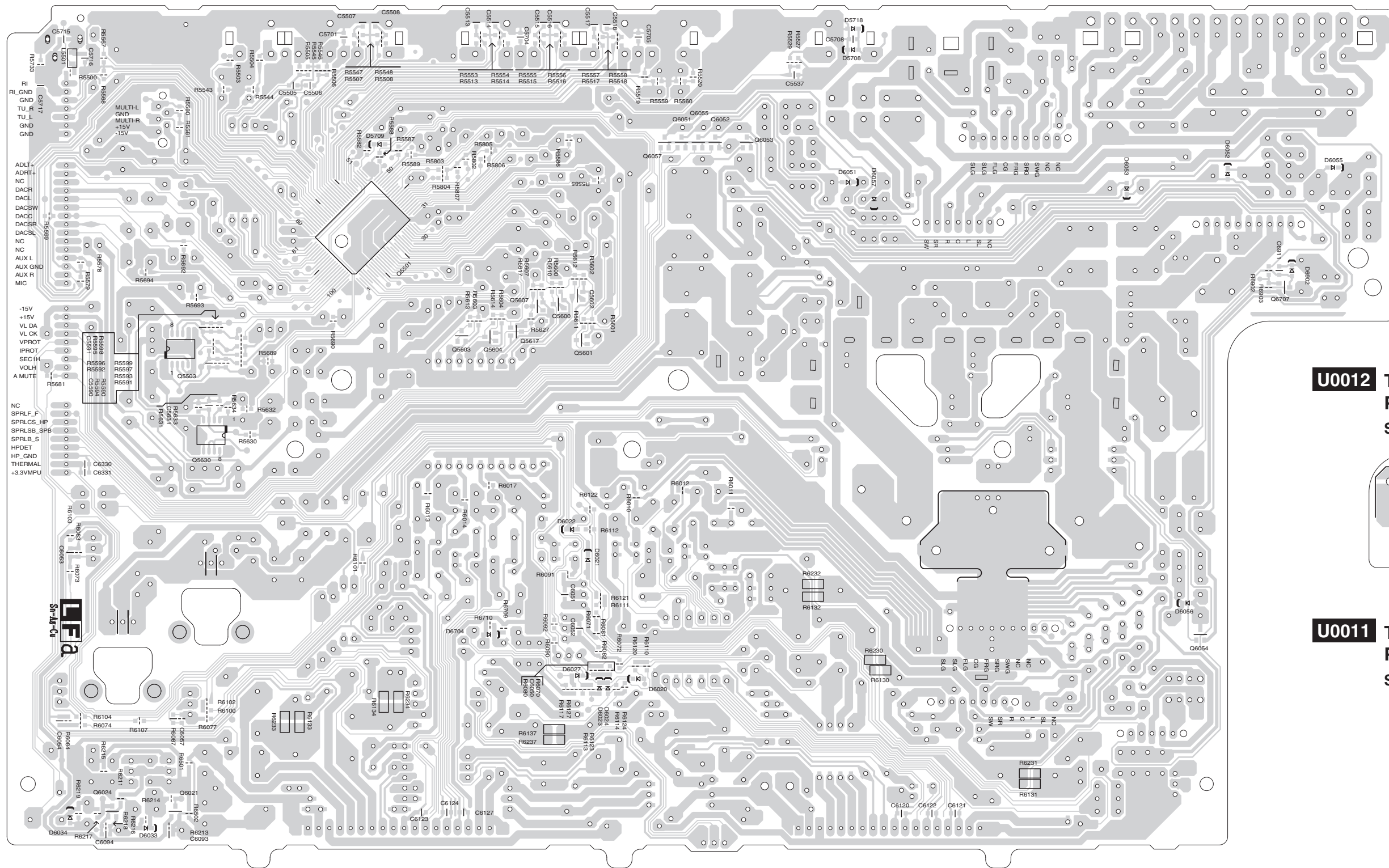
1

2

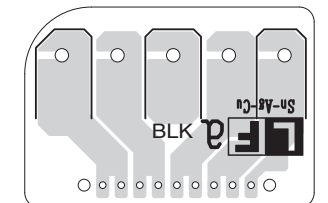
3

4

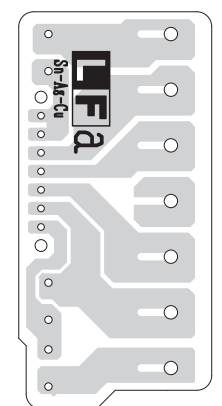
5



**U0012** TRANS. SEC. TERMINAL PC BOARD (BAPS-0004) Soldering side



**U0011** TRANS. SEC. TERMINAL PC BOARD (BAPS-0003) Soldering side



A B C D E F G H

PRINTED CIRCUIT BOARD VIEWS-3

**U002** MICROPROCESSOR/CODEC PC BOARD (BADG-0022)

Side-A

**U0021** UNIVERSAL PORT PC BOARD (BAETC-0023) HT-R570 Only

Side-A

**U0021** UNIVERSAL PORT PC BOARD (BAETC-0023) HT-R570 Only

Side-B

**U002** MICROPROCESSOR/CODEC PC BOARD (BADG-0022)

Side-B

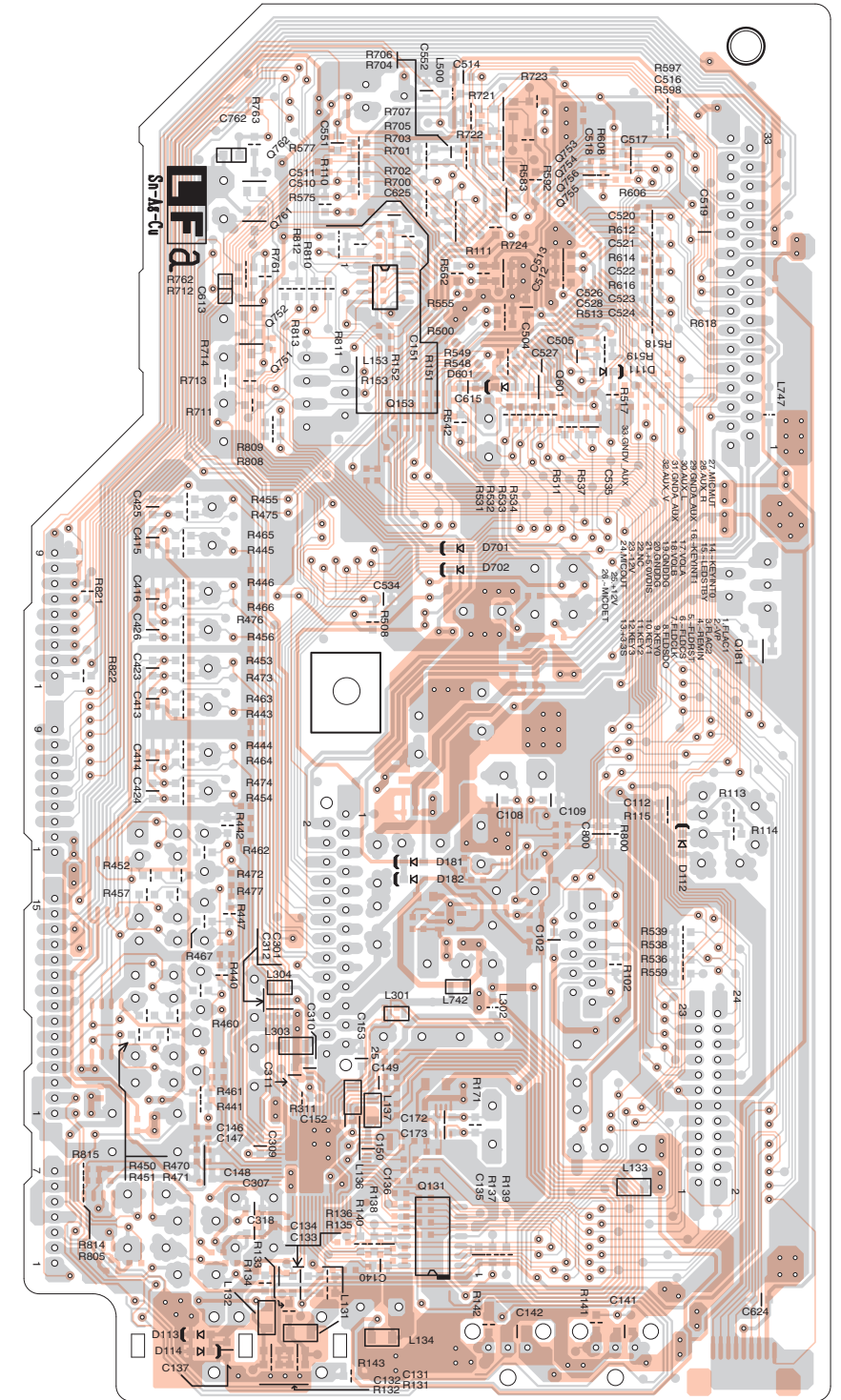
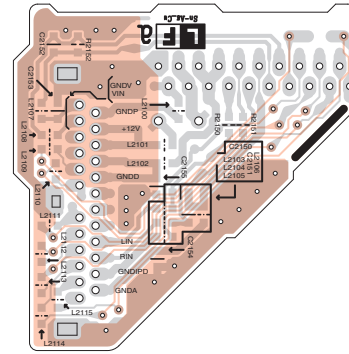
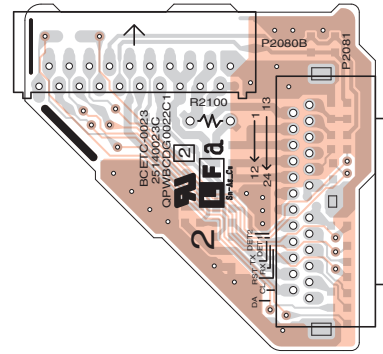
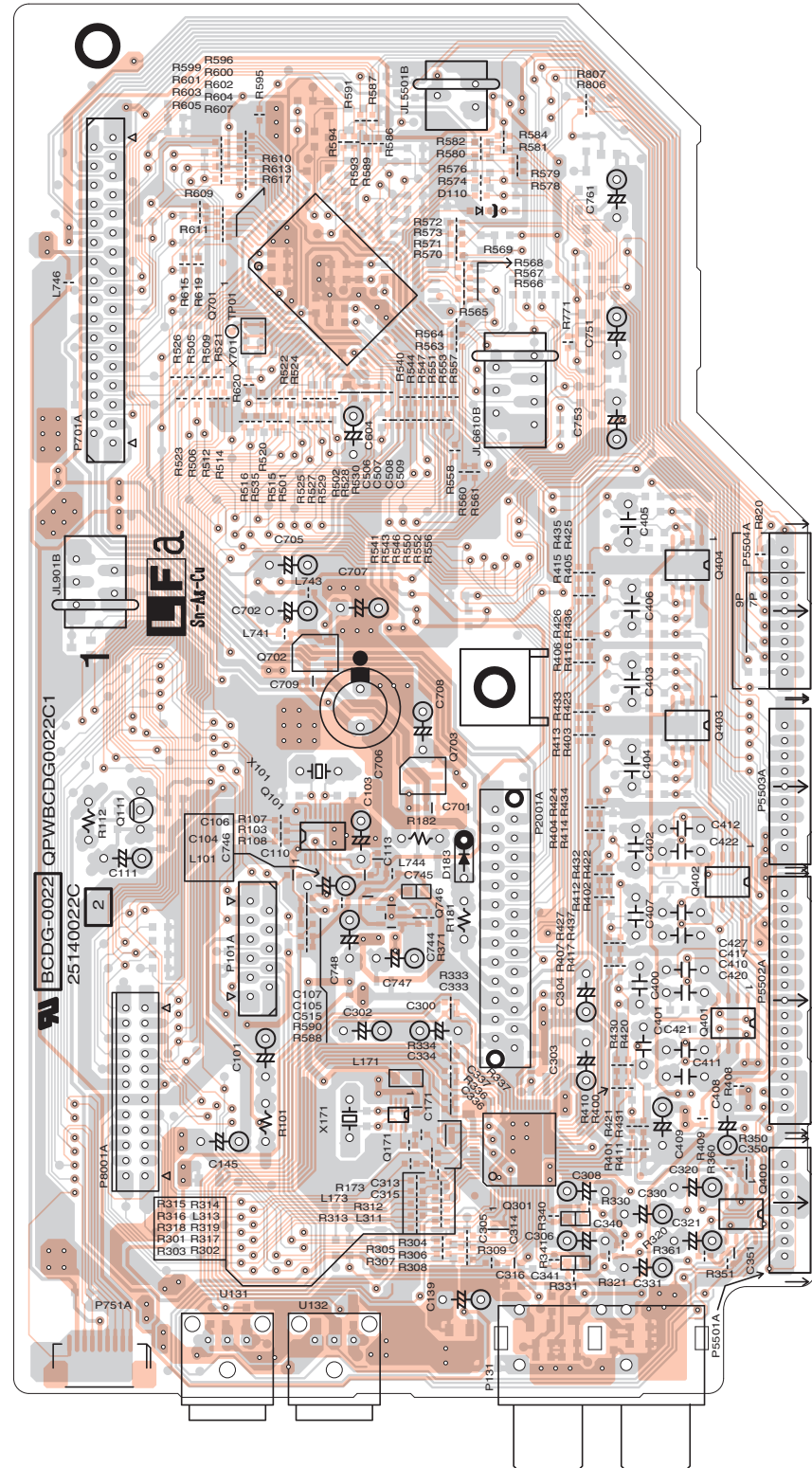
1

2

3

4

5







A

B

C

D

E

F

G

H

PRINTED CIRCUIT BOARD VIEWS-6

**U004** HDMI PC BOARD (BAHDM-0058)

Side-A

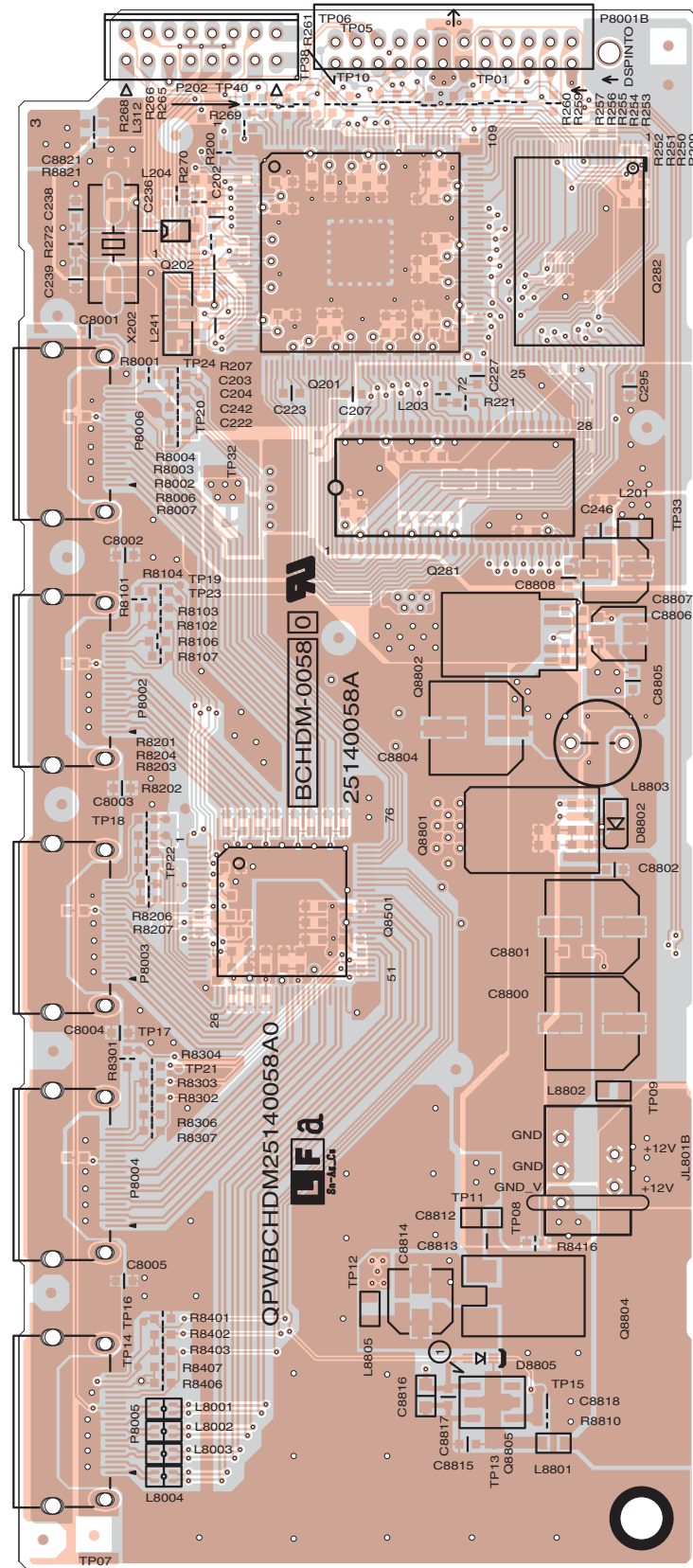
1

2

3

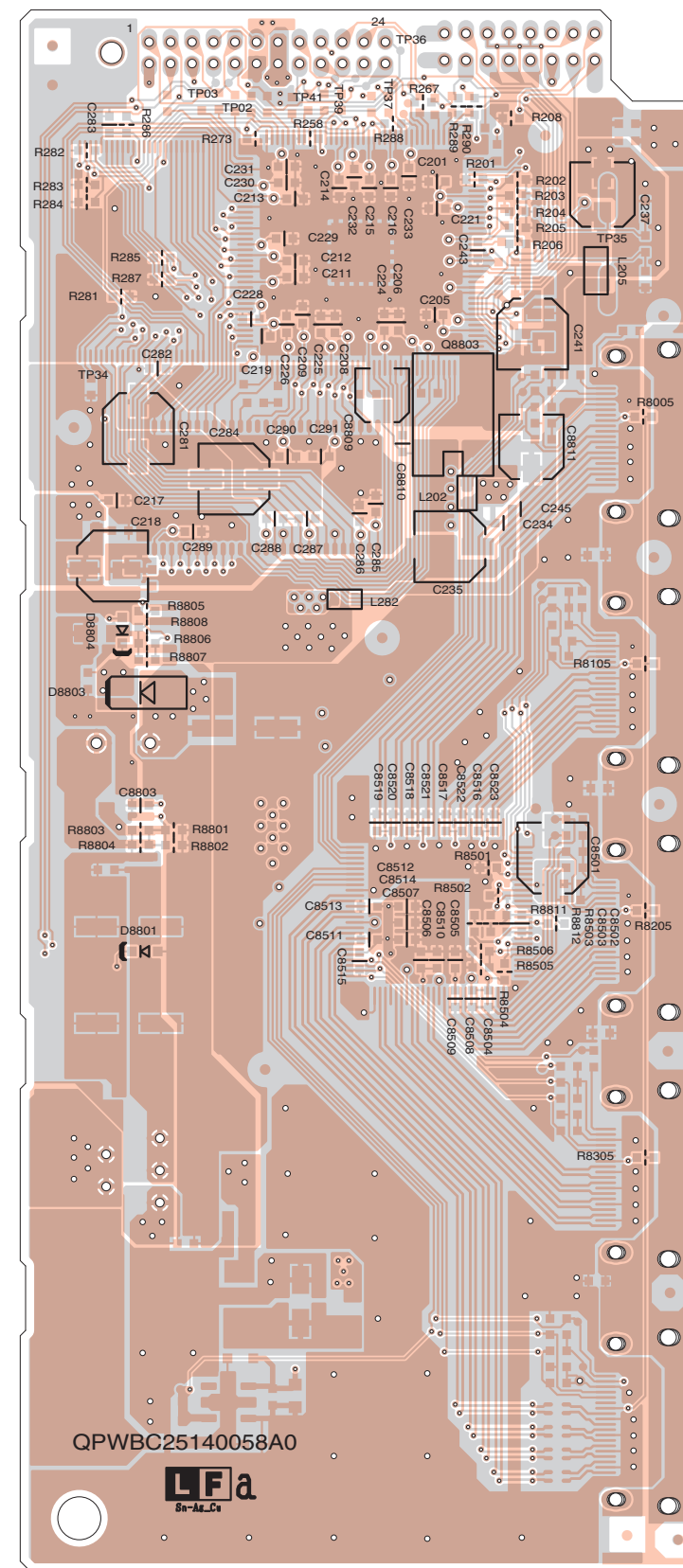
4

5



**U004** HDMI PC BOARD (BAHDM-0058)

Side-B



**HT-R370**

**<Note>**

Parts marked by "NSP" are generally unavailable because they are not in our Master Spare Parts List.

**<Notes>**

**<B> : Black model**

**<S> : Silver model**

**<DC> : 120V,Canadian model**

**<DD> : 120V,USA model**

**<MO> : 220/230-240V,Saudi Arabian model**

**<PP> : 230V,CE(European) country model**

**EXPLODED VIEW PARTS LIST**

	REF. NO.	PART NAME	DESCRIPTION	Q'TY	PART NO. (SN)	REMARKS
	<b>[TUNER UNIT]</b>					
EXPLODED	U001	AF-AS AMPLIFIER PC BOARD	BAAF-0002-1E	1	1B232502-1E	N <BPP>
EXPLODED	U001	AF-AS AMPLIFIER PC BOARD	BAAF-0002-1D	1	1B232502-1D	N <BDC, BDD>
EXPLODED	U001	AF-AS AMPLIFIER PC BOARD	BAAF-0002-1F	1	1B232502-1F	N <BMO, SMO>
EXPLODED	U0011	TRANS.SEL.TERMINAL PC BOARD	BAAF-0003-1E	{ 1 }	1B232503-1E	N NSP included in "AF-AS" <BPP>
EXPLODED	U0011	TRANS.SEL.TERMINAL PC BOARD	BAAF-0003-1D	{ 1 }	1B232503-1D	N NSP included in "AF-AS" <BDC, BDD>
EXPLODED	U0011	TRANS.SEL.TERMINAL PC BOARD	BAAF-0003-1F	{ 1 }	1B232503-1F	N NSP included in "AF-AS" <BMO, SMO>
EXPLODED	U0012	TRANS.SEL.TERMINAL PC BOARD	BAAF-0004-1E	{ 1 }	1B232504-1E	N NSP included in "AF-AS" <BPP>
EXPLODED	U0012	TRANS.SEL.TERMINAL PC BOARD	BAAF-0004-1D	{ 1 }	1B232504-1D	N NSP included in "AF-AS" <BDC, BDD>
EXPLODED	U0012	TRANS.SEL.TERMINAL PC BOARD	BAAF-0004-1F	{ 1 }	1B232504-1F	N NSP included in "AF-AS" <BMO, SMO>
EXPLODED	U0013	ETC PC BOARD	BAAF-0007-1E	{ 1 }	1B232507-1E	N NSP included in "AF-AS" <BPP>
EXPLODED	U0013	ETC PC BOARD	BAAF-0007-1D	{ 1 }	1B232507-1D	N NSP included in "AF-AS" <BDC, BDD>
EXPLODED	U0013	ETC PC BOARD	BAAF-0007-1F	{ 1 }	1B232507-1F	N NSP included in "AF-AS" <BMO, SMO>
EXPLODED	U002	DG-AS CPU/CODEC PC BOARD	BADG-0022-1F	1	1B232522-1F	N <BPP> Order please do at 2 units
EXPLODED	U002	DG-AS CPU/CODEC PC BOARD	BADG-0022-1E	1	1B232522-1E	N <BDC, BDD> Order please do at 2 units
EXPLODED	U002	DG-AS CPU/CODEC PC BOARD	BADG-0022-1G	1	1B232522-1G	N <BMO, SMO> Order please do at 2 units
EXPLODED	U003	DIS-AS DISPLAY PC BOARD	BADIS-0036-1E	1	1B232536-1E	N <BPP>
EXPLODED	U003	DIS-AS DISPLAY PC BOARD	BADIS-0036-1D	1	1B232536-1D	N <BDC, BDD>
EXPLODED	U003	DIS-AS DISPLAY PC BOARD	BADIS-0036-1F	1	1B232536-1F	N <BMO, SMO>
EXPLODED	U0031	DISPLAY PC BOARD	BCDIS-0037-1E	{ 1 }	1B232537-1E	N <BPP>
EXPLODED	U0031	DISPLAY PC BOARD	BCDIS-0037-1D	{ 1 }	1B232537-1D	N NSP included in "AF-AS" <BDC,

EXPLODED	U0031	DISPLAY PC BOARD	BCDIS-0037-1F	{ 1 }	1B232537-1F	N	NSP included in "AF-AS" <BMO,
EXPLODED	U0032	VIDEO PC BOARD	BCVD-0038-1E	{ 1 }	1B232538-1E	N	NSP included in "AF-AS" <BPP>
EXPLODED	U0032	VIDEO PC BOARD	BCVD-0038-1D	{ 1 }	1B232538-1D	N	NSP included in "AF-AS" <BDC,
EXPLODED	U0032	VIDEO PC BOARD	BCVD-0038-1F	{ 1 }	1B232538-1F	N	NSP included in "AF-AS" <BMO,
EXPLODED	U0033	POWER SUPPLY PC BOARD	BCPS-0039-1E	{ 1 }	1B232539-1E	N	NSP included in "AF-AS" <BPP>
EXPLODED	U0033	POWER SUPPLY PC BOARD	BCPS-0039-1D	{ 1 }	1B232539-1D	N	NSP included in "AF-AS" <BDC,
EXPLODED	U0033	POWER SUPPLY PC BOARD	BCPS-0039-1F	{ 1 }	1B232539-1F	N	NSP included in "AF-AS" <BMO,
EXPLODED	U0034	HP JACK PC BOARD	BCETC-0040-1E	{ 1 }	1B232540-1E	N	NSP included in "AF-AS" <BPP>
EXPLODED	U0034	HP JACK PC BOARD	BCETC-0040-1D	{ 1 }	1B232540-1D	N	NSP included in "AF-AS" <BDC,
EXPLODED	U0034	HP JACK PC BOARD	BCETC-0040-1F	{ 1 }	1B232540-1F	N	NSP included in "AF-AS" <BMO,
EXPLODED	U004	HDM-AS	BAHDM-0058-1A	1	1B232558-1A		Order please do at 4 units
EXPLODED	U010	TUNER UNIT	FAEH06-E01EX	1	240165		<BMO, BPP, SMO>
EXPLODED	U010	TUNER UNIT	FAEH06-A01US	1	240166		<BDC, BDD>
	<b>[TRANS COIL]</b>						
EXPLODED	T901	P TRANS	NPT-1514D	1	2301793		<BDC, BDD>
EXPLODED	T901	P TRANS	NPT-1514P	1	2301794		<BPP>
EXPLODED	T901	P TRANS	NPT-1516DQ	1	2301801		<BMO, SMO>
	<b>[SW TRM]</b>						
EXPLODED	F6901	FUSE	8A-T/UL-ST2	1	252261GR		<BDC, BDD, BPP>
EXPLODED	F6901	FUSE	10A-UL/T-233	1	252330GR		<BMO, SMO>
EXPLODED	F6901 or	FUSE	10A-T/UL-ST2	( 1 )	252333GR		<BMO, SMO>
EXPLODED	F6901C	FUSELABEL	10A/125V	1	29362241		<BMO, SMO>
EXPLODED	F6902	FUSE	8A-T/UL-ST2	1	252261GR		<BDC, BDD, BPP>
EXPLODED	F6902	FUSE	10A-UL/T-233	1	252330GR		<BMO, SMO>
EXPLODED	F6902 or	FUSE	10A-T/UL-ST2	( 1 )	252333GR		<BMO, SMO>
EXPLODED	F901	FUSE	4A-SE-EAK FUSE	1	252077GR		<BMO, BPP, SMO>
EXPLODED	F901	FUSE	8A-UL/T-233	1	252329GR		<BDC, BDD>
EXPLODED	F901 or	FUSE	8A-T/UL-ST2	( 1 )	252261GR		<BDC, BDD>
EXPLODED	F901 or	FUSE	4A-SE-TL250V	( 1 )	252277GR		<BMO, BPP, SMO>
EXPLODED	P101	FFC	NCFC7-111512	1	2047111512		<BDC, BDD, BPP>
EXPLODED	P101	FFC	NCFC7-112012	1	2047112012		<BMO, SMO>
EXPLODED	P6601A	P RIVET	JB-407A-C	4	880052		<BMO, BPP, SMO>
EXPLODED	P701	FFC	NCFC7-332012	1	2047332012		<B, S>
EXPLODED	P901	AC CORD	AS-CEE-2	1	253306VOL		<BMO, BPP, SMO>

EXPLODED	P901	AC CORD	AS-UC-2	1	253368AYUN	<BDC, BDD>
EXPLODED	P901 or	AC CORD	AS-UC-2	( 1)	253368BLTK	<BDC, BDD>
EXPLODED	P901 or	AC CORD	AS-CEE-2	( 1)	253374YUN	<BMO, BPP, SMO>
	<b>[CHASSIS SCREW]</b>					
EXPLODED	A001	CHASSIS	TX-SR307	1	27100532B	N
EXPLODED	A003	BOTTOM LEG	---	4	27175432C	
EXPLODED	A005	CUSHION	---	4	28141664	
EXPLODED	A007	SCREW	3TTB+8B(3CM)SR	4	801637	
EXPLODED	A009	HOLDER	KGLS-8RT	3	27190503A	
EXPLODED	A010	HOLDER	KGPS-8RF	1	27191044	
EXPLODED	A011	HOLDER	KGLS-10RT	1	27190428A	
EXPLODED	A013	HOLDER	KGPS-14RF	2	27190802	
EXPLODED	A015	HOLDER	KGPS-14RF	1	27190802	
EXPLODED	A019	HOLDER	KGPS-16RF	1	27190991	
EXPLODED	A021	HOLDER	KGLS-22S	2	27190369	
EXPLODED	A025	SCREW	4TTC+8C(3BC)	4	830440089GR	
EXPLODED	A030	HEAT SINK	307P-2	1	27160632A	
EXPLODED	A032	RETAINER	(HL)	1	27142159	N
EXPLODED	A034	RETAINER	(HR)	1	27142139A	N
EXPLODED	A036	SCREW	3TTB+8B(3CM)SR	5	801637	NSP
EXPLODED	A038	SCREW	3TTB+8B(3CM)SR	2	801637	NSP
EXPLODED	A040	SCREW	3TTB+8B(3CM)SR	4	801637	NSP
EXPLODED	A041	CLIP	CS-1U	1	27255004	
EXPLODED	A042	SCREW	3TTB+8B(3CM)SR	2	801637	NSP
EXPLODED	A044	HOLDER	KGLS-8RT	1	27190503A	
EXPLODED	A050	SCREW	3SMS8WSW+18B3CM	4	801636	NSP
EXPLODED	A056	BUSHING	S-RELIEF #2271	1	27300750	
EXPLODED	A060	WIRE TIE	BINDER(CLAMPER)UL	3	260258	
EXPLODED	A062	WIRE TIE	BSK-1	3	260208	
EXPLODED	A069	SCREW	3TTB+8B(3BC)	1	838430088GR	
EXPLODED	A070	LABEL	(SP)307	1	29390688A	
EXPLODED	A101	REAR PANEL	370PP	1	27124069	N <BPP>
EXPLODED	A101	REAR PANEL	370DD	1	27123973B	N <BDC, BDD>
EXPLODED	A101	REAR PANEL	370MO	1	27123974B	N <BMO, SMO>
EXPLODED	A102	CUSHION	---	2	28141799	N
EXPLODED	A103	SCREW	3P+6FN(3BC)	4	82143006GR	NSP
EXPLODED	A105	SCREW	3TTB+8B(3BC)	24	838430088GR	NSP
	<b>[CABINET]</b>					

EXPLODED	A201	F PANEL	370(B)PP	1	27213307	N	<BPP>
EXPLODED	A201	F PANEL	370(B)DD	1	27213203C	N	<BDC, BDD, BMO>
EXPLODED	A201	F PANEL	370(S)DF	1	27213204C	N	<SMO>
EXPLODED	A202	CLEAR PLT	(AS)307D	1	28192260		
EXPLODED	A207	BADGE	BADGE	1	28135244		<B>
EXPLODED	A207	BADGE	---	1	28135298		<S>
EXPLODED	A213	KNOB	(INP)	1	28326666		<B>
EXPLODED	A213	KNOB	(INP)	1	28326667		<S>
EXPLODED	A215	KNOB	(SEL)	1	28326665		
EXPLODED	A217	KNOB	(STNBY)	1	28326663		
EXPLODED	A219	KNOB	(CUR)	1	28326664A	N	
EXPLODED	A221	IB CUSHION	W15*3t TAPE	1	28141585		
EXPLODED	A225	SCREW	2.6TTB+8B(3BC)	27	838426088GR		
EXPLODED	A230	RETAINER	(U)	1	27142135A	N	
EXPLODED	A232	SCREW	2.6TTB+8B(3BC)	5	838426088GR		
EXPLODED	A234	RETAINER	(L)	1	27142133A	N	
EXPLODED	A236	RETAINER	(R)	1	27142134A	N	
EXPLODED	A238	SCREW	2.6TTB+8B(3BC)	4	838426088GR		
EXPLODED	A250	B PLATE	---	1	28133425		<B>
EXPLODED	A250	B PLATE	---	1	28133426		<S>
EXPLODED	A254	WIRE TIE	BSK-1	8	260208		
EXPLODED	A256	SCREW	3TTB+8B(3CM)SR	1	801637		
EXPLODED	A258	SCREW	3TTB+8B(3CM)SR	4	801637		
EXPLODED	A260	SCREW	3TTB+8B(3BC)	3	838430088GR		
EXPLODED	A262	TAPE	TAPE(CLOTH-16U)	1	29110083		
EXPLODED	A264	CUSHION	---	3	28141681		
EXPLODED	A330	KNOB	(VOL) BLACK	1	28326514		<B>
EXPLODED	A330	KNOB	(VOL)N(S)	1	28326669		<S>
EXPLODED	A340	COVER	(B) (Bent)	1	28210031		<B>
EXPLODED	A340	COVER	(S) (Bent)	1	28210032		<S>
EXPLODED	A340	COVER	(B) (Not Bent)	1	28210031Z		<B>
EXPLODED	A340	COVER	(S) (Not Bent)	1	28210032Z		<S>
EXPLODED	A342	SCREW	3TTB+8B(3BC)	7	838430088GR		<B>
EXPLODED	A344	SCREW	3TTB+8B(3CM)SR	7	801637		<S>
EXPLODED	A350	PLATE	(COVER)	1	27262834A		<BMO>
EXPLODED	A350	PLATE	(COVER)	1	27262835A		<SMO>
EXPLODED	A354	HOLDER	(PLATE)	8	27191337		<BMO>
EXPLODED	A354	HOLDER	(PLATE)	8	27191333A		<SMO>

EXPLODED	A360	LABEL	(COVER)	1	29390767	N	
EXPLODED	A362	LABEL	HOOKUP-ONKYO	1	29363194		<BDC, BDD>

**HT-R370**

**PC BOARD PARTS LIST**

- U001** AMPLIFIER PC BOARD (BAAF-0002-1D/1E/1F)
- U0011** TRANS.SEL.TERMINAL PC BOARD (BAPS-0003-1D/1E/1F)
- U0012** TRANS.SEL.TERMINAL PC BOARD (BAPS-0004-1D/1E/1F)
- U0013** ETC PC BOARD (BAETC-0007-1D/1E/1F)

	CIRCUIT. NO	PART NAME	DESCRIPTION	Q'TY	PART NO. (SN)	REMARKS
	<b>[SEMI CONDUCTOR]</b>					
PCB-1	D5671	ZENER D	MTZJ6.2B	1	224470622T	
PCB-1	D5672	ZENER D	MTZJ6.2B	1	224470622T	
PCB-1	D5673	DIODE	1SS133	1	223163T	
PCB-1	D5674	DIODE	1SS133	1	223163T	
PCB-1	D5800	DIODE	RL1N4003	1	22380260T	
PCB-1	D5800 or	DIODE	GP104003E	( 1)	22380035T	
PCB-1	D5801	DIODE	RL1N4003	1	22380260T	
PCB-1	D5801 or	DIODE	GP104003E	( 1)	22380035T	
PCB-1	D5802	DIODE	RL1N4003	1	22380260T	
PCB-1	D5802 or	DIODE	GP104003E	( 1)	22380035T	
PCB-1	D5803	DIODE	RL1N4003	1	22380260T	
PCB-1	D5803 or	DIODE	GP104003E	( 1)	22380035T	
PCB-1	D5804	DIODE	RL1N4003	1	22380260T	
PCB-1	D5804 or	DIODE	GP104003E	( 1)	22380035T	
PCB-1	D5805	DIODE	RL1N4003	1	22380260T	
PCB-1	D5805 or	DIODE	GP104003E	( 1)	22380035T	
PCB-1	D6020	C-DIODE	KDS4148U	1	223283R2	
PCB-1	D6021	C-DIODE	KDS4148U	1	223283R2	
PCB-1	D6022	C-DIODE	KDS4148U	1	223283R2	
PCB-1	D6023	C-DIODE	KDS4148U	1	223283R2	
PCB-1	D6024	C-DIODE	KDS4148U	1	223283R2	
PCB-1	D6027	C-DIODE	KDS4148U	1	223283R2	<1D, 1E, 1F>
PCB-1	D6031	DIODE	1SS133	1	223163T	
PCB-1	D6032	DIODE	1SS133	1	223163T	

PCB-1	D6033	ZENER D	UDZS3.3B	1	224550330R2	
PCB-1	D6034	ZENER D	UDZS3.3B	1	224550330R2	
PCB-1	D6051	C-DIODE	KDS4148U	1	223283R2	
PCB-1	D6051 or	C-DIODE	1SS352	( 1)	223234R2	
PCB-1	D6051 or	C-DIODE	MA2J111	( 1)	223279R2	
PCB-1	D6052	C-DIODE	KDS4148U	1	223283R2	
PCB-1	D6052 or	C-DIODE	1SS352	( 1)	223234R2	
PCB-1	D6052 or	C-DIODE	MA2J111	( 1)	223279R2	
PCB-1	D6053	C-DIODE	KDS4148U	1	223283R2	<1D, 1E>
PCB-1	D6053 or	C-DIODE	1SS352	( 1)	223234R2	<1D, 1E>
PCB-1	D6053 or	C-DIODE	MA2J111	( 1)	223279R2	<1D, 1E>
PCB-1	D6055	C-DIODE	KDS4148U	1	223283R2	
PCB-1	D6055 or	C-DIODE	1SS352	( 1)	223234R2	
PCB-1	D6055 or	C-DIODE	MA2J111	( 1)	223279R2	
PCB-1	D6056	C-DIODE	KDS4148U	1	223283R2	
PCB-1	D6056 or	C-DIODE	1SS352	( 1)	223234R2	
PCB-1	D6056 or	C-DIODE	MA2J111	( 1)	223279R2	
PCB-1	D6057	C-DIODE	KDS4148U	1	223283R2	<1D, 1E>
PCB-1	D6057 or	C-DIODE	1SS352	( 1)	223234R2	<1D, 1E>
PCB-1	D6057 or	C-DIODE	MA2J111	( 1)	223279R2	<1D, 1E>
PCB-1	D6704	ZENER D	UDZS3.3B	1	224550330R2	
PCB-1	D6901	DIODE	D5SBA20	1	22380130	
PCB-1	D6901A	HEAT SINK	RAD-196	1	27160545	
PCB-1	D6901C	SCREW	3P+10FN(3BC)	1	82143010GR	
PCB-1	D6902	C-DIODE	1SS352	1	223234R2	
PCB-1	D6902 or	C-DIODE	MA2J111	( 1)	223279R2	
PCB-1	D6902 or	C-DIODE	KDS4148U	( 1)	223283R2	
PCB-1	D6903	DIODE	D5SBA20	1	22380130	
PCB-1	D6903C	SCREW	3P+10FN(3BC)	1	82143010GR	
PCB-1	Q5501	IC	R2A15218FP	1	22242605R3	
PCB-1	Q5503	IC	NJM4580M-D	1	22241448R2	
PCB-1	Q5600	TR	RN1441	1	2215410R2	
PCB-1	Q5601	TR	RN1441	1	2215410R2	
PCB-1	Q5602	TR	RN1441	1	2215410R2	
PCB-1	Q5603	TR	RN1441	1	2215410R2	
PCB-1	Q5604	TR	RN1441	1	2215410R2	
PCB-1	Q5607	TR	RN1441	1	2215410R2	
PCB-1	Q5617	TR	RN1441	1	2215410R2	

PCB-1	Q5630	IC	NJM4580M-D	1	22241448R2		
PCB-1	Q5670	IC	78M15HF(NJM78M15FA)	1	222780155JRC		
PCB-1	Q5670 or	IC	UPC78M15AHF-AZ	( 1)	222780155NEC		
PCB-1	Q5671	IC	79M15HF(NJM79M15FA)	1	222790155JRC		
PCB-1	Q5671 or	IC	UPC79M15HF-AZ	( 1)	222790155NEC		
PCB-1	Q6001	IC	STK-443-530-E	1	222148	N	
PCB-1	Q6002	IC	STK-443-530-E	1	222148		<1D, 1E, 1F>
PCB-1	Q6010	TR	2SC2240-BL(TPE2_F)	1	2211406T		
PCB-1	Q6011	TR	2SC2240-BL(TPE2_F)	1	2211406T		
PCB-1	Q6012	TR	2SC2240-BL(TPE2_F)	1	2211406T		
PCB-1	Q6013	TR	2SC2240-BL(TPE2_F)	1	2211406T		
PCB-1	Q6014	TR	2SC2240-BL(TPE2_F)	1	2211406T		
PCB-1	Q6017	TR	2SC2240-BL(TPE2_F)	1	2211406T		<1D, 1E, 1F>
PCB-1	Q6021	TR	2SA1163-BL(TE85L_F)	1	2216756R2		
PCB-1	Q6022	TR	2SC2240-BL(TPE2_F)	1	2211406T		
PCB-1	Q6023	TR	2SC2240-BL(TPE2_F)	1	2211406T		
PCB-1	Q6024	TR	2SA1163-BL(TE85L_F)	1	2216756R2		
PCB-1	Q6051	TR	KRC105S	1	2217290R2		
PCB-1	Q6051 or	TR	RN1405	( 1)	2214500R2		
PCB-1	Q6051 or	TR	DTC123JKA	( 1)	2216690R2		
PCB-1	Q6052	TR	KRC105S	1	2217290R2		
PCB-1	Q6052 or	TR	RN1405	( 1)	2214500R2		
PCB-1	Q6052 or	TR	DTC123JKA	( 1)	2216690R2		
PCB-1	Q6053	TR	KRC105S	1	2217290R2		
PCB-1	Q6053 or	TR	RN1405	( 1)	2214500R2		
PCB-1	Q6053 or	TR	DTC123JKA	( 1)	2216690R2		
PCB-1	Q6054	TR	KRC105S	1	2217290R2		
PCB-1	Q6054 or	TR	RN1405	( 1)	2214500R2		
PCB-1	Q6054 or	TR	DTC123JKA	( 1)	2216690R2		
PCB-1	Q6055	TR	KRC105S	1	2217290R2		<1D, 1E>
PCB-1	Q6055 or	TR	RN1405	( 1)	2214500R2		<1D, 1E>
PCB-1	Q6055 or	TR	DTC123JKA	( 1)	2216690R2		<1D, 1E>
PCB-1	Q6057	TR	KRC105S	1	2217290R2		<1D, 1E>
PCB-1	Q6057 or	TR	RN1405	( 1)	2214500R2		<1D, 1E>
PCB-1	Q6057 or	TR	DTC123JKA	( 1)	2216690R2		<1D, 1E>
PCB-1	Q6380	IC	LM61CIZ	1	22242212		
PCB-1	Q6707	TR	2SC2712-GR	1	2213145R2		
PCB-1	Q6707 or	TR	KTC3875-GR	( 1)	2216175R2		

[TRANS COIL]						
PCB-1	L5501	CHOKE COIL	LBC2518T2R2M	1	231364M022R2	
PCB-1	L6000	S COIL	PB9510	1	231361	
PCB-1	L6000 or	S COIL	SC-0.8X6.0X29.5T-4RV-C	( 1)	231394S	N
PCB-1	L6001	S COIL	PB9510	1	231361	
PCB-1	L6001 or	S COIL	SC-0.8X6.0X29.5T-4RV-C	( 1)	231394S	N
PCB-1	L6002	S COIL	PB9510	1	231361	
PCB-1	L6002 or	S COIL	SC-0.8X6.0X29.5T-4RV-C	( 1)	231394S	N
PCB-1	L6003	S COIL	PB9510	1	231361	
PCB-1	L6003 or	S COIL	SC-0.8X6.0X29.5T-4RV-C	( 1)	231394S	N
PCB-1	L6004	S COIL	PB9510	1	231361	
PCB-1	L6004 or	S COIL	SC-0.8X6.0X29.5T-4RV-C	( 1)	231394S	N
PCB-1	L6007	S COIL	PB9510	1	231361	<1D, 1E, 1F>
PCB-1	L6007 or	S COIL	SC-0.8X6.0X29.5T-4RV-C	( 1)	231394S	<1D, 1E, 1F>
[CAPACITOR]						
PCB-1	C5503	UPZ C	2AUPZTF221JE	1	376332214T	
PCB-1	C5504	UPZ C	2AUPZTF221JE	1	376332214T	
PCB-1	C5507	C-CERA C	CC725CH1H-221J1	1	342102214R1	
PCB-1	C5508	C-CERA C	CC725CH1H-221J1	1	342102214R1	
PCB-1	C5513	C-CERA C	CC725CH1H-221J1	1	342102214R1	
PCB-1	C5514	C-CERA C	CC725CH1H-221J1	1	342102214R1	
PCB-1	C5517	C-CERA C	CC725CH1H-221J1	1	342102214R1	
PCB-1	C5518	C-CERA C	CC725CH1H-221J1	1	342102214R1	
PCB-1	C5519	UPZ C	2AUPZTF221JE	1	376332214T	
PCB-1	C5520	UPZ C	2AUPZTF221JE	1	376332214T	
PCB-1	C5550	UTSP C	CE04W25V-47M(UTSP)	1	397554707T	
PCB-1	C5551	UTSP C	CE04W25V-47M(UTSP)	1	397554707T	
PCB-1	C5552	UTSP C	CE04W25V-47M(UTSP)	1	397554707T	
PCB-1	C5553	UTSP C	CE04W25V-47M(UTSP)	1	397554707T	
PCB-1	C5554	UTSP C	CE04W25V-47M(UTSP)	1	397554707T	
PCB-1	C5557	UTSP C	CE04W25V-47M(UTSP)	1	397554707T	
PCB-1	C5560	UTSP C	CE04W50V 47M(UTSP)	1	397584707T	
PCB-1	C5561	UTSP C	CE04W50V 47M(UTSP)	1	397584707T	
PCB-1	C5562	TF C	ECQ-V50V-474J	1	374724744T	
PCB-1	C5563	TF C	ECQ-V50V-823J	1	374728234T	
PCB-1	C5564	TF C	ECQ-V50V-223J	1	374722234T	
PCB-1	C5565	TF C	ECQ-V50V-474J	1	374724744T	
PCB-1	C5566	TF C	ECQ-V50V-823J	1	374728234T	

PCB-1	C5567	TF C	ECQ-V50V-223J	1	374722234T	
PCB-1	C5570	UTSP C	CE04W50V 47M(UTSP)	1	397584707T	
PCB-1	C5571	UTSP C	CE04W50V 47M(UTSP)	1	397584707T	
PCB-1	C5572	UTSP C	CE04W50V 47M(UTSP)	1	397584707T	
PCB-1	C5573	UTSP C	CE04W50V 47M(UTSP)	1	397584707T	
PCB-1	C5574	UTSP C	CE04W50V 47M(UTSP)	1	397584707T	
PCB-1	C5577	UTSP C	CE04W50V 47M(UTSP)	1	397584707T	
PCB-1	C5585	UTSP C	CE04W25V-47M(UTSP)	1	397554707T	
PCB-1	C5586	UTSP C	CE04W25V-47M(UTSP)	1	397554707T	
PCB-1	C5590	C-CERA C	CC725CH1H-330J1	1	342103304R1	
PCB-1	C5591	C-CERA C	CC725CH1H-330J1	1	342103304R1	
PCB-1	C5600	UTSP C	CE04W50V 47M(UTSP)	1	397584707T	
PCB-1	C5601	UTSP C	CE04W50V 47M(UTSP)	1	397584707T	
PCB-1	C5602	UTSP C	CE04W50V 47M(UTSP)	1	397584707T	
PCB-1	C5603	UTSP C	CE04W50V 47M(UTSP)	1	397584707T	
PCB-1	C5604	UTSP C	CE04W50V 47M(UTSP)	1	397584707T	
PCB-1	C5607	UTSP C	CE04W50V-2.2M(UTSP)	1	397580227T	<1D, 1E, 1F>
PCB-1	C5630	UTSP C	CE04W50V 47M(UTSP)	1	397584707T	
PCB-1	C5631	C-CERA C	CC725CH1H-221J1	1	342102214R1	
PCB-1	C5632	TF C	ECQ-V50V-103J	1	374721034T	
PCB-1	C5666	UTSP C	CE04W25V-220M(UTSP)	1	397552217T	
PCB-1	C5667	UTSP C	CE04W25V-220M(UTSP)	1	397552217T	
PCB-1	C5670	UTSP C	CE04W50V-1M(UTSP)	1	397580107T	
PCB-1	C5671	UTSP C	CE04W50V-1M(UTSP)	1	397580107T	
PCB-1	C5672	UTSP C	CE04W25V-220M(UTSP)	1	397552217T	
PCB-1	C5673	UTSP C	CE04W25V-220M(UTSP)	1	397552217T	
PCB-1	C5686	UTSP C	CE04W16V-470M(UTSP)	1	397544717T	
PCB-1	C5687	UTSP C	CE04W16V-470M(UTSP)	1	397544717T	
PCB-1	C5701	C-CERA C	CC725CH1H-102J1	1	342101024R1	
PCB-1	C5704	C-CERA C	CC725CH1H-102J1	1	342101024R1	
PCB-1	C5705	C-CERA C	CC725CH1H-102J1	1	342101024R1	
PCB-1	C5709	UTSP C	CE04W25V-47M(UTSP)	1	397554707T	
PCB-1	C5710	UTSP C	CE04W25V-47M(UTSP)	1	397554707T	
PCB-1	C5717	C-CERA C	CK725F1E-104Z1	1	332161040R1	
PCB-1	C5800	TF C	ECQ-V50V-334J	1	374723344T	
PCB-1	C5801	VR C	CE04W35V-1000M(VR)	1	394661027S	
PCB-1	C5802	VR C	CE04W35V-470M(VR)	1	394664717T	
PCB-1	C6009	TF C	ECQ-V50V-333J	1	374723334T	

PCB-1	C6010	UTSP C	CE04W50V 47M(UTSP)	1	397584707T		
PCB-1	C6011	UTSP C	CE04W50V 47M(UTSP)	1	397584707T		
PCB-1	C6012	UTSP C	CE04W50V 47M(UTSP)	1	397584707T		
PCB-1	C6013	UTSP C	CE04W50V 47M(UTSP)	1	397584707T		
PCB-1	C6014	UTSP C	CE04W50V 47M(UTSP)	1	397584707T		
PCB-1	C6017	UTSP C	CE04W50V 47M(UTSP)	1	397584707T		<1D, 1E, 1F>
PCB-1	C6020	UPZ C	2AUPZTF471JE	1	376334714T	N	
PCB-1	C6021	UPZ C	2AUPZTF471JE	1	376334714T	N	
PCB-1	C6022	UPZ C	2AUPZTF471JE	1	376334714T	N	
PCB-1	C6023	UPZ C	2AUPZTF471JE	1	376334714T	N	
PCB-1	C6024	UPZ C	2AUPZTF471JE	1	376334714T	N	
PCB-1	C6027	UPZ C	2AUPZTF471JE	1	376334714T		<1D, 1E, 1F>
PCB-1	C6030	UTSP C	CE04W25V-220M(UTSP)	1	397552217T		
PCB-1	C6031	UTSP C	CE04W25V-220M(UTSP)	1	397552217T		
PCB-1	C6032	UTSP C	CE04W25V-220M(UTSP)	1	397552217T		
PCB-1	C6033	UTSP C	CE04W25V-220M(UTSP)	1	397552217T		
PCB-1	C6034	UTSP C	CE04W25V-220M(UTSP)	1	397552217T		
PCB-1	C6037	UTSP C	CE04W25V-220M(UTSP)	1	397552217T		<1D, 1E, 1F>
PCB-1	C6040	CERA C	CC45CH50V-030D	1	345340302T		
PCB-1	C6041	CERA C	CC45CH50V-030D	1	345340302T		
PCB-1	C6042	CERA C	CC45CH50V-030D	1	345340302T		
PCB-1	C6043	CERA C	CC45CH50V-030D	1	345340302T		
PCB-1	C6044	CERA C	CC45CH50V-030D	1	345340302T		
PCB-1	C6047	CERA C	CC45CH50V-030D	1	345340302T		<1D, 1E, 1F>
PCB-1	C6050	C-CERA C	CK725B1H-472K1	1	332104725R1		
PCB-1	C6051	C-CERA C	CK725B1H-472K1	1	332104725R1		
PCB-1	C6052	C-CERA C	CK725B1H-472K1	1	332104725R1		
PCB-1	C6053	C-CERA C	CK725B1H-472K1	1	332104725R1		
PCB-1	C6054	C-CERA C	CK725B1H-472K1	1	332104725R1		
PCB-1	C6057	C-CERA C	CK725B1H-472K1	1	332104725R1		<1D, 1E, 1F>
PCB-1	C6060	TF C	ECQ-V50V-473J	1	374724734T		
PCB-1	C6061	TF C	ECQ-V50V-473J	1	374724734T		
PCB-1	C6062	TF C	ECQ-V50V-473J	1	374724734T		
PCB-1	C6063	TF C	ECQ-V50V-473J	1	374724734T		
PCB-1	C6064	TF C	ECQ-V50V-473J	1	374724734T		
PCB-1	C6067	TF C	ECQ-V50V-473J	1	374724734T		<1D, 1E, 1F>
PCB-1	C6070	TF C	ECQ-V50V-103J	1	374721034T		
PCB-1	C6071	TF C	ECQ-V50V-103J	1	374721034T		

PCB-1	C6072	TF C	ECQ-V50V-103J	1	374721034T		
PCB-1	C6073	TF C	ECQ-V50V-103J	1	374721034T		
PCB-1	C6074	TF C	ECQ-V50V-103J	1	374721034T		
PCB-1	C6077	TF C	ECQ-V50V-103J	1	374721034T		<1D, 1E, 1F>
PCB-1	C6080	MKT C	B32529C0102J289	1	376491024T		<1D>
PCB-1	C6080	MKT C	B32529C0472J289	1	376494724T		<1E, 1F>
PCB-1	C6081	MKT C	B32529C0102J289	1	376491024T		<1D>
PCB-1	C6081	MKT C	B32529C0472J289	1	376494724T		<1E, 1F>
PCB-1	C6082	MKT C	B32529C0102J289	1	376491024T		<1D>
PCB-1	C6082	MKT C	B32529C0472J289	1	376494724T		<1E, 1F>
PCB-1	C6083	MKT C	B32529C0102J289	1	376491024T		<1D>
PCB-1	C6083	MKT C	B32529C0472J289	1	376494724T		<1E, 1F>
PCB-1	C6084	MKT C	B32529C0102J289	1	376491024T		<1D>
PCB-1	C6084	MKT C	B32529C0472J289	1	376494724T		<1E, 1F>
PCB-1	C6087	MKT C	B32529C0102J289	1	376491024T		<1D>
PCB-1	C6087	MKT C	B32529C0472J289	1	376494724T		<1E, 1F>
PCB-1	C6088	MKT C	B32529C0102J289	1	376491024T		<1D>
PCB-1	C6088	MKT C	B32529C0472J289	1	376494724T		<1E, 1F>
PCB-1	C6089	MKT C	B32529C0102J289	1	376491024T		<1D>
PCB-1	C6089	MKT C	B32529C0472J289	1	376494724T		<1E, 1F>
PCB-1	C6090	UTSP C	CE04W25V-100M(UTSP)	1	397551017T		
PCB-1	C6091	UTSP C	CE04W50V-1M(UTSP)	1	397580107T		
PCB-1	C6092	UTSP C	CE04W50V-1M(UTSP)	1	397580107T		
PCB-1	C6093	C-CERA C	CK725F1E-104Z1	1	332161040R1		
PCB-1	C6094	C-CERA C	CK725F1E-104Z1	1	332161040R1		
PCB-1	C6101	UTSP C	CE04W63V-100M(UTSP)	1	397571017T		N
PCB-1	C6102	UTSP C	CE04W63V-100M(UTSP)	1	397571017T		N
PCB-1	C6103	UTSP C	CE04W50V 47M(UTSP)	1	397584707T		
PCB-1	C6104	UTSP C	CE04W63V-100M(UTSP)	1	397571017T		N
PCB-1	C6105	UTSP C	CE04W63V-100M(UTSP)	1	397571017T		N
PCB-1	C6106	UTSP C	CE04W50V 47M(UTSP)	1	397584707T		
PCB-1	C6107	UTSP C	CE04W63V-100M(UTSP)	1	397571017T		N
PCB-1	C6108	UTSP C	CE04W63V-100M(UTSP)	1	397571017T		N
PCB-1	C6111	TF C	ECQ-V50V-103J	1	374721034T		
PCB-1	C6112	TF C	ECQ-V50V-103J	1	374721034T		
PCB-1	C6113	TF C	ECQ-V50V-103J	1	374721034T		<1D, 1E>
PCB-1	C6115	TF C	ECQ-V50V-103J	1	374721034T		
PCB-1	C6116	TF C	ECQ-V50V-103J	1	374721034T		

PCB-1	C6117	TF C	ECQ-V50V-103J	1	374721034T	<1D, 1E>
PCB-1	C6706	UTSP C	CE04W50V-10M(UTSP)	1	397581007T	
PCB-1	C6901	ELECT C	CE69W63V-10000MB	1	3504418	<1D, 1E, 1F>
PCB-1	C6901A	IB CUSHION	W15*3t TAPE	1	28141585	
PCB-1	C6902	ELECT C	CE69W63V-10000MB	1	3504418	<1D, 1E, 1F>
PCB-1	C6902A	TAPE	TAPE(CLOTH-16U)	1	29110083	
PCB-1	C6911	C-CERA C	CC725CH1H-102J1	1	342101024R1	
PCB-1	C6912	TF C	ECQ-V50V-334J	1	374723344T	
PCB-1	C6913	TF C	ECQ-V50V-334J	1	374723344T	
PCB-1	C6915	TF C	ECQ-V50V-104J	1	374721044T	
PCB-1	C6916	TF C	ECQ-V50V-104J	1	374721044T	
PCB-1	C950	TF C	ECQ-V50V-104J	1	374721044T	
<b>[RESISTOR]</b>						
PCB-1	R5500	C-CARBON R	RN72K1J-331JE	1	435033314R1	
PCB-1	R5503	C-CARBON R	RN72K1J-331JE	1	435033314R1	
PCB-1	R5504	C-CARBON R	RN72K1J-331JE	1	435033314R1	
PCB-1	R5505	C-CARBON R	RN72K1J-222JE	1	435032224R1	
PCB-1	R5506	C-CARBON R	RN72K1J-222JE	1	435032224R1	
PCB-1	R5507	C-CARBON R	RN72K1J-331JE	1	435033314R1	
PCB-1	R5508	C-CARBON R	RN72K1J-331JE	1	435033314R1	
PCB-1	R5513	C-CARBON R	RN72K1J-331JE	1	435033314R1	
PCB-1	R5514	C-CARBON R	RN72K1J-331JE	1	435033314R1	
PCB-1	R5515	C-CARBON R	RN72K1J-222JE	1	435032224R1	
PCB-1	R5516	C-CARBON R	RN72K1J-222JE	1	435032224R1	
PCB-1	R5517	C-CARBON R	RN72K1J-331JE	1	435033314R1	
PCB-1	R5518	C-CARBON R	RN72K1J-331JE	1	435033314R1	
PCB-1	R5519	C-CARBON R	RN72K1J-331JE	1	435033314R1	
PCB-1	R5520	C-CARBON R	RN72K1J-331JE	1	435033314R1	
PCB-1	R5543	C-CARBON R	RN72K1J-104JE	1	435031044R1	
PCB-1	R5544	C-CARBON R	RN72K1J-104JE	1	435031044R1	
PCB-1	R5545	C-CARBON R	RN72K1J-224JE	1	435032244R1	
PCB-1	R5546	C-CARBON R	RN72K1J-224JE	1	435032244R1	
PCB-1	R5547	C-CARBON R	RN72K1J-104JE	1	435031044R1	
PCB-1	R5548	C-CARBON R	RN72K1J-104JE	1	435031044R1	
PCB-1	R5553	C-CARBON R	RN72K1J-104JE	1	435031044R1	
PCB-1	R5554	C-CARBON R	RN72K1J-104JE	1	435031044R1	
PCB-1	R5555	C-CARBON R	RN72K1J-224JE	1	435032244R1	
PCB-1	R5556	C-CARBON R	RN72K1J-224JE	1	435032244R1	

PCB-1	R5557	C-CARBON R	RN72K1J-104JE	1	435031044R1		
PCB-1	R5558	C-CARBON R	RN72K1J-104JE	1	435031044R1		
PCB-1	R5559	C-CARBON R	RN72K1J-104JE	1	435031044R1		
PCB-1	R5560	C-CARBON R	RN72K1J-104JE	1	435031044R1		
PCB-1	R5567	C-CARBON R	RN72K1J-473JE	1	435034734R1		
PCB-1	R5568	C-CARBON R	RN72K1J-473JE	1	435034734R1		
PCB-1	R5578	C-CARBON R	RN72K1J-473JE	1	435034734R1		
PCB-1	R5579	C-CARBON R	RN72K1J-473JE	1	435034734R1		
PCB-1	R5582	C-CARBON R	RN72K1J-104JE	1	435031044R1		
PCB-1	R5585	C-CARBON R	RN72K1J-182JE	1	435031824R1		
PCB-1	R5586	C-CARBON R	RN72K1J-182JE	1	435031824R1		
PCB-1	R5587	C-CARBON R	RN72K1J-103JE	1	435031034R1		
PCB-1	R5588	C-CARBON R	RN72K1J-103JE	1	435031034R1		
PCB-1	R5589	C-CARBON R	RN72K1J-000JE	1	435030004R1		
PCB-1	R5590	C-CARBON R	RN72K1J-103JE	1	435031034R1		
PCB-1	R5591	C-CARBON R	RN72K1J-103JE	1	435031034R1		
PCB-1	R5592	C-CARBON R	RN72K1J-271JE	1	435032714R1		
PCB-1	R5593	C-CARBON R	RN72K1J-272JE	1	435032724R1		
PCB-1	R5594	C-CARBON R	RN72K1J-103JE	1	435031034R1		
PCB-1	R5595	C-CARBON R	RN72K1J-103JE	1	435031034R1		
PCB-1	R5596	C-CARBON R	RN72K1J-271JE	1	435032714R1		
PCB-1	R5597	C-CARBON R	RN72K1J-272JE	1	435032724R1		
PCB-1	R5598	C-CARBON R	RN72K1J-103JE	1	435031034R1		
PCB-1	R5599	C-CARBON R	RN72K1J-103JE	1	435031034R1		
PCB-1	R5600	C-CARBON R	RN72K1J-224JE	1	435032244R1		
PCB-1	R5601	C-CARBON R	RN72K1J-224JE	1	435032244R1		
PCB-1	R5602	C-CARBON R	RN72K1J-224JE	1	435032244R1		
PCB-1	R5603	C-CARBON R	RN72K1J-224JE	1	435032244R1		
PCB-1	R5604	C-CARBON R	RN72K1J-224JE	1	435032244R1		
PCB-1	R5607	C-CARBON R	RN72K1J-222JE	1	435032224R1		<1D, 1E, 1F>
PCB-1	R5610	C-CARBON R	RN72K1J-222JE	1	435032224R1		
PCB-1	R5611	C-CARBON R	RN72K1J-222JE	1	435032224R1		
PCB-1	R5612	C-CARBON R	RN72K1J-222JE	1	435032224R1		
PCB-1	R5613	C-CARBON R	RN72K1J-222JE	1	435032224R1		
PCB-1	R5614	C-CARBON R	RN72K1J-222JE	1	435032224R1		
PCB-1	R5617	C-CARBON R	RN72K1J-271JE	1	435032714R1		
PCB-1	R5627	C-CARBON R	RN72K1J-101JE	1	435031014R1		
PCB-1	R5630	C-CARBON R	RN72K1J-221JE	1	435032214R1		

PCB-1	R5631	C-CARBON R	RN72K1J-473JE	1	435034734R1	
PCB-1	R5632	C-CARBON R	RN72K1J-104JE	1	435031044R1	
PCB-1	R5633	C-CARBON R	RN72K1J-222JE	1	435032224R1	
PCB-1	R5634	C-CARBON R	RN72K1J-103JE	1	435031034R1	
PCB-1	R5660	METAL R	RNU1WCJ-0.22	1	453632294T	
PCB-1	R5661	METAL R	RNU1WCJ-0.22	1	453632294T	
PCB-1	R5666	CARBON R	R16J-22	1	417342204T	
PCB-1	R5667	CARBON R	R16J-22	1	417342204T	
PCB-1	R5670	METAL O R	RS2WBJ-10	1	441721004F	<1F>
PCB-1	R5671	METAL O R	RS2WBJ-27	1	441722704F	<1F>
PCB-1	R5672	METAL O R	RS2WBJ-10	1	441721004F	<1F>
PCB-1	R5673	METAL O R	RS2WBJ-27	1	441722704F	<1F>
PCB-1	R5674	METAL O R	RS1WBJ-68	1	443626804T	
PCB-1	R5675	METAL O R	RS1WBJ-68	1	443626804T	
PCB-1	R5676	METAL O R	RS1WBJ-68	1	443626804T	
PCB-1	R5677	METAL O R	RS1WBJ-68	1	443626804T	
PCB-1	R5681	C-CARBON R	RN72K1J-224JE	1	435032244R1	
PCB-1	R5689	C-CARBON R	RN72K1J-224JE	1	435032244R1	
PCB-1	R5690	C-CARBON R	RN72K1J-224JE	1	435032244R1	
PCB-1	R5692	C-CARBON R	RN72K1J-224JE	1	435032244R1	
PCB-1	R5693	C-CARBON R	RN72K1J-224JE	1	435032244R1	
PCB-1	R5694	C-CARBON R	RN72K1J-224JE	1	435032244R1	
PCB-1	R5802	C-CARBON R	RN72K1J-512JE	1	435035124R1	
PCB-1	R5803	C-CARBON R	RN72K1J-512JE	1	435035124R1	
PCB-1	R5804	C-CARBON R	RN72K1J-512JE	1	435035124R1	
PCB-1	R5805	C-CARBON R	RN72K1J-512JE	1	435035124R1	
PCB-1	R5806	C-CARBON R	RN72K1J-512JE	1	435035124R1	
PCB-1	R5807	C-CARBON R	RN72K1J-512JE	1	435035124R1	
PCB-1	R6010	C-CARBON R	RN72K1J-102JE	1	435031024R1	
PCB-1	R6011	C-CARBON R	RN72K1J-102JE	1	435031024R1	
PCB-1	R6012	C-CARBON R	RN72K1J-102JE	1	435031024R1	
PCB-1	R6013	C-CARBON R	RN72K1J-102JE	1	435031024R1	
PCB-1	R6014	C-CARBON R	RN72K1J-102JE	1	435031024R1	
PCB-1	R6017	C-CARBON R	RN72K1J-102JE	1	435031024R1	<1D, 1E, 1F>
PCB-1	R6020	CARBON R	R16J-56K	1	417345634T	
PCB-1	R6021	CARBON R	R16J-56K	1	417345634T	
PCB-1	R6022	CARBON R	R16J-56K	1	417345634T	
PCB-1	R6023	CARBON R	R16J-56K	1	417345634T	

PCB-1	R6024	CARBON R	R16J-56K	1	417345634T	
PCB-1	R6027	CARBON R	R16J-56K	1	417345634T	<1D, 1E, 1F>
PCB-1	R6030	CARBON R	R16J-2.2K	1	417342224T	
PCB-1	R6031	CARBON R	R16J-2.2K	1	417342224T	
PCB-1	R6032	CARBON R	R16J-2.2K	1	417342224T	
PCB-1	R6033	CARBON R	R16J-2.2K	1	417342224T	
PCB-1	R6034	CARBON R	R16J-2.2K	1	417342224T	
PCB-1	R6037	CARBON R	R16J-2.2K	1	417342224T	<1D, 1E, 1F>
PCB-1	R6040	CARBON R	R16J-120K	1	417341244T	
PCB-1	R6041	CARBON R	R16J-120K	1	417341244T	
PCB-1	R6042	CARBON R	R16J-120K	1	417341244T	
PCB-1	R6043	CARBON R	R16J-120K	1	417341244T	
PCB-1	R6044	CARBON R	R16J-120K	1	417341244T	
PCB-1	R6047	CARBON R	R16J-120K	1	417341244T	<1D, 1E, 1F>
PCB-1	R6050	CARBON R	R16J-120K	1	417341244T	
PCB-1	R6051	CARBON R	R16J-120K	1	417341244T	
PCB-1	R6052	CARBON R	R16J-120K	1	417341244T	
PCB-1	R6053	CARBON R	R16J-120K	1	417341244T	
PCB-1	R6054	CARBON R	R16J-120K	1	417341244T	
PCB-1	R6057	CARBON R	R16J-120K	1	417341244T	<1D, 1E, 1F>
PCB-1	R6060	METAL PR	MPR2W+2W 0R22	1	4000234	
PCB-1	R6061	METAL PR	MPR2W+2W 0R22	1	4000234	
PCB-1	R6062	METAL PR	MPR2W+2W 0R22	1	4000234	
PCB-1	R6063	METAL PR	MPR2W+2W 0R22	1	4000234	
PCB-1	R6064	METAL PR	MPR2W+2W 0R22	1	4000234	
PCB-1	R6067	METAL PR	MPR2W+2W 0R22	1	4000234	<1D, 1E, 1F>
PCB-1	R6070	C-CARBON R	RN72K1J-563JE	1	435035634R1	
PCB-1	R6071	C-CARBON R	RN72K1J-563JE	1	435035634R1	
PCB-1	R6072	C-CARBON R	RN72K1J-563JE	1	435035634R1	
PCB-1	R6073	C-CARBON R	RN72K1J-563JE	1	435035634R1	
PCB-1	R6074	C-CARBON R	RN72K1J-563JE	1	435035634R1	
PCB-1	R6077	C-CARBON R	RN72K1J-563JE	1	435035634R1	<1D, 1E, 1F>
PCB-1	R6080	C-CARBON R	RN72K1J-123JE	1	435031234R1	
PCB-1	R6081	C-CARBON R	RN72K1J-123JE	1	435031234R1	
PCB-1	R6082	C-CARBON R	RN72K1J-123JE	1	435031234R1	
PCB-1	R6083	C-CARBON R	RN72K1J-123JE	1	435031234R1	
PCB-1	R6084	C-CARBON R	RN72K1J-123JE	1	435031234R1	
PCB-1	R6087	C-CARBON R	RN72K1J-123JE	1	435031234R1	<1D, 1E, 1F>

PCB-1	R6100	C-CARBON R	RN72K1J-333JE	1	435033334R1		
PCB-1	R6101	C-CARBON R	RN72K1J-333JE	1	435033334R1		
PCB-1	R6102	C-CARBON R	RN72K1J-333JE	1	435033334R1		
PCB-1	R6103	C-CARBON R	RN72K1J-333JE	1	435033334R1		
PCB-1	R6104	C-CARBON R	RN72K1J-333JE	1	435033334R1		
PCB-1	R6107	C-CARBON R	RN72K1J-333JE	1	435033334R1		<1D, 1E, 1F>
PCB-1	R6110	C-CARBON R	RN72K1J-473JE	1	435034734R1		
PCB-1	R6111	C-CARBON R	RN72K1J-473JE	1	435034734R1		
PCB-1	R6112	C-CARBON R	RN72K1J-473JE	1	435034734R1		
PCB-1	R6113	C-CARBON R	RN72K1J-473JE	1	435034734R1		
PCB-1	R6114	C-CARBON R	RN72K1J-473JE	1	435034734R1		
PCB-1	R6117	C-CARBON R	RN72K1J-473JE	1	435034734R1		<1D, 1E, 1F>
PCB-1	R6120	C-CARBON R	RN72K1J-473JE	1	435034734R1		
PCB-1	R6121	C-CARBON R	RN72K1J-473JE	1	435034734R1		
PCB-1	R6122	C-CARBON R	RN72K1J-473JE	1	435034734R1		
PCB-1	R6123	C-CARBON R	RN72K1J-473JE	1	435034734R1		
PCB-1	R6124	C-CARBON R	RN72K1J-473JE	1	435034734R1		
PCB-1	R6127	C-CARBON R	RN72K1J-473JE	1	435034734R1		<1D, 1E, 1F>
PCB-1	R6130	C-CARBON R	RN72K2E-150JE	1	435221504R1		
PCB-1	R6131	C-CARBON R	RN72K2E-150JE	1	435221504R1		
PCB-1	R6132	C-CARBON R	RN72K2E-150JE	1	435221504R1		
PCB-1	R6133	C-CARBON R	RN72K2E-150JE	1	435221504R1		
PCB-1	R6134	C-CARBON R	RN72K2E-150JE	1	435221504R1		
PCB-1	R6137	C-CARBON R	RN72K2E-150JE	1	435221504R1		<1D, 1E, 1F>
PCB-1	R6140	METAL R	RNU1WCJ-8.2	1	453630824T		
PCB-1	R6141	METAL R	RNU1WCJ-8.2	1	453630824T		
PCB-1	R6142	METAL R	RNU1WCJ-8.2	1	453630824T		
PCB-1	R6143	METAL R	RNU1WCJ-8.2	1	453630824T		
PCB-1	R6144	METAL R	RNU1WCJ-8.2	1	453630824T		
PCB-1	R6147	METAL R	RNU1WCJ-8.2	1	453630824T		<1D, 1E, 1F>
PCB-1	R6197	METAL R	RNU1WCJ-8.2	1	453630824T		<1F>
PCB-1	R6203	CARBON R	R16J-33K	1	417343334T		
PCB-1	R6204	METAL O R	RS1WBJ-100	1	441621014F		
PCB-1	R6205	METAL O R	RS1WBJ-100	1	441621014F		
PCB-1	R6208	CARBON R	R16J-33K	1	417343334T		
PCB-1	R6209	METAL O R	RS1WBJ-100	1	441621014F		
PCB-1	R6210	METAL O R	RS1WBJ-100	1	441621014F		
PCB-1	R6211	C-CARBON R	RN72K1J-333JE	1	435033334R1		

PCB-1	R6213	C-CARBON R	RN72K1J-103JE	1	435031034R1		
PCB-1	R6214	C-CARBON R	RN72K1J-473JE	1	435034734R1		
PCB-1	R6216	C-CARBON R	RN72K1J-224JE	1	435032244R1		
PCB-1	R6217	C-CARBON R	RN72K1J-473JE	1	435034734R1		
PCB-1	R6218	C-CARBON R	RN72K1J-103JE	1	435031034R1		
PCB-1	R6219	C-CARBON R	RN72K1J-224JE	1	435032244R1		
PCB-1	R6230	C-CARBON R	RN72K2E-150JE	1	435221504R1		
PCB-1	R6231	C-CARBON R	RN72K2E-150JE	1	435221504R1		
PCB-1	R6232	C-CARBON R	RN72K2E-150JE	1	435221504R1		
PCB-1	R6233	C-CARBON R	RN72K2E-150JE	1	435221504R1		
PCB-1	R6234	C-CARBON R	RN72K2E-150JE	1	435221504R1		
PCB-1	R6237	C-CARBON R	RN72K2E-150JE	1	435221504R1		<1D, 1E, 1F>
PCB-1	R6251	METAL O R	RS1/2WBJ-390	1	443523914T		
PCB-1	R6252	METAL O R	RS1/2WBJ-390	1	443523914T		
PCB-1	R6301	METAL O R	RS1WBJ-470	1	443624714T		<1D, 1E>
PCB-1	R6302	METAL O R	RS1/2WBJ-22	1	443522204T		<1F>
PCB-1	R6302	METAL O R	RS1WBJ-10	1	443621004T		<1D, 1E>
PCB-1	R6303	METAL O R	RS1WBJ-470	1	443624714T		<1D, 1E>
PCB-1	R6304	METAL O R	RS1WBJ-470	1	443624714T		<1D, 1E>
PCB-1	R6305	METAL O R	RS1WBJ-470	1	443624714T		<1D, 1E>
PCB-1	R6306	METAL O R	RS1WBJ-470	1	443624714T		<1D, 1E>
PCB-1	R6307	METAL O R	RS1WBJ-470	1	443624714T		<1D, 1E>
PCB-1	R6308	METAL O R	RS1WBJ-470	1	443624714T		<1D, 1E>
PCB-1	R6309	METAL O R	RS1WBJ-470	1	443624714T		<1D, 1E>
PCB-1	R6310	METAL O R	RS1WBJ-470	1	443624714T		<1D, 1E>
PCB-1	R6311	METAL O R	RS1WBJ-470	1	443624714T		<1D, 1E>
PCB-1	R6312	METAL O R	RS1/2WBJ-47	1	443524704T		<1F>
PCB-1	R6312	METAL O R	RS1/2WBJ-82	1	443528204T		<1D, 1E>
PCB-1	R6316	METAL O R	RS1/2WBJ-10	1	443521004T		<1D, 1E>
PCB-1	R6327	METAL O R	RS1WBJ-470	1	443624714T		<1D, 1E>
PCB-1	R6337	METAL O R	RS1WBJ-470	1	443624714T		<1D, 1E>
PCB-1	R6501	C-CARBON R	RN72K1J-224JE	1	435032244R1		
PCB-1	R6502	C-CARBON R	RN72K1J-224JE	1	435032244R1		
PCB-1	R6709	C-CARBON R	RN72K1J-562JE	1	435035624R1		
PCB-1	R6710	C-CARBON R	RN72K1J-562JE	1	435035624R1		
PCB-1	R6902	C-CARBON R	RN72K1J-102JE	1	435031024R1		
PCB-1	R6903	C-CARBON R	RN72K1J-473JE	1	435034734R1		
PCB-1	R950	METAL R	RNU1/2WCJ-8.2	1	453530824T		

PCB-1	R951	METAL R	RNU1/2WCJ-0.22	1	453532294T	
	[SW TRM]					
PCB-1	E6001	RETAINER	MET37-0002	1	27142009T	
PCB-1	F6901A	FUSE HOL	NSCT-1P2031	1	25052133T	
PCB-1	F6901B	FUSE HOL	NSCT-1P2031	1	25052133T	
PCB-1	F6902A	FUSE HOL	NSCT-1P2031	1	25052133T	
PCB-1	F6902B	FUSE HOL	NSCT-1P2031	1	25052133T	
PCB-1	JL6001A	WIRE HOL	NSCT-9P900	1	25051113	
PCB-1	JL6001B	WIRE HOL	NSCT-9P900	1	25051113	
PCB-1	JL6600A	WIRE HOL	NSCT-7P898	1	25051111	
PCB-1	JL6600B	WIRE HOL	NSCT-7P898	1	25051111	
PCB-1	JL6605B	WIRE HOL	NSCT-5P896	1	25051109	
PCB-1	JL6952A	WIRE HOL	NSCT-9P900	1	25051113	
PCB-1	JL6952B	WIRE HOL	NSCT-9P900	1	25051113	
PCB-1	JL9101A	WIRE HOL	NSCT-7P898	1	25051111	
PCB-1	P001	PWB	BCAF-0002	1	25140002B	N
PCB-1	P5501B	PLUG	NPLG-7P0962	1	25056012	
PCB-1	P5502B	PLUG	NPLG-15P0970	1	25056020	
PCB-1	P5503B	PLUG	NPLG-9P0964	1	25056014	
PCB-1	P5504B	PLUG	NPLG-9P0964	1	25056014	
PCB-1	P6001	TRM	NTM-12PDML362	1	25060433	<1D, 1E, 1F>
PCB-1	P6001 or	TRM	NTM-12PDML356	( 1)	25060427	<1D, 1E, 1F>
PCB-1	P6002	TRM	NTM-4PDMNRR420	1	25060492	
PCB-1	P6900	CRIMP AS	CRIMP AS	1	20799162UL	
PCB-1	P6901	CRIMP AS	CRIMP AS	1	2069925162UL	
PCB-1	P6902	CRIMP AS	CRIMP AS	1	2069925149UL	
PCB-1	P6903	WS CLAMP	CB-71683(L=50)	1	260261	
PCB-1	P6906	WS CLAMP	CB-71683(L=50)	1	260261	
PCB-1	P6909	WS CLAMP	CB-71683(L=50)	1	260261	
PCB-1	P7900	ST JACK	MSJ-035-22	1	25045887	
PCB-1	P7900 or	JACK	YKB21-5130	( 1)	25045387	
PCB-1	P7902	PIN JACK	NPJ-2PDWR595	1	25045815	
PCB-1	P7904	PIN JACK	NPJ-4PDWWRR624	1	25045845	
PCB-1	P7904 or	PIN JACK	NPJ-4PDBL162	( 1)	25045303	
PCB-1	P7905	PIN JACK	NPJ-4PDWWRR624	1	25045845	
PCB-1	P7905 or	PIN JACK	NPJ-4PDBL162	( 1)	25045303	
PCB-1	P7906	PIN JACK	NPJ-4PDWWRR624	1	25045845	
PCB-1	P7906 or	PIN JACK	NPJ-4PDBL162	( 1)	25045303	

PCB-1	RL6001	RELAY	NRL-2P5A-DC24-158	1	25065618	<1F>
PCB-1	RL6001	RELAY	NRL-2P5A-DC12-192	1	25065702	<1D, 1E>
PCB-1	RL6001 or	RELAY	NRL-2P5A-DC24-193	( 1)	25065703	<1F>
PCB-1	RL6001 or	RELAY	NRL-2P5A-DC24-129	( 1)	25065563A	<1F>
PCB-1	RL6002	RELAY	NRL-2P5A-DC24-158	1	25065618	<1F>
PCB-1	RL6002	RELAY	NRL-2P5A-DC12-192	1	25065702	<1D, 1E>
PCB-1	RL6002 or	RELAY	NRL-2P5A-DC24-193	( 1)	25065703	<1F>
PCB-1	RL6002 or	RELAY	NRL-2P5A-DC24-129	( 1)	25065563A	<1F>
PCB-1	RL6003	RELAY	NRL-2P5A-DC24-158	1	25065618	<1F>
PCB-1	RL6003	RELAY	NRL-2P5A-DC12-192	1	25065702	<1D, 1E>
PCB-1	RL6003 or	RELAY	NRL-2P5A-DC24-193	( 1)	25065703	<1F>
PCB-1	RL6003 or	RELAY	NRL-2P5A-DC24-129	( 1)	25065563A	<1F>
PCB-1	RL6005	RELAY	NRL-2P5A-DC24-158	1	25065618	<1F>
PCB-1	RL6005	RELAY	NRL-2P5A-DC12-192	1	25065702	<1D, 1E>
PCB-1	RL6005 or	RELAY	NRL-2P5A-DC24-193	( 1)	25065703	<1F>
PCB-1	RL6005 or	RELAY	NRL-2P5A-DC24-129	( 1)	25065563A	<1F>
PCB-1	RL6006	RELAY	NRL-2P5A-DC24-158	1	25065618	<1F>
PCB-1	RL6006	RELAY	NRL-2P5A-DC12-192	1	25065702	<1D, 1E>
PCB-1	RL6006 or	RELAY	NRL-2P5A-DC24-193	( 1)	25065703	<1F>
PCB-1	RL6006 or	RELAY	NRL-2P5A-DC24-129	( 1)	25065563A	<1F>
PCB-1	RL6007	RELAY	NRL-2P5A-DC24-158	1	25065618	<1F>
PCB-1	RL6007	RELAY	NRL-2P5A-DC12-192	1	25065702	<1D, 1E>
PCB-1	RL6007 or	RELAY	NRL-2P5A-DC24-193	( 1)	25065703	<1F>
PCB-1	RL6007 or	RELAY	NRL-2P5A-DC24-129	( 1)	25065563A	<1F>
PCB-1	RL6901	RELAY	NRL-1P10A-DC12-140	1	25065584	
PCB-1	RL6901 or	RELAY	NRL-1P10A-DC12-143	( 1)	25065588	
PCB-1	RL6902	RELAY	NRL-1P10A-DC12-140	1	25065584	
PCB-1	RL6902 or	RELAY	NRL-1P10A-DC12-143	( 1)	25065588	
<b>[CHASSIS SCREW]</b>						
PCB-1	Q5670A	HEAT-SINK	HEAT-SINK(RAD-68)	1	27160211	
PCB-1	Q5670B	SCREW	3P+10FN(3BC)	1	82143010GR	
PCB-1	Q5671A	HEAT-SINK	HEAT-SINK(RAD-68)	1	27160211	
PCB-1	Q5671B	SCREW	3P+10FN(3BC)	1	82143010GR	

**U002 CPU/CODEC PC BOARD (BADG-0022-1E/1F/G)**

CIRCUIT. N°	PART NAME	DESCRIPTION	Q'TY	PART NO. (SN)	REMARKS
-------------	-----------	-------------	------	---------------	---------

[TUNER UNIT]						
PCB-2	U131	PHT CP	JSR1165-001recieving	1	24120143	
PCB-2	U131 or	PHT CP	GP1FAV51RK0F	( 1)	24120129	
PCB-2	U132	PHT CP	JSR1165-001recieving	1	24120143	
PCB-2	U132 or	PHT CP	GP1FAV51RK0F	( 1)	24120129	
[SEMI CONDUCTOR]						
PCB-2	D110	C-DIODE	KDS4148U	1	223283R2	
PCB-2	D110 or	C-DIODE	1SS352	( 1)	223234R2	
PCB-2	D110 or	C-DIODE	MA2J111	( 1)	223279R2	
PCB-2	D111	C-DIODE	KDS4148U	1	223283R2	
PCB-2	D111 or	C-DIODE	1SS352	( 1)	223234R2	
PCB-2	D111 or	C-DIODE	MA2J111	( 1)	223279R2	
PCB-2	D112	ZENER D	UDZS10B	1	224551000R2	
PCB-2	D113	C-DIODE	KDS4148U	1	223283R2	
PCB-2	D114	C-DIODE	KDS4148U	1	223283R2	
PCB-2	D181	C-DIODE	KDS4148U	1	223283R2	
PCB-2	D181 or	C-DIODE	1SS352	( 1)	223234R2	
PCB-2	D181 or	C-DIODE	MA2J111	( 1)	223279R2	
PCB-2	D182	C-DIODE	KDS4148U	1	223283R2	
PCB-2	D182 or	C-DIODE	1SS352	( 1)	223234R2	
PCB-2	D182 or	C-DIODE	MA2J111	( 1)	223279R2	
PCB-2	D183	DIODE	RL1N4003	1	22380260T	
PCB-2	D601	C-DIODE	KDS4148U	1	223283R2	
PCB-2	D601 or	C-DIODE	1SS352	( 1)	223234R2	
PCB-2	D601 or	C-DIODE	MA2J111	( 1)	223279R2	
PCB-2	D701	C-DIODE	KDS4148U	1	223283R2	
PCB-2	D701 or	C-DIODE	1SS352	( 1)	223234R2	
PCB-2	D701 or	C-DIODE	MA2J111	( 1)	223279R2	
PCB-2	D702	C-DIODE	KDS4148U	1	223283R2	
PCB-2	D702 or	C-DIODE	1SS352	( 1)	223234R2	
PCB-2	D702 or	C-DIODE	MA2J111	( 1)	223279R2	
PCB-2	Q101	IC	LC72725KV-TLM-E	1	22242584R2	<1F>
PCB-2	Q111	TR	2SC2235-Y(TPE6_F)	1	2211654T	
PCB-2	Q131	IC	74HCU04F	1	222740046R2	
PCB-2	Q131 or	IC	TC74HCU04AF	( 1)	222740046R2TO	
PCB-2	Q153	IC	R1EX25064ASA00A	1	22242581R2	
PCB-2	Q171	IC	TC7WU04FU(TE12L_F)	1	22240935R2	
PCB-2	Q181	TR	KRC105S	1	2217290R2	

PCB-2	Q181 or	TR	RN1405	( 1)	2214500R2	
PCB-2	Q301	IC	CS42518-CQZR-D	1	22242229R2	
PCB-2	Q400	IC	NJM4580M-D	1	22241448R2	
PCB-2	Q401	IC	NJM4580M-D	1	22241448R2	
PCB-2	Q402	IC	NJM4580M-D	1	22241448R2	
PCB-2	Q403	IC	NJM4580M-D	1	22241448R2	
PCB-2	Q601	TR	KRC104S	1	2216210R2	
PCB-2	Q601 or	TR	RN1404	( 1)	2214490R2	
PCB-2	Q701	IC	M30626FJPPF	1	222W0094R3	<1E, 1F, 1G>
PCB-2	Q702	IC	S-812C33AUA-C2N	1	22242222R2	
PCB-2	Q703	IC	S-812C56AUA-C3K	1	22242207R2	
PCB-2	Q746	IC	BH33FB1WG-TR	1	22242585R2	
PCB-2	Q751	TR	KRC104S	1	2216210R2	
PCB-2	Q751 or	TR	RN1404	( 1)	2214490R2	
PCB-2	Q752	TR	KRA102S	1	2216220R2	
PCB-2	Q752 or	TR	RN2402	( 1)	2214530R2	
PCB-2	Q753	TR	KRA107S	1	2216350R2	
PCB-2	Q753 or	TR	RN2407(TE85L_F)	( 1)	2216360R2	
PCB-2	Q754	TR	KRC102S	1	2216190R2	
PCB-2	Q754 or	TR	RN1402	( 1)	2214470R2	
PCB-2	Q755	TR	KRA107S	1	2216350R2	
PCB-2	Q755 or	TR	RN2407(TE85L_F)	( 1)	2216360R2	
PCB-2	Q756	TR	KRC102S	1	2216190R2	
PCB-2	Q756 or	TR	RN1402	( 1)	2214470R2	
	<b>[TRANS COIL]</b>					
PCB-2	L101	CORE	BLM18PG181SN1D	1	2350005R1	<1F>
PCB-2	L131	CHOKE COIL	LBC2518T2R2M	1	231364M022R2	
PCB-2	L133	CHOKE COIL	LBC2518T470M	1	231364M470R2	
PCB-2	L134	CHOKE COIL	LBC2518T470M	1	231364M470R2	
PCB-2	L136	CHOKE COIL	LBC2518T4R7M	1	231364M047R2	
PCB-2	L137	CHOKE COIL	LBC2518T4R7M	1	231364M047R2	
PCB-2	L153	CORE	BLM18PG181SN1D	1	2350005R1	
PCB-2	L171	CHOKE COIL	LBC2518T470M	1	231364M470R2	
PCB-2	L173	EMIFIL	BK1608LM182-T	1	230958R1	
PCB-2	L301	CHOKE COIL	BLM21PG221SN1	1	230949R2	
PCB-2	L302	CORE	BLM18PG181SN1D	1	2350005R1	
PCB-2	L303	CHOKE COIL	LBC2518T4R7M	1	231364M047R2	
PCB-2	L304	CHOKE COIL	BLM21PG221SN1	1	230949R2	

PCB-2	L311	EMIFIL	BK1608LM182-T	1	230958R1		
PCB-2	L313	EMIFIL	BK1608LM182-T	1	230958R1		
PCB-2	L500	CORE	BLM18PG181SN1D	1	2350005R1		
PCB-2	L741	CORE	BLM18PG181SN1D	1	2350005R1		
PCB-2	L742	CHOKE COIL	BLM21PG221SN1	1	230949R2		
PCB-2	L743	CORE	BLM18PG181SN1D	1	2350005R1		
PCB-2	L744	CORE	BLM18PG181SN1D	1	2350005R1		
PCB-2	L746	CORE	BLM18PG181SN1D	1	2350005R1		
PCB-2	L747	CORE	BLM18PG181SN1D	1	2350005R1		
	<b>[CAPACITOR]</b>						
PCB-2	C101	UTSP C	CE04W25V-100M(UTSP)	1	397551017T		
PCB-2	C102	C-CERA C	CK725F1E-104Z1	1	332161040R1		
PCB-2	C103	UTSP C	CE04W50V-10M(UTSP)	1	397581007T		<1F>
PCB-2	C104	UTSP C	CE04W50V-10M(UTSP)	1	397581007T		<1F>
PCB-2	C105	C-CERA C	CK725F1E-104Z1	1	332161040R1		<1F>
PCB-2	C106	C-CERA C	CC725CH1H-331J1	1	342103314R1		<1F>
PCB-2	C107	C-CERA C	CK725F1E-104Z1	1	332161040R1		<1F>
PCB-2	C108	C-CERA C	CC725CH1H-150J1	1	342101504R1		<1F>
PCB-2	C109	C-CERA C	CC725CH1H-150J1	1	342101504R1		<1F>
PCB-2	C110	C-CERA C	CC725CH1H-331J1	1	342103314R1		<1F>
PCB-2	C111	UTSP C	CE04W50V 47M(UTSP)	1	397584707T		
PCB-2	C112	C-CERA C	CK725F1E-104Z1	1	332161040R1		
PCB-2	C113	C-CERA C	CC725CH1H-221J1	1	342102214R1		<1F>
PCB-2	C131	C-CERA C	CC725CH1H-101J1	1	342101014R1		
PCB-2	C133	C-CERA C	CK725B1C-104K1	1	332121045R1		
PCB-2	C135	C-CERA C	CC725CH1H-080D1	1	342100802R1		
PCB-2	C137	C-CERA C	CK725F1E-104Z1	1	332161040R1		
PCB-2	C139	UTSP C	CE04W10V-220M(UTSP)	1	397532217T		
PCB-2	C140	C-CERA C	CK725F1E-104Z1	1	332161040R1		
PCB-2	C141	C-CERA C	CK725F1E-104Z1	1	332161040R1		
PCB-2	C142	C-CERA C	CK725F1E-104Z1	1	332161040R1		
PCB-2	C145	UTSP C	CE04W10V-220M(UTSP)	1	397532217T		
PCB-2	C147	C-CERA C	CK725F1E-104Z1	1	332161040R1		
PCB-2	C148	C-CERA C	CK725B1H-103K1	1	332101035R1		
PCB-2	C149	C-CERA C	CK725F1E-104Z1	1	332161040R1		
PCB-2	C150	C-CERA C	CK725F1E-104Z1	1	332161040R1		
PCB-2	C151	C-CERA C	CK725F1E-104Z1	1	332161040R1		
PCB-2	C152	C-CERA C	CK725F1E-104Z1	1	332161040R1		

PCB-2	C153	C-CERA C	CK725F1E-104Z1	1	332161040R1		
PCB-2	C171	C-CERA C	CK725F1E-104Z1	1	332161040R1		
PCB-2	C172	C-CERA C	CC725CH1H-060D1	1	342100602R1		
PCB-2	C173	C-CERA C	CC725CH1H-060D1	1	342100602R1		
PCB-2	C300	UTSP C	CE04W10V-470M(UTSP)	1	397534717T		
PCB-2	C301	C-CERA C	CK725B1H-103K1	1	332101035R1		
PCB-2	C302	UTSP C	CE04W10V-470M(UTSP)	1	397534717T		
PCB-2	C303	UTSP C	CE04W10V-470M(UTSP)	1	397534717T		
PCB-2	C304	UTSP C	CE04W10V-470M(UTSP)	1	397534717T		
PCB-2	C305	C-CERA C	CK725F1E-104Z1	1	332161040R1		
PCB-2	C306	UTSJ C	CE04W25V-47M(UTSJ)	1	398054707T		
PCB-2	C307	C-CERA C	CK725F1E-104Z1	1	332161040R1		
PCB-2	C308	UTSP C	CE04W25V-100M(UTSP)	1	397551017T		
PCB-2	C309	C-CERA C	CK725F1E-104Z1	1	332161040R1		
PCB-2	C310	C-CERA C	CC725CH1H-102J1	1	342101024R1		
PCB-2	C311	C-CERA C	CK725B1H-223K1	1	332102235R1		
PCB-2	C312	C-CERA C	CK725F1E-104Z1	1	332161040R1		
PCB-2	C313	C-CERA C	CK725F1E-104Z1	1	332161040R1		
PCB-2	C314	C-CERA C	CK725F1E-104Z1	1	332161040R1		
PCB-2	C315	C-CERA C	CK725F1E-104Z1	1	332161040R1		
PCB-2	C316	C-CERA C	CC725CH1H-221J1	1	342102214R1		
PCB-2	C318	C-CERA C	CK725F1E-104Z1	1	332161040R1		
PCB-2	C320	UTSP C	CE04W50V 47M(UTSP)	1	397584707T		
PCB-2	C321	UTSP C	CE04W50V 47M(UTSP)	1	397584707T		
PCB-2	C330	UTSP C	CE04W50V 47M(UTSP)	1	397584707T		
PCB-2	C331	UTSP C	CE04W50V 47M(UTSP)	1	397584707T		
PCB-2	C333	C-CERA C	CC725CH1H-330J1	1	342103304R1		
PCB-2	C334	C-CERA C	CC725CH1H-330J1	1	342103304R1		
PCB-2	C336	C-CERA C	CC725CH1H-330J1	1	342103304R1		
PCB-2	C337	C-CERA C	CC725CH1H-330J1	1	342103304R1		
PCB-2	C340	C-CERA C	CC732CH1H-222J	1	347342224R2		
PCB-2	C341	C-CERA C	CC732CH1H-222J	1	347342224R2		
PCB-2	C350	C-CERA C	CC725CH1H-101J1	1	342101014R1		
PCB-2	C351	C-CERA C	CC725CH1H-101J1	1	342101014R1		
PCB-2	C400	MKT C	B32529C0472J289	1	376494724T		
PCB-2	C401	MKT C	B32529C0472J289	1	376494724T		
PCB-2	C402	MKT C	B32529C0472J289	1	376494724T		
PCB-2	C403	MKT C	B32529C0472J289	1	376494724T		

PCB-2	C404	MKT C	B32529C0472J289	1	376494724T		
PCB-2	C407	TF C	ECQ-V50V-333J	1	374723334T		
PCB-2	C408	UTSP C	CE04W25V-220M(UTSP)	1	397552217T		
PCB-2	C409	UTSP C	CE04W25V-220M(UTSP)	1	397552217T		
PCB-2	C410	UPZ C	2AUPZTF681JE	1	376336814T	N	
PCB-2	C411	UPZ C	2AUPZTF681JE	1	376336814T	N	
PCB-2	C412	UPZ C	2AUPZTF681JE	1	376336814T	N	
PCB-2	C413	C-CERA C	CC725CH1H-681J1	1	342106814R1		
PCB-2	C414	C-CERA C	CC725CH1H-681J1	1	342106814R1		
PCB-2	C417	TF C	ECQ-V50V-153J	1	374721534T		
PCB-2	C420	UPZ C	2AUPZTF681JE	1	376336814T	N	
PCB-2	C421	UPZ C	2AUPZTF681JE	1	376336814T	N	
PCB-2	C422	UPZ C	2AUPZTF681JE	1	376336814T	N	
PCB-2	C423	C-CERA C	CC725CH1H-681J1	1	342106814R1		
PCB-2	C424	C-CERA C	CC725CH1H-681J1	1	342106814R1		
PCB-2	C427	TF C	ECQ-V50V-153J	1	374721534T		
PCB-2	C504	C-CERA C	CK725F1E-104Z1	1	332161040R1		
PCB-2	C505	C-CERA C	CK725F1E-104Z1	1	332161040R1		
PCB-2	C510	C-CERA C	CC725CH1H-101J1	1	342101014R1		
PCB-2	C511	C-CERA C	CC725CH1H-101J1	1	342101014R1		
PCB-2	C512	C-CERA C	CK725F1E-104Z1	1	332161040R1		
PCB-2	C513	C-CERA C	CK725F1E-104Z1	1	332161040R1		
PCB-2	C514	C-CERA C	CK725B1H-102K1	1	332101025R1		
PCB-2	C515	C-CERA C	CK725F1E-104Z1	1	332161040R1		
PCB-2	C516	C-CERA C	CK725B1H-102K1	1	332101025R1		
PCB-2	C517	C-CERA C	CC725CH1H-101J1	1	342101014R1		
PCB-2	C518	C-CERA C	CC725CH1H-101J1	1	342101014R1		
PCB-2	C519	C-CERA C	CK725B1H-102K1	1	332101025R1		
PCB-2	C520	C-CERA C	CK725B1H-102K1	1	332101025R1		
PCB-2	C521	C-CERA C	CK725B1H-102K1	1	332101025R1		
PCB-2	C522	C-CERA C	CK725B1H-102K1	1	332101025R1		
PCB-2	C523	C-CERA C	CK725B1H-102K1	1	332101025R1		
PCB-2	C524	C-CERA C	CK725B1H-102K1	1	332101025R1		
PCB-2	C526	C-CERA C	CK725F1E-104Z1	1	332161040R1		
PCB-2	C527	C-CERA C	CK725F1E-104Z1	1	332161040R1		
PCB-2	C528	C-CERA C	CK725F1E-104Z1	1	332161040R1		
PCB-2	C534	C-CERA C	CK725B1H-102K1	1	332101025R1		
PCB-2	C535	C-CERA C	CK725B1H-102K1	1	332101025R1		

PCB-2	C551	C-CERA C	CK725F1E-104Z1	1	332161040R1	
PCB-2	C552	C-CERA C	CK725F1E-104Z1	1	332161040R1	
PCB-2	C604	UTSP C	CE04W50V-4.7M(UTSP)	1	397580477T	
PCB-2	C613	C-CERA C	CK732B1A-105K	1	337361055R2	
PCB-2	C615	C-CERA C	CK725F1E-104Z1	1	332161040R1	
PCB-2	C624	C-CERA C	CK725F1E-104Z1	1	332161040R1	
PCB-2	C625	C-CERA C	CK725F1E-104Z1	1	332161040R1	
PCB-2	C701	C-CERA C	CK725F1E-104Z1	1	332161040R1	
PCB-2	C702	UTSP C	CE04W10V-100M(UTSP)	1	397531017T	
PCB-2	C705	UTSP C	CE04W10V-100M(UTSP)	1	397531017T	
PCB-2	C706	UTSP C	CE04W16V-470M(UTSP)	1	397544717T	
PCB-2	C707	UTSP C	CE04W10V-100M(UTSP)	1	397531017T	
PCB-2	C708	UTSP C	CE04W10V-100M(UTSP)	1	397531017T	
PCB-2	C709	C-CERA C	CK725F1E-104Z1	1	332161040R1	
PCB-2	C744	C-CERA C	CK725F1E-104Z1	1	332161040R1	
PCB-2	C745	C-CERA C	CK725B0J-106K	1	332091065R2	
PCB-2	C747	UTSP C	CE04W50V-10M(UTSP)	1	397581007T	
PCB-2	C751	UTSP C	CE04W50V-0.47M(UTSP)	1	397584797T	
PCB-2	C753	UTSP C	CE04W10V-470M(UTSP)	1	397534717T	
PCB-2	C800	C-CERA C	CK725F1E-104Z1	1	332161040R1	
PCB-2	X101	CRYSTAL	HC-49S 4.332MHz	1	3010469T	<1F>
PCB-2	X171	CRYSTAL	HC-49US24.576MHz	1	3010423T	
PCB-2	X171 or	CRYSTAL	HC-49/U03-24.576M	( 1)	3010314T	
PCB-2	X701	CERA LOCK	CSTCR6M0055-R0	1	3010397R2	
		<b>[RESISTOR]</b>				
PCB-2	R101	METAL O R	RS1/2WBJ-10	1	443521004T	
PCB-2	R103	C-CARBON R	RN72K1J-103JE	1	435031034R1	<1F>
PCB-2	R107	C-CARBON R	RN72K1J-101JE	1	435031014R1	<1F>
PCB-2	R108	C-CARBON R	RN72K1J-101JE	1	435031014R1	<1F>
PCB-2	R110	C-CARBON R	RN72K1J-103JE	1	435031034R1	
PCB-2	R111	C-CARBON R	RN72K1J-105JE	1	435031054R1	
PCB-2	R112	METAL O R	RS1WBJ-22	1	443622204T	
PCB-2	R113	C-CARBON R	RN72K1J-221JE	1	435032214R1	
PCB-2	R114	C-CARBON R	RN72K1J-221JE	1	435032214R1	
PCB-2	R115	C-CARBON R	RN72K1J-333JE	1	435033334R1	
PCB-2	R131	C-CARBON R	RN72K1J-750JE	1	435037504R1	
PCB-2	R133	C-CARBON R	RN72K1J-100JE	1	435031004R1	
PCB-2	R135	C-CARBON R	RN72K1J-224JE	1	435032244R1	

PCB-2	R137	C-CARBON R	RN72K1J-103JE	1	435031034R1		
PCB-2	R139	C-CARBON R	RN72K1J-823JE	1	435038234R1		
PCB-2	R141	C-CARBON R	RN72K1J-470JE	1	435034704R1		
PCB-2	R142	C-CARBON R	RN72K1J-470JE	1	435034704R1		
PCB-2	R143	C-CARBON R	RN72K1J-000JE	1	435030004R1		
PCB-2	R151	C-CARBON R	RN72K1J-103JE	1	435031034R1		
PCB-2	R152	C-CARBON R	RN72K1J-103JE	1	435031034R1		
PCB-2	R153	C-CARBON R	RN72K1J-222JE	1	435032224R1		
PCB-2	R171	C-CARBON R	RN72K1J-105JE	1	435031054R1		
PCB-2	R173	C-CARBON R	RN72K1J-151JE	1	435031514R1		
PCB-2	R181	METAL R	RNU1/2WCJ-4.7	1	453530474T		
PCB-2	R182	METAL R	RNU1/2WCJ-1	1	453530104T		
PCB-2	R301	C-CARBON R	RN72K1J-331JE	1	435033314R1		
PCB-2	R302	C-CARBON R	RN72K1J-331JE	1	435033314R1		
PCB-2	R303	C-CARBON R	RN72K1J-331JE	1	435033314R1		
PCB-2	R304	C-CARBON R	RN72K1J-221JE	1	435032214R1		
PCB-2	R305	C-CARBON R	RN72K1J-470JE	1	435034704R1		
PCB-2	R306	C-CARBON R	RN72K1J-221JE	1	435032214R1		
PCB-2	R307	C-CARBON R	RN72K1J-221JE	1	435032214R1		
PCB-2	R308	C-CARBON R	RN72K1J-470JE	1	435034704R1		
PCB-2	R309	C-CARBON R	RN72K1J-221JE	1	435032214R1		
PCB-2	R311	C-CARBON R	RN72K1J-152JE	1	435031524R1		
PCB-2	R312	C-CARBON R	RN72K1J-470JE	1	435034704R1		
PCB-2	R313	C-CARBON R	RN72K1J-151JE	1	435031514R1		
PCB-2	R314	C-CARBON R	RN72K1J-221JE	1	435032214R1		
PCB-2	R315	C-CARBON R	RN72K1J-470JE	1	435034704R1		
PCB-2	R316	C-CARBON R	RN72K1J-151JE	1	435031514R1		
PCB-2	R317	C-CARBON R	RN72K1J-331JE	1	435033314R1		
PCB-2	R318	C-CARBON R	RN72K1J-331JE	1	435033314R1		
PCB-2	R319	C-CARBON R	RN72K1J-331JE	1	435033314R1		
PCB-2	R320	C-CARBON R	RN72K1J-560JE	1	435035604R1		
PCB-2	R321	C-CARBON R	RN72K1J-560JE	1	435035604R1		
PCB-2	R330	C-CARBON R	RN72K1J-560JE	1	435035604R1		
PCB-2	R331	C-CARBON R	RN72K1J-560JE	1	435035604R1		
PCB-2	R333	C-CARBON R	RN72K1J-331JE	1	435033314R1		
PCB-2	R334	C-CARBON R	RN72K1J-331JE	1	435033314R1		
PCB-2	R336	C-CARBON R	RN72K1J-331JE	1	435033314R1		
PCB-2	R337	C-CARBON R	RN72K1J-331JE	1	435033314R1		

PCB-2	R340	C-CARBON R	RN72K1J-392JE	1	435033924R1		
PCB-2	R341	C-CARBON R	RN72K1J-392JE	1	435033924R1		
PCB-2	R350	C-CARBON R	RN72K1J-103JE	1	435031034R1		
PCB-2	R351	C-CARBON R	RN72K1J-103JE	1	435031034R1		
PCB-2	R360	C-CARBON R	RN72K1J-103JE	1	435031034R1		
PCB-2	R361	C-CARBON R	RN72K1J-103JE	1	435031034R1		
PCB-2	R371	C-CARBON R	RN72K1J-102JE	1	435031024R1		
PCB-2	R400	C-CARBON R	RN72K1J-332JE	1	435033324R1		
PCB-2	R401	C-CARBON R	RN72K1J-332JE	1	435033324R1		
PCB-2	R402	C-CARBON R	RN72K1J-332JE	1	435033324R1		
PCB-2	R403	C-CARBON R	RN72K1J-332JE	1	435033324R1		
PCB-2	R404	C-CARBON R	RN72K1J-332JE	1	435033324R1		
PCB-2	R407	C-CARBON R	RN72K1J-332JE	1	435033324R1		
PCB-2	R408	C-CARBON R	RN72K1J-220JE	1	435032204R1		
PCB-2	R409	C-CARBON R	RN72K1J-220JE	1	435032204R1		
PCB-2	R410	C-CARBON R	RN72K1J-332JE	1	435033324R1		
PCB-2	R411	C-CARBON R	RN72K1J-332JE	1	435033324R1		
PCB-2	R412	C-CARBON R	RN72K1J-332JE	1	435033324R1		
PCB-2	R413	C-CARBON R	RN72K1J-332JE	1	435033324R1		
PCB-2	R414	C-CARBON R	RN72K1J-332JE	1	435033324R1		
PCB-2	R417	C-CARBON R	RN72K1J-332JE	1	435033324R1		
PCB-2	R420	C-CARBON R	RN72K1J-471JE	1	435034714R1		
PCB-2	R421	C-CARBON R	RN72K1J-471JE	1	435034714R1		
PCB-2	R422	C-CARBON R	RN72K1J-471JE	1	435034714R1		
PCB-2	R423	C-CARBON R	RN72K1J-471JE	1	435034714R1		
PCB-2	R424	C-CARBON R	RN72K1J-471JE	1	435034714R1		
PCB-2	R427	C-CARBON R	RN72K1J-471JE	1	435034714R1		
PCB-2	R430	C-CARBON R	RN72K1J-471JE	1	435034714R1		
PCB-2	R431	C-CARBON R	RN72K1J-471JE	1	435034714R1		
PCB-2	R432	C-CARBON R	RN72K1J-471JE	1	435034714R1		
PCB-2	R433	C-CARBON R	RN72K1J-471JE	1	435034714R1		
PCB-2	R434	C-CARBON R	RN72K1J-471JE	1	435034714R1		
PCB-2	R437	C-CARBON R	RN72K1J-471JE	1	435034714R1		
PCB-2	R440	C-CARBON R	RN72K1J-472JE	1	435034724R1		
PCB-2	R441	C-CARBON R	RN72K1J-472JE	1	435034724R1		
PCB-2	R442	C-CARBON R	RN72K1J-472JE	1	435034724R1		
PCB-2	R443	C-CARBON R	RN72K1J-472JE	1	435034724R1		
PCB-2	R444	C-CARBON R	RN72K1J-472JE	1	435034724R1		

PCB-2	R447	C-CARBON R	RN72K1J-472JE	1	435034724R1		
PCB-2	R450	C-CARBON R	RN72K1J-472JE	1	435034724R1		
PCB-2	R451	C-CARBON R	RN72K1J-472JE	1	435034724R1		
PCB-2	R452	C-CARBON R	RN72K1J-472JE	1	435034724R1		
PCB-2	R453	C-CARBON R	RN72K1J-472JE	1	435034724R1		
PCB-2	R454	C-CARBON R	RN72K1J-472JE	1	435034724R1		
PCB-2	R457	C-CARBON R	RN72K1J-472JE	1	435034724R1		
PCB-2	R460	C-CARBON R	RN72K1J-181JE	1	435031814R1		
PCB-2	R461	C-CARBON R	RN72K1J-181JE	1	435031814R1		
PCB-2	R462	C-CARBON R	RN72K1J-181JE	1	435031814R1		
PCB-2	R463	C-CARBON R	RN72K1J-181JE	1	435031814R1		
PCB-2	R464	C-CARBON R	RN72K1J-181JE	1	435031814R1		
PCB-2	R467	C-CARBON R	RN72K1J-181JE	1	435031814R1		
PCB-2	R470	C-CARBON R	RN72K1J-181JE	1	435031814R1		
PCB-2	R471	C-CARBON R	RN72K1J-181JE	1	435031814R1		
PCB-2	R472	C-CARBON R	RN72K1J-181JE	1	435031814R1		
PCB-2	R473	C-CARBON R	RN72K1J-181JE	1	435031814R1		
PCB-2	R474	C-CARBON R	RN72K1J-181JE	1	435031814R1		
PCB-2	R477	C-CARBON R	RN72K1J-181JE	1	435031814R1		
PCB-2	R500	C-CARBON R	RN72K1J-103JE	1	435031034R1		
PCB-2	R501	C-CARBON R	RN72K1J-470JE	1	435034704R1		
PCB-2	R502	C-CARBON R	RN72K1J-470JE	1	435034704R1		
PCB-2	R505	C-CARBON R	RN72K1J-221JE	1	435032214R1		
PCB-2	R506	C-CARBON R	RN72K1J-221JE	1	435032214R1		<1G>
PCB-2	R508	C-CARBON R	RN72K1J-273JE	1	435032734R1		
PCB-2	R509	C-CARBON R	RN72K1J-221JE	1	435032214R1		<1E, 1F, 1G>
PCB-2	R511	C-CARBON R	RN72K1J-103JE	1	435031034R1		
PCB-2	R512	C-CARBON R	RN72K1J-221JE	1	435032214R1		
PCB-2	R513	C-CARBON R	RN72K1J-103JE	1	435031034R1		
PCB-2	R514	C-CARBON R	RN72K1J-221JE	1	435032214R1		
PCB-2	R515	C-CARBON R	RN72K1J-221JE	1	435032214R1		
PCB-2	R516	C-CARBON R	RN72K1J-221JE	1	435032214R1		
PCB-2	R517	C-CARBON R	RN72K1J-103JE	1	435031034R1		
PCB-2	R518	C-CARBON R	RN72K1J-103JE	1	435031034R1		
PCB-2	R519	C-CARBON R	RN72K1J-105JE	1	435031054R1		
PCB-2	R520	C-CARBON R	RN72K1J-221JE	1	435032214R1		
PCB-2	R521	C-CARBON R	RN72K1J-221JE	1	435032214R1		
PCB-2	R522	C-CARBON R	RN72K1J-470JE	1	435034704R1		

PCB-2	R523	C-CARBON R	RN72K1J-221JE	1	435032214R1		
PCB-2	R524	C-CARBON R	RN72K1J-221JE	1	435032214R1		
PCB-2	R525	C-CARBON R	RN72K1J-470JE	1	435034704R1		
PCB-2	R526	C-CARBON R	RN72K1J-221JE	1	435032214R1		
PCB-2	R527	C-CARBON R	RN72K1J-470JE	1	435034704R1		
PCB-2	R528	C-CARBON R	RN72K1J-470JE	1	435034704R1		
PCB-2	R529	C-CARBON R	RN72K1J-470JE	1	435034704R1		
PCB-2	R530	C-CARBON R	RN72K1J-470JE	1	435034704R1		
PCB-2	R535	C-CARBON R	RN72K1J-273JE	1	435032734R1		
PCB-2	R536	C-CARBON R	RN72K1J-103JE	1	435031034R1		
PCB-2	R537	C-CARBON R	RN72K1J-103JE	1	435031034R1		
PCB-2	R538	C-CARBON R	RN72K1J-103JE	1	435031034R1		
PCB-2	R539	C-CARBON R	RN72K1J-103JE	1	435031034R1		
PCB-2	R540	C-CARBON R	RN72K1J-470JE	1	435034704R1		
PCB-2	R541	C-CARBON R	RN72K1J-470JE	1	435034704R1		
PCB-2	R542	C-CARBON R	RN72K1J-103JE	1	435031034R1		
PCB-2	R543	C-CARBON R	RN72K1J-470JE	1	435034704R1		
PCB-2	R544	C-CARBON R	RN72K1J-470JE	1	435034704R1		
PCB-2	R546	C-CARBON R	RN72K1J-470JE	1	435034704R1		
PCB-2	R547	C-CARBON R	RN72K1J-471JE	1	435034714R1		
PCB-2	R548	C-CARBON R	RN72K1J-102JE	1	435031024R1		
PCB-2	R550	C-CARBON R	RN72K1J-470JE	1	435034704R1		
PCB-2	R551	C-CARBON R	RN72K1J-470JE	1	435034704R1		
PCB-2	R552	C-CARBON R	RN72K1J-470JE	1	435034704R1		
PCB-2	R553	C-CARBON R	RN72K1J-470JE	1	435034704R1		
PCB-2	R555	C-CARBON R	RN72K1J-103JE	1	435031034R1		
PCB-2	R556	C-CARBON R	RN72K1J-470JE	1	435034704R1		
PCB-2	R557	C-CARBON R	RN72K1J-470JE	1	435034704R1		
PCB-2	R558	C-CARBON R	RN72K1J-221JE	1	435032214R1		
PCB-2	R559	C-CARBON R	RN72K1J-103JE	1	435031034R1		
PCB-2	R560	C-CARBON R	RN72K1J-470JE	1	435034704R1		
PCB-2	R561	C-CARBON R	RN72K1J-470JE	1	435034704R1		
PCB-2	R562	C-CARBON R	RN72K1J-103JE	1	435031034R1		
PCB-2	R563	C-CARBON R	RN72K1J-221JE	1	435032214R1		
PCB-2	R564	C-CARBON R	RN72K1J-221JE	1	435032214R1		
PCB-2	R565	C-CARBON R	RN72K1J-221JE	1	435032214R1		
PCB-2	R566	C-CARBON R	RN72K1J-221JE	1	435032214R1		
PCB-2	R567	C-CARBON R	RN72K1J-470JE	1	435034704R1		

PCB-2	R568	C-CARBON R	RN72K1J-470JE	1	435034704R1		
PCB-2	R569	C-CARBON R	RN72K1J-470JE	1	435034704R1		
PCB-2	R570	C-CARBON R	RN72K1J-470JE	1	435034704R1		
PCB-2	R571	C-CARBON R	RN72K1J-470JE	1	435034704R1		
PCB-2	R572	C-CARBON R	RN72K1J-221JE	1	435032214R1		
PCB-2	R573	C-CARBON R	RN72K1J-221JE	1	435032214R1		
PCB-2	R574	C-CARBON R	RN72K1J-470JE	1	435034704R1		
PCB-2	R575	C-CARBON R	RN72K1J-103JE	1	435031034R1		
PCB-2	R576	C-CARBON R	RN72K1J-470JE	1	435034704R1		
PCB-2	R577	C-CARBON R	RN72K1J-103JE	1	435031034R1		
PCB-2	R578	C-CARBON R	RN72K1J-221JE	1	435032214R1		
PCB-2	R579	C-CARBON R	RN72K1J-221JE	1	435032214R1		
PCB-2	R580	C-CARBON R	RN72K1J-221JE	1	435032214R1		
PCB-2	R581	C-CARBON R	RN72K1J-221JE	1	435032214R1		
PCB-2	R582	C-CARBON R	RN72K1J-221JE	1	435032214R1		
PCB-2	R583	C-CARBON R	RN72K1J-473JE	1	435034734R1		
PCB-2	R584	C-CARBON R	RN72K1J-221JE	1	435032214R1		
PCB-2	R586	C-CARBON R	RN72K1J-221JE	1	435032214R1		
PCB-2	R587	C-CARBON R	RN72K1J-102JE	1	435031024R1		
PCB-2	R588	C-CARBON R	RN72K1J-273JE	1	435032734R1		
PCB-2	R589	C-CARBON R	RN72K1J-102JE	1	435031024R1		
PCB-2	R590	C-CARBON R	RN72K1J-273JE	1	435032734R1		
PCB-2	R591	C-CARBON R	RN72K1J-102JE	1	435031024R1		
PCB-2	R592	C-CARBON R	RN72K1J-103JE	1	435031034R1		
PCB-2	R593	C-CARBON R	RN72K1J-102JE	1	435031024R1		
PCB-2	R594	C-CARBON R	RN72K1J-102JE	1	435031024R1		
PCB-2	R595	C-CARBON R	RN72K1J-470JE	1	435034704R1		
PCB-2	R596	C-CARBON R	RN72K1J-102JE	1	435031024R1		
PCB-2	R597	C-CARBON R	RN72K1J-103JE	1	435031034R1		
PCB-2	R598	C-CARBON R	RN72K1J-101JE	1	435031014R1		<1E, 1F, 1G>
PCB-2	R599	C-CARBON R	RN72K1J-221JE	1	435032214R1		
PCB-2	R600	C-CARBON R	RN72K1J-470JE	1	435034704R1		
PCB-2	R601	C-CARBON R	RN72K1J-221JE	1	435032214R1		
PCB-2	R602	C-CARBON R	RN72K1J-221JE	1	435032214R1		
PCB-2	R603	C-CARBON R	RN72K1J-221JE	1	435032214R1		
PCB-2	R604	C-CARBON R	RN72K1J-221JE	1	435032214R1		
PCB-2	R605	C-CARBON R	RN72K1J-470JE	1	435034704R1		
PCB-2	R606	C-CARBON R	RN72K1J-222JE	1	435032224R1		

PCB-2	R607	C-CARBON R	RN72K1J-470JE	1	435034704R1	
PCB-2	R608	C-CARBON R	RN72K1J-222JE	1	435032224R1	
PCB-2	R609	C-CARBON R	RN72K1J-472JE	1	435034724R1	
PCB-2	R610	C-CARBON R	RN72K1J-472JE	1	435034724R1	
PCB-2	R611	C-CARBON R	RN72K1J-472JE	1	435034724R1	
PCB-2	R612	C-CARBON R	RN72K1J-272JE	1	435032724R1	
PCB-2	R613	C-CARBON R	RN72K1J-472JE	1	435034724R1	
PCB-2	R614	C-CARBON R	RN72K1J-272JE	1	435032724R1	
PCB-2	R615	C-CARBON R	RN72K1J-472JE	1	435034724R1	
PCB-2	R616	C-CARBON R	RN72K1J-272JE	1	435032724R1	
PCB-2	R617	C-CARBON R	RN72K1J-472JE	1	435034724R1	
PCB-2	R618	C-CARBON R	RN72K1J-272JE	1	435032724R1	
PCB-2	R619	C-CARBON R	RN72K1J-470JE	1	435034704R1	
PCB-2	R620	C-CARBON R	RN72K1J-473JE	1	435034734R1	
PCB-2	R700	C-CARBON R	RN72K1J-103JE	1	435031034R1	<1F, 1G>
PCB-2	R701	C-CARBON R	RN72K1J-000JE	1	435030004R1	<1E>
PCB-2	R701	C-CARBON R	RN72K1J-103JE	1	435031034R1	<1F>
PCB-2	R702	C-CARBON R	RN72K1J-103JE	1	435031034R1	<1E, 1F, 1G>
PCB-2	R704	C-CARBON R	RN72K1J-103JE	1	435031034R1	<1E, 1F, 1G>
PCB-2	R707	C-CARBON R	RN72K1J-000JE	1	435030004R1	<1E, 1F, 1G>
PCB-2	R711	C-CARBON R	RN72K1J-470JE	1	435034704R1	
PCB-2	R712	C-CARBON R	RN72K1J-102JE	1	435031024R1	
PCB-2	R713	C-CARBON R	RN72K1J-222JE	1	435032224R1	
PCB-2	R714	C-CARBON R	RN72K1J-103JE	1	435031034R1	
PCB-2	R721	C-CARBON R	RN72K1J-103JE	1	435031034R1	
PCB-2	R722	C-CARBON R	RN72K1J-224JE	1	435032244R1	
PCB-2	R723	C-CARBON R	RN72K1J-101JE	1	435031014R1	
PCB-2	R724	C-CARBON R	RN72K1J-101JE	1	435031014R1	
PCB-2	R761	C-CARBON R	RN72K1J-103JE	1	435031034R1	
PCB-2	R771	C-CARBON R	RN72K1J-103JE	1	435031034R1	
PCB-2	R805	C-CARBON R	RN72K1J-000JE	1	435030004R1	
PCB-2	R807	C-CARBON R	RN72K1J-000JE	1	435030004R1	<1E, 1F, 1G>
PCB-2	R809	C-CARBON R	RN72K1J-000JE	1	435030004R1	<1E, 1F, 1G>
PCB-2	R811	C-CARBON R	RN72K1J-000JE	1	435030004R1	<1E, 1F, 1G>
PCB-2	R813	C-CARBON R	RN72K1J-000JE	1	435030004R1	<1E, 1F, 1G>
PCB-2	R814	C-CARBON R	RN72K1J-000JE	1	435030004R1	
PCB-2	R815	C-CARBON R	RN72K1J-000JE	1	435030004R1	
PCB-2	R820	C-CARBON R	RN72K1J-000JE	1	435030004R1	<1E, 1F, 1G>

	[SW TRM]					
PCB-2	JL901B	WIRE TRAP	NPLG-5P588	1	25055626	
PCB-2	P101A	SOCKET	NSCT-11P2104	1	25052207	
PCB-2	P131	PIN JACK	NPJ-1PDO554	1	25045772	<1E, 1F, 1G>
PCB-2	P2001A	SOCKET	IMSA-9142S-26A	1	25053235	
PCB-2	P5501A	SOCKET	NSCT-7P2187	1	25052290	
PCB-2	P5502A	SOCKET	NSCT-15P2195	1	25052298	
PCB-2	P5503A	SOCKET	NSCT-9P2189	1	25052292	
PCB-2	P5504A	SOCKET	NSCT-9P2189	1	25052292	<1E, 1F, 1G>
PCB-2	P701A	SOCKET	NSCT-33P2126	1	25052229	<1E, 1F, 1G>
PCB-2	P751A	SOCKET	IMSA-9618S-09A	1	25053334R2	
PCB-2	P8001A	PLUG	IMSA-9111B-24	1	25056625	

- U003** DISPLAY PC BOARD (BADIS-0036-1D/1E/1F)
- U00031** DISPLAY PC BOARD (BADIS-0036-1D/1E/1F)
- U00032** VIDEO PC BOARD (BAVD-0036-1D/1E/1F)
- U00033** POWER SUPPLY PC BOARD (BAPS-0039-1D/1E/1F)
- U00034** HP JACK PC BOARD (BAETC-0040-1D/1E/1F)

	CIRCUIT. N	PART NAME	DESCRIPTION	Q'TY	PART NO. (SN)	REMARKS
		[TUNER UNIT]				
PCB-3	U7042	REMO SENS	NJL34H380A	1	241365	
		[SEMI CONDUCTOR]				
PCB-3	D7002	ZENER D	UDZS8.2B	1	224550820R2	
PCB-3	D7033	ZENER D	UDZS3.9B	1	224550390R2	
PCB-3	D7152	LED	SLI-343URC-TE7	1	225449T	
PCB-3	D9001	DIODE	RL1N4003	1	22380260T	
PCB-3	D9005	ZENER D	UDZS36B	1	224553600R2	
PCB-3	D9011	DIODE	D5SBA20	1	22380130F	<1D, 1E, 1F>
PCB-3	D9014	C-DIODE	KDS4148U	1	223283R2	
PCB-3	D9014 or	C-DIODE	1SS352	( 1)	223234R2	
PCB-3	D9014 or	C-DIODE	MA2J111	( 1)	223279R2	
PCB-3	D9015	C-DIODE	KDS4148U	1	223283R2	
PCB-3	D9015 or	C-DIODE	1SS352	( 1)	223234R2	
PCB-3	D9015 or	C-DIODE	MA2J111	( 1)	223279R2	
PCB-3	D9016	ZENER D	UDZS6.2B	1	224550620R2	<1D, 1E>
PCB-3	D9016	ZENER D	UDZS6.8B	1	224550680R2	<1F>

PCB-3	D9023	C-DIODE	KDS4148U	1	223283R2	
PCB-3	D9023 or	C-DIODE	1SS352	( 1)	223234R2	
PCB-3	D9023 or	C-DIODE	MA2J111	( 1)	223279R2	
PCB-3	D911	C-DIODE	KDS4148U	1	223283R2	
PCB-3	D911 or	C-DIODE	1SS352	( 1)	223234R2	
PCB-3	D911 or	C-DIODE	MA2J111	( 1)	223279R2	
PCB-3	D912	C-DIODE	KDS4148U	1	223283R2	
PCB-3	D912 or	C-DIODE	1SS352	( 1)	223234R2	
PCB-3	D912 or	C-DIODE	MA2J111	( 1)	223279R2	
PCB-3	D921	C-DIODE	KDS4148U	1	223283R2	
PCB-3	D921 or	C-DIODE	1SS352	( 1)	223234R2	
PCB-3	D921 or	C-DIODE	MA2J111	( 1)	223279R2	
PCB-3	D922	C-DIODE	KDS4148U	1	223283R2	
PCB-3	D922 or	C-DIODE	1SS352	( 1)	223234R2	
PCB-3	D922 or	C-DIODE	MA2J111	( 1)	223279R2	
PCB-3	D923	C-DIODE	KDS4148U	1	223283R2	
PCB-3	D923 or	C-DIODE	1SS352	( 1)	223234R2	
PCB-3	D923 or	C-DIODE	MA2J111	( 1)	223279R2	
PCB-3	D924	C-DIODE	KDS4148U	1	223283R2	
PCB-3	D924 or	C-DIODE	1SS352	( 1)	223234R2	
PCB-3	D924 or	C-DIODE	MA2J111	( 1)	223279R2	
PCB-3	D925	C-DIODE	KDS4148U	1	223283R2	
PCB-3	D925 or	C-DIODE	1SS352	( 1)	223234R2	
PCB-3	D925 or	C-DIODE	MA2J111	( 1)	223279R2	
PCB-3	D930	C-DIODE	KDS4148U	1	223283R2	
PCB-3	D930 or	C-DIODE	1SS352	( 1)	223234R2	
PCB-3	D930 or	C-DIODE	MA2J111	( 1)	223279R2	
PCB-3	D931	C-DIODE	KDS4148U	1	223283R2	
PCB-3	D931 or	C-DIODE	1SS352	( 1)	223234R2	
PCB-3	D931 or	C-DIODE	MA2J111	( 1)	223279R2	
PCB-3	D933	C-DIODE	KDS4148U	1	223283R2	
PCB-3	D933 or	C-DIODE	1SS352	( 1)	223234R2	
PCB-3	D933 or	C-DIODE	MA2J111	( 1)	223279R2	
PCB-3	D934	ZENER D	UDZS5.6B	1	224550560R2	<1D, 1E, 1F>
PCB-3	D935	C-DIODE	KDS4148U	1	223283R2	
PCB-3	D935 or	C-DIODE	1SS352	( 1)	223234R2	
PCB-3	D935 or	C-DIODE	MA2J111	( 1)	223279R2	
PCB-3	Q3002	IC	NJW1326FH2	1	22242583R3	N

PCB-3	Q7002	FL TUBE	16-BT-138GNK	1	212268		
PCB-3	Q7002A	HOLDER	(FL)	1	27191222C		
PCB-3	Q7003	IC	M66005-0001AHP	1	22242208R3		
PCB-3	Q7004	TR	KTC3875-GR	1	2216175R2		
PCB-3	Q7033	TR	KTC3875-GR	1	2216175R2		
PCB-3	Q9001	TR	2SC2235-Y(TPE6_F)	1	2211654T		
PCB-3	Q9001 or	TR	2SC2235-O(TPE6_F)	( 1)	2211653T		
PCB-3	Q9022	IC	78M05(NJM78M05FA)	1	222780055JRC		
PCB-3	Q9022 or	IC	78M05AHF(MPC78M05AHF)	( 1)	222780055NEC		
PCB-3	Q9022A	SCREW	3P+10FN(3BC)	1	82143010GR		
PCB-3	Q9022B	HEAT SINK	RAD-157	1	27160491		
PCB-3	Q9031	IC	MPC2905BHF	1	22278005DBNE		
PCB-3	Q9031A	SCREW	3P+10FN(3BC)	1	82143010GR		
PCB-3	Q9031B	HEAT SINK	RAD-140	1	27160471		
<b>[TRANS COIL]</b>							
PCB-3	L7031	CHOKE COIL	LBC2518T2R2M	1	231364M022R2		
PCB-3	L7201	CHOKE COIL	LBC2518T2R2M	1	231364M022R2		
PCB-3	L7202	CHOKE COIL	LBC2518T2R2M	1	231364M022R2		
PCB-3	L7203	CHOKE COIL	LBC2518T2R2M	1	231364M022R2		
PCB-3	T902	P TRANS	NPT-1520JQ	1	2301812A	<1D>	
PCB-3	T902	P TRANS	NPT-1520GQ	1	2301813A	<1E, 1F>	
<b>[CAPACITOR]</b>							
PCB-3	C3001	VR C	CE04W6.3V-470M(VR)	1	394624717T		
PCB-3	C3002	C-CERA C	CK725F1E-104Z1	1	332161040R1		
PCB-3	C3004	VR C	CE04W6.3V-470M(VR)	1	394624717T		
PCB-3	C3007	VR C	CE04W6.3V-470M(VR)	1	394624717T		
PCB-3	C3011	VR C	CE04W6.3V-470M(VR)	1	394624717T		
PCB-3	C3012	C-CERA C	CK725F1E-104Z1	1	332161040R1		
PCB-3	C3013	VR C	CE04W6.3V-470M(VR)	1	394624717T		
PCB-3	C3021	VR C	CE04W6.3V-470M(VR)	1	394624717T		
PCB-3	C3024	VR C	CE04W6.3V-470M(VR)	1	394624717T		
PCB-3	C3031	C-CERA C	CK725B1H-102K1	1	332101025R1		
PCB-3	C3032	C-CERA C	CK725B1H-102K1	1	332101025R1		
PCB-3	C3033	VR C	CE04W50V-10M(VR)	1	394681007T		
PCB-3	C3036	VR C	CE04W50V-10M(VR)	1	394681007T		
PCB-3	C3040	VR C	CE04W50V-10M(VR)	1	394681007T		
PCB-3	C3043	C-CERA C	CK725B1H-102K1	1	332101025R1		
PCB-3	C3044	VR C	CE04W50V-1M(VR)	1	394680107T		

PCB-3	C3045	VR C	CE04W50V-1M(VR)	1	394680107T	
PCB-3	C3046	VR C	CE04W50V-1M(VR)	1	394680107T	
PCB-3	C3047	VR C	CE04W50V-1M(VR)	1	394680107T	
PCB-3	C3048	VR C	CE04W50V-1M(VR)	1	394680107T	
PCB-3	C3049	VR C	CE04W50V-1M(VR)	1	394680107T	
PCB-3	C3061	VR C	CE04W50V-10M(VR)	1	394681007T	
PCB-3	C3085	C-CERA C	CK725F1A-105Z1	1	332181050R1	
PCB-3	C3086	C-CERA C	CK725F1A-105Z1	1	332181050R1	
PCB-3	C3087	C-CERA C	CK725F1A-105Z1	1	332181050R1	
PCB-3	C3088	C-CERA C	CK725F1A-105Z1	1	332181050R1	<1D, 1E, 1F>
PCB-3	C3089	C-CERA C	CK725F1A-105Z1	1	332181050R1	<1D, 1E, 1F>
PCB-3	C3091	C-CERA C	CK725F1A-105Z1	1	332181050R1	
PCB-3	C3092	C-CERA C	CK725F1A-105Z1	1	332181050R1	
PCB-3	C3093	C-CERA C	CK725F1A-105Z1	1	332181050R1	
PCB-3	C3094	C-CERA C	CK725F1A-105Z1	1	332181050R1	
PCB-3	C3095	C-CERA C	CK725F1A-105Z1	1	332181050R1	
PCB-3	C3096	C-CERA C	CK725F1A-105Z1	1	332181050R1	
PCB-3	C3097	C-CERA C	CK725F1A-105Z1	1	332181050R1	
PCB-3	C3098	C-CERA C	CK725F1A-105Z1	1	332181050R1	
PCB-3	C3099	C-CERA C	CK725F1A-105Z1	1	332181050R1	
PCB-3	C7001	C-CERA C	CK725B1H-223K1	1	332102235R1	
PCB-3	C7002	C-CERA C	CK725F1E-104Z1	1	332161040R1	
PCB-3	C7003	C-CERA C	CC725CH1H-101J1	1	342101014R1	
PCB-3	C7004	C-CERA C	CC725CH1H-101J1	1	342101014R1	
PCB-3	C7005	C-CERA C	CC725CH1H-101J1	1	342101014R1	
PCB-3	C7007	C-CERA C	CC725CH1H-101J1	1	342101014R1	
PCB-3	C7008	ELECT C	CE04W6.3V-100M	1	355721019T	
PCB-3	C7009	C-CERA C	CK725F1E-104Z1	1	332161040R1	
PCB-3	C7010	C-CERA C	CK725B1H-223K1	1	332102235R1	
PCB-3	C7011	C-CERA C	CK725B1H-223K1	1	332102235R1	
PCB-3	C7012	C-CERA C	CK725B1H-223K1	1	332102235R1	
PCB-3	C7013	ELECT C	CE04W50V-33M	1	355783309T	
PCB-3	C7014	C-CERA C	CK725B1H-223K1	1	332102235R1	
PCB-3	C7015	ELECT C	CE04W16V-47M(S)	1	353744709T	
PCB-3	C7016	C-CERA C	CK725B1H-223K1	1	332102235R1	
PCB-3	C7017	C-CERA C	CK725B1H-223K1	1	332102235R1	
PCB-3	C7021	C-CERA C	CK725B1H-103K1	1	332101035R1	
PCB-3	C7022	C-CERA C	CK725B1H-103K1	1	332101035R1	

PCB-3	C7031	C-CERA C	CK725B1H-223K1	1	332102235R1		
PCB-3	C7032	C-CERA C	CK725B1H-223K1	1	332102235R1		
PCB-3	C7033	ELECT C	CE04W16V-10M(S)	1	353741009T		
PCB-3	C7045	ELECT C	CE04W6.3V-100M(S)	1	353721019T		
PCB-3	C7046	C-CERA C	CC725CH1H-102J1	1	342101024R1		
PCB-3	C7047	C-CERA C	CC725CH1H-102J1	1	342101024R1		
PCB-3	C7201	C-CERA C	CC725CH1H-102J1	1	342101024R1		
PCB-3	C7202	C-CERA C	CK725B1H-223K1	1	332102235R1		<1D, 1E, 1F>
PCB-3	C7203	MKT C	B32529C0102J289	1	376491024T		<1D, 1E, 1F>
PCB-3	C7204	MKT C	B32529C0102J289	1	376491024T		<1D, 1E, 1F>
PCB-3	C7301	C-CERA C	CC725CH1H-471J1	1	342104714R1		
PCB-3	C7302	C-CERA C	CC725CH1H-471J1	1	342104714R1		
PCB-3	C7303	C-CERA C	CK725F1E-104Z1	1	332161040R1		
PCB-3	C7305	C-CERA C	CK725F1E-104Z1	1	332161040R1		
PCB-3	C9001	VR C	CE04W63V-470M(VR)	1	394674717S		
PCB-3	C9005	VR C	CE04W50V-47M(VR)	1	394684707T		
PCB-3	C9006	C-CERA C	CK725F1E-104Z1	1	332161040R1		
PCB-3	C901	IS C	LE103-C3.5	1	3800042S		
PCB-3	C901 or	IS C	ECQU2A103MLC	( 1)	3800039S		
PCB-3	C9011	VR C	CE04W16V-10000M(VR)	1	394641037S		
PCB-3	C9012	TF C	ECQ-V50V-334J	1	374723344T		
PCB-3	C9013	VR C	CE04W50V-2.2M(VR)	1	394680227T		
PCB-3	C9014	VR C	CE04W50V-1M(VR)	1	394680107T		
PCB-3	C902	C-CERA C	CK725F1E-104Z1	1	332161040R1		
PCB-3	C9023	VR C	CE04W50V-10M(VR)	1	394681007T		
PCB-3	C9025	VR C	CE04W6.3V-470M(VR)	1	394624717T		
PCB-3	C9030	VR C	CE04W25V-220M(VR)	1	394652217T		
PCB-3	C9031	C-CERA C	CK725F1E-104Z1	1	332161040R1		
PCB-3	C9032	VR C	CE04W6.3V-470M(VR)	1	394624717T		
PCB-3	C911	C-CERA C	CC725CH1H-102J1	1	342101024R1		<1D, 1E, 1F>
PCB-3	C921	C-CERA C	CK725B1H-223K1	1	332102235R1		
PCB-3	C922	VR C	CE04W25V-2200M(VR)	1	394652227S		
PCB-3	C930	UTSP C	CE04W50V-100M(UTSP)	1	397581017T		
PCB-3	C933	UTSP C	CE04W50V-4.7M(UTSP)	1	397580477T		
		<b>[RESISTOR]</b>					
PCB-3	R2004	C-CARBON R	RN72K1J-000JE	1	435030004R1		
PCB-3	R2005	C-CARBON R	RN72K1J-000JE	1	435030004R1		
PCB-3	R2007	C-CARBON R	RN72K1J-000JE	1	435030004R1		

PCB-3	R2009	C-CARBON R	RN72K1J-000JE	1	435030004R1		
PCB-3	R2010	C-CARBON R	RN72K1J-000JE	1	435030004R1		
PCB-3	R2014	C-CARBON R	RN72K1J-000JE	1	435030004R1		
PCB-3	R3011	C-CARBON R	RN72K1J-750JE	1	435037504R1		
PCB-3	R3014	C-CARBON R	RN72K1J-750JE	1	435037504R1		
PCB-3	R3017	C-CARBON R	RN72K1J-750JE	1	435037504R1		
PCB-3	R3020	C-CARBON R	RN72K1J-750JE	1	435037504R1		
PCB-3	R3021	C-CARBON R	RN72K1J-750JE	1	435037504R1		
PCB-3	R3023	C-CARBON R	RN72K1J-750JE	1	435037504R1		
PCB-3	R3026	C-CARBON R	RN72K1J-750JE	1	435037504R1		
PCB-3	R3027	C-CARBON R	RN72K1J-750JE	1	435037504R1		
PCB-3	R3028	C-CARBON R	RN72K1J-750JE	1	435037504R1		
PCB-3	R3029	C-CARBON R	RN72K1J-750JE	1	435037504R1		
PCB-3	R3030	C-CARBON R	RN72K1J-750JE	1	435037504R1		
PCB-3	R3038	METAL R	RNU1/2WCJ-1	1	453530104T		
PCB-3	R3041	C-CARBON R	RN72K1J-750JE	1	435037504R1		
PCB-3	R3042	C-CARBON R	RN72K1J-750JE	1	435037504R1		
PCB-3	R3043	C-CARBON R	RN72K1J-750JE	1	435037504R1		
PCB-3	R3089	C-CARBON R	RN72K1J-750JE	1	435037504R1		
PCB-3	R7001	C-CARBON R	RN72K1J-103JE	1	435031034R1		
PCB-3	R7002	C-CARBON R	RN72K1J-332JE	1	435033324R1		
PCB-3	R7003	C-CARBON R	RN72K1J-332JE	1	435033324R1		
PCB-3	R7004	C-CARBON R	RN72K1J-221JE	1	435032214R1		
PCB-3	R7005	C-CARBON R	RN72K1J-221JE	1	435032214R1		
PCB-3	R7006	C-CARBON R	RN72K1J-103JE	1	435031034R1		
PCB-3	R7007	C-CARBON R	RN72K1J-221JE	1	435032214R1		
PCB-3	R7008	C-CARBON R	RN72K1J-221JE	1	435032214R1		
PCB-3	R7021	C-CARBON R	RN72K1J-103JE	1	435031034R1		
PCB-3	R7022	C-CARBON R	RN72K1J-103JE	1	435031034R1		
PCB-3	R7023	C-CARBON R	RN72K1J-103JE	1	435031034R1		
PCB-3	R7024	C-CARBON R	RN72K1J-103JE	1	435031034R1		
PCB-3	R7033	C-CARBON R	RN72K1J-820JE	1	435038204R1		
PCB-3	R7045	C-CARBON R	RN72K1J-101JE	1	435031014R1		
PCB-3	R7046	C-CARBON R	RN72K1J-102JE	1	435031024R1		
PCB-3	R7101	C-CARBON R	RN72K1J-331JE	1	435033314R1		
PCB-3	R7102	C-CARBON R	RN72K1J-471JE	1	435034714R1		
PCB-3	R7103	C-CARBON R	RN72K1J-561JE	1	435035614R1		
PCB-3	R7107	C-CARBON R	RN72K1J-331JE	1	435033314R1		

PCB-3	R7108	C-CARBON R	RN72K1J-471JE	1	435034714R1		
PCB-3	R7109	C-CARBON R	RN72K1J-561JE	1	435035614R1		
PCB-3	R7110	C-CARBON R	RN72K1J-821JE	1	435038214R1		
PCB-3	R7111	C-CARBON R	RN72K1J-122JE	1	435031224R1		
PCB-3	R7112	C-CARBON R	RN72K1J-222JE	1	435032224R1		
PCB-3	R7113	C-CARBON R	RN72K1J-392JE	1	435033924R1		
PCB-3	R7114	C-CARBON R	RN72K1J-123JE	1	435031234R1		
PCB-3	R7115	C-CARBON R	RN72K1J-331JE	1	435033314R1		
PCB-3	R7116	C-CARBON R	RN72K1J-471JE	1	435034714R1		
PCB-3	R7117	C-CARBON R	RN72K1J-561JE	1	435035614R1		
PCB-3	R7118	C-CARBON R	RN72K1J-821JE	1	435038214R1		
PCB-3	R7119	C-CARBON R	RN72K1J-122JE	1	435031224R1		
PCB-3	R7120	C-CARBON R	RN72K1J-222JE	1	435032224R1		
PCB-3	R7121	C-CARBON R	RN72K1J-392JE	1	435033924R1		
PCB-3	R7122	C-CARBON R	RN72K1J-123JE	1	435031234R1		
PCB-3	R7123	C-CARBON R	RN72K1J-331JE	1	435033314R1		
PCB-3	R7124	C-CARBON R	RN72K1J-471JE	1	435034714R1		
PCB-3	R7125	C-CARBON R	RN72K1J-561JE	1	435035614R1		
PCB-3	R7126	C-CARBON R	RN72K1J-821JE	1	435038214R1		
PCB-3	R7127	C-CARBON R	RN72K1J-122JE	1	435031224R1		
PCB-3	R7128	C-CARBON R	RN72K1J-222JE	1	435032224R1		
PCB-3	R7129	C-CARBON R	RN72K1J-392JE	1	435033924R1		
PCB-3	R7151	C-CARBON R	RN72K1J-222JE	1	435032224R1		
PCB-3	R7301	C-CARBON R	RN72K1J-331JE	1	435033314R1		
PCB-3	R7302	C-CARBON R	RN72K1J-331JE	1	435033314R1		
PCB-3	R7304	C-CARBON R	RN72K1J-000JE	1	435030004R1		<1D, 1E, 1F>
PCB-3	R9001	METAL O R	RS1WBJ-220	1	443622214T		
PCB-3	R9002	C-CARBON R	RN72K1J-822JE	1	435038224R1		
PCB-3	R9003	C-CARBON R	RN72K1J-822JE	1	435038224R1		
PCB-3	R9004	C-CARBON R	RN72K1J-333JE	1	435033334R1		
PCB-3	R9010	METAL O R	RS1/2WBJ-82	1	443528204T		<1D, 1E, 1F>
PCB-3	R9012	METAL R	RNU1/2WCJ-1	1	453530104T		
PCB-3	R9013	METAL R	RNU1/2WCJ-1	1	453530104T		
PCB-3	R9014	C-CARBON R	RN72K1J-104JE	1	435031044R1		
PCB-3	R9029	METAL R	RNU1WCJ-0.22	1	453632294T		
PCB-3	R9030	METAL O R	RS1WBJ-8.2	1	441620824F		<1D, 1E>
PCB-3	R9030	METAL O R	RS2WBJ-15	1	442721504F		<1F>
PCB-3	R9031	METAL R	RNU2WCJ-3.3	1	452730334F		

PCB-3	R9032	METAL R	RNU2WCJ-3.3	1	452730334F	
PCB-3	R9033	METAL R	RNU1/2WCJ-1	1	453530104T	
PCB-3	R921	METAL O R	RS1/2WBJ-47	1	443524704T	
PCB-3	R934	C-CARBON R	RN72K1J-104JE	1	435031044R1	
	[SW TRM]					
PCB-3	E7202	TRM-423(SCREW)	NEJITANSI ST3	1	25060495	<1D, 1E, 1F>
PCB-3	E7301A	RETAINER	(EARTH)	1	27142136A	<1D, 1E, 1F>
PCB-3	E9001	TRM-423(SCREW)	NEJITANSI ST3	1	25060495	
PCB-3	E9003	TRM-423(SCREW)	NEJITANSI ST3	1	25060495	
PCB-3	E901	TRM-423(SCREW)	NEJITANSI ST3	1	25060495	
PCB-3	E902	TRM-423(SCREW)	NEJITANSI ST3	1	25060495	
PCB-3	F901C	FUSE HOL	NSCT-1P2031	1	25052133T	<1D, 1E, 1F>
PCB-3	F901D	FUSE HOL	NSCT-1P2031	1	25052133T	<1D, 1E, 1F>
PCB-3	F901E	LABEL	LABEL	1	29360842	<1D>
PCB-3	F901E	LABEL	T4AL250V	1	29361732A	<1E, 1F>
PCB-3	JL6605B	SOCKET	NSCT-5P97	1	25050269	
PCB-3	JL7101A	WIRE HOL	NSCT-9P900	1	25051113	
PCB-3	JL7101B	WIRE HOL	NSCT-9P900	1	25051113	
PCB-3	JL8001A	WIRE HOL	NSCT-5P876	1	25051089	
PCB-3	JL901A	WIRE HOL	NSCT-5P876	1	25051089	
PCB-3	JL9101B	SOCKET	NSCT-7P99	1	25050271	
PCB-3	P002	PWB	BCDIS-0036	1	25140036D	N
PCB-3	P2001B	PLUG	IMSA-9142B-26A	1	25056603	
PCB-3	P3001	PIN JACK	NPJ-3PDYYY560	1	25045778	
PCB-3	P3002	PIN JACK	NPJ-2PDYY679	1	25045911	<1D, 1E, 1F>
PCB-3	P3005	PIN JACK	NPJ-9PDGLRGLRGLR563	1	25045781	
PCB-3	P3005 or	PIN JACK	NPJ-9PDGLR519	( 1)	25045731	
PCB-3	P701B	SOCKET	NSCT-33P2163	1	25052266	
PCB-3	P7201	ST JACK	MSJ-064-05A SR	1	25045783	
PCB-3	P7201 or	ST JACK	YKB21-5005	( 1)	25045724	
PCB-3	P7311	ST JACK	MSJ-035-05A BAG SR LF	1	25045927	<1D, 1E, 1F>
PCB-3	P901A	PLUG	NPLG-2P631	1	25055675	<1D, 1E, 1F>
PCB-3	P901Aor	PLUG	1-1123724-2	( 1)	25056402	<1D, 1E, 1F>
PCB-3	P911	PLUG	NPLG-2P631	1	25055675	<1D, 1E>
PCB-3	P911 or	PLUG	1-1123724-2	( 1)	25056402	<1D, 1E>
PCB-3	P912	PLUG	B5P9-VH	1	25056568	<1F>
PCB-3	P912 or	PLUG	1-1123724-5	( 1)	25056579	<1F>
PCB-3	RL901	RELAY	NRL-1P5A-DC9-179	1	25065669	<1D, 1E, 1F>

PCB-3	S7002	R ENCODE	EC12E2425WITH WASHER	1	25065655W		
PCB-3	S7102	PUSH SW	NPS-111-S681	1	25035718T		
PCB-3	S7104	PUSH SW	NPS-111-S681	1	25035718T		
PCB-3	S7108	PUSH SW	NPS-111-S681	1	25035718T		
PCB-3	S7110	PUSH SW	NPS-111-S681	1	25035718T		<1D, 1E, 1F>
PCB-3	S7113	PUSH SW	NPS-111-S681	1	25035718T		<1D, 1E, 1F>
PCB-3	S7115	PUSH SW	NPS-111-S681	1	25035718T		<1D, 1E, 1F>
PCB-3	S7117	PUSH SW	NPS-111-S681	1	25035718T		<1D, 1E, 1F>
PCB-3	S7119	PUSH SW	NPS-111-S681	1	25035718T		<1D, 1E, 1F>
PCB-3	S7121	PUSH SW	NPS-111-S681	1	25035718T		<1D, 1E, 1F>
PCB-3	S7125	PUSH SW	NPS-111-S681	1	25035718T		<1D, 1E, 1F>
PCB-3	S7127	PUSH SW	NPS-111-S681	1	25035718T		<1D, 1E, 1F>
PCB-3	S7129	PUSH SW	NPS-111-S681	1	25035718T		<1D, 1E, 1F>
PCB-3	S7132	PUSH SW	NPS-111-S681	1	25035718T		
PCB-3	S7134	PUSH SW	NPS-111-S681	1	25035718T		
PCB-3	S7136	PUSH SW	NPS-111-S681	1	25035718T		
PCB-3	S7138	PUSH SW	NPS-111-S681	1	25035718T		
PCB-3	S7140	PUSH SW	NPS-111-S681	1	25035718T		
PCB-3	S7142	PUSH SW	NPS-111-S681	1	25035718T		
PCB-3	S7144	PUSH SW	NPS-111-S681	1	25035718T		
PCB-3	S7146	PUSH SW	NPS-111-S681	1	25035718T		
PCB-3	S7148	PUSH SW	NPS-111-S681	1	25035718T		
PCB-3	S7150	PUSH SW	NPS-111-S681	1	25035718T		
PCB-3	S7152	PUSH SW	NPS-111-S681	1	25035718T		
PCB-3	S7154	PUSH SW	NPS-111-S681	1	25035718T		
PCB-3	S7156	PUSH SW	NPS-111-S681	1	25035718T		
PCB-3	S7158	PUSH SW	NPS-111-S681	1	25035718T		
PCB-3	S7160	PUSH SW	NPS-111-S681	1	25035718T		
PCB-3	S7162	PUSH SW	NPS-111-S681	1	25035718T		
PCB-3	S7164	PUSH SW	NPS-111-S681	1	25035718T		

**U0004 HDMI PC BOARD (NAHDM-0058-1A)**

CIRCUIT.	NC	PART NAME	DESCRIPTION	Q'TY	PART NO. (SN)	REMARKS
<b>[SEMI CONDUCTOR]</b>						
PCB-4	D8801	C-DIODE	1SS355	1	223269R2	
PCB-4	D8801 or	C-DIODE	1SS352	( 1)	223234R2	

PCB-4	D8801 or	C-DIODE	MA2J111	( 1)	223279R2		
PCB-4	D8801 or	C-DIODE	KDS4148U	( 1)	223283R2		
PCB-4	D8802	C-DIODE	CRS09(TE85L_Q)	1	223274R2		
PCB-4	D8803	C-DIODE	1SR154-400	1	22380284R2		
PCB-4	D8804	C-DIODE	1SS355	1	223269R2		
PCB-4	D8804 or	C-DIODE	1SS352	( 1)	223234R2		
PCB-4	D8804 or	C-DIODE	MA2J111	( 1)	223279R2		
PCB-4	D8804 or	C-DIODE	KDS4148U	( 1)	223283R2		
PCB-4	D8805	C-DIODE	1SS355	1	223269R2		
PCB-4	D8805 or	C-DIODE	1SS352	( 1)	223234R2		
PCB-4	D8805 or	C-DIODE	MA2J111	( 1)	223279R2		
PCB-4	D8805 or	C-DIODE	KDS4148U	( 1)	223283R2		
PCB-4	Q201	IC	D788E001BRFP266Z	1	22242502R3		
PCB-4	Q202	IC	TC7WU04FU(TE12L_F)	1	22240935R2		
PCB-4	Q281	IC	K4S641632K-UC60	1	22242462R2		
PCB-4	Q281 or	IC	K4S641632N-LC60	( 1)	22242603R2		
PCB-4	Q281 or	IC	EM638165TS-7G	( 1)	22242607R2	N	
PCB-4	Q282	IC	ES29LV160ET-70TG	1	222W0069R303146		
PCB-4	Q282 or	IC	S29AL016D70TFI010	( 1)	222W0063R303146		
PCB-4	Q282 or	IC	S29AL016J70TFI010	( 1)	222W0100R303146		
PCB-4	Q282 or	IC	ES29LV160FT-70T	( 1)	222W0101R303146		
PCB-4	Q8501	IC	PS421TQFP100G	1	22242579R3		
PCB-4	Q8801	IC	SI8008TM	1	22242323R2		
PCB-4	Q8802	IC	BD7820	1	22242300R2		
PCB-4	Q8803	IC	TA48033BF(TE16L_NQ)	1	22278033DBR2TO		
PCB-4	Q8804	IC	TA48033BF(TE16L_NQ)	1	22278033DBR2TO		
PCB-4	Q8805	IC	S-812C50BUC-C5ET2G	1	22242407R2		
	<b>[TRANS COIL]</b>						
PCB-4	L201	CHOKE COIL	BLM21PG221SN1	1	230949R2		
PCB-4	L202	CHOKE COIL	BLM21PG221SN1	1	230949R2		
PCB-4	L203	C-CARBON R	RN72K1J-000JE	1	435030004R1		
PCB-4	L204	EMIFIL	BK1608LM182-T	1	230958R1		
PCB-4	L205	CHOKE COIL	LBC2518T470M	1	231364M470R2		
PCB-4	L241	EMIFIL	ACF451832-333-T	1	230978R2		
PCB-4	L282	CHOKE COIL	BLM21PG221SN1	1	230949R2		
PCB-4	L312	EMIFIL	BK1608LM182-T	1	230958R1		
PCB-4	L8001	C-R NET	MNR12E0APJ000	1	43464900002R2		
PCB-4	L8002	C-R NET	MNR12E0APJ000	1	43464900002R2		

PCB-4	L8003	C-R NET	MNR12E0APJ000	1	43464900002R2		
PCB-4	L8004	C-R NET	MNR12E0APJ000	1	43464900002R2		
PCB-4	L8801	CHOKE COIL	BLM21PG221SN1	1	230949R2		
PCB-4	L8802	CHOKE COIL	BLM21PG221SN1	1	230949R2		
PCB-4	L8803	CHOKE COIL	NCH-2541	1	231363K470A		
PCB-4	L8803 or	COIL	0182-7310-470K-RB	( 1)	231389		
PCB-4	L8805	CHOKE COIL	BLM21PG221SN1	1	230949R2		
PCB-4	X202	CRYSTAL	HC-49USSMD17.734MHz	1	3010442R2		
	<b>[CAPACITOR]</b>						
PCB-4	C201	C-CERA C	CK725F1E-104Z1	1	332161040R1		
PCB-4	C202	C-CERA C	CK725F1E-104Z1	1	332161040R1		
PCB-4	C203	C-CERA C	CK725F1E-104Z1	1	332161040R1		
PCB-4	C204	C-CERA C	CK725F1E-104Z1	1	332161040R1		
PCB-4	C205	C-CERA C	CK725F1E-104Z1	1	332161040R1		
PCB-4	C206	C-CERA C	CK725F1E-104Z1	1	332161040R1		
PCB-4	C207	C-CERA C	CK725F1E-104Z1	1	332161040R1		
PCB-4	C208	C-CERA C	CK725F1E-104Z1	1	332161040R1		
PCB-4	C209	C-CERA C	CK725F1E-104Z1	1	332161040R1		
PCB-4	C211	C-CERA C	CK725F1E-104Z1	1	332161040R1		
PCB-4	C212	C-CERA C	CK725F1E-104Z1	1	332161040R1		
PCB-4	C213	C-CERA C	CK725F1E-104Z1	1	332161040R1		
PCB-4	C214	C-CERA C	CK725F1E-104Z1	1	332161040R1		
PCB-4	C215	C-CERA C	CK725F1E-104Z1	1	332161040R1		
PCB-4	C216	C-CERA C	CK725F1E-104Z1	1	332161040R1		
PCB-4	C217	C-CERA C	CK725F1E-104Z1	1	332161040R1		
PCB-4	C218	CHIP ELECT C	CEWX4V-220M	1	3981G2217R2		
PCB-4	C219	C-CERA C	CK725F1E-104Z1	1	332161040R1		
PCB-4	C221	C-CERA C	CK725F1E-104Z1	1	332161040R1		
PCB-4	C222	C-CERA C	CK725F1E-104Z1	1	332161040R1		
PCB-4	C223	C-CERA C	CK725F1E-104Z1	1	332161040R1		
PCB-4	C224	C-CERA C	CK725F1E-104Z1	1	332161040R1		
PCB-4	C225	C-CERA C	CK725F1E-104Z1	1	332161040R1		
PCB-4	C226	C-CERA C	CK725F1E-104Z1	1	332161040R1		
PCB-4	C227	C-CERA C	CK725F1E-104Z1	1	332161040R1		
PCB-4	C228	C-CERA C	CK725F1E-104Z1	1	332161040R1		
PCB-4	C229	C-CERA C	CK725F1E-104Z1	1	332161040R1		
PCB-4	C230	C-CERA C	CK725F1E-104Z1	1	332161040R1		
PCB-4	C231	C-CERA C	CK725F1E-104Z1	1	332161040R1		

PCB-4	C232	C-CERA C	CK725F1E-104Z1	1	332161040R1		
PCB-4	C233	C-CERA C	CK725F1E-104Z1	1	332161040R1		
PCB-4	C234	C-CERA C	CK725F1E-104Z1	1	332161040R1		
PCB-4	C235	CHIP ELECT C	CEWX4V-220M	1	3981G2217R2		
PCB-4	C236	C-CERA C	CK725F1E-104Z1	1	332161040R1		
PCB-4	C237	CHIP ELECT C	CEWX4V-100M	1	3981G1017R2		
PCB-4	C238	C-CERA C	CC725CH1H-060D1	1	342100602R1		
PCB-4	C239	C-CERA C	CC725CH1H-060D1	1	342100602R1		
PCB-4	C241	CHIP ELECT C	CEWX4V-220M	1	3981G2217R2		
PCB-4	C242	C-CERA C	CK725F1E-104Z1	1	332161040R1		
PCB-4	C243	C-CERA C	CC725CH1H-101J1	1	342101014R1		
PCB-4	C245	C-CERA C	CK725F1E-104Z1	1	332161040R1		
PCB-4	C246	C-CERA C	CK725F1E-104Z1	1	332161040R1		
PCB-4	C281	CHIP ELECT C	CEWX4V-220M	1	3981G2217R2		
PCB-4	C282	C-CERA C	CK725F1E-104Z1	1	332161040R1		
PCB-4	C283	C-CERA C	CC725CH1H-102J1	1	342101024R1		
PCB-4	C284	CHIP ELECT C	CEWX4V-220M	1	3981G2217R2		
PCB-4	C285	C-CERA C	CK725F1E-104Z1	1	332161040R1		
PCB-4	C286	C-CERA C	CK725F1E-104Z1	1	332161040R1		
PCB-4	C287	C-CERA C	CK725F1E-104Z1	1	332161040R1		
PCB-4	C288	C-CERA C	CK725F1E-104Z1	1	332161040R1		
PCB-4	C289	C-CERA C	CK725F1E-104Z1	1	332161040R1		
PCB-4	C290	C-CERA C	CK725F1E-104Z1	1	332161040R1		
PCB-4	C291	C-CERA C	CK725F1E-104Z1	1	332161040R1		
PCB-4	C295	C-CERA C	CK725F1E-104Z1	1	332161040R1		
PCB-4	C8002	C-CERA C	CK725B1H-103K1	1	332101035R1		
PCB-4	C8003	C-CERA C	CK725B1H-103K1	1	332101035R1		
PCB-4	C8004	C-CERA C	CK725B1H-103K1	1	332101035R1		
PCB-4	C8005	C-CERA C	CK725F1E-104Z1	1	332161040R1		
PCB-4	C8501	CHIP ELECT C	CEWX50V-4.7M	1	398180477R2		
PCB-4	C8502	C-CERA C	CK725F1E-104Z1	1	332161040R1		
PCB-4	C8503	C-CERA C	CK725B1H-103K1	1	332101035R1		
PCB-4	C8504	C-CERA C	CK725F1E-104Z1	1	332161040R1		
PCB-4	C8505	C-CERA C	CK725F1E-104Z1	1	332161040R1		
PCB-4	C8506	C-CERA C	CK725F1E-104Z1	1	332161040R1		
PCB-4	C8507	C-CERA C	CK725F1E-104Z1	1	332161040R1		
PCB-4	C8508	C-CERA C	CK725B1H-103K1	1	332101035R1		
PCB-4	C8509	C-CERA C	CK725B1H-103K1	1	332101035R1		

PCB-4	C8510	C-CERA C	CK725B1H-103K1	1	332101035R1		
PCB-4	C8511	C-CERA C	CK725B1H-103K1	1	332101035R1		
PCB-4	C8512	C-CERA C	CK725B1H-103K1	1	332101035R1		
PCB-4	C8513	C-CERA C	CK725B1H-103K1	1	332101035R1		
PCB-4	C8514	C-CERA C	CK725F1E-104Z1	1	332161040R1		
PCB-4	C8515	C-CERA C	CK725F1E-104Z1	1	332161040R1		
PCB-4	C8516	C-CERA C	CK725B1H-103K1	1	332101035R1		
PCB-4	C8517	C-CERA C	CK725B1H-103K1	1	332101035R1		
PCB-4	C8518	C-CERA C	CK725B1H-103K1	1	332101035R1		
PCB-4	C8519	C-CERA C	CK725B1H-103K1	1	332101035R1		
PCB-4	C8520	C-CERA C	CK725F1E-104Z1	1	332161040R1		
PCB-4	C8521	C-CERA C	CK725F1E-104Z1	1	332161040R1		
PCB-4	C8522	C-CERA C	CK725F1E-104Z1	1	332161040R1		
PCB-4	C8523	C-CERA C	CK725F1E-104Z1	1	332161040R1		
PCB-4	C8800	CD C	UCD1E221MNL1GS	1	396652217R2		
PCB-4	C8801	CD C	UCD1E221MNL1GS	1	396652217R2		
PCB-4	C8802	C-CERA C	CK725B1H-223K1	1	332102235R1		
PCB-4	C8803	C-CERA C	CK725F1E-104Z1	1	332161040R1		
PCB-4	C8804	CHIP ELECT C	CEWT10V-470M	1	395734717R2		
PCB-4	C8805	C-CERA C	CK725F1E-104Z1	1	332161040R1		
PCB-4	C8806	CHIP ELECT C	CEWX16V-10M	1	398141007R2		
PCB-4	C8807	CHIP ELECT C	CEWX4V-100M	1	3981G1017R2		
PCB-4	C8808	C-CERA C	CK725F1E-104Z1	1	332161040R1		
PCB-4	C8809	CHIP ELECT C	CEWX16V-10M	1	398141007R2		
PCB-4	C8810	C-CERA C	CK725F1E-104Z1	1	332161040R1		
PCB-4	C8811	CHIP ELECT C	CEWX4V-100M	1	3981G1017R2		
PCB-4	C8812	C-CERA C	CK725B0J-106K	1	332091065R2		
PCB-4	C8813	C-CERA C	CK725F1E-104Z1	1	332161040R1		
PCB-4	C8814	CHIP ELECT C	CEWX4V-100M	1	3981G1017R2		
PCB-4	C8815	C-CERA C	CK725F1E-104Z1	1	332161040R1		
PCB-4	C8816	C-CERA C	CK725B0J-106K	1	332091065R2		
PCB-4	C8817	C-CERA C	CK725F1E-104Z1	1	332161040R1		
PCB-4	C8818	C-CERA C	CK725F1E-104Z1	1	332161040R1		
PCB-4	C8821	C-CERA C	CK725F1E-104Z1	1	332161040R1		
	<b>[RESISTOR]</b>						
PCB-4	R200	C-CARBON R	RN72K1J-221JE	1	435032214R1		
PCB-4	R201	C-CARBON R	RN72K1J-103JE	1	435031034R1		
PCB-4	R202	C-CARBON R	RN72K1J-103JE	1	435031034R1		

PCB-4	R203	C-CARBON R	RN72K1J-103JE	1	435031034R1		
PCB-4	R204	C-CARBON R	RN72K1J-103JE	1	435031034R1		
PCB-4	R205	C-CARBON R	RN72K1J-103JE	1	435031034R1		
PCB-4	R206	C-CARBON R	RN72K1J-221JE	1	435032214R1		
PCB-4	R207	C-CARBON R	RN72K1J-221JE	1	435032214R1		
PCB-4	R208	C-CARBON R	RN72K1J-103JE	1	435031034R1		
PCB-4	R209	C-CARBON R	RN72K1J-470JE	1	435034704R1		
PCB-4	R221	C-CARBON R	RN72K1J-750JE	1	435037504R1		
PCB-4	R250	C-CARBON R	RN72K1J-221JE	1	435032214R1		
PCB-4	R251	C-CARBON R	RN72K1J-221JE	1	435032214R1		
PCB-4	R252	C-CARBON R	RN72K1J-331JE	1	435033314R1		
PCB-4	R253	C-CARBON R	RN72K1J-470JE	1	435034704R1		
PCB-4	R254	C-CARBON R	RN72K1J-470JE	1	435034704R1		
PCB-4	R255	C-CARBON R	RN72K1J-470JE	1	435034704R1		
PCB-4	R256	C-CARBON R	RN72K1J-470JE	1	435034704R1		
PCB-4	R257	C-CARBON R	RN72K1J-470JE	1	435034704R1		
PCB-4	R258	C-CARBON R	RN72K1J-103JE	1	435031034R1		
PCB-4	R259	C-CARBON R	RN72K1J-331JE	1	435033314R1		
PCB-4	R260	C-CARBON R	RN72K1J-470JE	1	435034704R1		
PCB-4	R261	C-CARBON R	RN72K1J-470JE	1	435034704R1		
PCB-4	R265	C-CARBON R	RN72K1J-331JE	1	435033314R1		
PCB-4	R266	C-CARBON R	RN72K1J-331JE	1	435033314R1		
PCB-4	R267	C-CARBON R	RN72K1J-470JE	1	435034704R1		
PCB-4	R268	C-CARBON R	RN72K1J-221JE	1	435032214R1		
PCB-4	R269	C-CARBON R	RN72K1J-470JE	1	435034704R1		
PCB-4	R270	C-CARBON R	RN72K1J-000JE	1	435030004R1		
PCB-4	R272	C-CARBON R	RN72K1J-105JE	1	435031054R1		
PCB-4	R273	C-CARBON R	RN72K1J-103JE	1	435031034R1		
PCB-4	R281	C-CARBON R	RN72K1J-103JE	1	435031034R1		
PCB-4	R282	C-CARBON R	RN72K1J-103JE	1	435031034R1		
PCB-4	R283	C-CARBON R	RN72K1J-103JE	1	435031034R1		
PCB-4	R284	C-CARBON R	RN72K1J-103JE	1	435031034R1		
PCB-4	R285	C-CARBON R	RN72K1J-103JE	1	435031034R1		
PCB-4	R286	C-CARBON R	RN72K1J-331JE	1	435033314R1		
PCB-4	R287	C-CARBON R	RN72K1J-103JE	1	435031034R1		
PCB-4	R288	C-CARBON R	RN72K1J-103JE	1	435031034R1		
PCB-4	R289	C-CARBON R	RN72K1J-472JE	1	435034724R1		
PCB-4	R290	C-CARBON R	RN72K1J-472JE	1	435034724R1		

PCB-4	R8101	C-CARBON R	RN72K1J-102JE	1	435031024R1		
PCB-4	R8102	C-CARBON R	RN72K1J-473JE	1	435034734R1		
PCB-4	R8103	C-CARBON R	RN72K1J-473JE	1	435034734R1		
PCB-4	R8104	C-CARBON R	RN72K1J-393JE	1	435033934R1		
PCB-4	R8105	C-CARBON R	RN72K1J-000JE	1	435030004R1		
PCB-4	R8201	C-CARBON R	RN72K1J-102JE	1	435031024R1		
PCB-4	R8202	C-CARBON R	RN72K1J-473JE	1	435034734R1		
PCB-4	R8203	C-CARBON R	RN72K1J-473JE	1	435034734R1		
PCB-4	R8204	C-CARBON R	RN72K1J-393JE	1	435033934R1		
PCB-4	R8205	C-CARBON R	RN72K1J-000JE	1	435030004R1		
PCB-4	R8301	C-CARBON R	RN72K1J-102JE	1	435031024R1		
PCB-4	R8302	C-CARBON R	RN72K1J-473JE	1	435034734R1		
PCB-4	R8303	C-CARBON R	RN72K1J-473JE	1	435034734R1		
PCB-4	R8304	C-CARBON R	RN72K1J-393JE	1	435033934R1		
PCB-4	R8305	C-CARBON R	RN72K1J-000JE	1	435030004R1		
PCB-4	R8401	C-CARBON R	RN72K1J-473JE	1	435034734R1		
PCB-4	R8402	C-CARBON R	RN72K1J-182JE	1	435031824R1		
PCB-4	R8403	C-CARBON R	RN72K1J-182JE	1	435031824R1		
PCB-4	R8416	C-CARBON R	RN72K1J-000JE	1	435030004R1		
PCB-4	R8501	C-CARBON R	RN72K1J-473JE	1	435034734R1		
PCB-4	R8503	C-CARBON R	RN72K1J-472JE	1	435034724R1		
PCB-4	R8504	C-CARBON R	RN72K1J-472JE	1	435034724R1		
PCB-4	R8505	C-CARBON R	RN72K1J-102JE	1	435031024R1		
PCB-4	R8506	C-CARBON R	RN72K1J-102JE	1	435031024R1		
PCB-4	R8801	C-CARBON R	RN72K1J-333JE	1	435033334R1		
PCB-4	R8802	C-CARBON R	RN72K1J-332JE	1	435033324R1		
PCB-4	R8803	C-CARBON R	RN72K1J-152JE	1	435031524R1		
PCB-4	R8804	C-CARBON R	RN72K1J-152JE	1	435031524R1		
PCB-4	R8805	C-CARBON R	RN72K1J-000JE	1	435030004R1		
PCB-4	R8806	C-CARBON R	RN72K1J-393JE	1	435033934R1		
PCB-4	R8807	C-CARBON R	RN72K1J-393JE	1	435033934R1		
PCB-4	R8808	C-CARBON R	RN72K1J-333JE	1	435033334R1		
PCB-4	R8810	C-CARBON R	RN72K1J-103JE	1	435031034R1		
PCB-4	R8811	C-CARBON R	RN72K1J-222JE	1	435032224R1		
PCB-4	R8812	C-CARBON R	RN72K1J-222JE	1	435032224R1		
PCB-4	R8821	C-CARBON R	RN72K1J-101JE	1	435031014R1		
	[SW TRM]						
PCB-4	JL801B	WIRE TRAP	NPLG-5P588	1	25055626		

PCB-4	P202	PLUG	IMSA-9111B-16	1	25056620		
PCB-4	P8001B	SOCKET	IMSA-9111S-24L	1	25053259		
PCB-4	P8002	SOCKET	YKF45-7037V	1	25053253R3		
PCB-4	P8003	SOCKET	YKF45-7037V	1	25053253R3		
PCB-4	P8004	SOCKET	YKF45-7037V	1	25053253R3		
PCB-4	P8005	SOCKET	YKF45-7037V	1	25053253R3		

---

**ONKYO CORPORATION**

Service Dept. Technical Support : 2-1, Nisshin-cho, Neyagawa-shi, OSAKA 572-8540, JAPAN  
Tel: 072-831-8023 Fax: 072-831-8163

**ONKYO U.S.A. CORPORATION**

18 Park Way, Upper Saddle River, N.J. 07458, U.S.A.  
Tel: 201-785-2600 Fax: 201-785-2650 <http://www.us.onkyo.com/>

**ONKYO EUROPE ELECTRONICS GmbH (DUISBURG OFFICE)**

Hafennr.7602, Logport Office-Center, Bliersheimerstr.80B, 47229 Duisburg, Germany  
Tel: +49-2065-90198-00 Fax: +49-2065-90198-40 <http://www.eu.onkyo.com/>

**ONKYO EUROPE UK Office**

Suite 1, Gregories Court, Gregories Road, Beaconsfield, Buckinghamshire, HP9 1HQ  
UNITED KINGDOM Tel: +44-(0)1494-681515 Fax: +44(0)-1494-680452

**ONKYO CHINA LIMITED**

Units 2102-2107, Metroplaza Tower I, 223 Hing Fong Road, Kwai Chung,  
N.T., HONG KONG Tel: 852-2429-3118 Fax: 852-2428-9039  
<http://www.ch.onkyo.com/>

