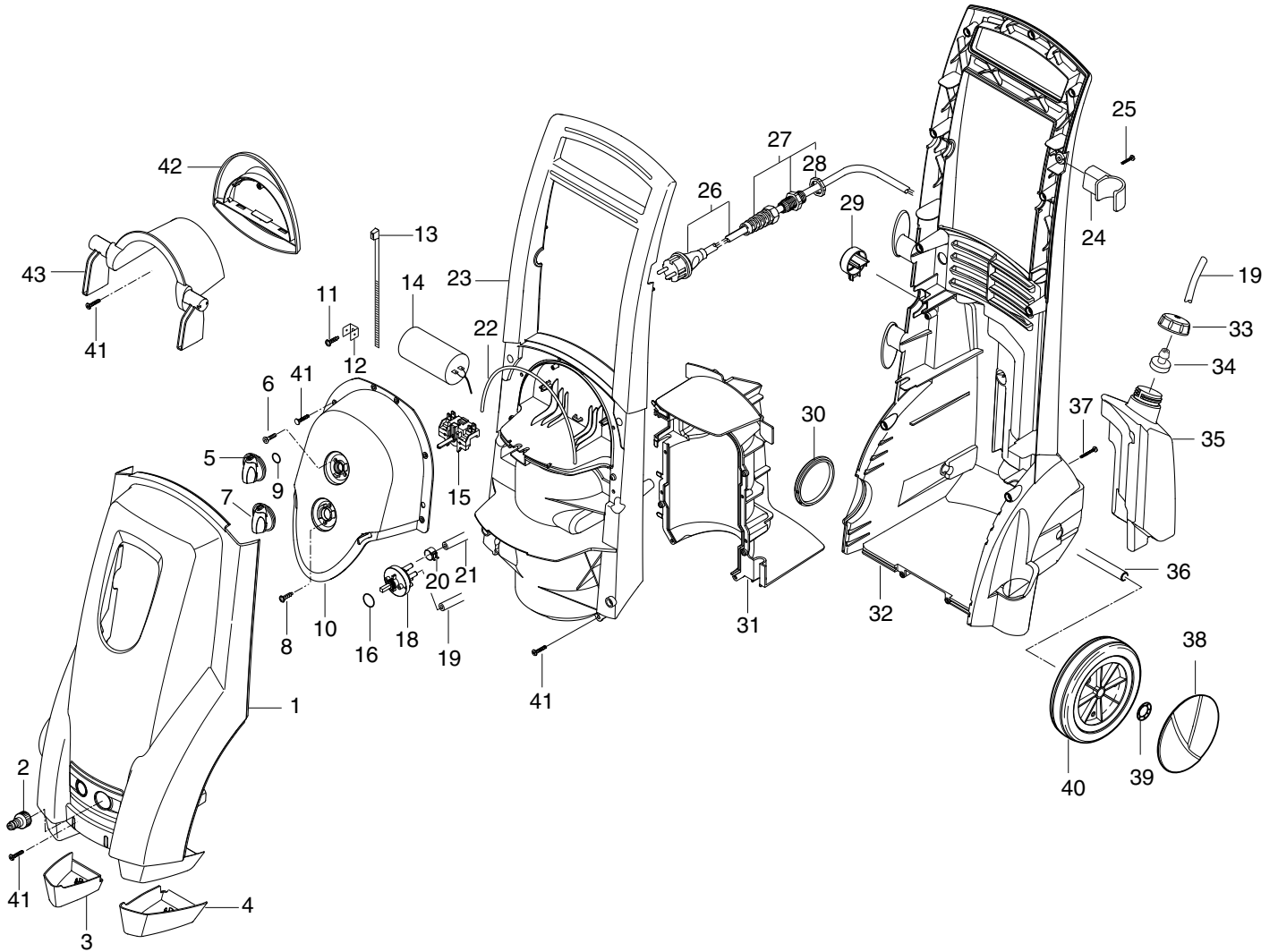


P150.1 B  
P150.1 B X-TRA  
P160.1 B X-TRA



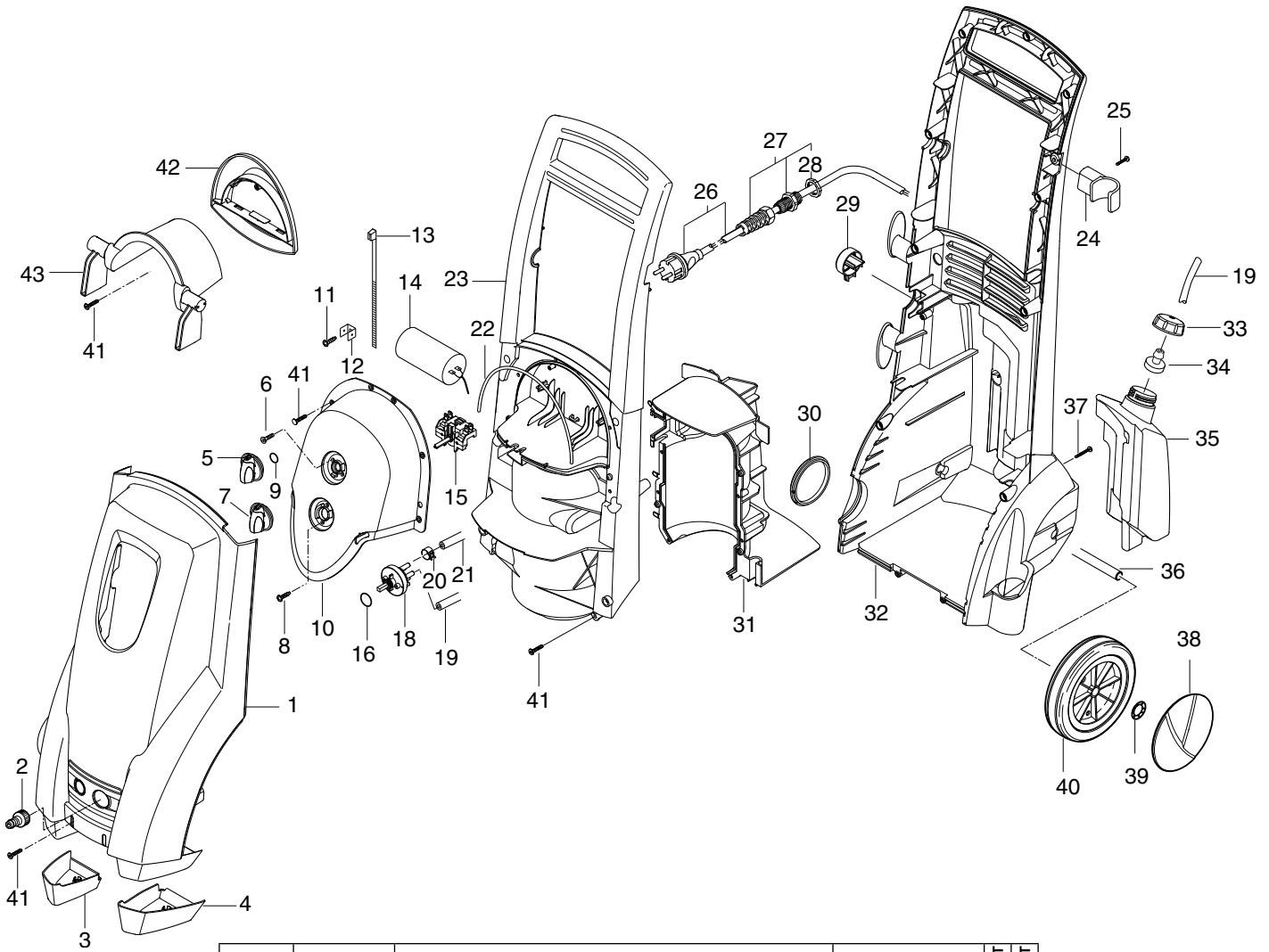
**Nilfisk**  
**ALTO**  
*Why Compromise*

# Chassis Nilfisk-ALTO 150.1 B, 150.1 B X-TRA & 160.1 B X-TRA



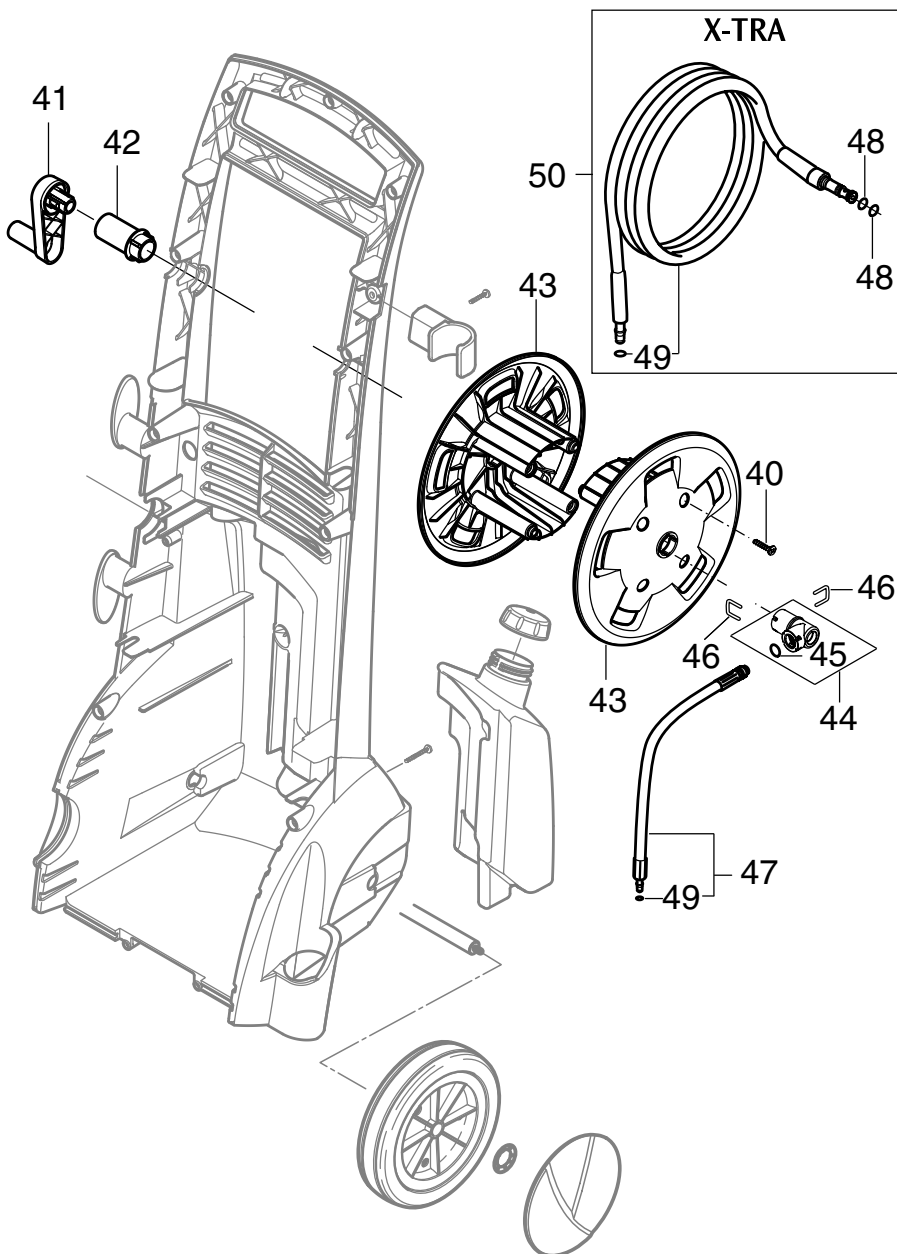
Pos.	No.	Description	Comment Bemerkung Remarque Bemærkning		
				P 150.1	P 160.1 P Xtra
1	6528690	Cabinet front		1	1
2	1402809	Quick coupling male		1	1
3	6528565	Support foot right		1	1
4	6528566	Support foot left		1	1
5	909100204	Rotary knob		1	1
6	1803451	Screw 4x10mm		2	2
7	909100214	Rotary knob		1	1
8	1814730	Screw 35x10B		2	2
9	9868	O-ring 10,0x2,5		1	1
10	6528416	Cover for electric box		1	1
11	1814585	Screw K30x12 TORX		1	1
12	1814725	Plug		1	1
13	1814741	Cable tie		1	1
14	3821793	Capasitor 50µf		1	1
15	301001058	Contact for start/stop		1	1
16	3004221	O-Ring Ø16x2,0		1	1
18	126528628	Dosing valve		1	1
⌘ 19	5206040	Hose (L=1200)		1	1
20	1814679	Hose clip		1	1
⌘ 21	5206054	Hose (L=670)		1	1
22	6528414	Packing cord		1	1
23	6528552	Chassis front black		1	1
24	6528573	Support for lance Ø38		1	1

# Chassis Nilfisk-ALTO 150.1 B, 150.1 B X-TRA & 160.1 B X-TRA



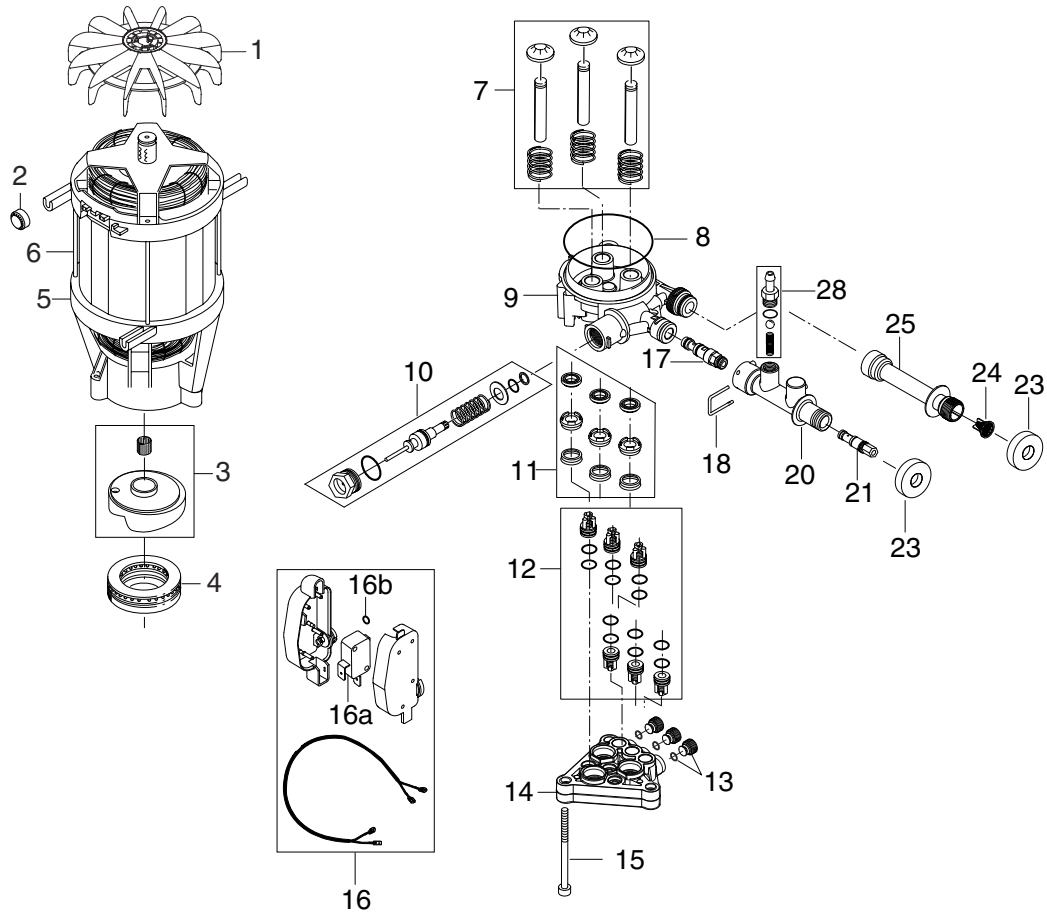
Pos.	No.	Description	Comment Bemerkung Remarque Bemærkning	P 150.1 B X-T	P 160.1 B X-T
25	1814732	Screw K50x18 WN1411		2	2
26	6521455	Cable with plug EU		1	1
26	6521456	Cable with plug GB		1	1
26	6521457	Cable with plug CH		1	1
27	6528601	Gland		1	1
28	3800794	Nut G 11		1	1
29	126528650	Plug		1	1
30	126528651	Plug		1	1
31	6528561	Motor shield, rear part		1	1
32	6528562	Cabinet rear part, black		1	1
33	6528411	Cap, detergent tank		1	1
34	6400240	Filter		1	1
35	6528557	Detergent tank		1	1
36	6522842	Axle Ø15x333mm		1	1
37	1814722	Screw K50x35 WN1451		2	2
38	6522843	Wheel cap		2	2
39	1814643	Lockwasher		2	2
40	6528568	Wheel, Ø200mm		2	2
41	1814601	Screw K50x18 WN1451		31	31
42	6528445	Hose storage front	(not X-TRA)	1	
43	6528444	Hose storage back	(not X-TRA)	1	

## Hose reel 150.1 B X-TRA & 160.1 B X-TRA



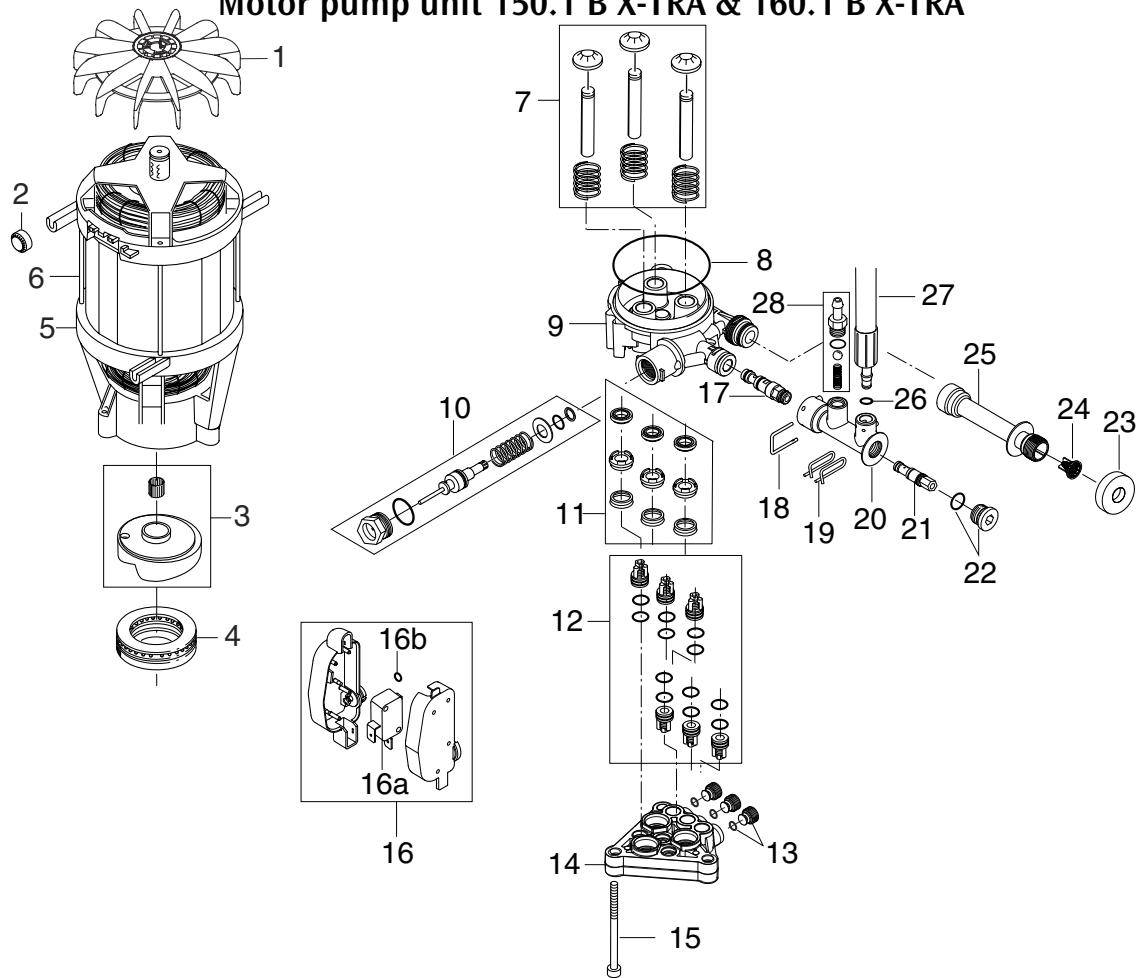
Pos.	No.	Description	Comment Bemerkung Remarque Bemærkning	P-150.1 B X-T	P-160.1 B X-T
40	1814601	Screw K50x18 WN1451		4	4
41	6528569	Hose reel handle		1	1
42	6528571	Adaptor		1	1
43	6528570	Hose reel		2	2
44	6127006	Connector complet		1	1
45	3002144	O-Ring 14,3x2,4 Nit.70SH		1	1
46	6526487	Lock bracket		2	2
47	6528584	Connection hose		1	1
48	3004321	O-Ring PUR 10x2		2	2
49	3004304	O-Ring 5,1x1,6 Vit. 90SH		2	2
50	6528610	Hose compl. steelarm 10m		1	1
50	6528611	Hose compl. steelarm 15m		1	1

## Motor pump unit 150.1 B

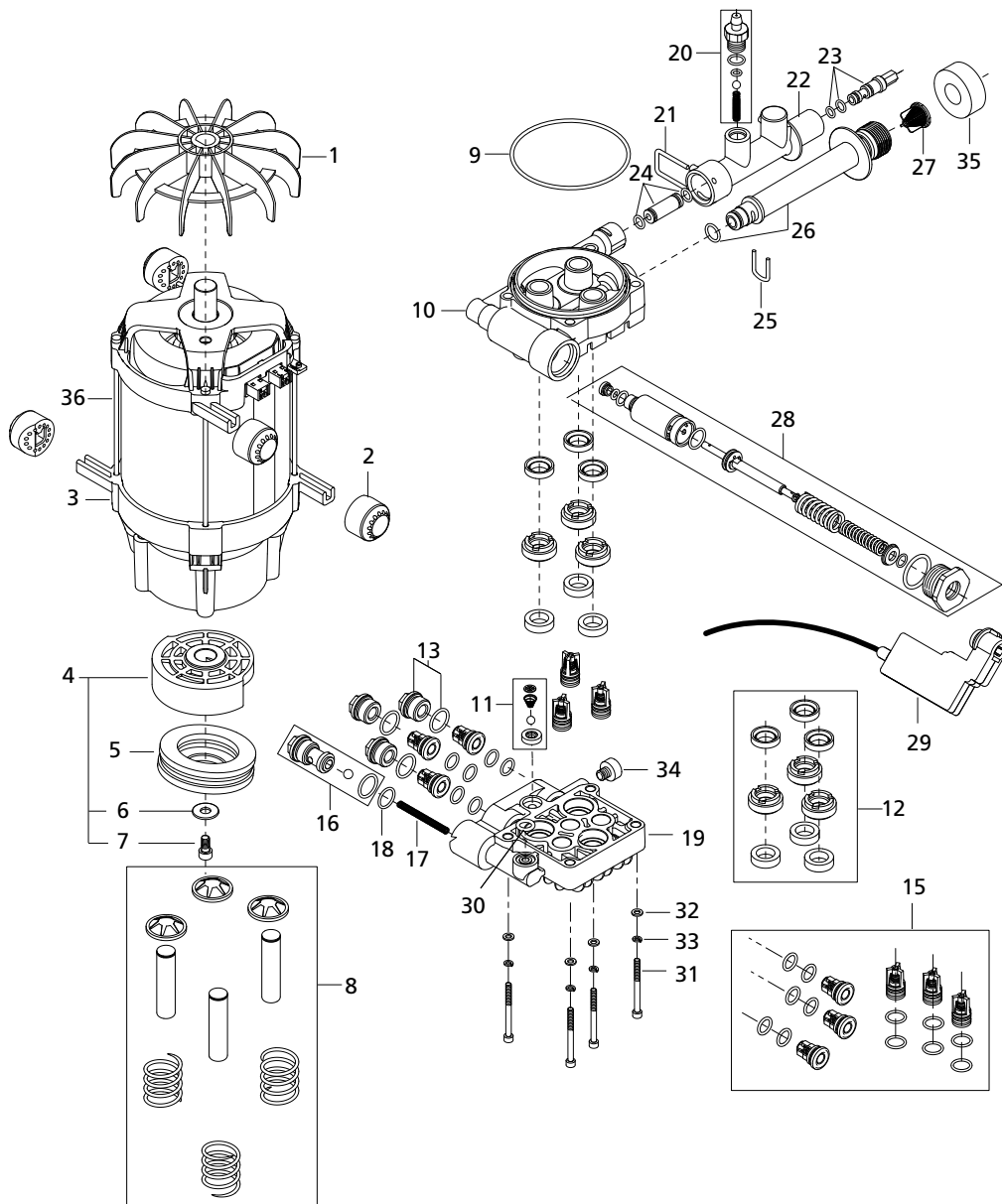


Pos.	No.	Description	Comment Bemerkung Remarque Bemærkning	P 150.1 B
1	6524042	Fan		1
2	6524050	Rubber support		1
3	126528652	Wobble disc		1
4	1119705	Rep.kit bearing		1
5	6528593	Motor 230-240V 50Hz 2,9kW		1
5	6528594	Motor 230V 50Hz 3,3kW		1
6	106526209	Stud		3
7	6526016	Rep.kit piston		1
8	3003654	O-Ring		1
9	6525598	Cylinder block		1
10	126528653	Auto start/stop valve		1
11	6526018	Rep.kit sealing system		1
12	6526026	Rep.kit valve system		1
13	6528586	Plug with O-Ring		3
14	6528616	Cylinder head		1
15	1814597	Bolt M8x70		3
16	126528654	Switch box, compl.		1
16a	123822159	Micro switch		1
16b	3004082	O-Ring		1
17	126528655	Injector blue		1
18	6528458	Lock bracket		1
20	126528548	Water outlet		1
21	126528656	Injector bordeaux		1
23	126486792	Foam seal inlet & outlet		2
24	6525579	Water inlet filter		1
25	126528749	Water inlet		1
28	6528615	Hose tail		1

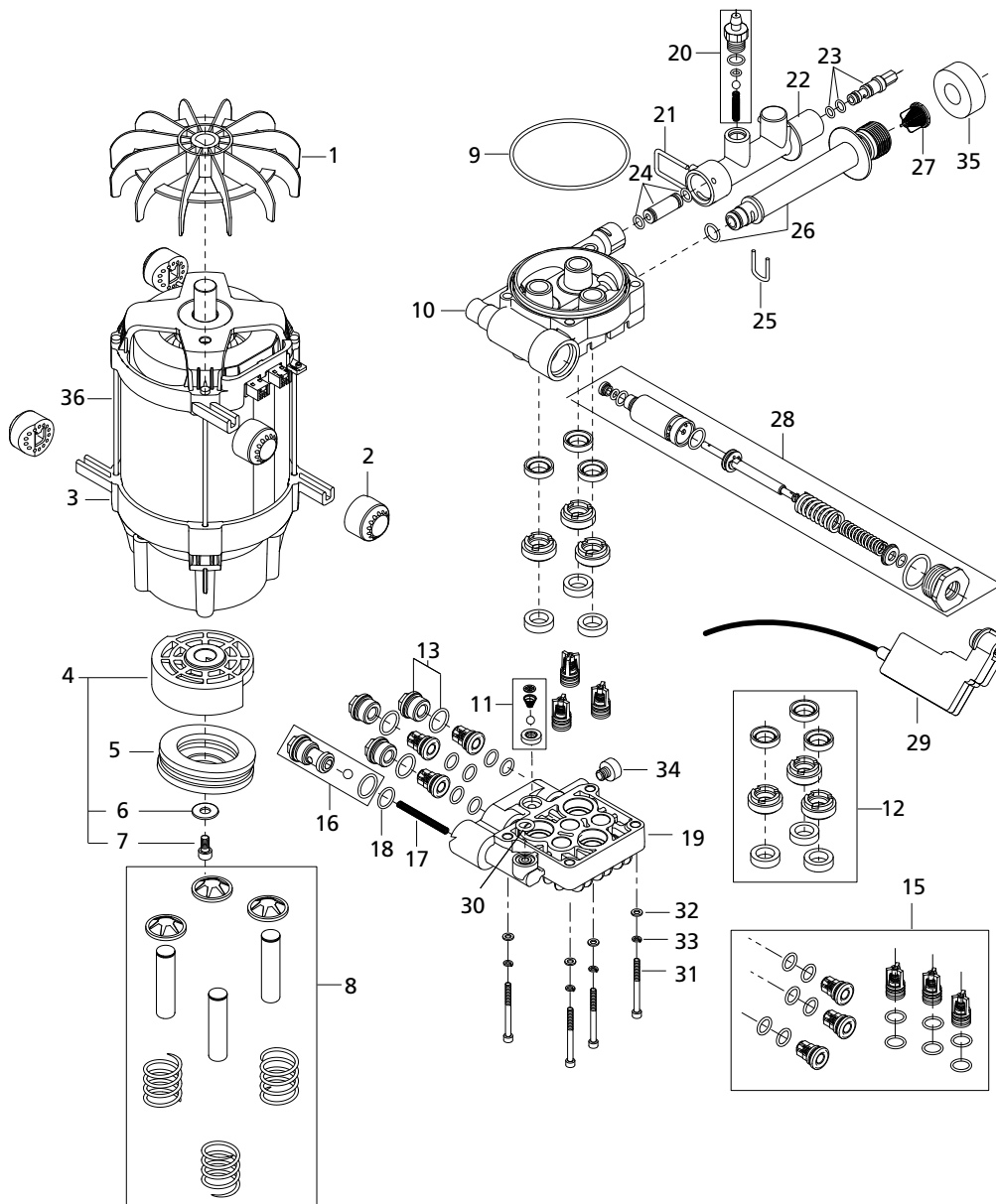
## Motor pump unit 150.1 B X-TRA & 160.1 B X-TRA



Pos.	No.	Description	Comment Bemerkung Remarque Bemærkning	P 150.1 B X-T	P 160.1 B X-T
1	6524042	Fan		1	1
2	6524050	Rubber support		1	1
3	126528652	Wobble disc		1	
3	126528657	Wobble disc			1
4	1119705	Rep.kit bearing		1	1
5	6528593	Motor 230-240V 50Hz 2,9kW		1	
5	6528594	Motor 230V 50Hz 3,3kW			1
6	106526209	Stud		3	3
7	6526016	Rep.kit piston		1	1
8	3003654	O-Ring		1	1
9	6525598	Cylinder block		1	1
10	126528653	Auto start/stop valve		1	1
11	6526018	Rep.kit sealing system		1	1
12	6526026	Rep.kit valve system		1	1
13	6528586	Plug with O-Ring		3	3
14	6528616	Cylinder head		1	1
15	1814597	Bolt M8x70		3	3
16	126528654	Switch box, compl.		1	1
16a	123822159	Micro switch		1	1
16b	3004082	O-Ring		1	1
17	126528655	Injector blue		1	1
18	6528458	Lock bracket		1	1
19	126528532	Lock bracket		2	2
20	126528658	Water outlet		1	1
21	126528656	Injector bordeaux		1	1
22	6528600	Plug with O-Ring		1	1
23	126486792	Foam seal inlet & outlet		1	1
24	6525579	Water inlet filter		1	1
25	126528659	Water inlet		1	1
26	3004304	O-Ring		1	1
27	6528584	Connection hose		1	1
28	6528615	Hose tail		1	1



Pos.	No.	Description		
			P 150.1 B	P 160.1 B
1	6524042	Fan	1	1
2	6524050	Rubber support	3	3
3	127500000	Motor 230-240V 50Hz 2.9kW	1	1
4	127500001	Wobble disc 230-240V 50Hz 2.9kW	1	1
5	127500002	Thrust ball bearing 51209	1	1
6	127130066	Washer Ø 20	1	1
7	127130065	Bolt M6x12	1	1
8	127500003	Piston complete	1	1
9	127130080	O-ring Ø 86	1	1
10	127500006	Cylinder guide	1	1
11	127130109	None-return valve	1	1
12	127130110	Rep. kit sealing system	3	3
13	127130015	Plug M18x1.5 with O-ring	3	3
14	3004221	O-ring Ø16	3	3
15	6526026	Inlet/outlet valve comp	1	1
16	127500005	Easy start plug	1	1
17	127130106	Easy start spring	1	1
18	3004246	Easy start O-ring	1	1



Pos.	No.	Description	P 150.1 B	P 160.1 B
19	127500006	Cylinder head	1	1
20	6528615	Chemi connecting piece	1	1
21	6528458	Lock bracket	1	1
22	127130069	Injector housing	1	1
23	126528656	Injector with O-rings	1	1
24	127500007	Reduction with O-rings	1	1
25	127130039	Lock bracket	1	1
26	127500008	Water inlet with O-ring	1	1
27	6525579	Filter	1	1
28	127500009	Start/stop valve compl.	1	1
29	127500010	Micro switch box complete	1	1
30	3001211	O-ring Ø9.19x2.62	1	1
31	127130036	Screw M6x70	4	4
32	127130064	Washer Ø12	4	4
33	127130063	Spring washer	4	4
34	127130108	Screw M8x6	1	1
35	126486792	Foam seal	1	1
36	127130111	Stud	1	1