

# STR-DB925


## SERVICE MANUAL

AEP Model  
UK Model  
Australian Model



Photo: BLACK

This receiver incorporates the Dolby\* Pro Logic Surround system and the DTS\*\* Digital Surround System.

\* Manufactured under license from Dolby Laboratories Licensing Corporation. DOLBY, the double-D symbol , "PRO LOGIC," and Dolby Digital (AC-3) are trademarks of Dolby Laboratories Licensing Corporation.

\*\* Manufactured under license from Digital Theater Systems, Inc. US Pat. No. 5,451,942 and other worldwide patents issued and pending "DTS" and "DTS Digital Surround" are trademarks of Digital Theater Systems, Inc. © 1996 Digital Theater Systems, Inc. All rights reserved.

### SPECIFICATIONS

#### Amplifier section

##### POWER OUTPUT

**Stereo mode** (4 ohms DIN 1 kHz)  
100 W + 100 W

##### Surround mode

(4 ohms DIN 1 kHz)  
Front: 100 W + 100 W  
Center<sup>a)</sup>: 100W  
Rear<sup>a)</sup>: 100 W + 100 W

*a) Depending on the sound field settings and the source, there may be no sound output.*

##### Frequency response

**PHONO:**  
RIAA equalization curve  
±0.5 dB

**CD, TAPE, MD/DAT, DVD, TV/LD, VIDEO 1, 2, and VIDEO 3:**  
10 Hz - 50 kHz  
+0.5/-2 dB (with sound field, tone, and bass booster bypassed)

##### Inputs (Analog)

###### PHONO:

Sensitivity: 2.5 mV  
Impedance:  
50 kilohms  
S/N<sup>b)</sup>: 75 dB (A,  
2.5 mV<sup>c)</sup>)

###### CD, DVD, TAPE, MD/DAT, TV/LD, VIDEO 1, 2, 3, and 5.1 INPUT:

Sensitivity: 150 mV  
Impedance:  
50 kilohms  
S/N<sup>b)</sup>: 82 dB (A,  
150 mV<sup>c)</sup>)

*b) 78' IHF*

*c) Weighted network, input level*

##### Inputs (Digital)

**DVD (coaxial):**  
Sensitivity: -  
Impedance: 75 ohms  
S/N: 100 dB (A,  
20 kHz LPF)

**DVD, TV/LD, MD/DAT (Optical):**  
Sensitivity: -  
Impedance: -  
S/N: 100 dB (A,  
20 kHz LPF)

##### Outputs

**TAPE, MD/DAT (REC OUT); VIDEO 1, 2 (AUDIO OUT):**  
Voltage: 150 mV,  
Impedance:  
10 kilohms

**WOOFER:**  
Voltage: 2 V  
Impedance:  
1 kilohms

**PHONES:**  
Accepts low- and high-impedance headphones

**BASS BOOST** +6 dB at 70 Hz

— Continued on next page —

## FM STEREO/FM-AM RECEIVER



# SONY®

**Sampling Frequency** 48 kHz

**EQ** **BASS:**  
100 Hz~1.0kHz  
(21 steps)  
**MID:**  
500 Hz~5.0kHz  
(21 steps)  
**TREBLE:**  
1.0 kHz~10kHz  
(21 steps)  
**Gain levels:**  
±10 dB, 1 dB step

### FM tuner section

**Tuning range** 87.5 - 108.0 MHz

**Antenna terminals**  
75 ohms, unbalanced

**Sensitivity** Mono: 18.3 dBf,  
2.2 µV/75 ohms  
Stereo: 38.3 dBf,  
22.5 µV/75 ohms

**Usable sensitivity**  
11.2 dBf,  
1 µV/75 ohms (IHF)

**S/N** Mono: 76 dB  
Stereo: 70 dB

**Harmonic distortion at 1 kHz**  
Mono: 0.3%  
Stereo: 0.5%

**Separation** 45 dB at 1 kHz

**Frequency response**  
30 Hz - 15 kHz  
+0.5/-2 dB

**Selectivity** 60 dB at 400 kHz

### AM tuner section

**Tuning range** 531 - 1,602 kHz  
(with 9-kHz tuning scale)

**Antenna** Loop antenna

**Usable sensitivity**  
50 dB/m (at 999 kHz)

**S/N** 54 dB (at 50 mV/m)

**Harmonic distortion**  
0.5 % (50 mV/m,  
400 kHz)

**Selectivity** 35 dB

### Video section

**Inputs** 1 Vp-p 75 ohms

**Outputs** 1 Vp-p 75 ohms

### General

**System** Tuner section:  
PLL quartz-locked  
digital synthesizer  
system  
Preamplifier section:  
Low-noise NF type  
equalizer  
Power amplifier  
section:  
Pure-complementary  
SEPP

**Power requirements**  
230 V AC, 50/60 Hz

**Power consumption**  
270 W

**AC outlets** 1 switched maximum  
100 W

**Dimensions** 430 × 160 × 410 mm  
including projecting  
parts and controls

**Mass (Approx.)**  
13 kg

**Supplied accessories**

- FM wire antenna (1)
- AM loop antenna (1)
- Remote commander  
RM-LJ301 (remote) (1)
- LR6 (size-AA) alkaline  
batteries (3)

Design and specifications are subject  
to change without notice.

### Notes on chip component replacement

- Never reuse a disconnected chip component.
- Notice that the minus side of a tantalum capacitor may be damaged by heat.

### SAFETY-RELATED COMPONENT WARNING !!

COMPONENTS IDENTIFIED BY MARK  $\triangle$  OR DOTTED LINE WITH MARK  $\triangle$  ON THE SCHEMATIC DIAGRAMS AND IN THE PARTS LIST ARE CRITICAL TO SAFE OPERATION. REPLACE THESE COMPONENTS WITH SONY PARTS WHOSE PART NUMBERS APPEAR AS SHOWN IN THIS MANUAL OR IN SUPPLEMENTS PUBLISHED BY SONY.

## TABLE OF CONTENTS

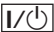
<b>1. SERVICING NOTE</b> .....	3	3-12. Printed Wiring Board – Display Section – .....	35
<b>2. GENERAL</b> .....	5	3-13. Schematic Diagram – Panel Section – .....	37
<b>3. DIAGRAMS</b>		3-14. Printed Wiring Board – Panel Section – .....	39
3-1. Circuit Boards Location .....	6	3-15. Schematic Diagram – Back Panel Section – .....	41
3-2. Block Diagrams		3-16. Printed Wiring Board – Back Panel Section – .....	43
• DSP Section .....	7	3-17. Schematic Diagram – Volume Section – .....	45
• Input Section .....	9	3-18. Printed Wiring Board – Volume Section – .....	47
• Power Section .....	11	3-19. Schematic Diagram – D In/Out Section – .....	49
• Dolby Section .....	13	3-20. Printed Wiring Board – D In/Out Section – .....	50
3-3. Schematic Diagram – Input Section – .....	17	3-21. Schematic Diagram – Digital (1/2) Section – .....	51
3-4. Printed Wiring Board – Input Section – .....	19	3-22. Schematic Diagram – Digital (2/2) Section – .....	53
3-5. Schematic Diagram – Power AMP Section – .....	21	3-23. Printed Wiring Board – Digital Section – .....	55
3-6. Printed Wiring Board – Power AMP Section – .....	23	3-24. IC Block Diagrams .....	57
3-7. Schematic Diagram – Trans Section – .....	25	3-25. IC Pin Functions .....	60
3-8. Printed Wiring Board – Trans Section – .....	27	<b>4. EXPLODED VIEWS</b>	
3-9. Schematic Diagram – Rear AMP Section – .....	29	4-1. Case and Back Panel Section .....	68
3-10. Printed Wiring Board – Rear AMP Section – .....	31	4-2. Front Panel Section .....	69
3-11. Schematic Diagram – Display Section – .....	33	4-3. Chassis Section .....	70
		<b>5. ELECTRICAL PARTS LIST</b> .....	71

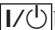
## SECTION 1 SERVICING NOTE

### FACTORY SET

Mode which sets the preset settings of the unit to that at shipment.

#### Procedure:

With the power off, press the  button while pressing the **SET UP** and **SOUND FIELD ON/OFF** buttons to turn ON the power. “FACTORY SET” will be displayed and FACTORY PRESET will be executed.

As the “DEMO MODE” will automatically be set about 1 minute later, press the  button to turn OFF the power.

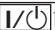
### INITIALIZATION

This mode erases all the preset settings of the unit.

Use this mode when returning the unit to customer.

#### Procedure:


With the power off, press the  button while pressing the **DISPLAY** and **SOUND FIELD ON/OFF** buttons to turn ON the power.

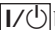
As the “DEMO MODE” will automatically be set about 1 minute later, press the  button to turn OFF the power.

### FLUORESCENT INDICATOR TUBE AND LED LIGHTING CHECK

Mode which lights up the whole fluorescent indicator tube or partially.

#### Procedure:

With the power off, press the  button while pressing the **SET UP** and **SOUND FIELD MODE** buttons to turn ON the power. The whole fluorescent display tube will light up.

As the “DEMO MODE” will automatically be set about 1 minute later, press the  button to turn OFF the power.

### DEMO MODE (NOT USED IN SERVICE)

Mode for demonstration

#### Procedure:

With the power off, press the  button while pressing the **CURSOR** button to turn ON the power.

To end, press the  button to turn OFF the power.

### PRECAUTIONS ON REMOVING THE FRONT PANEL

When the front panel is removed, the front panel board and VOLUME board cannot be connected, thus causing the following problems.

- The MASTER VOLUME LED does not light up
- The MASTER VOLUME cannot be turned UP/DOWN using the remote controller.

## DSP SELF DIAGNOSIS FUNCTION

This unit is equipped with a DSP self-diagnosis function.

After completing self-diagnosis, the “DSP TEST MODE” can be set, where signals input from the external equipment will be assigned to the designated channels as shown in the table below.

**Table-1 Assignment of Signals in DSP TEST MODE**

Input Signal	Output To
FRONT L-ch	FRONT L-ch + CENTER + REAR L-ch
FRONT R-ch	FRONT R-ch + WOOFER + REAR R-ch

### Procedure:

1. Connect external equipment such as CD and DVD players using the DIGITAL cable (optical or coaxial).
2. Rotate the **FUNCTION** knob, and switch to the FUNCTION connecting the external equipment.
3. Press the **INPUT MODE** button, and select the type of DIGITAL signal connected at 1.  
(“AUTO INPUT” is recommended for convenience.)
4. Press the **I/O** button to turn OFF the power.
5. Press the **I/O** button while pressing the **SET UP** and **SOUND FIELD GENRE** buttons to turn ON the power.
6. Perform DSP check in the following sequence to display the results. If no problems, “DSP NO ERROR” will be displayed on the fluorescent indicator tube, and the reference signals of the 1 KHz internal oscillation will be output to FRONT, REAR, CENTER, and WOOFER.

### Sequence :

- ① DSP1 BOOT ERROR CHECK (DSP1:IC1301)  
↓
- ② DSP1 REPLAY ERROR CHECK  
↓
- ③ DSP2 RAM ERROR CHECK (DSP2:IC1402 RAM:IC1402)  
↓
- ④ DSP2 REPLAY ERROR CHECK

Refer to Table 2 if errors occur and perform the repairs.

**Table-2 Display of Errors and Main Causes**

Error Message	Possible Cause and Countermeasure
DSP1 BOOT ERROR	Faulty connection of IC1301, fault around the power supply of IC1301
DSP1 REPLY ERROR	Fault of peripheral circuit of Pin ⑳ of IC1301
DSP2 RAM ERROR	Faulty connection with RAM (IC1402)
DSP2 REPLY ERROR	Faulty communication with microprocessor, fault of peripheral circuit of Pin ⑬ of IC1401, fault around power supply and clock of IC1401

7. Each time the **<**, **∧**, **∨**, or **>** button is pressed, the display changes between “DSP TEST MODE” and “DSP NO ERROR”.  
When “DSP TEST MODE” is displayed, the signals input from the external equipment connected at 1. will be assigned to the outputs as shown in Table 1.  
When “DSP NO ERROR” is displayed, the reference signal of the internal oscillation will be output to the FRONT, REAR, CENTER, and WOOFER channels.  
(Each time the **<**, **∧**, **∨**, or **>** button is pressed, self-diagnosis will be executed from ③ of step 6.)
8. To end, press the **I/O** button and turn OFF the power.

### Note:

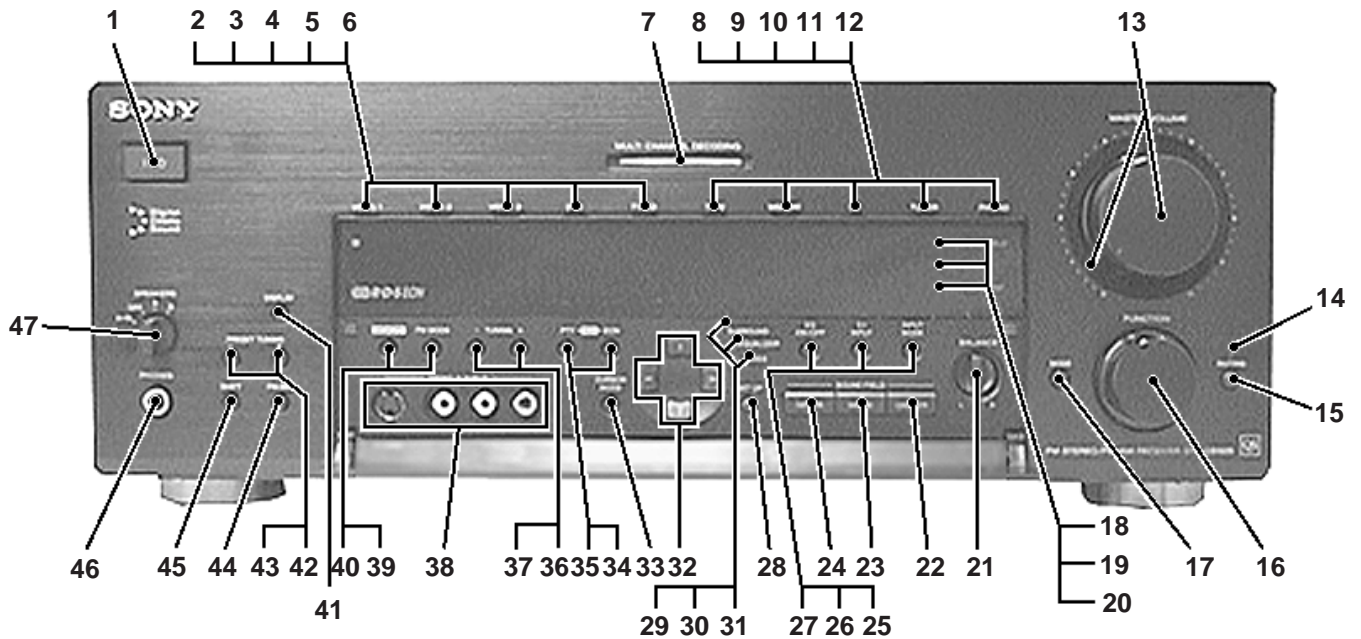
Do not touch other buttons except **<**, **∧**, **∨**, or **>** during this mode with a specific purpose.

Messages are displayed in the same way as in normal operations.

Operations itself will not be normal here, therefore if other buttons or knobs are touched by accident and the message is changed, press the **I/O** button to turn OFF the power and exit the mode.

## SECTION 2 GENERAL

### Front Panel Descriptions

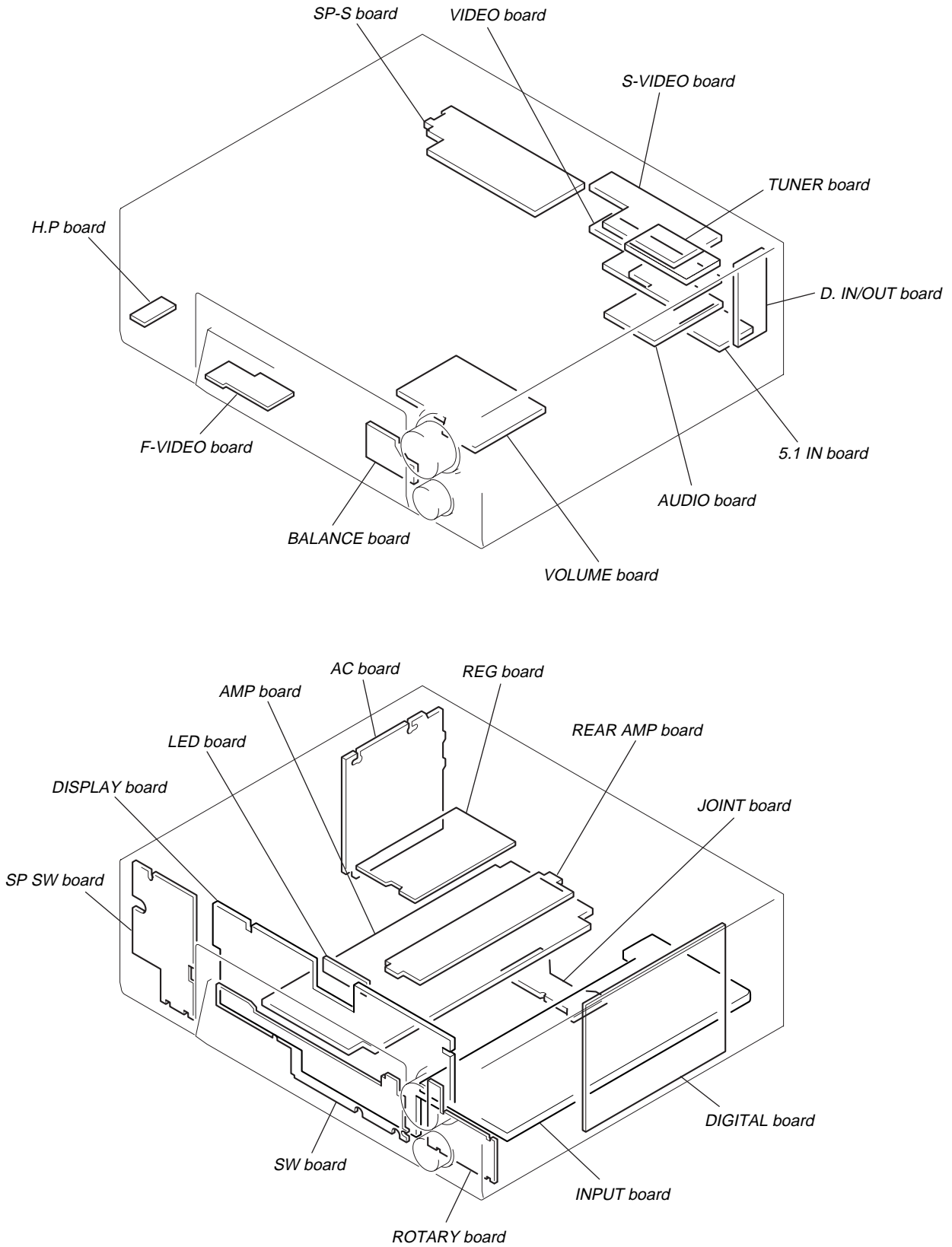


### LOCATION OF PARTS AND CONTROLS

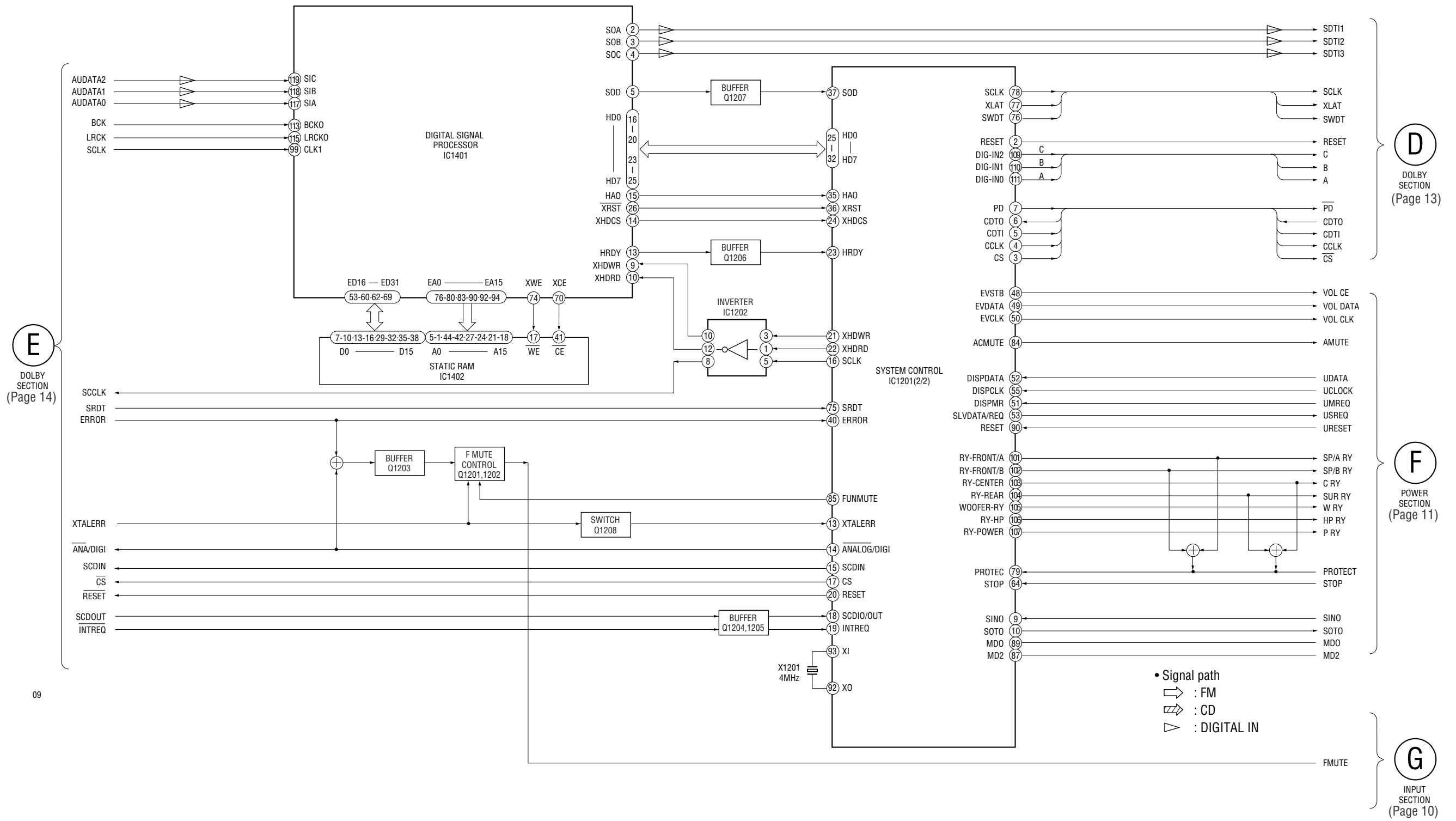
- |                                     |                           |
|-------------------------------------|---------------------------|
| 1 I/⏻ (power) switch                | 25 INPUT MODE button      |
| 2 VIDEO 1 indicator                 | 26 5.1 INPUT button       |
| 3 VIDEO 2 indicator                 | 27 EQ ON/OFF button       |
| 4 VIDEO 3 indicator                 | 28 SET UP button          |
| 5 DVD indicator                     | 29 SURROUND indicator     |
| 6 TV/LD indicator                   | 30 EQUALIZER indicator    |
| 7 MULTI CHANNEL DECODING indicator  | 31 INDEX indicator        |
| 8 TAPE indicator                    | 32 <, ^, v, > buttons     |
| 9 MD/DAT indicator                  | 33 SET UP button          |
| 10 CD indicator                     | 34 RDS EON button         |
| 11 TUNER indicator                  | 35 RDS PTY button         |
| 12 PHONO indicator                  | 36 TUNING + button        |
| 13 MASTER VOLUME knob and indicator | 37 TUNING – button        |
| 14 MUTING indicator                 | 38 VIDEO 3 INPUT jacks    |
| 15 MUTING button                    | 39 FM MODE button         |
| 16 FUNCTION knob                    | 40 MEMORY button          |
| 17 MODE switch                      | 41 DISPLAY button         |
| 18 SOUND FIELD indicator            | 42 PRESET TUNING + button |
| 19 EQ indicator                     | 43 PRESET TUNING – button |
| 20 BASS BOOST button                | 44 FM/AM button           |
| 21 BALANCE knob                     | 45 SHIFT button           |
| 22 SOUND FIELD ON/OFF button        | 46 PHONES jack            |
| 23 SOUND FIELD MODE button          | 47 SPEAKERS knob          |
| 24 SOUND FIELD GENRE button         |                           |

# SECTION 3 DIAGRAMS

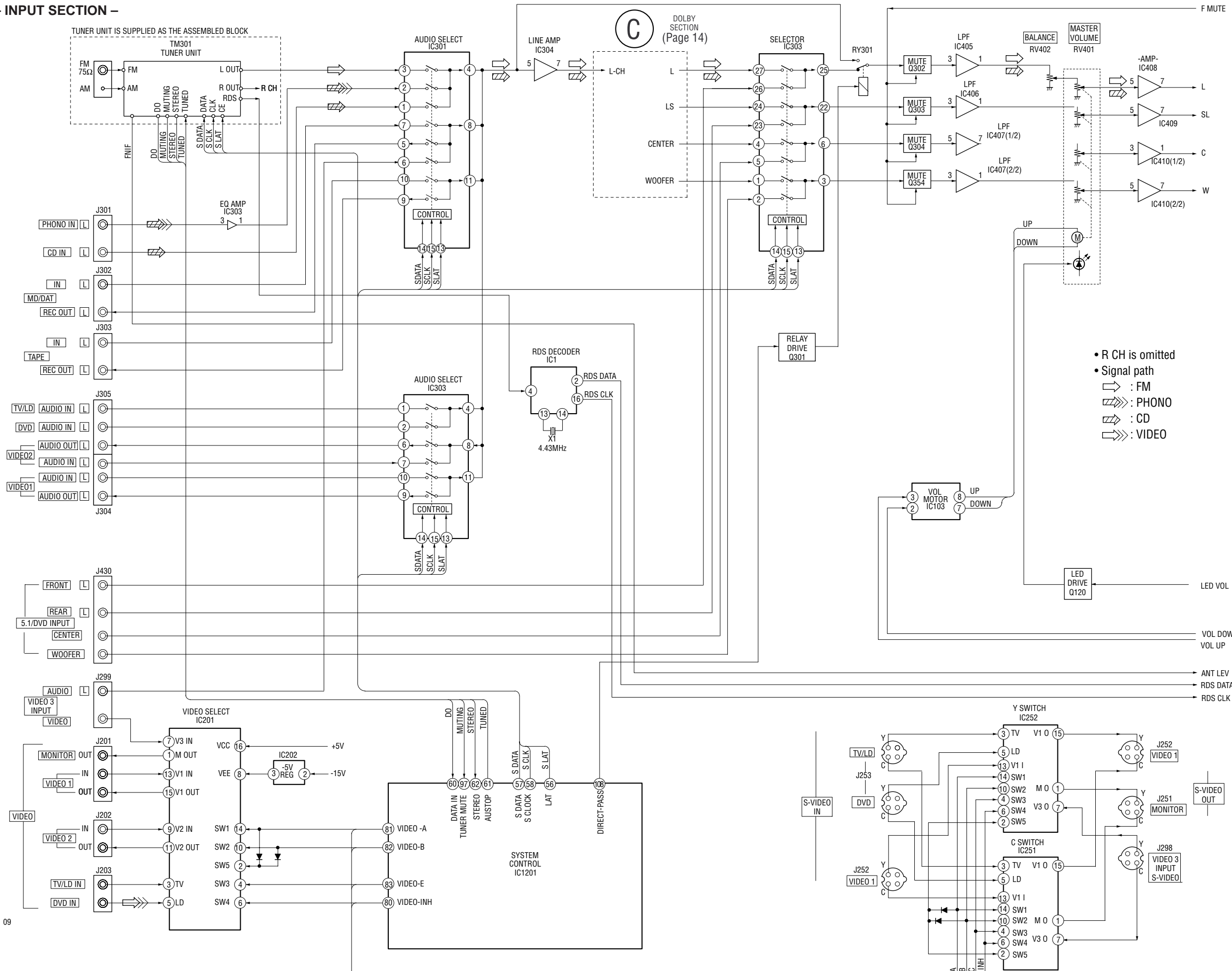
## 3-1. CIRCUIT BOARDS LOCATION



3-2. BLOCK DIAGRAMS  
- DSP SECTION -



- INPUT SECTION -

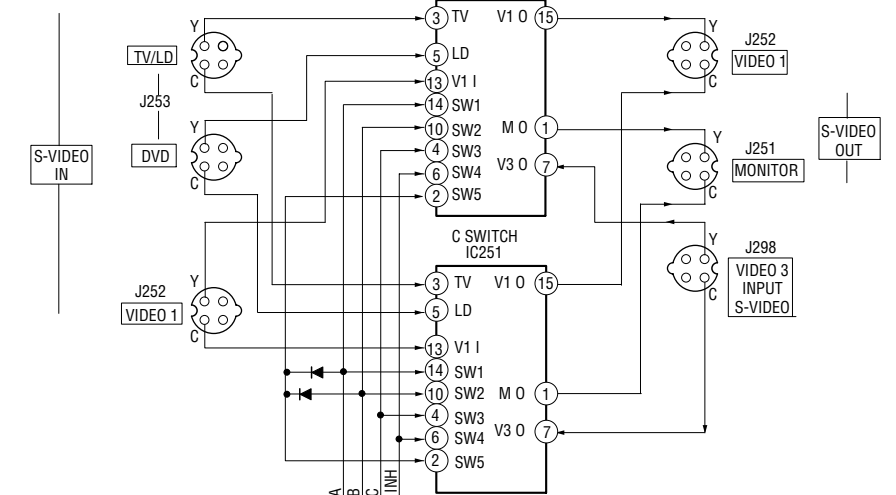


**G**  
DSP SECTION  
(Page 8)

**A**  
POWER SECTION  
(Page 11)

**B**  
POWER SECTION  
(Page 11)

- R CH is omitted
- Signal path
  - FM
  - PHONO
  - CD
  - VIDEO



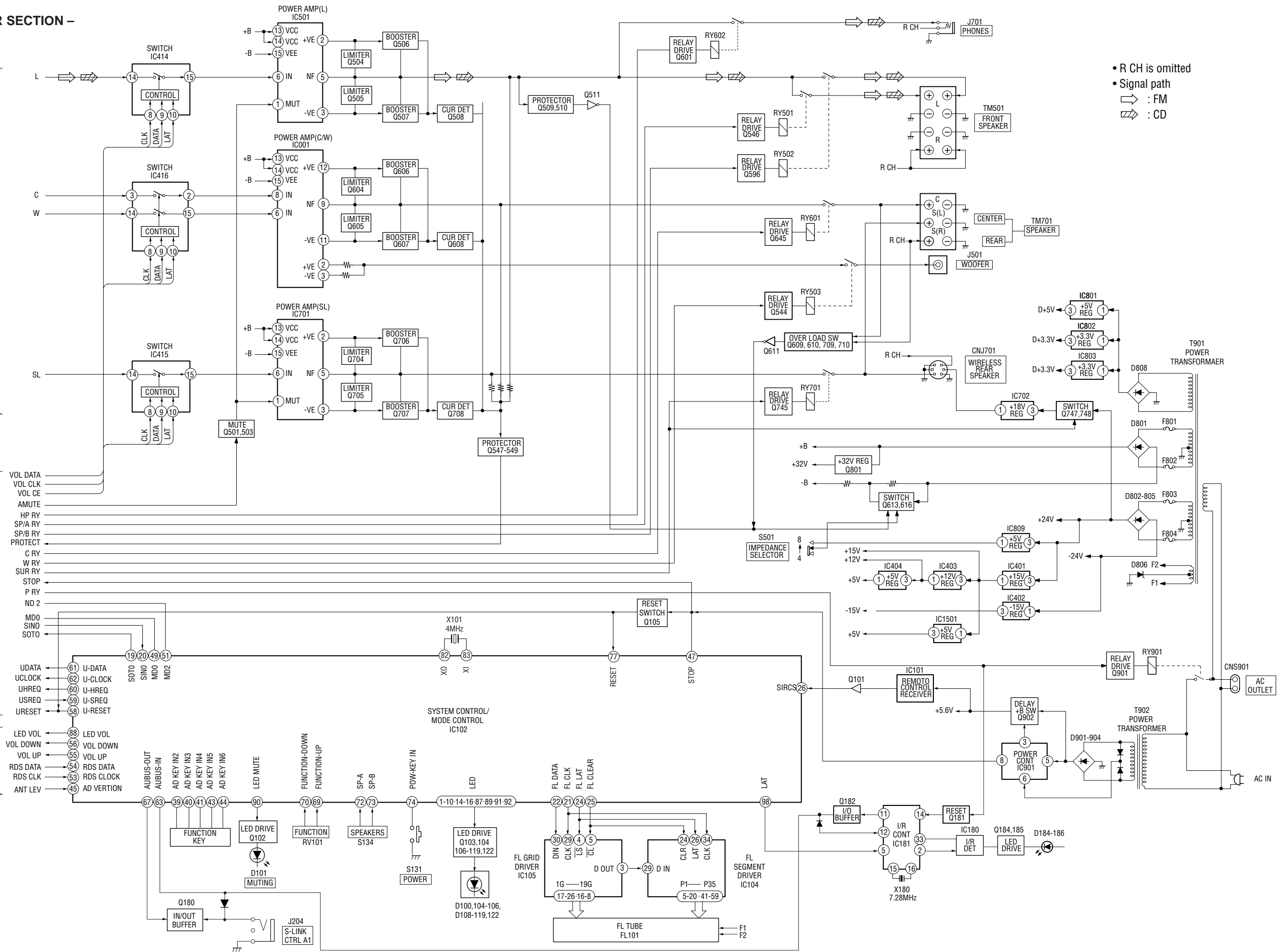


- POWER SECTION -

A INPUT SECTION (Page 10)

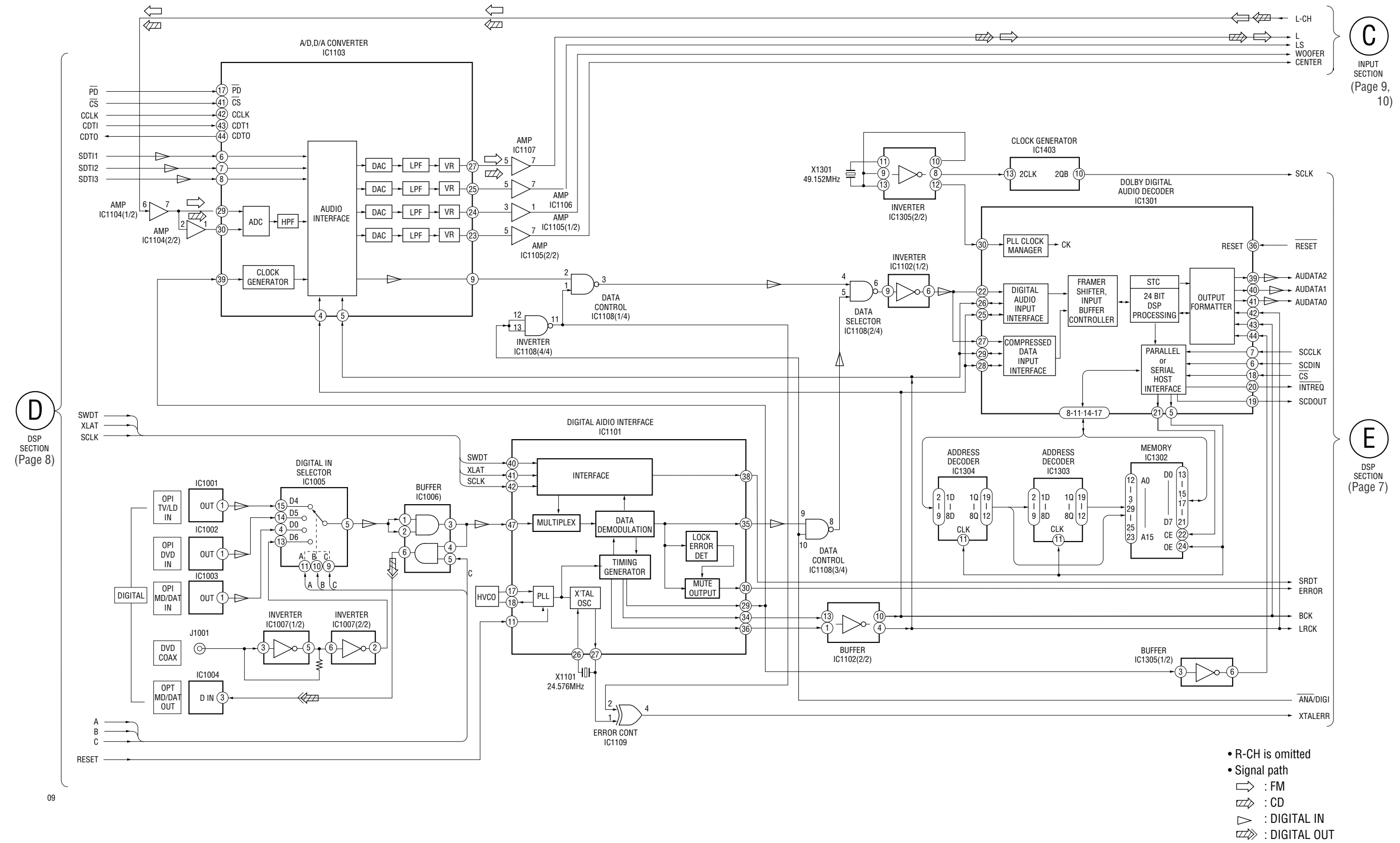
F DSP SECTION (Page 8)

B INPUT SECTION (Page 10)



- R CH is omitted
- Signal path
- : FM
- ⇨ : CD

- DOLBY SECTION -



D DSP SECTION (Page 8)

C INPUT SECTION (Page 9, 10)



E DSP SECTION (Page 7)

- R-CH is omitted
- Signal path
- ➡ : FM
- ➡➡ : CD
- ▷ : DIGITAL IN
- ➡➡➡ : DIGITAL OUT

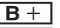
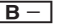














**THIS NOTE IS COMMON FOR PRINTED WIRING BOARDS AND SCHEMATIC DIAGRAMS.**  
**(In addition to this, the necessary note is printed in each block.)**

**For schematic diagrams.**

**Note:**

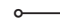



- All capacitors are in  $\mu\text{F}$  unless otherwise noted. pF:  $\mu\text{pF}$
- 50 WV or less are not indicated except for electrolytics and tantalums.
- All resistors are in  $\Omega$  and  $\frac{1}{4}W$  or less unless otherwise specified.
- $\Delta$  : internal component.
-  : nonflammable resistor.
-  : panel designation.

**Note:** The components identified by mark  $\Delta$  or dotted line with mark  $\Delta$  are critical for safety.  
 Replace only with part number specified.

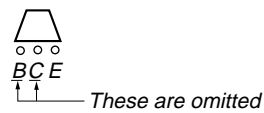
-  : B+ Line.
-  : B- Line.
- Voltages and waveforms are dc with respect to ground under no-signal (detuned) conditions.
- no mark : FM
- Voltages are taken with a VOM (Input impedance 10 M $\Omega$ ). Voltage variations may be noted due to normal production tolerances.
- Waveforms are taken with an oscilloscope. Voltage variations may be noted due to normal production tolerances.
- Circled numbers refer to waveforms.
- Signal path.
  -  : FM
  -  : AUDIO
  -  : VIDEO
  -  : SURROUND
  -  : PB (TAPE)
  -  : REC (TAPE)
  -  : Y
  -  : CHROMA
  -  : CD
  -  : PHONO
  -  : PB (MD/DAT)
  -  : REC (MD/DAT)
  -  : DIGITAL OUT
  -  : DIGITAL IN

**For printed wiring boards.**

**Note:**

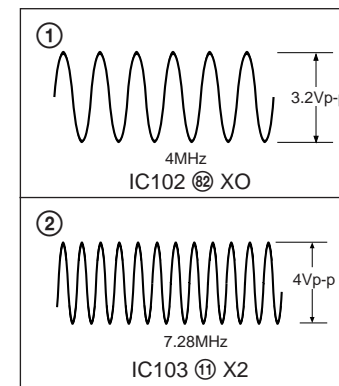
-  : parts extracted from the component side.
-  : parts extracted from the conductor side.
-  : parts mounted on the conductor side.
- $\Delta$  : internal component.
-  : Pattern from the side which enables seeing.

**• Indication of transistor**

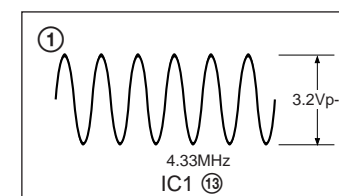


**WAVEFORMS**

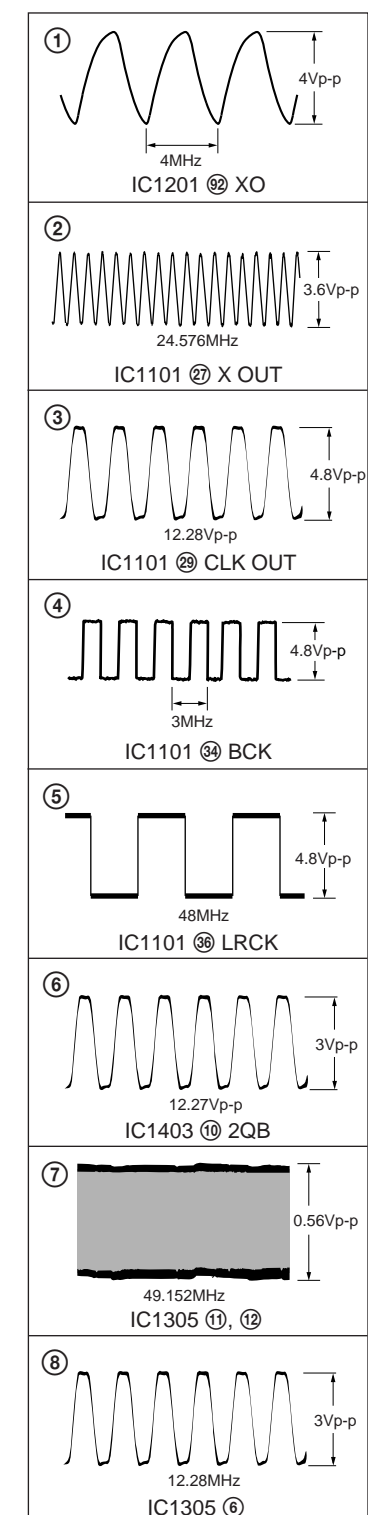
**– DISPLAY SECTION –**



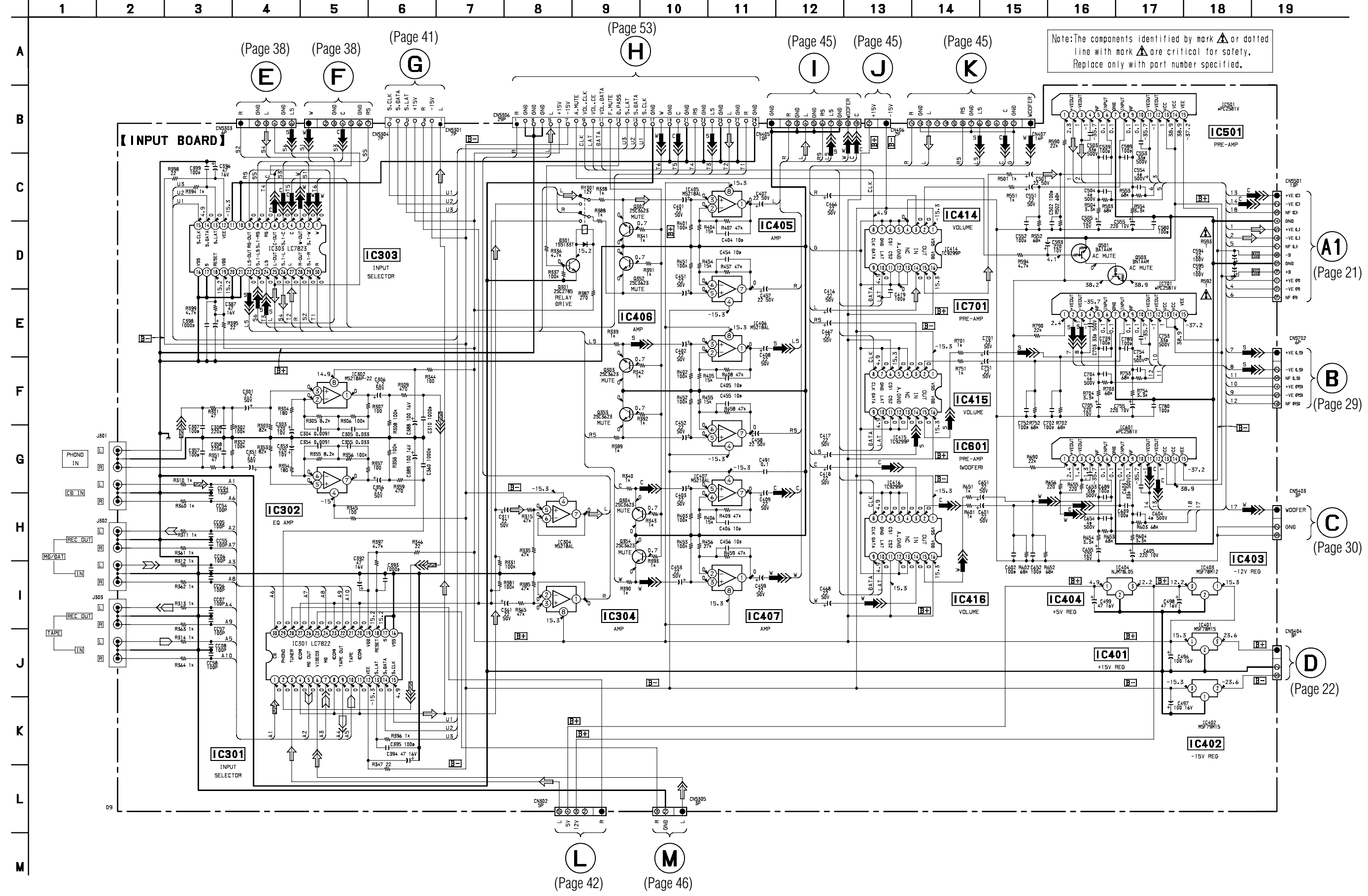
**– TUNER SECTION –**



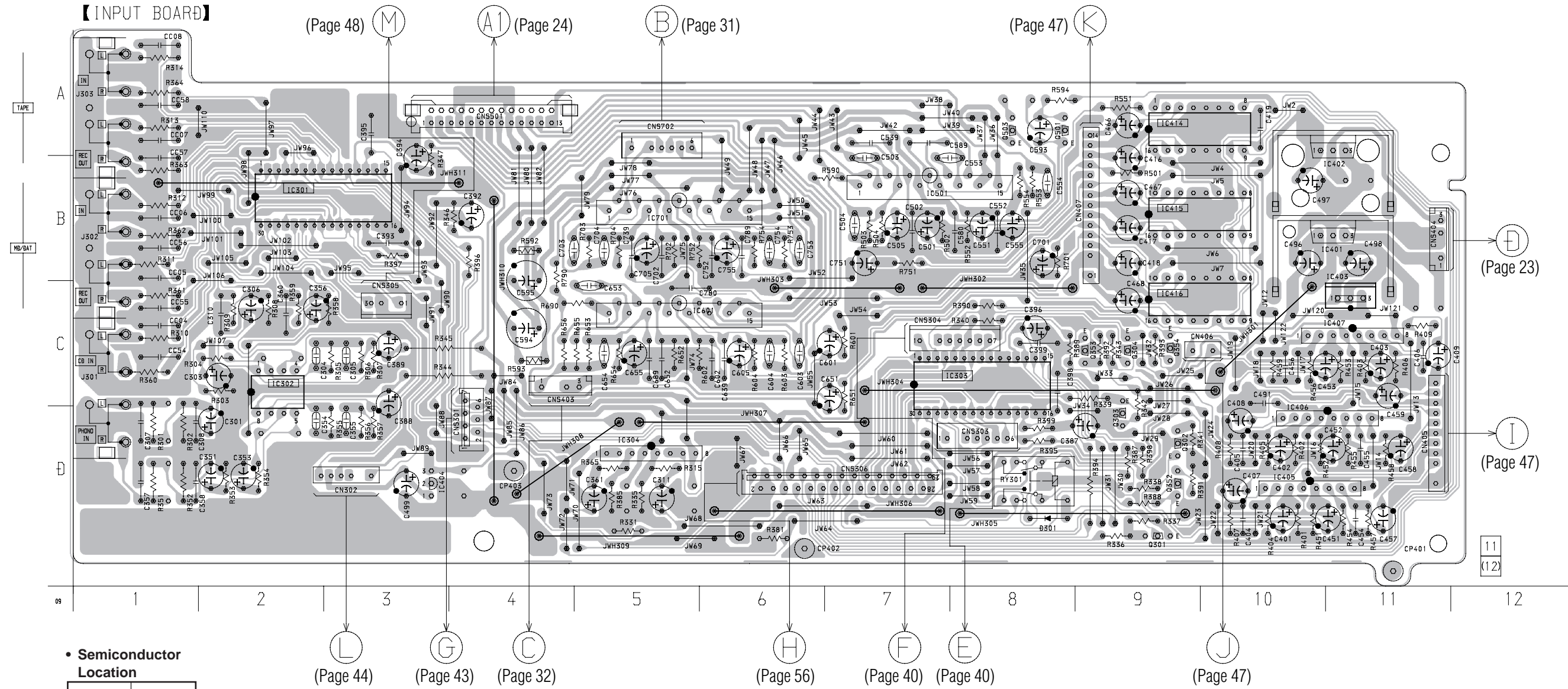
**– DIGITAL SECTION –**



3-3. SCHEMATIC DIAGRAM – INPUT SECTION –  
• See page 58 for IC Block Diagrams.



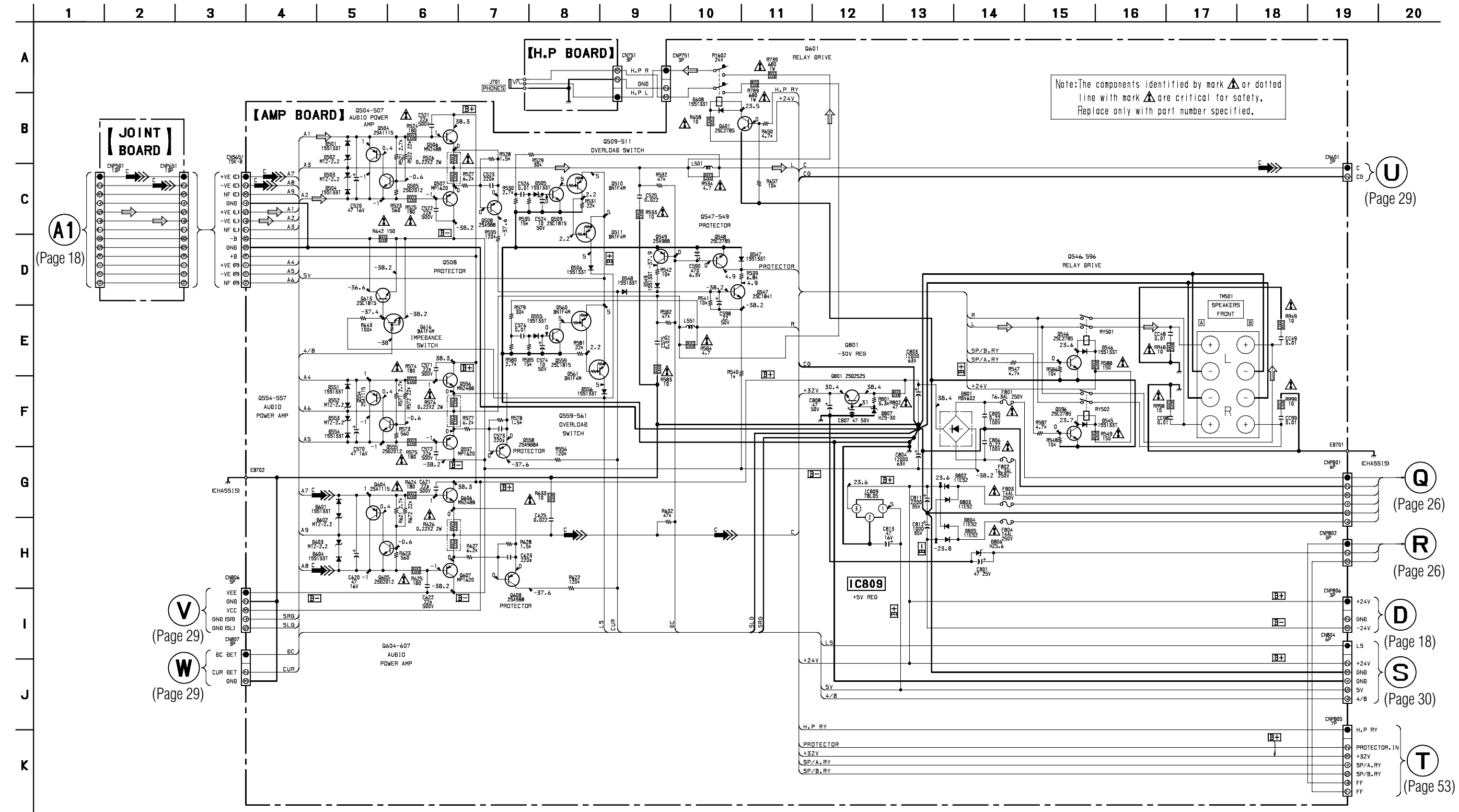
3-4. PRINTED WIRING BOARD – INPUT SECTION –  
 • See page 6 for Circuit Boards Location.



• Semiconductor Location

Ref. No.	Location
D301	D-8
IC301	B-2
IC302	C-2
IC303	C-8
IC304	D-5
IC401	B-11
IC402	B-11
IC403	C-11
IC404	D-3
IC405	D-10
IC406	D-10
IC407	C-11
IC414	A-9
IC415	B-9
IC416	C-9
IC501	B-7
IC601	C-5
IC701	B-5
Q301	E-9
Q302	D-9
Q303	D-9
Q304	C-9
Q352	D-9
Q353	C-9
Q354	C-9
Q501	A-8
Q503	A-8

3-5. SCHEMATIC DIAGRAM – POWER AMP SECTION –



Note: The components identified by mark  $\triangle$  or dotted line with mark  $\triangle$  are critical for safety. Replace only with part number specified.

A1  
(Page 18)

U  
(Page 29)

V  
(Page 29)

W  
(Page 29)

Q  
(Page 26)

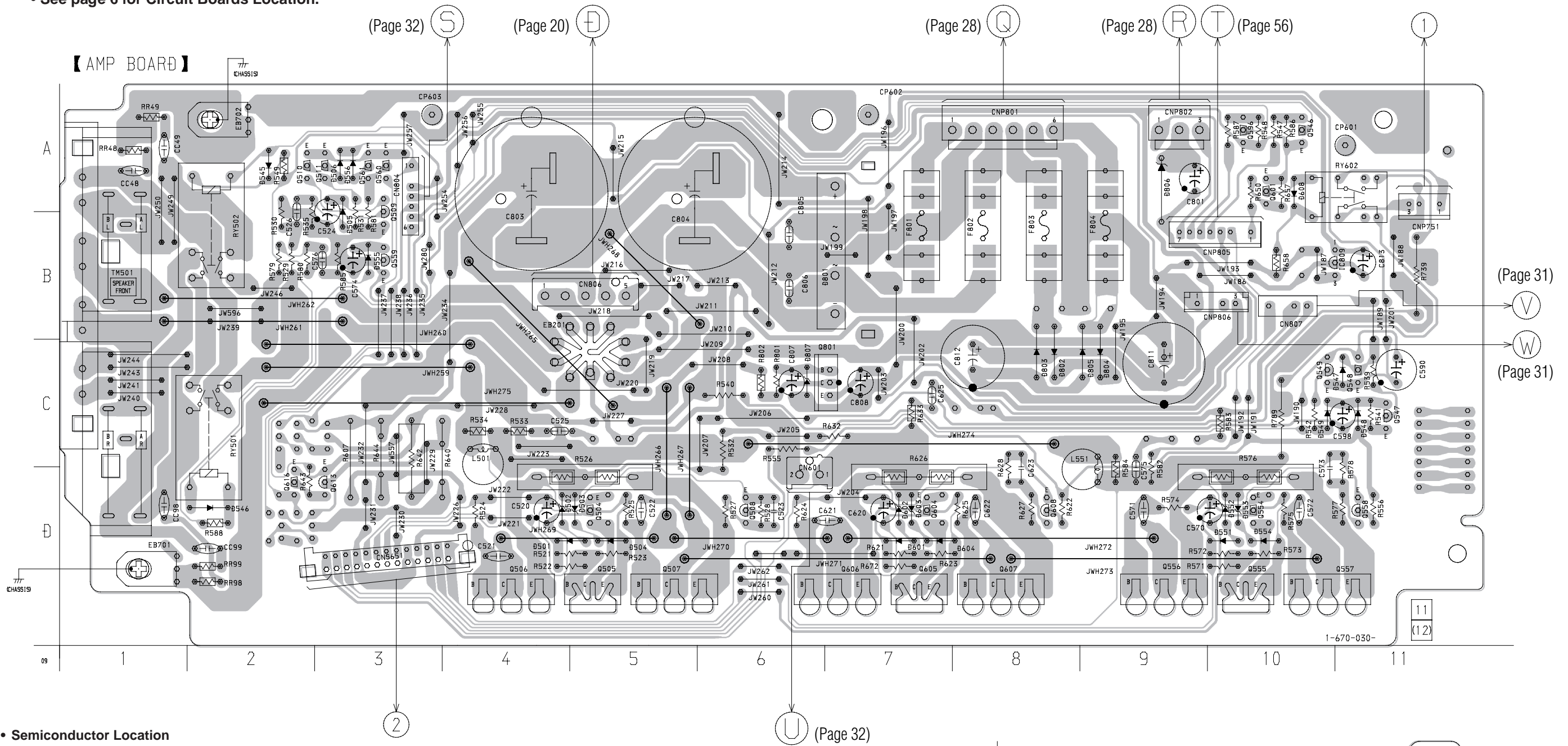
R  
(Page 26)

D  
(Page 18)

S  
(Page 30)

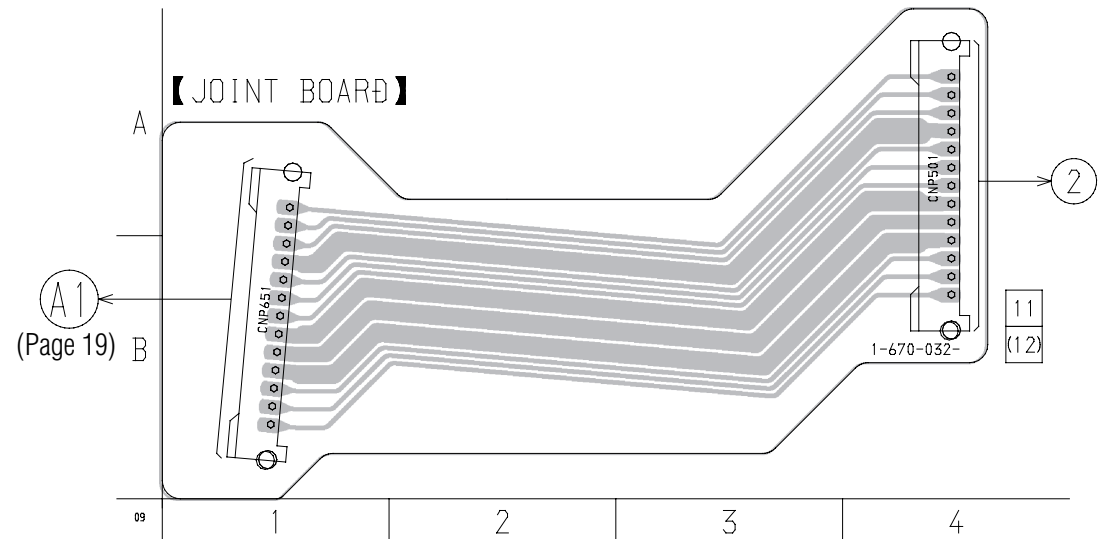
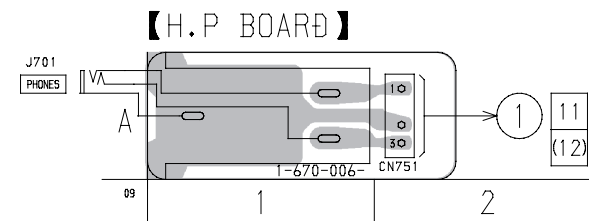
T  
(Page 53)

3-6. PRINTED WIRING BOARD – POWER AMP SECTION –  
 • See page 6 for Circuit Boards Location.

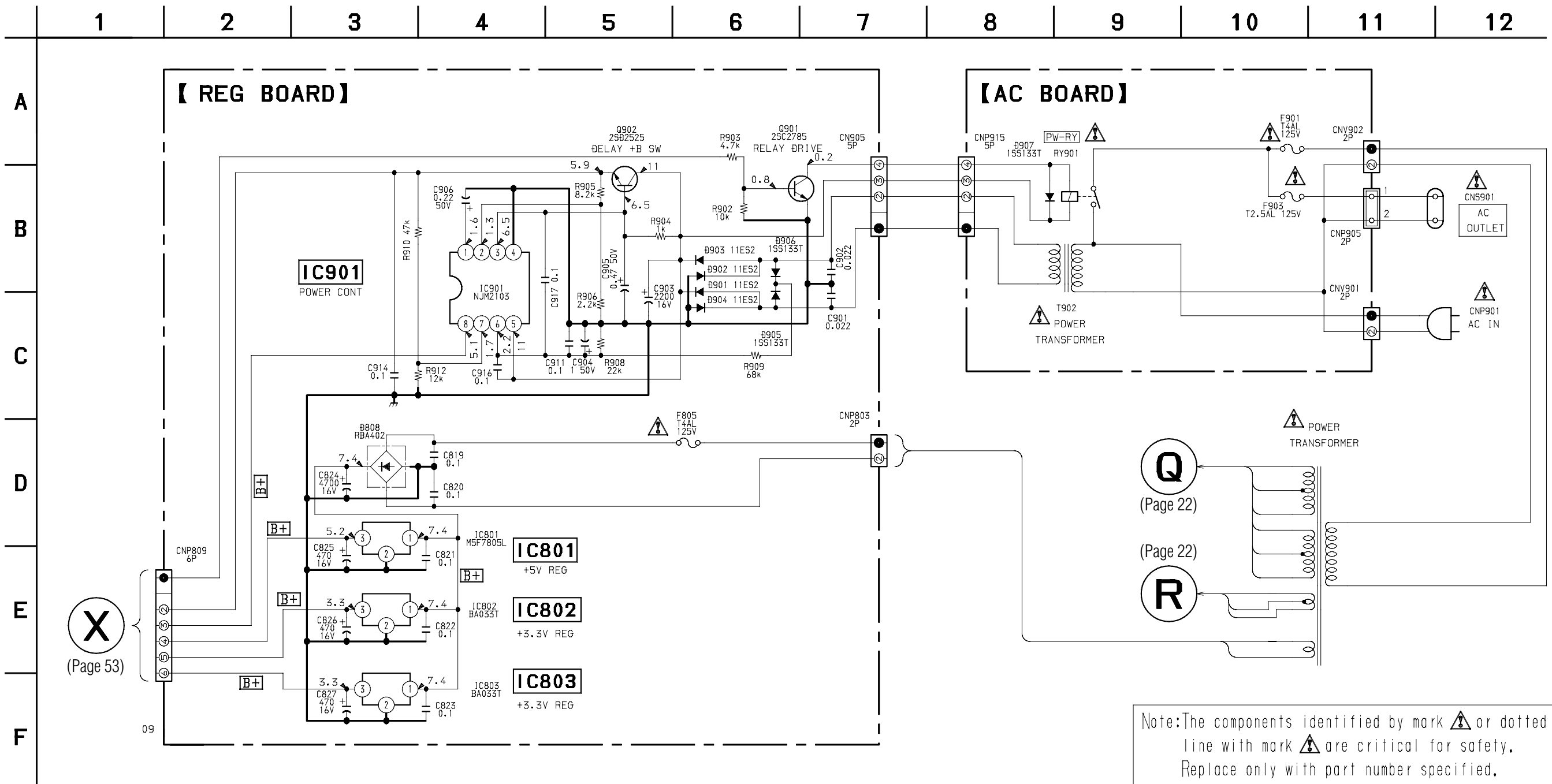


• Semiconductor Location

Ref. No.	Location	Ref. No.	Location	Ref. No.	Location
D501	D-4	D608	A-10	Q548	C-11
D502	D-4	D801	B-7	Q549	C-10
D503	D-5	D802	C-8	Q554	D-10
D504	D-5	D803	C-8	Q555	D-10
D505	A-3	D804	C-9	Q556	D-9
D506	A-3	D805	C-9	Q557	D-10
D545	A-2	D806	A-9	Q558	D-11
D546	D-2	D807	C-6	Q559	B-3
D547	C-11			Q560	A-3
D548	C-11	IC809	B-10	Q561	A-3
D549	C-10			Q596	A-10
D551	D-10	Q504	D-5	Q601	A-10
D552	D-10	Q505	D-5	Q604	D-7
D553	D-10	Q506	D-4	Q605	D-7
D554	D-10	Q507	D-5	Q606	D-7
D555	B-3	Q508	D-6	Q607	D-8
D556	A-3	Q509	A-3	Q608	D-8
D601	D-7	Q510	A-2	Q613	D-3
D602	D-7	Q511	A-3	Q616	D-2
D603	D-7	Q546	A-10	Q801	C-7
D604	D-7	Q547	C-11		

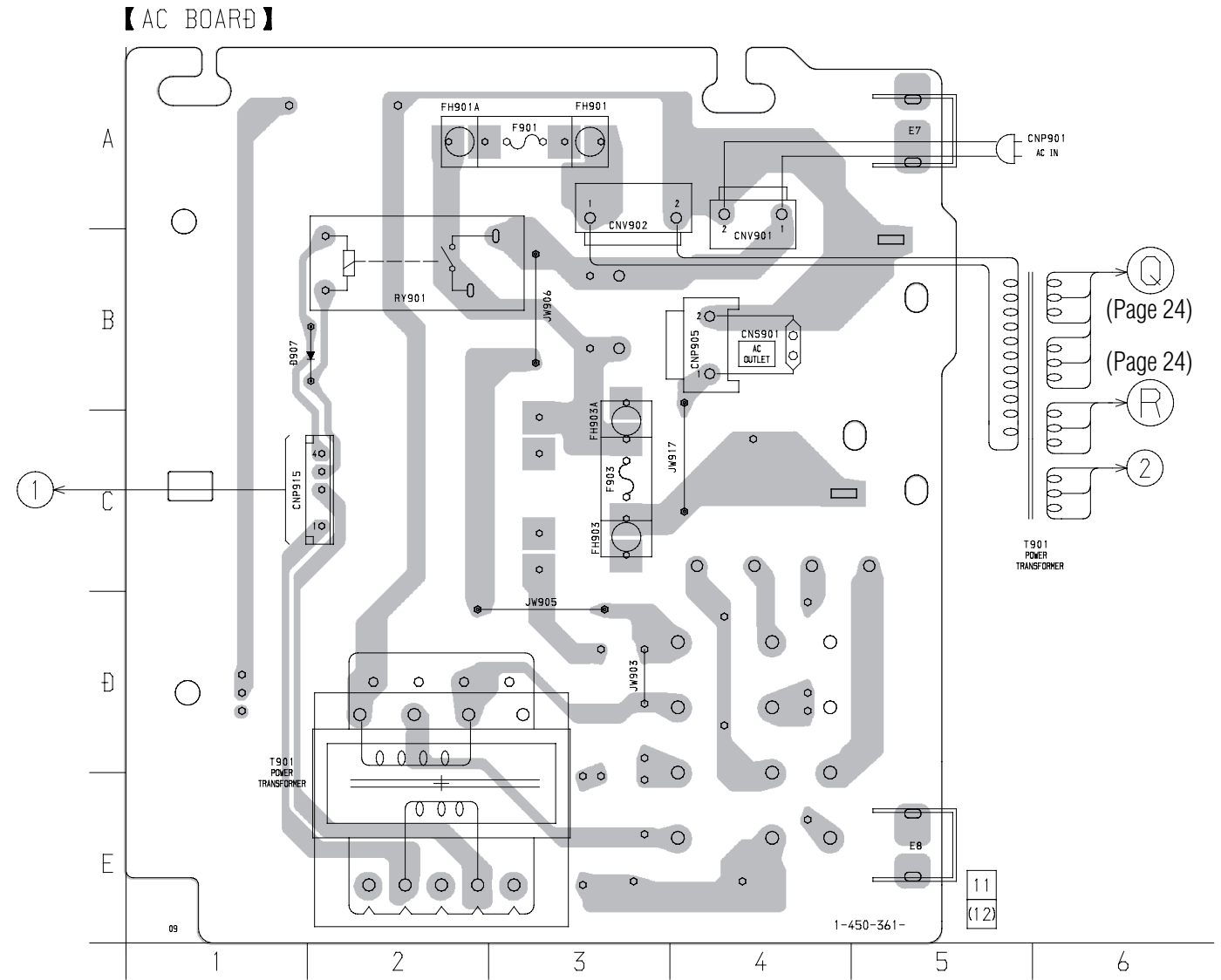
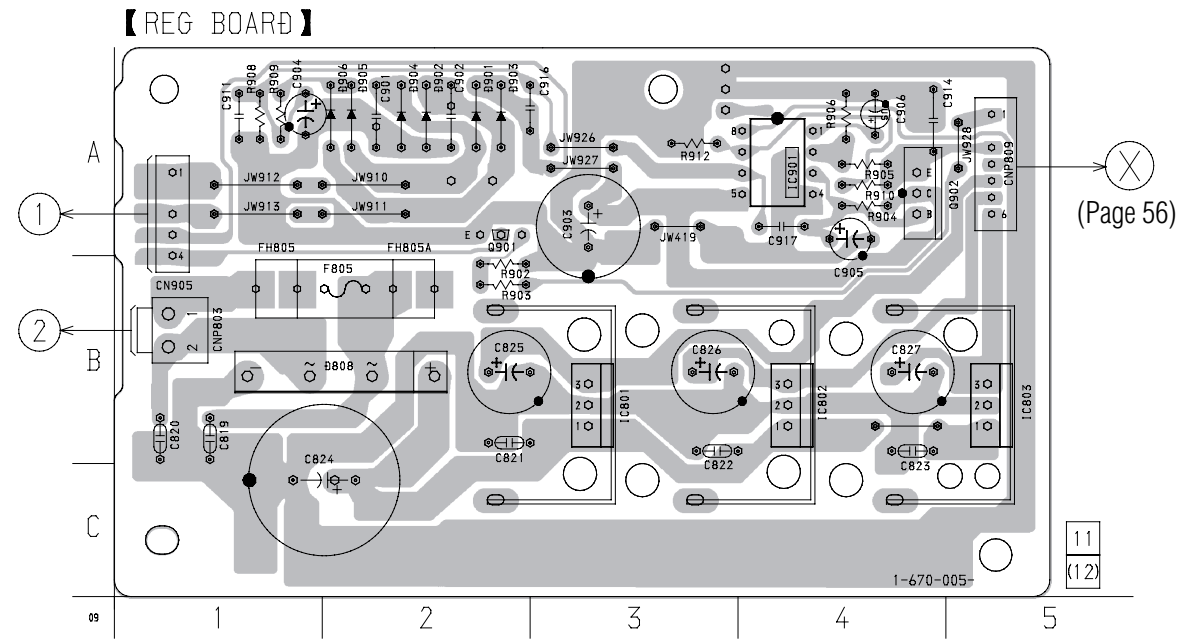


3-7. SCHEMATIC DIAGRAM – TRANS SECTION –  
 • See page 58 for IC Block Diagrams.

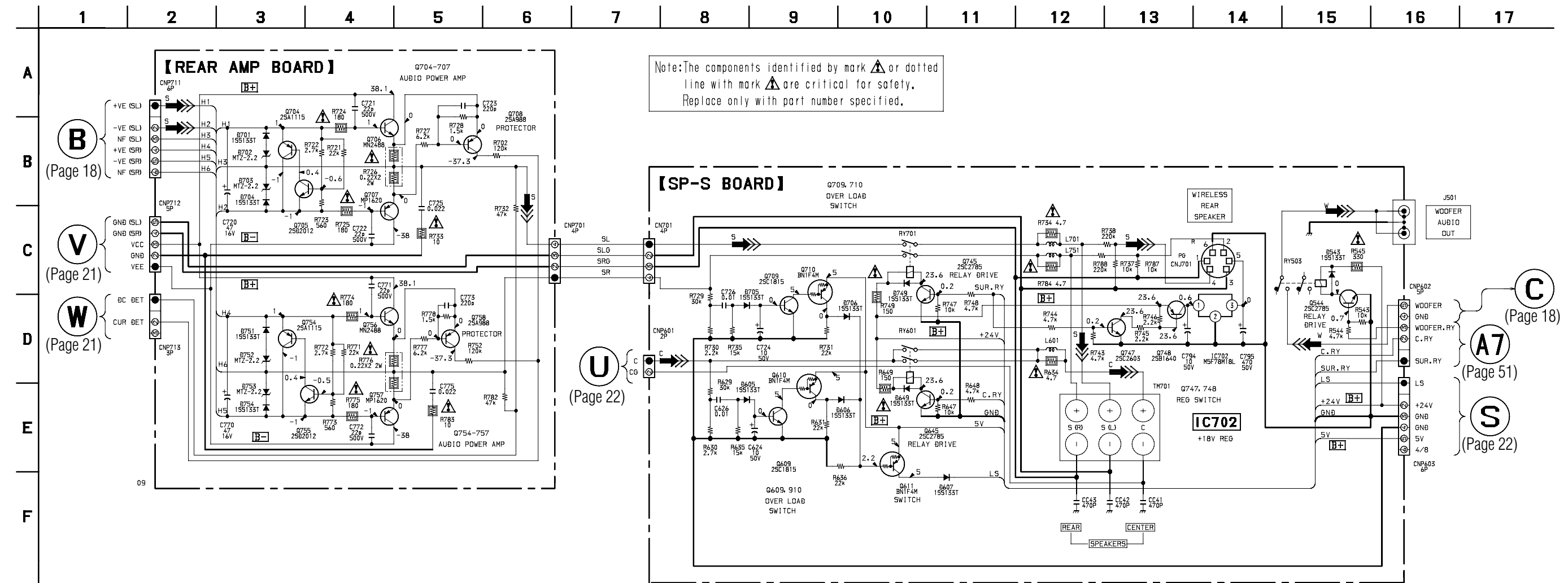




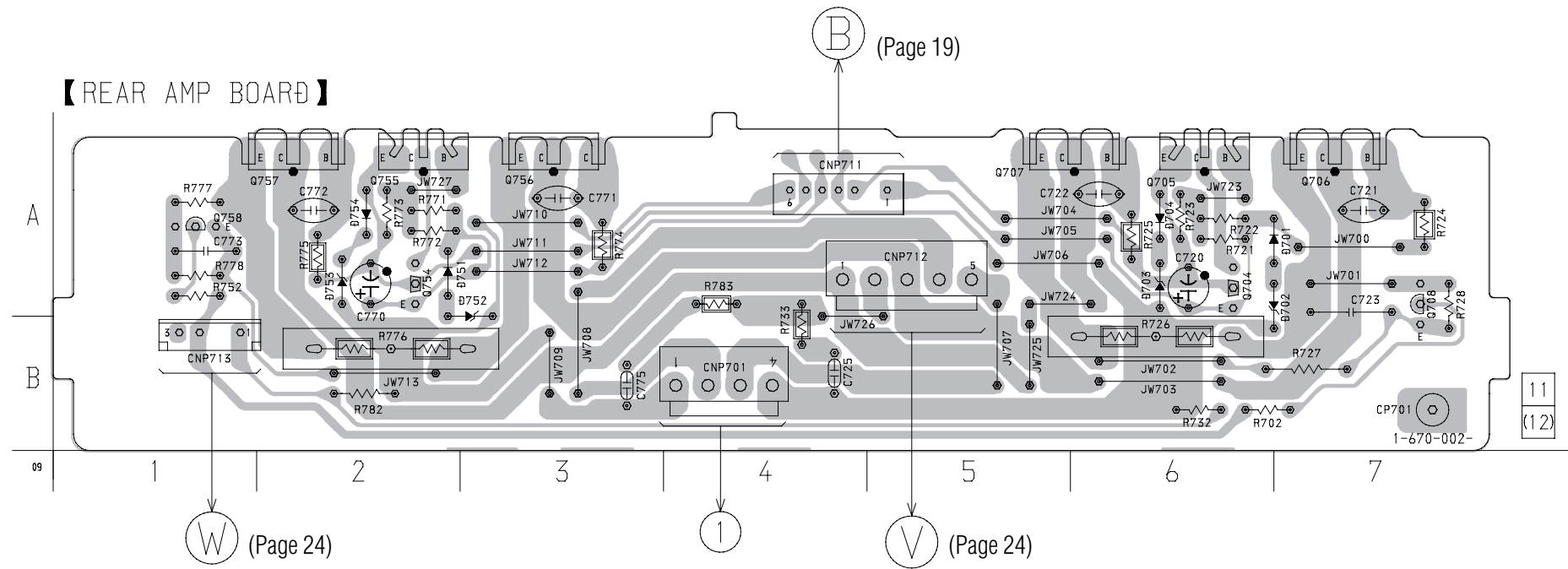
3-8. PRINTED WIRING BOARD – TRANS SECTION –  
 • See page 6 for Circuit Boards Location.



3-9. SCHEMATIC DIAGRAM – REAR AMP SECTION –

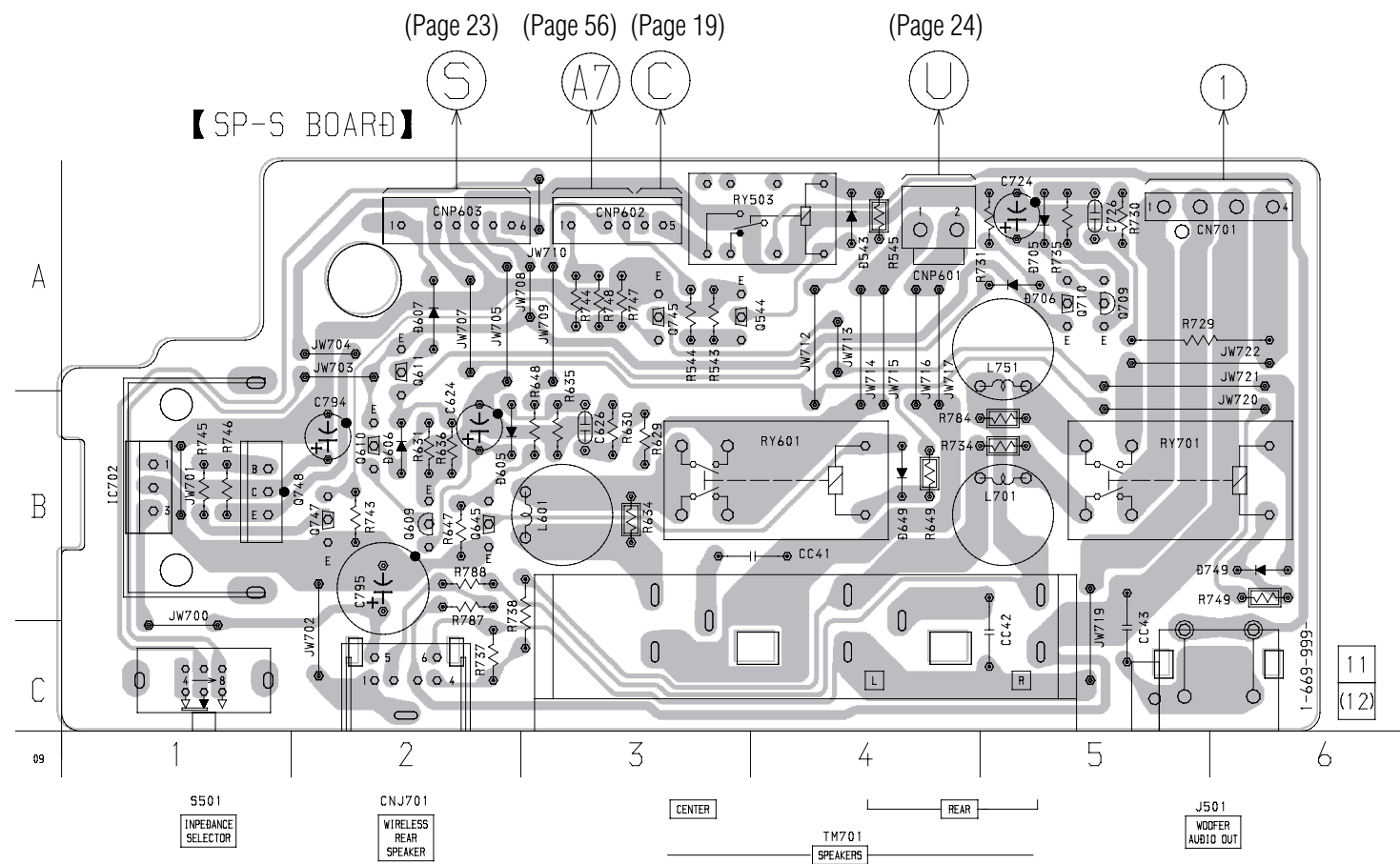


3-10. PRINTED WIRING BOARD – REAR AMP SECTION –  
 • See page 6 for Circuit Boards Location.



• Semiconductor Location

Ref. No.	Location
D701	A-7
D702	A-7
D703	A-6
D704	A-6
D751	A-2
D752	A-3
D753	A-2
D754	A-2
Q704	A-6
Q705	A-6
Q706	A-7
Q707	A-5
Q708	A-7
Q754	A-2
Q755	A-2
Q756	A-3
Q757	A-2
Q758	A-1

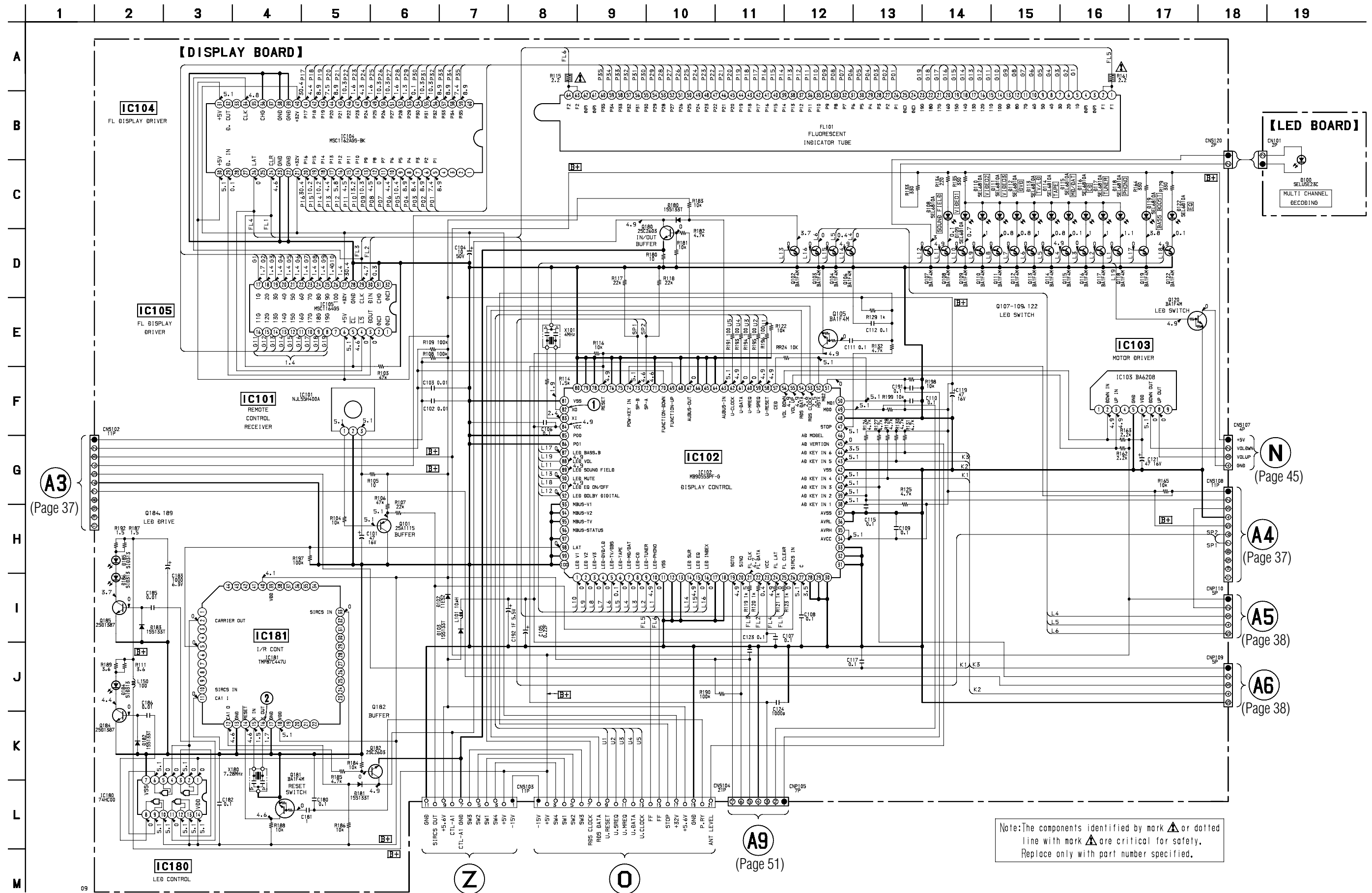


• Semiconductor Location

Ref. No.	Location
D543	A-4
D605	B-2
D606	B-2
D607	A-2
D649	B-4
D705	A-5
D706	A-5
D749	B-6
IC702	B-1
Q544	A-4
Q609	B-2
Q610	B-2
Q611	A-2
Q645	B-2
Q709	A-5
Q710	A-5
Q745	A-3
Q747	B-2
Q748	B-1

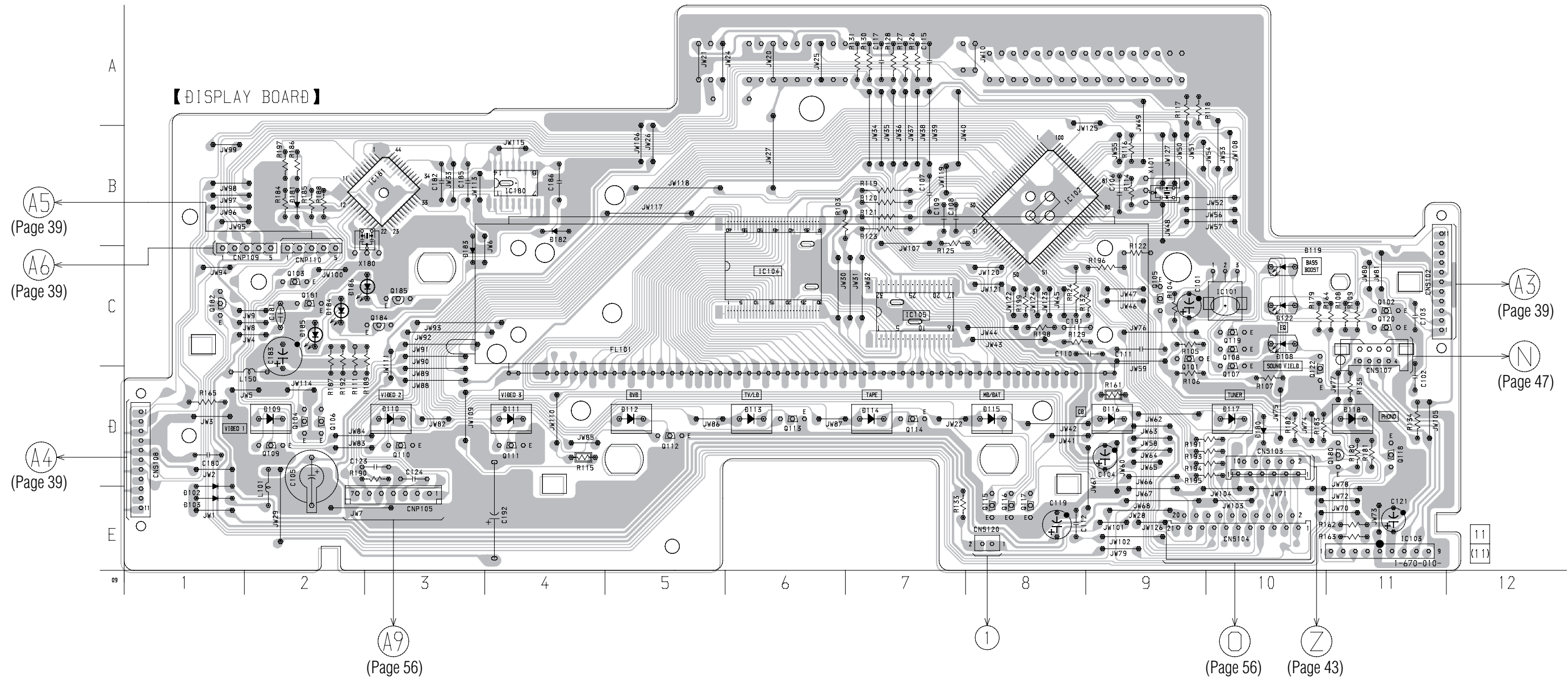
3-11. SCHEMATIC DIAGRAM – DISPLAY SECTION –

- See page 16 for Waveforms.
- See page 57 for IC Block Diagrams.
- See page 60 for IC Pin Functions.



Note: The components identified by mark  $\Delta$  or dotted line with mark  $\Delta$  are critical for safety. Replace only with part number specified.

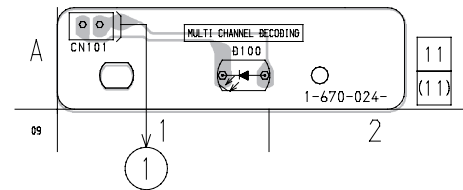
3-12. PRINTED WIRING BOARD – DISPLAY SECTION –  
 • See page 6 for Circuit Boards Location.



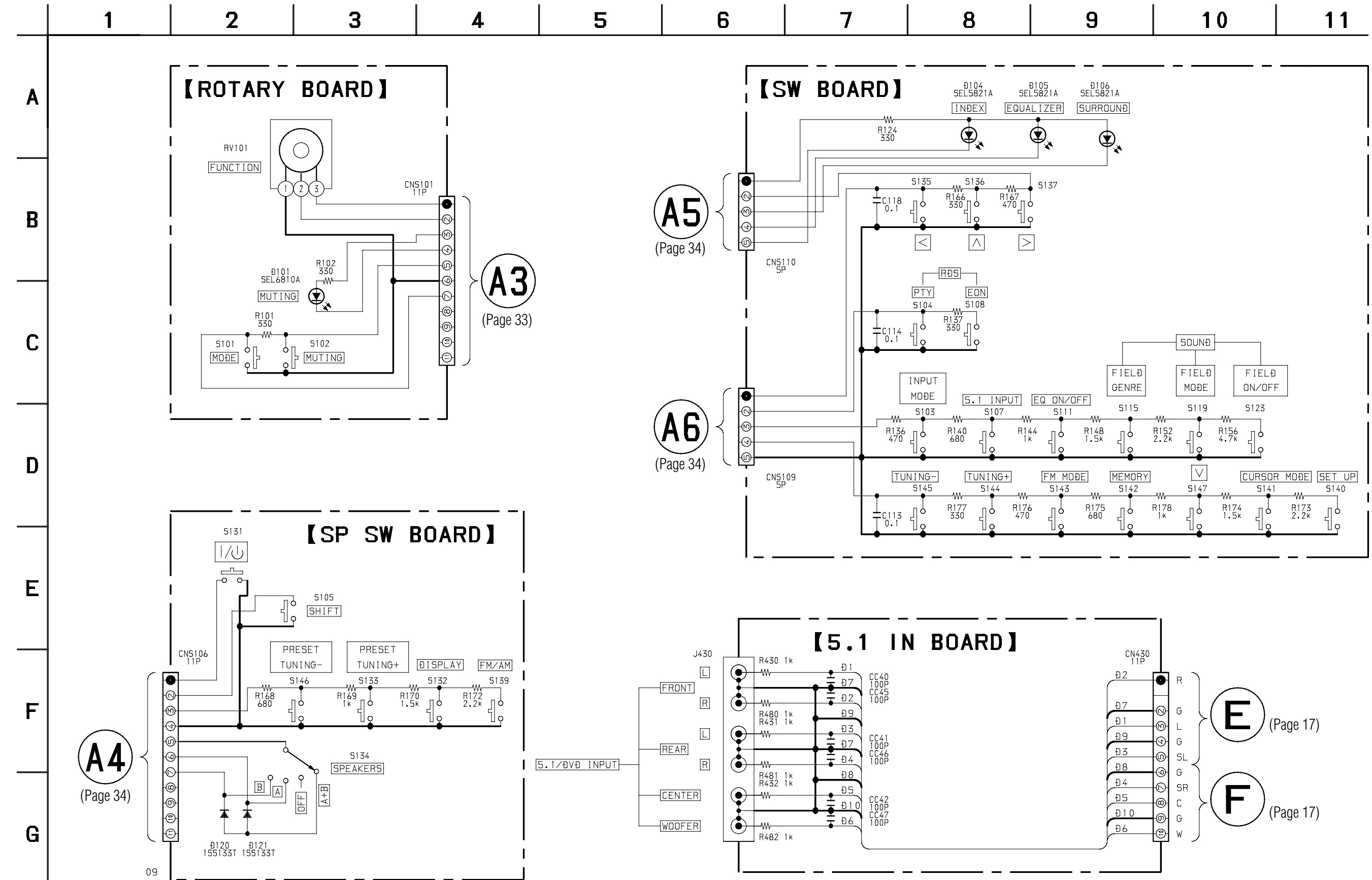
• Semiconductor Location

Ref. No.	Location	Ref. No.	Location	Ref. No.	Location
D102	E-1	D184	C-2	Q108	C-10
D103	E-1	D185	C-2	Q109	D-2
D108	C-10	D186	C-3	Q110	D-3
D109	D-2			Q111	D-4
D110	D-3	IC101	C-9	Q112	D-5
D111	D-4	IC102	B-8	Q113	D-6
D112	D-5	IC103	E-11	Q114	D-7
D113	D-6	IC104	C-6	Q115	E-8
D114	D-7	IC105	C-7	Q116	E-8
D115	D-8	IC180	B-4	Q117	E-8
D116	D-9	IC181	B-3	Q118	D-11
D117	D-10			Q119	C-10
D118	D-11	Q101	D-9	Q120	C-11
D119	C-10	Q102	C-11	Q122	D-11
D122	C-10	Q103	C-2	Q180	D-11
D180	D-10	Q104	D-2	Q181	C-2
D181	B-2	Q105	C-9	Q182	C-1
D182	B-4	Q106	D-2	Q184	C-3
D183	C-3	Q107	D-1	Q185	C-3

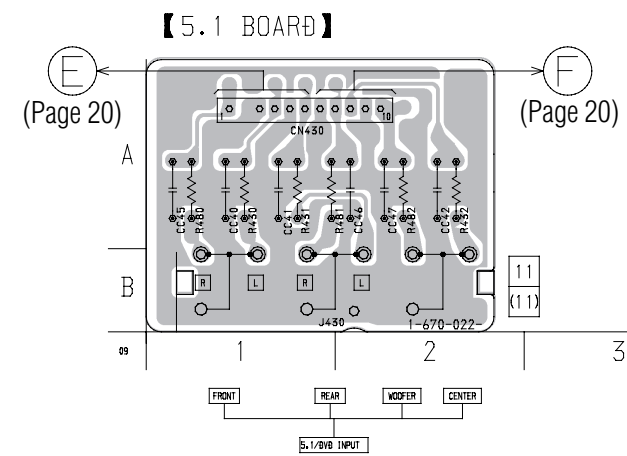
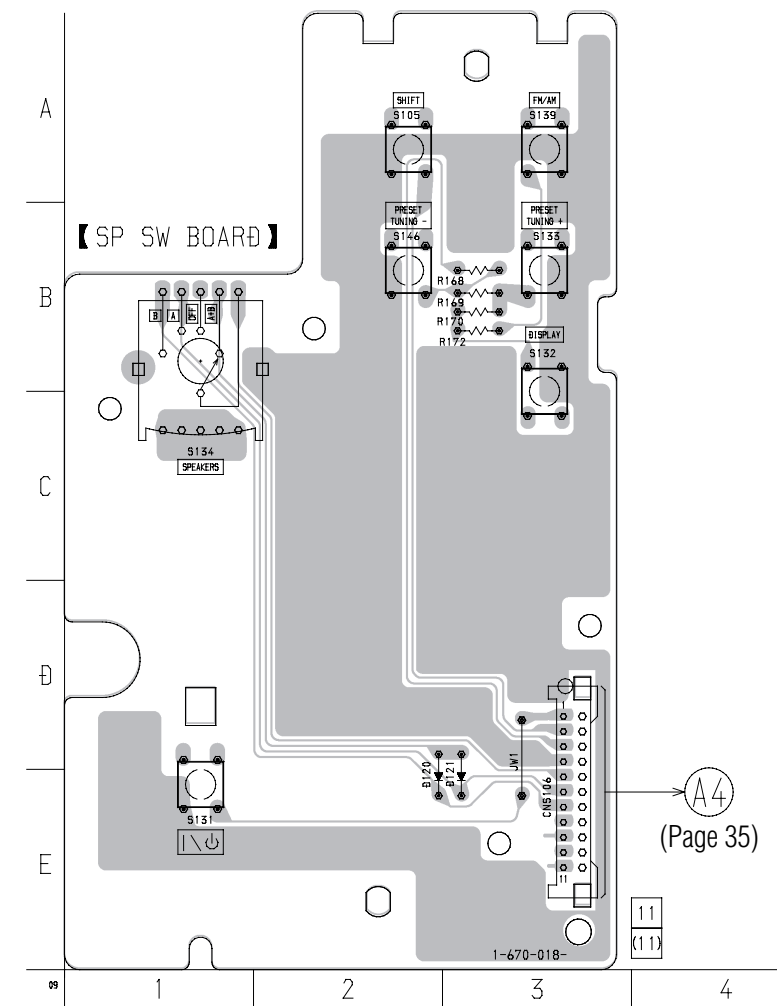
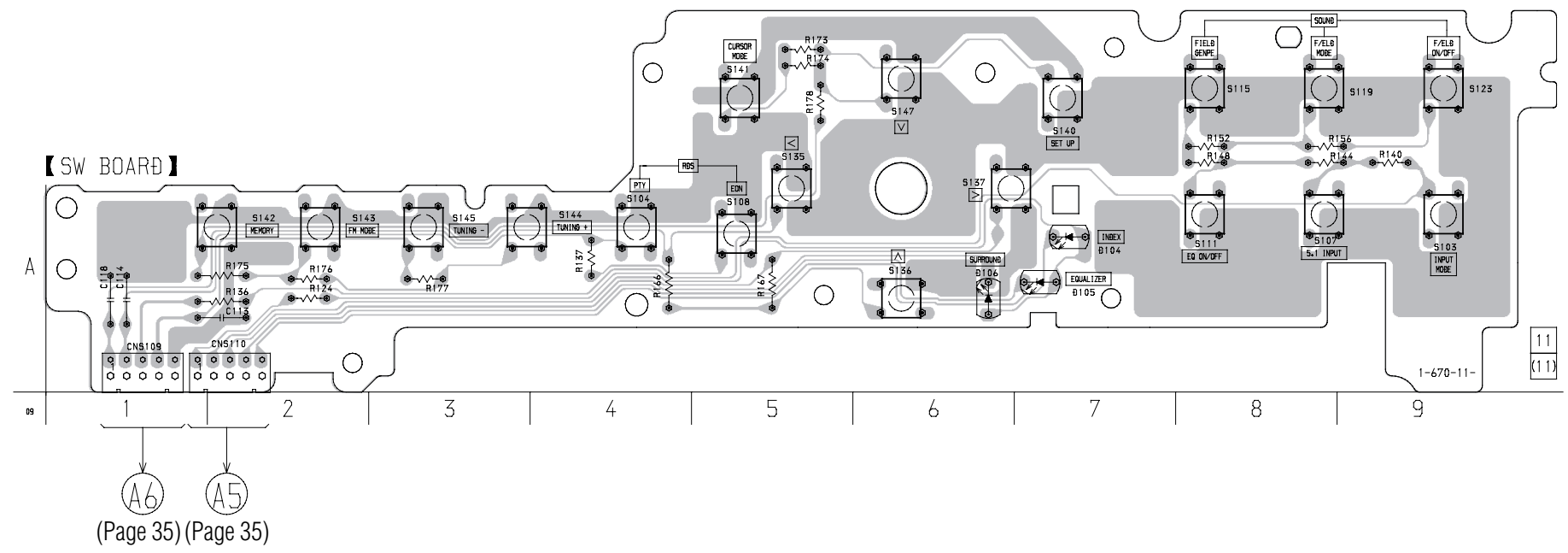
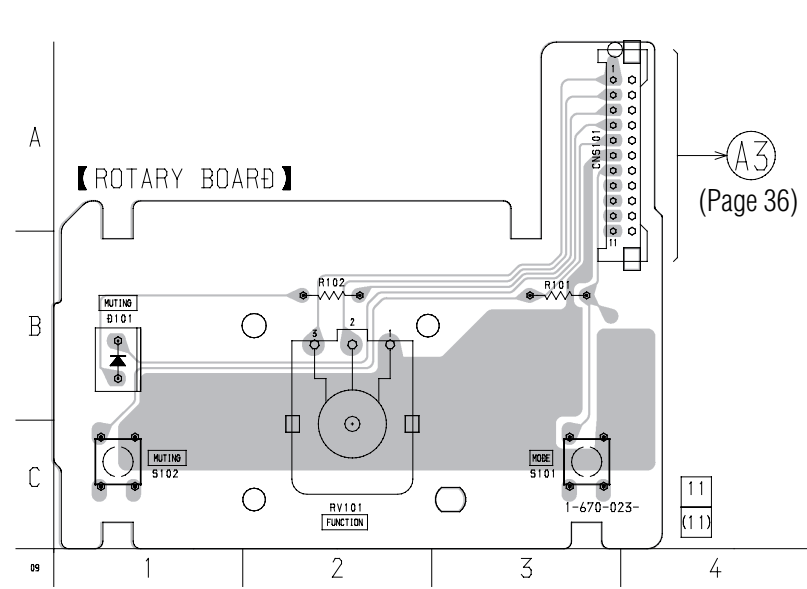
【LED BOARD】



3-13. SCHEMATIC DIAGRAM – PANEL SECTION –



3-14. PRINTED WIRING BOARD – PANEL SECTION –  
 • See page 6 for Circuit Boards Location.



3-15. SCHEMATIC DIAGRAM – BACK PANEL SECTION –

- See page 16 for Waveforms.
- See page 58 for IC Block Diagrams.

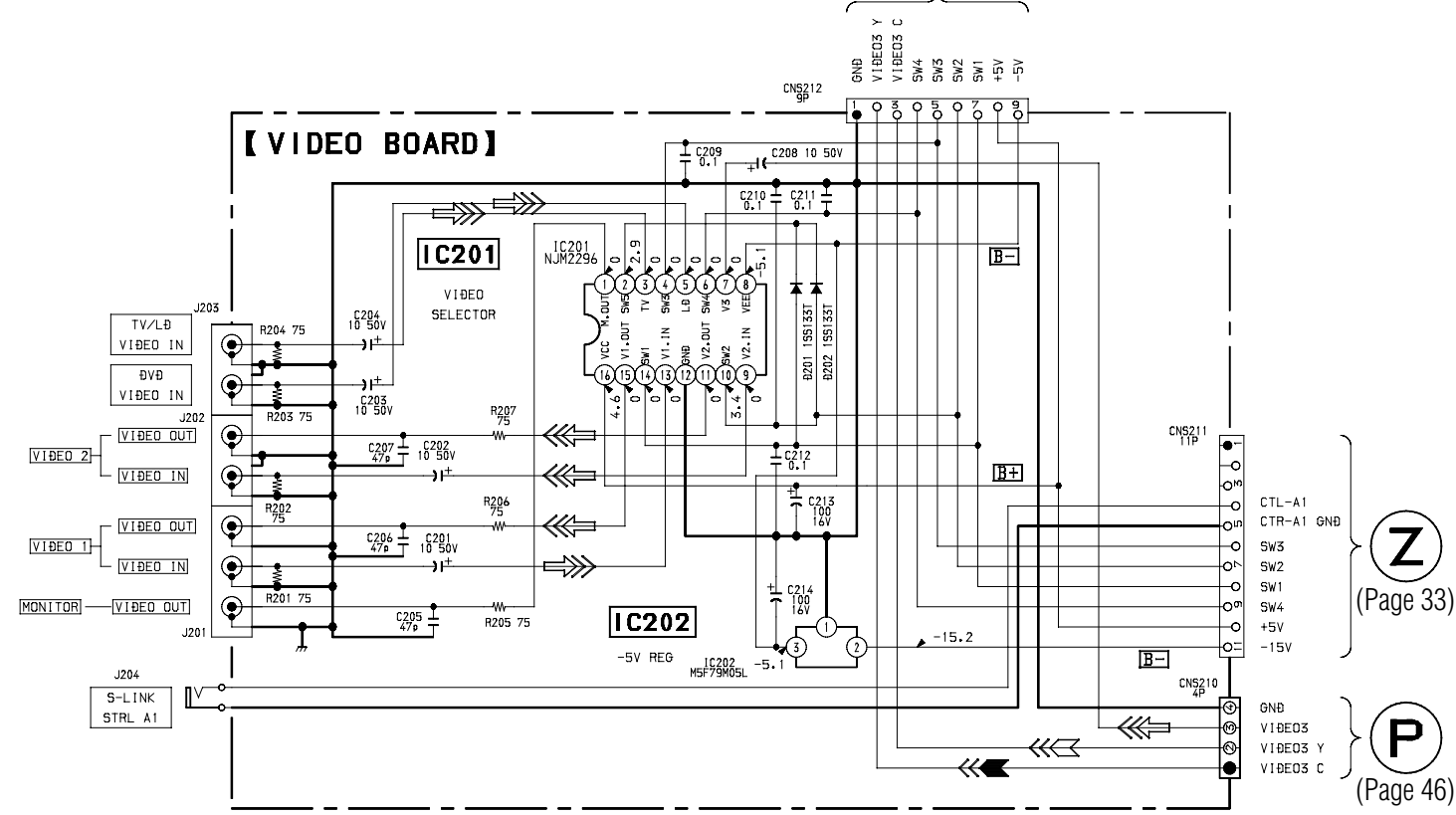
1 2 3 4 5 6 7 8 9 10 11 12 13 14 15 16 17

A  
B  
C  
D  
E  
F  
G  
H  
I  
J

(Page 42)

Y

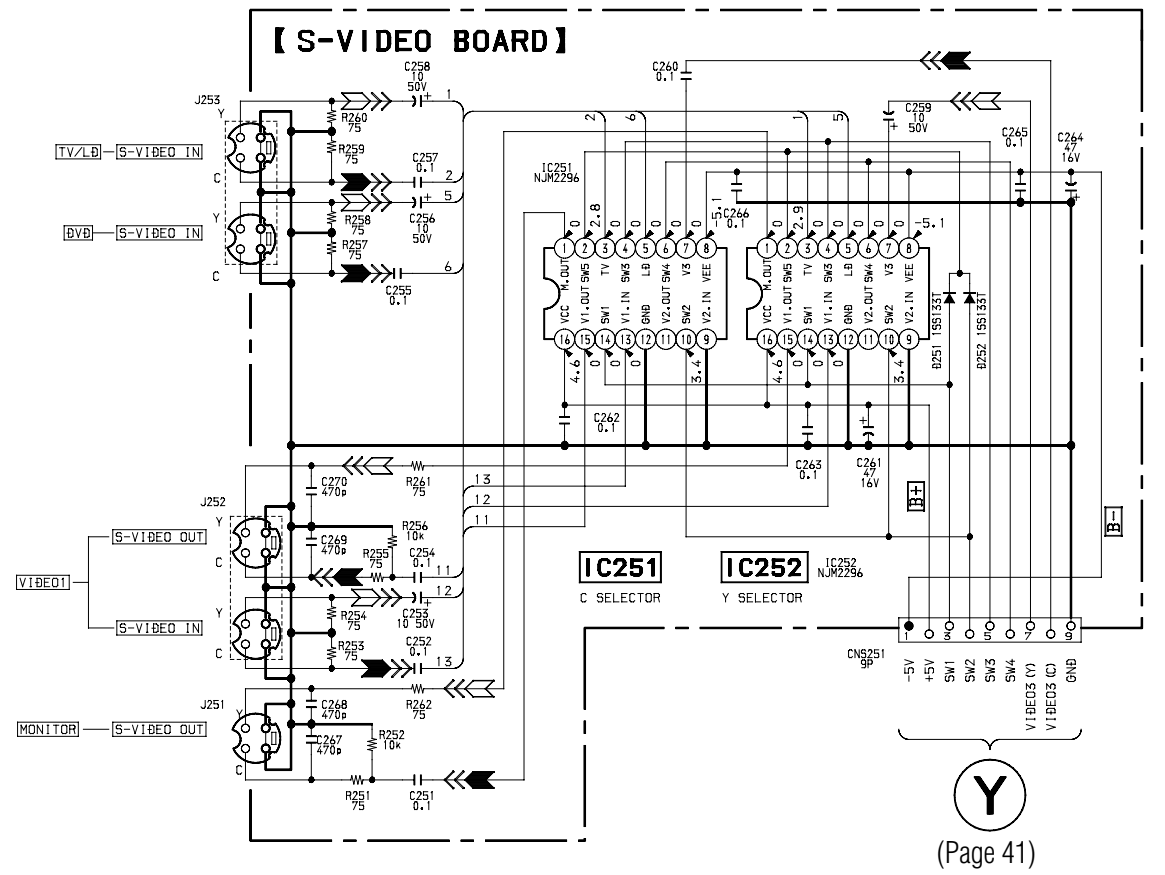
【VIDEO BOARD】



Z  
(Page 33)

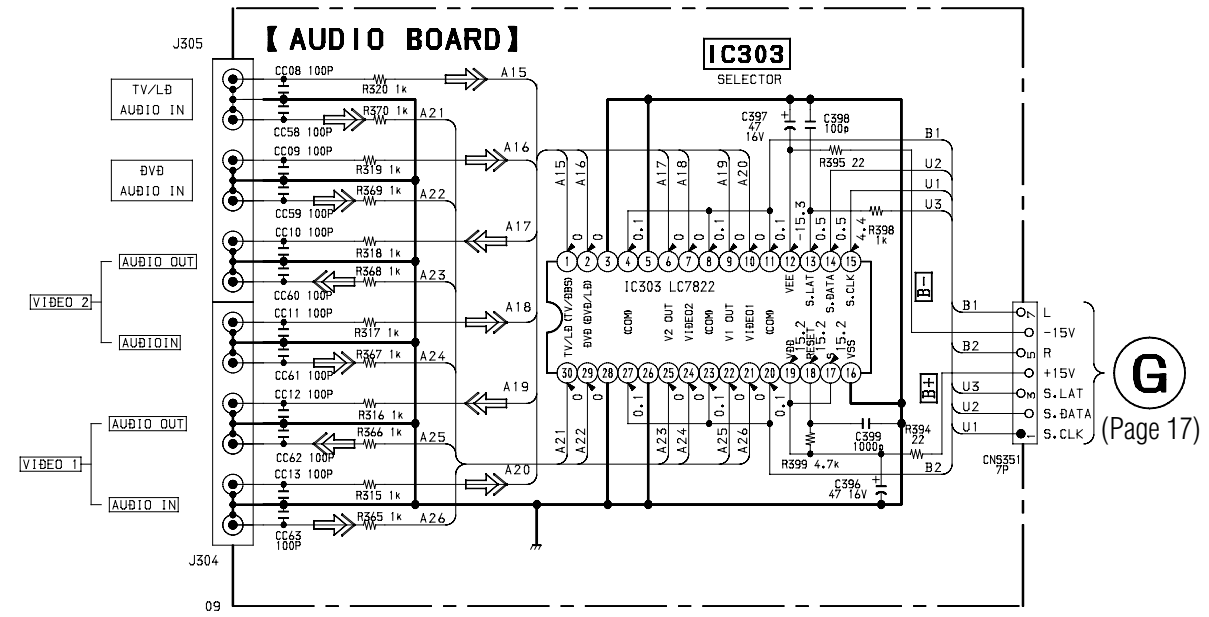
P  
(Page 46)

【S-VIDEO BOARD】



Y  
(Page 41)

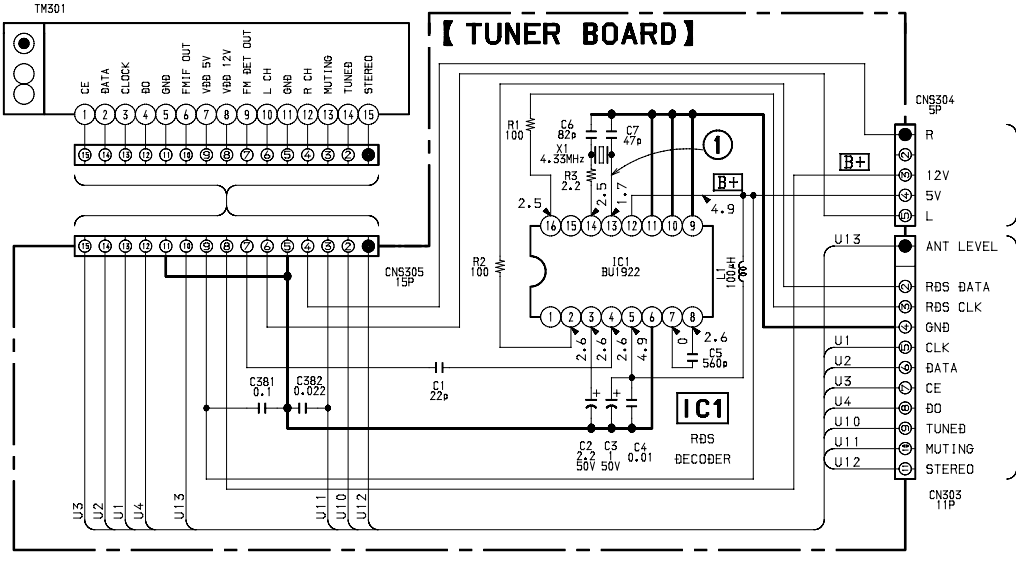
【AUDIO BOARD】



G  
(Page 17)

TM301

【TUNER BOARD】

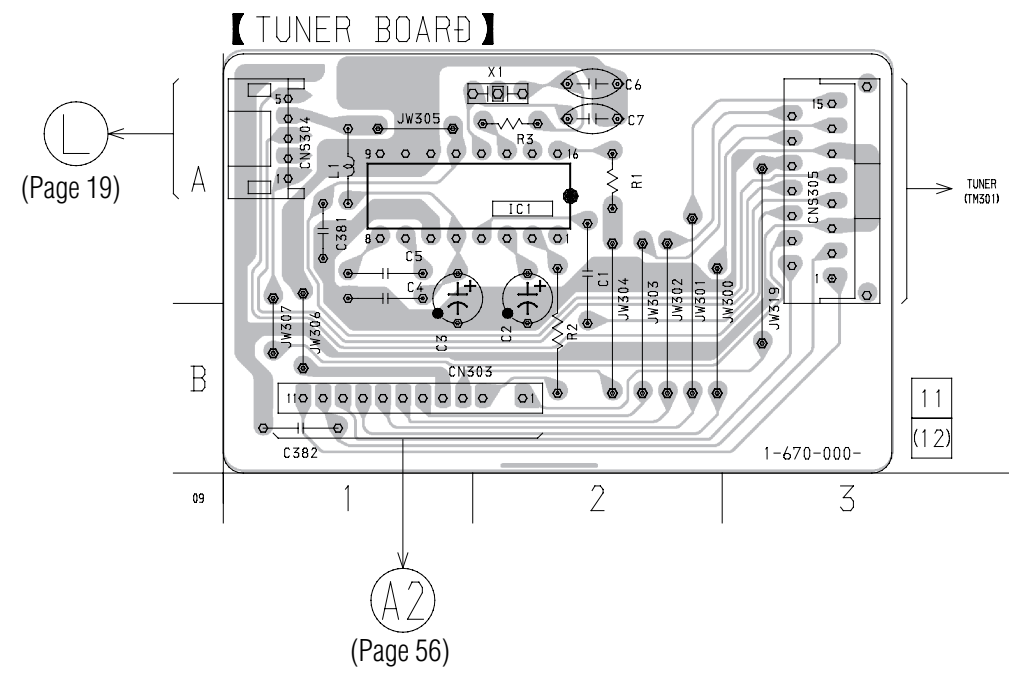
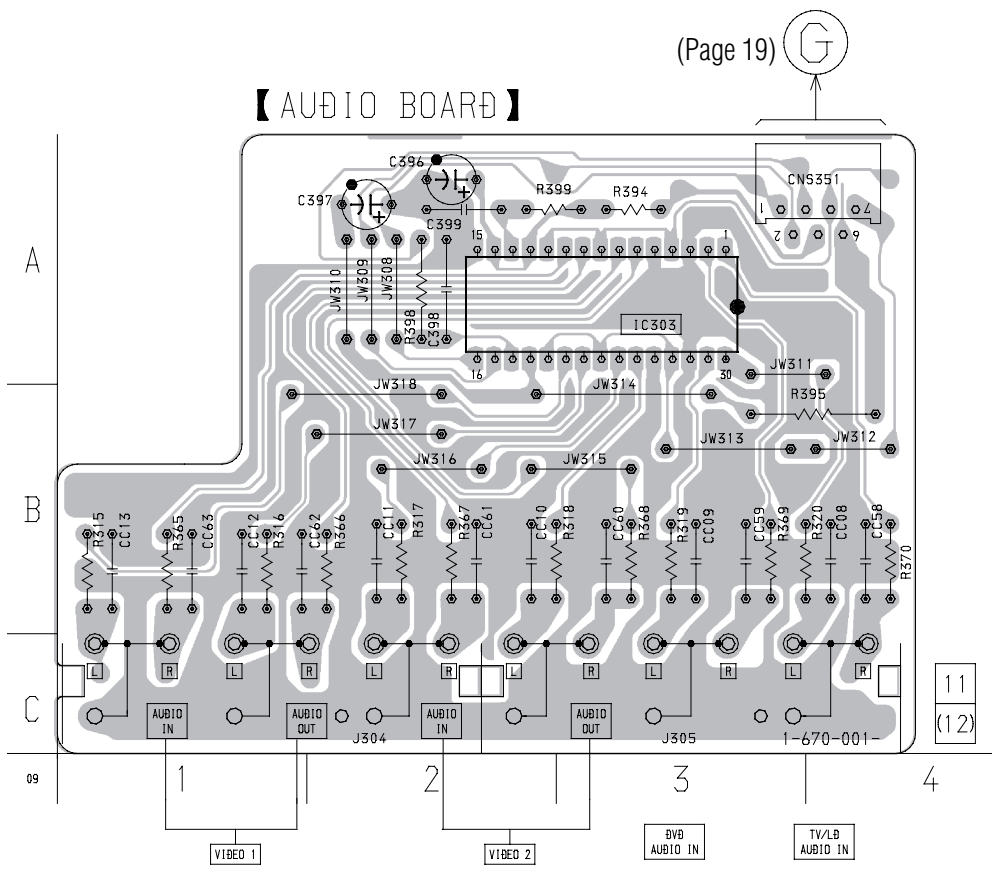
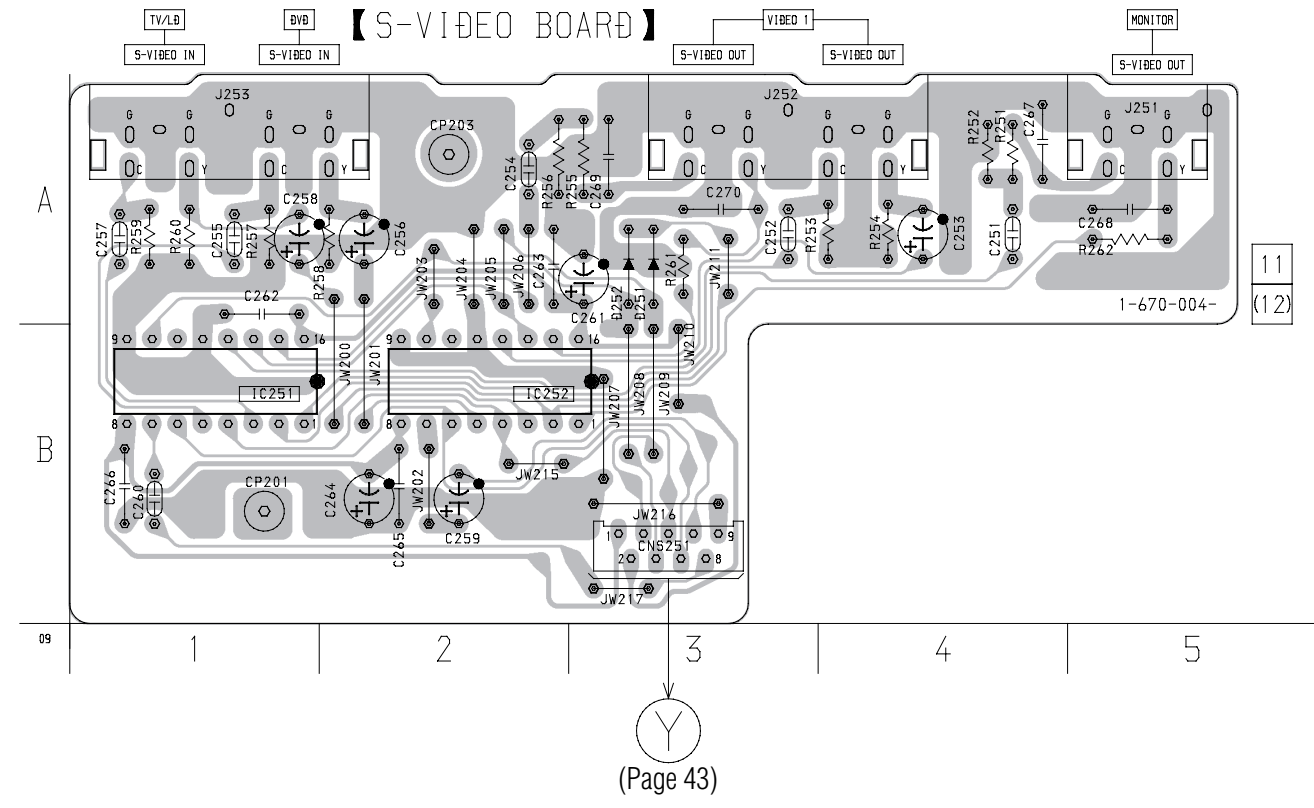
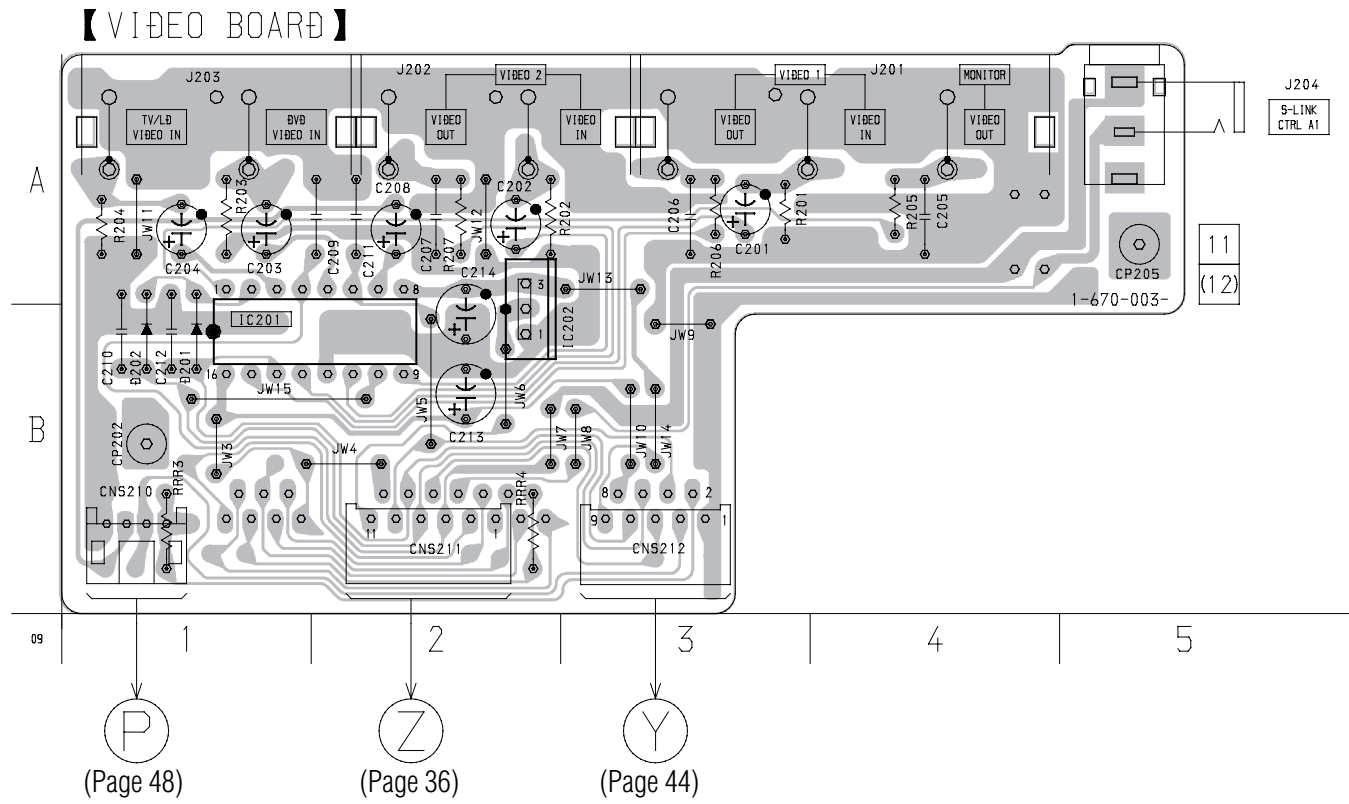


L  
(Page 17)

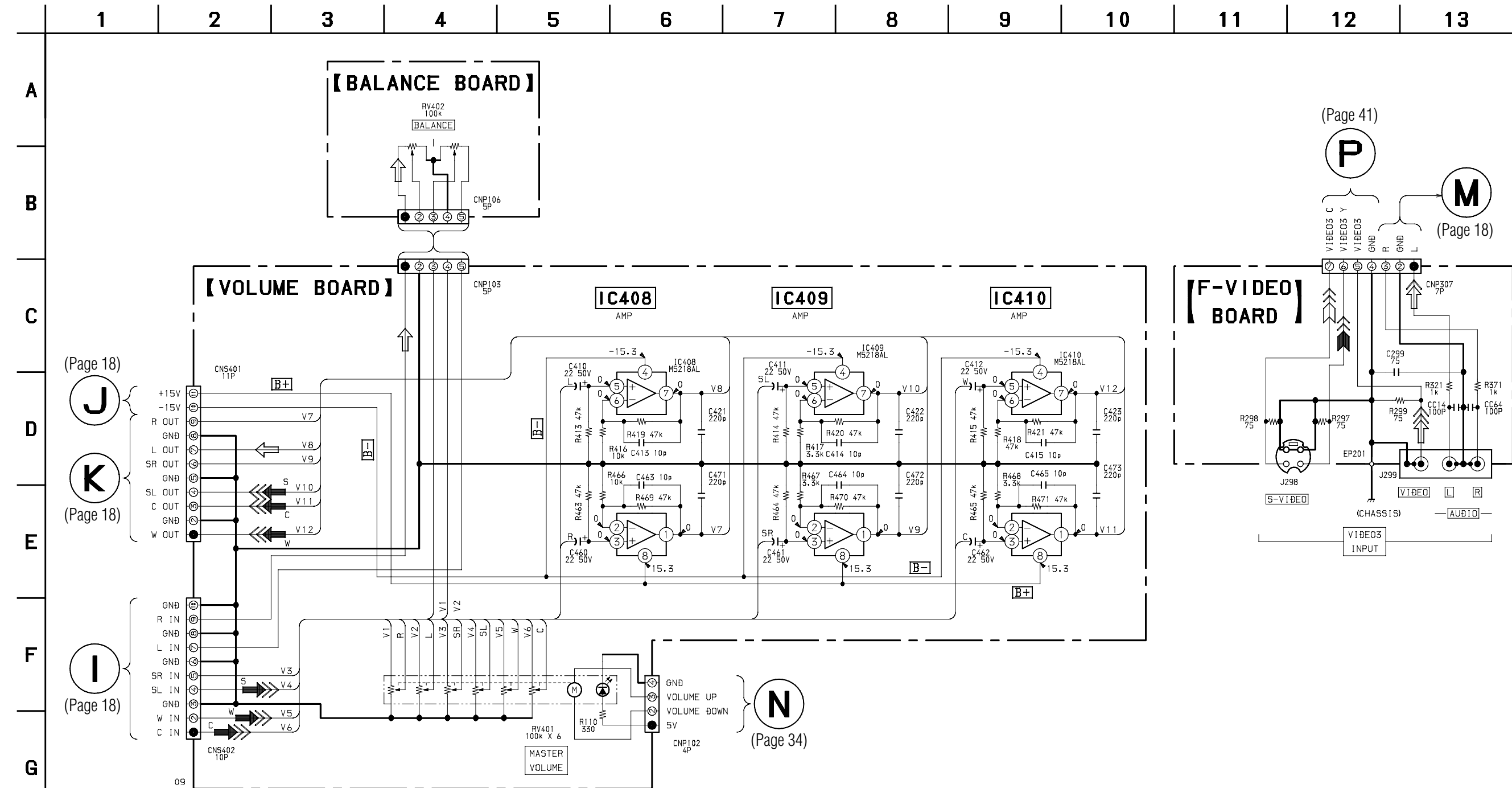
A2  
(Page 51)



3-16. PRINTED WIRING BOARD – BACK PANEL SECTION –  
 • See page 6 for Circuit Boards Location.

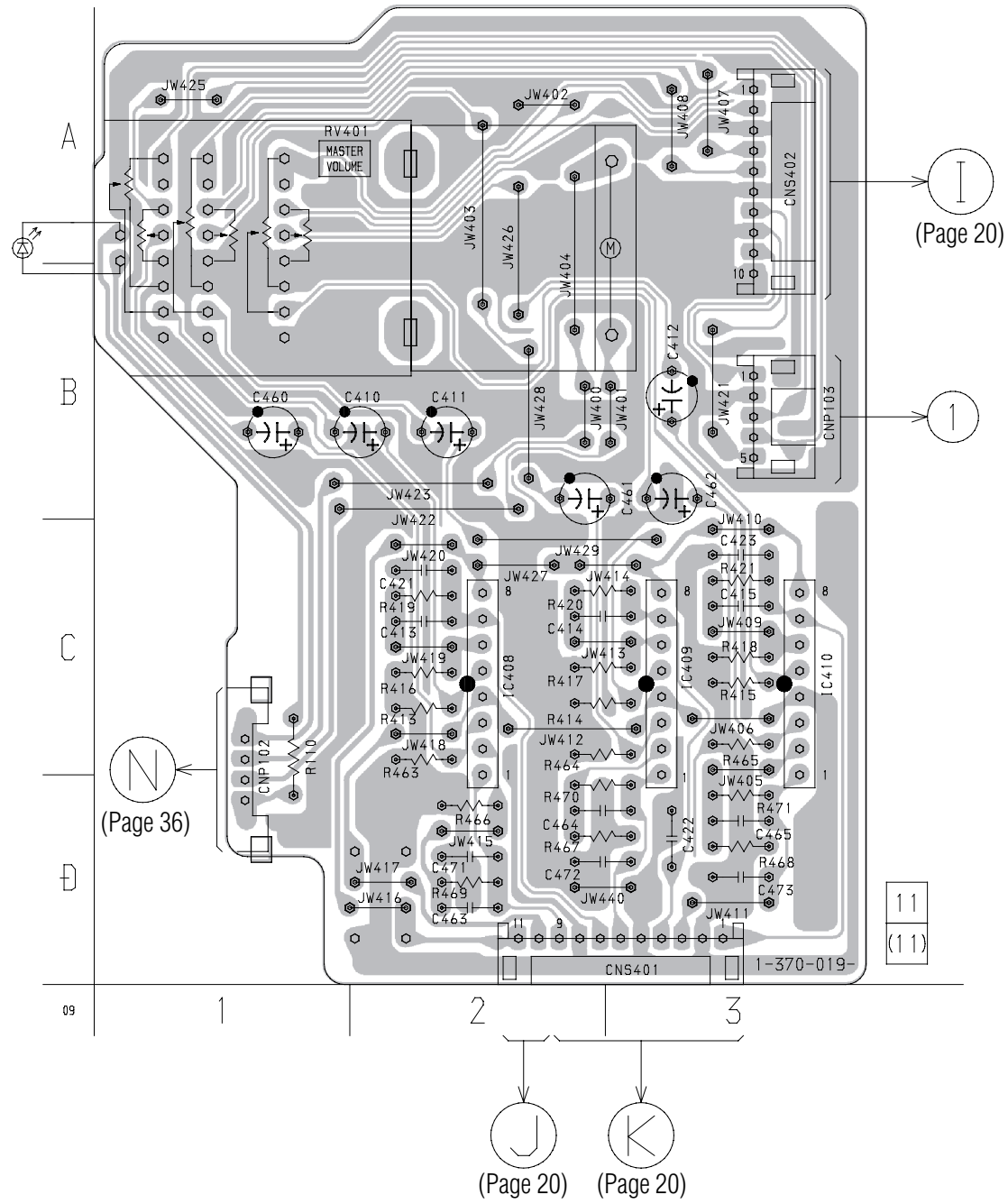


3-17. SCHEMATIC DIAGRAM - VOLUME SECTION -

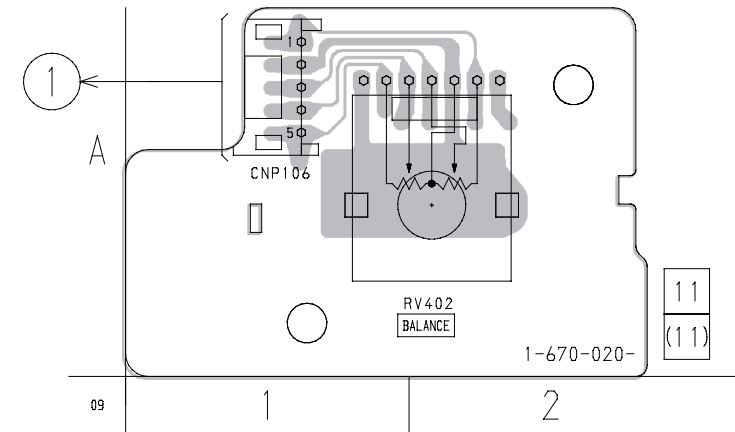


3-18. PRINTED WIRING BOARD – VOLUME SECTION –  
 • See page 6 for Circuit Boards Location.

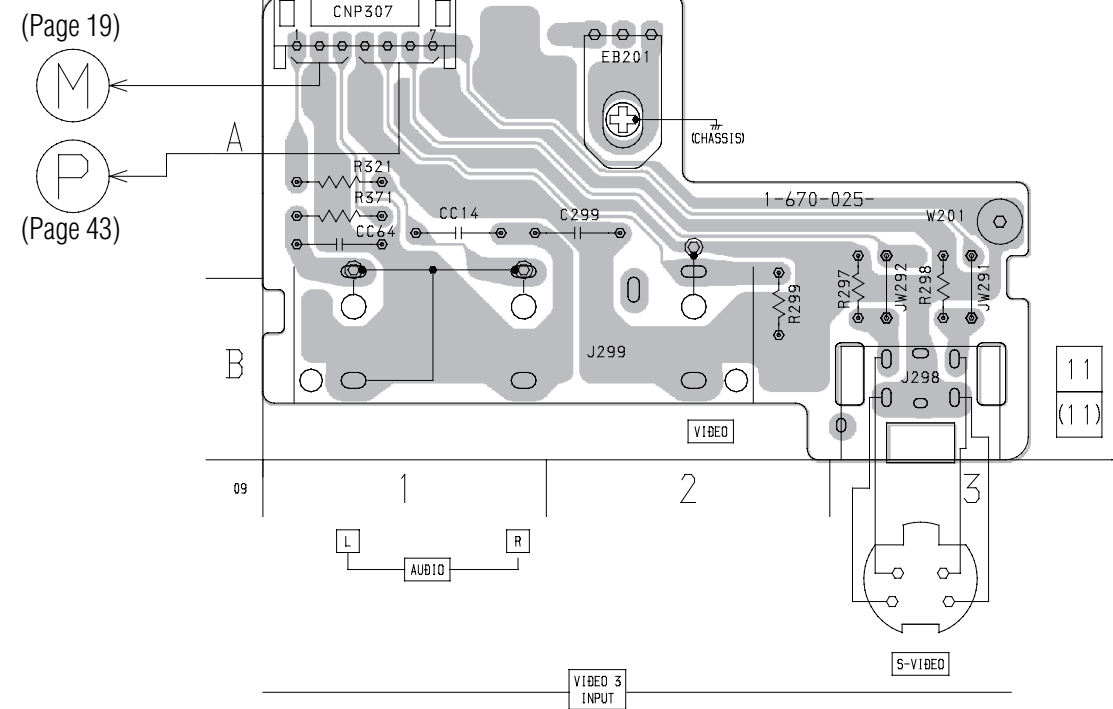
【 VOLUME BOARD 】



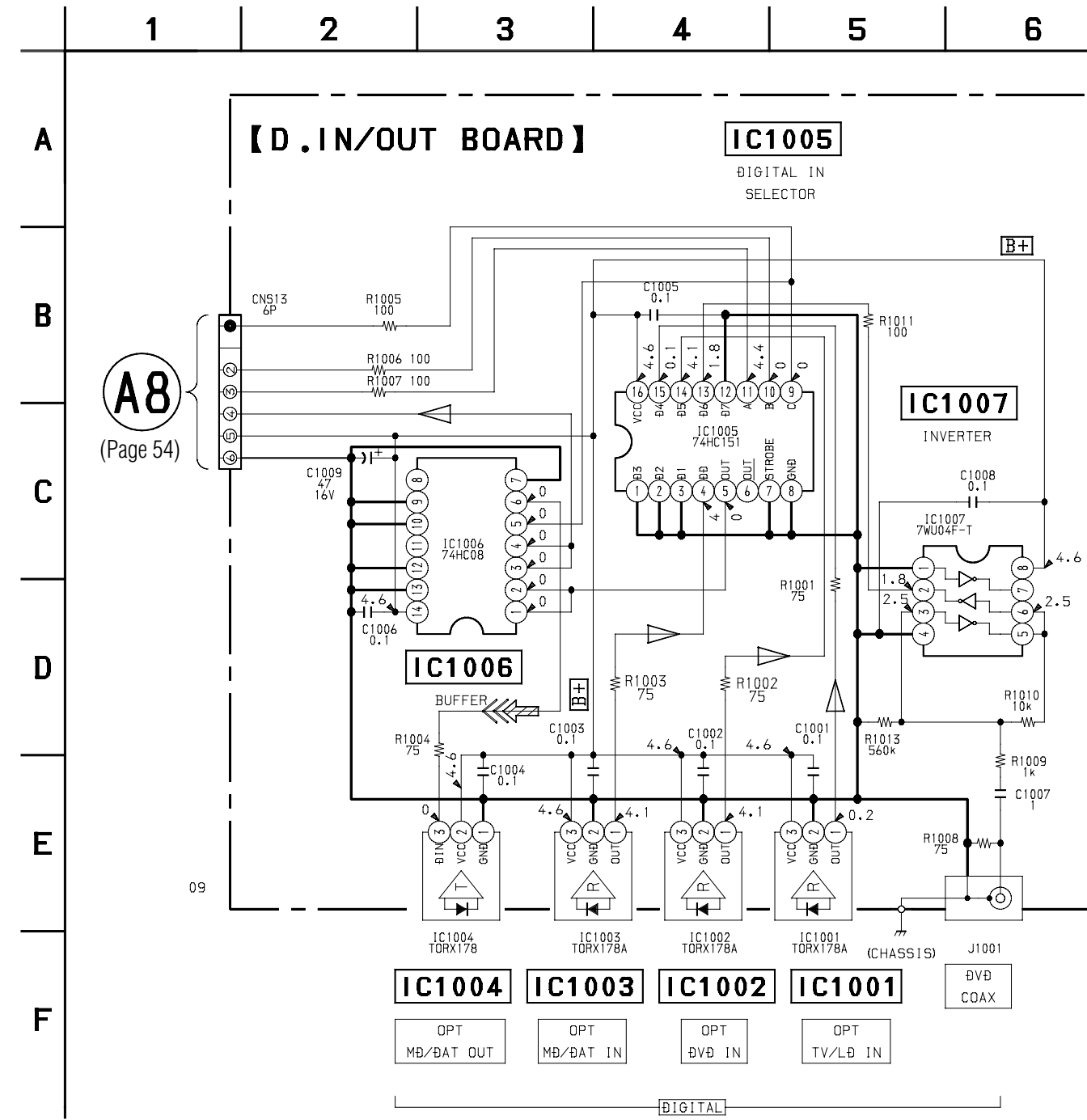
【 BALANCE BOARD 】



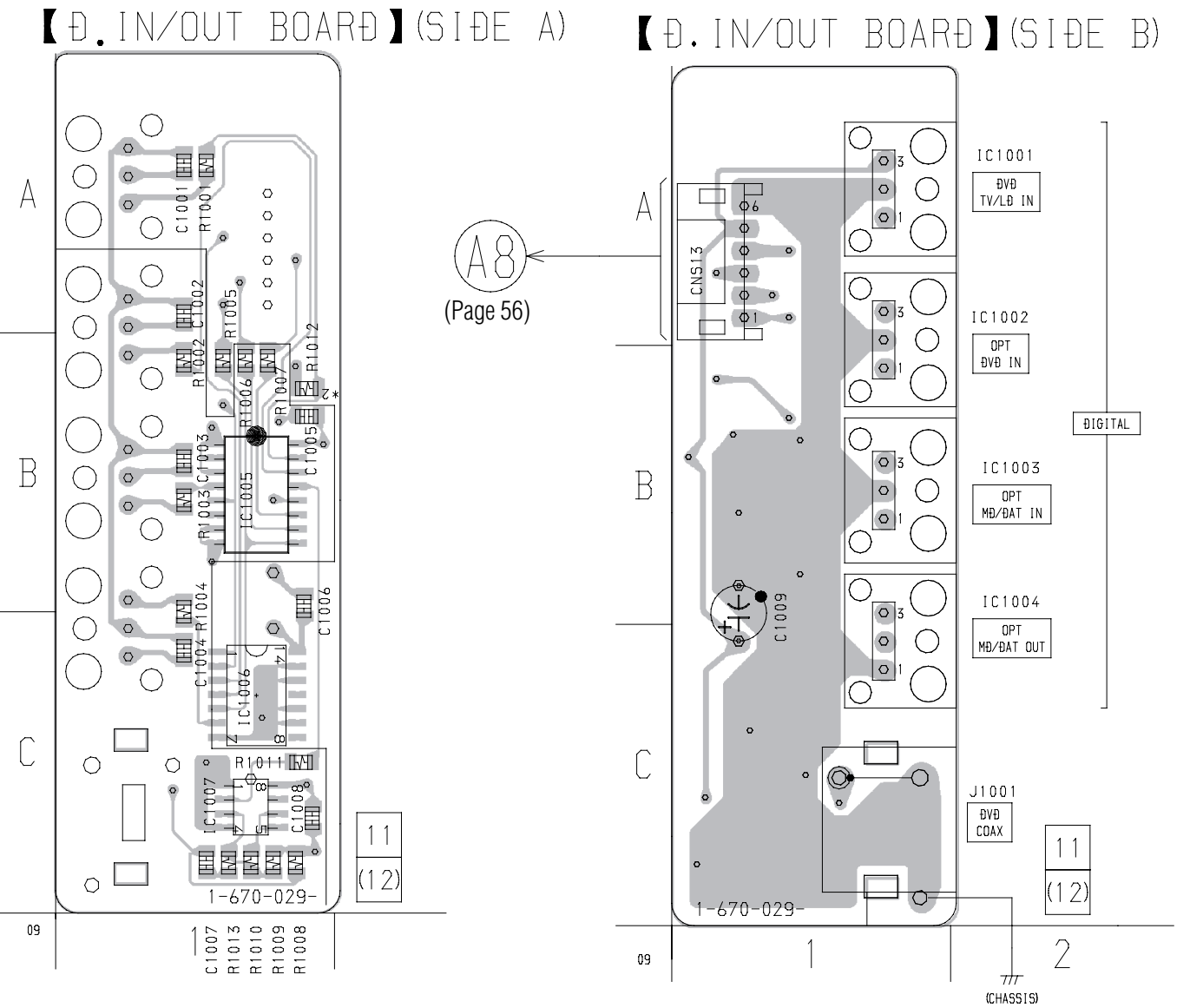
【 F-VIDEO BOARD 】



3-19. SCHEMATIC DIAGRAM – D IN/OUT SECTION –  
• See page 58 for IC Block Diagrams.

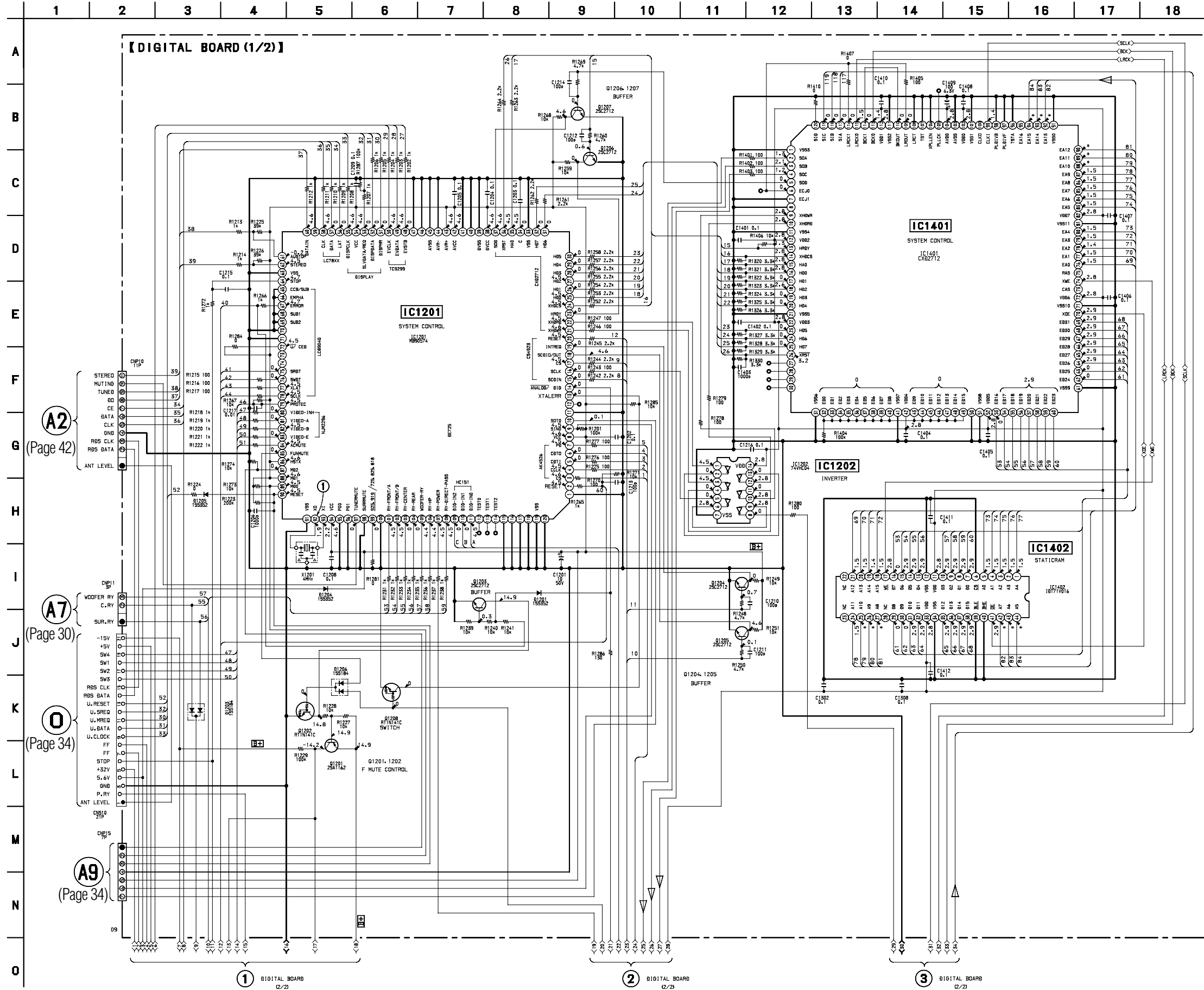


3-20. PRINTED WIRING BOARD – D IN/OUT SECTION –  
• See page 6 for Circuit Boards Location.



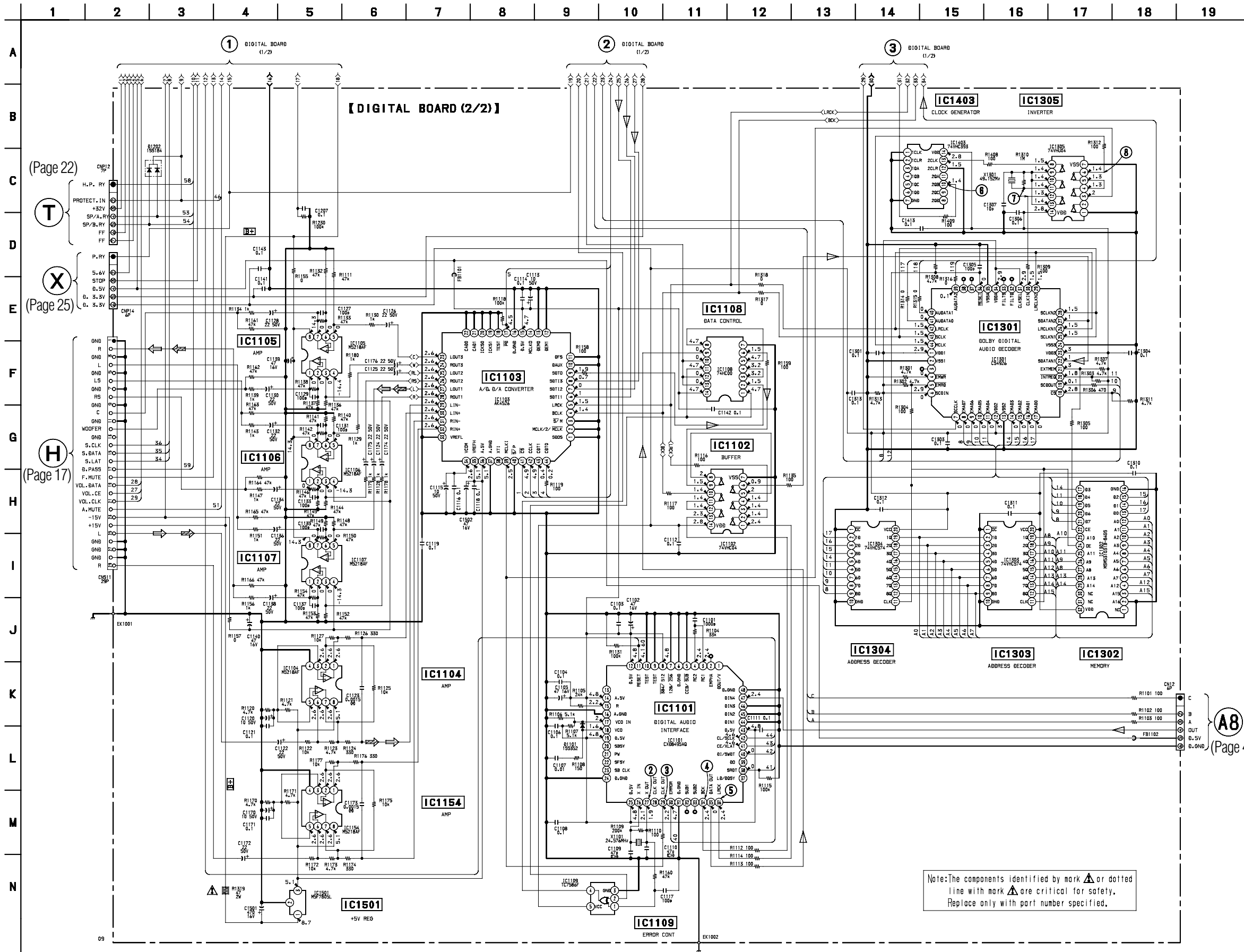
3-21. SCHEMATIC DIAGRAM – DIGITAL (1/2) SECTION –

- See page 16 for Waveforms.
- See page 64, 67 for IC Pin Functions.
- See page 55 for Printed Wiring Board.



3-22. SCHEMATIC DIAGRAM – DIGITAL (2/2) SECTION –

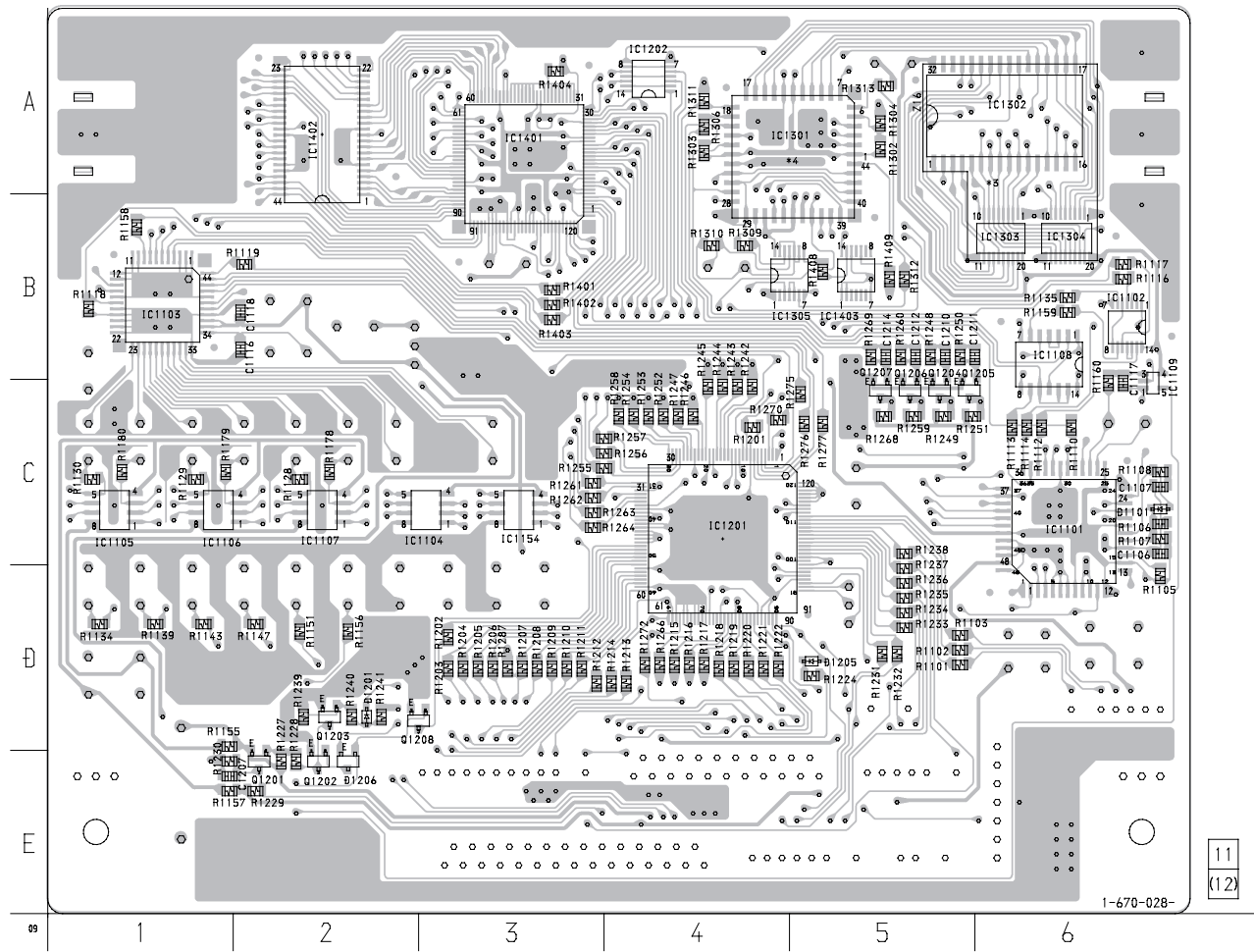
- See page 16 for Waveforms.
- See page 59 for IC Block Diagrams



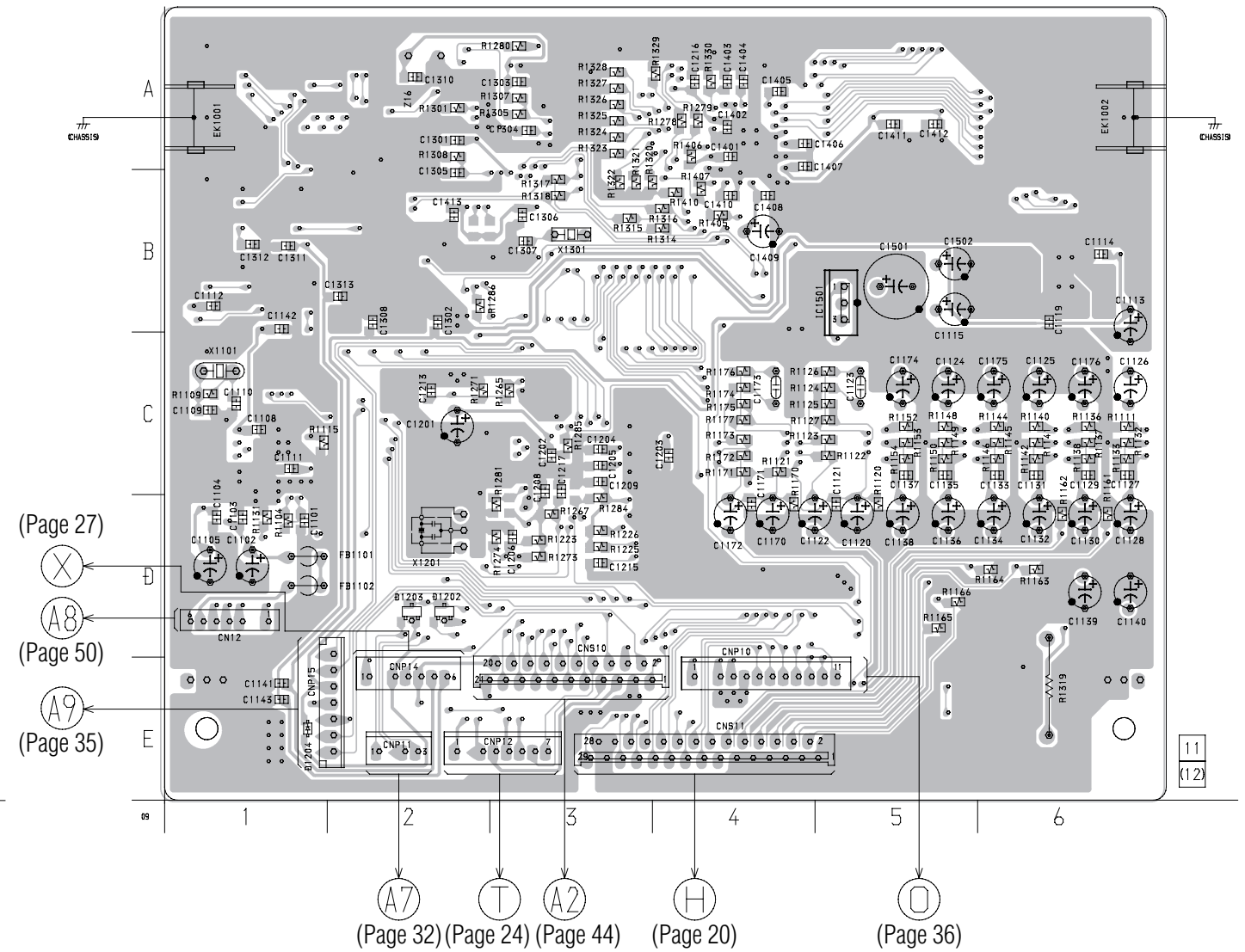
Note: The components identified by mark  $\Delta$  or dotted line with mark  $\Delta$  are critical for safety. Replace only with part number specified.

3-23. PRINTED WIRING BOARD – DIGITAL SECTION –  
 • See page 6 for Circuit Boards Location.

【DIGITAL BOARD】 (SIDE A)



【DIGITAL BOARD】 (SIDE B)



• Semiconductor Location

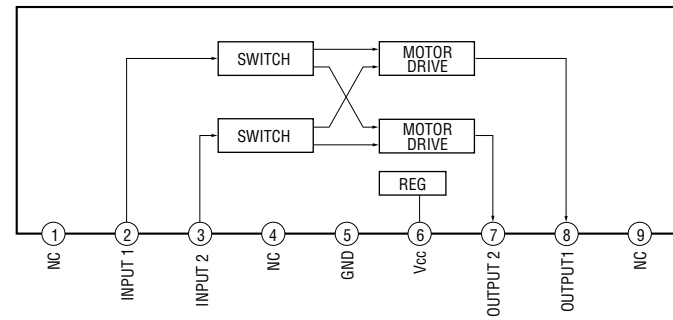
Ref. No.	Location	Ref. No.	Location
D1101	C-6	IC1302	A-6
D1201	D-2	IC1303	B-6
D1205	D-5	IC1304	B-6
D1206	E-2	IC1305	B-5
		IC1401	A-3
IC1101	C-6	IC1402	A-2
IC1102	B-6	IC1403	B-5
IC1103	B-1	IC1501	
IC1104	C-3		
IC1105	C-1	Q1201	E-2
IC1106	C-1	Q1202	E-2
IC1107	C-2	Q1203	D-2
IC1108	B-6	Q1204	C-5
IC1109	C-6	Q1205	C-5
IC1154	C-3	Q1206	C-5
IC1201	C-4	Q1207	C-5
IC1202	A-4	Q1208	D-2
IC1301	A-5		

• Semiconductor Location

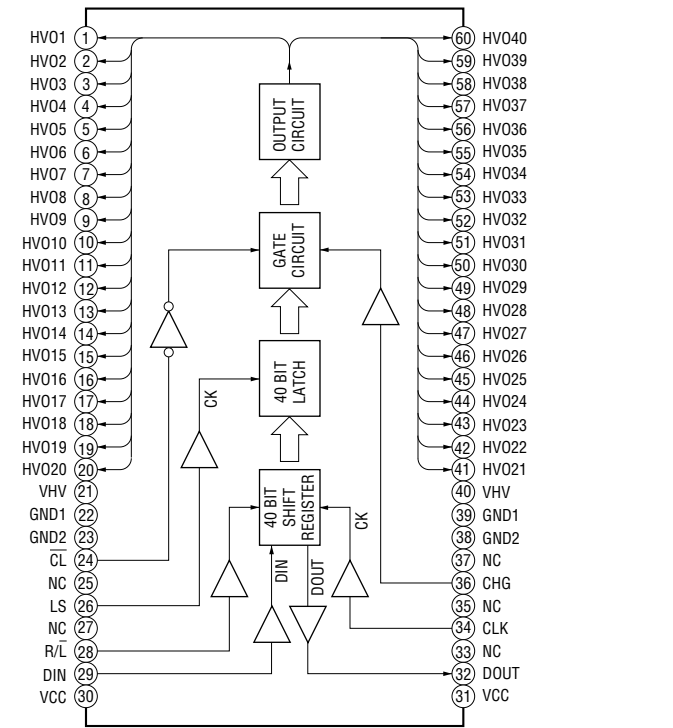
Ref. No.	Location
D1202	D-2
D1203	D-2
D1204	E-1

3-24. IC BLOCK DIAGRAMS

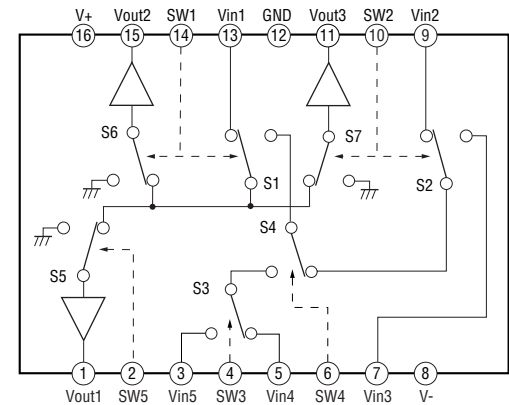
IC103 BA6208



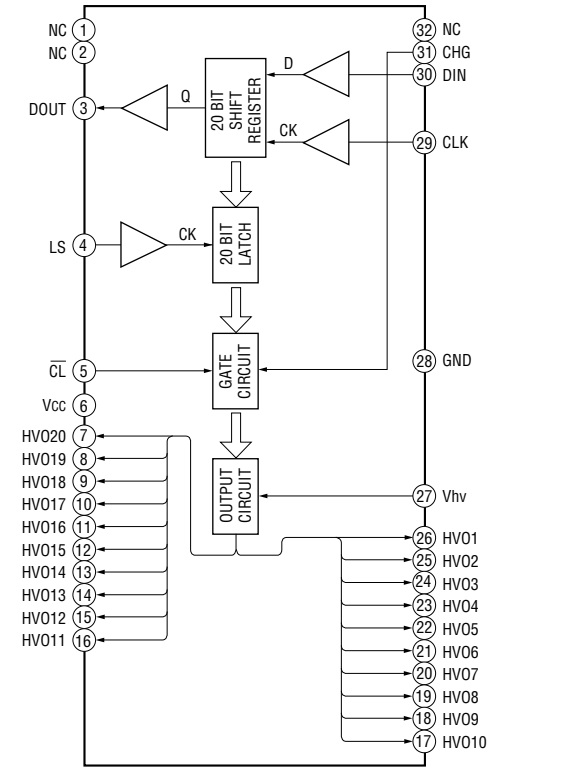
IC104 MSC1162AGS-BK



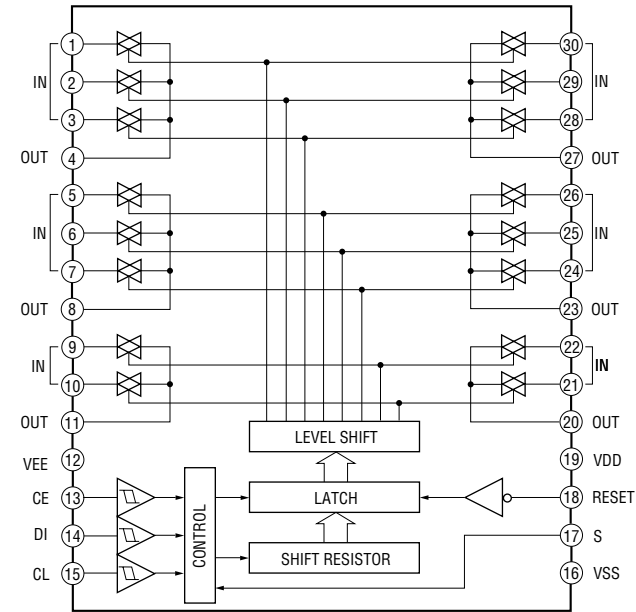
IC201 NJM2296D



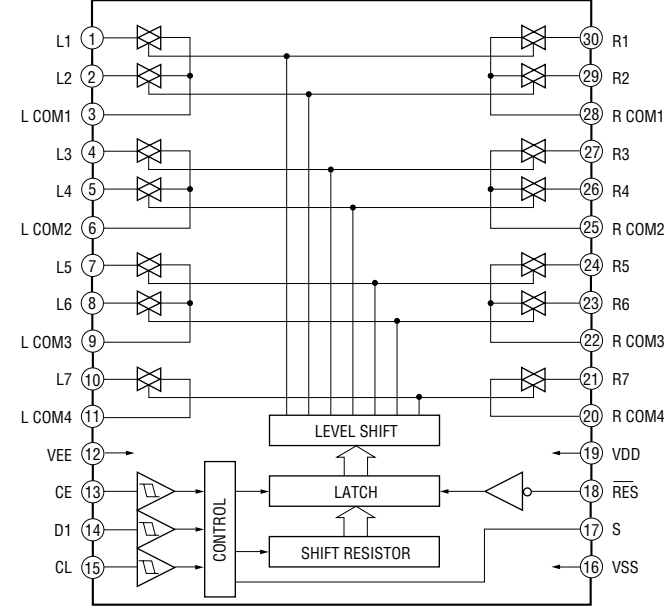
IC105 MSC1164GS-KR1



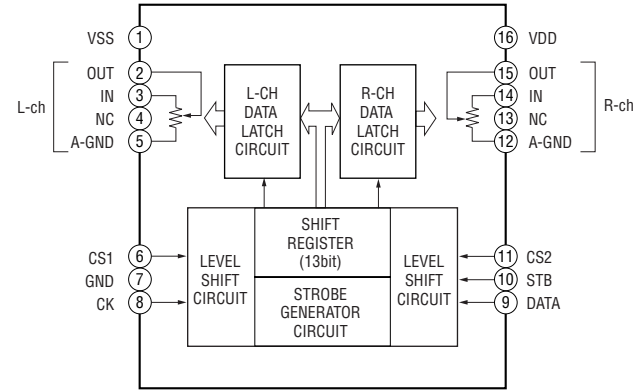
IC301 LC7822



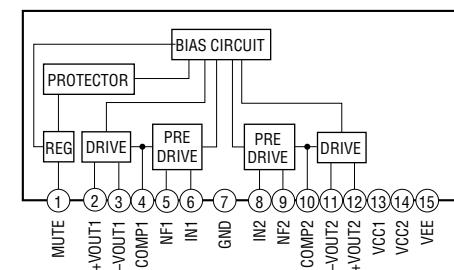
IC303 LC7823



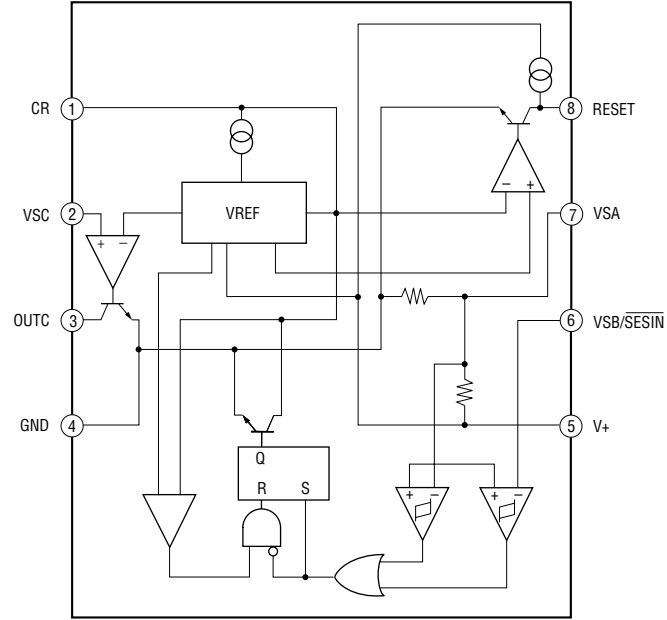
IC414 TC9299P



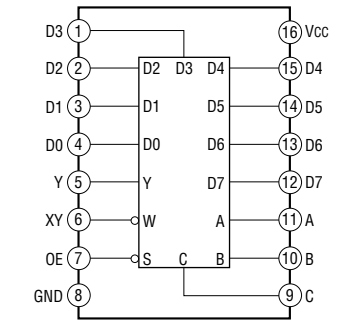
IC501 uPC2581V



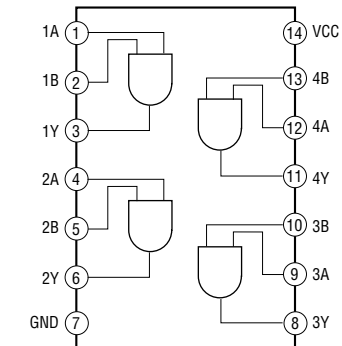
IC901 NJM2103D



IC1005 TC74HC151AF (EL)

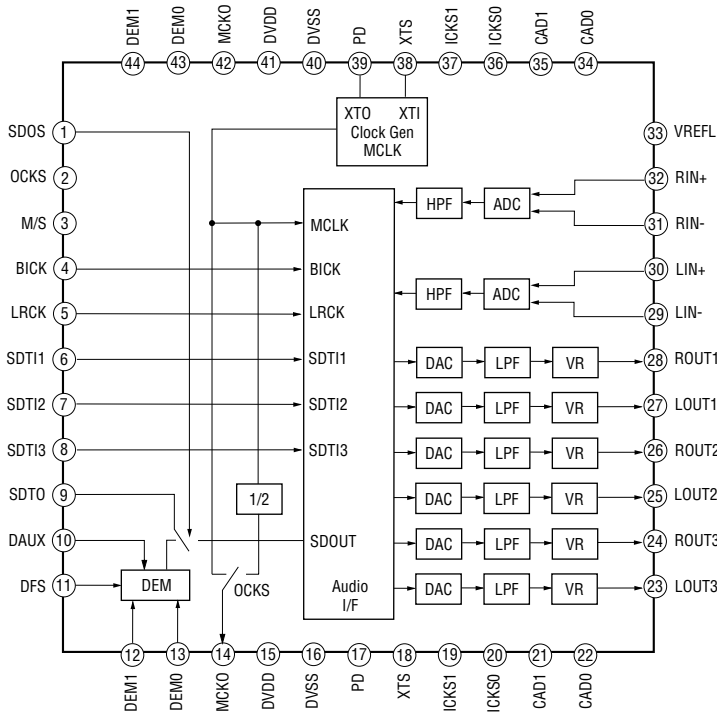


IC1006 TC74HC08AF (EL)

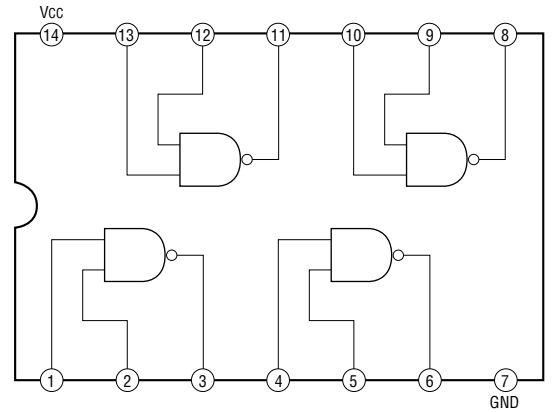




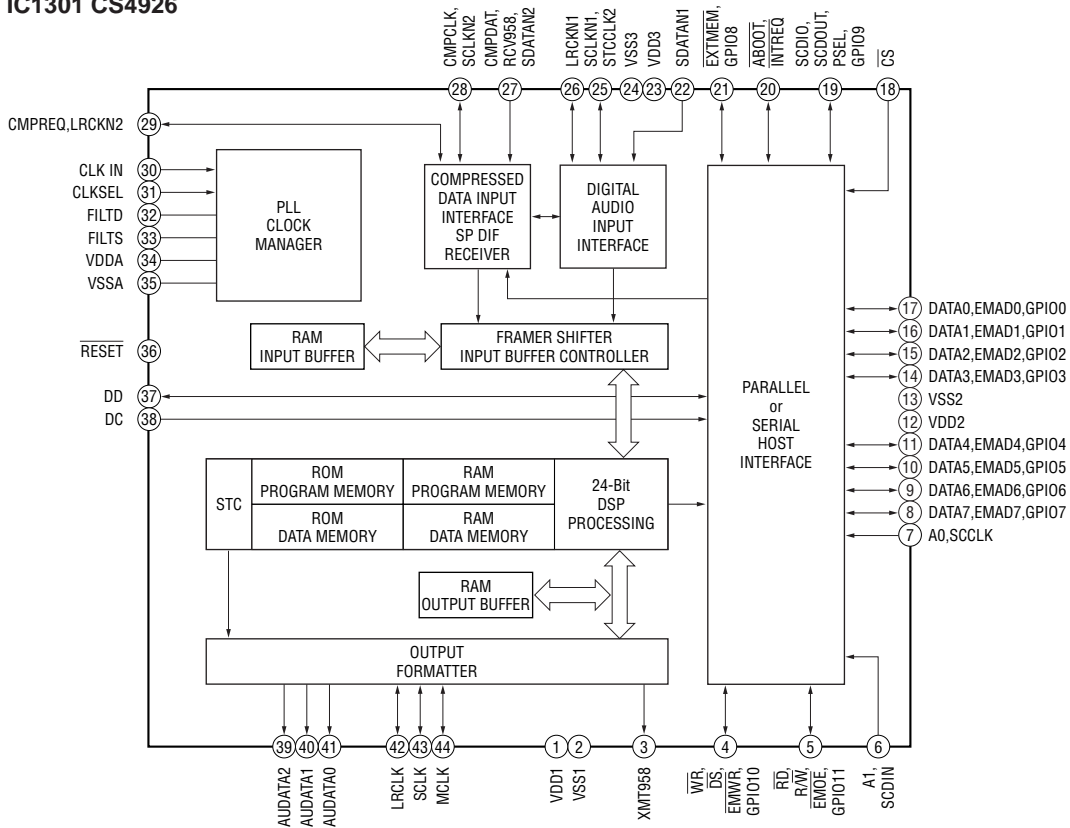
**IC1103 AK4526**



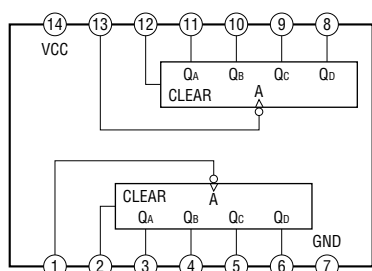
**IC1108 MC74HC00AF**



**IC1301 CS4926**



**IC1403 TC74VHC393FT (EL)**



### 3-25. IC PIN FUNCTIONS

#### • IC102 MB90553PF-G-121-BND (DISPLAY BOARD)

Pin No.	Pin Name	I/O	Function
1	LED V1	O	VIDEO 1 VISUAL display data output to LED
2	LED V2	O	VIDEO 2 AUDIO display data output to LED
3	LED V3	O	VIDEO 3 VISUAL display data output to LED
4	LED-DVD/LD	O	DVD/LD AUDIO display data output to LED
5	LED-TV/DBS	O	DVD/LD VISUAL display data output to LED
6	LED-TAPE	O	TV/DBS AUDIO display data output to LED
7	LED-MD/DAT	O	TV/DBS VISUAL display data output to LED
8	LED-CD	O	TAPE display data output to LED
9	LED-TUNER	O	MD/DAT display data output to LED
10	LED-PHONO	O	CD display data output to LED
11	VSS	–	Ground (Connected to Ground)
12	—	–	Not used. (Connected to Ground)
13	—	–	Not used. (Connected to Ground)
14	LED SUR	O	CURSOR MODE SURROUND display data output to LED
15	LED EQ	O	CURSOR MODE EQUIPMENT display data output to LED
16	LED INDEX	O	CURSOR MODE INDEX display data output to LED
17	—	–	Not used. (Connected to Ground)
18	—	–	Not used. (Connected to Ground)
19	SOT0	O	UART data output to rewrite flash memory
20	SIN0	I	UART data input to rewrite flash memory
21	FL CLK	O	Clock output to fluorescent display tube
22	FL DATA	O	Data output to fluorescent display tube
23	VCC	–	Power supply +5 V
24	FL LAT	O	Fluorescent latch
25	FL CLEAR	O	Fluorescent clear
26	SIRCS IN	I	SIRCS input
27	C	–	External power regulator capacitor 0.1 $\mu$ is connected to this terminal.
28	—	–	Not used (Connected to Ground)
29	—	–	Not used (Connected to Ground)
30	—	–	Not used (Connected to Ground)
31	—	–	Not used (Connected to Ground)
32	—	–	Not used (Connected to Ground)
33	—	–	Not used (Connected to Ground)
34	AVCC	–	Analog power supply +5 V
35	AVRH	–	AVRH (Connected to power supply +5 V)
36	AVRL	–	SVRL (Connected to Ground)
37	AVSS	–	GND (Connected to Ground)
38	AD KEY IN 1	I	Key input 1
39	AD KEY IN 2	I	Key input 2
40	AD KEY IN 3	I	Key input 3

Pin No.	Pin Name	I/O	Function
41	AD KEY IN 4	I	Key input 4
42	VSS	–	Ground (Connected to Ground)
43	AD KEY IN 5	I	Key input 5
44	AD KEY IN 6	I	Key input 6
45	AD VERSION	I	Version input
46	AD MODEL	I	Model input
47	STOP	I	Stop input
48	—	–	Not used (Connected to Ground)
49	MD 0	I	MD 0 (To MD0 of MB90574)
50	MD 1	I	MD 1 (Connected to power supply +5 V)
51	MD 2	I	MD 2 (To MD2 of MB90574)
52	HSTX	I	Hardware STANDBY input
53	RDS CLOCK	I	RDS clock input
54	RDS DATA	I	RDS data input
55	VOL UP	O	Volume up data output
56	VOL DOWN	O	Volume down data output
57	—	–	Not used (Connected to Ground)
58	U-RESET	O	Reset output (Connected to MB90574 RESET)
59	U-SREQ	I	Slave request and data input (Connected to MB90574 SLV DATA/REQ)
60	U-MREQ	O	Master request output (Connected to MB90574 DISPMR)
61	U-DATA	O	Master data output (Connected to MB90574 DISP DATA)
62	U-CLOCK	O	Master clock output (Connected to MB90574 DISPCLK)
63	AUBUS-IN	I	Audio bus input
64	—	–	Not used (Connected to Ground)
65	—	–	Not used (Connected to Ground)
66	—	–	Not used (Connected to Ground)
67	AUBUS-OUT	O	Audio bus output
68	—	–	Not used (Connected to Ground)
69	FUNCTION-UP	I	Function encoder up input
70	FUNCTION-DW	I	Function encoder down input
71	—	–	Not used (Connected to Ground)
72	SP-A	I	Speaker A selector switch input
73	SP-B	I	Speaker B selector switch input
74	POW-KEY IN	I	Power key input
75	—	–	Not used (Connected to Ground)
76	—	–	Not used (Connected to Ground)
77	RESET	I	Reset (Display MCU)
78	—	–	Not used (Connected to Ground)
79	—	–	Not used (Connected to Ground)
80	—	–	Not used (Connected to Ground)

Pin No.	Pin Name	I/O	Function
81	VSS	–	Ground (Connected to Ground)
82	X0	–	External ceramic filter 4 MHz is connected to this terminal
83	X1	–	External ceramic filter 4 MHz is connected to this terminal
84	VCC	–	Power supply +5 V
85	—	–	Not used. (Connected to Ground)
86	—	–	Not used. (Connected to Ground)
87	LED BASS. B	O	BASS. B display data output to LED
88	LED VOL	O	VOLUME display data output to LED
89	LED SOUND FIELD	O	SOUND FIELD display data output to LED
90	LED MUTE	O	MUTE display data output to LED
91	LED EQ ON/OFF	O	EQ ON/OFF display data output to LED
92	LED DOLBY DIGITAL	O	DOLBY/DIGITAL display data output to LED
93	MBUS-V1	I	V1 input from MBUS
94	MBUS-V 2	I	V2 input from MBUS
95	MBUS-TV	I	TV input from MBUS
96	MBUS-STATUS	I	STATUS input from MBUS
97	—	–	Not used. (Connected to Ground)
98	LAT	O	Learning microprocessor latch output
99	—	–	Not used. (Connected to Ground)
100	—	–	Not used. (Connected to Ground)

**IC1101 CXD8495AQ (DIGITAL BOARD)**

Pin No.	Pin Name	I/O	Function
1	DOUT/V	O	EIAJ data and parity flag output terminal (Not used)
2	EMPHA	O	Emphasis monitor output terminal (“H” = ON)
3	RC1	I	Input terminal for RC generator/oscillator
4	RC2	O	Output terminal for RC generator/oscillator
5	CCB/ $\overline{\text{SUB}}$	I	Microprocessor I/F select input terminal (CCB: H, $\overline{\text{SUB}}$ : L) (Connecting to Ground)
6	D. GND	–	Digital Ground
7	128/ $\overline{256}$	O	Clock output select terminal ( “L” = 256fs, “H” = 128fs) (Connecting to Ground)
8	384/512	I	Clock input select terminal ( “H” = 512fs, “L” = 384fs)
9	TEST	I	Test terminal (normally ground)
10	TEST	I	Test terminal (normally ground)
11	RESET	I	Reset input terminal
12	D. 5V	–	Digital power supply
13	NC	–	No connect
14	A. 5V	–	Analog power supply
15	R	I	Input terminal for VCO generator band adjustment
16	A. GND	–	Analog Ground
17	VCO IN	I	Input terminal for VCO self running frequency set
18	VCO	O	External LPF for PLL is connected to this terminal
19	D. 5V	–	Digital power supply
20	SBSY	O	CD subcode I/F and block sync output terminal (Not used)
21	PW	O	CD subcode I/F and data output terminal (Not used)
22	SFSY	O	CD subcode I/F and frame sync output terminal (Not used)
23	SB CLK	I	CD subcode I/F and shift clock input terminal for data reading (Not used)
24	D. GND	–	Digital Ground
25	D. 5V	–	Digital power supply
26	XIN	I	Crystal oscillator input terminal
27	XOUT	O	Crystal oscillator output terminal
28	CLK OUT	O	VCO and crystal oscillator clock output terminal (Not used)
29	CLK OUT	O	256fs or 128fs clock output terminal (Select CLKMD terminal)
30	ERROR	O	Error mute output terminal
31	D. GND	–	Digital Ground
32	SUB1	O	Sampling frequency monitor output terminal
33	SUB2	O	Sampling frequency monitor output terminal
34	BCK	O	Bit clock output terminal
35	DATA OUT	O	Audio data output terminal
36	LRCK	O	L, R clock output terminal (L-ch: “H”, R-ch: “L”)
37	LD/DQSY	O	Microprocessor I/F and subcode Q data sync output terminal (Not used)
38	SRDT	O	Microprocessor I/F. When CCB/ $\overline{\text{SUB}}$ is “L”, data output terminal (3-state output)
39	DO	O	Microprocessor I/F. When CCB/ $\overline{\text{SUB}}$ is “H”, data output terminal (high level open drain output) (Not used)
40	DI/SWDT	I	Microprocessor I/F. Data input terminal
41	CE/XLAT	I	Microprocessor I/F. Chip enable/latch input terminal
42	CL/SCLK	I	Microprocessor I/F. Clock input terminal
43	D. 5V	–	Digital power supply
44	DIN1	I	Amplifier integrate data input terminal (Connecting to Ground)
45	DIN2	I	Amplifier integrate data input terminal (Connecting to Ground)
46	DIN3	I	Amplifier integrate data input terminal (Connecting to Ground)
47	DIN4	I	Amplifier integrate data input terminal
48	D. GND	–	Digital Ground

**IC1201 MB90574PFV-G-146-BND (DIGITAL BOARD)**

Pin No.	Pin Name	I/O	Function
1	—	–	Not used (Connected to Ground)
2	RESET	O	RF demodulator/DIR reset
3	CS	O	To AK4526 chip select
4	CCLK	O	To AK4526 clock
5	CDTI	I	From AK4526 data input
6	CDTO	O	To AK4526 data output
7	PD	O	To AK4526 reset
8	VCC	–	Power supply +5 V
9	SIN0	I	UART input. Used for rewriting flash memory
10	SOT0	O	UART output. Used for rewriting flash memory
11	—	–	Not used (Connected to Ground)
12	—	–	Not used (Not connected, open)
13	—	–	Not used (Not connected, open)
14	$\overline{\text{ANALOG/DIG}}$	O	Analog/digital selection (74HC157)
15	SCDIN	O	To CS4926 data output
16	SCLK	O	To CS4926 clock
17	CS	O	To CS4926 chip select
18	SCDIO/OUT	O	To CS4926 SPI data output
19	INTREQ	I	From CS4926 interrupt request
20	RESET	O	To CS4926 reset
21	XHDWR	O	To CXD2712 data write
22	XHDRD	O	To CXD2712 data read
23	HRDY	I	From CXD2712 ready
24	XHDCS	O	To CXD2712 chip select
25	HD 0	O	To CXD2712 data output
26	HD 1	O	To CXD2712 data output
27	HD 2	O	To CXD2712 data output
28	HD 3	O	To CXD2712 data output
29	HD 4	O	To CXD2712 data output
30	HD 5	O	To CXD2712 data output
31	HD 6	O	To CXD2712 data output
32	HD 7	O	To CXD2712 HD7
33	VSS	–	Ground (Connected to Ground)
34	C	–	External power regulator capacitor 0.1 $\mu$ is connected to this terminal.
35	HA0	O	To CXD2712 address
36	XRST	O	To CXD2712 reset
37	SOD	I	From CXD2712 LFE detection
38	DVCC	–	Digital power supply +5 V
39	DVSS	–	Digital Ground (Connected to Ground)
40	—	–	Not used (Connected to Ground)

Pin No.	Pin Name	I/O	Function
41	—	–	Not used (Connected to Ground)
42	AVCC	–	Analog power supply +5 V
43	AVR+	–	Power supply +5 V
44	AVR–	–	Ground (Connected to Ground)
45	AVSS	–	Ground (Connected to Ground)
46	—	–	Not used (Connected to Ground)
47	—	–	Not used (Connected to Ground)
48	EVSTB	O	To TC9299 strobe
49	EVDATA	O	To TC9299 data
50	EVCLK	O	To TC9299 clock
51	DISPMR	I	Display master request (Connected to MB90553 U.MREQ)
52	DISPDATA	I	Display data (Connected to MB90553 U.DATA)
53	SLV DTA/REQ	O	Slave data/request (Connected to MB90553 U.SREQ)
54	VCC	–	Power supply +5 V
55	DISP CLK	I	Display clock (Connected to MB90553 U.CLOCK)
56	LAT	O	To tuner TM301 latch
57	DATA	O	To tuner TM301 data
58	CLK	O	To tuner TM301 clock
59	—	–	Not used (Connected to Ground)
60	DATA IN	I	PLL data input
61	AUSTOP	I	Auto stop input
62	STEREO	I	Stereo input
63	VSS	–	Ground (Connected to Ground)
64	STOP	I	AC power check
65	CCB/SUB	I	Not used (Connected to Ground)
66	EMPHA	I	Not used (Connected to Ground)
67	ERROR	O	Error output to CXD8495AQ
68	SUB 1	I	Not used (Connected to Ground)
69	SUB 2	I	Not used (Connected to Ground)
70	—	–	Not used (Connected to Ground)
71	—	–	Not used (Connected to Ground)
72	$\bar{U}/CED$	I	U or CED (STR only)
73	—	–	Not used (Not connected, open)
74	—	–	Not used (Not connected, open)
75	SRDT	I	To CXD8495AQ C-bit
76	SWDT	O	To CXD8495AQ data
77	XLAT	O	To CXD8495AQ latch
78	SCLK	O	To CXD8495AQ clock
79	PROTEC	I	Protector input
80	VIDEO-INH	O	Video output inhibit

Pin No.	Pin Name	I/O	Function
81	VIDEO-A	O	To NJM2296 video select A
82	VIDEO-B	O	To NJM2296 video select B
83	VIDEO-E	O	To NJM2296 video select E
84	ACMUTE	O	IC muting
85	FUNMUTE	O	Function muting
86	HSTX	–	Hardware standby (Connected to power supply +5 V)
87	MD 2	–	MD2 (To MB90553 MD2)
88	MD 1	–	MD1 (Connect to power supply)
89	MD 0	–	MD0 (To MB90553 MD0)
90	RESET	I	Reset (Connected to MB90553 U.RESET)
91	VSS	–	Ground (Connected to Ground)
92	X 0	–	External ceramic filter 4 MHz is connected to this terminal
93	X 1	–	External ceramic filter 4 MHz is connected to this terminal
94	VCC	–	Power supply +5 V
95	P 00	I	Flash memory rewrite (Connected to Ground)
96	P 01	I	Flash memory rewrite (Connected to Ground)
97	TUNER MUTE	O	Tuner muting
98	SURR MUTE	O	Surround muting (Connected to Ground)
99	925,919/725,825,818	I	Input terminal for switching AUDIO DECODER which is using (Connected to Ground)
100	—	–	Not used (Connected to Ground)
101	RY-FRONT/A	O	Front speaker A relay
102	RY-FRONT/B	O	Front speaker B relay
103	RY-CENTER	O	Center speaker relay
104	RY-REAR	O	Rear speaker relay
105	WOOFER-RY	O	Sub Woofer relay
106	RY-HP	O	Head phone relay
107	RY-POWER	O	Power relay
108	RY-DIR-PASS	O	Direct pass relay
109	DIG-IN 2	I	Digital input select 2 (74HC151)
110	DIG-IN 1	I	Digital input select 1 (74HC151)
111	DIG-IN 0	I	Digital input select 0 (74HC151)
112	TEST 0	–	Test port 0 (Not connected, open)
113	TEST 1	–	Test port 1 (Not connected, open)
114	TEST 2	–	Test port 2 (Not connected, open)
115	—	–	Not used (Connected to Ground)
116	—	–	Not used (Connected to Ground)
117	—	–	Not used (Connected to Ground)
118	—	–	Not used (Connected to Ground)
119	VSS	–	Ground (Connected to Ground)
120	—	–	Not used (Connected to Ground)



**IC1401 CXD2712R (DIGITAL BOARD)**

Pin No.	Pin Name	I/O	Function
1	VSS3	–	Ground
2 to 5	SOA to SOD	O	Serial data output
6, 7	ECJ0, ECJ1	I	Conditional jump input terminal (7pin Connected to Ground)
8	—	NC	No connection
9	XHDWR	I	HCIF data write
10	XHDRD	I	HCIF data read
11	VSS4	–	Ground
12	VDD2	–	+3.3V
13	HRDY	O	HCIF ready signal Open drain
14	XHDCS	I	HCIF chip select
15	HA0	I	HCIF address input
16 to 20	HD0 to HD4	I/O	HCIF data input/output
21	VSS5	–	Ground
22	VDD3	–	+3.3V
23 to 25	HD5 to HD7	I/O	HCIF data input/output
26	XRST	I	Reset input “L”: active
27 to 30	FGP0 to FGP3	O	Test data output
31	VSS6	–	Ground
32 to 40	ED0 to ED8	I/O	External RAM data input/output
41	VSS7	–	Ground
42	VDD4	–	+3.3V
43 to 49	ED9 to ED15	I/O	External RAM data input/output
50	TSTD	I	Test data input “L” = normal “H” = test (Connected to Ground)
51	VSS8	–	Ground
52	VDD5	–	+3.3V
53 to 60	ED16 to ED23	I/O	External RAM data input/output
61	VSS9	–	Ground
62 to 69	ED24 to ED31	I/O	External RAM data input/output
70	XOE	O	External RAM output enable
71	VSS10	–	Ground
72	VDD6	–	+3.3V
73	CAS	O	External RAM column address strobe (Not used)
74	XWE	O	External RAM write enable (Not used)
75	RAS	O	External RAM row address strobe
76 to 80	EA0 to EA4	I/O	External RAM address output/test data input
81	VSS11	–	Ground
82	VDD7	–	+3.3V
83 to 89	EA5 to EA11	I/O	External RAM address output/test data input
90	EA12	O	External RAM address output

Pin No.	Pin Name	I/O	Function
91	VSS0	–	Ground
92 to 94	EA13 to EA15	O	External RAM address output
95	EA16	O	Not used
96	TSTA	I	Test data input “L” = normal “H” = test (Connecting to Ground)
97	PLDIVF	I	PLL input frequency select “L” = 256Fs “H” = 128Fs (Connecting to Ground)
98	PLDIVB	O	PLL output frequency select “L” = 768Fs “H” = 1024Fs (Connecting to Ground)
99	CLKI	I	Master clock input
100	CLKO	O	Master clock output (Not used)
101	VSS1	–	Ground
102	VDD0	–	+3.3V
103	AVSS	–	Ground for PLL cell
104	AVDD	–	VDD for PLL cell
105	PLLCK	I/O	PLL output/test clock input
106	XPLEN	I	PLL cell oscillation enable “L” oscillation enable “H” oscillation stop (Connecting to Ground)
107	TST	I	Test data input “L” = normal “H” = test (Connecting to Ground)
108	LRCT	I	Frequency counter input (Connecting to Ground)
109	LROUT	O	LRCK0 divider output
110	BKOUT	O	BCK0 divider output
111	VSS2	–	Ground
112	VDD1	–	+3.3V
113	BCK0	I	BCK input
114	BCK1	I	BCK input
115	LRCK0	I	LRCK input
116	LRCK1	I	LRCK input
117 to 120	SIA to SID	I	Serial data input

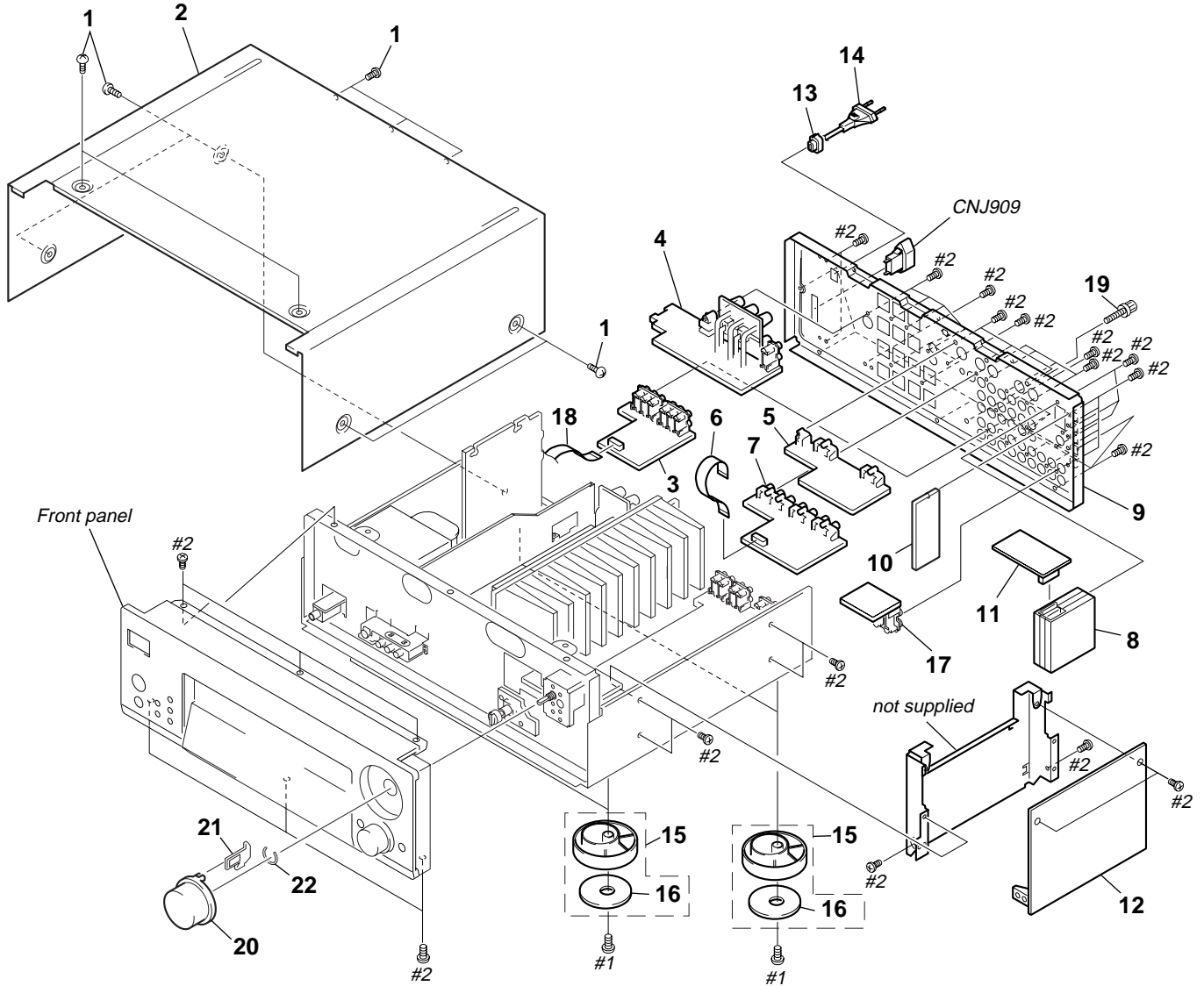
## SECTION 4 EXPLODED VIEWS

**NOTE:**

- Items marked “\*” are not stocked since they are seldom required for routine service. Some delay should be anticipated when ordering these items.
- Color Indication of Appearance Parts Example:  
KNOB, BALANCE (WHITE)  
↑  
Cabinet's color
- The mechanical parts with no reference number in the exploded views are not supplied.
- Hardware (# mark) list and accessories and packing materials are given in the last of this parts list.

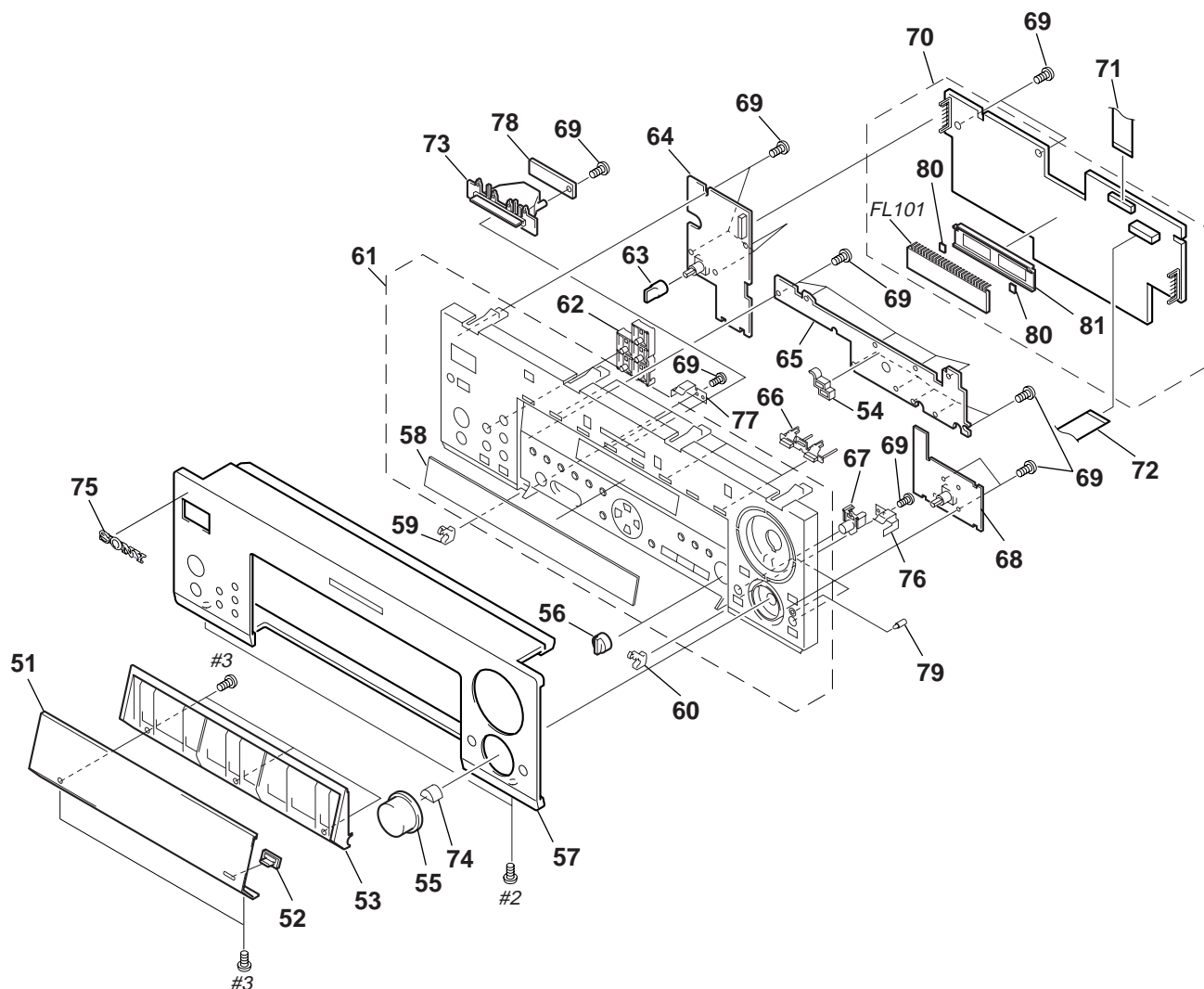
The components identified by mark  $\triangle$  or dotted line with mark  $\triangle$  are critical for safety. Replace only with part number specified.

### 4-1. CASE AND BACK PANEL SECTION



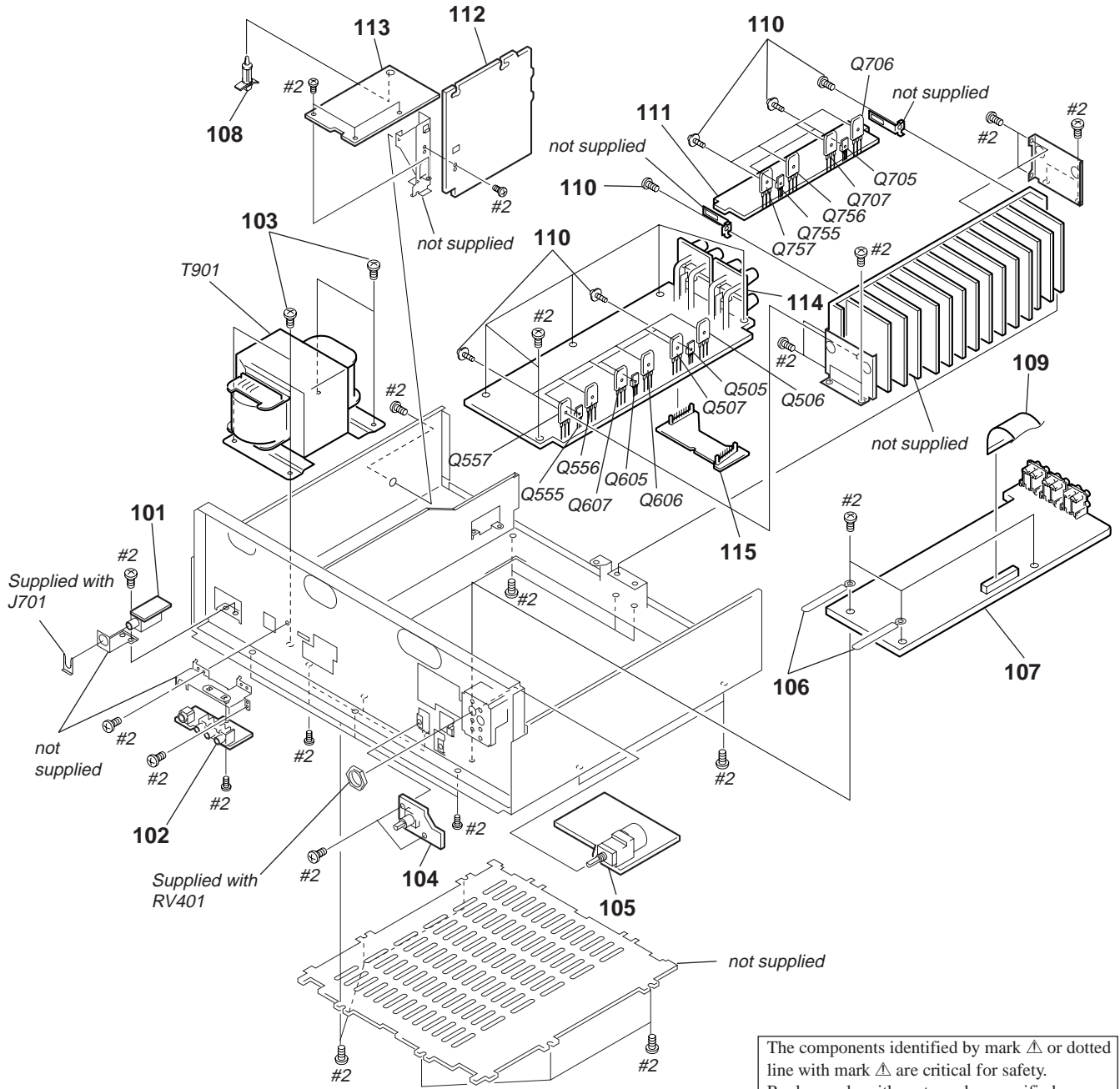
Ref. No.	Part No.	Description	Remark	Ref. No.	Part No.	Description	Remark
1	4-210-291-01	SCREW (CASE 3 TP2)(BLACK)		* 13	3-703-244-00	BUSHING (2104), CORD	
1	4-210-291-11	SCREW (CASE 3 TP2)(SILVER)		$\triangle$ 14	1-769-744-11	CORD, POWER	
* 2	X-4950-431-1	CASE ASSY (BLACK)		15	X-4949-523-1	FOOT ASSY (F50180S)	
* 2	X-4950-432-1	CASE ASSY (SILVER)		16	4-970-124-01	CUSHION (F50180S)	
* 3	1-670-001-11	AUDIO BOARD		* 17	1-670-022-11	5.1 IN BOARD	
* 4	A-4414-113-A	SP-S BOARD, COMPLETE		18	1-769-876-11	WIRE (FLAT TYPE)(7 CORE)	
* 5	1-670-004-11	S-VIDEO BOARD		19	4-947-010-01	SCREW, FEEDER FIXED	
6	1-769-904-11	WIRE (FLAT TYPE)(9 CORE)		20	X-3375-592-1	KNOB (VOL) ASSY (BLACK)	
* 7	1-670-003-11	VIDEO BOARD		20	X-4950-340-1	KNOB (VOL) ASSY (SILVER)	
8	1-693-409-11	TUNER		21	4-998-207-11	INDICATOR (VOL)	
* 9	4-900-493-21	PANEL, BACK		22	3-350-426-01	SPRING, RING	
* 10	1-670-029-11	D.IN/OUT BOARD		$\triangle$ CNJ909	1-526-794-11	OUTLET, AC	
* 11	1-670-000-11	TUNER BOARD					
* 12	A-4414-117-A	DIGITAL BOARD, COMPLETE					

## 4-2. FRONT PANEL SECTION



Ref. No.	Part No.	Description	Remark	Ref. No.	Part No.	Description	Remark
51	4-900-570-01	ESCUTCHEON (A-LID)(BLACK)		* 65	1-670-017-11	SW BOARD	
51	4-900-570-11	ESCUTCHEON (A-LID)(SILVER)		66	4-900-565-01	INDICATOR (2)	
52	4-900-492-01	KNOB (LID)		67	4-900-491-01	BUTTON (MUTE)	
* 53	4-900-569-01	ESCUTCHEON (M-LID)		* 68	1-670-023-11	ROTARY BOARD	
* 54	4-900-579-01	COVER (STI)		69	4-951-620-01	SCREW (2.6X8), +BVTP	
55	X-4948-601-1	KNOB (FUNC) ASSY (BLACK)		* 70	A-4414-097-A	DISPLAY BOARD, COMPLETE	
55	X-4950-280-1	KNOB (FUNC) ASSY (SILVER)		71	1-773-163-11	WIRE (FLAT TYPE)(21 CORE)	
56	4-900-500-01	KNOB (BAL)(BLACK)		72	1-769-961-11	WIRE (FLAT TYPE)(11 CORE)	
56	4-900-500-11	KNOB (BAL)(SILVER)		73	X-3375-588-1	ESCUTCHEON (WIN) ASSY	
57	4-900-568-01	PANEL, FRONT (BLACK)		74	3-703-466-00	SPRING (6600)	
57	4-900-568-31	PANEL, FRONT (SILVER)		75	4-942-568-41	EMBLEM (NO.5), SONY	
58	4-900-566-01	WINDOW		76	4-900-577-01	SPRING (1)(R)	
59	4-900-572-11	FULCRUM (L)		77	4-900-576-01	SPRING (1)(L)	
60	4-900-571-11	FULCRUM (R)		* 78	1-670-024-11	LED BOARD	
61	X-3375-590-1	BASE ASSY, PANEL (BLACK)		79	4-999-431-01	LENS, LED	
61	X-4950-278-1	BASE ASSY, PANEL (SILVER)		* 80	4-921-941-01	CUSHION (FL)	
62	4-900-563-01	BUTTON (5)(BLACK)		* 81	4-990-797-01	HOLDER (FL)	
62	4-900-563-11	BUTTON (5)(SILVER)		FL101	1-517-781-11	INDICATOR TUBE, FLUORESCENT	
63	4-957-383-01	KNOB (F14)					
* 64	1-670-018-11	SP SW BOARD					

### 4-3. CHASSIS SECTION



The components identified by mark △ or dotted line with mark △ are critical for safety. Replace only with part number specified.

Ref. No.	Part No.	Description	Remark	Ref. No.	Part No.	Description	Remark
* 101	1-670-006-11	H.P BOARD		Q506	8-749-010-25	IC MN2488-OPY-M	
* 102	1-670-021-11	F-VIDEO BOARD		Q507	8-749-010-26	IC MP1620-OPY-M	
103	4-900-386-01	SCREW		Q555	8-729-209-15	TRANSISTOR 2SD2012	
* 104	1-670-020-11	BALANCE BOARD		Q556	8-749-010-25	IC MN2488-OPY-M	
* 105	1-670-019-11	VOLUME BOARD		Q557	8-749-010-26	IC MP1620-OPY-M	
106	3-703-397-01	STOPPER, WIRING		Q605	8-729-209-15	TRANSISTOR 2SD2012	
* 107	A-4414-095-A	INPUT BOARD, COMPLETE		Q606	8-749-010-25	IC MN2488-OPY-M	
* 108	4-924-098-31	HOLDER, PC BOARD		Q607	8-749-010-26	IC MP1620-OPY-M	
109	1-773-285-11	WIRE (FLAT TYPE)(29 CORE)		Q705	8-729-209-15	TRANSISTOR 2SD2012	
110	3-905-609-11	SCREW (TRANSISTOR)		Q706	8-749-010-25	IC MN2488-OPY-M	
* 111	A-4414-112-A	REAR AMP BOARD, COMPLETE		Q707	8-749-010-26	IC MP1620-OPY-M	
* 112	1-669-998-11	AC BOARD		Q755	8-729-209-15	TRANSISTOR 2SD2012	
* 113	A-4414-109-A	REG BOARD, COMPLETE		Q756	8-749-010-25	IC MN2488-OPY-M	
* 114	A-4414-094-A	AMP BOARD, COMPLETE		Q757	8-749-010-26	IC MP1620-OPY-M	
* 115	1-670-032-11	JOINT BOARD		△ T901	1-431-889-11	TRANSFORMER, POWER	
Q505	8-729-209-15	TRANSISTOR 2SD2012					

## SECTION 5 ELECTRICAL PARTS LIST

**Note:**

The components identified by mark  $\Delta$  or dotted line with mark  $\Delta$  are critical for safety. Replace only with part number specified.

When indicating parts by reference number, please include the board name.

- Due to standardization, replacements in the parts list may be different from the parts specified in the diagrams or the components used on the set.
- -XX, -X mean standardized parts, so they may have some difference from the original one.
- Items marked "\*" are not stocked since they are seldom required for routine service. Some delay should be anticipated when ordering these items.
- RESISTORS  
All resistors are in ohms  
METAL: Metal-film resistor  
METAL OXIDE: Metal Oxide-film resistor  
F : nonflammable
- SEMICONDUCTORS  
In each case, u:  $\mu$ , for example:  
uA...:  $\mu$  A..., uPA...:  $\mu$  PA..., uPB...:  $\mu$  PB...,  
uPC...:  $\mu$  PC..., uPD...:  $\mu$  PD...
- CAPACITORS  
uF :  $\mu$  F
- COILS  
uH :  $\mu$  H

Ref. No.	Part No.	Description	Remark	Ref. No.	Part No.	Description	Remark
*	1-670-022-11	5.1 IN BOARD *****		FH903	1-533-399-31	HOLDER, FUSE	
		< CAPACITOR >		FH951	1-533-399-31	HOLDER, FUSE	
CC40	1-162-282-31	CERAMIC	100PF 10% 50V	FH953	1-533-399-31	HOLDER, FUSE	
CC41	1-162-282-31	CERAMIC	100PF 10% 50V			< RELAY >	
CC42	1-162-282-31	CERAMIC	100PF 10% 50V	RY901	1-515-999-11	RELAY, POWER	
CC45	1-162-282-31	CERAMIC	100PF 10% 50V			< TRANSFORMER >	
CC46	1-162-282-31	CERAMIC	100PF 10% 50V				
CC47	1-162-282-31	CERAMIC	100PF 10% 50V	$\Delta$ T902	1-431-387-11	TRANSFORMER, POWER	
		< JACK >		*****			
J430	1-784-983-11	JACK, PIN 6P (5.1/DVD INPUT)		*	A-4414-094-A	AMP BOARD, COMPLETE *****	
		< RESISTOR >				< CAPACITOR >	
R430	1-249-417-11	CARBON	1K 5% 1/4W F	C505	1-126-101-11	ELECT	100uF 20% 16V
R431	1-249-417-11	CARBON	1K 5% 1/4W F	C520	1-126-022-11	ELECT	47uF 20% 16V
R432	1-249-417-11	CARBON	1K 5% 1/4W F	C521	1-107-597-11	CERAMIC	22PF 10% 500V
R480	1-249-417-11	CARBON	1K 5% 1/4W F	C522	1-107-597-11	CERAMIC	22PF 10% 500V
R481	1-249-417-11	CARBON	1K 5% 1/4W F	C523	1-162-286-31	CERAMIC	220PF 10% 50V
R482	1-249-417-11	CARBON	1K 5% 1/4W F	C524	1-126-059-11	ELECT	10uF 20% 50V
		*****		C525	1-136-157-00	FILM	0.022uF 5% 50V
*	1-669-998-11	AC BOARD *****		C526	1-136-153-00	FILM	0.01uF 5% 50V
		< CONNECTOR >		C570	1-126-022-11	ELECT	47uF 20% 16V
* CNP905	1-580-230-21	PIN, CONNECTOR (PC BOARD) 2P		C571	1-107-597-11	CERAMIC	22PF 10% 500V
CNP915	1-691-766-11	PLUG (MICRO CONNECTOR) 4P		C572	1-107-597-11	CERAMIC	22PF 10% 500V
CNV901	1-564-321-00	PIN, CONNECTOR 2P		C573	1-162-286-31	CERAMIC	220PF 10% 50V
* CNV902	1-565-792-11	PIN, CONNECTOR 2P		C574	1-126-059-11	ELECT	10uF 20% 50V
		< DIODE >		C575	1-136-157-00	FILM	0.022uF 5% 50V
D907	8-719-911-19	DIODE 1SS119		C576	1-136-153-00	FILM	0.01uF 5% 50V
		< BRACKET >		C590	1-124-472-11	ELECT	470uF 20% 10V
E7	4-924-906-31	BRACKET		C598	1-126-233-11	ELECT	22uF 20% 50V
E8	4-924-906-31	BRACKET		C620	1-126-022-11	ELECT	47uF 20% 16V
		< FUSE >		C621	1-107-597-11	CERAMIC	22PF 10% 500V
$\Delta$ F901	1-532-504-51	FUSE, TIME-LAG (4A/250V)		C622	1-107-597-11	CERAMIC	22PF 10% 500V
$\Delta$ F903	1-532-464-51	FUSE, TIME-LAG (2.5A/250V)		C623	1-162-286-31	CERAMIC	220PF 10% 50V
		< FUSE HOLDER >		C625	1-136-157-00	FILM	0.022uF 5% 50V
FH901	1-533-399-31	HOLDER, FUSE		C801	1-104-664-11	ELECT	47uF 20% 25V
				C803	1-125-997-11	ELECT	12000uF 20% 63V
				C804	1-125-997-11	ELECT	12000uF 20% 63V
				C805	1-130-781-00	FILM	0.22uF 10% 100V
				C806	1-130-781-00	FILM	0.22uF 10% 100V
				C807	1-126-967-11	ELECT	47uF 20% 50V
				C808	1-126-967-11	ELECT	47uF 20% 50V
				C811	1-126-041-11	ELECT	2200uF 20% 35V
				C812	1-126-105-11	ELECT	1000uF 20% 35V

Ref. No.	Part No.	Description	Remark			Ref. No.	Part No.	Description	Remark		
C813	1-126-022-11	ELECT	47uF	20%	16V			< FUSE HOLDER >			
CC48	1-136-153-00	FILM	0.01uF	5%	50V						
CC49	1-136-153-00	FILM	0.01uF	5%	50V	FH801	1-533-293-11	FUSE HOLDER			
CC98	1-136-153-00	FILM	0.01uF	5%	50V	FH802	1-533-293-11	FUSE HOLDER			
						FH803	1-533-293-11	FUSE HOLDER			
CC99	1-136-153-00	FILM	0.01uF	5%	50V	FH804	1-533-293-11	FUSE HOLDER			
						FH851	1-533-293-11	FUSE HOLDER			
		< CONNECTOR >									
CNP751	1-779-978-11	PIN, CONNECTOR 3P				FH852	1-533-293-11	FUSE HOLDER			
* CNP801	1-564-243-11	PIN, CONNECTOR 6P				FH853	1-533-293-11	FUSE HOLDER			
* CNP802	1-564-104-00	PIN, CONNECTOR (B3P-VH) 3P				FH854	1-533-293-11	FUSE HOLDER			
CNP805	1-784-923-11	PIN, CONNECTOR 7P						< IC >			
CNP806	1-691-765-11	PLUG (MICRO CONNECTOR) 3P									
CNS651	1-784-806-11	HOUSING,CONNECTOR(PC BOARD)13P				IC809	8-759-708-05	IC NJM78L05A			
		< DIODE >						< COIL >			
D501	8-719-911-19	DIODE 1SS119				L501	1-411-906-11	COIL, AIR-CORE			
D502	8-719-109-51	DIODE RD2.0ES-B2				L551	1-411-906-11	COIL, AIR-CORE			
D503	8-719-109-51	DIODE RD2.0ES-B2						< TRANSISTOR >			
D504	8-719-911-19	DIODE 1SS119				Q504	8-729-119-76	TRANSISTOR 2SA1175-HFE			
D505	8-719-911-19	DIODE 1SS119				Q508	8-729-140-82	TRANSISTOR 2SA988-PAFAEA			
D506	8-719-911-19	DIODE 1SS119				Q509	8-729-281-53	TRANSISTOR 2SC1815-GR			
D545	8-719-911-19	DIODE 1SS119				Q510	8-729-900-63	TRANSISTOR DTA124ES			
D546	8-719-911-19	DIODE 1SS119				Q511	8-729-900-63	TRANSISTOR DTA124ES			
D547	8-719-911-19	DIODE 1SS119									
D548	8-719-911-19	DIODE 1SS119				Q546	8-729-119-79	TRANSISTOR 2SC2785-FEK			
D549	8-719-911-19	DIODE 1SS119				Q547	8-729-140-84	TRANSISTOR 2SC1841-PAFAEA			
D551	8-719-911-19	DIODE 1SS119				Q548	8-729-119-79	TRANSISTOR 2SC2785-FEK			
D552	8-719-109-51	DIODE RD2.0ES-B2				Q549	8-729-140-82	TRANSISTOR 2SA988-PAFAEA			
D553	8-719-109-51	DIODE RD2.0ES-B2				Q554	8-729-119-76	TRANSISTOR 2SA1175-HFE			
D554	8-719-911-19	DIODE 1SS119									
D555	8-719-911-19	DIODE 1SS119				Q558	8-729-140-82	TRANSISTOR 2SA988-PAFAEA			
D556	8-719-911-19	DIODE 1SS119				Q559	8-729-281-53	TRANSISTOR 2SC1815-GR			
D601	8-719-911-19	DIODE 1SS119				Q560	8-729-900-63	TRANSISTOR DTA124ES			
D602	8-719-109-51	DIODE RD2.0ES-B2				Q561	8-729-900-63	TRANSISTOR DTA124ES			
D603	8-719-109-51	DIODE RD2.0ES-B2				Q596	8-729-119-79	TRANSISTOR 2SC2785-FEK			
D604	8-719-911-19	DIODE 1SS119									
D608	8-719-911-19	DIODE 1SS119				Q601	8-729-119-79	TRANSISTOR 2SC2785-FEK			
D801	8-719-302-37	DIODE RBV-602				Q604	8-729-119-76	TRANSISTOR 2SA1175-HFE			
D802	8-719-024-99	DIODE 11ES2-NTA2B				Q608	8-729-140-82	TRANSISTOR 2SA988-PAFAEA			
D803	8-719-024-99	DIODE 11ES2-NTA2B				Q613	8-729-281-53	TRANSISTOR 2SC1815-GR			
D804	8-719-024-99	DIODE 11ES2-NTA2B				Q616	8-729-900-36	TRANSISTOR DTC124ES			
D805	8-719-024-99	DIODE 11ES2-NTA2B									
D806	8-719-160-26	DIODE RD5.6F-B2				Q801	8-729-026-68	TRANSISTOR 2SD2525(TP)			
D807	8-719-934-22	DIODE HZS30-2L						< RESISTOR >			
		< GROUND TERMINAL >				R521	1-249-422-11	CARBON	2.7K	5%	1/4W F
* EB701	1-537-738-21	TERMINAL, EARTH				R522	1-249-433-11	CARBON	22K	5%	1/4W
* EB702	1-537-738-21	TERMINAL, EARTH				R523	1-249-414-11	CARBON	560	5%	1/4W F
		< FUSE >				△ R524	1-249-408-11	CARBON	180	5%	1/4W F
△ F801	1-532-506-51	FUSE, TIME-LAG (6.3A/250V)				△ R525	1-249-408-11	CARBON	180	5%	1/4W F
△ F802	1-532-506-51	FUSE, TIME-LAG (6.3A/250V)									
△ F803	1-532-504-51	FUSE, TIME-LAG (4A/250V)				△ R526	1-233-352-41	ENCAPSULATED COMPONENT			
△ F804	1-532-504-51	FUSE, TIME-LAG (4A/250V)				R527	1-247-850-11	CARBON	6.2K	5%	1/4W
						R528	1-249-419-11	CARBON	1.5K	5%	1/4W F
						R529	1-247-866-11	CARBON	30K	5%	1/4W
						R530	1-249-422-11	CARBON	2.7K	5%	1/4W F
						R531	1-249-433-11	CARBON	22K	5%	1/4W
						R532	1-249-437-11	CARBON	47K	5%	1/4W
						△ R533	1-249-393-11	CARBON	10	5%	1/4W F
						△ R534	1-249-389-11	CARBON	4.7	5%	1/4W F
						R535	1-249-431-11	CARBON	15K	5%	1/4W

The components identified by mark △ or dotted line with mark △ are critical for safety. Replace only with part number specified.

**AMP**      **AUDIO**

Ref. No.	Part No.	Description	Remark
R539	1-249-427-11	CARBON 6.8K 5%	1/4W F
R540	1-249-417-11	CARBON 1K 5%	1/4W F
R541	1-249-429-11	CARBON 10K 5%	1/4W
R542	1-249-429-11	CARBON 10K 5%	1/4W
R547	1-249-425-11	CARBON 4.7K 5%	1/4W F
R548	1-249-429-11	CARBON 10K 5%	1/4W
△ R549	1-249-407-11	CARBON 150 5%	1/4W F
R555	1-247-881-00	CARBON 120K 5%	1/4W
R556	1-247-881-00	CARBON 120K 5%	1/4W
R571	1-249-422-11	CARBON 2.7K 5%	1/4W F
R572	1-249-433-11	CARBON 22K 5%	1/4W
R573	1-249-414-11	CARBON 560 5%	1/4W F
△ R574	1-249-408-11	CARBON 180 5%	1/4W F
△ R575	1-249-408-11	CARBON 180 5%	1/4W F
△ R576	1-233-352-41	ENCAPSULATED COMPONENT	
R577	1-247-850-11	CARBON 6.2K 5%	1/4W
R578	1-249-419-11	CARBON 1.5K 5%	1/4W F
R579	1-247-866-11	CARBON 30K 5%	1/4W
R580	1-249-422-11	CARBON 2.7K 5%	1/4W F
R581	1-249-433-11	CARBON 22K 5%	1/4W
R582	1-249-437-11	CARBON 47K 5%	1/4W
△ R583	1-249-393-11	CARBON 10 5%	1/4W F
△ R584	1-249-389-11	CARBON 4.7 5%	1/4W F
R585	1-249-431-11	CARBON 15K 5%	1/4W
R586	1-249-429-11	CARBON 10K 5%	1/4W
R587	1-249-425-11	CARBON 4.7K 5%	1/4W F
△ R588	1-249-393-11	CARBON 10 5%	1/4W F
R621	1-249-422-11	CARBON 2.7K 5%	1/4W F
R622	1-247-880-00	CARBON 120K 5%	1/4W
△ R623	1-249-414-11	CARBON 560 5%	1/4W F
△ R624	1-249-408-11	CARBON 180 5%	1/4W F
△ R625	1-249-408-11	CARBON 180 5%	1/4W F
△ R626	1-233-352-41	ENCAPSULATED COMPONENT	
R627	1-247-850-11	CARBON 6.2K 5%	1/4W
R628	1-249-419-11	CARBON 1.5K 5%	1/4W F
R632	1-249-437-11	CARBON 47K 5%	1/4W
R633	1-249-393-11	CARBON 10 5%	1/4W F
△ R642	1-215-887-00	METAL OXIDE 470 5%	2W F
R643	1-249-441-11	CARBON 100K 5%	1/4W
R650	1-249-425-11	CARBON 4.7K 5%	1/4W F
R657	1-249-429-11	CARBON 10K 5%	1/4W
△ R658	1-249-393-11	CARBON 10 5%	1/4W F
R672	1-249-433-11	CARBON 22K 5%	1/4W
△ R739	1-215-868-00	METAL OXIDE 680 5%	1W F
△ R789	1-215-868-00	METAL OXIDE 680 5%	1W F
R801	1-247-843-11	CARBON 3.3K 5%	1/4W
△ R802	1-249-401-11	CARBON 47 5%	1/4W F
△ RR48	1-249-393-11	CARBON 10 5%	1/4W F
△ RR49	1-249-393-11	CARBON 10 5%	1/4W F
△ RR98	1-249-393-11	CARBON 10 5%	1/4W F
△ RR99	1-249-393-11	CARBON 10 5%	1/4W F
		< RELAY >	
RY501	1-515-920-11	RELAY (24V)	
RY502	1-515-920-11	RELAY (24V)	
RY602	1-515-793-11	RELAY	

Ref. No.	Part No.	Description	Remark
		< TERMINAL >	
TM501	1-694-429-21	TERMINAL BOARD (SP)(SPEAKERS FRONT)	
*****			
*	1-670-001-11	AUDIO BOARD	
*****			
		< CAPACITOR >	
C396	1-126-022-11	ELECT 47uF 20%	16V
C397	1-126-022-11	ELECT 47uF 20%	16V
C398	1-162-282-31	CERAMIC 100PF 10%	50V
C399	1-162-294-31	CERAMIC 0.001uF 10%	50V
CC08	1-162-282-31	CERAMIC 100PF 10%	50V
CC09	1-162-282-31	CERAMIC 100PF 10%	50V
CC10	1-162-282-31	CERAMIC 100PF 10%	50V
CC11	1-162-282-31	CERAMIC 100PF 10%	50V
CC12	1-162-282-31	CERAMIC 100PF 10%	50V
CC13	1-162-282-31	CERAMIC 100PF 10%	50V
CC58	1-162-282-31	CERAMIC 100PF 10%	50V
CC59	1-162-282-31	CERAMIC 100PF 10%	50V
CC60	1-162-282-31	CERAMIC 100PF 10%	50V
CC61	1-162-282-31	CERAMIC 100PF 10%	50V
CC62	1-162-282-31	CERAMIC 100PF 10%	50V
CC63	1-162-282-31	CERAMIC 100PF 10%	50V
		< CONNECTOR >	
CNJ701	1-774-136-11	CONNECTOR, ROUND TYPE 6P	
CNS351	1-784-729-11	CONNECTOR, FFC 7P	
		< IC >	
IC303	8-759-805-14	IC LC7822	
		< JACK >	
J304	1-784-920-11	JACK, PIN 6P (VIDEO2 AUDIO IN/ VIDEO1 AUDIO OUT/VIDEO1 AUDIO IN)	
J305	1-784-920-11	JACK, PIN 6P (TV/LD AUDIO IN/ DVD AUDIO IN/VIDEO2 AUDIO OUT)	
		< RESISTOR >	
R315	1-249-417-11	CARBON 1K 5%	1/4W F
R316	1-249-417-11	CARBON 1K 5%	1/4W F
R317	1-249-417-11	CARBON 1K 5%	1/4W F
R318	1-249-417-11	CARBON 1K 5%	1/4W F
R319	1-249-417-11	CARBON 1K 5%	1/4W F
R320	1-249-417-11	CARBON 1K 5%	1/4W F
R365	1-249-417-11	CARBON 1K 5%	1/4W F
R366	1-249-417-11	CARBON 1K 5%	1/4W F
R367	1-249-417-11	CARBON 1K 5%	1/4W F
R368	1-249-417-11	CARBON 1K 5%	1/4W F
R369	1-249-417-11	CARBON 1K 5%	1/4W F
R370	1-249-417-11	CARBON 1K 5%	1/4W F
R394	1-249-397-11	CARBON 22 5%	1/4W F
R395	1-249-397-11	CARBON 22 5%	1/4W F
R398	1-249-417-11	CARBON 1K 5%	1/4W F
R399	1-249-425-11	CARBON 4.7K 5%	1/4W F

\*\*\*\*\*

The components identified by mark △ or dotted line with mark △ are critical for safety. Replace only with part number specified.



Ref. No.	Part No.	Description	Remark
*	1-670-020-11	BALANCE BOARD *****	
		< CONNECTOR >	
CNP106	1-564-721-11	PIN, CONNECTOR (SMALL TYPE) 5P	
		< VARIABLE RESISTOR >	
RV402	1-225-650-11	RES, VAR, CARBON 100K/100K (BALANCE)	
*****			
*	1-670-029-11	D.IN/OUT BOARD *****	
		< CAPACITOR >	
C1001	1-165-319-11	CERAMIC CHIP 0.1uF	50V
C1002	1-165-319-11	CERAMIC CHIP 0.1uF	50V
C1003	1-165-319-11	CERAMIC CHIP 0.1uF	50V
C1004	1-165-319-11	CERAMIC CHIP 0.1uF	50V
C1005	1-165-319-11	CERAMIC CHIP 0.1uF	50V
C1006	1-165-319-11	CERAMIC CHIP 0.1uF	50V
C1007	1-164-346-11	CERAMIC CHIP 1uF	16V
C1008	1-165-319-11	CERAMIC CHIP 0.1uF	50V
C1009	1-104-664-11	ELECT 47uF	20% 16V
		< CONNECTOR >	
CNS13	1-564-723-11	PIN, CONNECTOR (SMALL TYPE) 7P	
		< IC >	
IC1001	8-749-923-05	IC TORX178 (DIGITAL OPT TV/LD IN)	
IC1002	8-749-923-05	IC TORX178 (DIGITAL OPT DVD IN)	
IC1003	8-749-923-05	IC TORX178 (DIGITAL OPT MD/DAT IN)	
IC1004	8-749-923-04	IC TOTX178 (DIGITAL OPT MD/DAT OUT)	
IC1005	8-759-236-19	IC TC74HC151AF(EL)	
IC1006	8-759-235-19	IC TC74HC08AF(EL)	
IC1007	8-759-242-70	IC TC7WU04F	
		< JACK >	
J1001	1-779-382-11	JACK, PIN 1P (DIGITAL DVD COAX)	
		< RESISTOR >	
R1001	1-216-022-00	METAL CHIP 75 5%	1/10W
R1002	1-216-022-00	METAL CHIP 75 5%	1/10W
R1003	1-216-022-00	METAL CHIP 75 5%	1/10W
R1004	1-216-022-00	METAL CHIP 75 5%	1/10W
R1005	1-216-025-91	RES.CHIP 100 5%	1/10W
R1006	1-216-025-91	RES.CHIP 100 5%	1/10W
R1007	1-216-025-91	RES.CHIP 100 5%	1/10W
R1008	1-216-022-00	METAL CHIP 75 5%	1/10W
R1009	1-216-049-91	RES.CHIP 1K 5%	1/10W
R1010	1-216-073-00	METAL CHIP 10K 5%	1/10W
R1011	1-216-025-91	RES.CHIP 100 5%	1/10W
R1013	1-216-115-00	METAL CHIP 560K 5%	1/10W

\*\*\*\*\*

Ref. No.	Part No.	Description	Remark
*	A-4414-117-A	DIGITAL BOARD, COMPLETE *****	
		< CAPACITOR >	
C1101	1-163-275-11	CERAMIC CHIP 0.001uF	5% 50V
C1102	1-126-022-11	ELECT 47uF	20% 16V
C1103	1-165-319-11	CERAMIC CHIP 0.1uF	50V
C1104	1-165-319-11	CERAMIC CHIP 0.1uF	50V
C1105	1-126-022-11	ELECT 47uF	20% 16V
C1106	1-165-319-11	CERAMIC CHIP 0.1uF	50V
C1107	1-163-021-91	CERAMIC CHIP 0.01uF	10% 50V
C1108	1-165-319-11	CERAMIC CHIP 0.1uF	50V
C1109	1-163-243-11	CERAMIC CHIP 47PF	5% 50V
C1110	1-163-243-11	CERAMIC CHIP 47PF	5% 50V
C1111	1-165-319-11	CERAMIC CHIP 0.1uF	50V
C1112	1-165-319-11	CERAMIC CHIP 0.1uF	50V
C1113	1-126-059-11	ELECT 10uF	20% 50V
C1114	1-165-319-11	CERAMIC CHIP 0.1uF	50V
C1115	1-126-059-11	ELECT 10uF	20% 50V
C1116	1-165-319-11	CERAMIC CHIP 0.1uF	50V
C1117	1-163-251-11	CERAMIC CHIP 100PF	5% 50V
C1118	1-165-319-11	CERAMIC CHIP 0.1uF	50V
C1119	1-165-319-11	CERAMIC CHIP 0.1uF	50V
C1120	1-126-059-11	ELECT 10uF	20% 50V
C1121	1-165-319-11	CERAMIC CHIP 0.1uF	50V
C1122	1-126-233-11	ELECT 22uF	20% 50V
C1123	1-106-347-00	MYLAR 1500PF	5% 200V
C1124	1-126-233-11	ELECT 22uF	20% 50V
C1125	1-126-233-11	ELECT 22uF	20% 50V
C1126	1-126-233-11	ELECT 22uF	20% 50V
C1127	1-163-251-11	CERAMIC CHIP 100PF	5% 50V
C1128	1-126-233-11	ELECT 22uF	20% 50V
C1129	1-163-251-11	CERAMIC CHIP 100PF	5% 50V
C1130	1-126-233-11	ELECT 22uF	20% 50V
C1131	1-163-251-11	CERAMIC CHIP 100PF	5% 50V
C1132	1-126-233-11	ELECT 22uF	20% 50V
C1133	1-163-251-11	CERAMIC CHIP 100PF	5% 50V
C1134	1-126-233-11	ELECT 22uF	20% 50V
C1135	1-163-251-11	CERAMIC CHIP 100PF	5% 50V
C1136	1-126-233-11	ELECT 22uF	20% 50V
C1137	1-163-251-11	CERAMIC CHIP 100PF	5% 50V
C1138	1-126-233-11	ELECT 22uF	20% 50V
C1139	1-126-022-11	ELECT 47uF	20% 16V
C1140	1-126-022-11	ELECT 47uF	20% 16V
C1141	1-165-319-11	CERAMIC CHIP 0.1uF	50V
C1142	1-165-319-11	CERAMIC CHIP 0.1uF	50V
C1143	1-165-319-11	CERAMIC CHIP 0.1uF	50V
C1170	1-126-059-11	ELECT 10uF	20% 50V
C1171	1-165-319-11	CERAMIC CHIP 0.1uF	50V
C1172	1-126-233-11	ELECT 22uF	20% 50V
C1173	1-106-347-00	MYLAR 1500PF	5% 200V
C1174	1-126-233-11	ELECT 22uF	20% 50V
C1175	1-126-233-11	ELECT 22uF	20% 50V
C1176	1-126-233-11	ELECT 22uF	20% 50V
C1201	1-126-059-11	ELECT 10uF	20% 50V
C1202	1-165-319-11	CERAMIC CHIP 0.1uF	50V
C1203	1-165-319-11	CERAMIC CHIP 0.1uF	50V

# DIGITAL

Ref. No.	Part No.	Description	Remark	Ref. No.	Part No.	Description	Remark	
C1204	1-165-319-11	CERAMIC CHIP	0.1uF	50V	D1205	8-719-016-74	DIODE 1SS352	
C1205	1-165-319-11	CERAMIC CHIP	0.1uF	50V	D1206	8-719-801-78	DIODE 1SS184	
C1206	1-163-275-11	CERAMIC CHIP	0.001uF	5%	50V		< GROUND TERMINAL >	
C1207	1-165-319-11	CERAMIC CHIP	0.1uF	50V				
C1208	1-165-319-11	CERAMIC CHIP	0.1uF	50V	* EB1001	1-537-738-21	TERMINAL, EARTH	
C1209	1-165-319-11	CERAMIC CHIP	0.1uF	50V			< FERRITE BEAD >	
C1210	1-163-251-11	CERAMIC CHIP	100PF	5%	50V			
C1211	1-163-251-11	CERAMIC CHIP	100PF	5%	50V	FB1101	1-410-397-21	FERRITE BEAD INDUCTOR
C1212	1-163-251-11	CERAMIC CHIP	100PF	5%	50V	FB1102	1-410-397-21	FERRITE BEAD INDUCTOR
C1213	1-163-251-11	CERAMIC CHIP	100PF	5%	50V		< IC >	
C1214	1-163-251-11	CERAMIC CHIP	100PF	5%	50V			
C1215	1-165-319-11	CERAMIC CHIP	0.1uF	50V				
C1216	1-165-319-11	CERAMIC CHIP	0.1uF	50V	IC303	8-759-524-52	IC TC74VHC574FT(EL)	
C1217	1-165-319-11	CERAMIC CHIP	0.1uF	50V	IC304	8-759-524-52	IC TC74VHC574FT(EL)	
C1301	1-165-319-11	CERAMIC CHIP	0.1uF	50V	IC1101	8-759-294-79	IC CXD8495AQ	
C1302	1-165-319-11	CERAMIC CHIP	0.1uF	50V	IC1102	8-759-523-80	IC TC74VHC04FT(EL)	
C1303	1-165-319-11	CERAMIC CHIP	0.1uF	50V	IC1103	8-759-534-62	IC AK4526	
C1304	1-165-319-11	CERAMIC CHIP	0.1uF	50V	IC1104	8-759-636-55	IC M5218AFP	
C1305	1-165-319-11	CERAMIC CHIP	0.1uF	50V	IC1105	8-759-636-55	IC M5218AFP	
C1306	1-165-319-11	CERAMIC CHIP	0.1uF	50V	IC1106	8-759-636-55	IC M5218AFP	
C1307	1-163-227-11	CERAMIC CHIP	10PF	0.5PF	50V	IC1107	8-759-636-55	IC M5218AFP
C1308	1-165-319-11	CERAMIC CHIP	0.1uF	50V	IC1108	8-759-032-01	IC MC74HC00AF	
C1310	1-165-319-11	CERAMIC CHIP	0.1uF	50V	IC1109	8-759-195-02	IC TC7S86F-TE85L	
C1311	1-165-319-11	CERAMIC CHIP	0.1uF	50V	IC1154	8-759-636-55	IC M5218AFP	
C1312	1-165-319-11	CERAMIC CHIP	0.1uF	50V	IC1201	8-759-545-83	IC MB90574PFV-G-146-BND	
C1313	1-165-319-11	CERAMIC CHIP	0.1uF	50V	IC1202	8-759-523-80	IC TC74VHC04FT(EL)	
C1401	1-165-319-11	CERAMIC CHIP	0.1uF	50V	IC1301	8-759-538-17	IC CS4926	
C1402	1-165-319-11	CERAMIC CHIP	0.1uF	50V	IC1302	8-759-553-27	IC MSM531031B-84GS-KR1	
C1403	1-163-275-11	CERAMIC CHIP	0.001uF	5%	50V	IC1305	8-759-530-30	IC TC74VHC04FT(EL)
C1404	1-165-319-11	CERAMIC CHIP	0.1uF	50V	IC1401	8-752-391-87	IC CXD2712R	
C1405	1-165-319-11	CERAMIC CHIP	0.1uF	50V	IC1402	8-759-538-16	IC IDT71V016S15PHAU-TL	
C1406	1-165-319-11	CERAMIC CHIP	0.1uF	50V	IC1403	8-759-524-48	IC TC74VHC393FT(EL)	
C1407	1-165-319-11	CERAMIC CHIP	0.1uF	50V	IC1501	8-759-231-53	IC TA7805S	
C1408	1-165-319-11	CERAMIC CHIP	0.1uF	50V			< TRANSISTOR >	
C1409	1-124-443-00	ELECT	100uF	20%	10V	Q1201	8-729-216-22	TRANSISTOR 2SA1162-G
C1410	1-165-319-11	CERAMIC CHIP	0.1uF	50V	Q1202	8-729-027-43	TRANSISTOR DTC114EKA-T146	
C1411	1-165-319-11	CERAMIC CHIP	0.1uF	50V	Q1203	8-729-230-49	TRANSISTOR 2SC2712-YG	
C1412	1-165-319-11	CERAMIC CHIP	0.1uF	50V	Q1204	8-729-230-49	TRANSISTOR 2SC2712-YG	
C1413	1-165-319-11	CERAMIC CHIP	0.1uF	50V	Q1205	8-729-230-49	TRANSISTOR 2SC2712-YG	
C1501	1-126-012-11	ELECT	470uF	20%	16V	Q1206	8-729-230-49	TRANSISTOR 2SC2712-YG
C1502	1-126-022-11	ELECT	47uF	20%	16V	Q1207	8-729-230-49	TRANSISTOR 2SC2712-YG
						Q1208	8-729-027-43	TRANSISTOR DTC114EKA-T146
		< CONNECTOR >						< RESISTOR >
CNP10	1-784-926-11	PIN, CONNECTOR	11P			R1101	1-216-025-91	RES,CHIP 100 5% 1/10W
CNP11	1-779-978-11	PIN, CONNECTOR	3P			R1102	1-216-025-91	RES,CHIP 100 5% 1/10W
CNP12	1-784-923-11	PIN, CONNECTOR	7P			R1103	1-216-025-91	RES,CHIP 100 5% 1/10W
CNP14	1-779-977-11	PIN, CONNECTOR	6P			R1104	1-216-085-00	METAL CHIP 33K 5% 1/10W
CNP15	1-564-510-11	PLUG, CONNECTOR	7P			R1105	1-216-082-00	RES,CHIP 24K 5% 1/10W
CNS10	1-784-782-11	CONNECTOR, FFC	21P			R1106	1-216-066-00	METAL CHIP 5.1K 5% 1/10W
CNS11	1-784-790-11	CONNECTOR, FFC	29P			R1107	1-216-066-00	METAL CHIP 5.1K 5% 1/10W
		< DIODE >				R1108	1-216-029-00	METAL CHIP 150 5% 1/10W
D1101	8-719-016-74	DIODE	1SS352			R1109	1-216-104-00	METAL CHIP 200K 5% 1/10W
D1201	8-719-016-74	DIODE	1SS352			R1110	1-216-025-91	RES,CHIP 100 5% 1/10W
D1202	8-719-801-78	DIODE	1SS184			R1111	1-216-089-91	RES,CHIP 47K 5% 1/10W
D1203	8-719-801-78	DIODE	1SS184			R1112	1-216-025-91	RES,CHIP 100 5% 1/10W
D1204	8-719-016-74	DIODE	1SS352					

Ref. No.	Part No.	Description			Remark	Ref. No.	Part No.	Description			Remark
R1113	1-216-025-91	RES,CHIP	100	5%	1/10W	R1173	1-216-065-91	RES,CHIP	4.7K	5%	1/10W
R1114	1-216-025-91	RES,CHIP	100	5%	1/10W	R1174	1-216-037-00	METAL CHIP	330	5%	1/10W
R1115	1-216-097-91	RES,CHIP	100K	5%	1/10W	R1175	1-216-073-00	METAL CHIP	10K	5%	1/10W
R1116	1-216-025-91	RES,CHIP	100	5%	1/10W	R1176	1-216-037-00	METAL CHIP	330	5%	1/10W
R1117	1-216-025-91	RES,CHIP	100	5%	1/10W	R1177	1-216-073-00	METAL CHIP	10K	5%	1/10W
R1118	1-216-097-91	RES,CHIP	100K	5%	1/10W	R1178	1-216-049-91	RES,CHIP	1K	5%	1/10W
R1119	1-216-025-91	RES,CHIP	100	5%	1/10W	R1179	1-216-049-91	RES,CHIP	1K	5%	1/10W
R1120	1-216-065-91	RES,CHIP	4.7K	5%	1/10W	R1180	1-216-049-91	RES,CHIP	1K	5%	1/10W
R1121	1-216-065-91	RES,CHIP	4.7K	5%	1/10W	R1201	1-216-097-91	RES,CHIP	100K	5%	1/10W
R1122	1-216-073-00	METAL CHIP	10K	5%	1/10W	R1202	1-216-049-91	RES,CHIP	1K	5%	1/10W
R1123	1-216-065-91	RES,CHIP	4.7K	5%	1/10W	R1203	1-216-049-91	RES,CHIP	1K	5%	1/10W
R1124	1-216-037-00	METAL CHIP	330	5%	1/10W	R1204	1-216-049-91	RES,CHIP	1K	5%	1/10W
R1125	1-216-073-00	METAL CHIP	10K	5%	1/10W	R1205	1-216-049-91	RES,CHIP	1K	5%	1/10W
R1126	1-216-037-00	METAL CHIP	330	5%	1/10W	R1206	1-216-049-91	RES,CHIP	1K	5%	1/10W
R1127	1-216-073-00	METAL CHIP	10K	5%	1/10W	R1207	1-216-049-91	RES,CHIP	1K	5%	1/10W
R1128	1-216-049-91	RES,CHIP	1K	5%	1/10W	R1208	1-216-049-91	RES,CHIP	1K	5%	1/10W
R1129	1-216-049-91	RES,CHIP	1K	5%	1/10W	R1209	1-216-049-91	RES,CHIP	1K	5%	1/10W
R1130	1-216-049-91	RES,CHIP	1K	5%	1/10W	R1210	1-216-049-91	RES,CHIP	1K	5%	1/10W
R1131	1-216-097-91	RES,CHIP	100K	5%	1/10W	R1211	1-216-049-91	RES,CHIP	1K	5%	1/10W
R1132	1-216-089-91	RES,CHIP	47K	5%	1/10W	R1212	1-216-049-91	RES,CHIP	1K	5%	1/10W
R1133	1-216-089-91	RES,CHIP	47K	5%	1/10W	R1213	1-216-049-91	RES,CHIP	1K	5%	1/10W
R1134	1-216-049-91	RES,CHIP	1K	5%	1/10W	R1214	1-216-049-91	RES,CHIP	1K	5%	1/10W
R1135	1-216-025-91	RES,CHIP	100	5%	1/10W	R1215	1-216-025-91	RES,CHIP	100	5%	1/10W
R1136	1-216-089-91	RES,CHIP	47K	5%	1/10W	R1216	1-216-025-91	RES,CHIP	100	5%	1/10W
R1137	1-216-089-91	RES,CHIP	47K	5%	1/10W	R1217	1-216-025-91	RES,CHIP	100	5%	1/10W
R1138	1-216-089-91	RES,CHIP	47K	5%	1/10W	R1218	1-216-049-91	RES,CHIP	1K	5%	1/10W
R1139	1-216-049-91	RES,CHIP	1K	5%	1/10W	R1219	1-216-049-91	RES,CHIP	1K	5%	1/10W
R1140	1-216-089-91	RES,CHIP	47K	5%	1/10W	R1220	1-216-049-91	RES,CHIP	1K	5%	1/10W
R1141	1-216-089-91	RES,CHIP	47K	5%	1/10W	R1221	1-216-049-91	RES,CHIP	1K	5%	1/10W
R1142	1-216-089-91	RES,CHIP	47K	5%	1/10W	R1222	1-216-049-91	RES,CHIP	1K	5%	1/10W
R1143	1-216-049-91	RES,CHIP	1K	5%	1/10W	R1223	1-216-104-00	METAL CHIP	200K	5%	1/10W
R1144	1-216-089-91	RES,CHIP	47K	5%	1/10W	R1224	1-216-295-91	SHORT	0		
R1145	1-216-089-91	RES,CHIP	47K	5%	1/10W	R1225	1-216-689-11	METAL CHIP	39K	0.5%	1/10W
R1146	1-216-089-91	RES,CHIP	47K	5%	1/10W	R1226	1-216-689-11	METAL CHIP	39K	0.5%	1/10W
R1147	1-216-049-91	RES,CHIP	1K	5%	1/10W	R1227	1-216-073-00	METAL CHIP	10K	5%	1/10W
R1148	1-216-089-91	RES,CHIP	47K	5%	1/10W	R1228	1-216-073-00	METAL CHIP	10K	5%	1/10W
R1149	1-216-089-91	RES,CHIP	47K	5%	1/10W	R1229	1-216-097-91	RES,CHIP	100K	5%	1/10W
R1150	1-216-089-91	RES,CHIP	47K	5%	1/10W	R1230	1-216-097-91	RES,CHIP	100K	5%	1/10W
R1151	1-216-049-91	RES,CHIP	1K	5%	1/10W	R1231	1-216-049-91	RES,CHIP	1K	5%	1/10W
R1152	1-216-089-91	RES,CHIP	47K	5%	1/10W	R1232	1-216-049-91	RES,CHIP	1K	5%	1/10W
R1153	1-216-089-91	RES,CHIP	47K	5%	1/10W	R1233	1-216-049-91	RES,CHIP	1K	5%	1/10W
R1154	1-216-089-91	RES,CHIP	47K	5%	1/10W	R1234	1-216-049-91	RES,CHIP	1K	5%	1/10W
R1155	1-216-295-91	SHORT	0			R1235	1-216-049-91	RES,CHIP	1K	5%	1/10W
R1156	1-216-049-91	RES,CHIP	1K	5%	1/10W	R1236	1-216-049-91	RES,CHIP	1K	5%	1/10W
R1157	1-216-295-91	SHORT	0			R1237	1-216-049-91	RES,CHIP	1K	5%	1/10W
R1158	1-216-025-91	RES,CHIP	100	5%	1/10W	R1238	1-216-049-91	RES,CHIP	1K	5%	1/10W
R1159	1-216-025-91	RES,CHIP	100	5%	1/10W	R1239	1-216-073-00	METAL CHIP	10K	5%	1/10W
R1160	1-216-089-91	RES,CHIP	47K	5%	1/10W	R1240	1-216-073-00	METAL CHIP	10K	5%	1/10W
R1161	1-216-089-91	RES,CHIP	47K	5%	1/10W	R1241	1-216-073-00	METAL CHIP	10K	5%	1/10W
R1162	1-216-089-91	RES,CHIP	47K	5%	1/10W	R1242	1-216-057-00	METAL CHIP	2.2K	5%	1/10W
R1163	1-216-089-91	RES,CHIP	47K	5%	1/10W	R1243	1-216-025-91	RES,CHIP	100	5%	1/10W
R1164	1-216-089-91	RES,CHIP	47K	5%	1/10W	R1244	1-216-057-00	METAL CHIP	2.2K	5%	1/10W
R1165	1-216-089-91	RES,CHIP	47K	5%	1/10W	R1245	1-216-057-00	METAL CHIP	2.2K	5%	1/10W
R1166	1-216-089-91	RES,CHIP	47K	5%	1/10W	R1246	1-216-025-91	RES,CHIP	100	5%	1/10W
R1170	1-216-065-91	RES,CHIP	4.7K	5%	1/10W	R1247	1-216-025-91	RES,CHIP	100	5%	1/10W
R1171	1-216-065-91	RES,CHIP	4.7K	5%	1/10W	R1248	1-216-065-91	RES,CHIP	4.7K	5%	1/10W
R1172	1-216-073-00	METAL CHIP	10K	5%	1/10W						

**DIGITAL**

**DISPLAY**

Ref. No.	Part No.	Description	Remark
R1249	1-216-073-00	METAL CHIP	10K 5% 1/10W
R1250	1-216-065-91	RES,CHIP	4.7K 5% 1/10W
R1251	1-216-073-00	METAL CHIP	10K 5% 1/10W
R1252	1-216-057-00	METAL CHIP	2.2K 5% 1/10W
R1253	1-216-057-00	METAL CHIP	2.2K 5% 1/10W
R1254	1-216-057-00	METAL CHIP	2.2K 5% 1/10W
R1255	1-216-057-00	METAL CHIP	2.2K 5% 1/10W
R1256	1-216-057-00	METAL CHIP	2.2K 5% 1/10W
R1257	1-216-057-00	METAL CHIP	2.2K 5% 1/10W
R1258	1-216-057-00	METAL CHIP	2.2K 5% 1/10W
R1259	1-216-073-00	METAL CHIP	10K 5% 1/10W
R1260	1-216-065-91	RES,CHIP	4.7K 5% 1/10W
R1261	1-216-057-00	METAL CHIP	2.2K 5% 1/10W
R1262	1-216-057-00	METAL CHIP	2.2K 5% 1/10W
R1263	1-216-057-00	METAL CHIP	2.2K 5% 1/10W
R1264	1-216-057-00	METAL CHIP	2.2K 5% 1/10W
R1265	1-216-049-91	RES,CHIP	1K 5% 1/10W
R1266	1-216-049-91	RES,CHIP	1K 5% 1/10W
R1267	1-216-073-00	METAL CHIP	10K 5% 1/10W
R1268	1-216-073-00	METAL CHIP	10K 5% 1/10W
R1269	1-216-065-91	RES,CHIP	4.7K 5% 1/10W
R1270	1-216-025-91	RES,CHIP	100 5% 1/10W
R1271	1-216-073-00	METAL CHIP	10K 5% 1/10W
R1272	1-216-049-91	RES,CHIP	1K 5% 1/10W
R1273	1-216-073-00	METAL CHIP	10K 5% 1/10W
R1274	1-216-073-00	METAL CHIP	10K 5% 1/10W
R1275	1-216-025-91	RES,CHIP	100 5% 1/10W
R1276	1-216-025-91	RES,CHIP	100 5% 1/10W
R1277	1-216-025-91	RES,CHIP	100 5% 1/10W
R1278	1-216-025-91	RES,CHIP	100 5% 1/10W
R1279	1-216-025-91	RES,CHIP	100 5% 1/10W
R1280	1-216-025-91	RES,CHIP	100 5% 1/10W
R1281	1-216-295-91	SHORT	0
R1284	1-216-295-91	SHORT	0
R1285	1-216-073-00	METAL CHIP	10K 5% 1/10W
R1286	1-216-028-00	METAL CHIP	130 5% 1/10W
R1287	1-216-097-91	RES,CHIP	100K 5% 1/10W
R1301	1-216-065-91	RES,CHIP	4.7K 5% 1/10W
R1302	1-216-065-91	RES,CHIP	4.7K 5% 1/10W
R1303	1-216-065-91	RES,CHIP	4.7K 5% 1/10W
R1304	1-216-025-91	RES,CHIP	100 5% 1/10W
R1305	1-216-025-91	RES,CHIP	100 5% 1/10W
R1306	1-216-041-00	METAL CHIP	470 5% 1/10W
R1307	1-216-065-91	RES,CHIP	4.7K 5% 1/10W
R1308	1-216-061-00	METAL CHIP	3.3K 5% 1/10W
R1309	1-216-025-91	RES,CHIP	100 5% 1/10W
R1310	1-216-121-91	RES,CHIP	1M 5% 1/10W
R1311	1-216-061-00	METAL CHIP	3.3K 5% 1/10W
R1312	1-216-025-91	RES,CHIP	100 5% 1/10W
R1313	1-216-061-00	METAL CHIP	3.3K 5% 1/10W
R1314	1-216-295-91	SHORT	0
R1315	1-216-295-91	SHORT	0
R1316	1-216-295-91	SHORT	0
R1317	1-216-295-91	SHORT	0
R1318	1-216-295-91	SHORT	0
△ R1319	1-215-884-11	METAL OXIDE	47 5% 2W F
R1320	1-216-061-00	METAL CHIP	3.3K 5% 1/10W

Ref. No.	Part No.	Description	Remark
R1321	1-216-061-00	METAL CHIP	3.3K 5% 1/10W
R1322	1-216-061-00	METAL CHIP	3.3K 5% 1/10W
R1323	1-216-061-00	METAL CHIP	3.3K 5% 1/10W
R1324	1-216-061-00	METAL CHIP	3.3K 5% 1/10W
R1325	1-216-061-00	METAL CHIP	3.3K 5% 1/10W
R1326	1-216-061-00	METAL CHIP	3.3K 5% 1/10W
R1327	1-216-061-00	METAL CHIP	3.3K 5% 1/10W
R1328	1-216-061-00	METAL CHIP	3.3K 5% 1/10W
R1329	1-216-061-00	METAL CHIP	3.3K 5% 1/10W
R1330	1-216-061-00	METAL CHIP	3.3K 5% 1/10W
R1401	1-216-025-91	RES,CHIP	100 5% 1/10W
R1402	1-216-025-91	RES,CHIP	100 5% 1/10W
R1403	1-216-025-91	RES,CHIP	100 5% 1/10W
R1404	1-216-097-91	RES,CHIP	100K 5% 1/10W
R1405	1-216-025-91	RES,CHIP	100 5% 1/10W
R1406	1-216-073-00	METAL CHIP	10K 5% 1/10W
R1407	1-216-295-91	SHORT	0
R1408	1-216-025-91	RES,CHIP	100 5% 1/10W
R1409	1-216-025-91	RES,CHIP	100 5% 1/10W
R1410	1-216-295-91	SHORT	0
< VIBRATOR >			
X1101	1-567-970-11	VIBRATOR, CRYSTAL (24.576MHz)	
X1201	1-577-082-11	VIBRATOR, CERAMIC (4MHz)	
X1301	1-767-949-21	VIBRATOR, CERAMIC (49.152MHz)	
*****			
*	A-4414-097-A	DISPLAY BOARD, COMPLETE	*****
*	4-921-941-01	CUSHION (FL)	
*	4-990-797-01	HOLDER (FL)	
< CAPACITOR >			
C101	1-126-786-11	ELECT	47uF 20% 16V
C102	1-162-306-11	CERAMIC	0.01uF 20% 16V
C103	1-162-306-11	CERAMIC	0.01uF 20% 16V
C104	1-126-795-11	ELECT	10uF 20% 50V
C105	1-104-905-11	CAPACITOR	0.22F 5.5V
C106	1-164-159-11	CERAMIC	0.1uF 50V
C107	1-164-159-11	CERAMIC	0.1uF 50V
C108	1-164-159-11	CERAMIC	0.1uF 50V
C109	1-164-159-11	CERAMIC	0.1uF 50V
C110	1-164-159-11	CERAMIC	0.1uF 50V
C111	1-164-159-11	CERAMIC	0.1uF 50V
C112	1-164-159-11	CERAMIC	0.1uF 50V
C115	1-164-159-11	CERAMIC	0.1uF 50V
C117	1-164-159-11	CERAMIC	0.1uF 50V
C119	1-126-786-11	ELECT	47uF 20% 16V
C121	1-126-786-11	ELECT	47uF 20% 16V
C123	1-164-159-11	CERAMIC	0.1uF 50V
C124	1-162-294-11	CERAMIC	1000PF 10% 50V
C180	1-164-159-11	CERAMIC	0.1uF 50V
C181	1-136-177-00	CERAMIC	0.1uF 5% 50V
C182	1-164-159-11	CERAMIC	0.1uF 50V
C183	1-126-916-11	ELECT	1000uF 20% 6.3V
C184	1-126-795-11	ELECT	10uF 20% 50V

The components identified by mark △ or dotted line with mark △ are critical for safety. Replace only with part number specified.

Ref. No.	Part No.	Description	Remark	Ref. No.	Part No.	Description	Remark
C185	1-162-306-11	CERAMIC	0.01uF 20% 16V			< TRANSISTOR >	
C186	1-162-306-11	CERAMIC	0.01uF 20% 16V				
C191	1-164-159-11	CERAMIC	0.1uF 50V				
C192	1-107-818-11	ELECT	1uF 5.5V				
		< CONNECTOR >					
CNP105	1-564-510-11	PLUG, CONNECTOR 7P		Q101	8-729-119-76	TRANSISTOR 2SA1175-HFE	
CNP109	1-784-919-11	CONNECTOR, PC BOARD (PLUG) 5P		Q102	8-729-900-36	TRANSISTOR DTC124ES	
CNP110	1-784-919-11	CONNECTOR, PC BOARD (PLUG) 5P		Q103	8-729-900-36	TRANSISTOR DTC124ES	
CNS102	1-770-553-11	CONNECTOR, BOARD TO BOARD 11P		Q104	8-729-900-36	TRANSISTOR DTC124ES	
CNS103	1-784-772-11	CONNECTOR, FFC 11P		Q105	8-729-900-36	TRANSISTOR DTC124ES	
CNS104	1-784-743-11	CONNECTOR, FFC 21P		Q106	8-729-900-36	TRANSISTOR DTC124ES	
CNS107	1-770-397-11	HOUSING, CONNECTOR(PC BOARD)4P		Q107	8-729-900-36	TRANSISTOR DTC124ES	
CNS108	1-770-553-11	CONNECTOR, BOARD TO BOARD 11P		Q108	8-729-900-36	TRANSISTOR DTC124ES	
		< DIODE >		Q109	8-729-900-36	TRANSISTOR DTC124ES	
D102	8-719-024-99	DIODE 11ES2-NTA2B		Q110	8-729-900-36	TRANSISTOR DTC124ES	
D103	8-719-911-19	DIODE 1SS119		Q111	8-729-900-36	TRANSISTOR DTC124ES	
D108	8-719-046-39	DIODE SEL5821A-TH15 (SOUND FIELD)		Q112	8-729-900-36	TRANSISTOR DTC124ES	
D109	8-719-313-45	DIODE SEL6810A-TH10 (VIDEO1)		Q113	8-729-900-36	TRANSISTOR DTC124ES	
D110	8-719-313-45	DIODE SEL6810A-TH10 (VIDEO2)		Q114	8-729-900-36	TRANSISTOR DTC124ES	
D111	8-719-313-45	DIODE SEL6810A-TH10 (VIDEO3)		Q115	8-729-900-36	TRANSISTOR DTC124ES	
D112	8-719-313-45	DIODE SEL6810A-TH10 (DVD)		Q116	8-729-900-36	TRANSISTOR DTC124ES	
D113	8-719-313-45	DIODE SEL6810A-TH10 (TV/LD)		Q117	8-729-900-36	TRANSISTOR DTC124ES	
D114	8-719-313-45	DIODE SEL6810A-TH10 (TAPE)		Q118	8-729-900-36	TRANSISTOR DTC124ES	
D115	8-719-313-45	DIODE SEL6810A-TH10 (MD/DAT)		Q119	8-729-900-36	TRANSISTOR DTC124ES	
D116	8-719-313-45	DIODE SEL6810A-TH10 (CD)		Q120	8-729-900-36	TRANSISTOR DTC124ES	
D117	8-719-313-45	DIODE SEL6810A-TH10 (TUNER)		Q122	8-729-900-36	TRANSISTOR DTC124ES	
D118	8-719-313-45	DIODE SEL6810A-TH10 (PHONO)		Q180	8-729-620-05	TRANSISTOR 2SC2603-EF	
D119	8-719-046-39	DIODE SEL5821A-TH15 (BASS BOOST)		Q181	8-729-900-36	TRANSISTOR DTC124ES	
D122	8-719-046-39	DIODE SEL5821A-TH15 (EQ)		Q182	8-729-620-05	TRANSISTOR 2SC2603-EF	
D180	8-719-911-19	DIODE 1SS119		Q184	8-729-801-93	TRANSISTOR 2SD1387	
D181	8-719-911-19	DIODE 1SS119		Q185	8-729-801-93	TRANSISTOR 2SD1387	
D182	8-719-911-19	DIODE 1SS119				< RESISTOR >	
D183	8-719-911-19	DIODE 1SS119		R103	1-249-437-11	CARBON 47K 5% 1/4W	
D184	8-719-059-14	DIODE SID313BP-TP19		R104	1-249-429-11	CARBON 10K 5% 1/4W	
D185	8-719-059-14	DIODE SID313BP-TP19		R105	1-249-393-11	CARBON 10 5% 1/4W F	
D186	8-719-059-14	DIODE SID313BP-TP19		R106	1-249-437-11	CARBON 47K 5% 1/4W F	
		< FLUORESCENT INDICATOR >		R107	1-249-433-11	CARBON 22K 5% 1/4W	
FL101	1-517-781-11	INDICATOR TUBE, FLUORESCENT		R108	1-249-441-11	CARBON 100K 5% 1/4W	
		< IC >		R109	1-249-441-11	CARBON 100K 5% 1/4W	
IC101	8-759-459-83	IC NJL55H400A		R111	1-247-772-00	CARBON 3.6 5% 1/4W	
IC102	8-759-535-50	IC MB90553PF-G-121-BND		R114	1-249-419-11	CARBON 1.5K 5% 1/4W F	
IC103	8-759-962-08	IC BA6208		R115	1-249-385-11	CARBON 2.2 5% 1/6W F	
IC104	8-759-463-11	IC MSC1162AGS-BK		R116	1-249-429-11	CARBON 10K 5% 1/4W	
IC105	8-759-389-51	IC MSC1164GS-KR1		R117	1-249-433-11	CARBON 22K 5% 1/4W	
IC180	8-759-927-72	IC TL1591CP		R118	1-249-433-11	CARBON 22K 5% 1/4W	
IC181	8-759-545-07	IC TMP87C447U-4A06		R119	1-249-417-11	CARBON 1K 5% 1/4W F	
		< COIL >		R120	1-249-417-11	CARBON 1K 5% 1/4W F	
L101	1-410-509-11	INDUCTOR 10uH		R121	1-249-417-11	CARBON 1K 5% 1/4W F	
L150	1-408-080-00	INDUCTOR 100uH		R122	1-249-429-11	CARBON 10K 5% 1/4W	
				R123	1-249-417-11	CARBON 1K 5% 1/4W F	
				R125	1-249-425-11	CARBON 4.7K 5% 1/4W F	
				R126	1-249-425-11	CARBON 4.7K 5% 1/4W F	
				R127	1-249-425-11	CARBON 4.7K 5% 1/4W F	
				R128	1-249-425-11	CARBON 4.7K 5% 1/4W F	
				R129	1-249-417-11	CARBON 1K 5% 1/4W F	
				R130	1-249-425-11	CARBON 4.7K 5% 1/4W F	
				R131	1-249-425-11	CARBON 4.7K 5% 1/4W F	
				R132	1-249-425-11	CARBON 4.7K 5% 1/4W F	
				R133	1-249-411-11	CARBON 330 5% 1/4W	

<b>DISPLAY</b>	<b>F-VIDEO</b>	<b>H.P</b>	<b>INPUT</b>
----------------	----------------	------------	--------------

Ref. No.	Part No.	Description	Remark
R134	1-249-411-11	CARBON	330 5% 1/4W
R135	1-249-411-11	CARBON	330 5% 1/4W
R161	1-249-385-11	CARBON	2.2 5% 1/6W F
R162	1-249-421-11	CARBON	2.2K 5% 1/4W F
R163	1-249-421-11	CARBON	2.2K 5% 1/4W F
R164	1-249-411-11	CARBON	330 5% 1/4W
R165	1-249-429-11	CARBON	10K 5% 1/4W
R179	1-249-411-11	CARBON	330 5% 1/4W
R180	1-249-393-11	CARBON	10 5% 1/4W F
R181	1-249-429-11	CARBON	10K 5% 1/4W
R182	1-249-425-11	CARBON	4.7K 5% 1/4W F
R183	1-249-429-11	CARBON	10K 5% 1/4W
R184	1-249-429-11	CARBON	10K 5% 1/4W
R185	1-249-425-11	CARBON	4.7K 5% 1/4W F
R186	1-249-429-11	CARBON	10K 5% 1/4W
R187	1-249-417-11	CARBON	1K 5% 1/4W F
R188	1-249-429-11	CARBON	10K 5% 1/4W
R189	1-247-772-00	CARBON	3.6 5% 1/4W
R190	1-249-441-11	CARBON	100K 5% 1/4W
R191	1-247-807-31	CARBON	100 5% 1/4W
R192	1-249-383-11	CARBON	1.5 5% 1/6W F
R193	1-247-807-31	CARBON	100 5% 1/4W
R194	1-247-807-31	CARBON	100 5% 1/4W
R195	1-247-807-31	CARBON	100 5% 1/4W
R196	1-247-807-31	CARBON	100 5% 1/4W
R197	1-249-441-11	CARBON	100K 5% 1/4W
R198	1-249-429-11	CARBON	10K 5% 1/4W
R199	1-249-429-11	CARBON	10K 5% 1/4W
RR24	1-249-429-11	CARBON	10K 5% 1/4W
< VIBRATOR >			
X101	1-577-082-11	VIBRATOR, CERAMIC (4MHz)	
X180	1-767-938-21	VIBRATOR, CERAMIC (7.28MHz)	
*****			
*	1-670-021-11	F-VIDEO BOARD	
*****			
< CAPACITOR >			
C299	1-164-159-11	CERAMIC	0.1uF 50V
CC14	1-162-282-31	CERAMIC	100PF 10% 50V
CC64	1-162-282-31	CERAMIC	100PF 10% 50V
< CONNECTOR >			
CNP307	1-564-723-11	PIN, CONNECTOR (SMALL TYPE) 7P	
< GROUND TERMINAL >			
* EB201	1-537-738-21	TERMINAL, EARTH	
< JACK >			
J298	1-784-808-11	TERMINAL, S (VIDEO 3 INPUT S-VIDEO)	
J299	1-779-798-11	JACK, PIN (BLOCK) (L TYPE) 3P (VIDEO 3 INPUT AUDIO/VIDEO)	

Ref. No.	Part No.	Description	Remark
< RESISTOR >			
R297	1-247-804-11	CARBON	75 5% 1/4W
R298	1-247-804-11	CARBON	75 5% 1/4W
R299	1-247-804-11	CARBON	75 5% 1/4W
R321	1-249-417-11	CARBON	1K 5% 1/4W F
R371	1-249-417-11	CARBON	1K 5% 1/4W F
*****			
*	1-670-006-11	H.P BOARD	
*****			
< JACK >			
J701	1-568-519-41	JACK, LARGE TYPE (PHONES)	
*****			
*	A-4414-095-A	INPUT BOARD, COMPLETE	
*****			
< CAPACITOR >			
C301	1-126-045-11	ELECT	2.2uF 20% 50V
C303	1-126-101-11	ELECT	100uF 20% 16V
C304	1-125-896-91	MYLAR	0.0091uF 5% 50V
C305	1-136-159-00	FILM	0.033uF 5% 50V
C306	1-126-045-11	ELECT	2.2uF 20% 50V
C307	1-162-282-31	CERAMIC	100PF 10% 50V
C308	1-162-286-31	CERAMIC	220PF 10% 50V
C310	1-162-294-31	CERAMIC	0.001uF 10% 50V
C311	1-126-233-11	ELECT	22uF 20% 50V
C351	1-126-045-11	ELECT	2.2uF 20% 50V
C353	1-126-101-11	ELECT	100uF 20% 16V
C354	1-125-896-91	MYLAR	0.0091uF 5% 50V
C355	1-136-159-00	FILM	0.033uF 5% 50V
C356	1-126-045-11	ELECT	2.2uF 20% 50V
C357	1-162-282-31	CERAMIC	100PF 10% 50V
C358	1-162-286-31	CERAMIC	220PF 10% 50V
C360	1-162-294-31	CERAMIC	0.001uF 10% 50V
C361	1-126-233-11	ELECT	22uF 20% 50V
C387	1-126-022-11	ELECT	47uF 20% 16V
C388	1-126-052-11	ELECT	100uF 20% 16V
C389	1-126-052-11	ELECT	100uF 20% 16V
C392	1-126-022-11	ELECT	47uF 20% 16V
C393	1-162-294-31	CERAMIC	0.001uF 10% 50V
C394	1-126-022-11	ELECT	47uF 20% 16V
C395	1-162-282-31	CERAMIC	100PF 10% 50V
C396	1-126-022-11	ELECT	47uF 20% 16V
C398	1-162-294-31	CERAMIC	0.001uF 10% 50V
C399	1-162-282-31	CERAMIC	100PF 10% 50V
C401	1-126-233-11	ELECT	22uF 20% 50V
C402	1-126-233-11	ELECT	22uF 20% 50V
C403	1-126-233-11	ELECT	22uF 20% 50V
C404	1-162-199-31	CERAMIC	10PF 5% 50V
C405	1-162-199-31	CERAMIC	10PF 5% 50V
C406	1-162-199-31	CERAMIC	10PF 5% 50V
C407	1-126-233-11	ELECT	22uF 20% 50V
C408	1-126-233-11	ELECT	22uF 20% 50V
C409	1-126-233-11	ELECT	22uF 20% 50V

# INPUT

Ref. No.	Part No.	Description	Remark	Ref. No.	Part No.	Description	Remark
C416	1-126-233-11	ELECT	22uF 20% 50V	C754	1-102-230-00	CERAMIC 4PF 0.25PF 500V	
C417	1-126-233-11	ELECT	22uF 20% 50V				
C418	1-126-233-11	ELECT	22uF 20% 50V	C755	1-126-101-11	ELECT 100uF 20% 16V	
				C780	1-162-282-31	CERAMIC 100PF 10% 50V	
C419	1-162-282-31	CERAMIC	100PF 10% 50V	C789	1-162-282-31	CERAMIC 100PF 10% 50V	
C451	1-126-233-11	ELECT	22uF 20% 50V	CC04	1-162-282-31	CERAMIC 100PF 10% 50V	
C452	1-126-233-11	ELECT	22uF 20% 50V	CC05	1-162-282-31	CERAMIC 100PF 10% 50V	
C453	1-126-233-11	ELECT	22uF 20% 50V				
C454	1-162-199-31	CERAMIC	10PF 5% 50V	CC06	1-162-282-31	CERAMIC 100PF 10% 50V	
				CC07	1-162-282-31	CERAMIC 100PF 10% 50V	
C455	1-162-199-31	CERAMIC	10PF 5% 50V	CC08	1-162-282-31	CERAMIC 100PF 10% 50V	
C456	1-162-199-31	CERAMIC	10PF 5% 50V	CC54	1-162-282-31	CERAMIC 100PF 10% 50V	
C457	1-126-233-11	ELECT	22uF 20% 50V	CC55	1-162-282-31	CERAMIC 100PF 10% 50V	
C458	1-126-233-11	ELECT	22uF 20% 50V				
C459	1-126-233-11	ELECT	22uF 20% 50V	CC56	1-162-282-31	CERAMIC 100PF 10% 50V	
				CC57	1-162-282-31	CERAMIC 100PF 10% 50V	
C466	1-126-233-11	ELECT	22uF 20% 50V	CC58	1-162-282-31	CERAMIC 100PF 10% 50V	
C467	1-126-233-11	ELECT	22uF 20% 50V			< CONNECTOR >	
C468	1-126-233-11	ELECT	22uF 20% 50V				
C491	1-164-159-11	CERAMIC	0.1uF 50V	CNS301	1-784-768-11	CONNECTOR, FFC 7P	
C496	1-126-052-11	ELECT	100uF 20% 16V	CNS303	1-779-977-11	PIN, CONNECTOR 6P	
				CNS304	1-784-923-11	PIN, CONNECTOR 7P	
C497	1-126-052-11	ELECT	100uF 20% 16V	CNS305	1-779-978-11	PIN, CONNECTOR 3P	
C498	1-126-022-11	ELECT	47uF 20% 16V	CNS306	1-784-790-11	CONNECTOR, FFC 29P	
C499	1-126-022-11	ELECT	47uF 20% 16V				
C501	1-126-233-11	ELECT	22uF 20% 50V	CNS403	1-691-765-11	PLUG (MICRO CONNECTOR) 3P	
C502	1-162-282-31	CERAMIC	100PF 10% 50V	CNS404	1-691-765-11	PLUG (MICRO CONNECTOR) 3P	
				CNS501	1-784-806-11	HOUSING,CONNECTOR(PC BOARD)13P	
C503	1-102-233-00	CERAMIC	33PF 10% 500V	CNS702	1-779-977-11	PIN, CONNECTOR 6P	
C504	1-102-230-00	CERAMIC	4PF 0.25PF 500V			< DIODE >	
C539	1-162-282-31	CERAMIC	100PF 10% 50V				
C551	1-126-233-11	ELECT	22uF 20% 50V	D301	8-719-911-19	DIODE 1SS119	
C552	1-162-282-31	CERAMIC	100PF 10% 50V			< IC >	
C553	1-102-233-00	CERAMIC	33PF 10% 500V	IC301	8-759-805-14	IC LC7822	
C554	1-102-230-00	CERAMIC	4PF 0.25PF 500V	IC302	8-759-636-74	IC M5218AP-22	
C555	1-126-101-11	ELECT	100uF 20% 16V	IC303	8-759-805-15	IC LC7823	
C580	1-162-282-31	CERAMIC	100PF 10% 50V	IC304	8-759-634-50	IC M5218AL	
C589	1-162-282-31	CERAMIC	100PF 10% 50V	IC401	8-759-604-40	IC M5F78M15	
C593	1-126-101-11	ELECT	100uF 20% 16V	IC402	8-759-604-46	IC M5F79M15	
C594	1-126-074-91	ELECT	22uF 20% 100V	IC403	8-759-604-39	IC M5F78M12	
C595	1-126-074-91	ELECT	22uF 20% 100V	IC404	8-759-708-05	IC NJM78L05A	
C601	1-126-233-11	ELECT	22uF 20% 50V	IC405	8-759-634-50	IC M5218AL	
C602	1-162-282-31	CERAMIC	100PF 10% 50V	IC406	8-759-634-50	IC M5218AL	
C603	1-102-233-00	CERAMIC	33PF 10% 500V	IC407	8-759-634-50	IC M5218AL	
C604	1-102-230-00	CERAMIC	4PF 0.25PF 500V	IC414	8-759-534-63	IC TC9299P	
C605	1-126-101-11	ELECT	100uF 20% 16V	IC415	8-759-534-63	IC TC9299P	
C639	1-162-282-31	CERAMIC	100PF 10% 50V	IC416	8-759-534-63	IC TC9299P	
C651	1-126-233-11	ELECT	22uF 20% 50V	IC501	8-759-326-52	IC uPC2581V	
C652	1-162-282-31	CERAMIC	100PF 10% 50V	IC601	8-759-326-52	IC uPC2581V	
C653	1-102-233-00	CERAMIC	33PF 10% 500V	IC701	8-759-326-52	IC uPC2581V	
C654	1-102-230-00	CERAMIC	4PF 0.25PF 500V			< JACK >	
C655	1-126-101-11	ELECT	100uF 20% 16V				
C689	1-162-282-31	CERAMIC	100PF 10% 50V	J301	1-784-429-11	JACK, PIN 4P (PHONO IN/CD IN)	
				J302	1-784-429-11	JACK, PIN 4P (MD/DAT REC OUT/IN)	
C701	1-126-233-11	ELECT	22uF 20% 50V	J303	1-784-429-11	JACK, PIN 4P (TAPE REC OUT/IN)	
C702	1-162-282-31	CERAMIC	100PF 10% 50V			< TRANSISTOR >	
C703	1-102-233-00	CERAMIC	33PF 10% 500V				
C704	1-102-230-00	CERAMIC	4PF 0.25PF 500V	Q301	8-729-119-79	TRANSISTOR 2SC2785-FEK	
C705	1-126-101-11	ELECT	100uF 20% 16V				
C739	1-162-282-31	CERAMIC	100PF 10% 50V				
C751	1-126-233-11	ELECT	22uF 20% 50V				
C752	1-162-282-31	CERAMIC	100PF 10% 50V				
C753	1-102-233-00	CERAMIC	33PF 10% 500V				

# INPUT

Ref. No.	Part No.	Description	Remark	Ref. No.	Part No.	Description	Remark
Q302	8-729-141-30	TRANSISTOR 2SC3623A-LK		R388	1-249-417-11	CARBON 1K 5%	1/4W F
Q303	8-729-141-30	TRANSISTOR 2SC3623A-LK		R389	1-249-417-11	CARBON 1K 5%	1/4W F
Q304	8-729-141-30	TRANSISTOR 2SC3623A-LK		R390	1-249-417-11	CARBON 1K 5%	1/4W F
Q352	8-729-141-30	TRANSISTOR 2SC3623A-LK					
Q353	8-729-141-30	TRANSISTOR 2SC3623A-LK		R391	1-249-417-11	CARBON 1K 5%	1/4W F
Q354	8-729-141-30	TRANSISTOR 2SC3623A-LK		R392	1-249-417-11	CARBON 1K 5%	1/4W F
Q501	8-729-900-36	TRANSISTOR DTC124ES		R393	1-249-417-11	CARBON 1K 5%	1/4W F
Q503	8-729-900-63	TRANSISTOR DTA124ES		R394	1-249-417-11	CARBON 1K 5%	1/4W F
		< RESISTOR >		R395	1-249-397-11	CARBON 22 5%	1/4W F
R301	1-249-401-11	CARBON 47 5%	1/4W F	R396	1-249-417-11	CARBON 1K 5%	1/4W F
R302	1-249-441-11	CARBON 100K 5%	1/4W	R397	1-249-425-11	CARBON 4.7K 5%	1/4W F
R303	1-249-440-11	CARBON 82K 5%	1/4W	R398	1-249-397-11	CARBON 22 5%	1/4W F
R304	1-249-408-11	CARBON 180 5%	1/4W F	R399	1-249-425-11	CARBON 4.7K 5%	1/4W F
R305	1-249-428-11	CARBON 8.2K 5%	1/4W F	R401	1-249-441-11	CARBON 100K 5%	1/4W
R306	1-249-441-11	CARBON 100K 5%	1/4W	R402	1-249-441-11	CARBON 100K 5%	1/4W
R307	1-247-807-31	CARBON 100 5%	1/4W	R403	1-249-441-11	CARBON 100K 5%	1/4W
R308	1-249-441-11	CARBON 100K 5%	1/4W	R404	1-249-431-11	CARBON 15K 5%	1/4W
R309	1-249-413-11	CARBON 470 5%	1/4W F	R405	1-249-431-11	CARBON 15K 5%	1/4W
R310	1-249-417-11	CARBON 1K 5%	1/4W F	R406	1-249-431-11	CARBON 15K 5%	1/4W
R311	1-249-417-11	CARBON 1K 5%	1/4W F	R407	1-249-437-11	CARBON 47K 5%	1/4W
R312	1-249-417-11	CARBON 1K 5%	1/4W F	R408	1-249-437-11	CARBON 47K 5%	1/4W
R313	1-249-417-11	CARBON 1K 5%	1/4W F	R409	1-249-437-11	CARBON 47K 5%	1/4W
R314	1-249-417-11	CARBON 1K 5%	1/4W F	R451	1-249-441-11	CARBON 100K 5%	1/4W
R315	1-249-437-11	CARBON 47K 5%	1/4W	R452	1-249-441-11	CARBON 100K 5%	1/4W
R331	1-249-441-11	CARBON 100K 5%	1/4W	R453	1-249-441-11	CARBON 100K 5%	1/4W
R335	1-249-437-11	CARBON 47K 5%	1/4W	R454	1-249-431-11	CARBON 15K 5%	1/4W
R336	1-249-425-11	CARBON 4.7K 5%	1/4W F	R455	1-249-431-11	CARBON 15K 5%	1/4W
R337	1-249-441-11	CARBON 100K 5%	1/4W	R456	1-249-434-11	CARBON 27K 5%	1/4W
R338	1-249-417-11	CARBON 1K 5%	1/4W F	R457	1-249-437-11	CARBON 47K 5%	1/4W
R339	1-249-417-11	CARBON 1K 5%	1/4W F	R458	1-249-437-11	CARBON 47K 5%	1/4W
R340	1-249-417-11	CARBON 1K 5%	1/4W F	R459	1-249-437-11	CARBON 47K 5%	1/4W
R341	1-249-417-11	CARBON 1K 5%	1/4W F	R501	1-249-417-11	CARBON 1K 5%	1/4W F
R342	1-249-417-11	CARBON 1K 5%	1/4W F	R502	1-249-439-11	CARBON 68K 5%	1/4W
R343	1-249-417-11	CARBON 1K 5%	1/4W F	R503	1-249-439-11	CARBON 68K 5%	1/4W
R344	1-247-807-31	CARBON 100 5%	1/4W	R504	1-247-843-11	CARBON 3.3K 5%	1/4W
R345	1-247-807-31	CARBON 100 5%	1/4W	R551	1-249-417-11	CARBON 1K 5%	1/4W F
R346	1-249-397-11	CARBON 22 5%	1/4W F	R552	1-249-439-11	CARBON 68K 5%	1/4W
R347	1-249-397-11	CARBON 22 5%	1/4W F	R553	1-249-439-11	CARBON 68K 5%	1/4W
R351	1-249-401-11	CARBON 47 5%	1/4W F	R554	1-247-843-11	CARBON 3.3K 5%	1/4W
R352	1-249-441-11	CARBON 100K 5%	1/4W	R590	1-249-433-11	CARBON 22K 5%	1/4W
R353	1-249-440-11	CARBON 82K 5%	1/4W	△R592	1-249-381-11	CARBON 1 5%	1/4W F
R354	1-249-408-11	CARBON 180 5%	1/4W F	△R593	1-249-381-11	CARBON 1 5%	1/4W F
R355	1-249-428-11	CARBON 8.2K 5%	1/4W F	R594	1-249-425-11	CARBON 4.7K 5%	1/4W F
R356	1-249-441-11	CARBON 100K 5%	1/4W	R601	1-249-417-11	CARBON 1K 5%	1/4W F
R357	1-247-807-31	CARBON 100 5%	1/4W	R602	1-249-439-11	CARBON 68K 5%	1/4W
R358	1-249-441-11	CARBON 100K 5%	1/4W	R603	1-249-439-11	CARBON 68K 5%	1/4W
R359	1-249-413-11	CARBON 470 5%	1/4W F	R604	1-247-843-11	CARBON 3.3K 5%	1/4W
R360	1-249-417-11	CARBON 1K 5%	1/4W F	R651	1-249-417-11	CARBON 1K 5%	1/4W F
R361	1-249-417-11	CARBON 1K 5%	1/4W F	R652	1-249-439-11	CARBON 68K 5%	1/4W
R362	1-249-417-11	CARBON 1K 5%	1/4W F	R653	1-249-439-11	CARBON 68K 5%	1/4W
R363	1-249-417-11	CARBON 1K 5%	1/4W F	R654	1-247-843-11	CARBON 3.3K 5%	1/4W
R364	1-249-417-11	CARBON 1K 5%	1/4W F	R655	1-249-409-11	CARBON 220 5%	1/4W F
R365	1-249-437-11	CARBON 47K 5%	1/4W	R656	1-249-409-11	CARBON 220 5%	1/4W F
R381	1-249-441-11	CARBON 100K 5%	1/4W	R690	1-249-433-11	CARBON 22K 5%	1/4W
R385	1-249-437-11	CARBON 47K 5%	1/4W	R701	1-249-417-11	CARBON 1K 5%	1/4W F
R387	1-249-410-11	CARBON 270 5%	1/4W F	R702	1-249-439-11	CARBON 68K 5%	1/4W
				R703	1-249-439-11	CARBON 68K 5%	1/4W
				R704	1-247-843-11	CARBON 3.3K 5%	1/4W

The components identified by mark △ or dotted line with mark △ are critical for safety.  
Replace only with part number specified.



INPUT	JOINT	LED	REAR AMP	REG
-------	-------	-----	----------	-----

Ref. No.	Part No.	Description				Remark	Ref. No.	Part No.	Description				Remark
R751	1-249-417-11	CARBON	1K	5%	1/4W	F	< TRANSISTOR >						
R752	1-249-439-11	CARBON	68K	5%	1/4W		Q704	8-729-119-76	TRANSISTOR	2SA1175-HFE			
R753	1-249-439-11	CARBON	68K	5%	1/4W		Q708	8-729-140-82	TRANSISTOR	2SA988-PAFAEA			
R754	1-247-843-11	CARBON	3.3K	5%	1/4W		Q754	8-729-119-76	TRANSISTOR	2SA1175-HFE			
R790	1-249-433-11	CARBON	22K	5%	1/4W		Q758	8-729-140-82	TRANSISTOR	2SA988-PAFAEA			
< RELAY >							< RESISTOR >						
RY301	1-515-614-11	RELAY					R702	1-247-881-00	CARBON	120K	5%	1/4W	
*****							R721	1-249-433-11	CARBON	22K	5%	1/4W	
*	1-670-032-11	JOINT BOARD					R722	1-249-422-11	CARBON	2.7K	5%	1/4W	F
		*****					R723	1-249-414-11	CARBON	560	5%	1/4W	F
		< CONNECTOR >					△R724	1-249-408-11	CARBON	180	5%	1/4W	F
CNP501	1-784-807-11	CONNECTOR, BOARD TO BOARD 13P					△R725	1-249-408-11	CARBON	180	5%	1/4W	F
CNP651	1-784-807-11	CONNECTOR, BOARD TO BOARD 13P					△R726	1-233-352-41	ENCAPSULATED	COMPONENT			
*****							R727	1-247-850-11	CARBON	6.2K	5%	1/4W	
*	1-670-024-11	LED BOARD					R728	1-249-419-11	CARBON	1.5K	5%	1/4W	F
		*****					R732	1-249-437-11	CARBON	47K	5%	1/4W	
		< DIODE >					△R733	1-249-393-11	CARBON	10	5%	1/4W	F
D100	8-719-070-83	DIODE SELU5E20C-TP15 (MULTI CHANNEL DECODING)					R752	1-247-881-00	CARBON	120K	5%	1/4W	
*****							R771	1-249-433-11	CARBON	22K	5%	1/4W	
*	A-4414-112-A	REAR AMP BOARD, COMPLETE					R772	1-249-422-11	CARBON	2.7K	5%	1/4W	F
		*****					R773	1-249-414-11	CARBON	560	5%	1/4W	F
		< CAPACITOR >					△R774	1-249-408-11	CARBON	180	5%	1/4W	F
C720	1-126-022-11	ELECT	47uF	20%	16V		△R775	1-249-408-11	CARBON	180	5%	1/4W	F
C721	1-107-597-11	CERAMIC	22PF	10%	500V		△R776	1-233-352-41	ENCAPSULATED	COMPONENT			
C722	1-107-597-11	CERAMIC	22PF	10%	500V		R777	1-247-850-11	CARBON	6.2K	5%	1/4W	
C723	1-162-286-31	CERAMIC	220PF	10%	50V		R778	1-249-419-11	CARBON	1.5K	5%	1/4W	F
C725	1-136-157-00	FILM	0.022uF	5%	50V		*****						
C770	1-126-022-11	ELECT	47uF	20%	16V		R782	1-249-437-11	CARBON	47K	5%	1/4W	
C771	1-107-597-11	CERAMIC	22PF	10%	500V		△R783	1-249-393-11	CARBON	10	5%	1/4W	F
C772	1-107-597-11	CERAMIC	22PF	10%	500V		*****						
C773	1-162-286-31	CERAMIC	220PF	10%	50V		*	A-4414-109-A	REG BOARD, COMPLETE				
C775	1-136-157-00	FILM	0.022uF	5%	50V				*****				
		< CONNECTOR >					7-685-872-09	SCREW +BVTT 3X8 (S)					
* CNP701	1-564-241-11	PIN, CONNECTOR (B4P-VH) 4P					< CAPACITOR >						
CNP711	1-779-977-11	PIN, CONNECTOR 6P					C819	1-136-165-00	FILM	0.1uF	5%	50V	
* CNP712	1-564-242-00	PIN, CONNECTOR 5P					C820	1-136-165-00	FILM	0.1uF	5%	50V	
CNP713	1-691-765-11	PLUG (MICRO CONNECTOR) 3P					C821	1-136-165-00	FILM	0.1uF	5%	50V	
		< DIODE >					C822	1-136-165-00	FILM	0.1uF	5%	50V	
D701	8-719-911-19	DIODE 1SS119					C823	1-136-165-00	FILM	0.1uF	5%	50V	
D702	8-719-109-51	DIODE RD2.0ES-B2					C824	1-126-937-11	ELECT	4700uF	20%	16V	
D703	8-719-109-51	DIODE RD2.0ES-B2					C825	1-126-935-11	ELECT	470uF	20%	16V	
D704	8-719-911-19	DIODE 1SS119					C826	1-126-935-11	ELECT	470uF	20%	16V	
D751	8-719-911-19	DIODE 1SS119					C827	1-126-935-11	ELECT	470uF	20%	16V	
D752	8-719-109-51	DIODE RD2.0ES-B2					C901	1-164-097-11	CERAMIC	0.022uF		50V	
D753	8-719-109-51	DIODE RD2.0ES-B2					C902	1-164-097-11	CERAMIC	0.022uF		50V	
D754	8-719-911-19	DIODE 1SS119					C903	1-126-768-11	ELECT	2200uF	20%	16V	
							C904	1-126-960-11	ELECT	1uF	20%	50V	
							C905	1-126-959-11	ELECT	0.47uF	20%	50V	
							C906	1-124-464-11	ELECT	0.22uF	20%	50V	
							C911	1-164-159-11	CERAMIC	0.1uF		50V	
							C914	1-164-159-11	CERAMIC	0.1uF		50V	
							C916	1-164-159-11	CERAMIC	0.1uF		50V	
							C917	1-164-159-11	CERAMIC	0.1uF		50V	

The components identified by mark △ or dotted line with mark △ are critical for safety. Replace only with part number specified.

<b>REG</b>	<b>ROTARY</b>	<b>S-VIDEO</b>
------------	---------------	----------------

Ref. No.	Part No.	Description	Remark
< CONNECTOR >			
CNP803	1-564-320-00	PIN, CONNECTOR (B2P-VH) 2P	
CNP809	1-779-977-11	PIN, CONNECTOR 6P	
< DIODE >			
D808	8-719-025-03	DIODE RBA-402-SL	
D901	8-719-024-99	DIODE 11ES2-NTA2B	
D902	8-719-024-99	DIODE 11ES2-NTA2B	
D903	8-719-024-99	DIODE 11ES2-NTA2B	
D904	8-719-024-99	DIODE 11ES2-NTA2B	
D905	8-719-911-19	DIODE 1SS119	
D906	8-719-911-19	DIODE 1SS119	
< GROUND TERMINAL >			
* EB900	1-537-738-21	TERMINAL, EARTH	
< FUSE >			
△ F805	1-532-504-51	FUSE, TIME-LAG (4A/250V)	
< FUSE HOLDER >			
FH805	1-533-399-31	HOLDER, FUSE	
FH855	1-533-399-31	HOLDER, FUSE	
< IC >			
IC801	8-759-231-53	IC TA7805S	
IC802	8-759-445-59	IC BA033T	
IC803	8-759-445-59	IC BA033T	
IC901	8-759-333-83	IC NJM2103D	
< TRANSISTOR >			
Q901	8-729-119-79	TRANSISTOR 2SC2785-FEK	
Q902	8-729-026-68	TRANSISTOR 2SD2525(TP)	
< RESISTOR >			
R902	1-249-429-11	CARBON 10K 5% 1/4W	
R903	1-249-425-11	CARBON 4.7K 5% 1/4W F	
R904	1-249-417-11	CARBON 1K 5% 1/4W F	
R905	1-249-428-11	CARBON 8.2K 5% 1/4W F	
R906	1-249-421-11	CARBON 2.2K 5% 1/4W F	
R908	1-249-433-11	CARBON 22K 5% 1/4W	
R909	1-249-439-11	CARBON 68K 5% 1/4W	
R910	1-249-437-11	CARBON 47K 5% 1/4W	
R912	1-249-430-11	CARBON 12K 5% 1/4W	
*****			
* 1-670-023-11	ROTARY BOARD	*****	
< CONNECTOR >			
CNS101	1-770-404-11	HOUSING,CONNECTOR(PC BOARD)11P	
< DIODE >			
D101	8-719-313-45	DIODE SEL6810A-TH10	

Ref. No.	Part No.	Description	Remark
< RESISTOR >			
R101	1-249-411-11	CARBON 330 5% 1/4W	
R102	1-249-411-11	CARBON 330 5% 1/4W	
< VARIABLE RESISTOR >			
RV101	1-467-808-11	ENCODER, ROTARY (FUNCTION)	
< SWITCH >			
S101	1-762-751-11	SWITCH, TACTILE (MODE)	
S102	1-762-751-11	SWITCH, TACTILE (MUTING)	
*****			
* 1-670-004-11	S-VIDEO BOARD	*****	
< CAPACITOR >			
C251	1-136-165-00	FILM 0.1uF 5% 50V	
C252	1-136-165-00	FILM 0.1uF 5% 50V	
C253	1-126-964-11	ELECT 10uF 20% 50V	
C254	1-136-165-00	FILM 0.1uF 5% 50V	
C255	1-136-165-00	FILM 0.1uF 5% 50V	
C256	1-126-964-11	ELECT 10uF 20% 50V	
C257	1-136-165-00	FILM 0.1uF 5% 50V	
C258	1-126-964-11	ELECT 10uF 20% 50V	
C259	1-126-964-11	ELECT 10uF 20% 50V	
C260	1-136-165-00	FILM 0.1uF 5% 50V	
C261	1-104-664-11	ELECT 47uF 20% 16V	
C262	1-164-159-11	CERAMIC 0.1uF 50V	
C263	1-164-159-11	CERAMIC 0.1uF 50V	
C264	1-104-664-11	ELECT 47uF 20% 16V	
C265	1-164-159-11	CERAMIC 0.1uF 50V	
C266	1-164-159-11	CERAMIC 0.1uF 50V	
C267	1-162-290-31	CERAMIC 470PF 10% 50V	
C268	1-162-290-31	CERAMIC 470PF 10% 50V	
C269	1-162-290-31	CERAMIC 470PF 10% 50V	
C270	1-162-290-31	CERAMIC 470PF 10% 50V	
< CONNECTOR >			
CNS251	1-784-770-11	CONNECTOR, FFC 9P	
< DIODE >			
D251	8-719-911-19	DIODE 1SS119	
D252	8-719-911-19	DIODE 1SS119	
< IC >			
IC251	8-759-529-20	IC NJM2296D	
IC252	8-759-529-20	IC NJM2296D	
< JACK >			
J251	1-537-943-11	TERMINAL, S (MONITOR S-VIDEO OUT)	
J252	1-764-676-11	CONNECTOR (ROUND TYPE) (VIDEO1 S-VIDEO OUT/VIDEO1 S-VIDEO IN)	
J253	1-764-676-11	CONNECTOR (ROUND TYPE) (TV/LD S-VIDEO IN/DVD S-VIDEO IN)	

The components identified by mark △ or dotted line with mark △ are critical for safety.  
Replace only with part number specified.

Ref. No.	Part No.	Description	Remark
< RESISTOR >			
R251	1-247-804-11	CARBON 75 5%	1/4W
R252	1-249-429-11	CARBON 10K 5%	1/4W
R253	1-247-804-11	CARBON 75 5%	1/4W
R254	1-247-804-11	CARBON 75 5%	1/4W
R255	1-247-804-11	CARBON 75 5%	1/4W
R256	1-249-429-11	CARBON 10K 5%	1/4W
R257	1-247-804-11	CARBON 75 5%	1/4W
R258	1-247-804-11	CARBON 75 5%	1/4W
R259	1-247-804-11	CARBON 75 5%	1/4W
R260	1-247-804-11	CARBON 75 5%	1/4W
R261	1-247-804-11	CARBON 75 5%	1/4W
R262	1-247-804-11	CARBON 75 5%	1/4W
*****			
*	A-4414-113-A	SP-S BOARD, COMPLETE	
		*****	
	7-685-872-09	SCREW +BVTT 3X8 (S)	
< CAPACITOR >			
C624	1-126-059-11	ELECT 10uF 20%	50V
C626	1-136-153-00	FILM 0.01uF 5%	50V
C724	1-126-059-11	ELECT 10uF 20%	50V
C726	1-136-153-00	FILM 0.01uF 5%	50V
C794	1-126-059-11	ELECT 10uF 20%	50V
C795	1-126-941-11	ELECT 470uF 20%	25V
CC41	1-162-290-31	CERAMIC 470PF 10%	50V
CC42	1-162-290-31	CERAMIC 470PF 10%	50V
CC43	1-162-290-31	CERAMIC 470PF 10%	50V
< CONNECTOR >			
CNP601	1-564-320-00	PIN, CONNECTOR (B2P-VH) 2P	
CNP602	1-784-922-11	PIN, CONNECTOR 5P	
CNP603	1-779-977-11	PIN, CONNECTOR 6P	
< DIODE >			
D543	8-719-911-19	DIODE 1SS119	
D605	8-719-911-19	DIODE 1SS119	
D606	8-719-911-19	DIODE 1SS119	
D607	8-719-911-19	DIODE 1SS119	
D649	8-719-911-19	DIODE 1SS119	
D705	8-719-911-19	DIODE 1SS119	
D706	8-719-911-19	DIODE 1SS119	
D749	8-719-911-19	DIODE 1SS119	
< IC >			
IC702	8-759-605-01	IC M5F78M18L	
< JACK >			
J501	1-770-157-21	JACK, PIN 2P (WOOFER AUDIO OUT)	
< COIL >			
L601	1-411-906-11	COIL, AIR-CORE	
L701	1-411-906-11	COIL, AIR-CORE	
L751	1-411-906-11	COIL, AIR-CORE	

Ref. No.	Part No.	Description	Remark
< TRANSISTOR >			
Q544	8-729-119-79	TRANSISTOR 2SC2785-FEK	
Q609	8-729-281-53	TRANSISTOR 2SC1815-GR	
Q610	8-729-900-63	TRANSISTOR DTA124ES	
Q611	8-729-900-63	TRANSISTOR DTA124ES	
Q645	8-729-119-79	TRANSISTOR 2SC2785-FEK	
Q709	8-729-281-53	TRANSISTOR 2SC1815-GR	
Q710	8-729-900-63	TRANSISTOR DTA124ES	
Q745	8-729-119-79	TRANSISTOR 2SC2785-FEK	
Q747	8-729-620-05	TRANSISTOR 2SC2603-EF	
Q748	8-729-030-19	TRANSISTOR 2SB1640	
< RESISTOR >			
R543	1-249-429-11	CARBON 10K 5%	1/4W
R544	1-249-425-11	CARBON 4.7K 5%	1/4W F
R545	1-249-411-11	CARBON 330 5%	1/4W F
R629	1-247-866-11	CARBON 30K 5%	1/4W
R630	1-249-422-11	CARBON 2.7K 5%	1/4W F
R631	1-249-433-11	CARBON 22K 5%	1/4W
R634	1-249-389-11	CARBON 4.7 5%	1/4W F
R635	1-249-431-11	CARBON 15K 5%	1/4W
R636	1-249-433-11	CARBON 22K 5%	1/4W
R647	1-249-429-11	CARBON 10K 5%	1/4W
R648	1-249-425-11	CARBON 4.7K 5%	1/4W F
R649	1-249-407-91	CARBON 150 5%	1/4W F
R729	1-247-866-11	CARBON 30K 5%	1/4W
R730	1-249-422-11	CARBON 2.7K 5%	1/4W F
R731	1-249-433-11	CARBON 22K 5%	1/4W
R734	1-249-389-11	CARBON 4.7 5%	1/4W F
R735	1-249-431-11	CARBON 15K 5%	1/4W
R737	1-249-429-11	CARBON 10K 5%	1/4W
R738	1-247-887-00	CARBON 220K 5%	1/4W
R743	1-249-425-11	CARBON 4.7K 5%	1/4W F
R744	1-249-425-11	CARBON 4.7K 5%	1/4W F
R745	1-249-421-11	CARBON 2.2K 5%	1/4W F
R746	1-249-421-11	CARBON 2.2K 5%	1/4W F
R747	1-249-429-11	CARBON 10K 5%	1/4W
R748	1-249-425-11	CARBON 4.7K 5%	1/4W F
R749	1-249-407-91	CARBON 150 5%	1/4W F
R784	1-249-389-11	CARBON 4.7 5%	1/4W F
R787	1-249-429-11	CARBON 10K 5%	1/4W
R788	1-247-887-00	CARBON 220K 5%	1/4W
< RELAY >			
RY503	1-515-793-11	RELAY	
RY601	1-515-920-11	RELAY (24V)	
RY701	1-515-920-11	RELAY (24V)	
< SWITCH >			
S501	1-692-196-11	SWITCH, SLIDE (IMPEDANCE SELECTOR)	
< TERMINAL >			
TM701	1-694-431-21	TERMINAL BOARD (SP)(SPEAKERS)	

\*\*\*\*\*

SP SW

SW

TUNER

Ref. No.	Part No.	Description	Remark
*	1-670-018-11	SP SW BOARD *****	
		< CONNECTOR >	
CNS106	1-770-404-11	HOUSING,CONNECTOR(PC BOARD)11P	
		< DIODE >	
D120	8-719-911-19	DIODE 1SS119	
D121	8-719-911-19	DIODE 1SS119	
		< RESISTOR >	
R168	1-249-415-11	CARBON 680 5% 1/4W F	
R169	1-249-417-11	CARBON 1K 5% 1/4W F	
R170	1-249-419-11	CARBON 1.5K 5% 1/4W F	
R172	1-249-421-11	CARBON 2.2K 5% 1/4W F	
		< SWITCH >	
S105	1-762-751-11	SWITCH, TACTILE (SHIFT)	
S131	1-762-751-11	SWITCH, TACTILE (I/Ⓞ)	
S132	1-762-751-11	SWITCH, TACTILE (DISPLAY)	
S133	1-762-751-11	SWITCH, TACTILE (PRESET TUNING +)	
S134	1-762-268-11	SWITCH, ROTARY (SPEAKERS)	
S139	1-762-751-11	SWITCH, TACTILE (FM/AM)	
S146	1-762-751-11	SWITCH, TACTILE (PRESET TUNING -)	
*****			
*	1-670-017-11	SW BOARD *****	
		< CAPACITOR >	
C113	1-164-159-11	CERAMIC 0.1uF 50V	
C114	1-164-159-11	CERAMIC 0.1uF 50V	
C118	1-164-159-11	CERAMIC 0.1uF 50V	
		< DIODE >	
D104	8-719-046-39	DIODE SEL5821A-TH15	
D105	8-719-046-39	DIODE SEL5821A-TH15	
D106	8-719-046-39	DIODE SEL5821A-TH15	
		< RESISTOR >	
R124	1-249-411-11	CARBON 330 5% 1/4W	
R136	1-249-413-11	CARBON 470 5% 1/4W F	
R137	1-249-411-11	CARBON 330 5% 1/4W	
R140	1-249-415-11	CARBON 680 5% 1/4W F	
R144	1-249-417-11	CARBON 1K 5% 1/4W F	
R148	1-249-419-11	CARBON 1.5K 5% 1/4W F	
R152	1-249-421-11	CARBON 2.2K 5% 1/4W F	
R156	1-249-425-11	CARBON 4.7K 5% 1/4W F	
R166	1-249-411-11	CARBON 330 5% 1/4W	
R167	1-249-413-11	CARBON 470 5% 1/4W F	
R173	1-249-421-11	CARBON 2.2K 5% 1/4W F	
R174	1-249-419-11	CARBON 1.5K 5% 1/4W F	
R175	1-249-415-11	CARBON 680 5% 1/4W F	
R176	1-249-413-11	CARBON 470 5% 1/4W F	
R177	1-249-411-11	CARBON 330 5% 1/4W	
R178	1-249-417-11	CARBON 1K 5% 1/4W F	

Ref. No.	Part No.	Description	Remark
		< SWITCH >	
S103	1-762-751-11	SWITCH, TACTILE (INPUT MODE)	
S104	1-762-751-11	SWITCH, TACTILE (RDS-PTY)	
S107	1-762-751-11	SWITCH, TACTILE (5.1 INPUT)	
S108	1-762-751-11	SWITCH, TACTILE (RDS-EON)	
S111	1-762-751-11	SWITCH, TACTILE (EQ ON/OFF)	
S115	1-762-751-11	SWITCH, TACTILE (SOUND FIELD-GENRE)	
S119	1-762-751-11	SWITCH, TACTILE (SOUND FIELD-MODE)	
S123	1-762-751-11	SWITCH, TACTILE (SOUND FIELD-ON/OFF)	
S135	1-762-751-11	SWITCH, TACTILE (<)	
S136	1-762-751-11	SWITCH, TACTILE (∧)	
S137	1-762-751-11	SWITCH, TACTILE (>)	
S140	1-762-751-11	SWITCH, TACTILE (SET UP)	
S141	1-762-751-11	SWITCH, TACTILE (CURSOR MODE)	
S142	1-762-751-11	SWITCH, TACTILE (MEMORY)	
S143	1-762-751-11	SWITCH, TACTILE (FM MODE)	
S144	1-762-751-11	SWITCH, TACTILE (TUNING +)	
S145	1-762-751-11	SWITCH, TACTILE (TUNING -)	
S147	1-762-751-11	SWITCH, TACTILE (∨)	
*****			
*	1-670-000-11	TUNER BOARD *****	
		< CAPACITOR >	
C1	1-162-207-31	CERAMIC 22PF 5% 50V	
C2	1-126-961-11	ELECT 2.2uF 20% 50V	
C3	1-126-960-11	ELECT 1uF 20% 50V	
C4	1-162-306-11	CERAMIC 0.01uF 20% 16V	
C5	1-162-291-31	CERAMIC 560PF 10% 50V	
C6	1-164-068-11	CERAMIC 82PF 5% 50V	
C7	1-164-062-11	CERAMIC 47PF 5% 50V	
C381	1-164-159-11	CERAMIC 0.1uF 50V	
C382	1-161-494-00	CERAMIC 0.022uF 30% 25V	
		< CONNECTOR >	
CNS304	1-564-721-11	PIN, CONNECTOR (SMALL TYPE) 5P	
CNS305	1-774-289-11	PIN, CONNECTOR (PC BOARD) 15P	
		< IC >	
IC1	8-759-450-86	IC BU1922	
		< COIL >	
L1	1-410-521-11	INDUCTOR 100uH	
		< RESISTOR >	
R1	1-247-807-31	CARBON 100 5% 1/4W	
R2	1-247-807-31	CARBON 100 5% 1/4W	
R3	1-249-385-11	CARBON 2.2 5% 1/6W F	
		< VIBRATOR >	
X1	1-579-900-21	VIBRATOR, CRYSTAL (4.33MHz)	
*****			

VIDEO

VOLUME

Ref. No.	Part No.	Description	Remark		
*	1-670-003-11	VIDEO BOARD *****			
		< CAPACITOR >			
C201	1-126-964-11	ELECT 10uF	20%	50V	
C202	1-126-964-11	ELECT 10uF	20%	50V	
C203	1-126-964-11	ELECT 10uF	20%	50V	
C204	1-126-964-11	ELECT 10uF	20%	50V	
C205	1-162-215-31	CERAMIC 47PF	5%	50V	
C206	1-162-215-31	CERAMIC 47PF	5%	50V	
C207	1-162-215-31	CERAMIC 47PF	5%	50V	
C208	1-126-964-11	ELECT 10uF	20%	50V	
C209	1-164-159-11	CERAMIC 0.1uF		50V	
C210	1-164-159-11	CERAMIC 0.1uF		50V	
C211	1-164-159-11	CERAMIC 0.1uF		50V	
C212	1-164-159-11	CERAMIC 0.1uF		50V	
C213	1-126-933-11	ELECT 100uF	20%	16V	
C214	1-126-933-11	ELECT 100uF	20%	16V	
		< CONNECTOR >			
* CNS210	1-564-720-11	PIN, CONNECTOR (SMALL TYPE) 4P			
CNS211	1-784-733-11	CONNECTOR, FFC 11P			
CNS212	1-784-731-11	CONNECTOR, FFC 9P			
		< DIODE >			
D201	8-719-911-19	DIODE 1SS119			
D202	8-719-911-19	DIODE 1SS119			
		< IC >			
IC201	8-759-529-20	IC NJM2296D			
IC202	8-759-701-65	IC NJM79M05FA			
		< JACK >			
J201	1-766-399-11	JACK, PIN 3P (VIDEO1 VIDEO OUT, VIDEO IN/ MONITOR VIDEO OUT)			
J202	1-766-400-11	JACK, PIN 2P (VIDEO2 VIDEO OUT, VIDEO IN)			
J203	1-766-400-11	JACK, PIN 2P (TV/LD VIDEO IN, DVD VIDEO IN)			
J204	1-563-330-11	JACK (S-LINK CTRL A1)			
		< RESISTOR >			
R201	1-247-804-11	CARBON 75	5%	1/4W	
R202	1-247-804-11	CARBON 75	5%	1/4W	
R203	1-247-804-11	CARBON 75	5%	1/4W	
R204	1-247-804-11	CARBON 75	5%	1/4W	
R205	1-247-804-11	CARBON 75	5%	1/4W	
R206	1-247-804-11	CARBON 75	5%	1/4W	
R207	1-247-804-11	CARBON 75	5%	1/4W	

\*\*\*\*\*

Ref. No.	Part No.	Description	Remark		
*	1-670-019-11	VOLUME BOARD *****			
		< CAPACITOR >			
C410	1-126-233-11	ELECT 22uF	20%	50V	
C411	1-126-233-11	ELECT 22uF	20%	50V	
C412	1-126-233-11	ELECT 22uF	20%	50V	
C413	1-162-199-31	CERAMIC 10PF	5%	50V	

Ref. No.	Part No.	Description	Remark		
C414	1-162-199-31	CERAMIC 10PF	5%	50V	
C415	1-162-199-31	CERAMIC 10PF	5%	50V	
C421	1-162-286-31	CERAMIC 220PF	10%	50V	
C422	1-162-286-31	CERAMIC 220PF	10%	50V	
C423	1-162-286-31	CERAMIC 220PF	10%	50V	
C460	1-126-233-11	ELECT 22uF	20%	50V	
C461	1-126-233-11	ELECT 22uF	20%	50V	
C462	1-126-233-11	ELECT 22uF	20%	50V	
C463	1-162-199-31	CERAMIC 10PF	5%	50V	
C464	1-162-199-31	CERAMIC 10PF	5%	50V	
C465	1-162-199-31	CERAMIC 10PF	5%	50V	
C471	1-162-286-31	CERAMIC 220PF	10%	50V	
C472	1-162-286-31	CERAMIC 220PF	10%	50V	
C473	1-162-286-31	CERAMIC 220PF	10%	50V	
		< CONNECTOR >			
CNP102	1-770-388-11	PIN, CONNECTOR (PC BOARD) 4P			
CNP103	1-564-721-11	PIN, CONNECTOR (SMALL TYPE) 5P			
* CNS402	1-564-726-11	PIN, CONNECTOR (SMALL TYPE) 10P			
		< IC >			
IC408	8-759-634-50	IC M5218AL			
IC409	8-759-634-50	IC M5218AL			
IC410	8-759-634-50	IC M5218AL			
		< RESISTOR >			
R110	1-249-411-11	CARBON 330	5%	1/4W	
R413	1-249-437-11	CARBON 47K	5%	1/4W	
R414	1-249-437-11	CARBON 47K	5%	1/4W	
R415	1-249-437-11	CARBON 47K	5%	1/4W	
R416	1-249-429-11	CARBON 10K	5%	1/4W	
R417	1-247-843-11	CARBON 3.3K	5%	1/4W	
R418	1-249-437-11	CARBON 47K	5%	1/4W	
R419	1-249-437-11	CARBON 47K	5%	1/4W	
R420	1-249-437-11	CARBON 47K	5%	1/4W	
R421	1-249-437-11	CARBON 47K	5%	1/4W	
R463	1-249-437-11	CARBON 47K	5%	1/4W	
R464	1-249-437-11	CARBON 47K	5%	1/4W	
R465	1-249-437-11	CARBON 47K	5%	1/4W	
R466	1-249-429-11	CARBON 10K	5%	1/4W	
R467	1-247-843-11	CARBON 3.3K	5%	1/4W	
R468	1-247-843-11	CARBON 3.3K	5%	1/4W	
R469	1-249-437-11	CARBON 47K	5%	1/4W	
R470	1-249-437-11	CARBON 47K	5%	1/4W	
R471	1-249-437-11	CARBON 47K	5%	1/4W	

< VARIABLE RESISTOR >

RV401 1-225-445-11 RES, VAR, CARBON 100KX6 (MASTER VOLUME)

\*\*\*\*\*

Ref. No.	Part No.	Description	Remark		
		MISCELLANEOUS *****			
6	1-769-904-11	WIRE (FLAT TYPE)(9 CORE)			
8	1-693-409-11	TUNER			
△ 14	1-769-744-11	CORD, POWER			
18	1-769-876-11	WIRE (FLAT TYPE)(7 CORE)			

The components identified by mark △ or dotted line with mark △ are critical for safety. Replace only with part number specified.

Ref. No.	Part No.	Description	Remark
71	1-773-163-11	WIRE (FLAT TYPE)(21 CORE)	
72	1-769-961-11	WIRE (FLAT TYPE)(11 CORE)	
109	1-773-285-11	WIRE (FLAT TYPE)(29 CORE)	
△ CNJ909	1-526-794-11	OUTLET, AC	
FL101	1-517-781-11	INDICATOR TUBE, FLUORESCENT	
Q505	8-729-209-15	TRANSISTOR 2SD2012	
Q506	8-749-010-25	IC MN2488-OPY-M	
Q507	8-749-010-26	IC MP1620-OPY-M	
Q555	8-729-209-15	TRANSISTOR 2SD2012	
Q556	8-749-010-25	IC MN2488-OPY-M	
Q557	8-749-010-26	IC MP1620-OPY-M	
Q605	8-729-209-15	TRANSISTOR 2SD2012	
Q606	8-749-010-25	IC MN2488-OPY-M	
Q607	8-749-010-26	IC MP1620-OPY-M	
Q705	8-729-209-15	TRANSISTOR 2SD2012	
Q706	8-749-010-25	IC MN2488-OPY-M	
Q707	8-749-010-26	IC MP1620-OPY-M	
Q755	8-729-209-15	TRANSISTOR 2SD2012	
Q756	8-749-010-25	IC MN2488-OPY-M	
Q757	8-749-010-26	IC MP1620-OPY-M	
△ T901	1-431-889-11	TRANSFORMER, POWER	

\*\*\*\*\*

ACCESSORIES & PACKING MATERIALS

\*\*\*\*\*

1-475-726-12	REMOTE COMMANDER (RM-LJ301)
1-501-374-11	ANTENNA, LOOP
3-864-441-11	MANUAL, INSTRUCTION (RM-LJ301)(ENGLISH)
3-864-441-21	MANUAL, INSTRUCTION (RM-LJ301) (FRENCH,SPANISH)
3-864-441-41	MANUAL, INSTRUCTION (RM-LJ301)(DUTCH, SWEDISH,GERMAN,ITALIAN,PORTUGUESE)
3-864-483-71	MANUAL, INSTRUCTION (ENGLISH,FRENCH,DUTCH,SWEDISH)
3-864-483-81	MANUAL, INSTRUCTION (GERMAN,SPANISH,ITALIAN,PORTUGUESE)
4-210-990-01	LID (RM-LJ301), BATTERY CASE (For RM-LJ301)
4-212-261-01	COVER (FRONT)(For RM-LJ301)

\*\*\*\*\*

\*\*\*\*\*  
HARDWARE LIST  
\*\*\*\*\*

#1	7-685-885-09	SCREW +BVTT 4X16 (S)
#2	7-685-646-79	SCREW +BVTP 3X8 TYPE2 IT-3
#3	7-685-132-19	SCREW +BTP 2.6X5 TYPE2 N-S

The components identified by mark △ or dotted line with mark △ are critical for safety. Replace only with part number specified.