

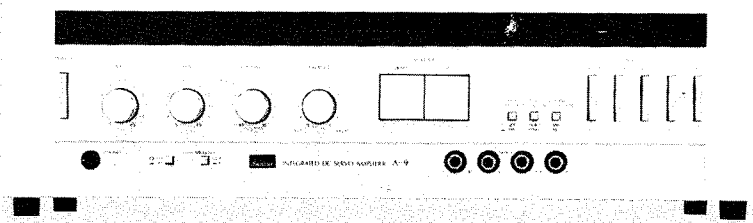
34

# SERVICE MANUAL

## MASTER INTERATED AMPLIFIER

# SANSUI A-9/A-7/A-5

A900, A700



### • SPECIFICATIONS

#### <A-9>

- Power output**  
Min. RMS, both channels driven, from 20 to 20,000 Hz, with no more than 0.05 % total harmonic distortion  
65 watts per channel into 8 ohms
- Load impedance** . . . . . 8 ohms
- Total harmonic distortion**  
..... less than 0.05 % at or below rated min. RMS power output
- Frequency response (at 1 watt)**  
..... 5 to 70,000 Hz  
+0.5 dB, -2 dB
- RIAA curve deviation (PHONO, 20 Hz to 20 kHz)**  
..... +0.5 dB, -0.5 dB
- Input sensitivity and impedance (1 kHz, for rated power output)**  
PHONO-MM . . . . . 2.5 mV/47 kilohms  
(Max. input capability; 200 mV at 1 kHz, less than 0.1 % total harmonic distortion)  
PHONO-MC . . . . . 0.1 mV/10 ohms  
AUX, TUNER, TAPE PLAY  
..... 150 mV/47 kilohms
- Output level (1 kHz)**  
TAPE REC . . . . . 130 mV into 47 kilohms
- Hum and noise (short-circuit, A-network)**  
PHONO-MM . . . . . 80 dB  
PHONO-MC . . . . . 60 dB  
AUX, TUNER, TAPE PLAY  
..... 95 dB
- Power requirements**  
Power voltage . . . . . 120/220/240 V  
(50/60 Hz)  
For USA and Canada  
..... 120 V (60 Hz)
- Power consumption** 240 watts Rated  
355 watts Maximum
- UL, CSA Model** . . . . . 240 watts 295 VA Rated
- Dimensions** . . . . . 430 mm (16-15/16") W  
132 mm (5-1/4") H  
241 mm (9-1/2") D
- Weight** . . . . . 7.1 kg (15.7 lbs) net  
8.0 kg (17.6 lbs) packed

#### <A-7>

- Power output**  
Min. RMS, both channels driven, from 20 to 20,000 Hz, with no more than 0.05 % total harmonic distortion  
45 watts per channel into 8 ohms
- Load impedance** . . . . . 8 ohms
- Total harmonic distortion**  
..... less than 0.05 % at or below rated min. RMS power output
- Frequency response (at 1 watt)**  
..... 5 to 60,000 Hz  
+0.5 dB, -2 dB
- RIAA curve deviation (PHONO, 20 Hz to 15 kHz)**  
..... +0.5 dB, -0.5 dB
- Input sensitivity and impedance (1 kHz, for rated power output)**  
PHONO . . . . . 2.5 mV/47 kilohms  
(Max. input capability; 180 mV at 1 kHz, less than 0.1 % total harmonic distortion)  
AUX, TUNER, TAPE PLAY  
..... 150 mV/47 kilohms  
MIC . . . . . 2 mV/10 kilohms
- Output level (1 kHz)**  
TAPE REC . . . . . 130 mV into 47 kilohms
- Hum and noise (short-circuit, A-network)**  
PHONO . . . . . 80 dB  
AUX, TUNER, TAPE PLAY  
..... 95 dB

to be continued ▶



SANSUI ELECTRIC CO., LTD.

<A-7>

**Power requirements**  
 Power voltage . . . . 120/220/240 V  
 (50/60 Hz)  
 For USA and Canada  
 . . . . . 120 V (60 Hz)  
 Power consumption 180 watts 230 VA Rated  
 265 watts Maximum  
**Dimensions** . . . . . 430 mm (16-15/16") W  
 132 mm (5-1/4") H  
 247 mm (9-3/4") D  
**Weight** . . . . . 5.8 kg (12.8 lbs) net  
 6.7 kg (14.8 lbs) packed

<A-5>

**Power output**  
 Min. RMS, both channels driven, from 40 to 20,000 Hz,  
 with no more than 0.08 % total harmonic distortion  
 25 watts per channel into 8 ohms  
**Load impedance** . . . . 8 ohms  
**Total harmonic distortion**  
 . . . . . less than 0.08 % at or below rated  
 min. RMS power output  
**Frequency response (at 1 watt)**  
 . . . . . 10 to 50,000 Hz  
 +0.5 dB, -2 dB  
**RIAA curve deviation (PHONO, 30 Hz to 15 kHz)**  
 . . . . . +0.5 dB, -0.5 dB

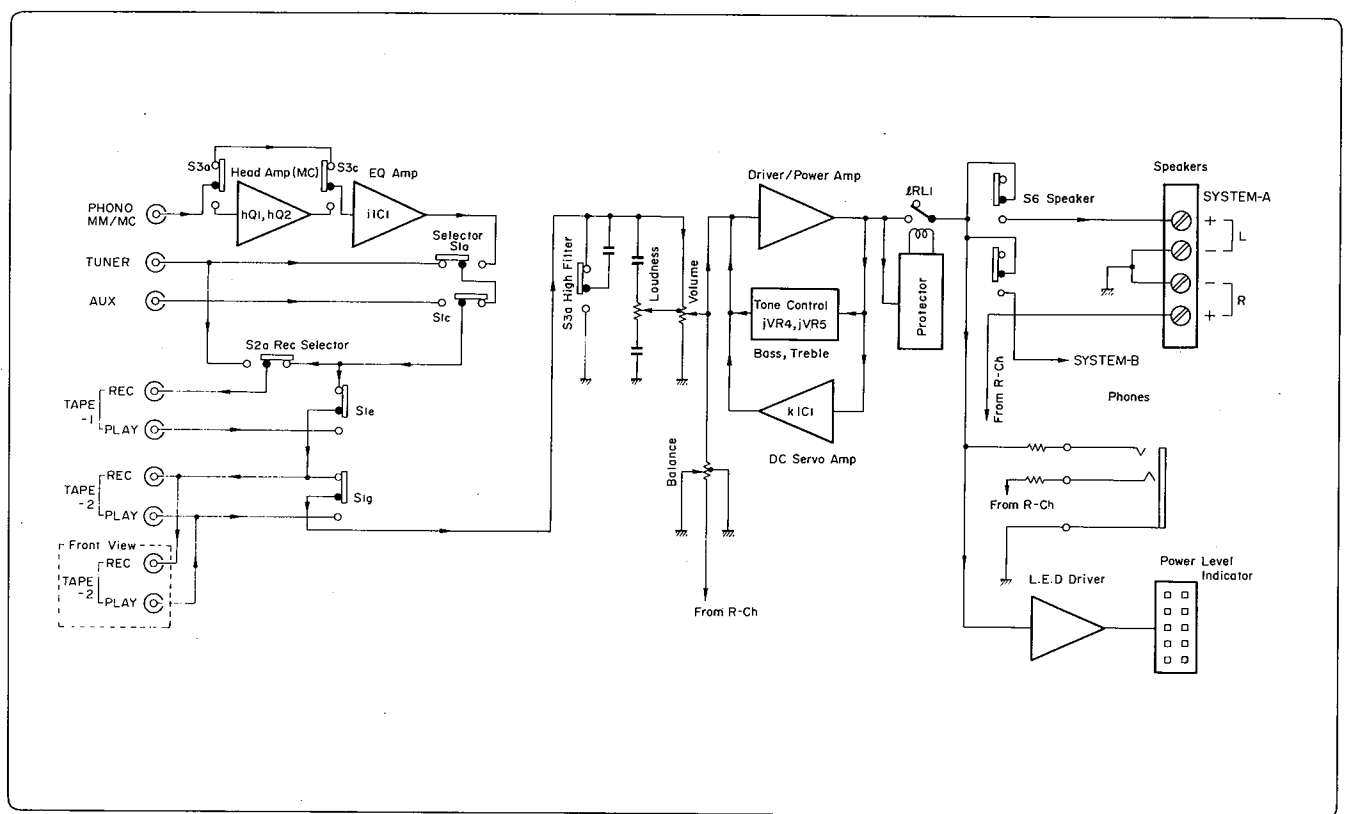
**Input sensitivity and impedance (1 kHz, for rated power output)**  
 PHONO . . . . . 2.5 mV/47 kilohms  
 (Max. input capability; 150 mV at 1 kHz, less than  
 0.1 % total harmonic distortion)  
 TAPE/AUX, TUNER, TAPE PLAY  
 . . . . . 150 mV/47 kilohms  
**Output level and impedance (1 kHz)**  
 TAPE REC . . . . . 130 mV into 47 kilohms  
**Hum and noise (short-circuit, A-network)**  
 PHONO . . . . . 75 dB  
 TAPE/AUX, TUNER, TAPE PLAY  
 . . . . . 90 dB

**Power requirements**  
 Power voltage . . . . 120/220/240 V  
 (50/60 Hz)  
 For USA and Canada  
 . . . . . 120 V (60 Hz)  
 Power consumption 110 watts 170 VA Rated  
 160 watts Maximum  
**Dimensions** . . . . . 430 mm (16-15/16") W  
 132 mm (5-1/4") H  
 247 mm (9-3/4") D  
**Weight** . . . . . 4.5 kg (9.9 lbs) net  
 5.4 kg (119.9 lbs) packed

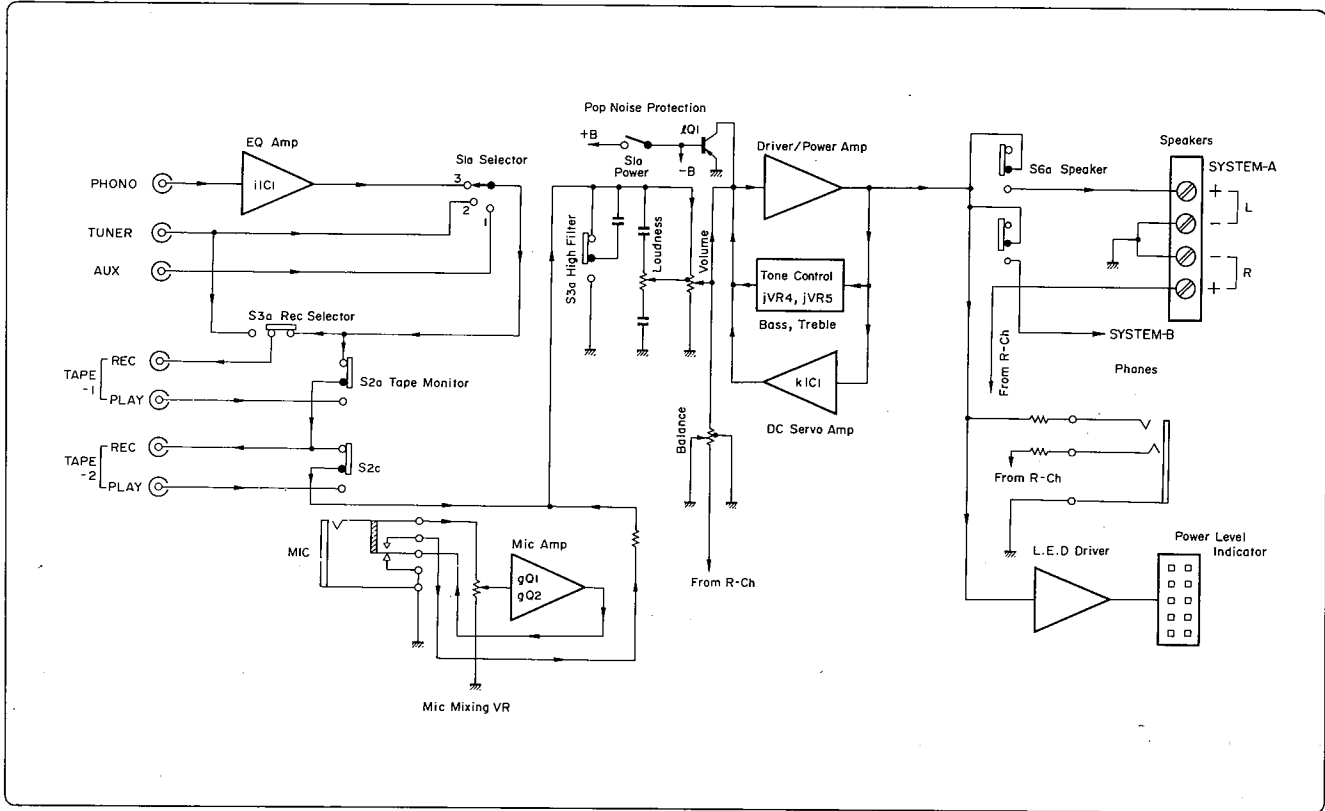
\* Design and specifications subject to changes without notice for improvements.

# 1. BLOCK DIAGRAM

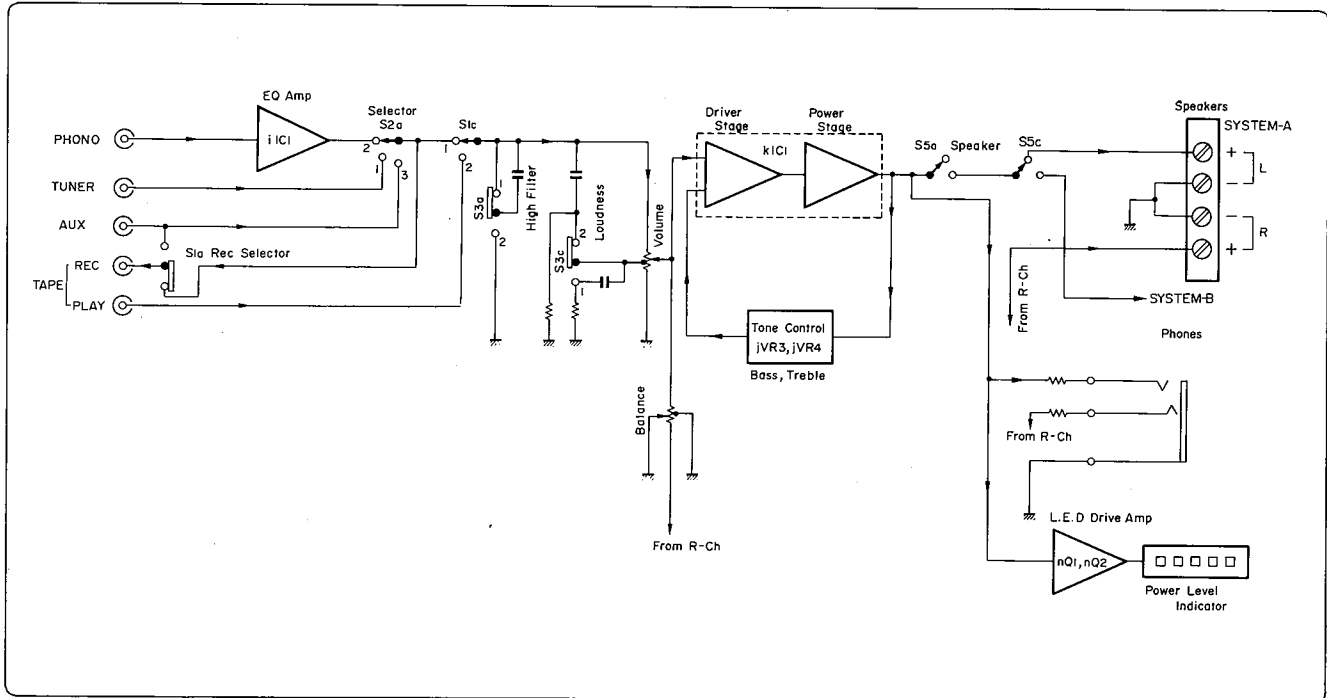
## 1-1. A-9



1-2. A-7



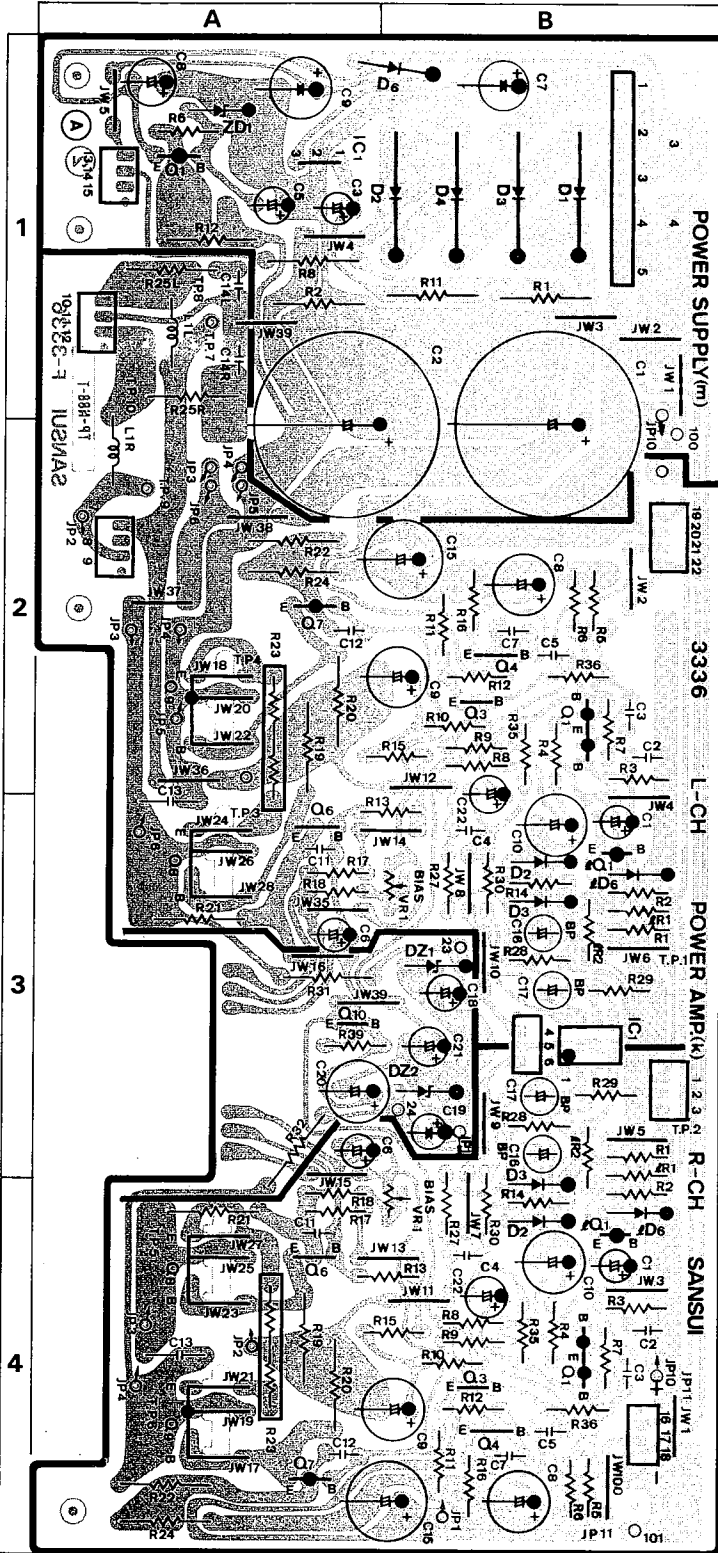
1-3. A-5



# 2. PARTS LOCATION & PARTS LIST

## 2-1. F-3336 Power Amp. Circuit Board (Stock No. 07091601 = A-9/00615501 = A-7)

Component Side



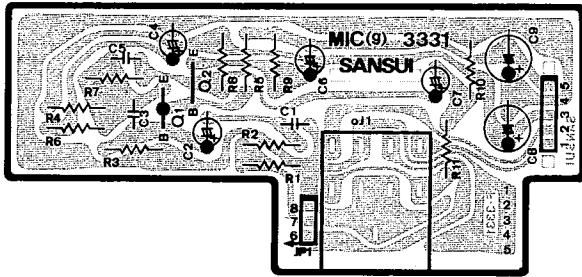
• Since some of capacitors and resistors are omitted from parts lists in this Service Manual, refer to the Common Parts List for capacitors & resistors which was appended previously to each Sansui Manual.

Parts List		
Parts No.	Stock No.	Description
• Transistor		
kQ1	03602900, 1	2SA798 F, G
kQ3	03067400, 1	2SC1845 F, E
kQ4	03064001, 2	2SC1904 B, V
kQ10	03067400, 1	2SC1845 F, E
• IC		
kIC1	03607700	NJM4558D
• Diode		
kD2	03117600	1S2473D
kD3	03117600	1S2473D
• Zener Diode		
kDZ1	03179200	RD15E-B
kDZ2	03179200	RD15E-B
kR23	00091700	0.33Ω x 2 5W C.R.
kR25	00179000	10Ω 1W N.I.R.
kC13	08680400	10000pF 500V C.C.
kC16	08451500	10μF 25V E.B.
kC17	08450900	4.7μF 16V E.B.
kL1	42102900	Inductor 1.5μH
kVR1	07261500	Semi Variable Resistor 500Ω (B), bias adj.
• Transistor		
mQ1	03033101, 2	2SB528 D, E
• IC		
mic1	07208200	μPC78M24H
• Diode		
mD1	03115300	30D-2
mD2	03115300	30D-2
mD3	03115300	30D-2
mD4	03115300	30D-2
mD6	03117700	10E-2
• Zener Diode		
mDZ1	03165100	RD24E-B
mR1	00183900	5.6kΩ 1W N.I.R.
mR2	00183900	5.6kΩ 1W N.I.R.
mR11	00183200	470Ω 1W N.I.R.
<A-9 Only>		
• Transistor		
kQ6	07206400, 1	2SD600K E, F
kQ7	07206300, 1	2SB631K E, F
kR31	00182800	3.9kΩ 1W N.I.R.
kR32	00182800	3.9kΩ 1W N.I.R.
mC1	08300300	6800μF 55V E.C.
mC2	08300300	6800μF 55V E.C.
<A-7 Only>		
• Transistor		
kQ6	07263500, 1	2SD600 E, F
kQ7	07263400, 1	2SB631 E, F
• Transistor		
IQ1	03010900, 1	2SA992 F, E
• Diode		
ID6	03117600	1S2473D
mC1	00316000	4700μF 50V E.C.
mC2	00316000	4700μF 50V E.C.

2-2. F-3331 Mic Amp. Circuit Board

(Stock No. 07088501 = A-7)

Component Side



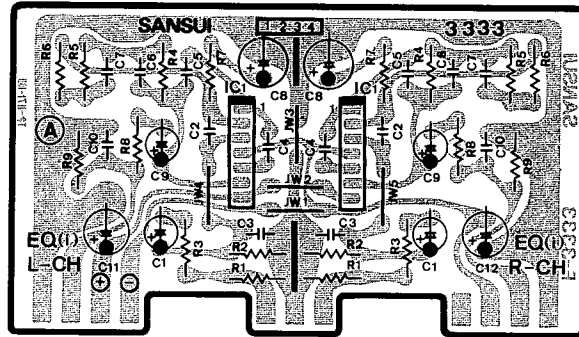
Parts List

Parts No.	Stock No.	Description
●Transistor		
gQ1	03010900, 1	2SA992 F, E
gQ2	07225400, 1	2SC2320L F, G
oJ1	46078200	MIC Jack

2-3. F-3333 EQ Amp. Circuit Board

(Stock No. 07088701 = A-9/A-7)

Component Side

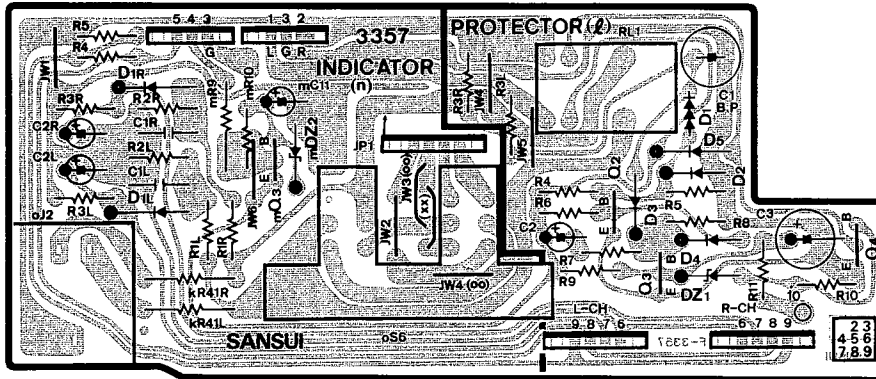


Parts List

Parts No.	Stock No.	Description
●IC		
iC1	07197400	M5214L
iC2	08441400	10μF 25 V E.C.

2-4. F-3357 Protector Circuit Board (Stock No. 07092601 = A-9/00615901 = A-7)

Component Side

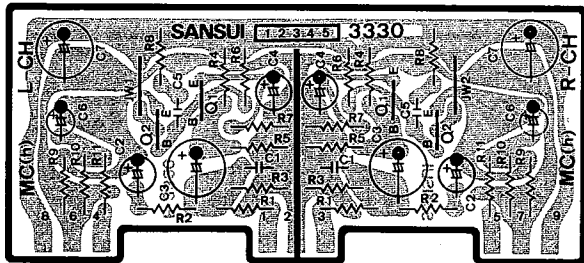


Parts List

Parts No.	Stock No.	Description	Parts No.	Stock No.	Description
●Diode			ID4	07176400	1S2473HS
nD1	07225500	1N60		03111800	1S1588
oS6	07252400	Push Switch, speaker	ID5	03117700	10E-2
oJ2	46078100	Head Phone Jack	●Zener Diode		
<A-9 Only>			IDZ1	03163900	RD6.2E-B
●Transistor			IC1	08460100	100μF 6.3V E.B.
IQ2	07194800, 1	2SC1815 Y, GR	IRL1	07192300	Relay
IQ3	07194800, 1	2SC1815 Y, GR	●Transistor		
IQ4	07194800, 1	2SC1815 Y, GR	mQ3	03067400, 1	2SC1845 F, E
●Diode			●Zener Diode		
ID1	03401700	Varistor MV-103	mDZ2	03165100	RD24E-B
ID2	07176400	1S2473HS			
	03111800	1S1588			
ID3	07176400	1S2473HS			
	03111800	1S1588			

2-5. F-3330 MC Amp. Circuit Board (Stock No. 07082501 = A-9)

Component Side

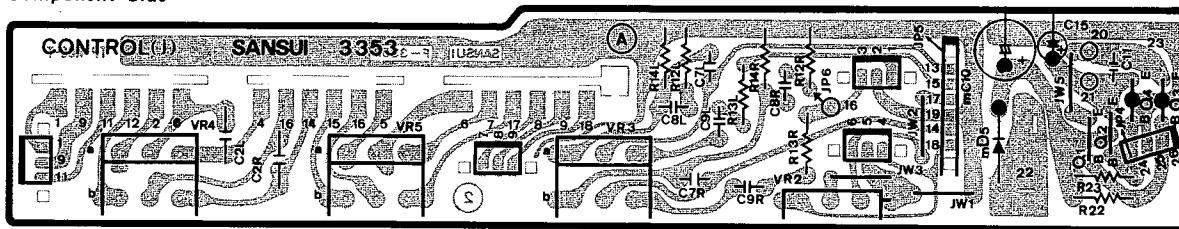


Parts List

Parts No.	Stock No.	Description
● Transistor		
hQ1	03068500, 1	2SC1844 F, E
hQ2	07225400, 1	2SC2320L F, G
hc3	00324000	100μF 25 V E.C.

2-6. A-3353 Control Volume Circuit Board (Stock No. 07092201 = A-9)

Component Side

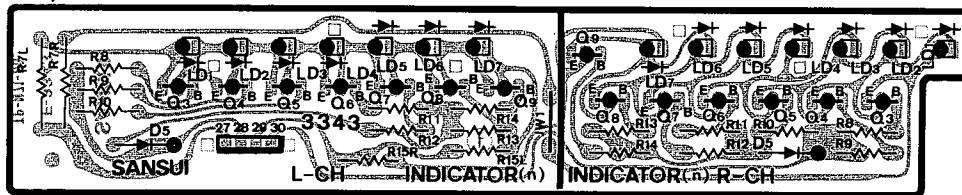


Parts List

Parts No.	Stock No.	Description	Parts No.	Stock No.	Description
● Transistor			● Diode		
jQ1	07206900, 1	2SC2001 M, L	jVR4	07253400 (46097300)	Variable Resistor 50 kΩ x 2, bass Type-I (II)
jQ2	07206900, 1	2SC2001 M, L	jVR5	07253400 (46097300)	Variable Resistor 50 kΩ x 2, treble Type I (II)
jQ3	07206800, 1	2SA952 M, L	mD5	03117700	10E-2
jQ4	07206800, 1	2SA952 M, L			
jVR2	10054701 (46121700)	Variable Resistor 250 kΩ (B), balance Type I (II)			
jVR3	10156301 (46121800)	Variable Resistor 20 kΩ (B) x 2, loudness Type I (II)			

2-7. F-3343 Power Ind. Circuit Board (Stock No. 00617501 = A-5)

Component Side

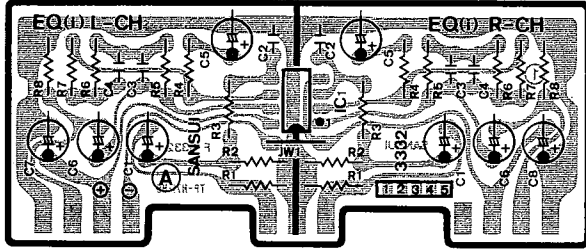


Parts List

Parts No.	Stock No.	Description	Parts No.	Stock No.	Description
● Transistor			nLD1	03193700	Light Emitting Diode SEL1110S
nQ3	03012500, 1	2SA786 Q, R	nLD2	03193700	Light Emitting Diode SEL1110S
nQ4	03012500, 1	2SA786 Q, R	nLD3	03193700	Light Emitting Diode SEL1110S
nQ5	03012500, 1	2SA786 Q, R	nLD4	03193700	Light Emitting Diode SEL1110S
nQ6	03012500, 1	2SA786 Q, R	nLD5	03193700	Light Emitting Diode SEL1110S
nQ7	03012500, 1	2SA786 Q, R	nLD6	03193700	Light Emitting Diode SEL1110S
nQ8	03012500, 1	2SA786 Q, R	nLD7	03193700	Light Emitting Diode SEL1110S
nQ9	03012500, 1	2SA786 Q, R	nR7	00183800	560Ω 1W N.I.R.
● Diode					
nD5	07176400	1S2473HS			

2-8. F-3332 EQ Amp. Circuit Board (Stock No. 00616801 = A-5)

Component Side

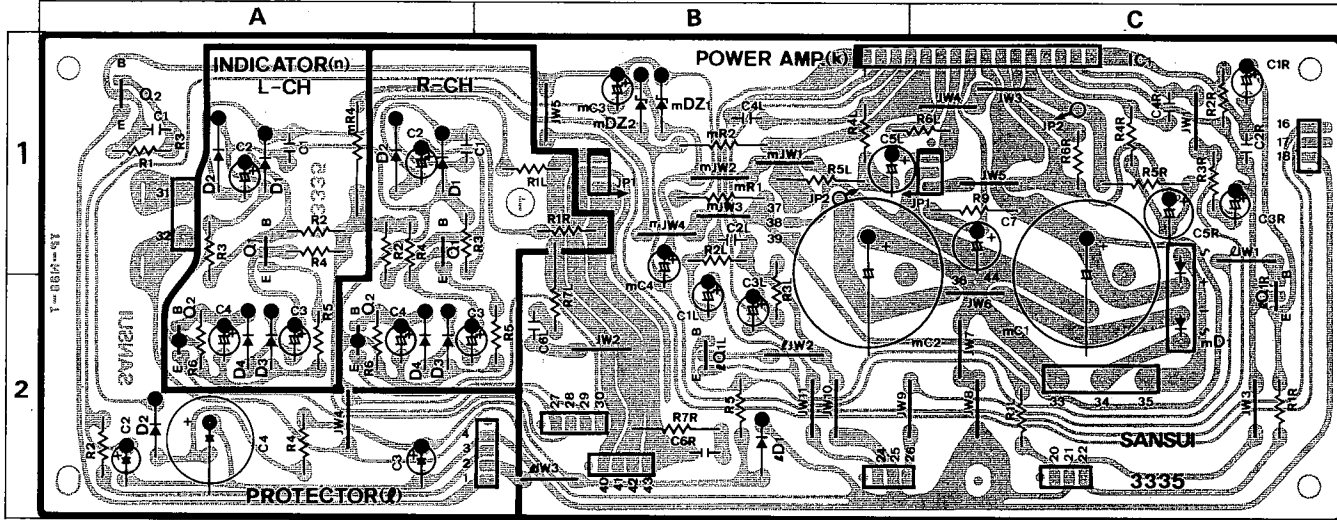


Parts List

Parts No.	Stock No.	Description
•IC		
iIC1	07208900	NJM4558D

2-9. F-3335 Main Amp. Circuit Board (Stock No. 00616901 = A-5)

Component Side



Parts List

Parts No.	Stock No.	Description
•IC		
kIC1	07254400	STK465A
kr6	07253600	0.33Ω 5W
•Diode		
mD1	03117000	RB-152
•Zener Diode		
mDZ1	03179800	RD20E-B
mDZ2	03179800	RD20E-B
mR4	00188400	270Ω 2W N.I.R.

Parts No.	Stock No.	Description
mC1	08301000	3300μF 42 V E.C.
mC2	08301000	3300μF 42 V E.C.
•Transistor		
nQ1	03068301, 2	2SC2320 E, F
nQ2	03012700, 1	2SA999 E, F
•Diode		
nD1	03117600	1S2473D
nD2	07225500	1N60
nD3	03117600	1S2473D
nD4	03117600	1S2473D

• Note: The circuit board, F-3334, F-3359, F-3337, F-3358, F-3339, F-3350, F-3351, F-3352, F-3354, F-3355, F-3356, F-3346, F-3347, F-3348, F-3349, F-3340, F-3341, F-3342, F-3344, F-3345 are not supplied as the assembled. However, the individual parts on the circuit board are provided by orders.

2-10. F-3334 Tone Control Circuit Board

(A-9/A-7/A-5)

Parts List

Parts No.	Stock No.	Description
jc5	07216800	68000 pF 25 V C.C.

2-11. F-3359 Mic Volume Control Circuit Board

(A-7)

Parts List

Parts No.	Stock No.	Description
gVR1	07253500	Variable Resistor 20 kΩ, mic level

## 2-12. F-3337 Bias Compensating Circuit Board

(A-9/A-7)

## Parts List

Parts No.	Stock No.	Description
•Transistor kQ5	03068301, 2	2SC2320 E, F

## 2-13. F-3358 Speaker Terminal Circuit Board (A-9/A-7)

## Parts List

Parts No.	Stock No.	Description
	07183300	8P Terminal Board, speaker

## 2-14. F-3339 Power SW. Circuit Board (A-9/A-7/A-5)

## Parts List

Parts No.	Stock No.	Description
pS1	11319000	Push Switch, power
<A-9 Only> pC1	00386000	10000pF 150V C.C.
pF1	07189100 07188700	Fuse 5A 250V (100V ~ 120V) Fuse 2.5A 250V (220V ~ 240V)
<A-7 Only> pF1	07189000 07188600	Fuse 4A 250V (100V ~ 120V) Fuse 2A 250V (220V ~ 240V)
<A-5 Only> pF1	07188800 07188500	Fuse 3A 250V (100V ~ 120V) Fuse 1.5A 250V (220V ~ 240V)

## 2-15. F-3350 Input Circuit Board (A-9)

## Parts List

Parts No.	Stock No.	Description
•Diode nD2 nD3	03401500 03401500	Varistor MV12 Varistor MV12
oS1 oS2 oS3	07252900 07258500 07258600	Push Switch, input selector Push Switch, rec selector Slide Switch, MC/MM selector
	07249100	Input Terminal Board 4P

## 2-16. F-3351 Input Source Ind. L.E.D. Circuit Board

(A-9)

## Parts List

Parts No.	Stock No.	Description
	07581900	LED Holder
nLD1 nLD2 nLD3 nLD4 nLD5	07243200 07243200 07243200 07243200 07243200	Light Emitting Diode GL-5HD5 Light Emitting Diode GL-5HD5 Light Emitting Diode GL-5HD5 Light Emitting Diode GL-5HD5 Light Emitting Diode GL-5HD5

## 2-17. F-3352 Tape Terminal Circuit Board (A-9)

## Parts List

Parts No.	Stock No.	Description
	07264500	Input Terminal 2P

## 2-18. F-3354 Phono Input Terminal Circuit Board

(A-9)

## Parts List

Parts No.	Stock No.	Description
	07249000	Input Terminal 2P

## 2-19. F-3355 Motor Volume SW. Circuit Board (A-9)

## Parts List

Parts No.	Stock No.	Description
oS4 oS5	11907000 11907000	Push Switch Push Switch

## 2-20. F-3356 Volume Control Circuit Board (A-9)

## Parts List

Parts No.	Stock No.	Description
jVR1	07242100	Variable Resistor 150 k $\Omega$ (B) x 2, volume

## 2-21. F-3346 Input Selector Circuit Board (A-7)

## Parts List

Parts No.	Stock No.	Description
oS1 oS2 oS3	07253000 07252800 07252600	Push Switch, input selector Push Switch, tape mon. Push Switch, rec selector
	07249100	Input Terminal Board 4P, tuner, aux, tape 1
	07249000	Input Terminal Board 2P, phono

## 2-22. F-3347 Input Source Ind. L.E.D. Circuit Board

(A-7)

## Parts List

Parts No.	Stock No.	Description
	07581900	LED Holder
nLD1 nLD2 nLD3 nLD4 nLD5	07243200 07243200 07243200 07243200 07243200	Light Emitting Diode GL-5HD5 Light Emitting Diode GL-5HD5 Light Emitting Diode GL-5HD5 Light Emitting Diode GL-5HD5 Light Emitting Diode GL-5HD5



**2-23. F-3348 Tape Terminal Circuit Board (A-7)**

**Parts List**

Parts No.	Stock No.	Description
	07264500	Input Terminal Board 2P, tape 2

**2-24. F-3349 Volume Control Circuit Board (A-7)**

**Parts List**

Parts No.	Stock No.	Description
jVR1	07257400	Variable Resistor 150kΩ x 2, volume
jVR2	10054701 (46121700)	Variable Resistor 250kΩ (B), balance Type I (II)
jVR3	10156301 (46121800)	Variable Resistor 20kΩ (B) x 2, loudness Type I (II)
jVR4	07253400 (46097300)	Variable Resistor 50kΩ x 2, bass Type I (II)
jVR5	07253400 (46097300)	Variable Resistor 50kΩ x 2, treble Type I (II)

**2-25. F-3340 Input Terminal & SW. Circuit Board (A-5)**

**Parts List**

Parts No.	Stock No.	Description
oS1	07252500	Push Switch, tape mon.
oS2	07253000	Switch, input selector
oS3	07252600	Push Switch, high-filter
	07249100	Input Terminal Board 4P, tape
	07249000	Input Terminal Board 2P, phono

**2-26. F-3341 Input Source Ind. L.E.D. Circuit Board (A-5)**

**Parts List**

Parts No.	Stock No.	Description
nLD8	07246200	Light Emitting Diode SEL1710K
nLD9	07246200	Light Emitting Diode SEL1710K
nLD10	07246200	Light Emitting Diode SEL1710K
nLD11	07246200	Light Emitting Diode SEL1710K

**2-27. F-3342 Control Volume Circuit Board (A-5)**

**Parts List**

Parts No.	Stock No.	Description
jVR1	07257400	Variable Resistor 150 kΩ x 2, volume
jVR2	10054701 (46121700)	Variable Resistor 250 kΩ (B), balance Type I (II)
jVR3	07253400 (46097300)	Variable Resistor 50 kΩ, bass Type I (II)
jVR4	07253400 (46097300)	Variable Resistor 50 kΩ, treble Type I (II)

**2-28. F-3344 Headphone Jack & Speaker SW. Circuit Board (A-5)**

**Parts List**

Parts No.	Stock No.	Description
oS5	07252400	Push Switch, speaker
oJ2	46078100	Head Phone Jack

**2-29. F-3345 Speaker Terminal Circuit Board (A-5)**

**Parts List**

Parts No.	Stock No.	Description
	07183300	8P Terminal Board, speaker

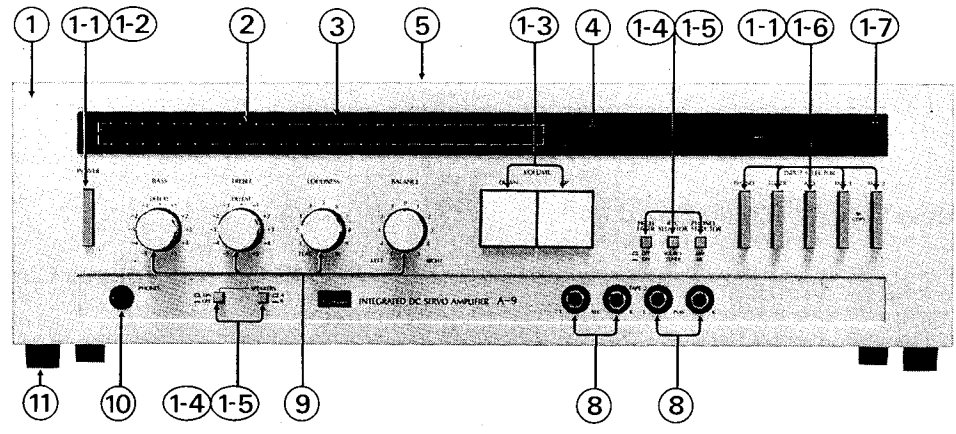
**● Abbreviations**

C.R. . . . .	Carbon Resistor	E.L. . . . .	Low Leak Electrolytic Capacitor
S.R. . . . .	Solid Resistor	E.B. . . . .	Bi-Polar Electrolytic Capacitor
Ce.R. . . . .	Cement Resistor	E.BL. . . . .	Low Leak Bi-Polar Electrolytic Capacitor
M.R. . . . .	Metal Film Resistor	Ta.C. . . . .	Tantalum Capacitor
F.R. . . . .	Fusing Resistor	F.C. . . . .	Film Capacitor
N.I.R. . . . .	Non-Inflammable Resistor	M.P. . . . .	Metalized Paper Capacitor
C.C. . . . .	Ceramic Capacitor	P.C. . . . .	Polystyrene Capacitor
C.T. . . . .	Ceramic Capacitor, Temperature Compensation	G.C. . . . .	Gimmic Capacitor
E.C. . . . .	Electrolytic Capacitor		

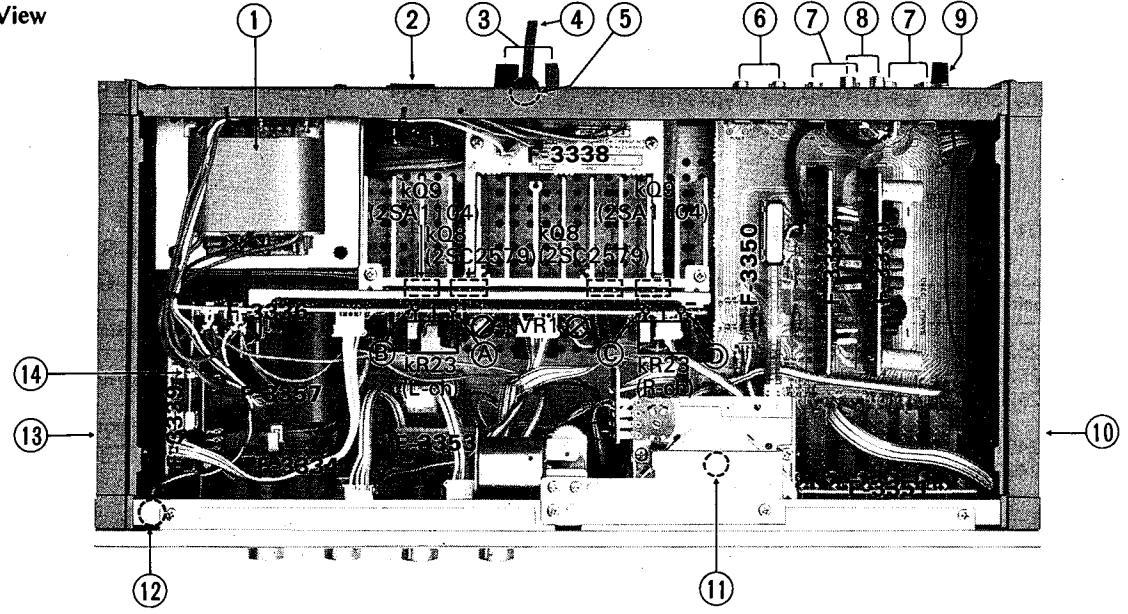
### 3. OTHER PARTS

3-1. A-9

A) Front View



B) Top View



**Parts List <Front View>**

Parts No.	Stock No.	Description
2	07253800	Light Emitting Diode (12-point)
3	07680100	Scale Plate
4	07600300	Indicator Film
5	07601300	Bonnet
8	07264500	2P Input Terminal, tape 2
10	46078100	Head Phone Jack
11	07601200	Leg

**<Silver Model>**

1	07679120	Front Panel Ass'y <XX>
	07780900	Front Panel Ass'y <UL>
1-1	07580300	Push Knob, power
1-2	07628000	Push Knob Guide
1-3	07690400	Push Knob Ass'y, volume
1-4	07580100	Push Knob, speaker, high-filter
1-5	07580900	Push Knob Guide
1-6	07581300	Push Knob Guide
1-7	07738500	Smoked Plate <XX>
	07780700	Smoked Plate <UL>
9	07614200	Knob, bass, treble, loudness, balance (I)
	07777600	Knob, bass, treble, loudness, balance (II)

**<Black Model>**

1	07679310	Front Panel Ass'y <XX>
	07781000	Front Panel Ass'y <UL>
1-1	07580500	Push Knob, power
1-2	07595700	Push Knob Guide
1-3	07663200	Push Knob Ass'y, volume
1-4	07580200	Push Knob, speaker, high-filter
1-5	07580800	Push Knob Guide
1-6	07581200	Push Knob Guide

Parts No.	Stock No.	Description
1-7	07672200	Smoked Plate <XX>
	07780800	Smoked Plate <UL>
9	07614500	Knob, bass, treble, loudness, balance (I)
	07777800	Knob, bass, treble, loudness, balance (II)

**Parts List <Top View>**

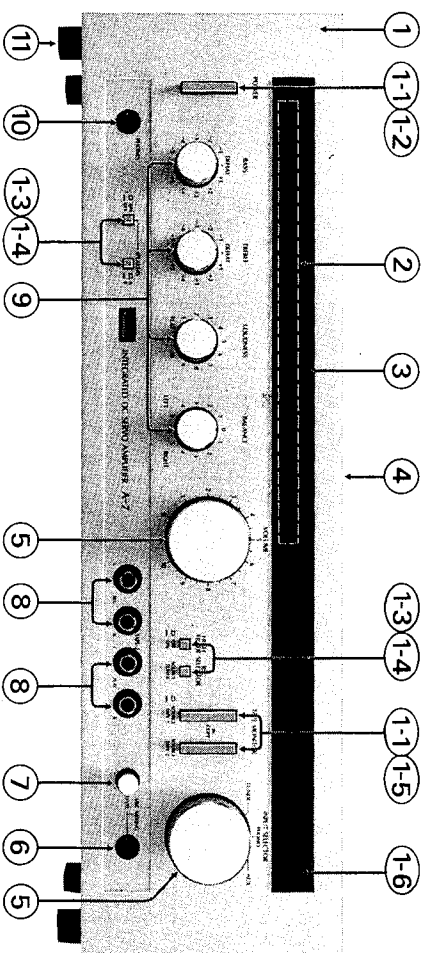
Parts No.	Stock No.	Description
1	15001701	Power Transformer
2	07189600	AC Outlet
3	07183300	Speaker Terminal
4	38004700	Power Supply Cord
5	39106000	Strain Relief
6	07249100	4P Input Terminal, tuner, tv/aux
7	07249100	4P Input Terminal, tape1, tape2
8	07249000	2P Input Terminal, phono
9	22301500	Ground Terminal
10	07602010	Side Panel (R)
11	04006600	Pilot Lamp 8V 150mA
12	07261100	Pilot Lamp 8V 150mA
13	07601910	Side Panel (L)
14	07189100	Fuse 250V 5A (100V ~ 120V)
	07188700	Fuse 250V 2.5A (220V ~ 240V)

**•Power Transistor**

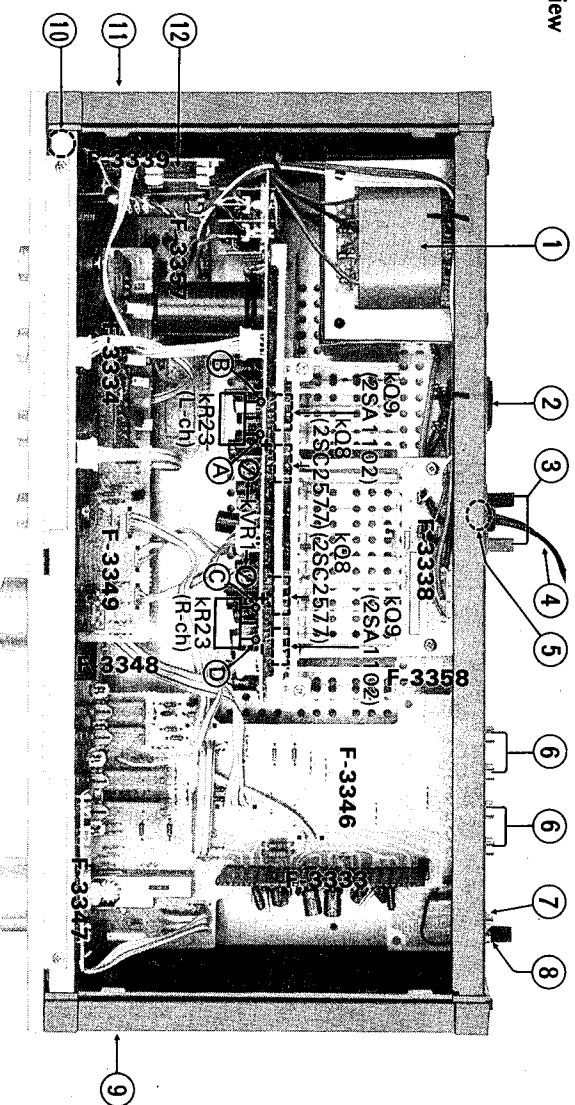
kO8	07259100, 1	2SC2579LB O, Y
kO9	07258900, 1	2SA1104LB O, Y

3-2. A-7

A) Front View



B) Top View



Parts List <Front View>

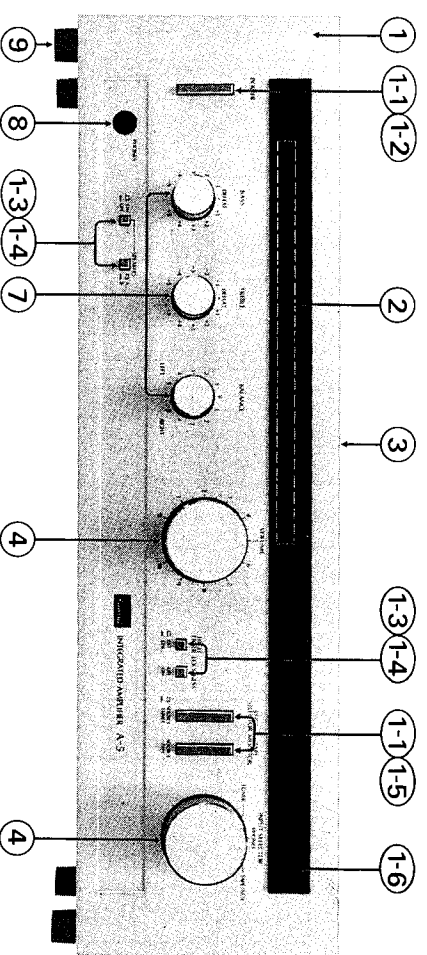
Parts No.	Stock No.	Description
2	07253800	Light Emitting Diode (12-point)
3	07690300	Scale Plate
4	07601300	Bonnet
6	46078200	MIC Jack
8	07264500	Input Terminal Board 2P, tape 2
10	46078100	Head Phone Jack
11	07601200	Leg
<Silver Model>		
1	07679420	Front Panel Assy <XX>
1-1	07781100	Front Panel Assy <UL>
1-2	07580300	Push Knob, power, tape mon.
1-3	07580100	Push Knob speaker, high-filter, rec
1-4	07580900	Push Knob Guide
1-5	07581300	Push Knob Guide
1-6	07738500	Smoked Plate <XX>
5	07614100	Knob, volume, input-selector
7	07614300	Knob, mic level
9	07614200	Knob, bass, treble, loudness, balance (I)
	07777600	Knob, bass, treble, loudness, balance (II)
<Black Model>		
1	07679610	Front Panel Assy <XX>
1-1	07781200	Front Panel Assy <UL>
1-2	07580500	Push Knob, power, tape mon.
1-3	07580200	Push Knob, speaker, high-filter, rec.
1-4	07580800	Push Knob Guide
1-5	07581200	Push Knob Guide

Parts List <Top View>

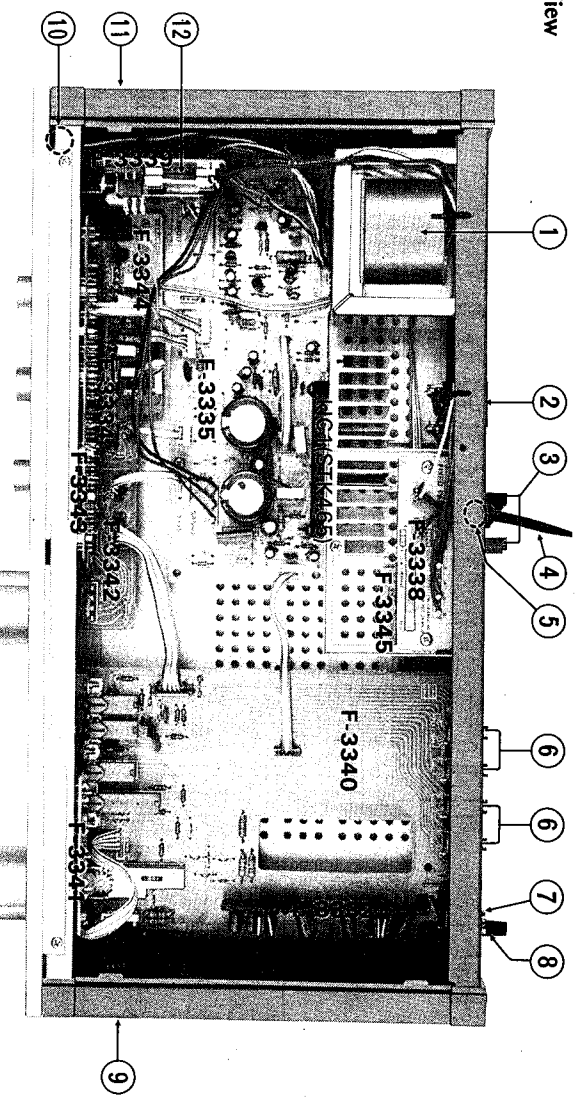
Parts No.	Stock No.	Description
1-6	07672200	Smoked Plate <XX>
	07780800	Smoked Plate <UL>
5	07624700	Knob, volume, input-selector
7	07680600	Knob, mic level
9	07614500	Knob, bass, treble, loudness, balance (I)
	07777800	Knob, bass, treble, loudness, balance (II)
<Power Transistor>		
1	15001801	Power Transformer
2	07189600	AC Outlet
3	07183300	Speaker Terminal
4	38004700	Power Supply Cord
5	39106000	Strain Relief
6	07249100	4P Input Terminal, tuner, aux, tape
7	07249000	4P Input Terminal, phono
8	22301500	Ground Terminal
9	07602010	Side Panel (R)
10	07261100	Pilot Lamp 8V 150mA
11	07601910	Side Panel (L)
12	07189000	Fuse 250V 4A (100V ~ 120V)
	07672200	Fuse 250V 2A (220V ~ 240V)
	07188800	Fuse 250V 1.5A (220V ~ 240V)
	07259000, 1	2SC2577LB O, Y
	K09	2SA1102LB O, Y

3-3. A-5

A) Front View



B) Top View



Parts List <Front View>

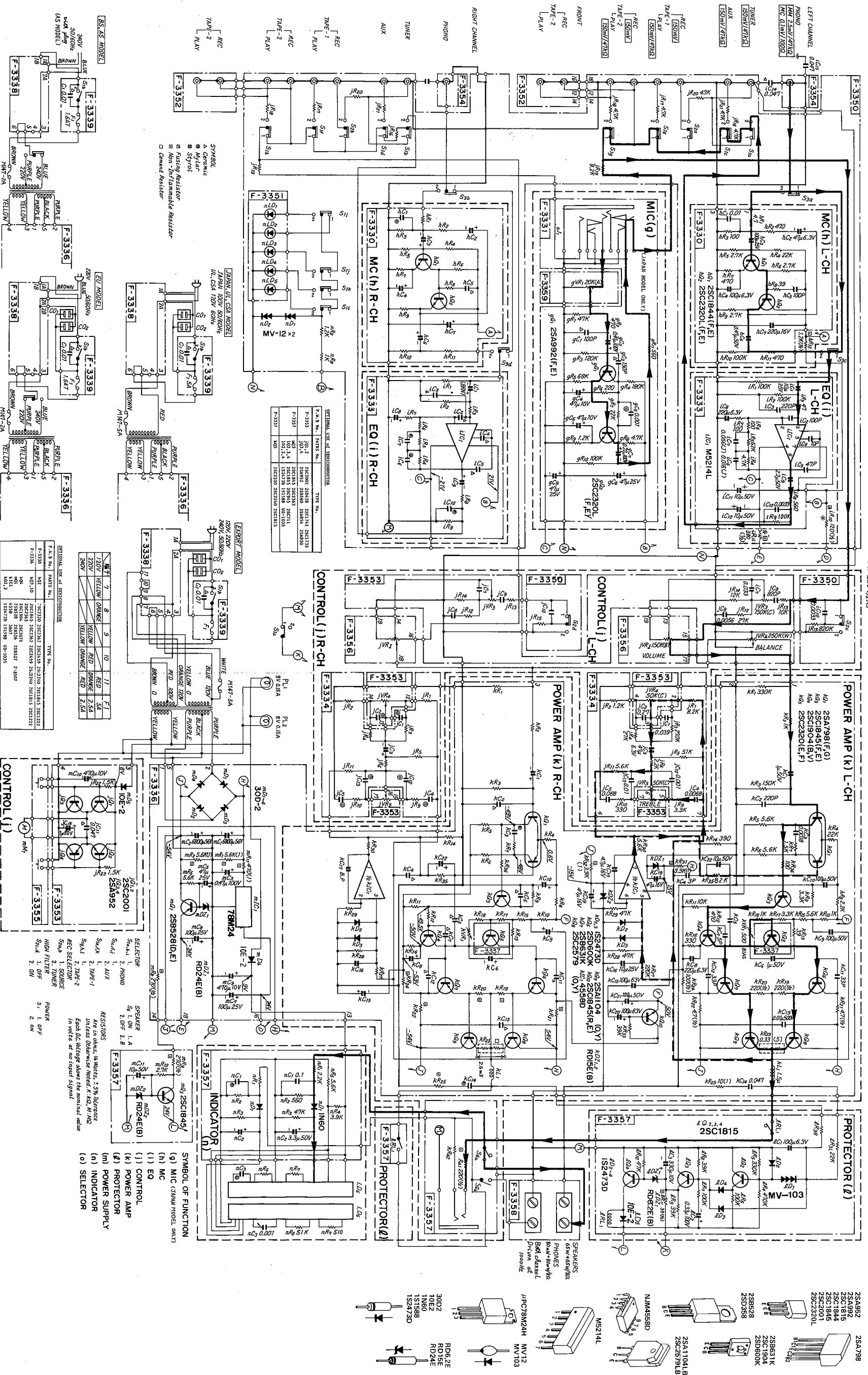
Parts No.	Stock No.	Description
2	07680500	Scale Plate
3	07601300	Bonnet
8	46078100	Head Phone Jack
9	07601200	Leg
<Silver Model>		
1	07679720	Front Panel Assy <XX>
1-1	07781300	Front Panel Assy <UL>
1-2	07580300	Push Knob, power
1-3	07628000	Push Knob speaker, high-filter, loudness
1-4	07580900	Push Knob Guide
1-5	07581300	Push Knob Guide
1-6	07738500	Smoked Plate <XX>
4	07780700	Smoked Plate <UL>
7	07614100	Knob, volume, input-selector
	07614200	Knob, bass, treble, balance (I)
	07777600	Knob, bass, treble, balance (II)
<Black Model>		
1	07679910	Front Panel Assy <XX>
1-1	07781400	Front Panel Assy <UL>
1-2	07580500	Push Knob, power
1-3	07580200	Push Knob, speaker, high-filter, loudness
1-4	07580900	Push Knob Guide
1-5	07581200	Push Knob Guide
1-6	07780800	Smoked Plate <UL>

Parts List <Top View>

Parts No.	Stock No.	Description
4	07624700	Knob, volume, input-selector
7	07614500	Knob, bass, treble, balance (I)
	07777800	Knob, bass, treble, balance (II)
<Power Transistor>		
1	15001901	Power Transformer
2	07189600	AC Outlet
3	07183300	Speaker Terminal
4	38004700	Power Supply Cord
5	39106000	Strain Relief
6	07249100	Input Terminal Board 4P, tape
7	07249000	Input Terminal Board 2P, phono
8	22301500	Ground Terminal
9	07602010	Side Panel (R)
10	07261100	Pilot Lamp 8V 150mA
11	07601910	Side Panel (L)
12	07189000	Fuse 250V 3A (100V ~ 120V)
	07672200	Fuse 250V 2A (220V ~ 240V)
	07188800	Fuse 250V 1.5A (220V ~ 240V)

# 4. SCHEMATIC DIAGRAM 4.1. A9

\* JAPAN MODEL ONLY  
 JAPAN MODEL ONLY  
 JAPAN MODEL ONLY



A-9/A-7/A-5 A-9/A-7/A-5

\* A presentation of the specifications and descriptions of the modifications and improvements of the product is subject to change without notice for improvement.

Signal Line  
 --- N.F.B Loop

**SYMBOL OF FUNCTION**  
 (g) MIC (JAPAN MODEL ONLY)  
 (h) MC  
 (i) EQ  
 (j) CONTROL  
 (k) POWER AMP  
 (l) PROTECTOR  
 (m) POWER SUPPLY  
 (n) INDICATOR  
 (o) SELECTOR

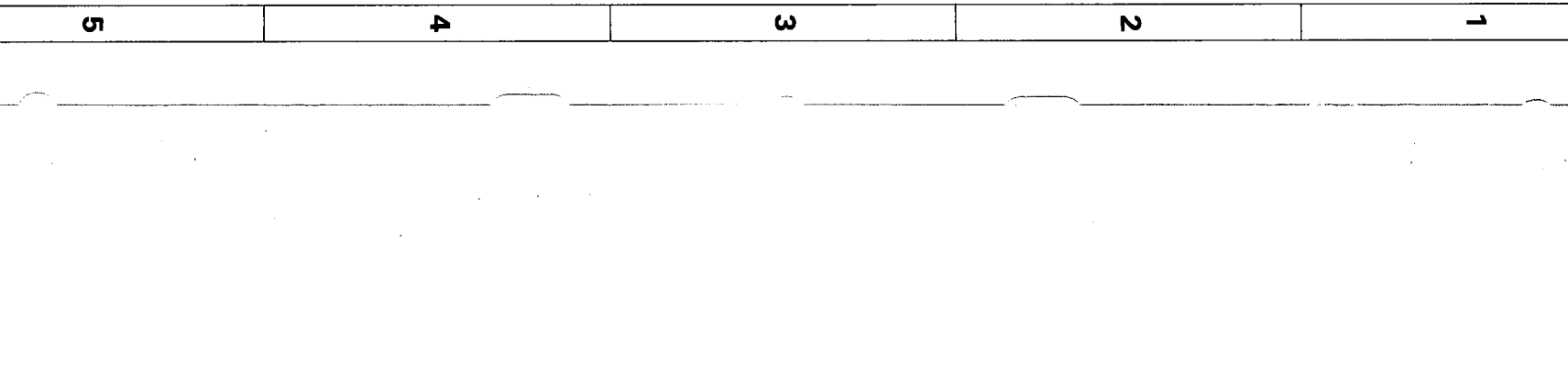
**RESISTORS**  
 Any in ohms, % tolerance  
 Unless otherwise noted, K: KΩ, M: MΩ  
 Each Ω, Ω/10, Ω/100, Ω/1000 value  
 in notes at no input signal

**OPTIONAL USE OF SUBSTITUTES**

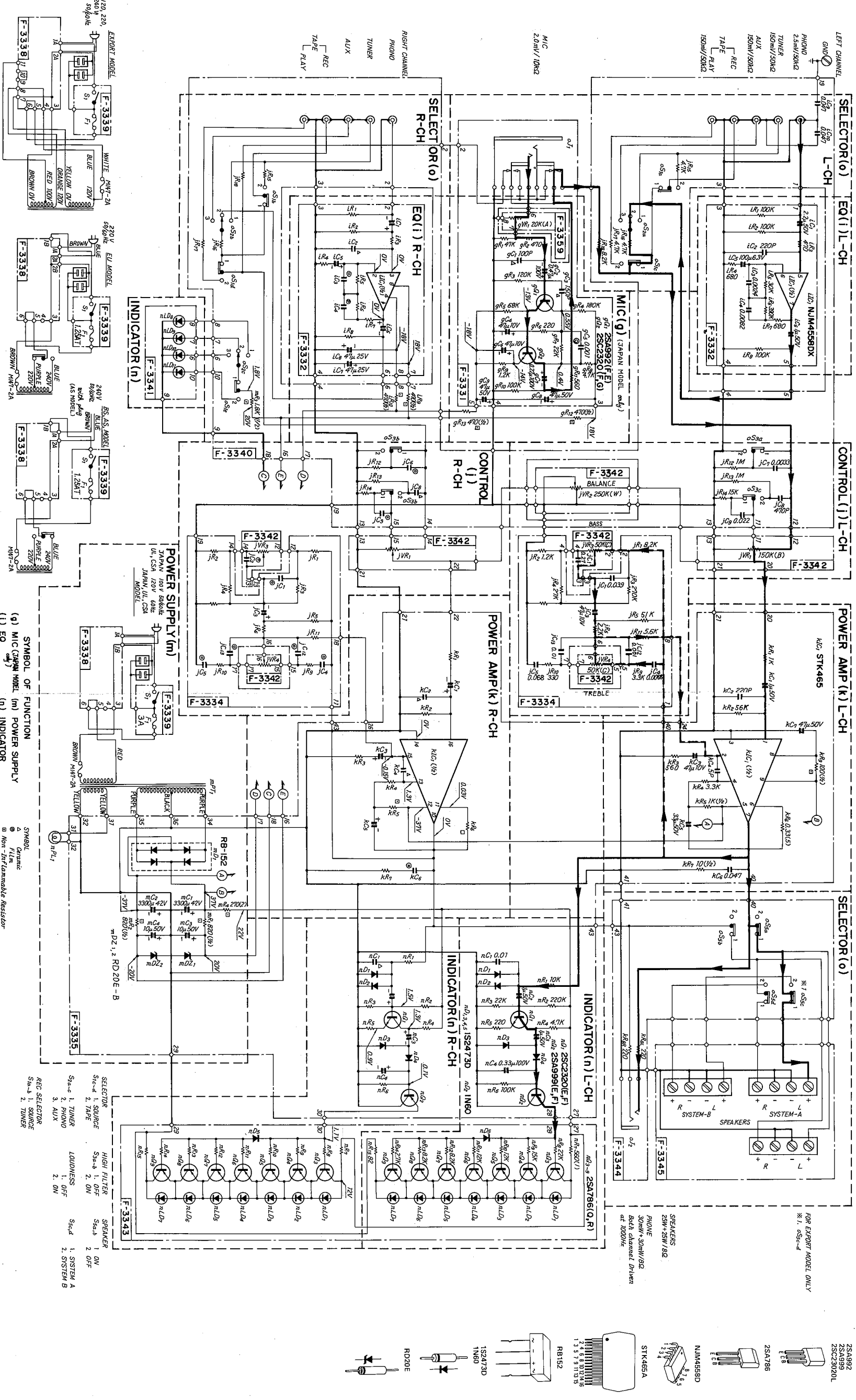
F.P.A. No.	PARTS No.	TYPE No.
F-3352	J01.3	254798 (F)
F-3353	J01.4	254799 (F)
F-3354	J01.5	254800 (F)
F-3355	J01.6	254801 (F)
F-3356	J01.7	254802 (F)
F-3357	J01.8	254803 (F)
F-3358	J01.9	254804 (F)
F-3359	J01.10	254805 (F)
F-3360	J01.11	254806 (F)
F-3361	J01.12	254807 (F)
F-3362	J01.13	254808 (F)
F-3363	J01.14	254809 (F)
F-3364	J01.15	254810 (F)
F-3365	J01.16	254811 (F)
F-3366	J01.17	254812 (F)
F-3367	J01.18	254813 (F)
F-3368	J01.19	254814 (F)
F-3369	J01.20	254815 (F)
F-3370	J01.21	254816 (F)
F-3371	J01.22	254817 (F)
F-3372	J01.23	254818 (F)
F-3373	J01.24	254819 (F)
F-3374	J01.25	254820 (F)
F-3375	J01.26	254821 (F)
F-3376	J01.27	254822 (F)
F-3377	J01.28	254823 (F)
F-3378	J01.29	254824 (F)
F-3379	J01.30	254825 (F)
F-3380	J01.31	254826 (F)
F-3381	J01.32	254827 (F)
F-3382	J01.33	254828 (F)
F-3383	J01.34	254829 (F)
F-3384	J01.35	254830 (F)
F-3385	J01.36	254831 (F)
F-3386	J01.37	254832 (F)
F-3387	J01.38	254833 (F)
F-3388	J01.39	254834 (F)
F-3389	J01.40	254835 (F)
F-3390	J01.41	254836 (F)
F-3391	J01.42	254837 (F)
F-3392	J01.43	254838 (F)
F-3393	J01.44	254839 (F)
F-3394	J01.45	254840 (F)
F-3395	J01.46	254841 (F)
F-3396	J01.47	254842 (F)
F-3397	J01.48	254843 (F)
F-3398	J01.49	254844 (F)
F-3399	J01.50	254845 (F)
F-3400	J01.51	254846 (F)

**OPTIONAL USE OF SUBSTITUTES**

F.P.A. No.	PARTS No.	TYPE No.
F-3352	J01.3	254798 (F)
F-3353	J01.4	254799 (F)
F-3354	J01.5	254800 (F)
F-3355	J01.6	254801 (F)
F-3356	J01.7	254802 (F)
F-3357	J01.8	254803 (F)
F-3358	J01.9	254804 (F)
F-3359	J01.10	254805 (F)
F-3360	J01.11	254806 (F)
F-3361	J01.12	254807 (F)
F-3362	J01.13	254808 (F)
F-3363	J01.14	254809 (F)
F-3364	J01.15	254810 (F)
F-3365	J01.16	254811 (F)
F-3366	J01.17	254812 (F)
F-3367	J01.18	254813 (F)
F-3368	J01.19	254814 (F)
F-3369	J01.20	254815 (F)
F-3370	J01.21	254816 (F)
F-3371	J01.22	254817 (F)
F-3372	J01.23	254818 (F)
F-3373	J01.24	254819 (F)
F-3374	J01.25	254820 (F)
F-3375	J01.26	254821 (F)
F-3376	J01.27	254822 (F)
F-3377	J01.28	254823 (F)
F-3378	J01.29	254824 (F)
F-3379	J01.30	254825 (F)
F-3380	J01.31	254826 (F)
F-3381	J01.32	254827 (F)
F-3382	J01.33	254828 (F)
F-3383	J01.34	254829 (F)
F-3384	J01.35	254830 (F)
F-3385	J01.36	254831 (F)
F-3386	J01.37	254832 (F)
F-3387	J01.38	254833 (F)
F-3388	J01.39	254834 (F)
F-3389	J01.40	254835 (F)
F-3390	J01.41	254836 (F)
F-3391	J01.42	254837 (F)
F-3392	J01.43	254838 (F)
F-3393	J01.44	254839 (F)
F-3394	J01.45	254840 (F)
F-3395	J01.46	254841 (F)
F-3396	J01.47	254842 (F)
F-3397	J01.48	254843 (F)
F-3398	J01.49	254844 (F)
F-3399	J01.50	254845 (F)
F-3400	J01.51	254846 (F)







**SYMBOL OF FUNCTION**

(g) MIC (JAPAN MODEL) POWER SUPPLY  
 (i) EQ (JAPAN MODEL) POWER SUPPLY  
 (j) CONTROL  
 (k) POWER

**SYMBOL**

△ Ceramic  
 ⊖ Non-Inductance Resistor  
 □ Current Resistor

**RESISTORS**

1/4 W or other W, 5% tolerance  
 unless otherwise noted: K, Ω, M, kΩ  
 in text or on input signal

**REC. SELECTOR**

Sec. 1. SOURCE  
 Sec. 2. TUNER

**LOUDNESS**

1. OFF  
 2. ON

**SPEAKER**

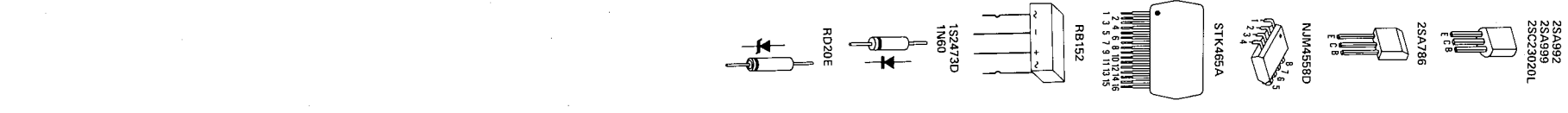
1. SYSTEM A  
 2. SYSTEM B

Signal Line  
 --- N.F.B Loop

7	8	9	10	11	F
RED	ORANGE	YELLOW	ORANGE	RED	1.5A
7	8	9	10	11	F
YELLOW	ORANGE	YELLOW	ORANGE	RED	1.5A
240V					

OPTIONAL USE OF SEMICONDUCTOR

P.N. & No.	PARTS No.	TYPE No.
F-3335	25C130 25C14 25C15 25C16 25C17 25C18 25C19 25C20 25C21 25C22 25C23 25C24 25C25 25C26 25C27 25C28 25C29 25C30 25C31 25C32 25C33 25C34 25C35 25C36 25C37 25C38 25C39 25C40 25C41 25C42 25C43 25C44 25C45 25C46 25C47 25C48 25C49 25C50 25C51 25C52 25C53 25C54 25C55 25C56 25C57 25C58 25C59 25C60 25C61 25C62 25C63 25C64 25C65 25C66 25C67 25C68 25C69 25C70 25C71 25C72 25C73 25C74 25C75 25C76 25C77 25C78 25C79 25C80 25C81 25C82 25C83 25C84 25C85 25C86 25C87 25C88 25C89 25C90 25C91 25C92 25C93 25C94 25C95 25C96 25C97 25C98 25C99 25C100	
F-3343	25D1 25D2 25D3 25D4 25D5 25D6 25D7 25D8 25D9 25D10 25D11 25D12 25D13 25D14 25D15 25D16 25D17 25D18 25D19 25D20 25D21 25D22 25D23 25D24 25D25 25D26 25D27 25D28 25D29 25D30 25D31 25D32 25D33 25D34 25D35 25D36 25D37 25D38 25D39 25D40 25D41 25D42 25D43 25D44 25D45 25D46 25D47 25D48 25D49 25D50 25D51 25D52 25D53 25D54 25D55 25D56 25D57 25D58 25D59 25D60 25D61 25D62 25D63 25D64 25D65 25D66 25D67 25D68 25D69 25D70 25D71 25D72 25D73 25D74 25D75 25D76 25D77 25D78 25D79 25D80 25D81 25D82 25D83 25D84 25D85 25D86 25D87 25D88 25D89 25D90 25D91 25D92 25D93 25D94 25D95 25D96 25D97 25D98 25D99 25D100	



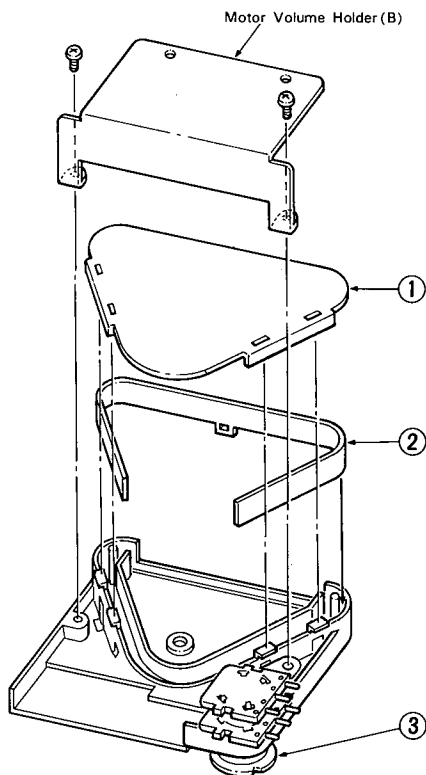
## 5. ADJUSTMENTS (See Top View on page 9 ~ 10)

- Notes: 1. Level Volume . . . . . Minimum  
 2. Room Temperature . . 18°C ~ 28°C  
 3. For this adjustment, run the unit for more than 3 minutes after the power is switched ON.

### 5-1. F-3336 Driver Circuit Adjustment (A-9/7)

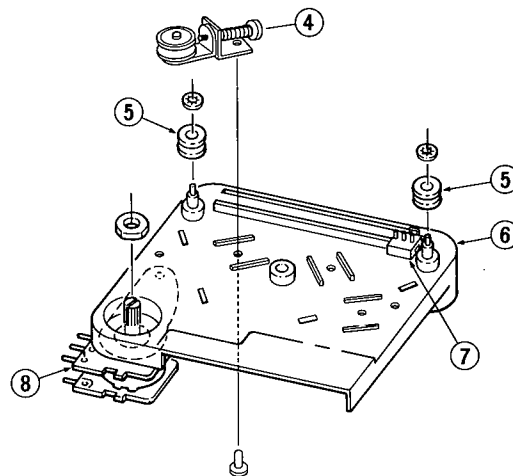
STEP	SUBJECT	MEASURE OUTPUT	ADJUST	ADJUST FOR
1.	Bias current Adj. (L-ch)	Between Point A & Point B	kVR1 (L-ch)	DC 2.6mV
2.	Bias current Adj. (R-ch)	Between Point C & Point D	kVR1 (R-ch)	DC 2.6mV

## 6. EXPLODED VIEW OF VOLUME CONTROL MECHANISM (A-9)



### Parts List

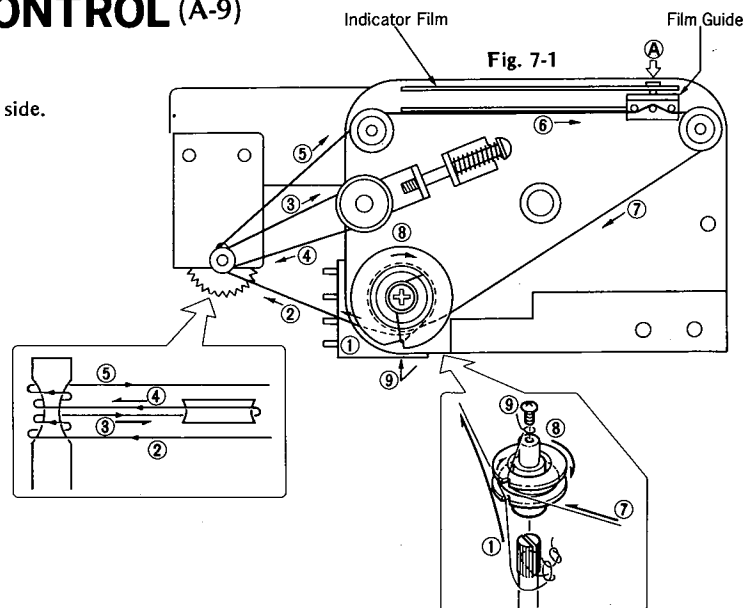
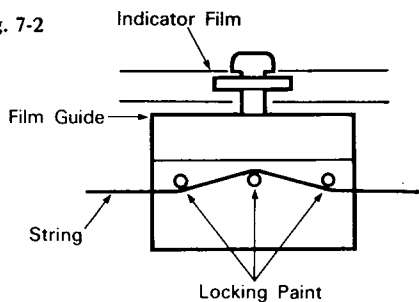
Parts No.	Stock No.	Description
1	07600400	Housing Cover
2	07600300	Indicator Film
3	07600500	Pulley D-17
4	07600910	Tension Ass'y
5	07233400	Pulley (Small)
6	07600210	Housing
7	07600600	Film Guide
8	07242100	Varialbe Resistor 150 kΩ (B) x 2
	07234000	Motor Unit (B)



## 7. THREADING OF VOLUME CONTROL (A-9)

1. Turn the volume control fully clockwise.
2. Thread the string in numerical order from 1 to 9 as Fig. 7-1.
3. Position the indicator film & the film guide at end of right side.
4. Lock the string to the film guide with locking paint.  
(See Fig. 7-2).

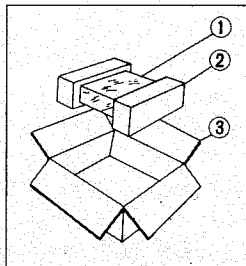
Fig. 7-2





## 8. PACKING LIST

Parts No.	Stock No.	Description
1	91263810	Vinyl Cover
2	07641000	Styrofoam Packing
3	07680900	Carton Case (A-9, Black)
	07681000	Carton Case (A-9, Silver)
	07681700	Carton Case (A-7, Black)
	07681800	Carton Case (A-7, Silver)
	07682000	Carton Case (A-5, Black)
	07682100	Carton Case (A-5, Silver)



## 9. ACCESSORY LIST

Stock No.	Description
07668400	Operating Instruction (A-9)
07668600	Operating Instruction (A-7)
07668800	Operating Instruction (A-5)



SANSUI ELECTRIC COMPANY LTD.:  
 SANSUI ELECTRONICS CORPORATION:  
 SANSUI ELECTRONICS (U.K.) LTD.:  
 SANSUI ELECTRONICS G.M.B.H.:

14-1, Izumi 2-chome, Suginami-ku, Tokyo 168 Japan PHONE:(03) 323-1111/TELEX:232-2076  
 1250 Valley Brook Ave. Lyndhurst, N.J. 07071 U.S.A.  
 333 West Alondra Blvd. Gardena, California 90247 U.S.A.  
 3036 Koapaka St. Honolulu, Hawaii 96819 U.S.A.  
 Unit 10A, Lyon Industrial Estate, Rockware Avenue, Greenford, Middx UB6, OAA, England  
 Arabella center, 6 Frankfurt AM Main, Lyoner Strasse 44-48, West Germany